



US00D832638S

(12) **United States Design Patent** (10) **Patent No.:** **US D832,638 S**
Hiltenbrand et al. (45) **Date of Patent:** **** Nov. 6, 2018**

(54) **COOKING POT**

(71) Applicant: **KUHN RIKON AG**, Rikon Im Tösstal (CH)

(72) Inventors: **Valeria Hiltenbrand**, Winterthur (CH);
Nicole Wyss, Zürich (CH)

(73) Assignee: **Kuhn Rikon AG**, Rikon Im Tosstal (CH)

(**) Term: **15 Years**

(21) Appl. No.: **35/502,030**

(22) Filed: **Jun. 3, 2016**

(80) **Hague Agreement Data**

Int. Filing Date: **Jun. 3, 2016**

Int. Reg. No.: **DM/090953**

Int. Reg. Date: **Jun. 3, 2016**

Int. Reg. Pub. Date: **Dec. 9, 2016**

(51) **LOC (11) Cl.** **07-02**

(52) **U.S. Cl.**
USPC **D7/358**

(58) **Field of Classification Search**
USPC D7/354–361, 323, 391, 393, 402
CPC A47J 27/08; A47J 27/088; A47J 27/0804;
A47J 36/06; A47J 37/12; A23L 5/17;
B65D 45/00

See application file for complete search history.

(56) **References Cited**

U.S. PATENT DOCUMENTS

4,143,787 A	3/1979	Walker	
4,796,776 A	1/1989	Dalquist	
D323,954 S *	2/1992	Barrault	D7/354
D329,570 S *	9/1992	Gerlach	D7/354
D341,058 S *	11/1993	Slany	D7/354
D345,485 S *	3/1994	Leung	D7/354
D345,886 S *	4/1994	Gingele	D7/354
D370,827 S *	6/1996	Combe	D7/358
D439,104 S *	3/2001	Thakur	D7/360

D530,564 S *	10/2006	Chiba	D7/360
D641,204 S *	7/2011	Baumgartner	D7/354
D642,856 S *	8/2011	Bock	D7/354
8,247,751 B2	8/2012	Jagannathan	
D713,197 S *	9/2014	Seyers	D7/354

(Continued)

FOREIGN PATENT DOCUMENTS

KR	101158674 B1	6/2012
WO	WO 2010/049942 A1	5/2010

OTHER PUBLICATIONS

Kuhn Rikon Debuts Microwave Pressure Cooker, by Emily Cappiello, HomeWorld Business [online], published Nov. 29, 2016, [retrieved on Nov. 15, 2017]. Retrieved from the Internet, URL: <https://www.homeworldbusiness.com/kuhn-riikon-debuts-duromatic-micro-microwave-pressure-cooker/>.

(Continued)

Primary Examiner — Sheryl Lane

Assistant Examiner — Nicole C Shiflet

(74) *Attorney, Agent, or Firm* — Sughrue Mion, PLLC

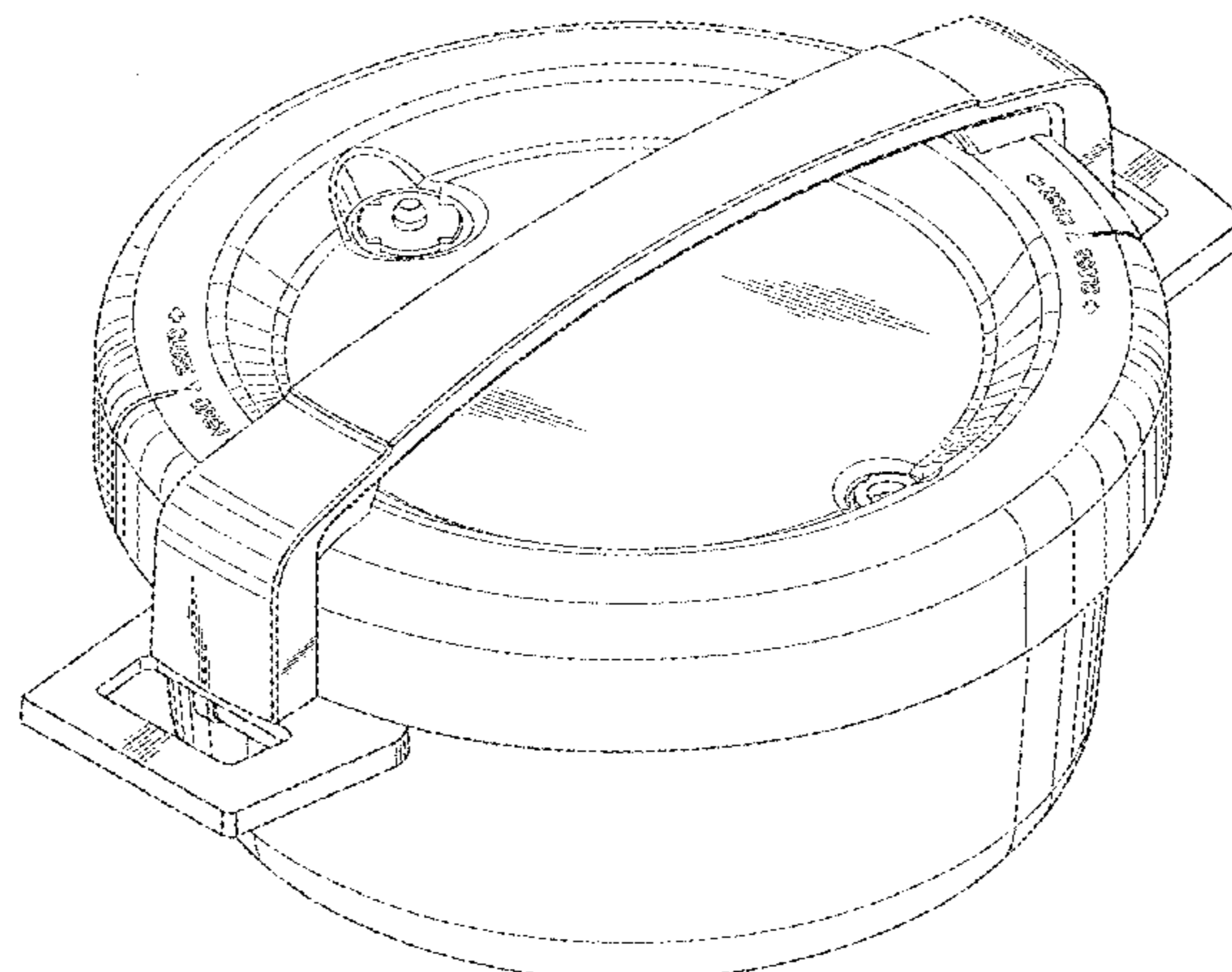
(57) **CLAIM**

The ornamental design for a cooking pot, as shown and described.

DESCRIPTION

- 1.1:** A perspective view of the cooking pot that is the subject of our invention;
- 1.2:** Front elevation view thereof;
- 1.3:** Back elevation view thereof;
- 1.4:** Left side elevation view thereof;
- 1.5:** Right side elevation view thereof;
- 1.6:** Top view thereof;
- 1.7:** Bottom view thereof;
- 1.8:** Perspective view thereof with twisted top;
- 1.9:** Perspective view as shown in 1.1 with handles down;
- 1.10:** Front view thereof with handles folded down.

(Continued)



Features illustrated in broken line do not form a part of the claimed invention.

1 Claim, 10 Drawing Sheets

(56)

References Cited

U.S. PATENT DOCUMENTS

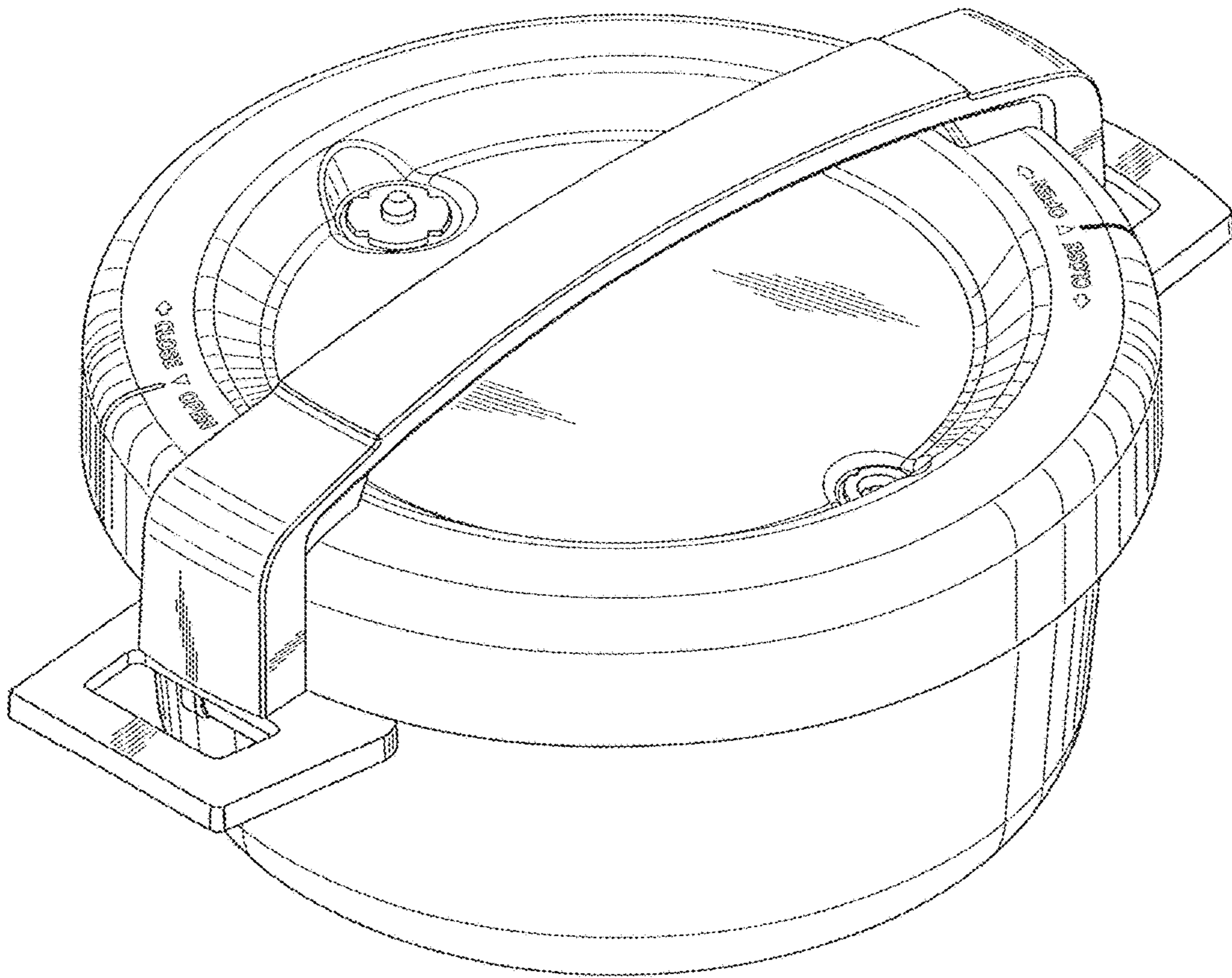
D756,159 S * 5/2016 Chang D7/354
D770,844 S * 11/2016 Chung D7/354
2014/0339223 A1 11/2014 Backaert et al.

OTHER PUBLICATIONS

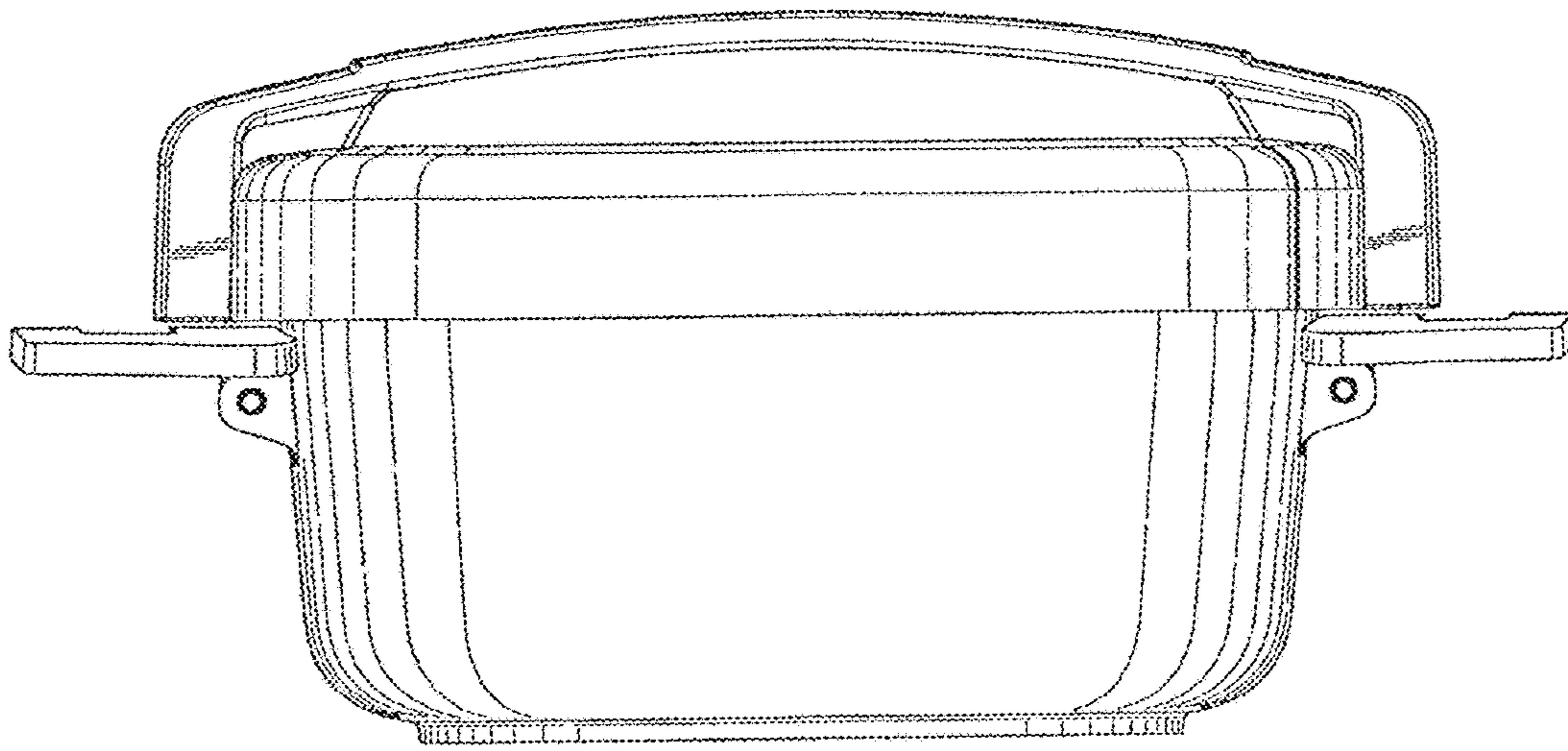
Kuhn Rikon Duromatic Microwavable Pressure Cooker, Amazon [online], date first available May 4, 2017, [retrieved Nov. 15, 2017]. Retrieved from Internet, URL: https://www.amazon.com/Kuhn-Rikon-Duromatic-Microwavable-Pressure/dp/B071VF9WHY/ref=pd_sbs_79_1?_encoding=UTF8&refRID=K4X22NANY2N4FQA2F9M3&dpID=41xzMlwj6XL&preST=_SY300_SL1500_QL50_&dpSrc=detail.*

* cited by examiner

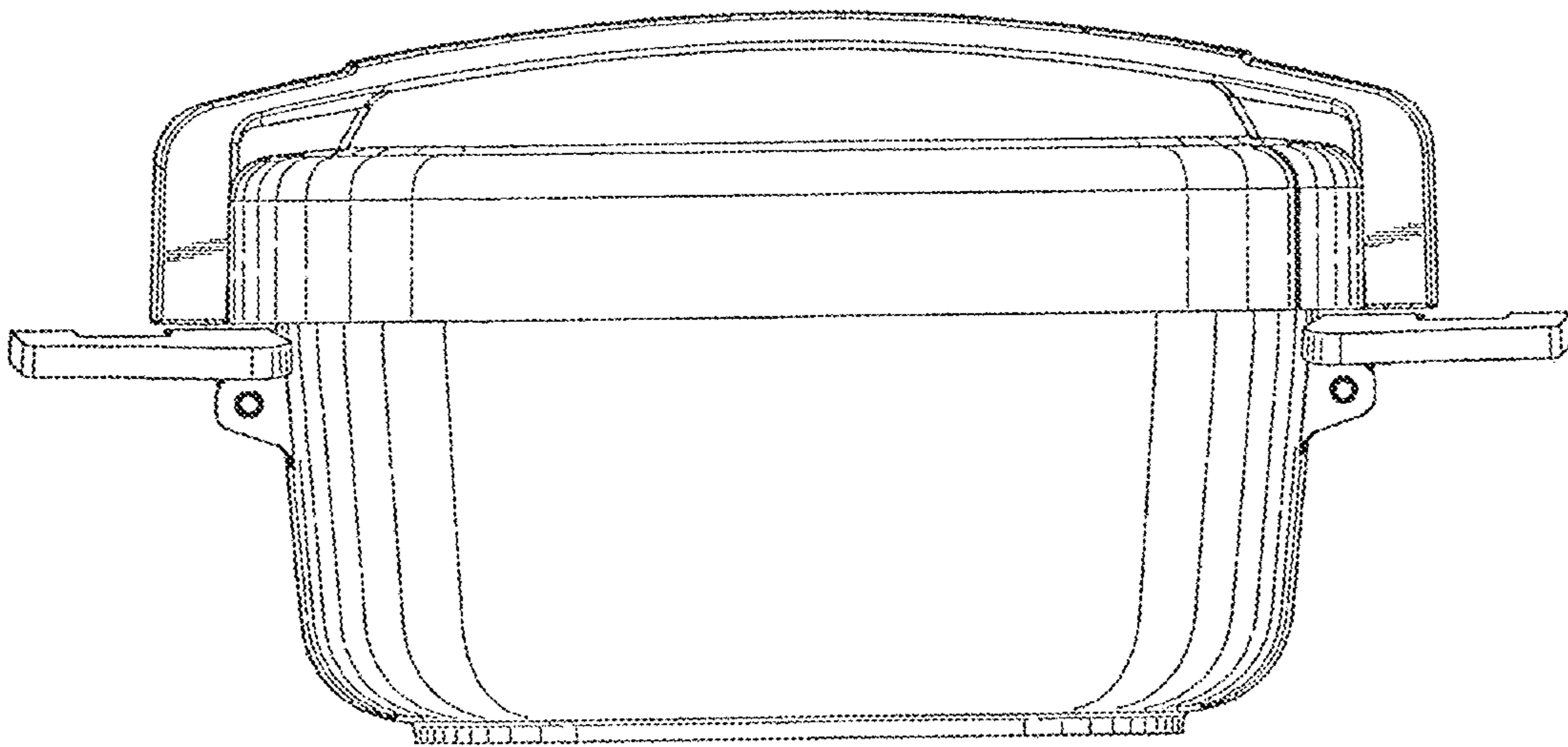
1.1



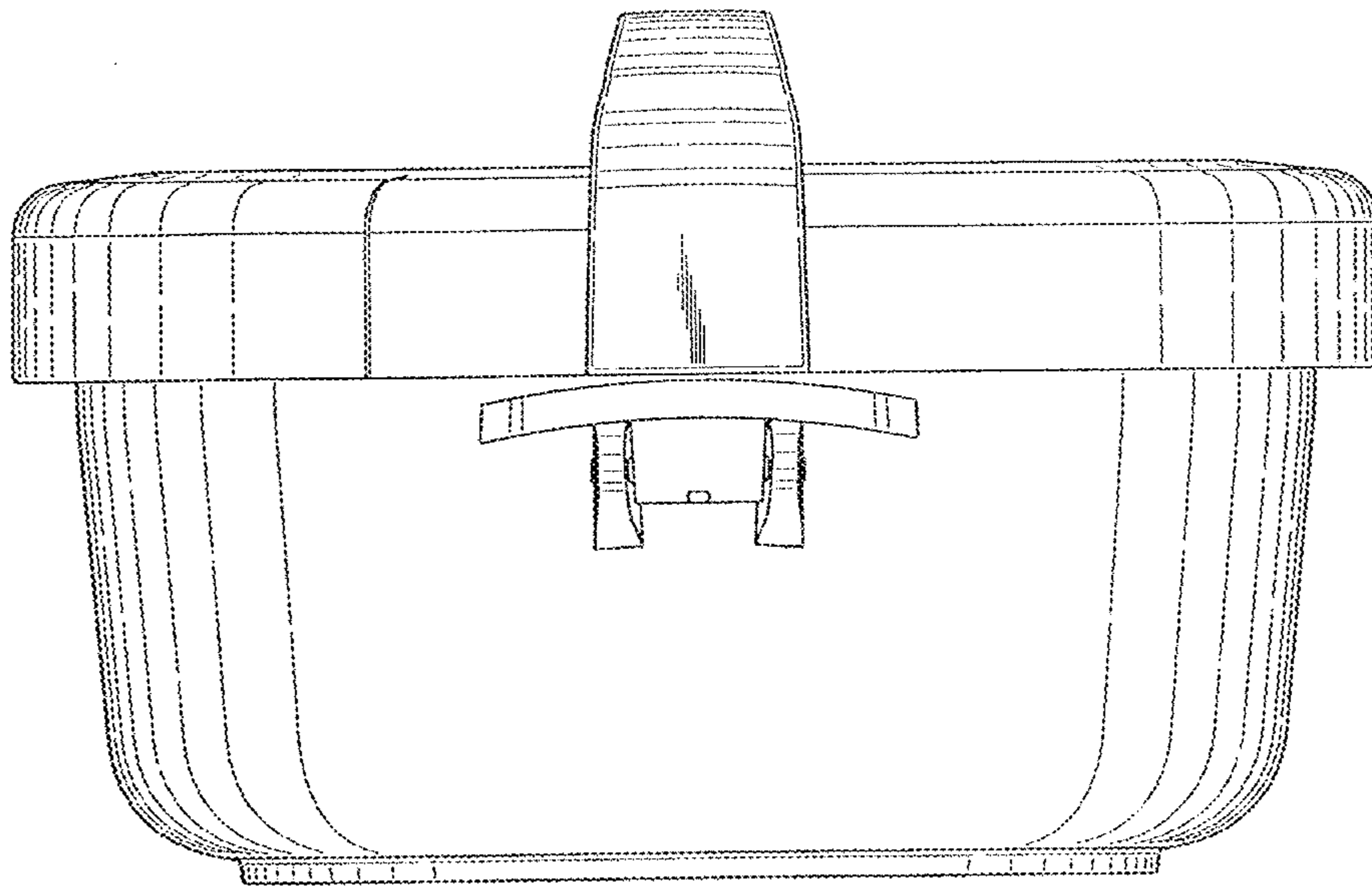
1.2



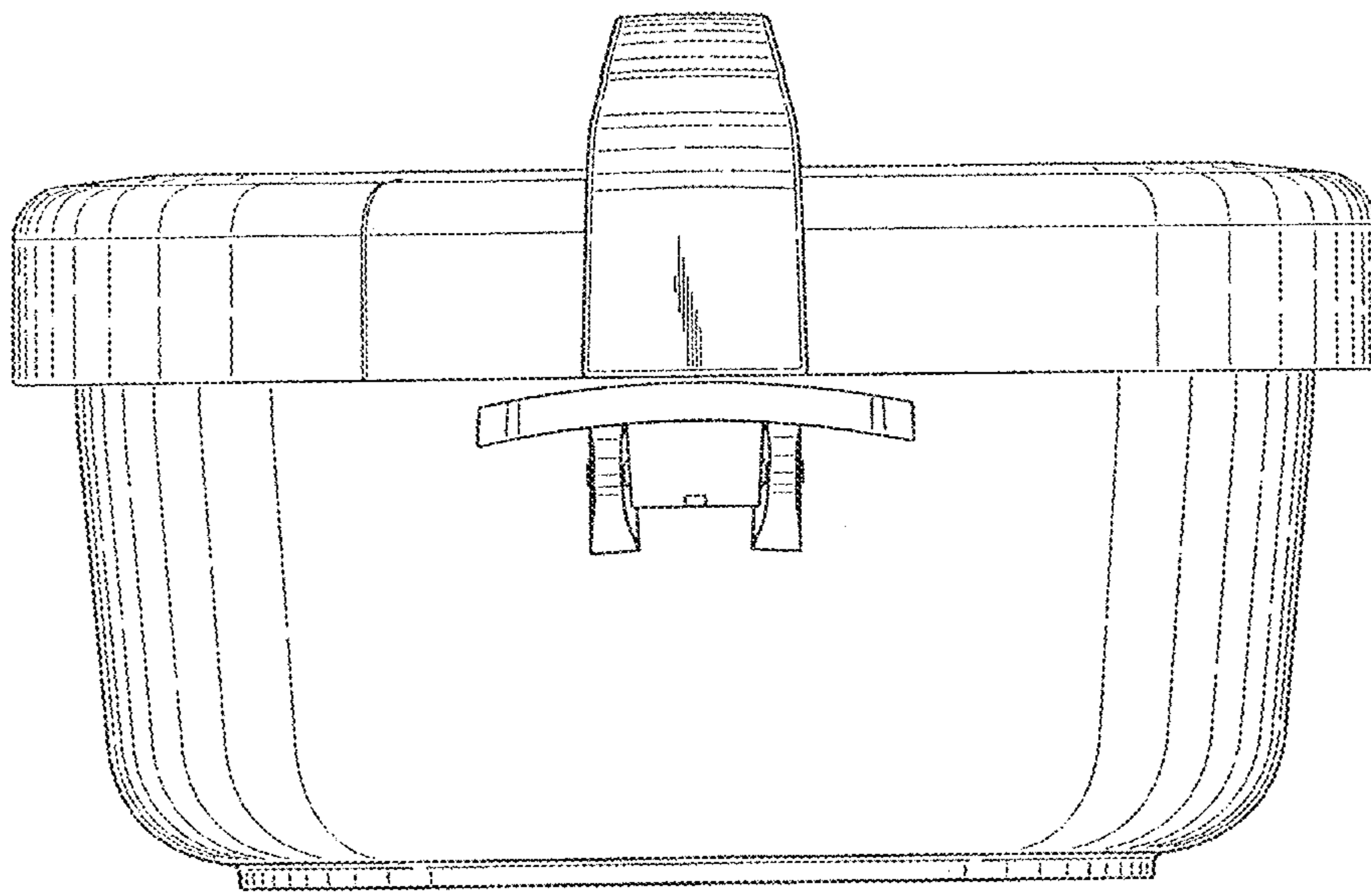
1.3



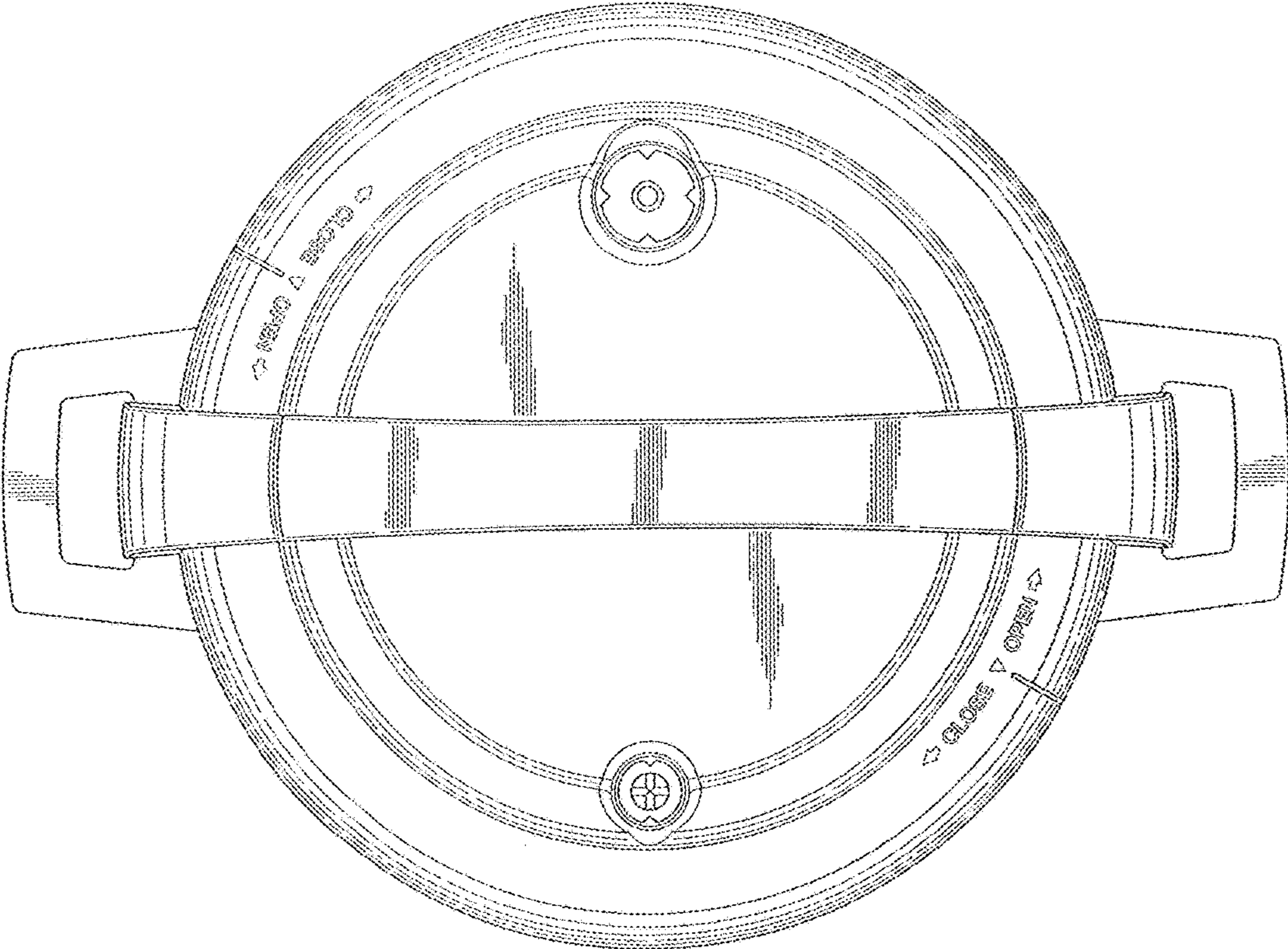
1.4



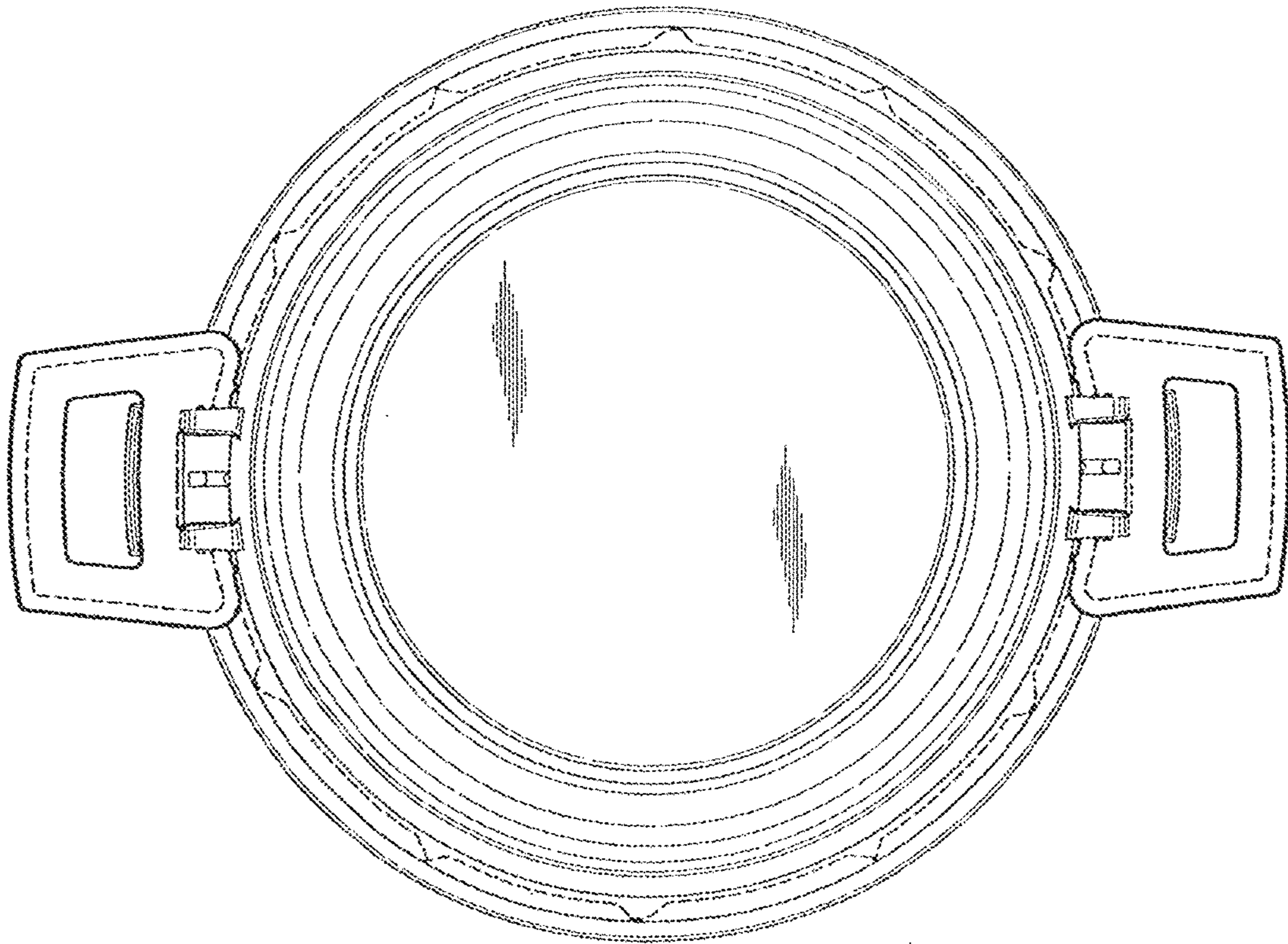
1.5



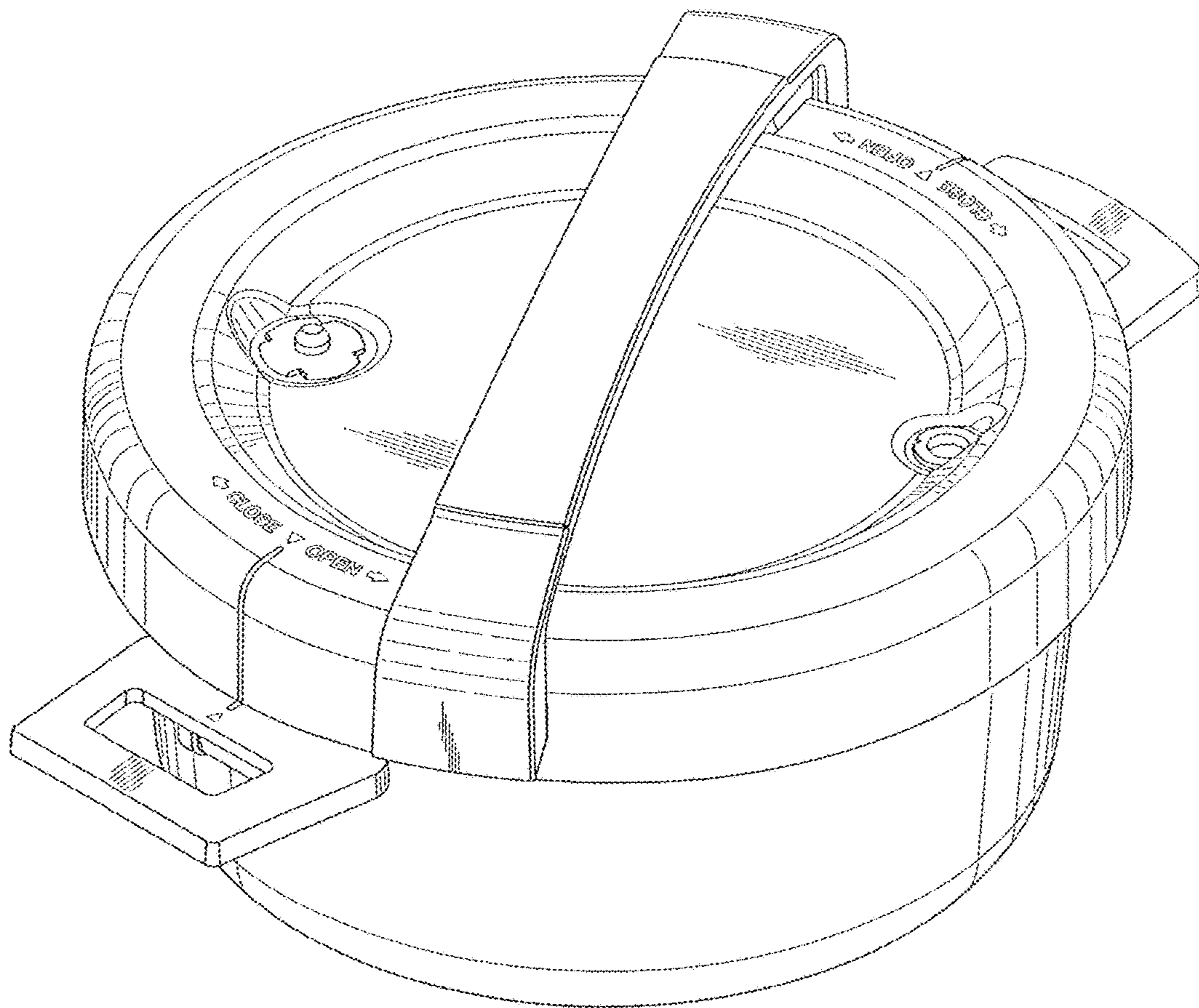
1.6



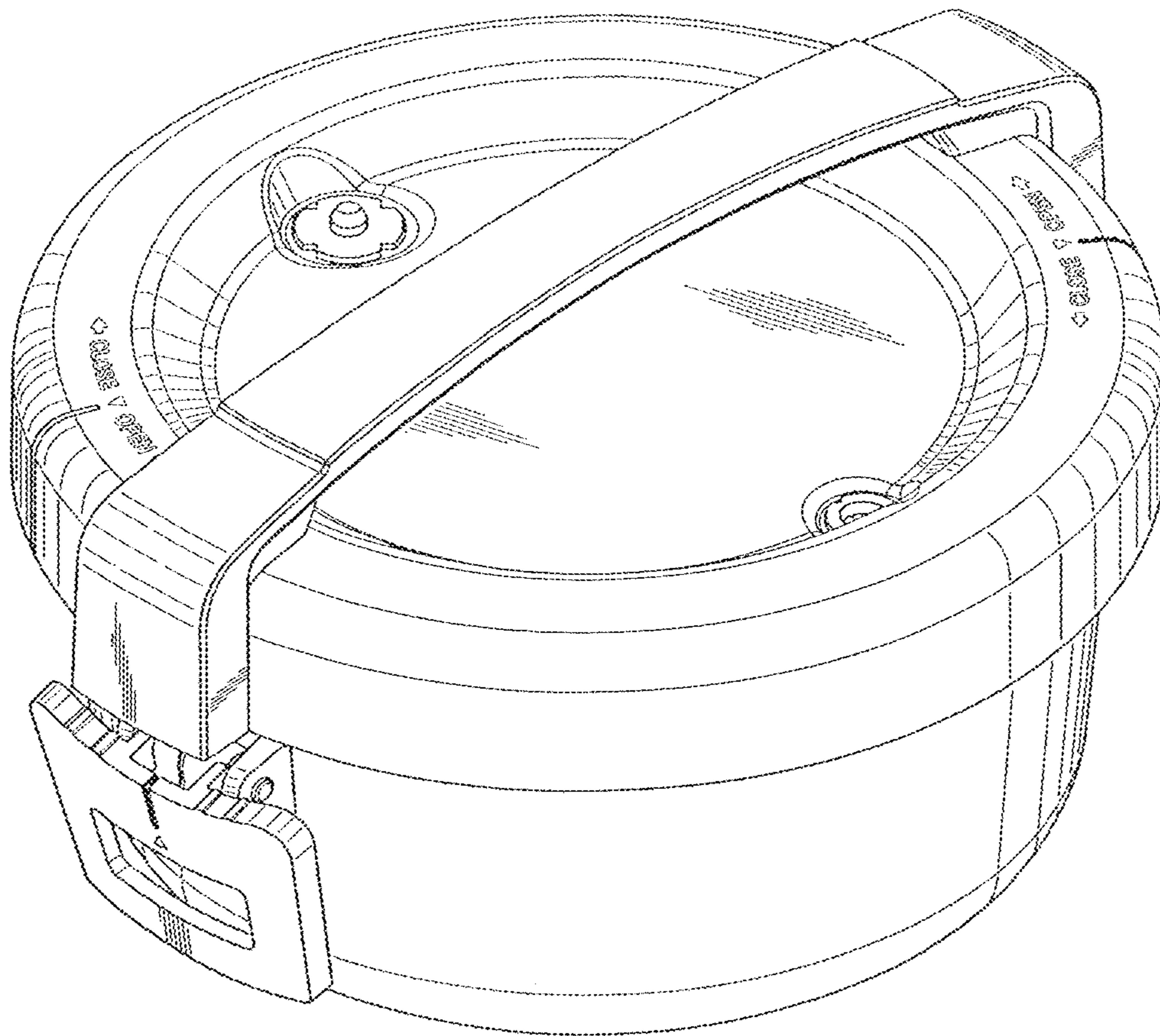
1.7



1.8



1.9



1.10

