

US00D832636S

(12) **United States Design Patent**
Schwartz

(10) **Patent No.:** **US D832,636 S**
(45) **Date of Patent:** **** Nov. 6, 2018**

- (54) **LIQUID WARMER**
- (71) Applicant: **LittleWunz, LLC**, Jupiter, FL (US)
- (72) Inventor: **Eric D. Schwartz**, Palm Beach Gardens, FL (US)
- (73) Assignee: **LittleWunz, LLC**, Jupiter, FL (US)
- (**) Term: **15 Years**
- (21) Appl. No.: **29/592,204**
- (22) Filed: **Jan. 27, 2017**
- (51) **LOC (11) Cl.** **07-02**
- (52) **U.S. Cl.**
USPC **D7/326**
- (58) **Field of Classification Search**
USPC D7/323, 326, 372, 376-386, 412-413, D7/602, 629, 665-666, 669, 679, D7/693-694; D23/336
CPC A21C 1/02; A21C 1/04; A23N 1/00; A23N 1/02; A47J 36/2433; A47J 36/2438; A47J 36/2461; A47J 36/2483; A47J 43/04; A47J 43/25; A47J 43/27; A47J 43/042; A47J 43/044; A47J 43/046; A47J 43/075; A47J 43/0722; A47J 43/0727; B01F 3/00; B01F 3/0807; B01F 3/0853; B01F 13/0059; B01F 13/0064; B02C 1/08; B02C 2/04; B02C 4/42; B02C 4/142; B02C 4/143; B02C 4/423; B02C 13/1835; B28C 5/10; B28C 5/12; B28C 5/14; B28C 5/16; B65D 81/3886; H01R 13/7038; H05B 3/36
See application file for complete search history.

(56) **References Cited**

U.S. PATENT DOCUMENTS

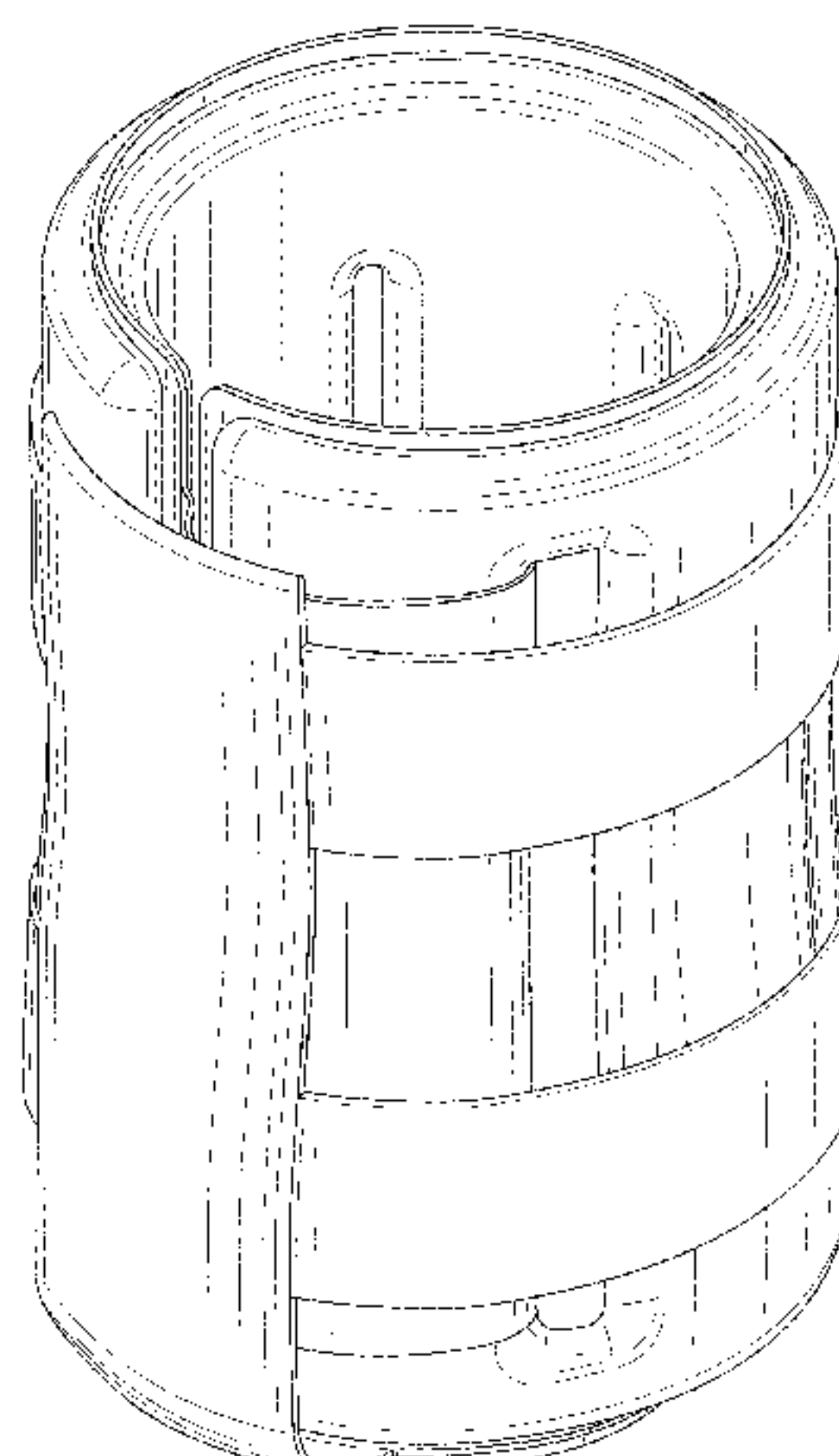
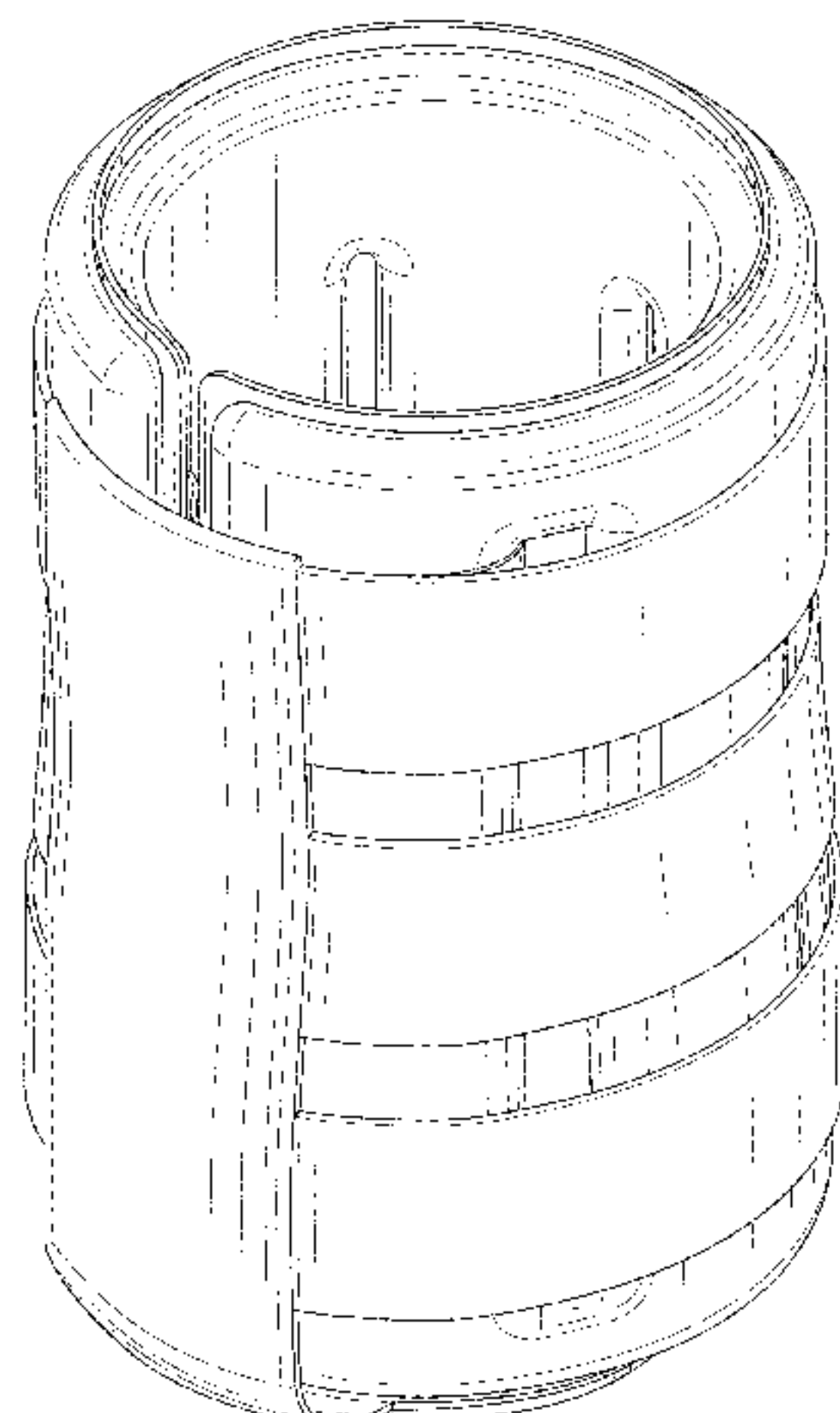
2,128,016	A	8/1938	Sinko	
2,516,637	A	7/1950	McCollum	
2,526,447	A *	10/1950	Aiken	A47J 36/2483 200/85 R
2,609,479	A	9/1952	Loewe	
3,152,245	A	10/1964	Litman	
3,892,945	A	7/1975	Lerner	
4,462,444	A *	7/1984	Larson	B65D 81/3886 215/12.1

4,573,447	A	3/1986	Thrash et al.	
4,801,782	A	1/1989	Ineson	
5,042,455	A	8/1991	Yue et al.	
5,408,068	A *	4/1995	Ng	H05B 3/36 219/202
5,436,429	A	7/1995	Cline	
5,842,353	A	12/1998	Kuo-Liang	
5,975,337	A	11/1999	Hadley	
6,072,161	A	6/2000	Stein	
6,403,928	B1	6/2002	Ford	
6,469,280	B2	10/2002	Graham et al.	
6,528,766	B1	3/2003	Parks et al.	
6,554,466	B1	4/2003	Lee	
6,571,564	B2 *	6/2003	Upadhye	A47J 36/2438 165/80.5
6,601,576	B1	8/2003	Baysinger et al.	
6,639,186	B1	10/2003	Perez	
6,870,135	B2 *	3/2005	Hamm	A47J 36/2433 219/202
6,921,880	B2	7/2005	Berger	
7,196,293	B2 *	3/2007	Britto	H01R 13/7038 219/387
7,994,454	B2 *	8/2011	Traylor	A47J 36/2461 219/432
D716,096	S *	10/2014	Krooshof	D7/326
D741,102	S *	10/2015	Glucksman	D7/323
9,480,363	B2 *	11/2016	Delattre	A47J 36/2433
D794,385	S *	8/2017	Lee	D7/376
D801,496	S *	10/2017	Letham	D23/336
2003/0137168	A1	7/2003	Kain	
2004/0139860	A1 *	7/2004	Hamm	A47J 36/2433 99/275
2006/0081599	A1	4/2006	Anderson	
2006/0264831	A1	11/2006	Skwarek et al.	
2007/0204851	A1	9/2007	Justo	
2007/0223895	A1	9/2007	Flemm	
2008/0041859	A1	2/2008	Teglbjarg	
2008/0087270	A1	4/2008	Shaikh et al.	
2008/0118614	A1	5/2008	Kehoe et al.	
2008/0178865	A1	7/2008	Retterer	
2008/0179311	A1	7/2008	Koro et al.	
2008/0251063	A1	10/2008	Palena et al.	
2010/0025414	A1	2/2010	Mansour et al.	
2010/0089901	A1	4/2010	Montana	
2012/0061376	A1	3/2012	McBean et al.	

OTHER PUBLICATIONS

http://www.babyage.com/products/4225-pl_prince_lionheart_prince_lionheart_on_the_go_bottle_warmer.htm, 2 pgs., Sep. 2009.

<http://www.petersofkensington.com.au/Product/ProductInfo.aspx?id=16253688&id=483>, 1 pg., Sep. 2009.



<http://www.mom4life.com/catalog.php?item=1255>, 3 pgs., Sep. 2009.
http://www.babyage.com/dex_products/53171/dex_products_grab_n_go_bottle_warmer.htm, 1 pg., Sep. 2009.

* cited by examiner

Primary Examiner — Ricky Pham

(74) *Attorney, Agent, or Firm* — Akerman LLP; Mammen (Roy) P. Zachariah, Jr.

(57) **CLAIM**

The ornamental design for a liquid warmer, as shown and described.

DESCRIPTION

FIG. 1 is a perspective view of a first embodiment of my ornamental design for the liquid warmer including three bands;

FIG. 2 is a back view of the ornamental design of the embodiment of FIG. 1;

FIG. 3 is a front view of the ornamental design of the embodiment of FIG. 1;

FIG. 4 is a left side view of the ornamental design of the embodiment of FIG. 1;

FIG. 5 is a right side view of the ornamental design of the embodiment of FIG. 1;

FIG. 6 is a top view of the ornamental design of the embodiment of FIG. 1;

FIG. 7 is a bottom view of the ornamental design of the embodiment of FIG. 1;

FIG. 8 is a front perspective view of the ornamental design of the embodiment of FIG. 1 when the liquid warmer is unwrapped;

FIG. 9 is a front view of the ornamental design of the embodiment of FIG. 1 when the liquid warmer is unwrapped;

FIG. 10 is a back view of the ornamental design of the embodiment of FIG. 1 when the liquid warmer is unwrapped;

FIG. 11 is a side view of the ornamental design of the embodiment of FIG. 1 when the liquid warmer is unwrapped and the front of the liquid warmer is facing up;

FIG. 12 is another side view of the ornamental design of the embodiment of FIG. 1 when the liquid warmer is unwrapped and the back of the liquid warmer is facing up;

FIG. 13 is another side view of the ornamental design of the embodiment of FIG. 1 when the liquid warmer is unwrapped and the front of the liquid warmer is facing down;

FIG. 14 is another side view of the ornamental design of the embodiment of FIG. 1 when the liquid warmer is unwrapped and the front of the liquid warmer is facing up;

FIG. 15 is a perspective view of a second embodiment of my ornamental design for my liquid warmer including two bands;

FIG. 16 is a back view of the ornamental design of the embodiment of FIG. 15;

FIG. 17 is a front view of the ornamental design of the embodiment of FIG. 15;

FIG. 18 is a left side view of the ornamental design of the embodiment of FIG. 15;

FIG. 19 is a right side view of the ornamental design of the embodiment of FIG. 15;

FIG. 20 is a top view of the ornamental design of the embodiment of FIG. 15;

FIG. 21 is a bottom view of the ornamental design of the embodiment of FIG. 15;

FIG. 22 is a front perspective view of the ornamental design of the embodiment of FIG. 15 when the liquid warmer is unwrapped;

FIG. 23 is a front view of the ornamental design of the embodiment of FIG. 15 when the liquid warmer is unwrapped;

FIG. 24 is a back view of the ornamental design of the embodiment of FIG. 15 when the liquid warmer is unwrapped;

FIG. 25 is a side view of the ornamental design of the embodiment of FIG. 15 when the liquid warmer is unwrapped and the front of the liquid warmer is facing up;

FIG. 26 is another side view of the ornamental design of the embodiment of FIG. 15 when the liquid warmer is unwrapped and the back of the liquid warmer is facing up;

FIG. 27 is another side view of the ornamental design of the embodiment of FIG. 15 when the liquid warmer is unwrapped and the front of the liquid warmer is facing down;

FIG. 28 is another side view of the ornamental design of the embodiment of FIG. 15 when the liquid warmer is unwrapped and the front of the liquid warmer is facing up;

FIG. 29 is a perspective view of a third embodiment of my ornamental design for my liquid warmer including one band;

FIG. 30 is a back view of the ornamental design of the embodiment of FIG. 29;

FIG. 31 is a front view of the ornamental design of the embodiment of FIG. 29;

FIG. 32 is a left side view of the ornamental design of the embodiment of FIG. 29;

FIG. 33 is a right side view of the ornamental design of the embodiment of FIG. 29;

FIG. 34 is a top view of the ornamental design of the embodiment of FIG. 29;

FIG. 35 is a bottom view of the ornamental design of the embodiment of FIG. 29;

FIG. 36 is a front perspective view of the ornamental design of the embodiment of FIG. 29 when the liquid warmer is unwrapped;

FIG. 37 is a front view of the ornamental design of the embodiment of FIG. 29 when the liquid warmer is unwrapped;

FIG. 38 is a back view of the ornamental design of the embodiment of FIG. 29 when the liquid warmer is unwrapped;

FIG. 39 is a side view of the ornamental design of the embodiment of FIG. 29 when the liquid warmer is unwrapped and the front of the liquid warmer is facing up;

FIG. 40 is another side view of the ornamental design of the embodiment of FIG. 29 when the liquid warmer is unwrapped and the back of the liquid warmer is facing up;

FIG. 41 is another side view of the ornamental design of the embodiment of FIG. 29 when the liquid warmer is unwrapped and the front of the liquid warmer is facing down; and,

FIG. 42 is another side view of the ornamental design of the embodiment of FIG. 29 when the liquid warmer is unwrapped and the front of the liquid warmer is facing up.

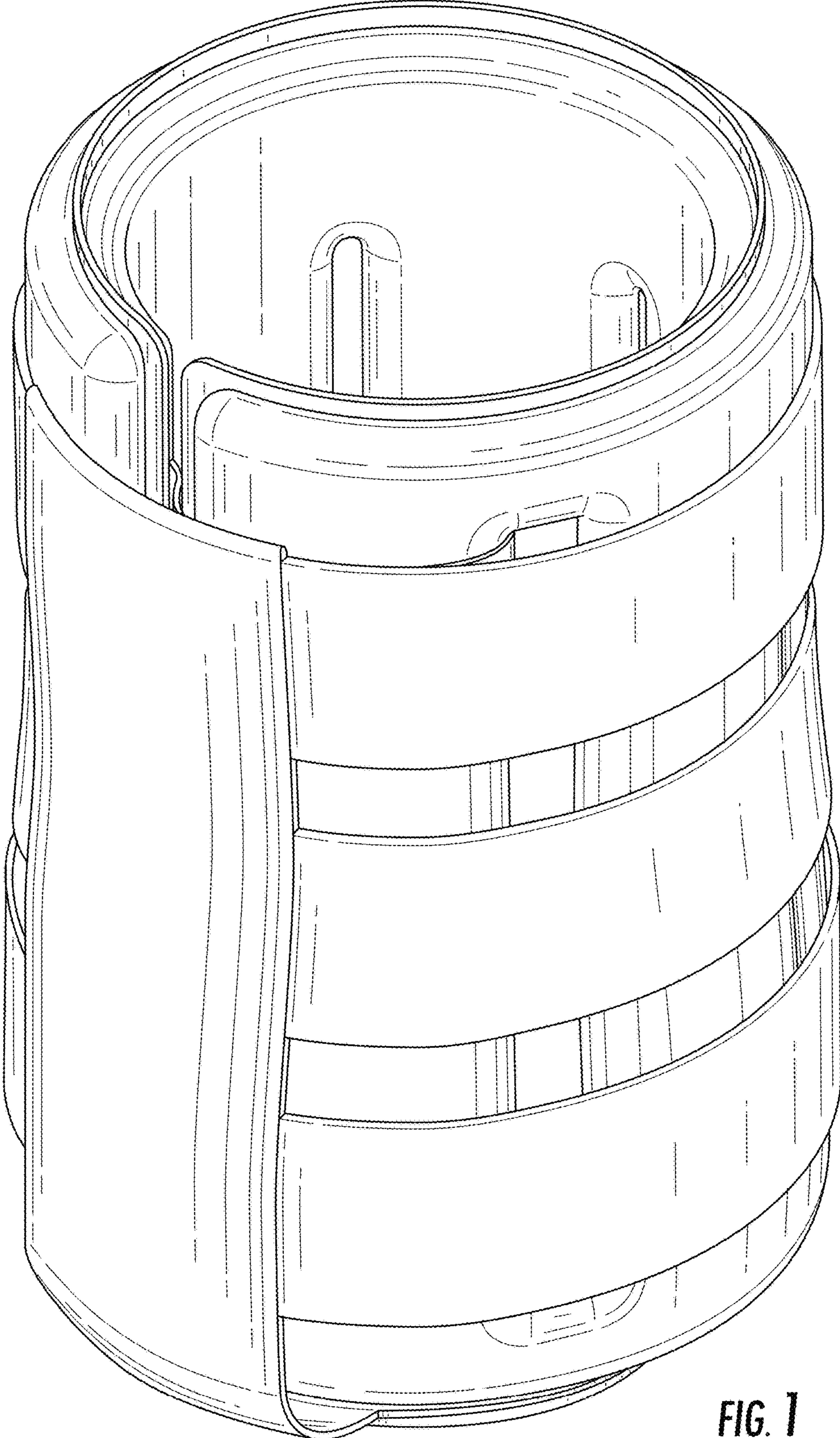


FIG. 1

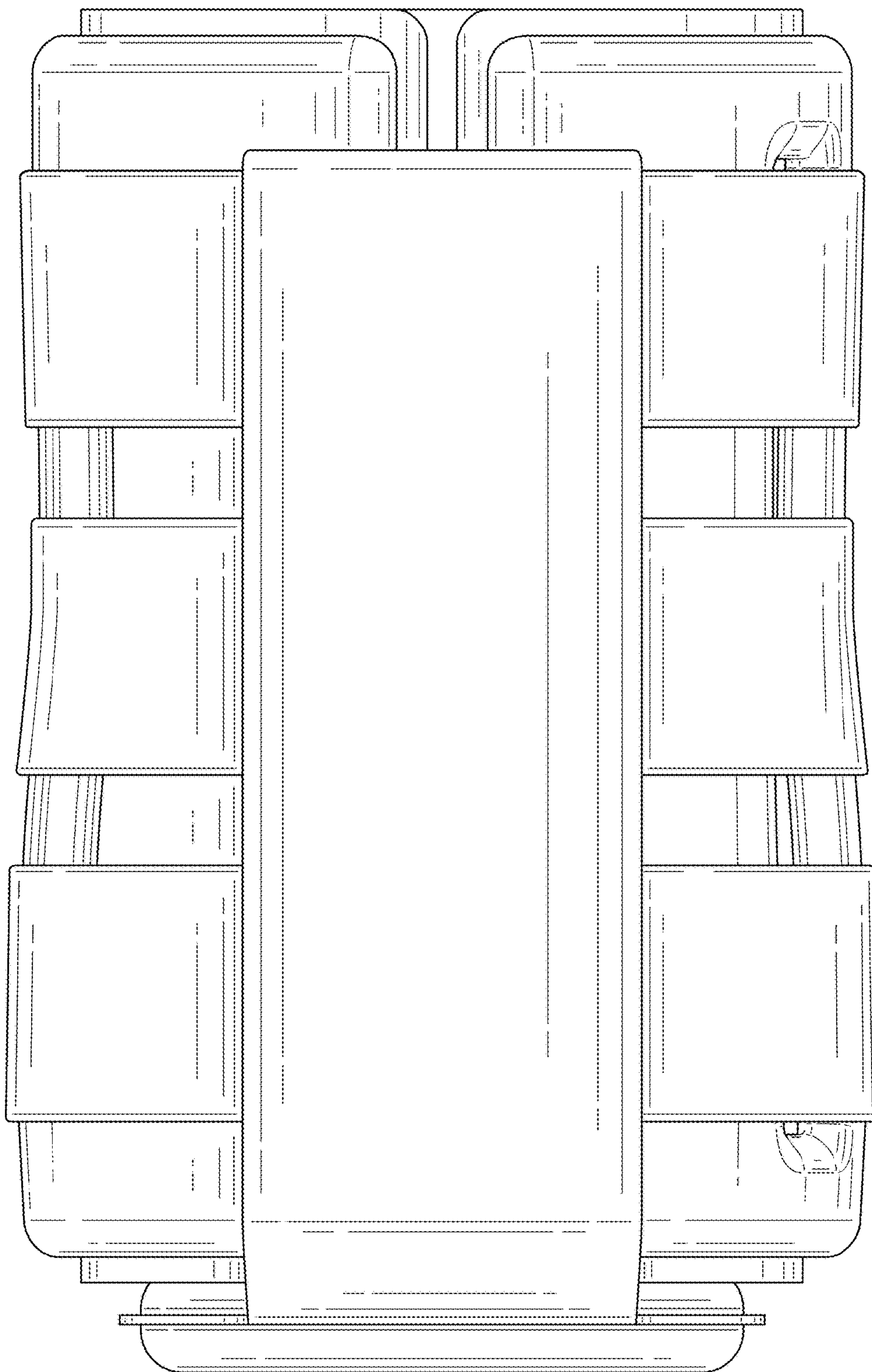


FIG. 2

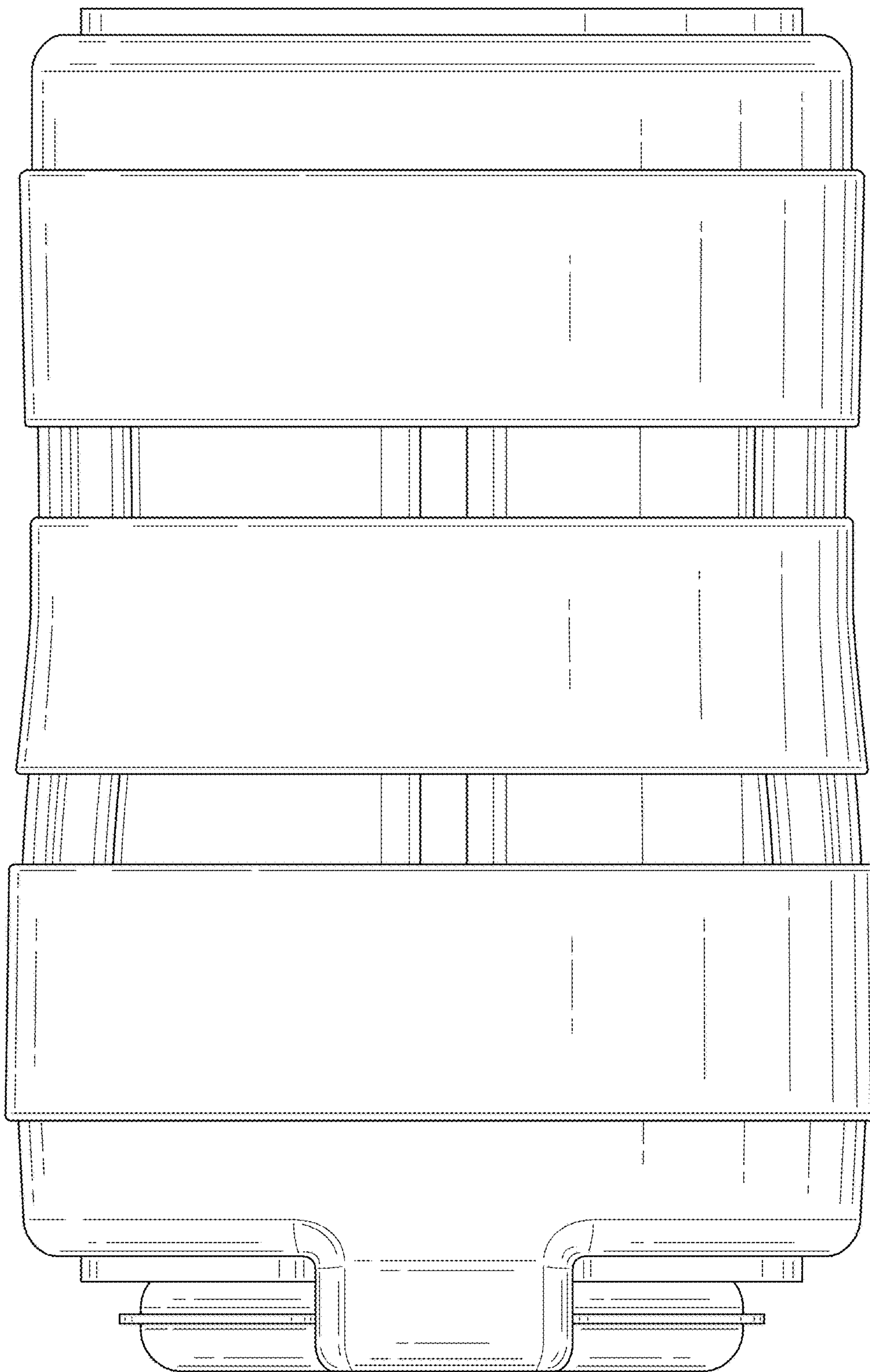


FIG. 3

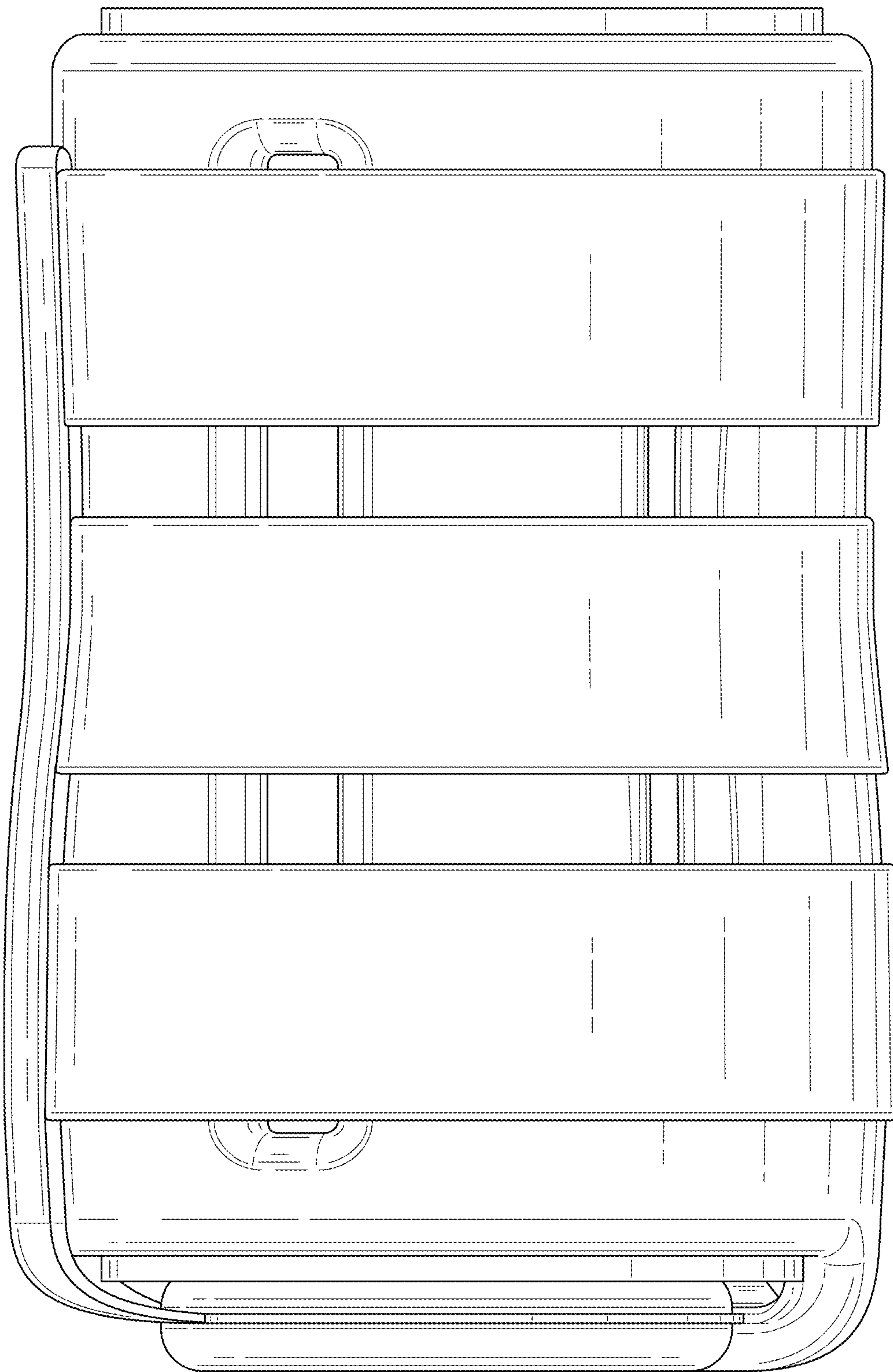


FIG. 4

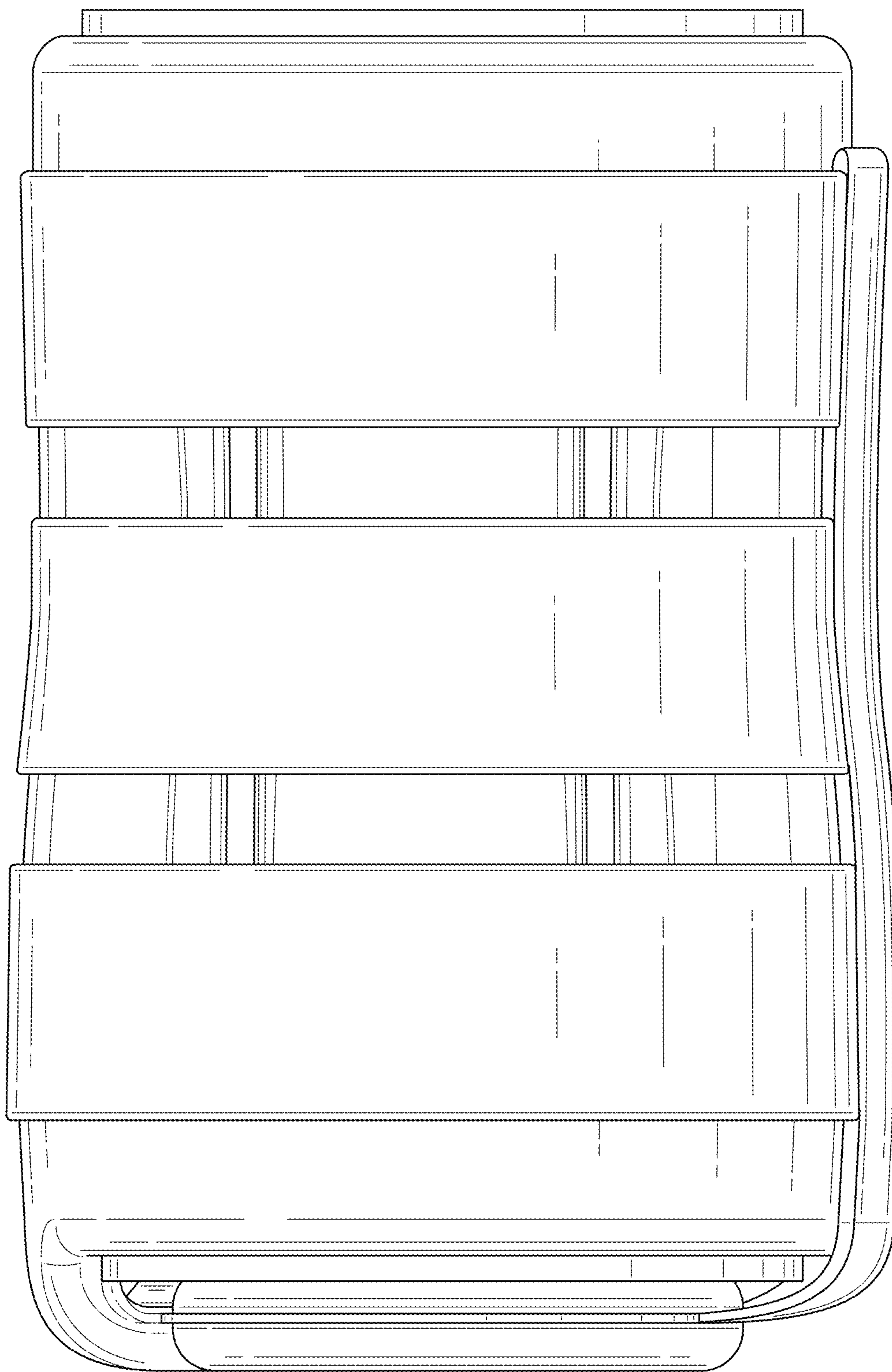


FIG. 5

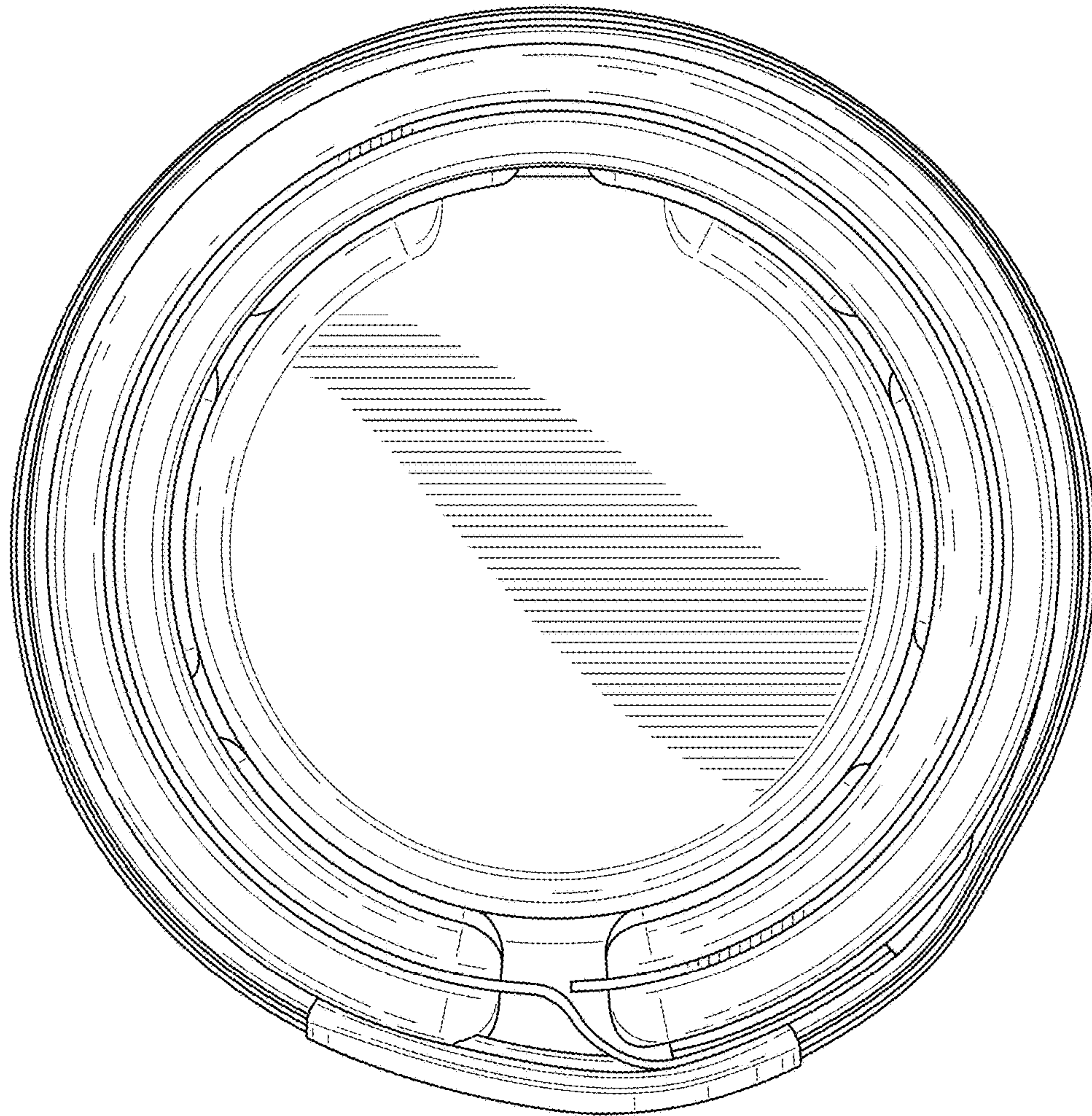


FIG. 6

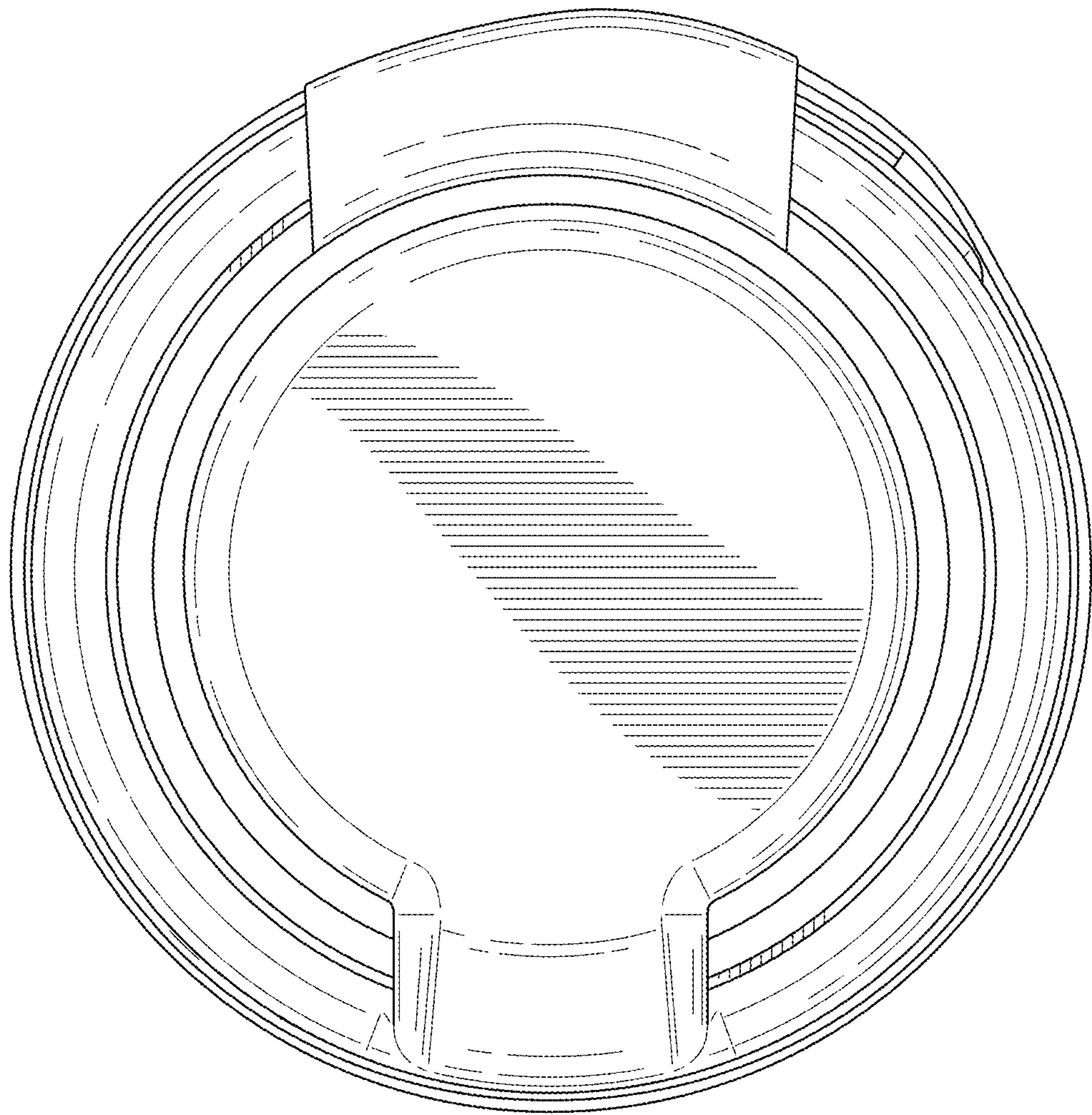


FIG. 7

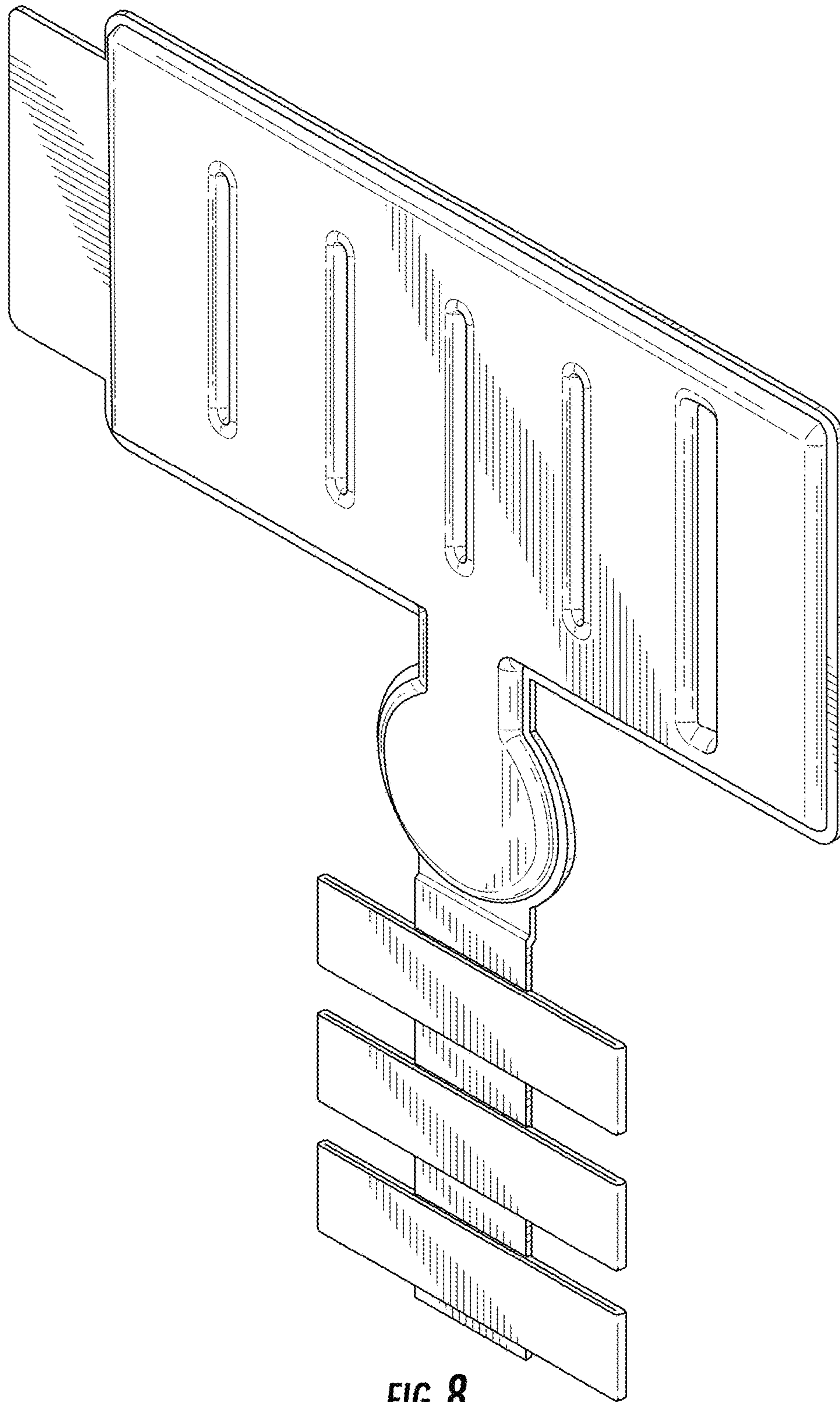


FIG. 8

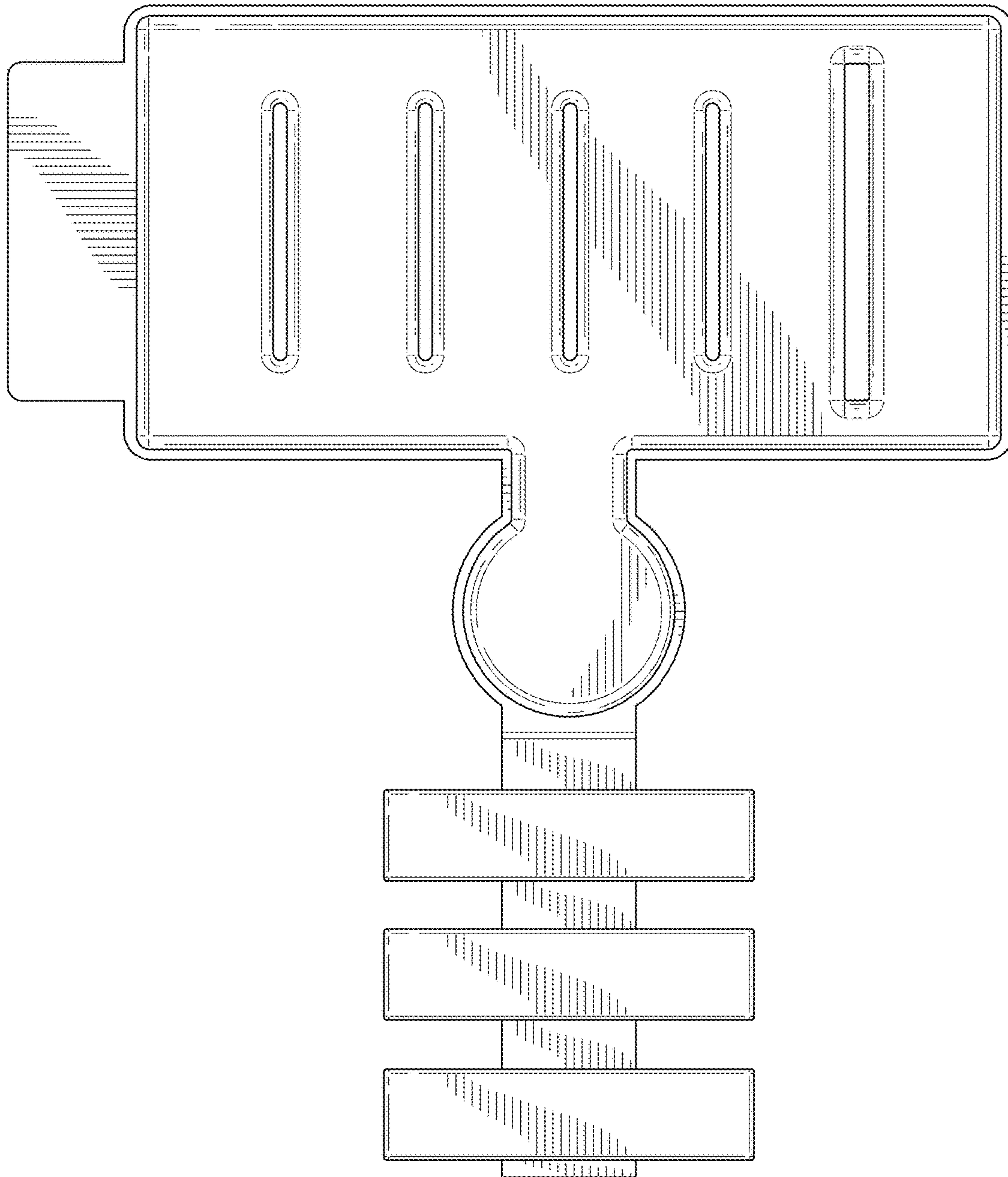


FIG. 9

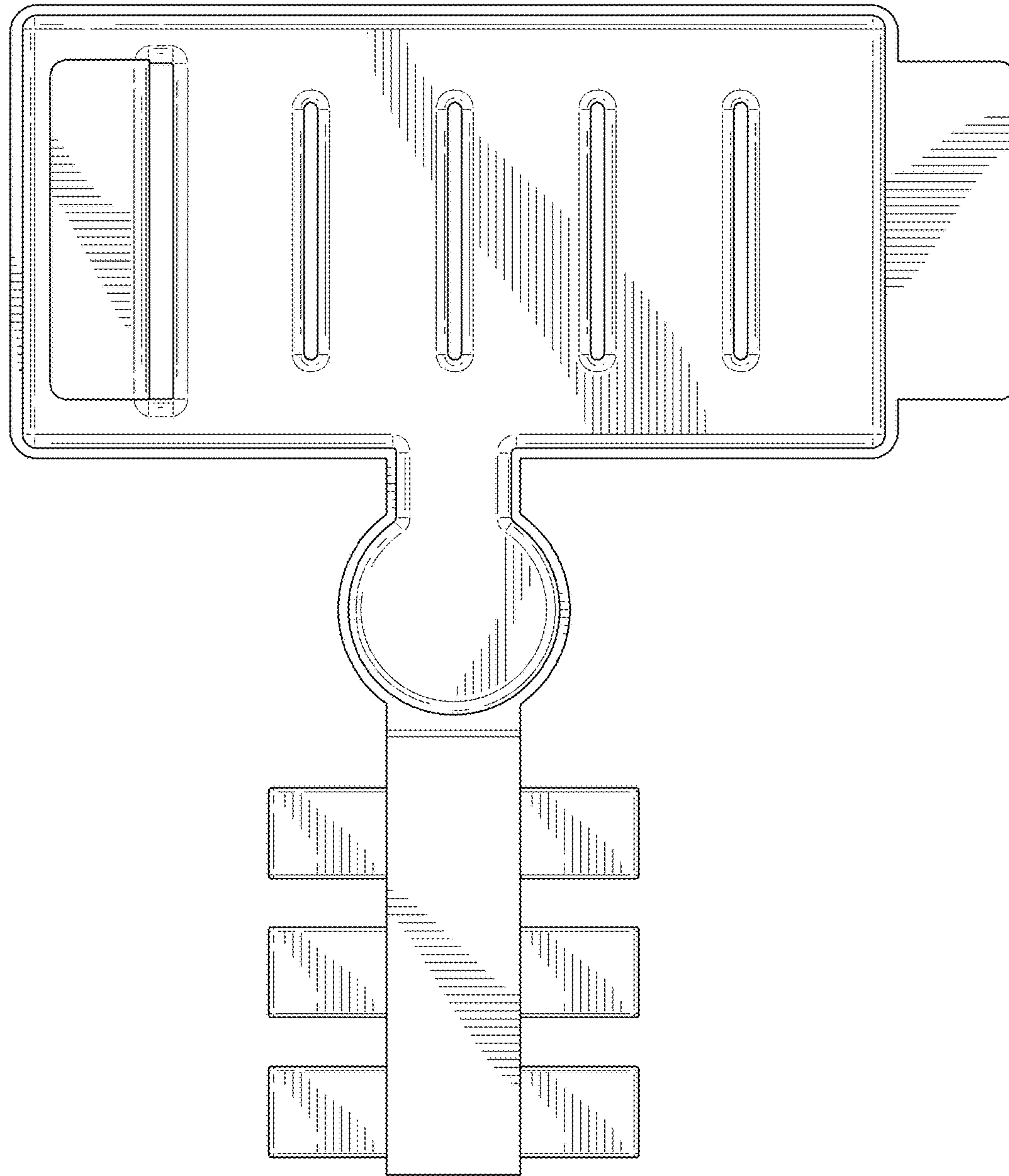


FIG. 10

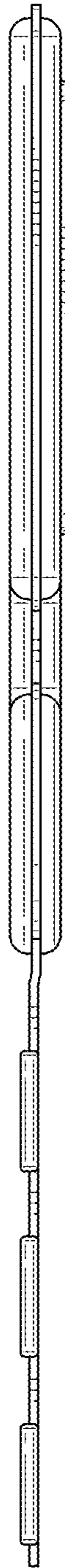


FIG. 11

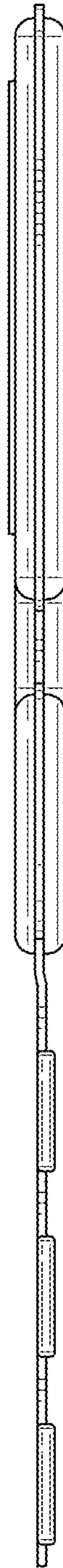


FIG. 12

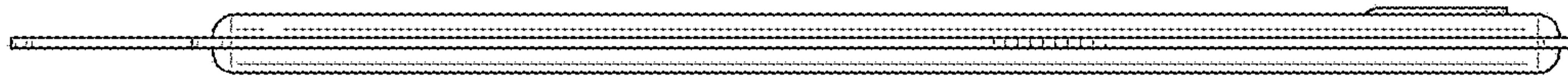


FIG. 13

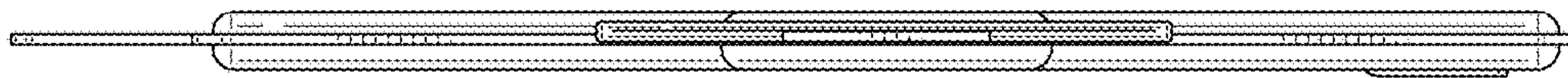


FIG. 14

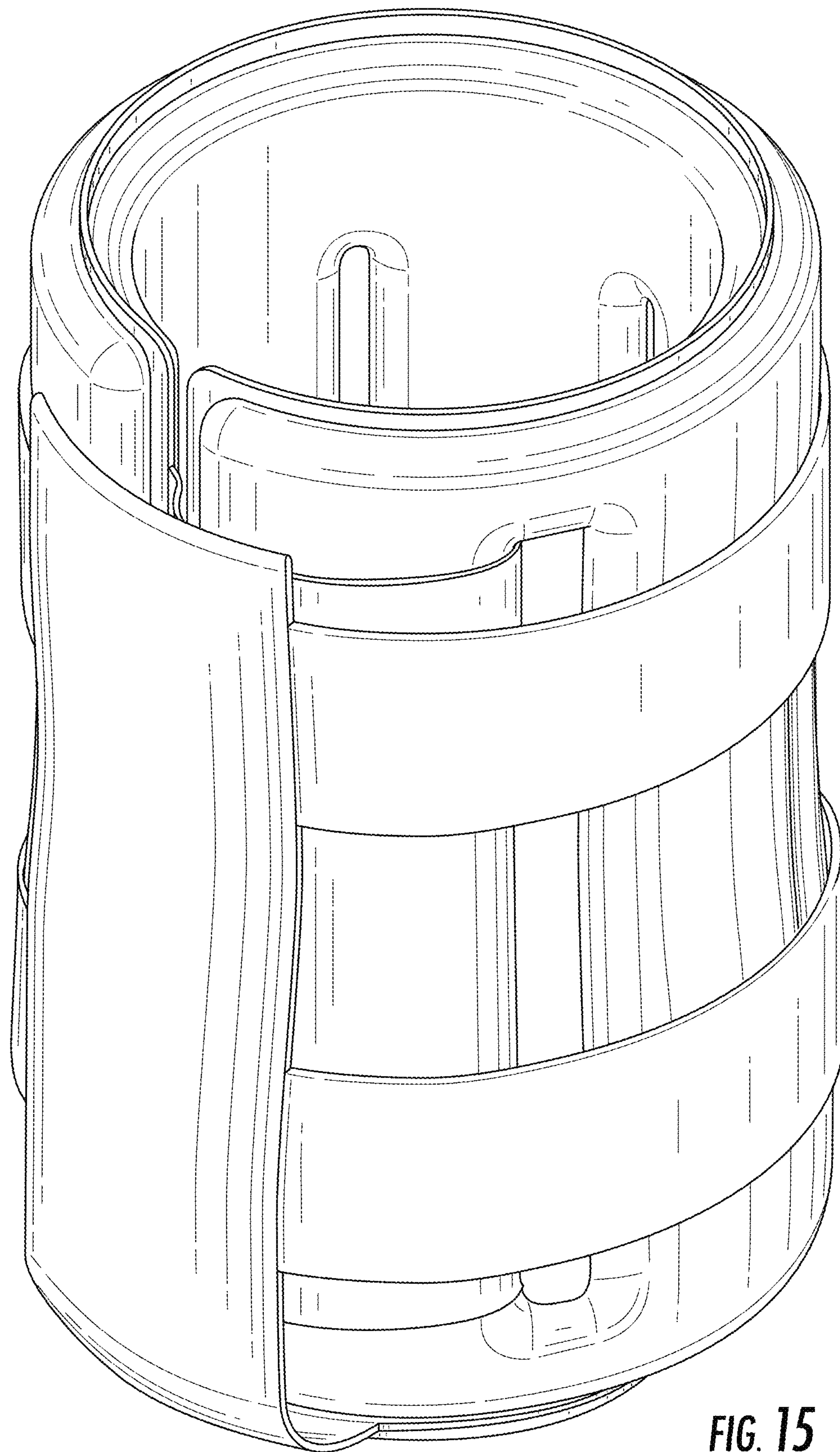


FIG. 15

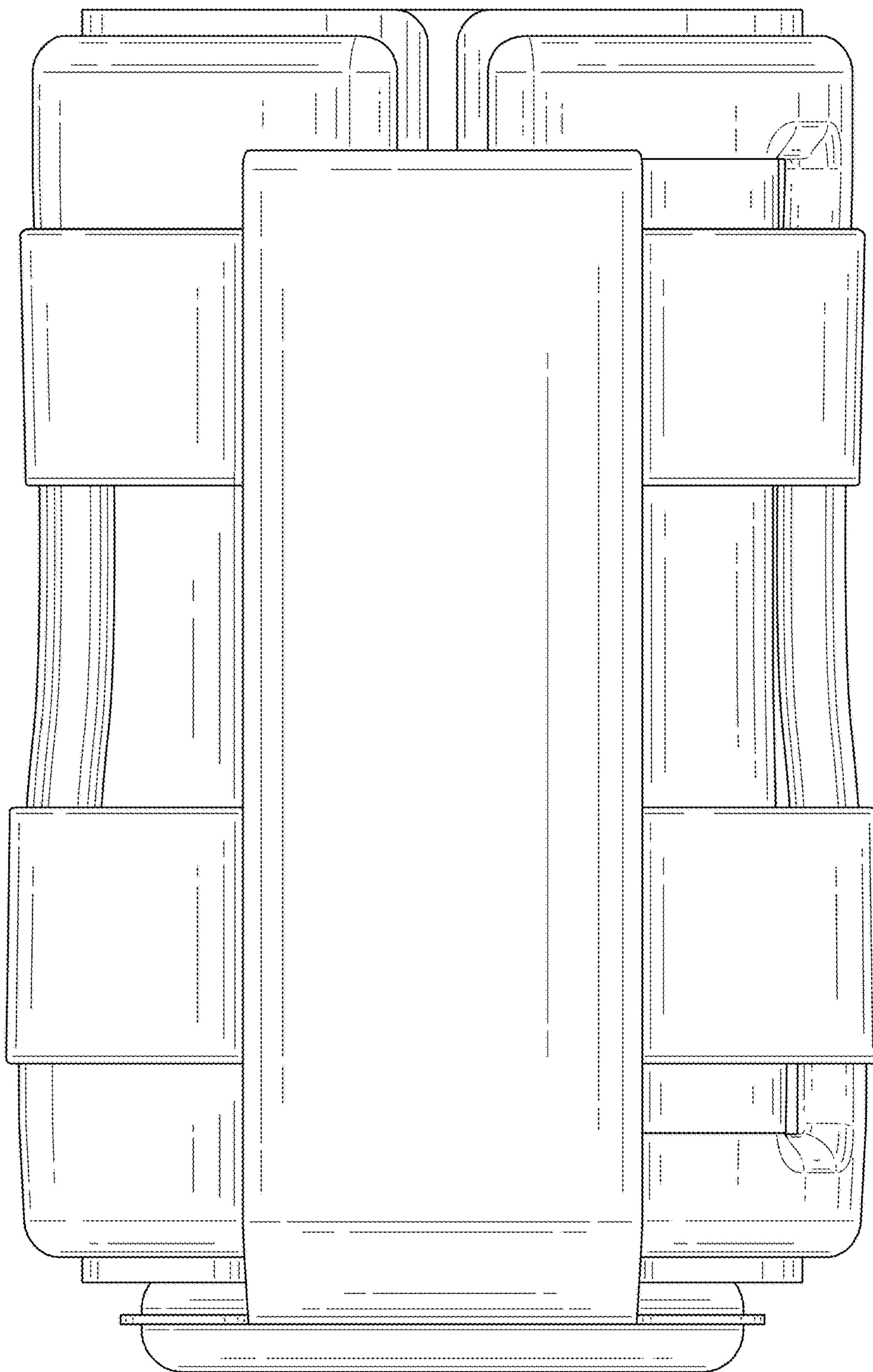


FIG. 16

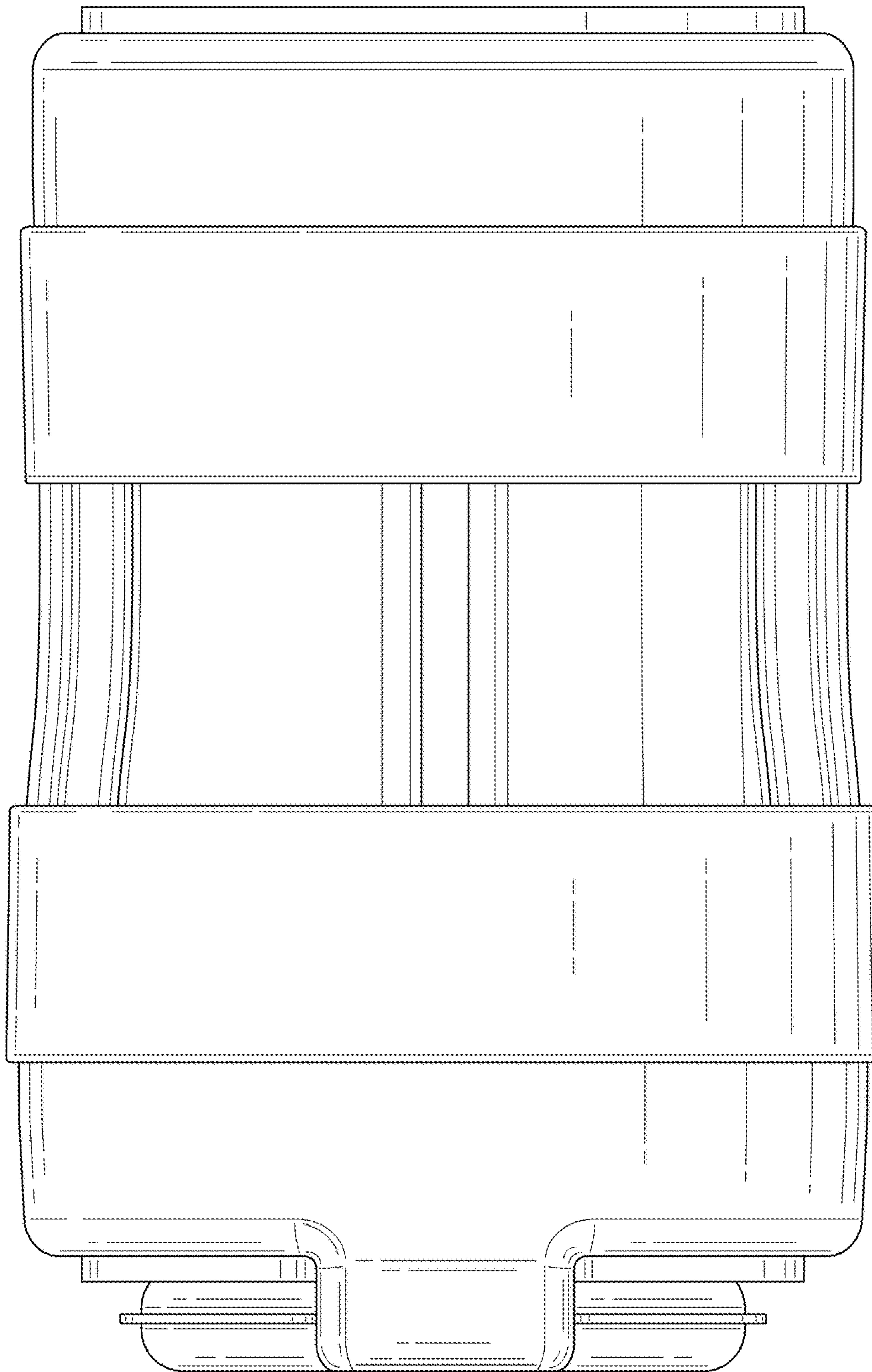


FIG. 17

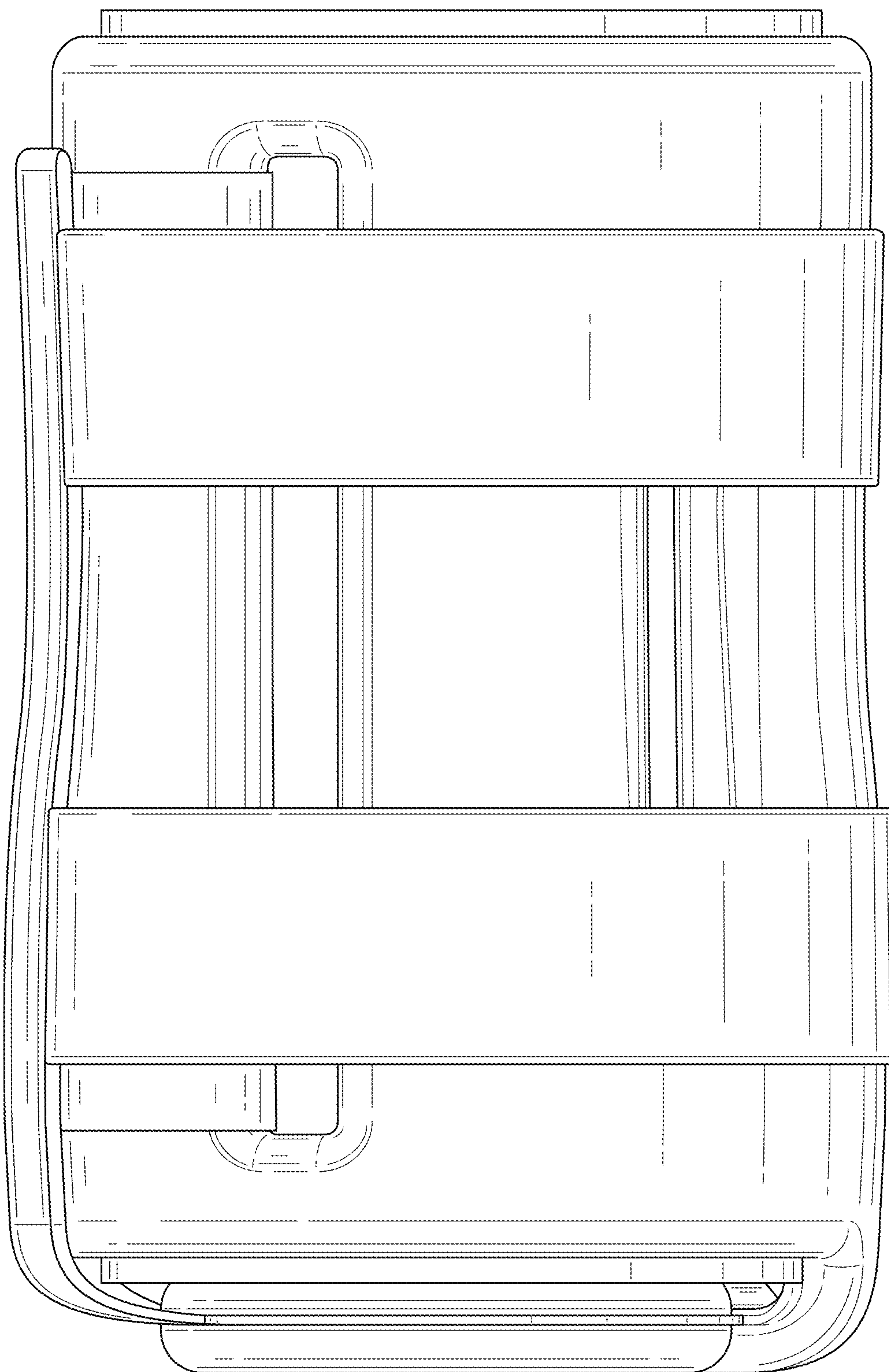


FIG. 18

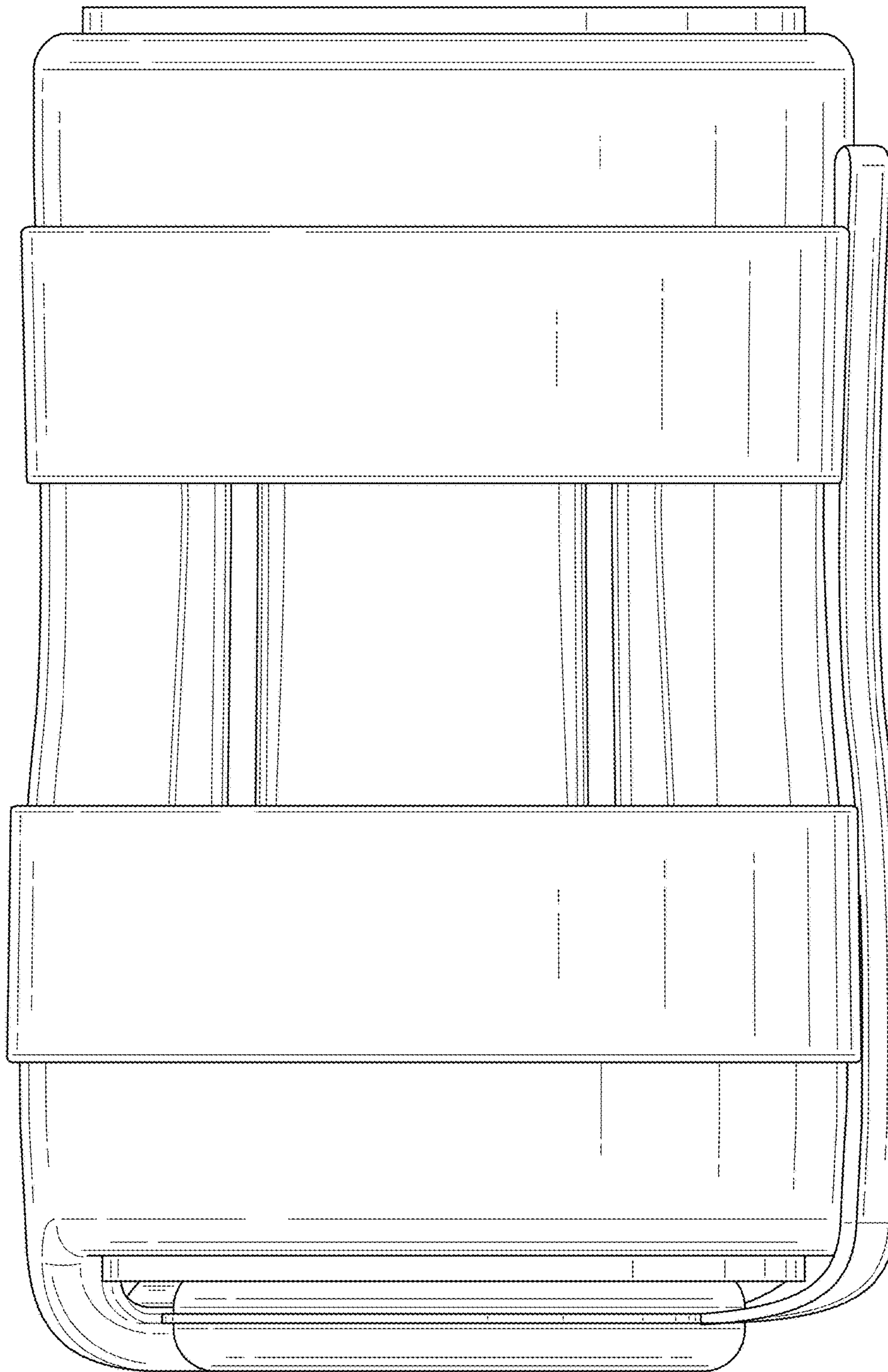


FIG. 19

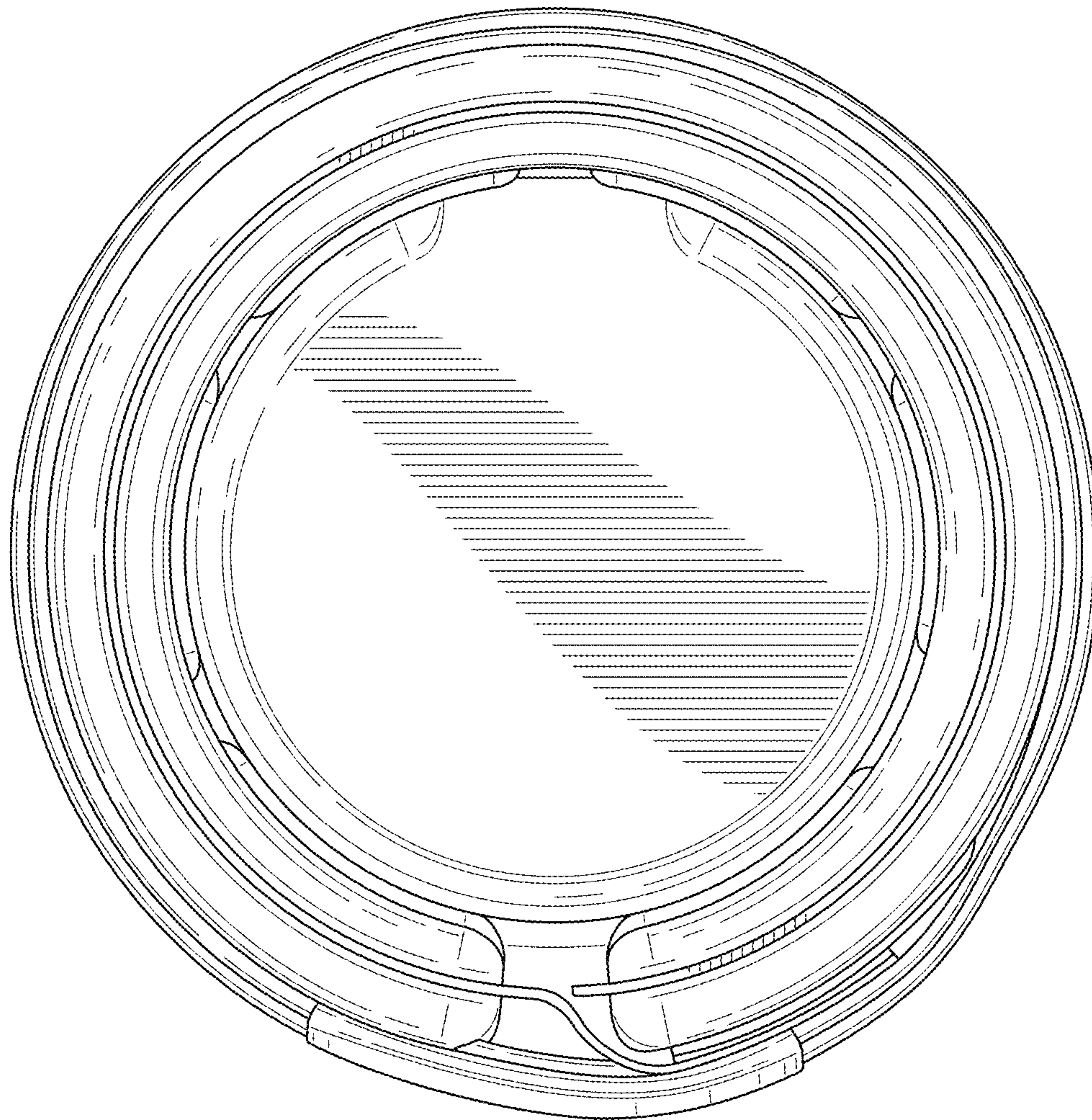


FIG. 20

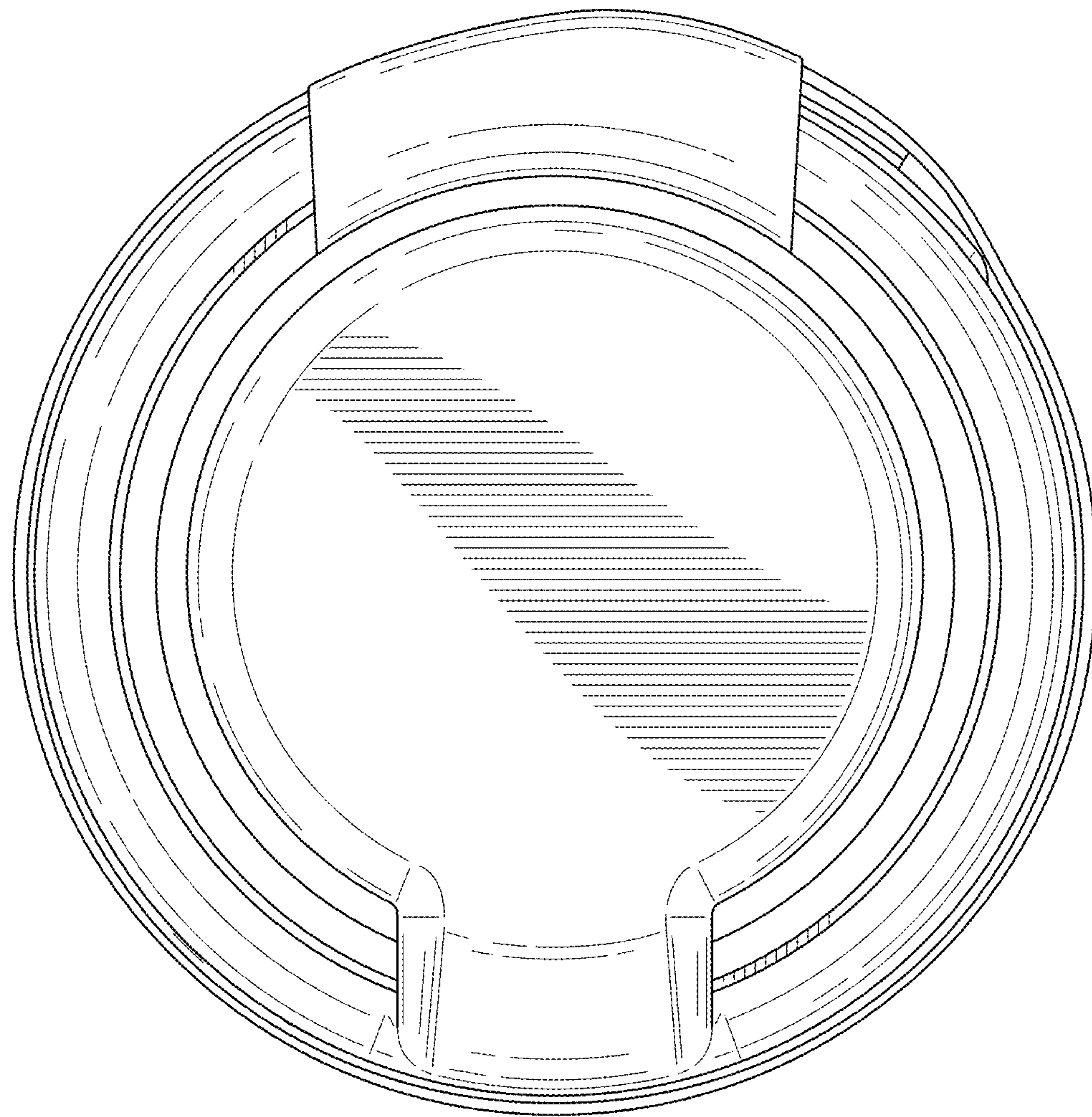


FIG. 21

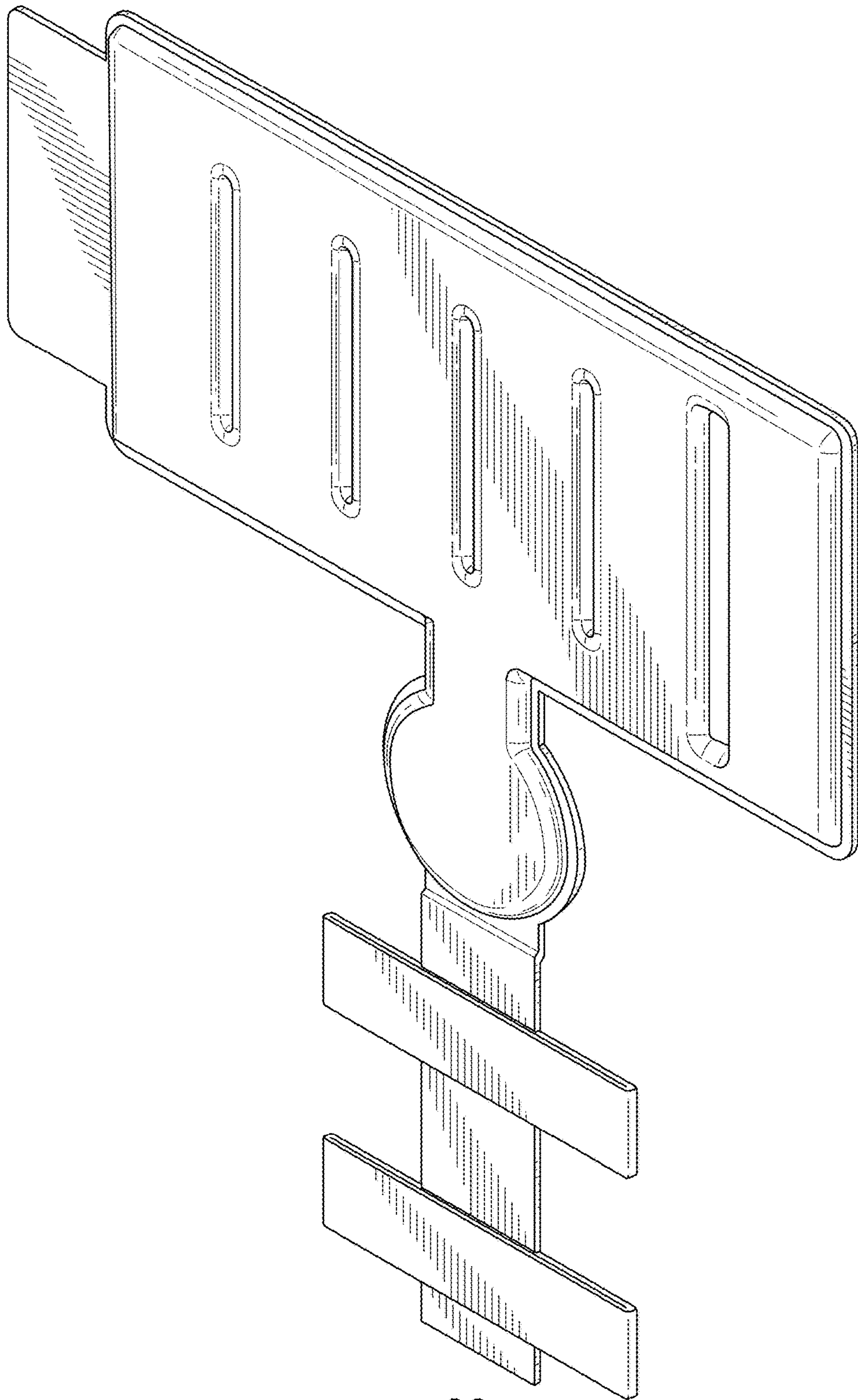


FIG. 22

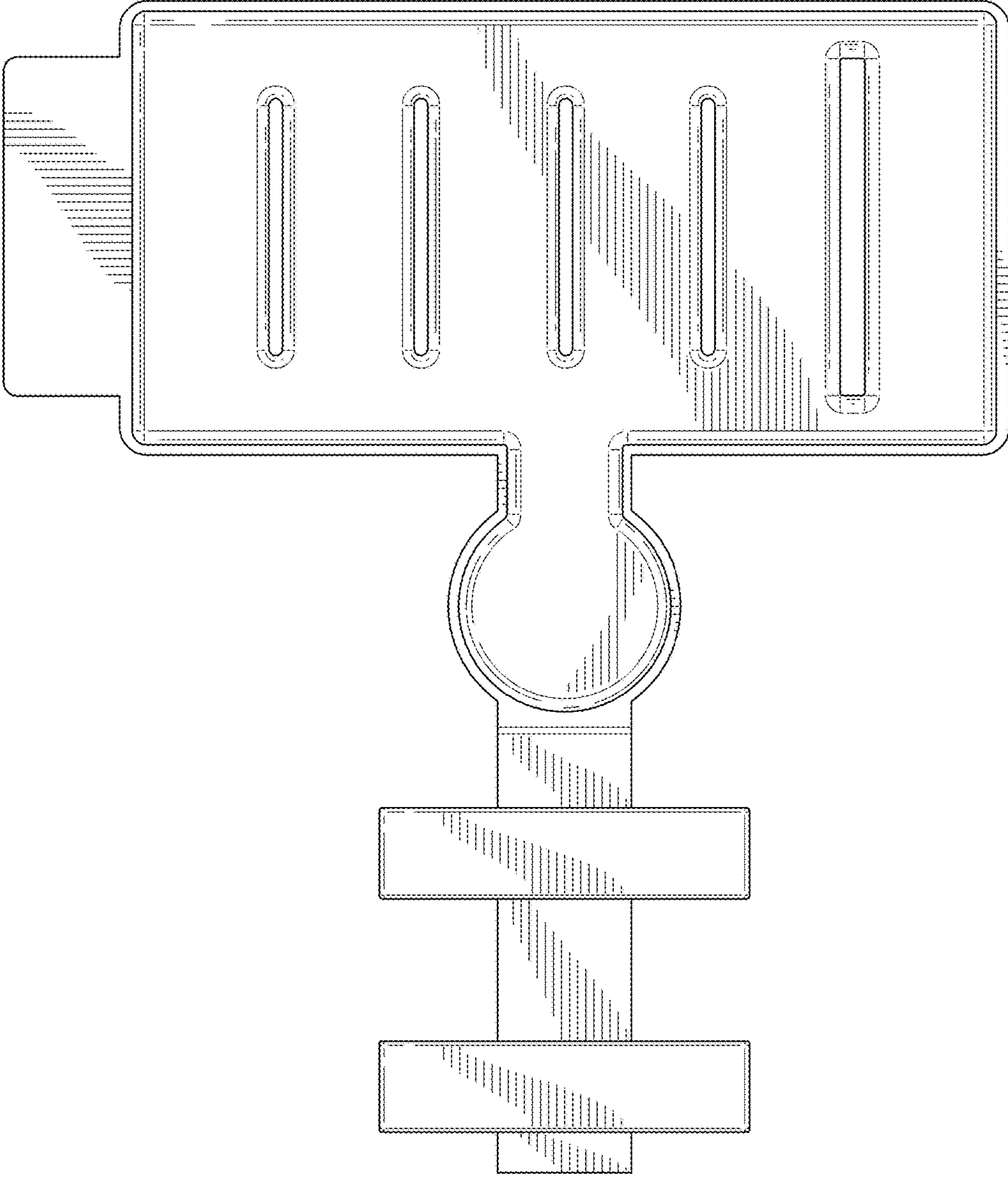


FIG. 23

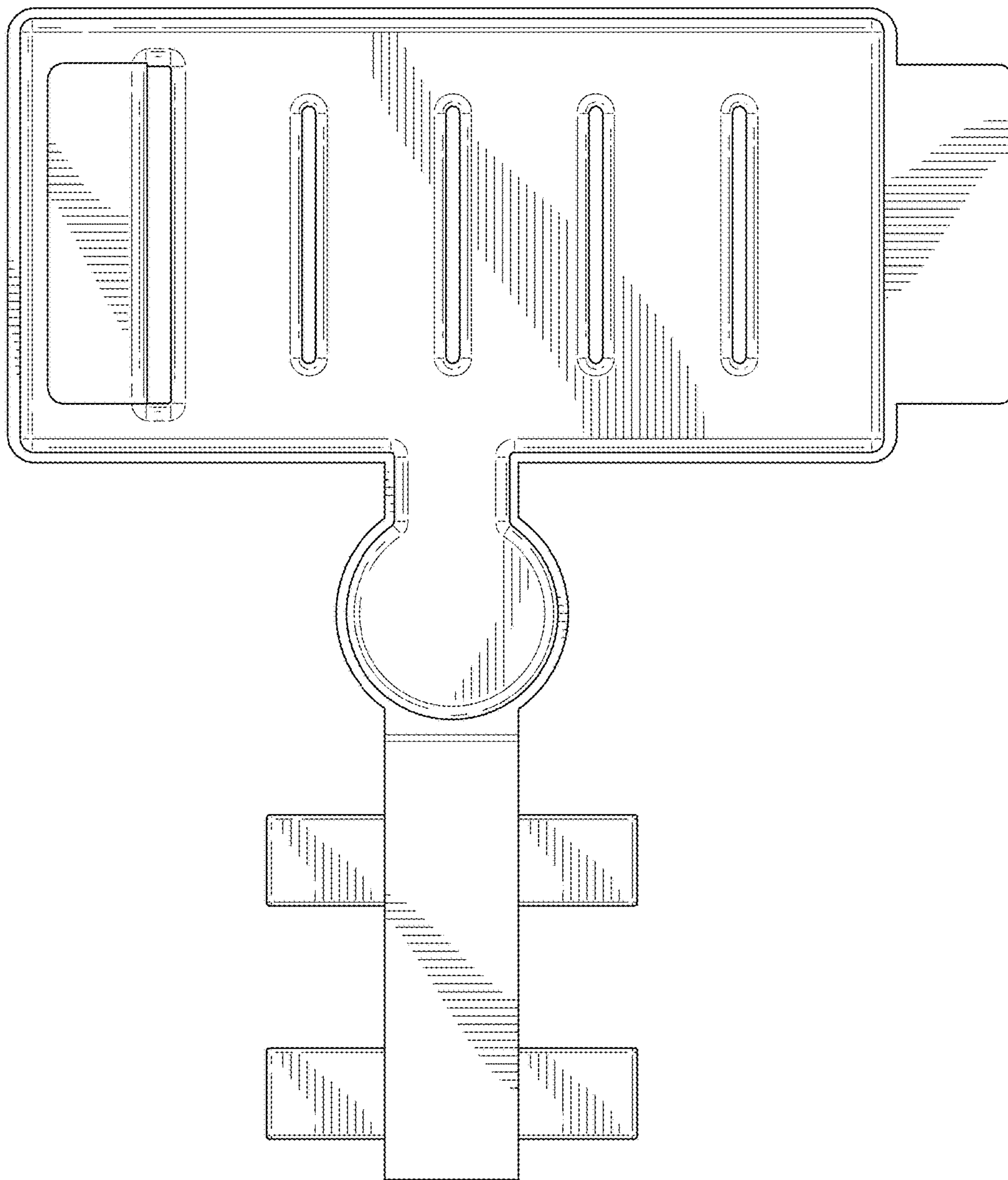


FIG. 24

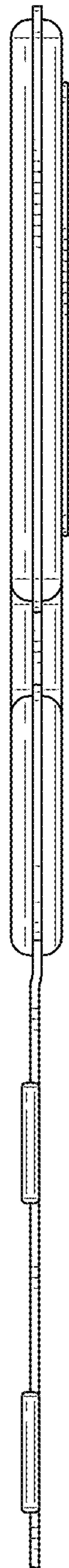


FIG. 25

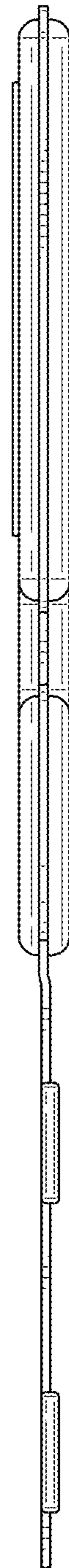


FIG. 26



FIG. 27

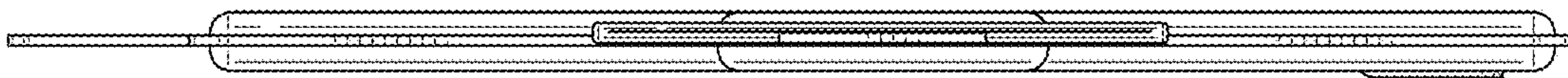


FIG. 28

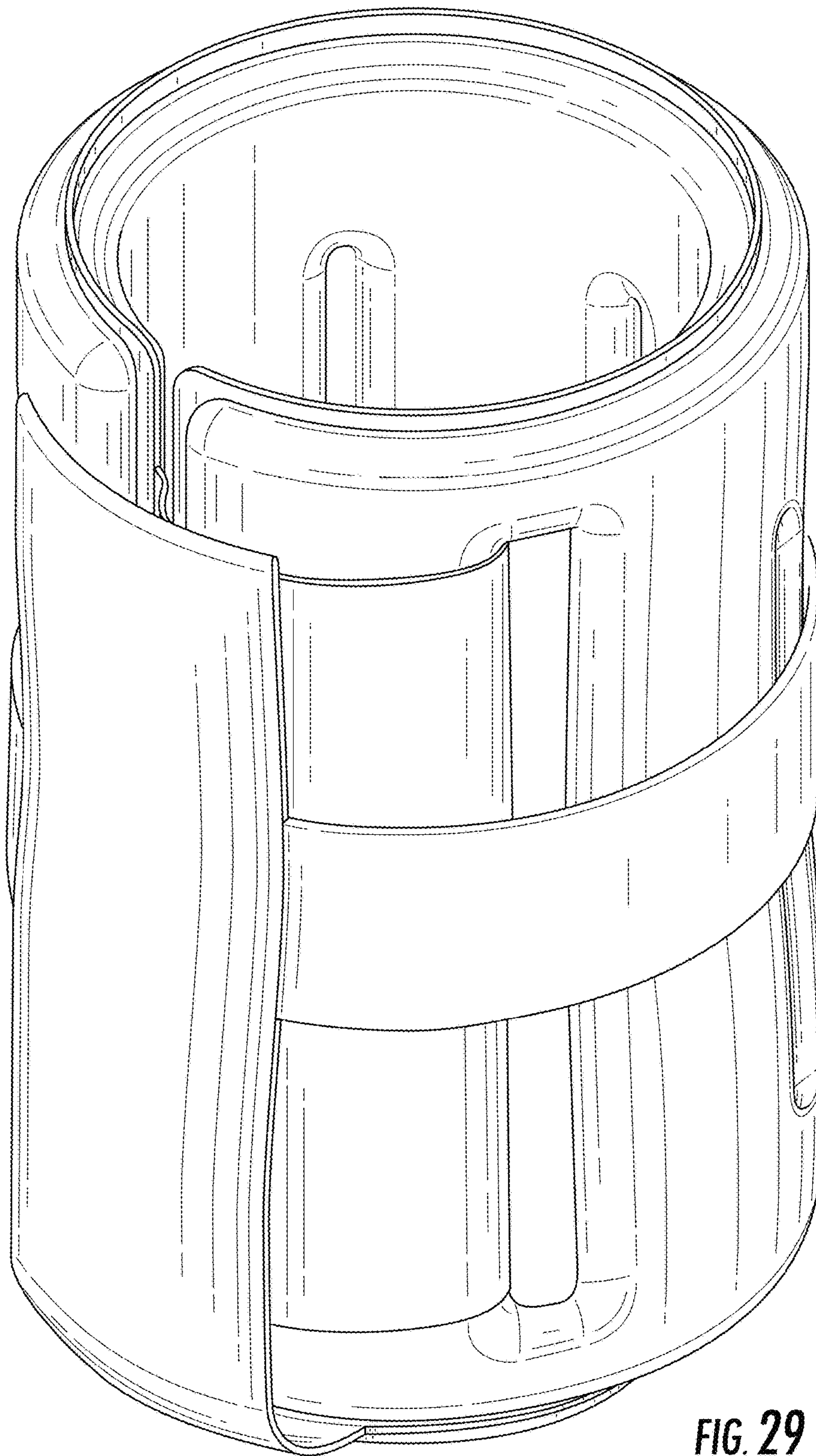


FIG. 29

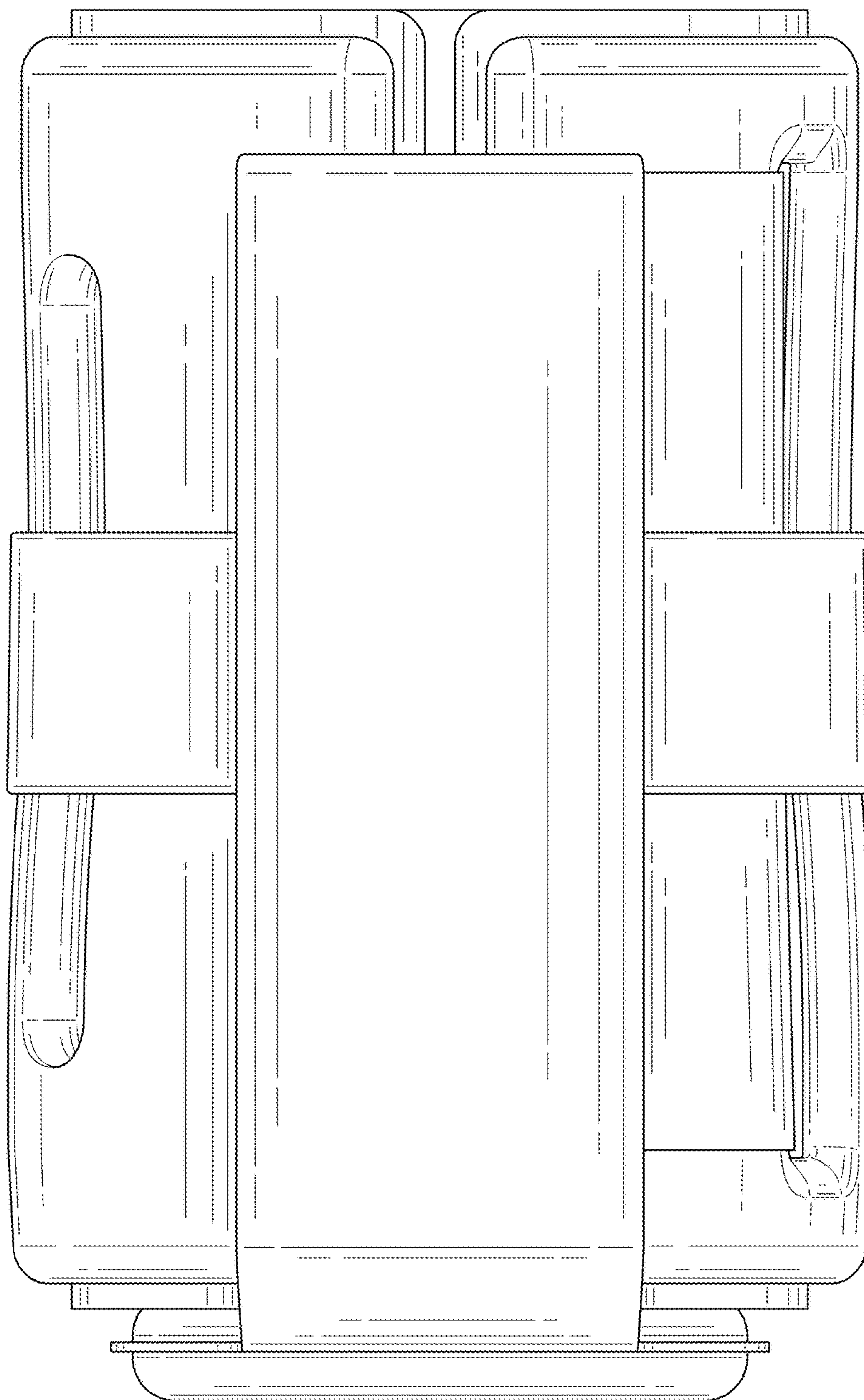


FIG. 30

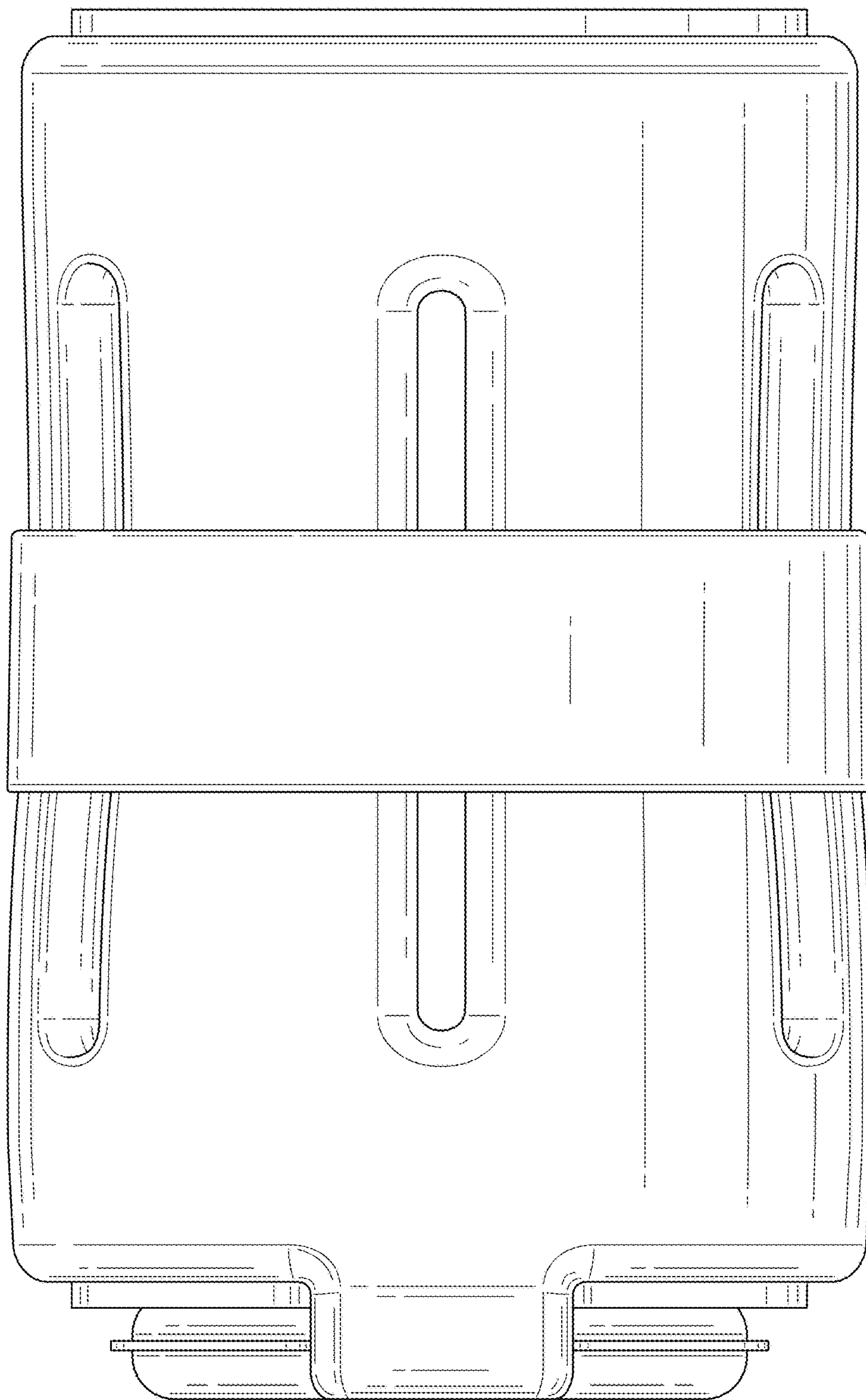


FIG. 31

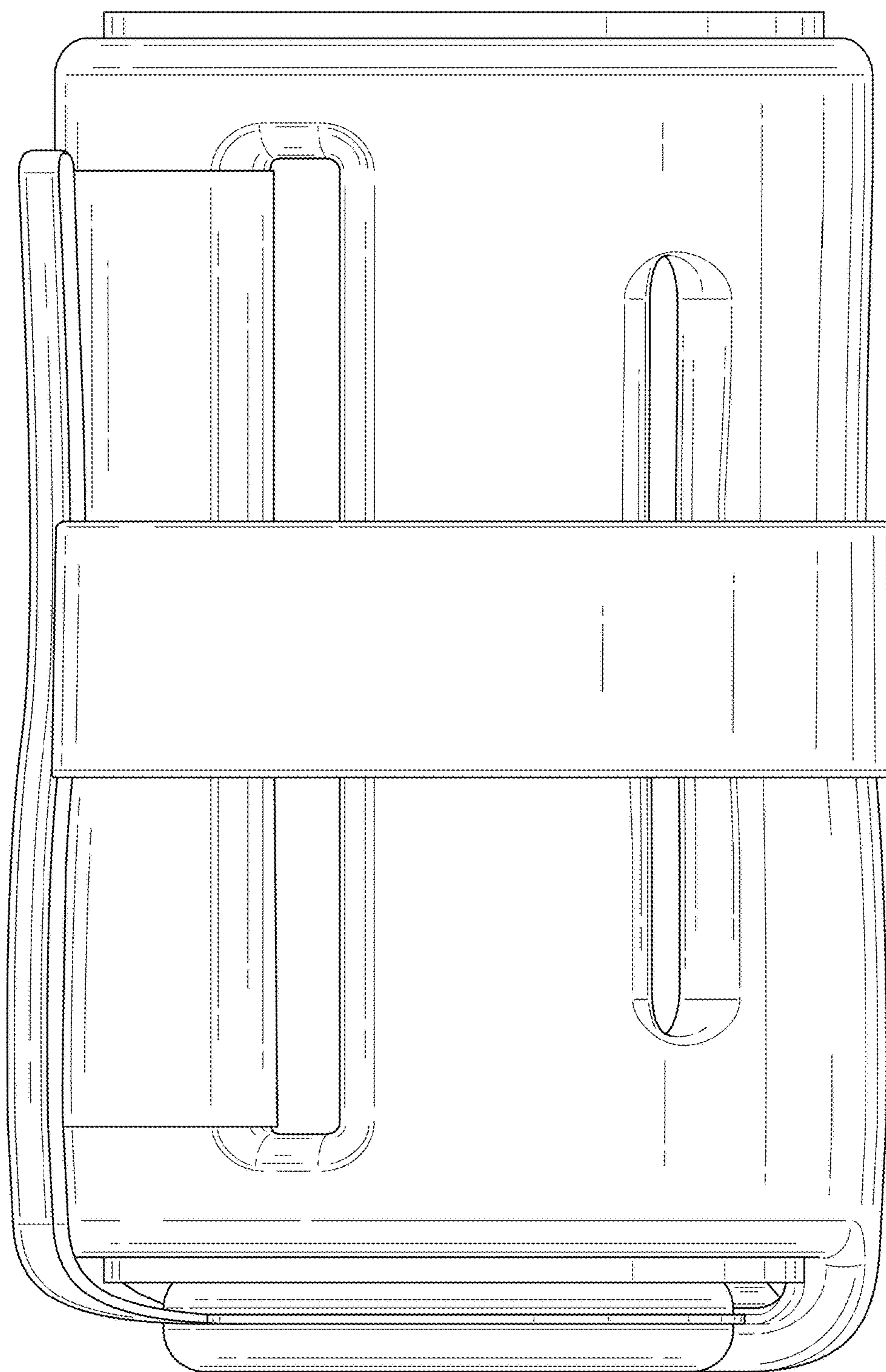


FIG. 32

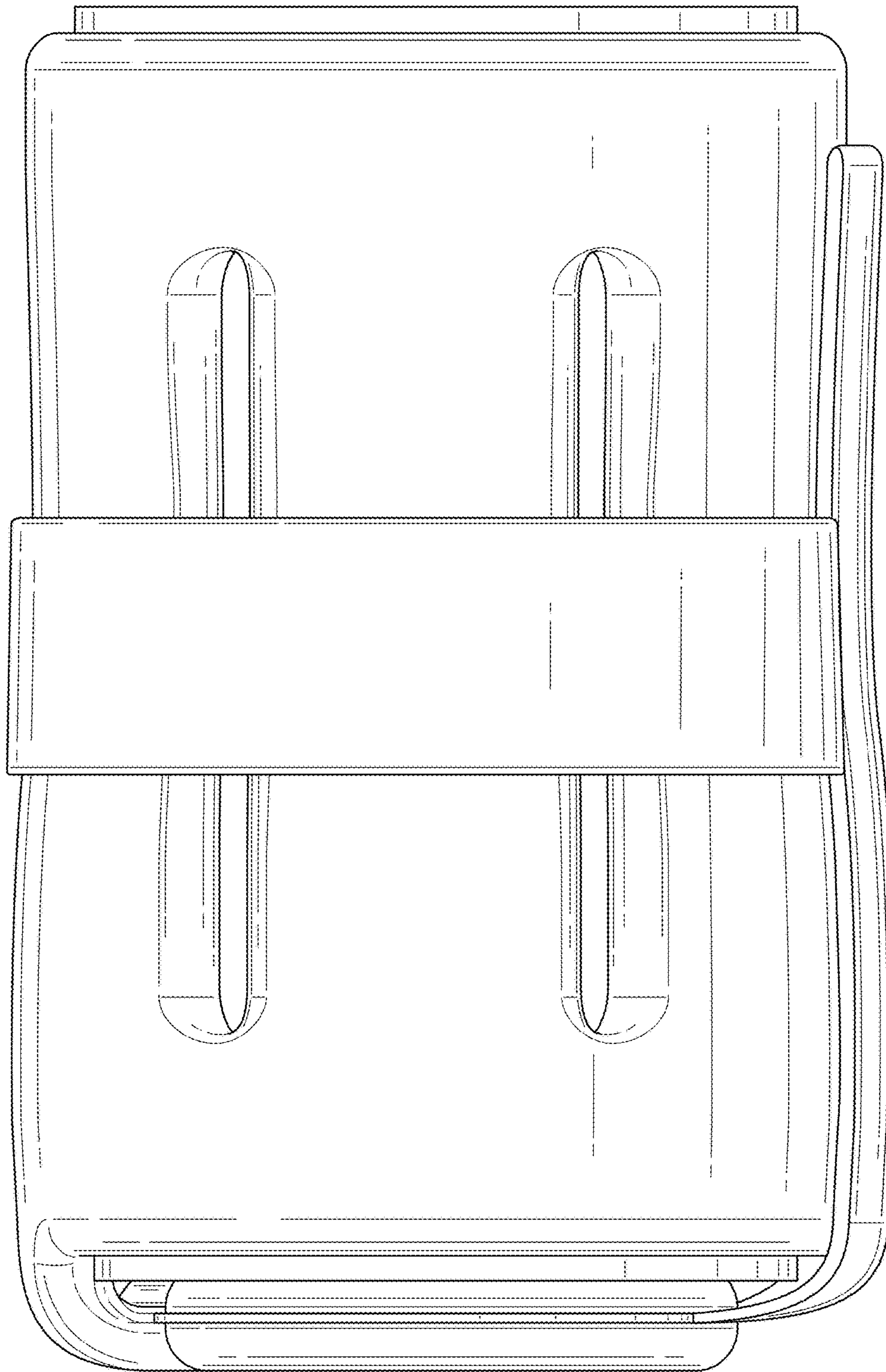


FIG. 33

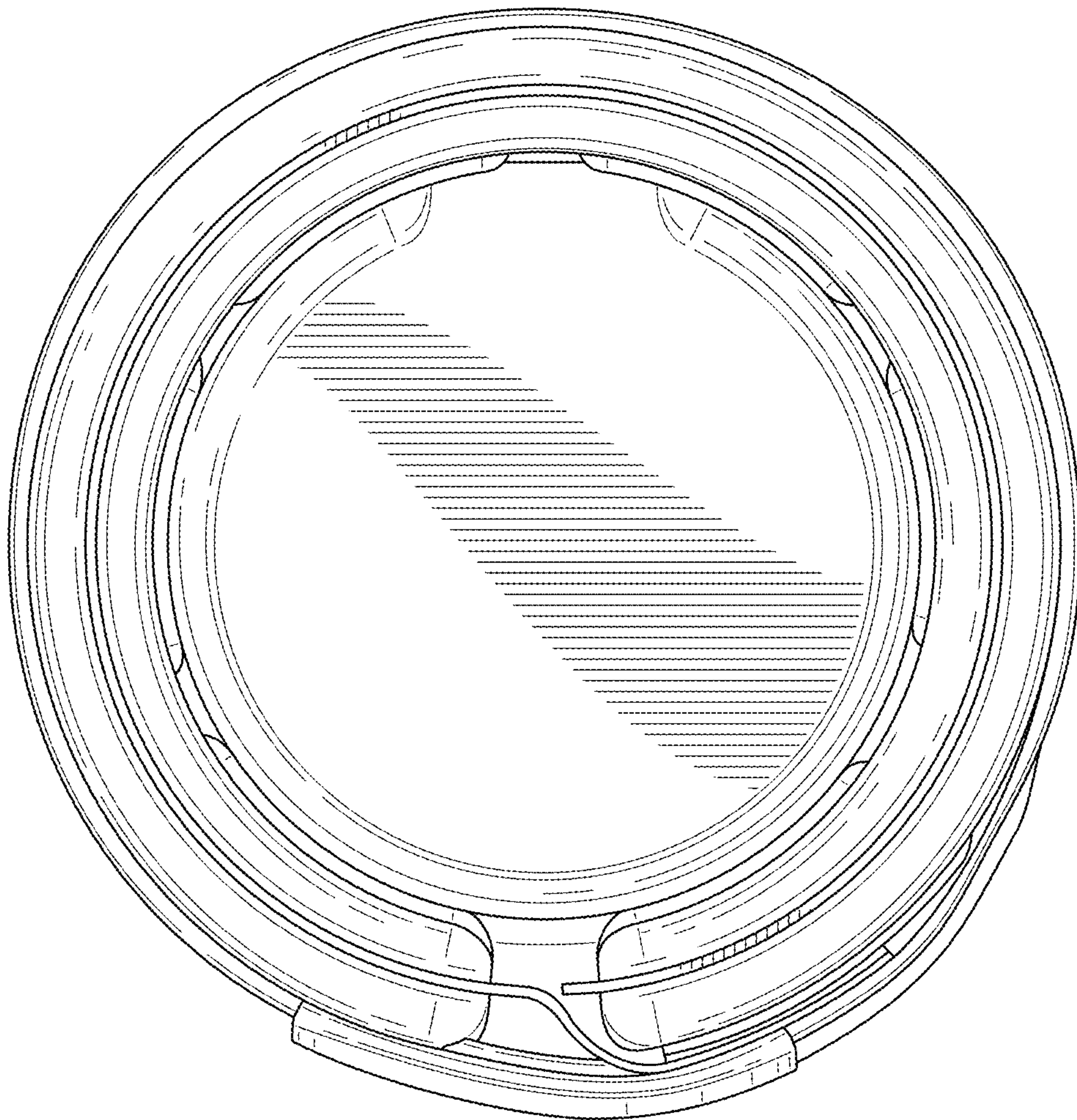


FIG. 34

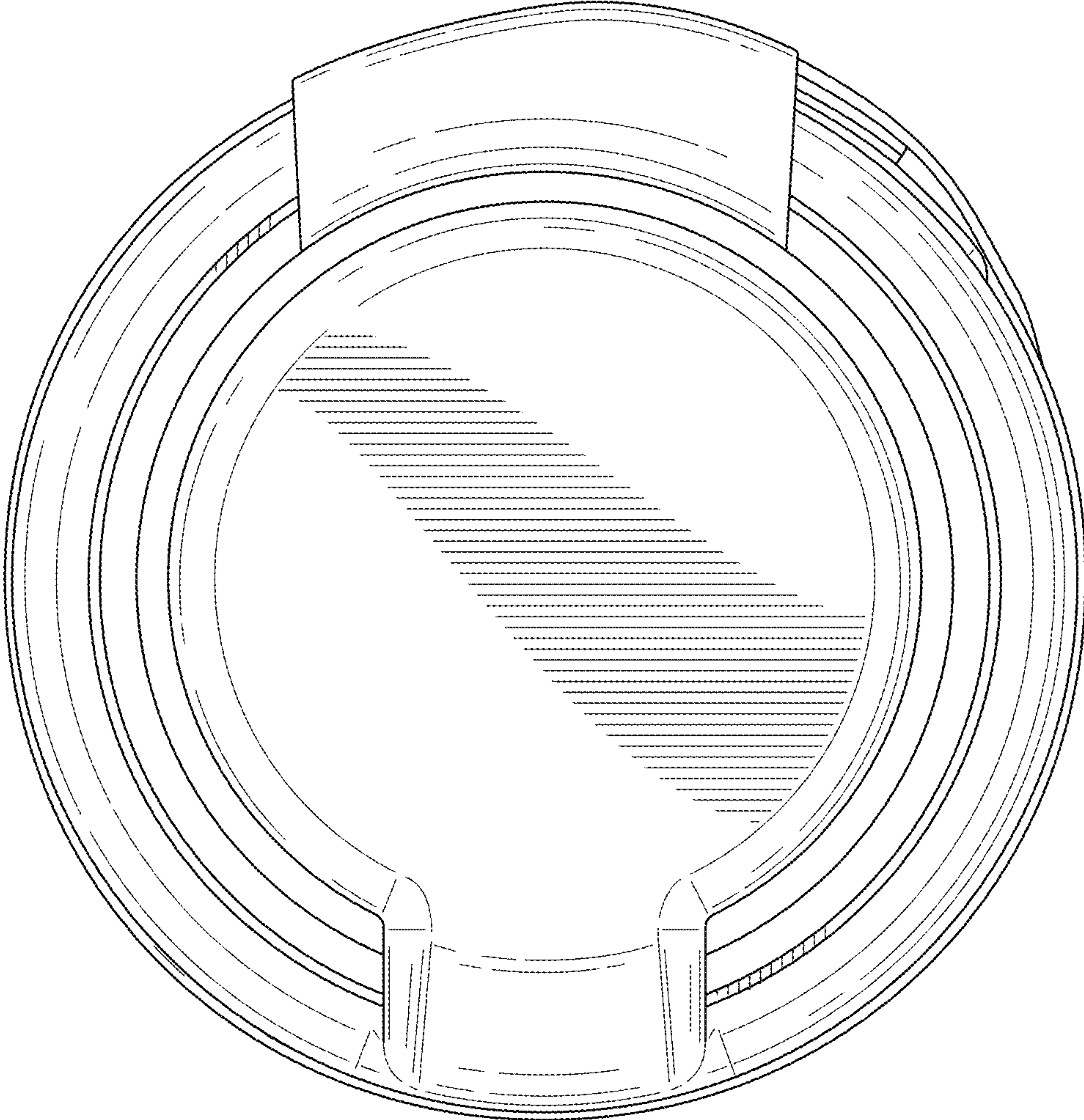


FIG. 35

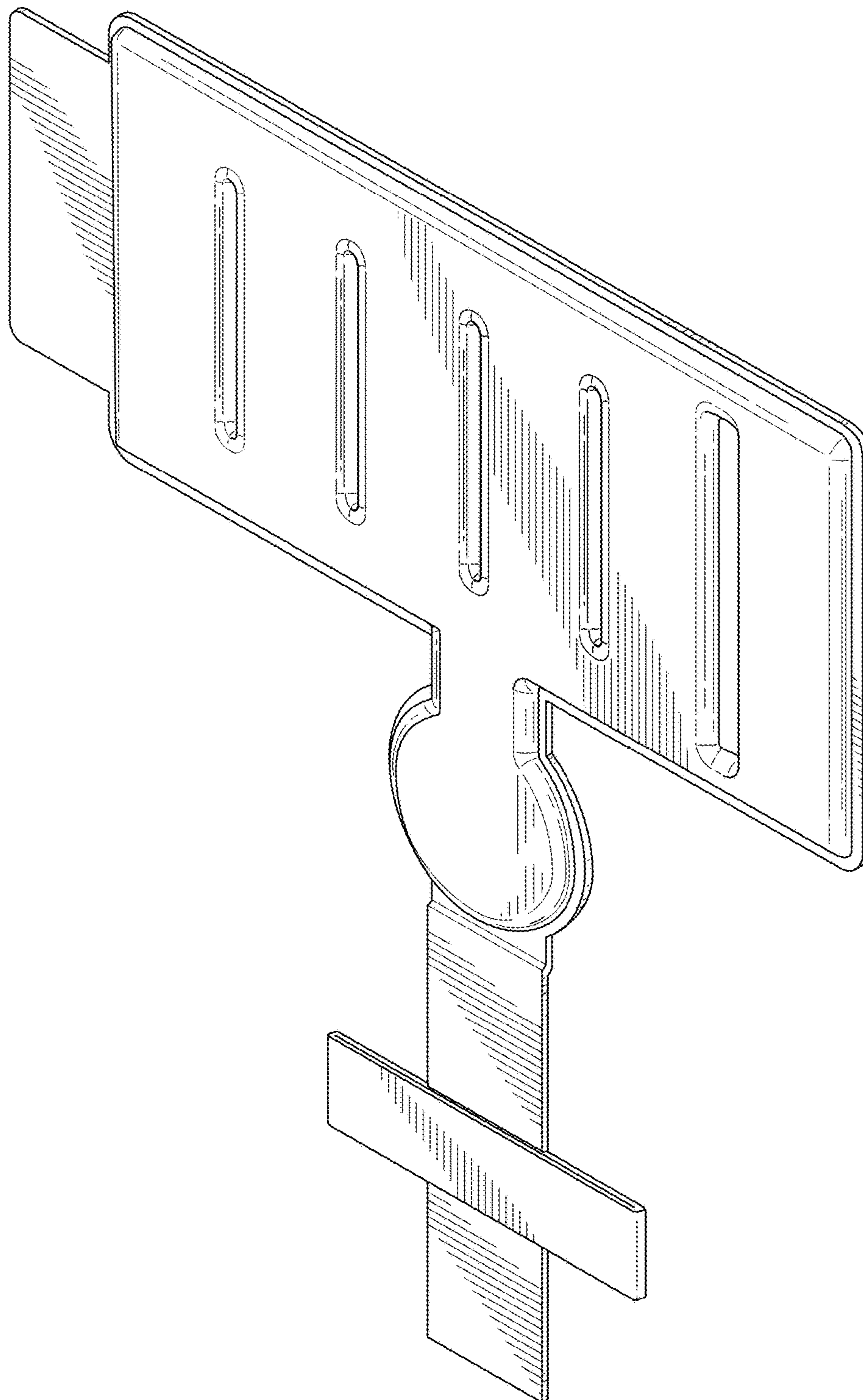


FIG. 36

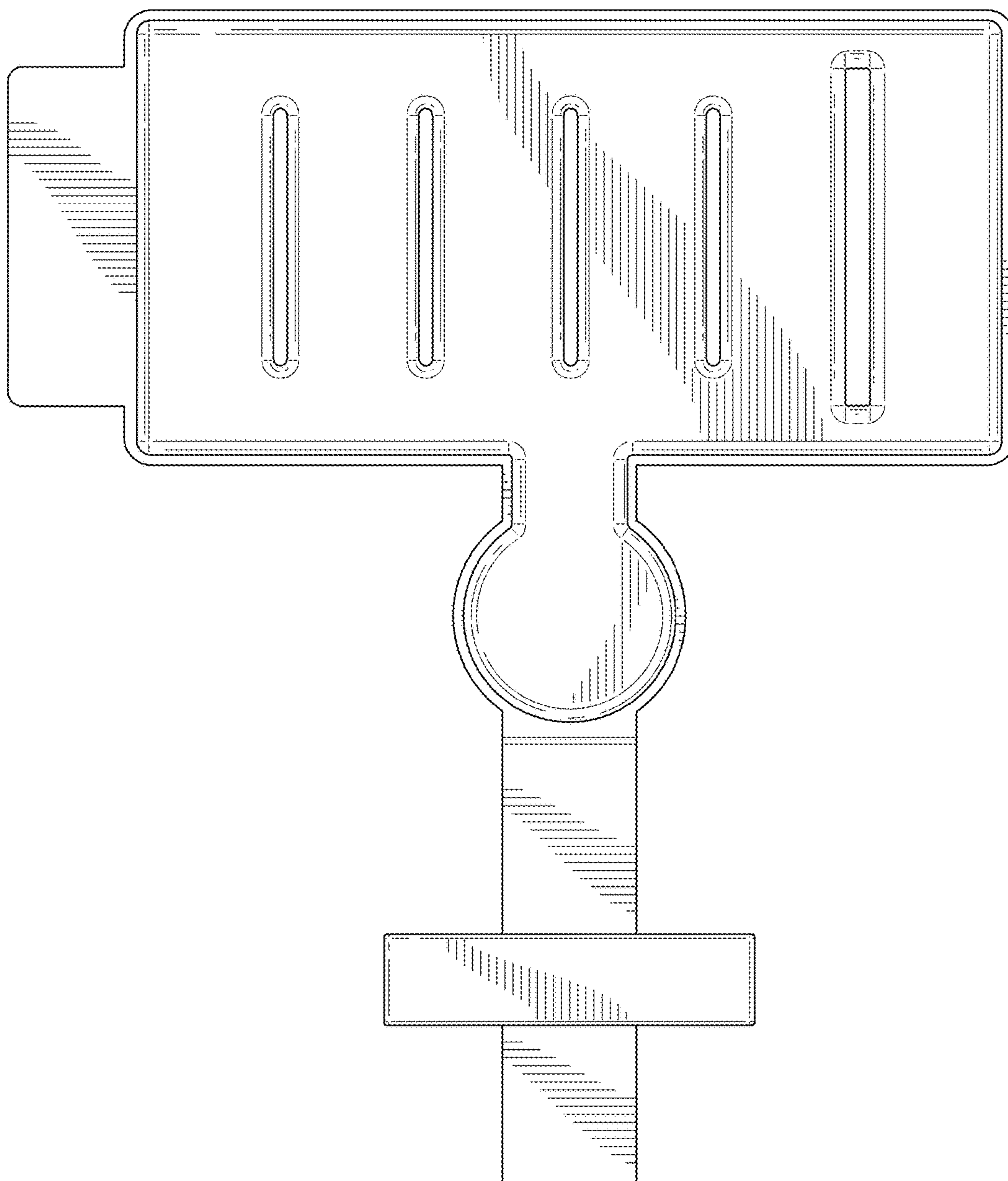


FIG. 37

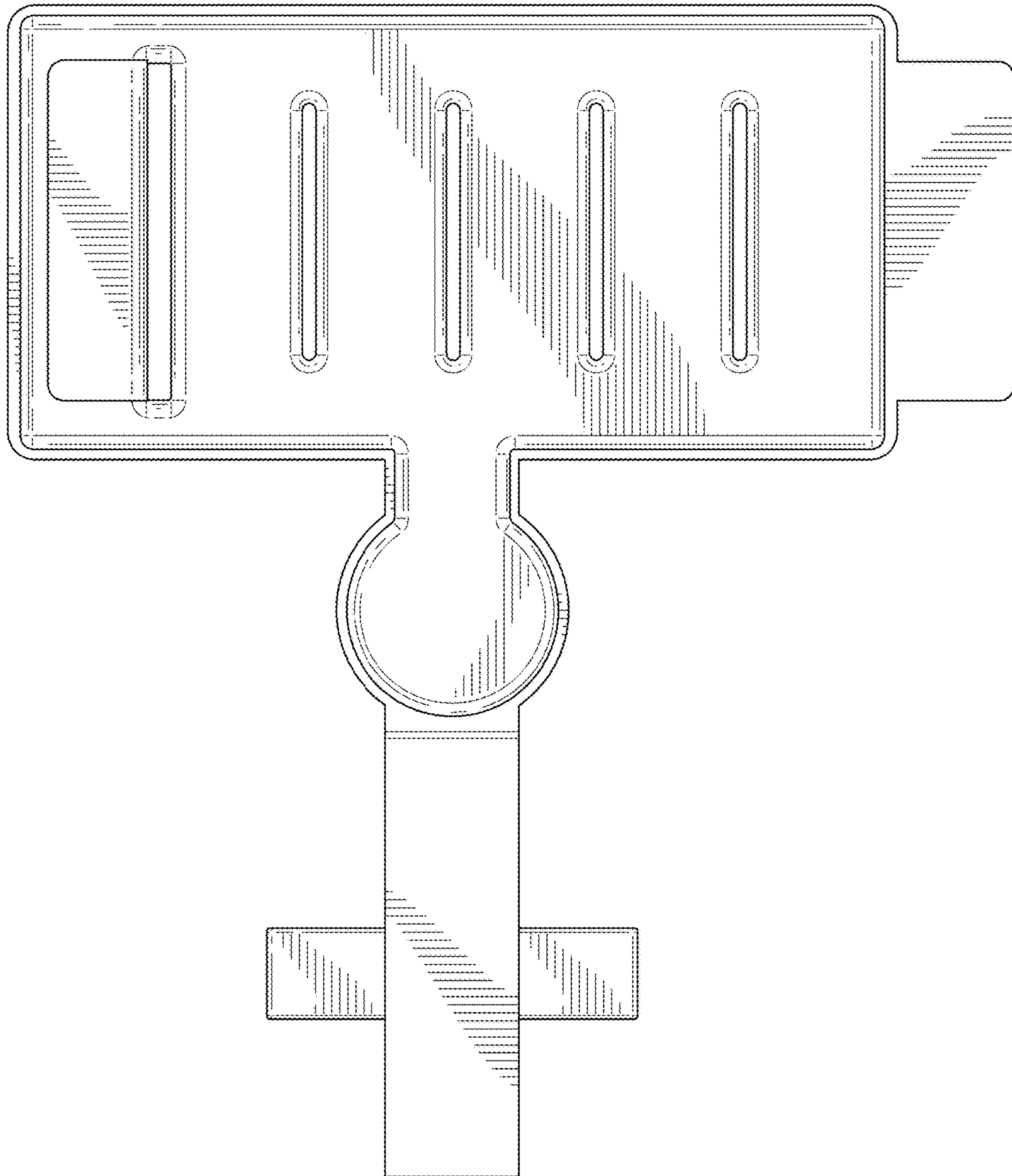


FIG. 38

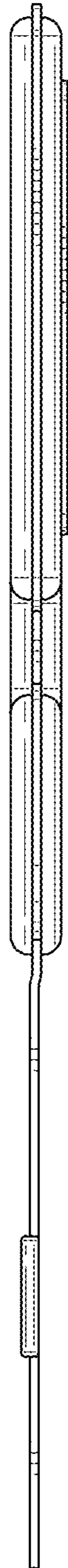


FIG. 39

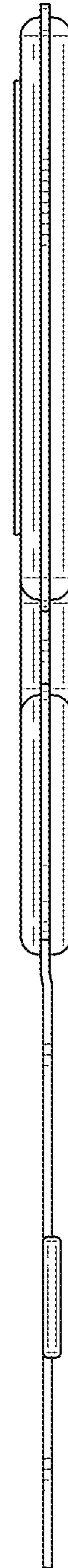


FIG. 40

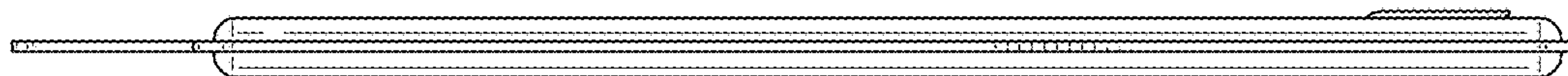


FIG. 41

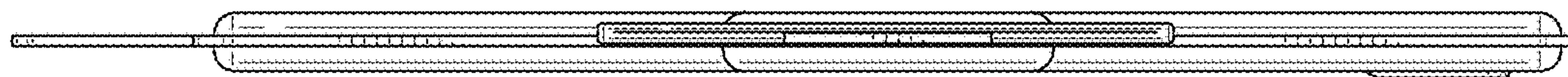


FIG. 42