



US00D832635S

(12) **United States Design Patent** (10) **Patent No.:** **US D832,635 S**
Berge (45) **Date of Patent:** **** Nov. 6, 2018**

(54) **POPCORN POPPER**

(71) Applicant: **National Presto Industries, Inc.**, Eau Claire, WI (US)

(72) Inventor: **Michael R. Berge**, Eau Claire, WI (US)

(73) Assignee: **National Presto Industries, Inc.**, Eau Claire, WI (US)

(**) Term: **15 Years**

(21) Appl. No.: **29/571,058**

(22) Filed: **Jul. 14, 2016**

(51) **LOC (11) Cl.** **31-00**

(52) **U.S. Cl.**
USPC **D7/325**

(58) **Field of Classification Search**
USPC D7/323, 325, 337, 339, 346-347, 350.1,
D7/350.4, 354, 362, 391, 602, 629, 665
(Continued)

(56) **References Cited**

U.S. PATENT DOCUMENTS

D256,019 S * 7/1980 Boldt D7/325
D260,649 S * 9/1981 Wondergem D7/325
(Continued)

Primary Examiner — Ricky Pham

(74) *Attorney, Agent, or Firm* — Schwegman Lundberg & Woessner, P.A.

(57) **CLAIM**

The ornamental design for a popcorn popper, as shown and described.

DESCRIPTION

FIG. 1 is a left side plan view of an appliance for popcorn popper device;
FIG. 2 is a rear plan view of the device in FIG. 1;
FIG. 3 is a right side plan view of the device in FIG. 1;

FIG. 4 is a front plan view of the device in FIG. 1;
FIG. 5 is a top plan view of the device in FIG. 1;
FIG. 6 is a bottom plan view of the device in FIG. 1;
FIG. 7 is a front perspective view of the device in FIG. 1;
FIG. 8 is a rear perspective view of the device in FIG. 1;
FIG. 9 is a left side view of a cover for a popcorn popper;
FIG. 10 is a front view of the device in FIG. 9;
FIG. 11 is a right side view of a device in FIG. 9;
FIG. 12 is a rear view of the device in FIG. 9;
FIG. 13 is a top view of the device in FIG. 9;
FIG. 14 is a bottom view of the device in FIG. 9;
FIG. 15 is a rear perspective view of the device in FIG. 9;
FIG. 16 is a front perspective view of the device in FIG. 9;
FIG. 17 is a left side view of a measuring cup usable with a kitchen appliance popcorn popper;
FIG. 18 is a front plan view of the device in FIG. 17;
FIG. 19 is a right side view of a device in FIG. 18;
FIG. 20 is a rear view of the device in FIG. 18;
FIG. 21 is a top view of the device in FIG. 18;
FIG. 22 is a bottom view of the device in FIG. 18;
FIG. 23 is a rear perspective view of the device in FIG. 18;
FIG. 24 is a front perspective view of the device in FIG. 18;
FIG. 25 is a left side plan view of a base for a popcorn popper;
FIG. 26 is a front view of the device in FIG. 25;
FIG. 27 is a right side view of a device in FIG. 25;
FIG. 28 is a rear view of the device in FIG. 25;
FIG. 29 is a top view of the device in FIG. 25;
FIG. 30 is a bottom view of the device in FIG. 25;
FIG. 31 is a front perspective view of the device in FIG. 25;
FIG. 32 is a rear perspective view of the device in FIG. 25;
FIG. 33 is a left side plan view of a receiving container for a popcorn popper;
FIG. 34 is a front view of the device in FIG. 33;
FIG. 35 is a right side view of the device in FIG. 34;
FIG. 36 is a rear view of a device in FIG. 34;
FIG. 37 is a bottom view of the device in FIG. 34;
FIG. 38 is a top view of the device in FIG. 34;
FIG. 39 is a front perspective view of the device in FIG. 34;
FIG. 40 is a rear perspective view of the device in FIG. 34;
FIG. 41 is a front plan view showing a notch passage in the sidewall;
FIG. 42 is a rear view of the device in FIG. 41;
FIG. 43 is a top view of the device in FIG. 42;

(Continued)

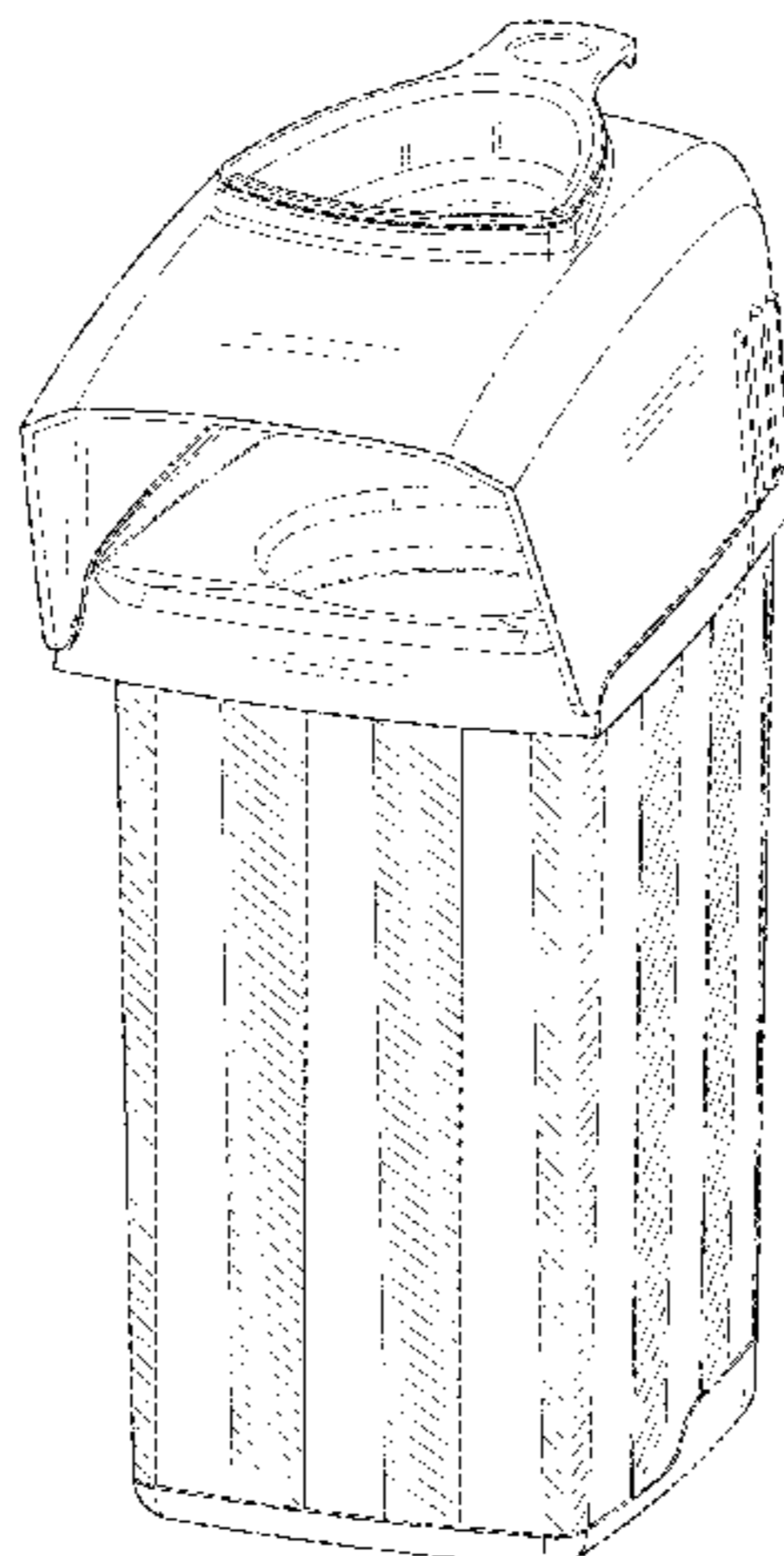


FIG. 44 is a bottom view of the device in FIG. 42;
FIG. 45 is a front perspective view showing a notch passage of the device in FIG. 42;
FIG. 46 is a rear perspective of a device in FIG. 42; and,
FIG. 47 is a right side cross-section with portions broken away to show the notch passage which provides access to a lower space at the bottom of the base.
Broken lines in the drawings are included for the purpose of illustrating an environment and form no part of the claimed design.

1 Claim, 47 Drawing Sheets

(58) **Field of Classification Search**

CPC A23F 5/046; A23L 1/01; A23L 1/0128;
A23L 1/10; A23L 1/18; A23L 1/1802;
A23L 1/1812; A23L 1/1815; A23L
1/1817; A23L 1/217; A23L 7/187; A23P
1/14; A23P 1/142; A23P 1/144; A23P
1/146; A23P 1/148; A47J 27/004; A47J

36/027; A47J 36/06; B65D 81/34; B65D
81/3407; B65D 81/3446; B65D 81/3453

See application file for complete search history.

(56)

References Cited

U.S. PATENT DOCUMENTS

D262,426 S * 12/1981 Bluestein D7/325
4,494,314 A * 1/1985 Gell, Jr. A23N 12/08
219/502
D279,070 S * 6/1985 Morrison D7/325
D279,448 S * 7/1985 Spoeth, Jr. D7/325
4,702,158 A * 10/1987 Ishihara A23L 7/187
219/400
D294,673 S * 3/1988 Solomon D7/325
D298,202 S * 10/1988 Levin D7/325
D317,238 S * 6/1991 Busick D7/325
D343,097 S * 1/1994 Cesari D7/665
5,501,139 A * 3/1996 Lee A23L 7/187
99/323.5
D642,006 S * 7/2011 Seymour D7/325

* cited by examiner

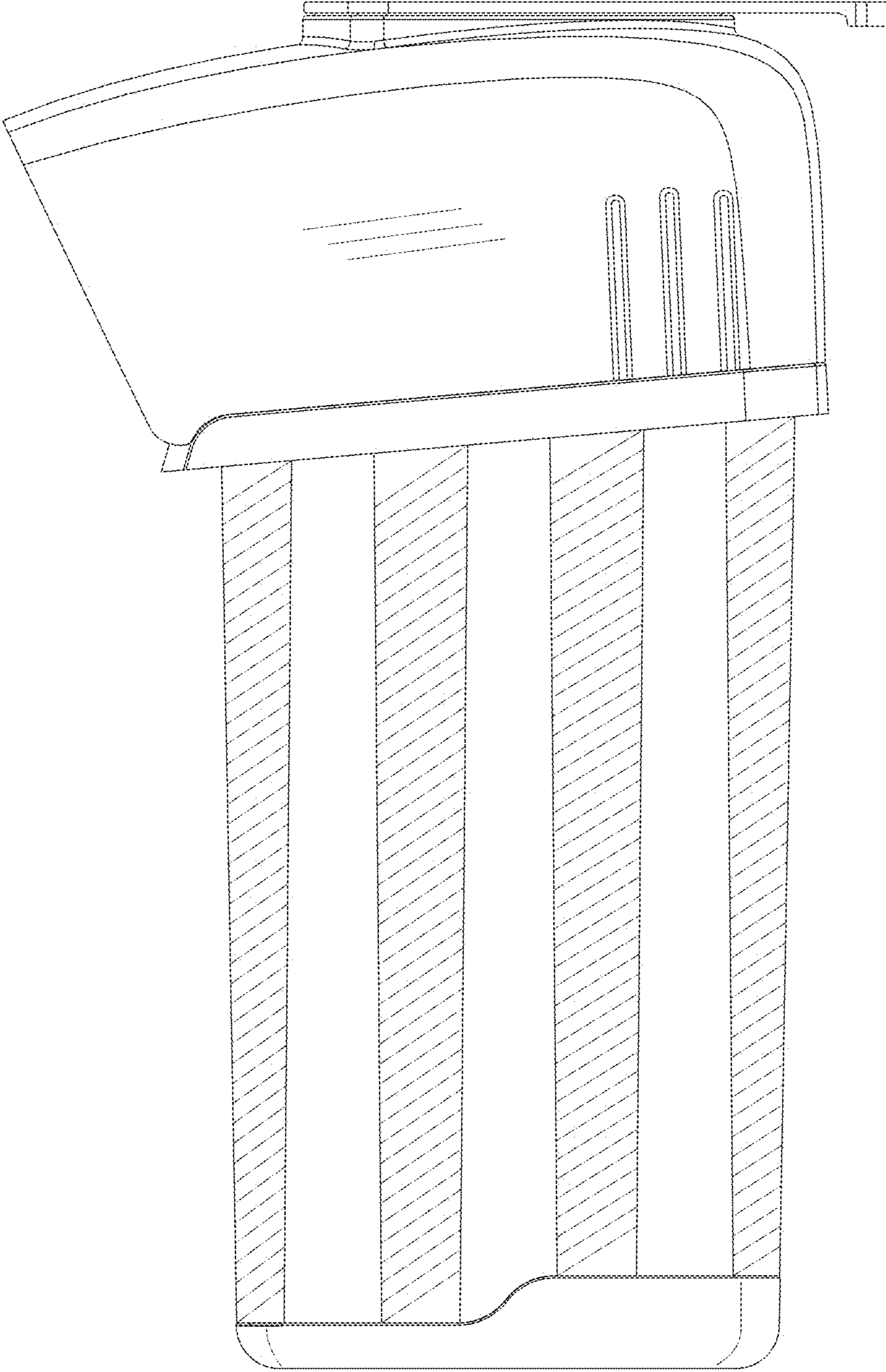


FIG. 1

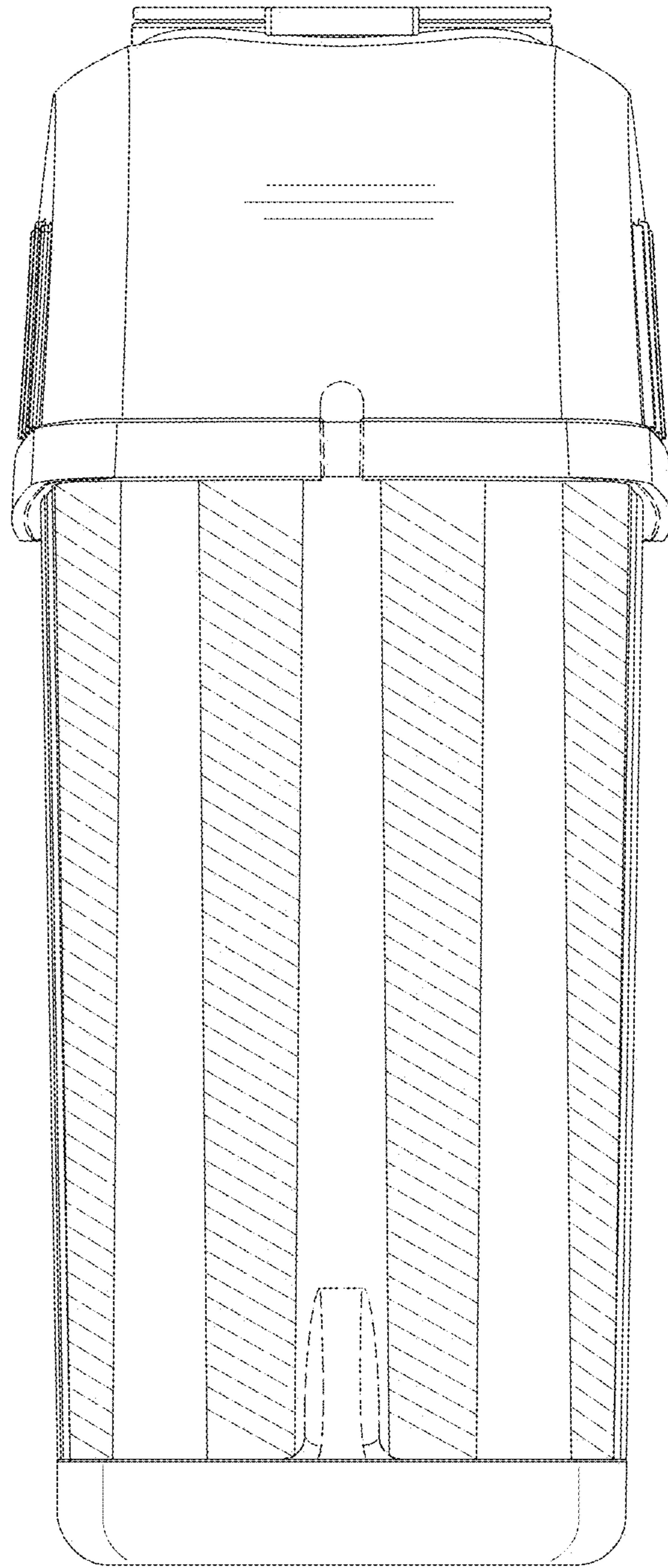


FIG. 2

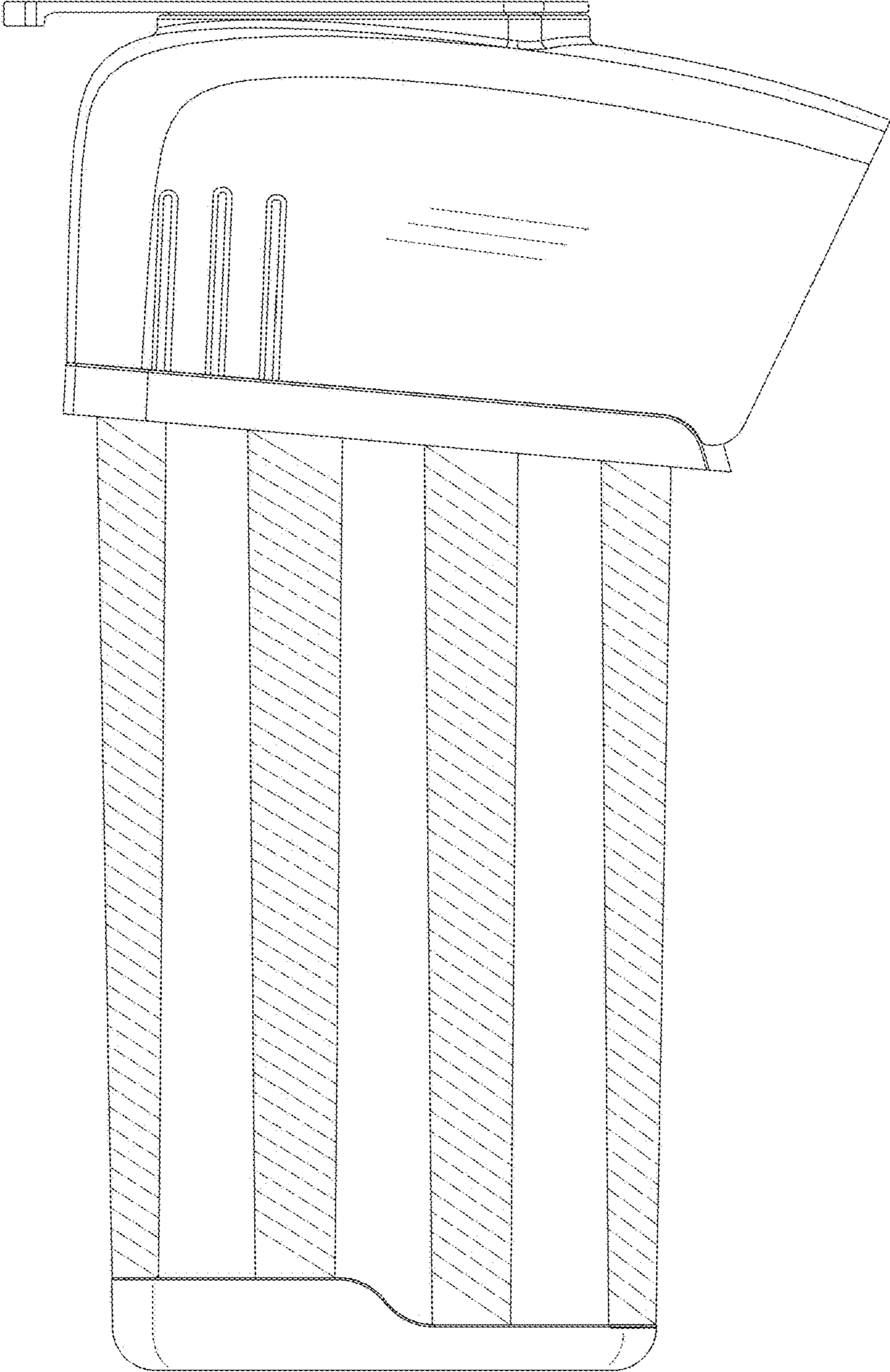


FIG. 3

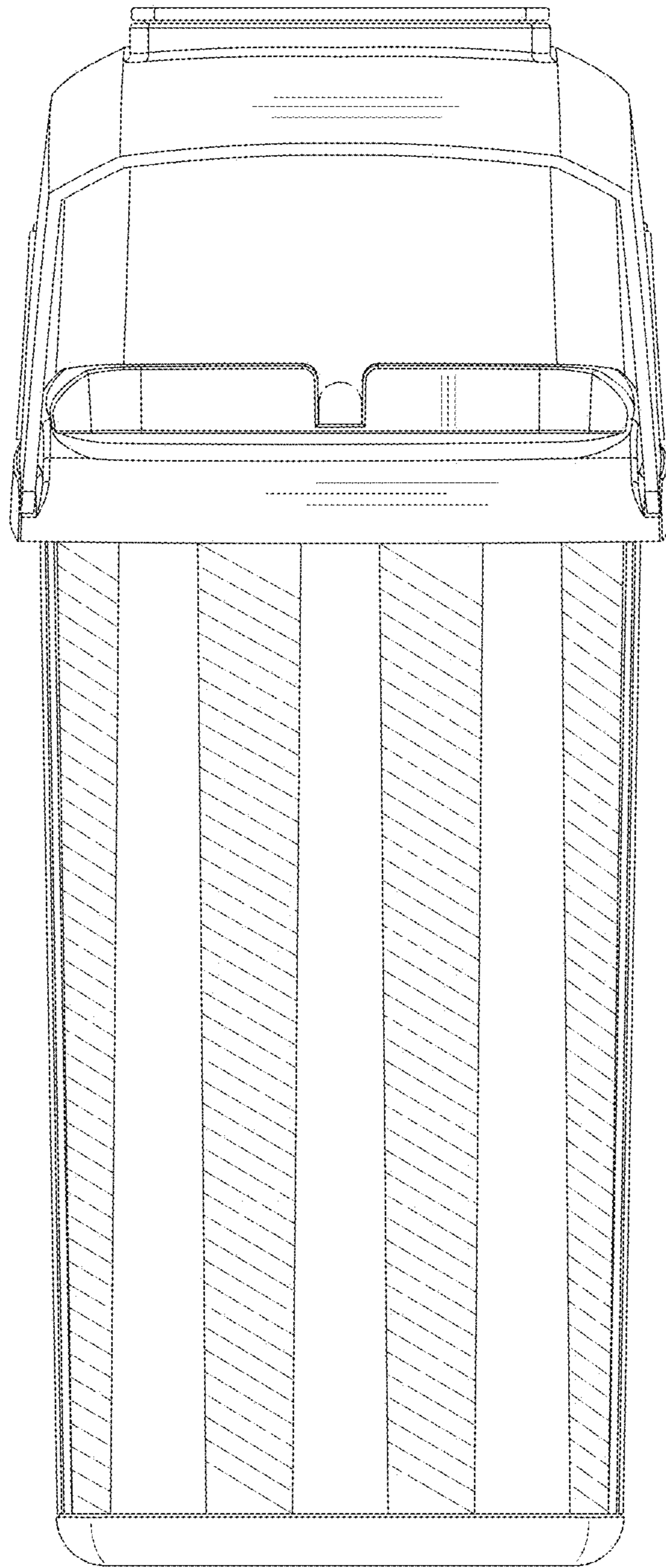


FIG. 4

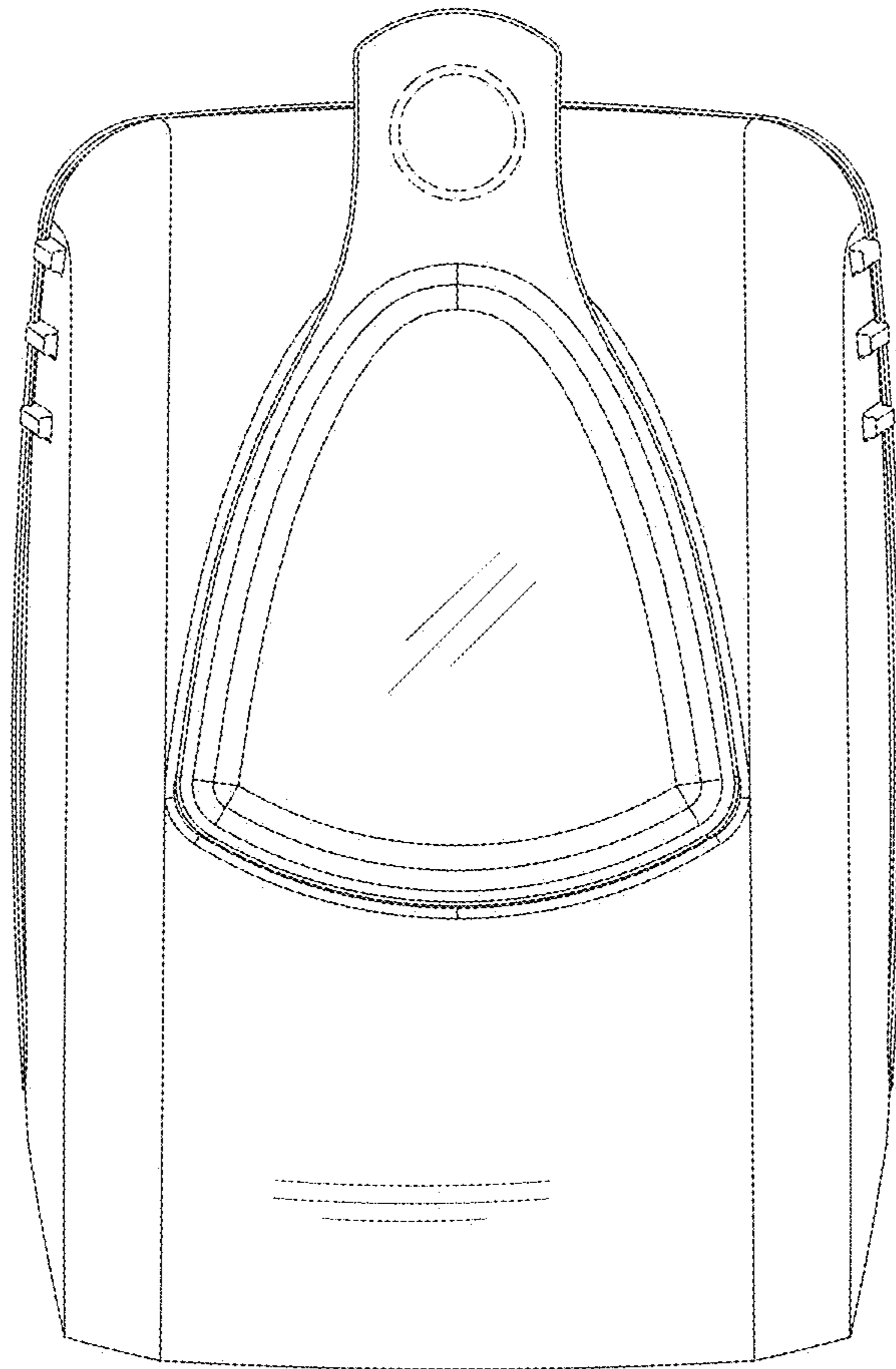


FIG. 5

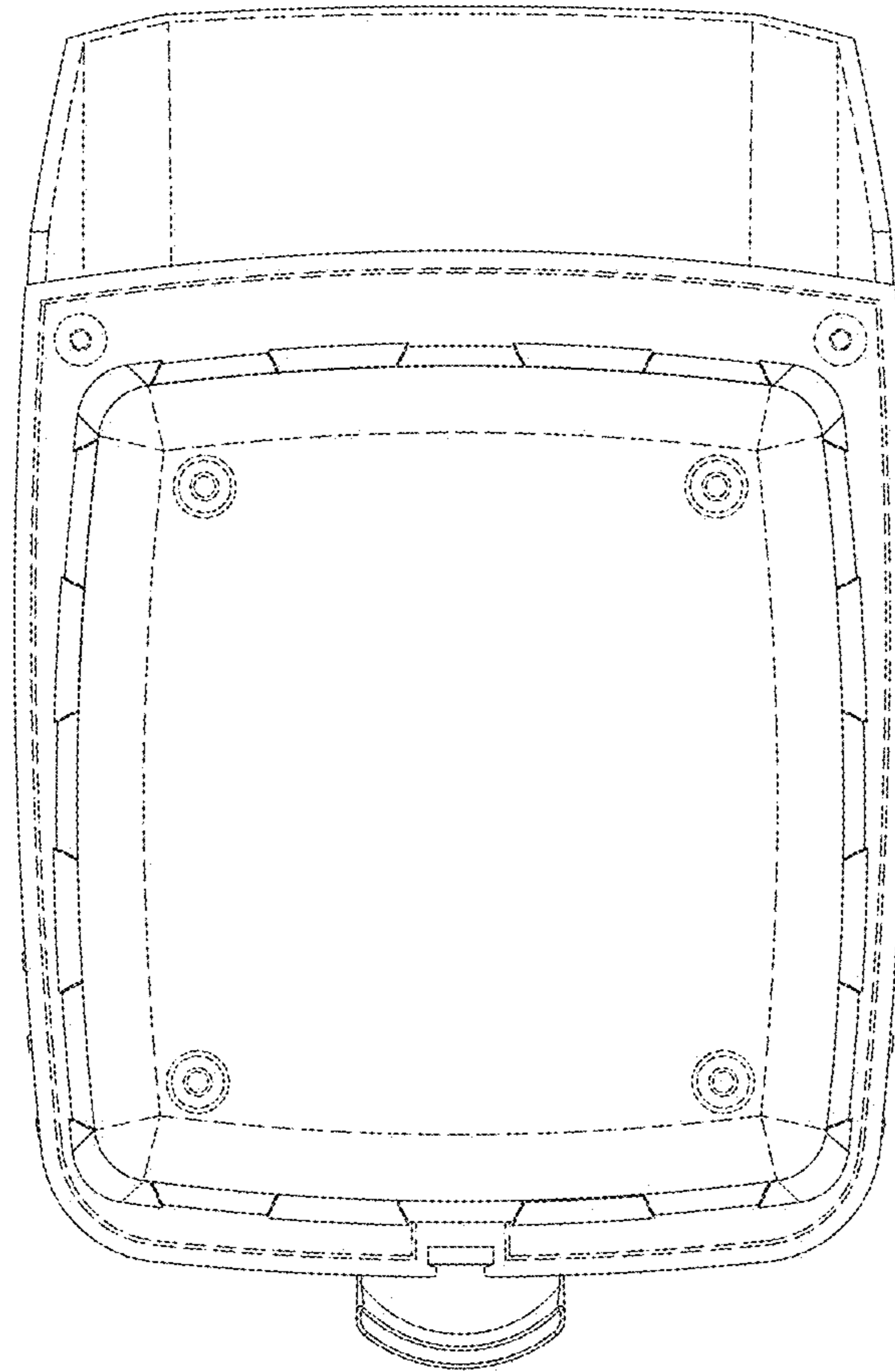


FIG. 6

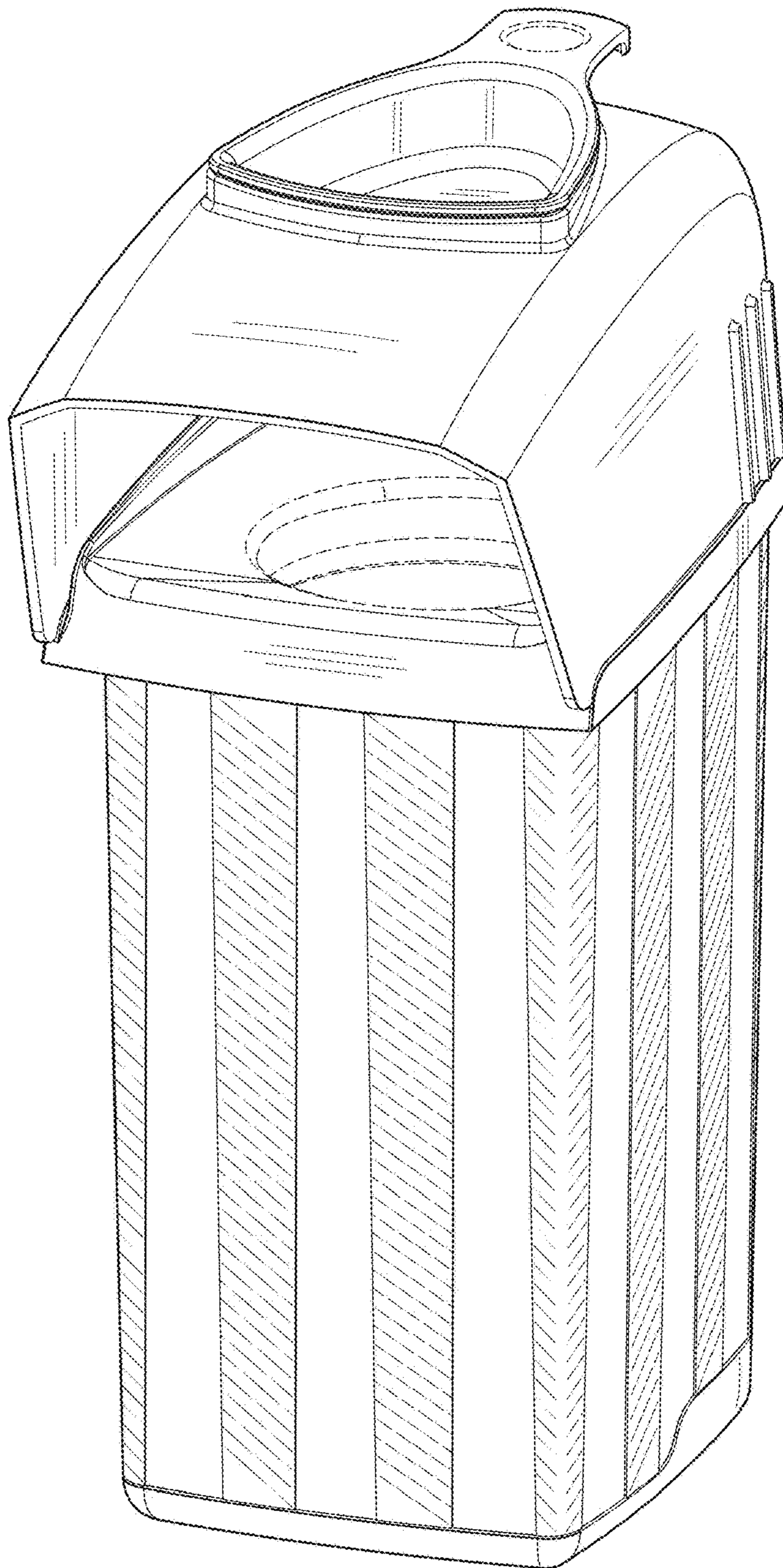


FIG. 7

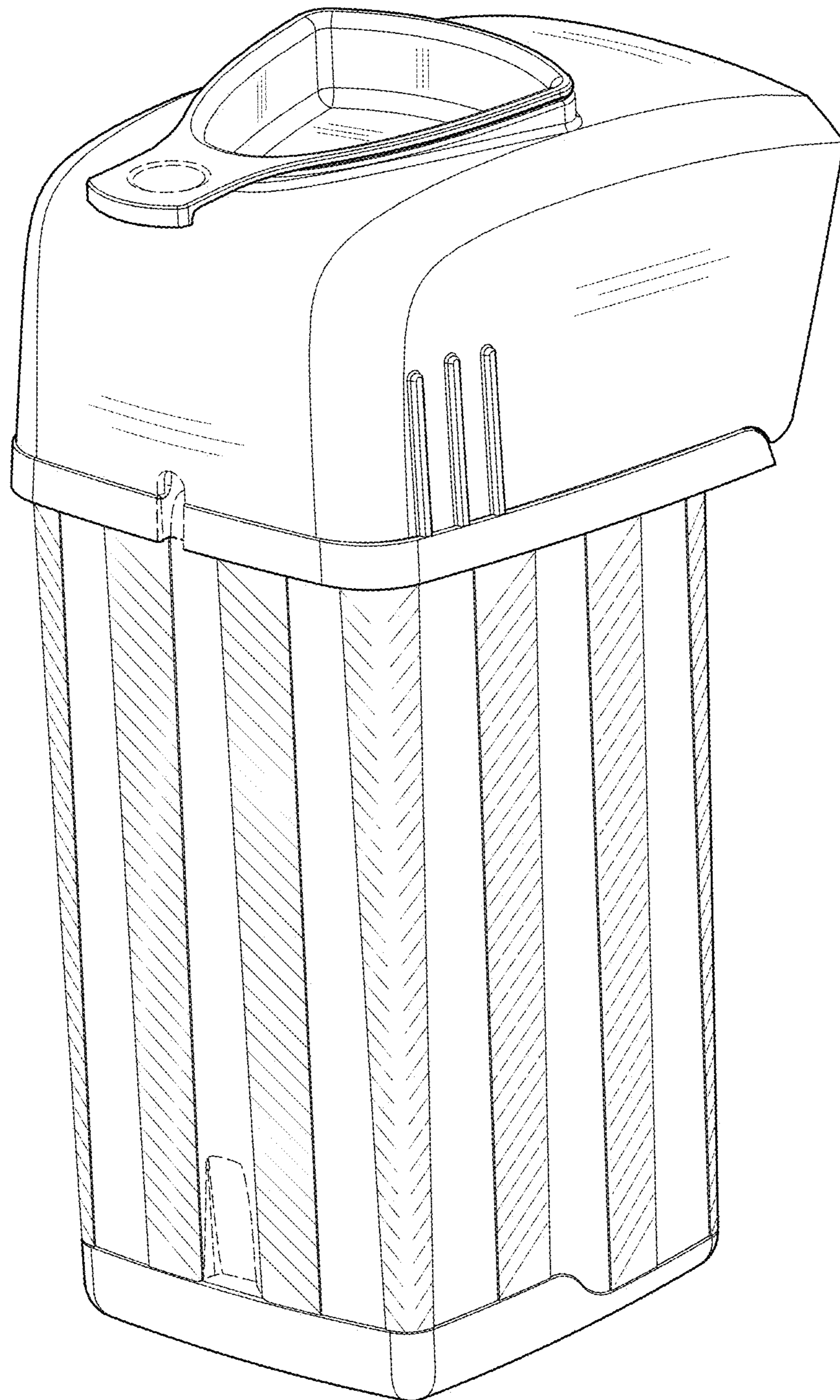


FIG. 8

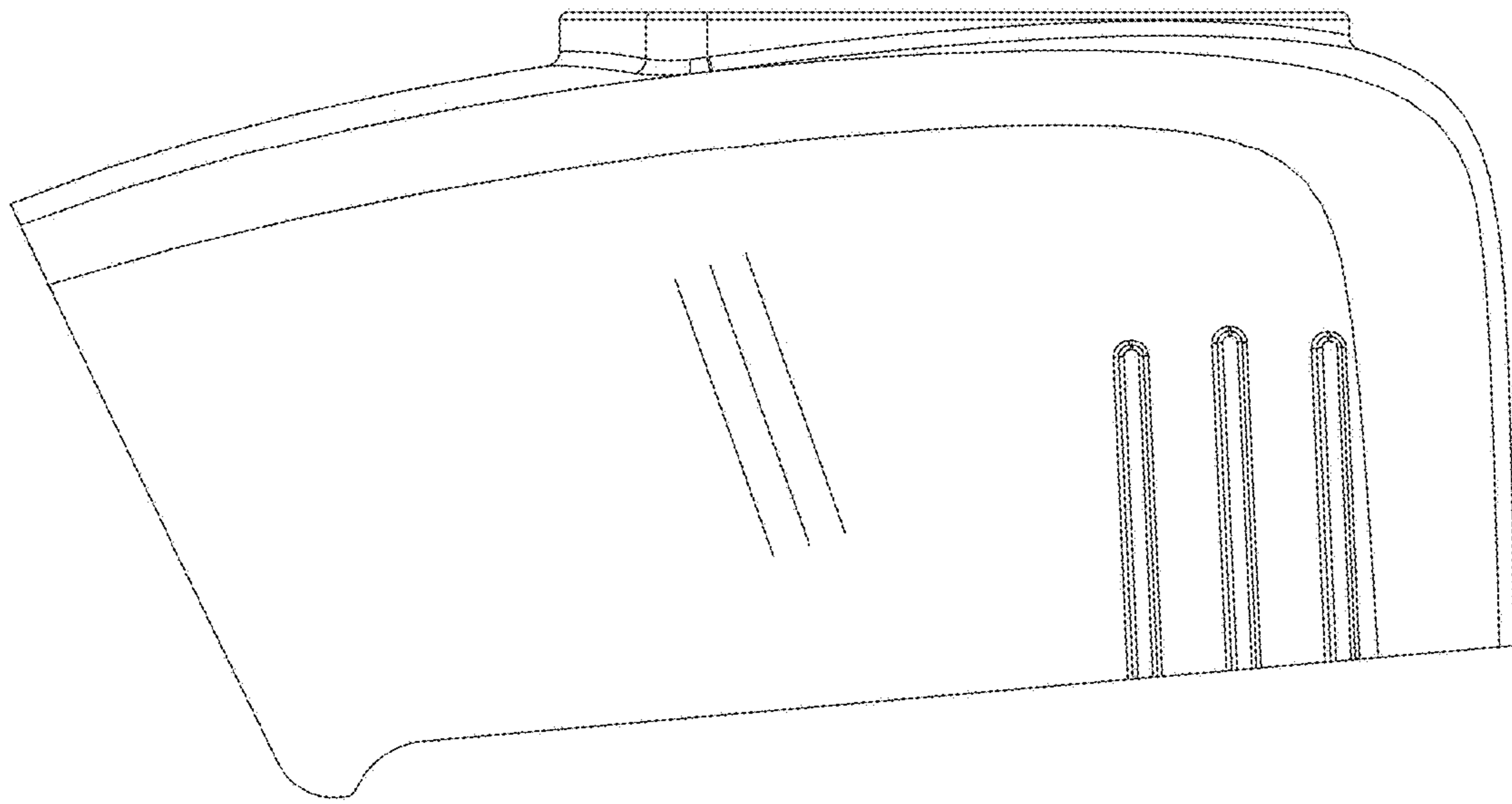


FIG. 9

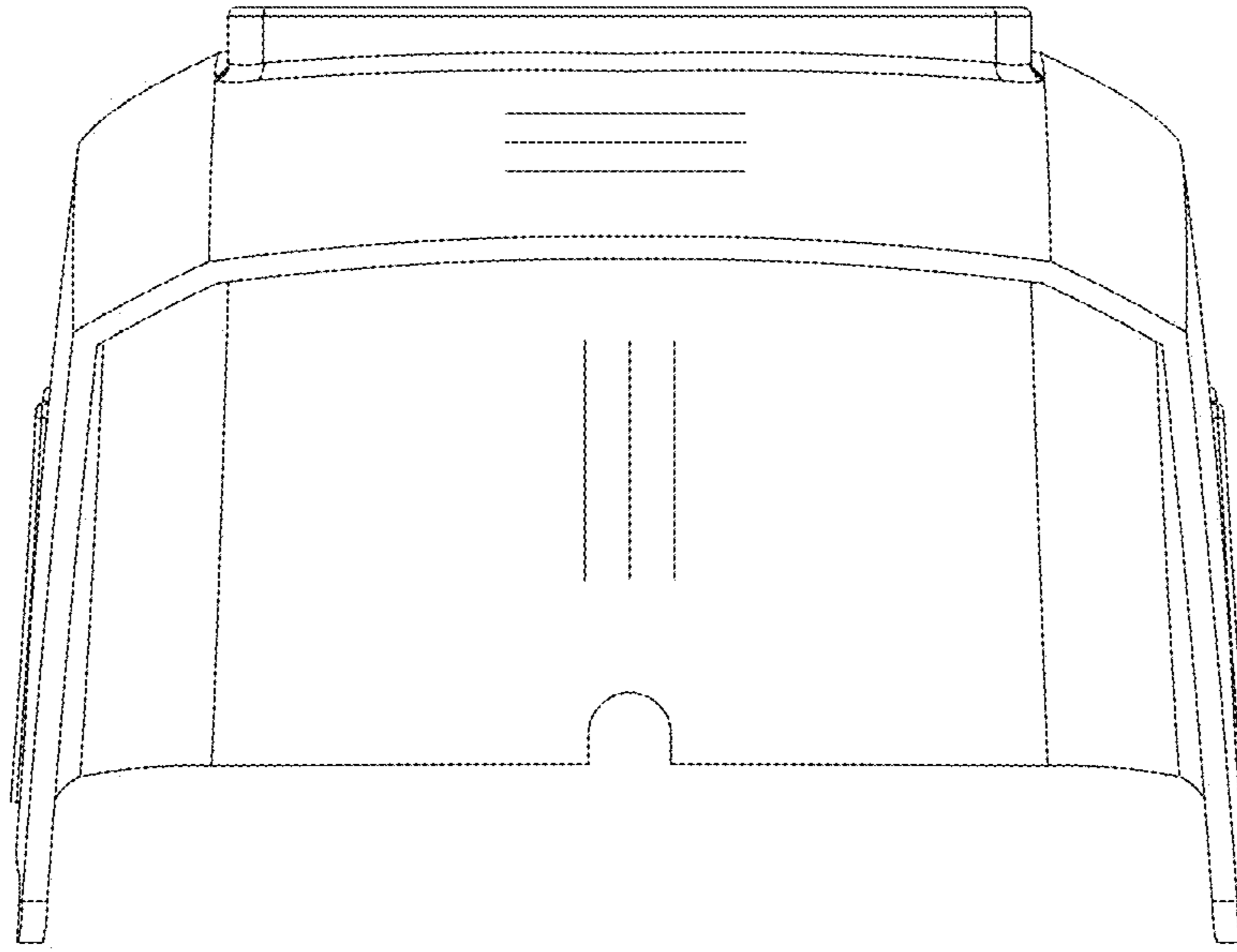


FIG. 10

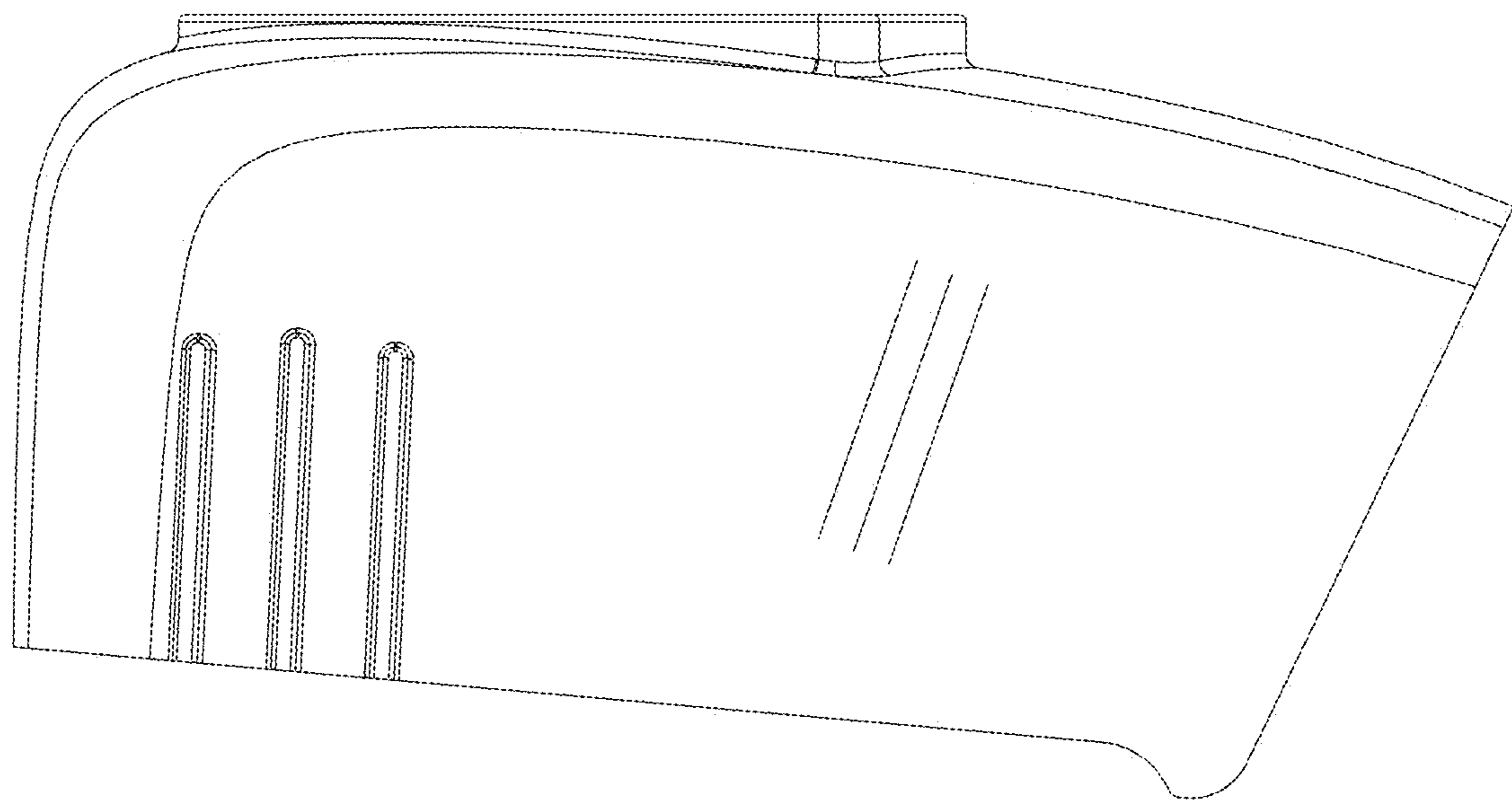


FIG. 11

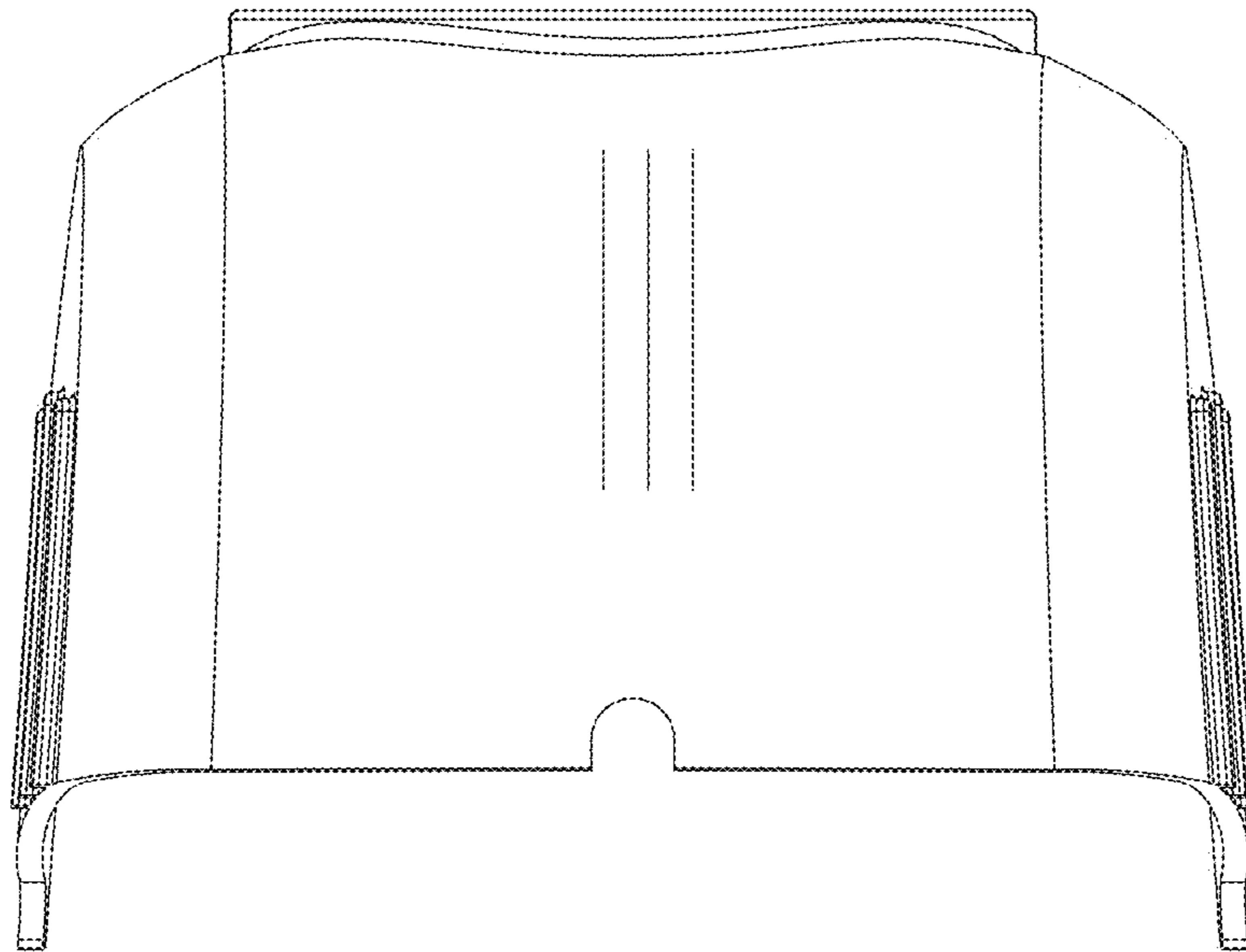


FIG. 12

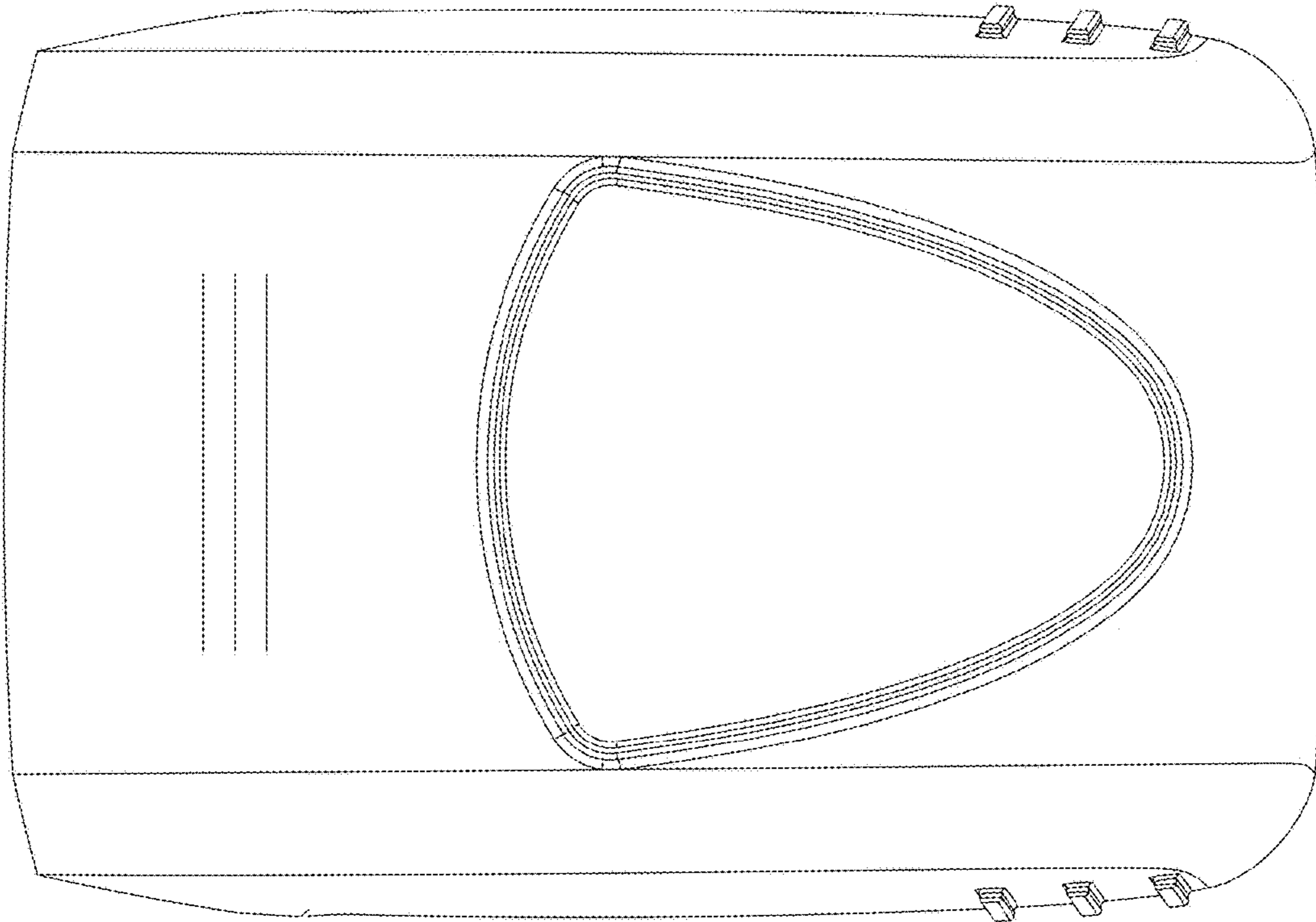


FIG. 13

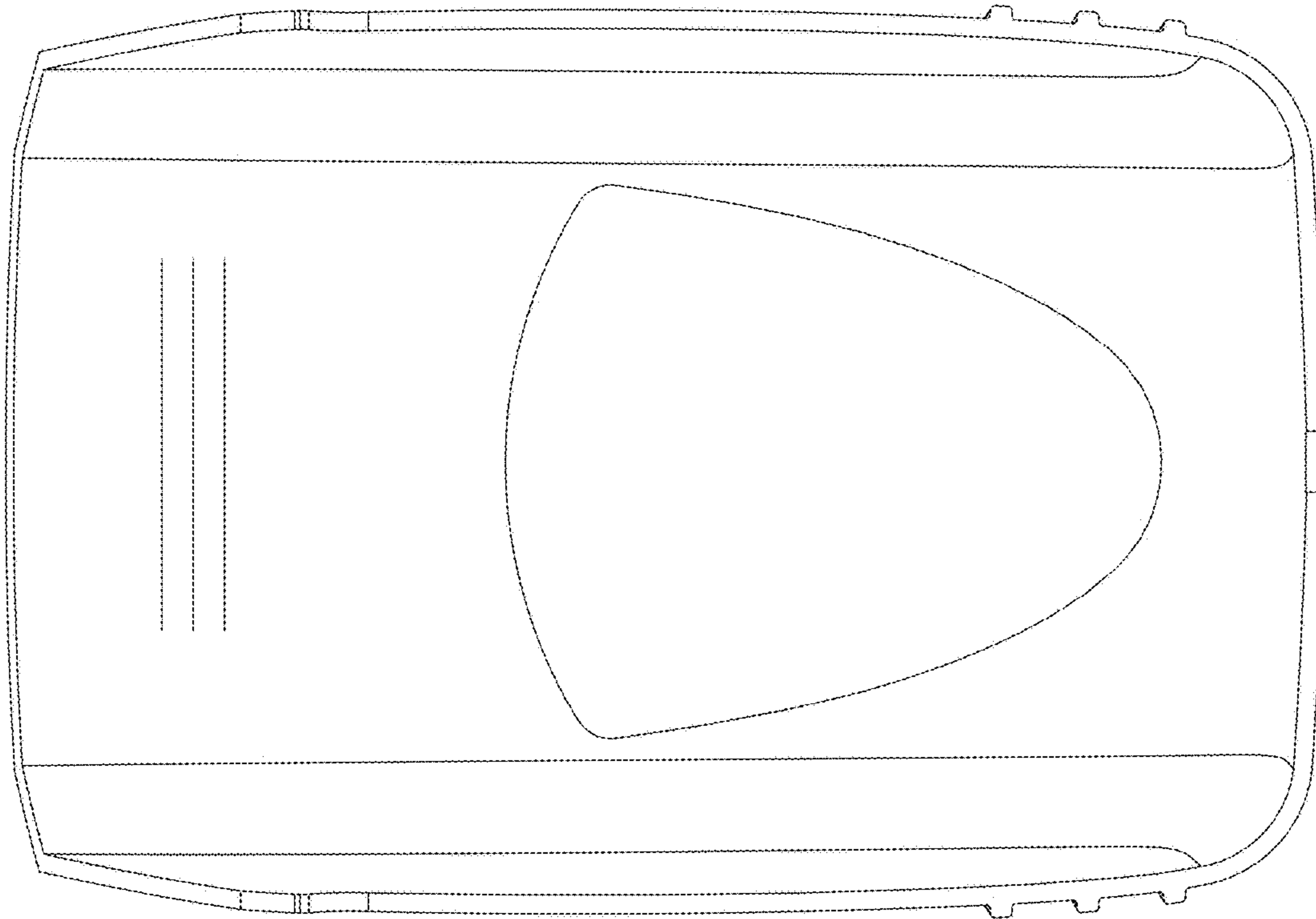


FIG. 14

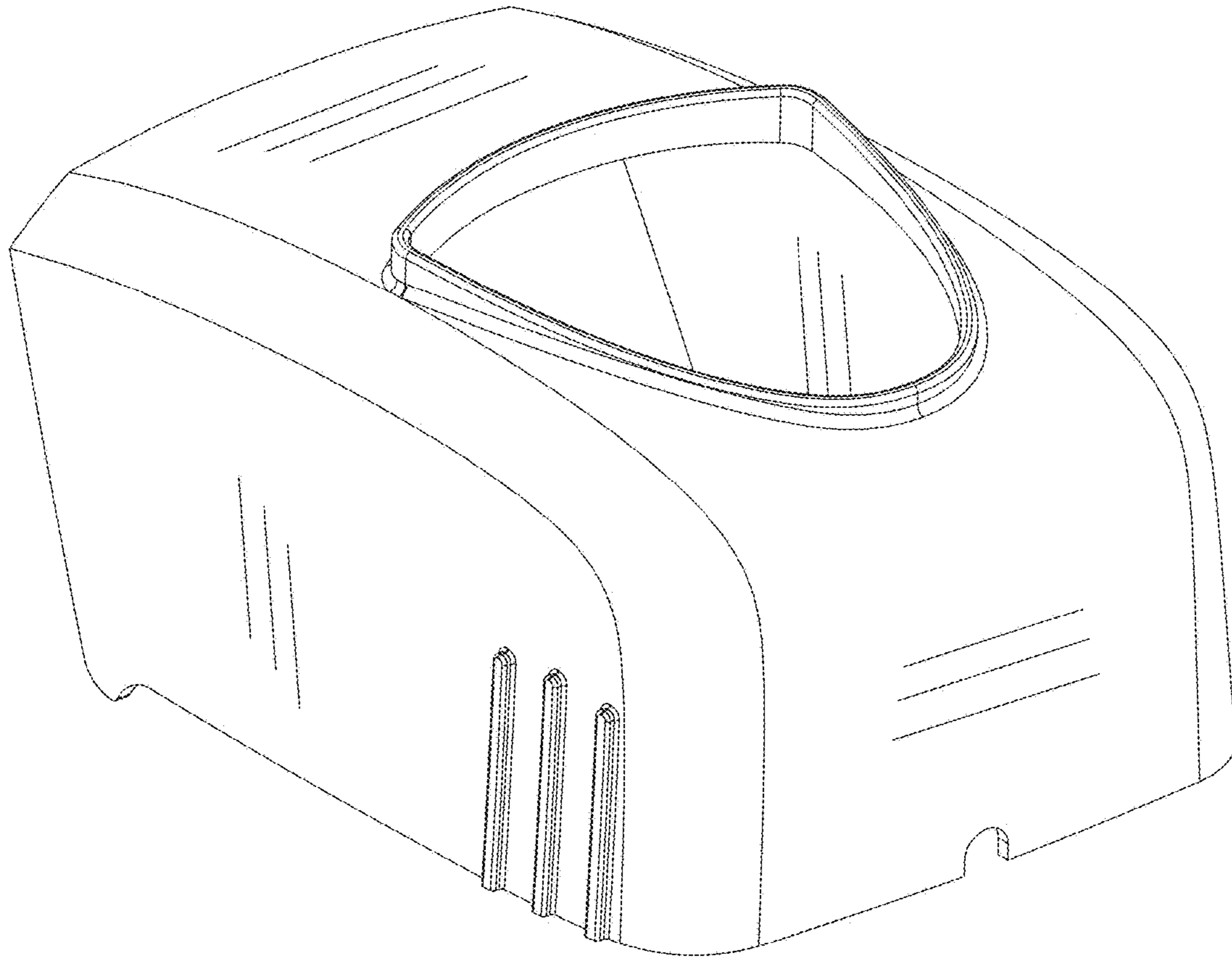


FIG. 15

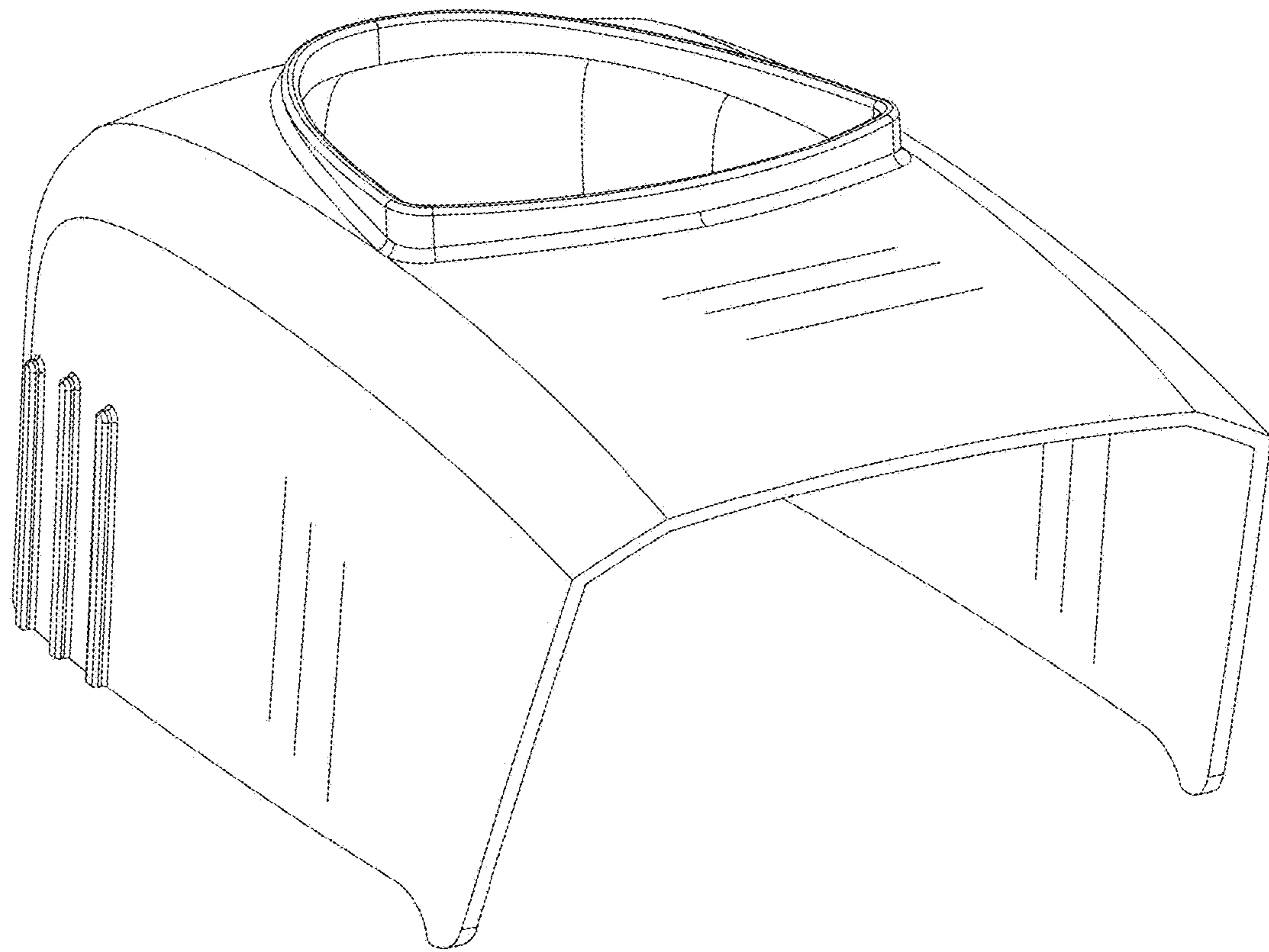


FIG. 16

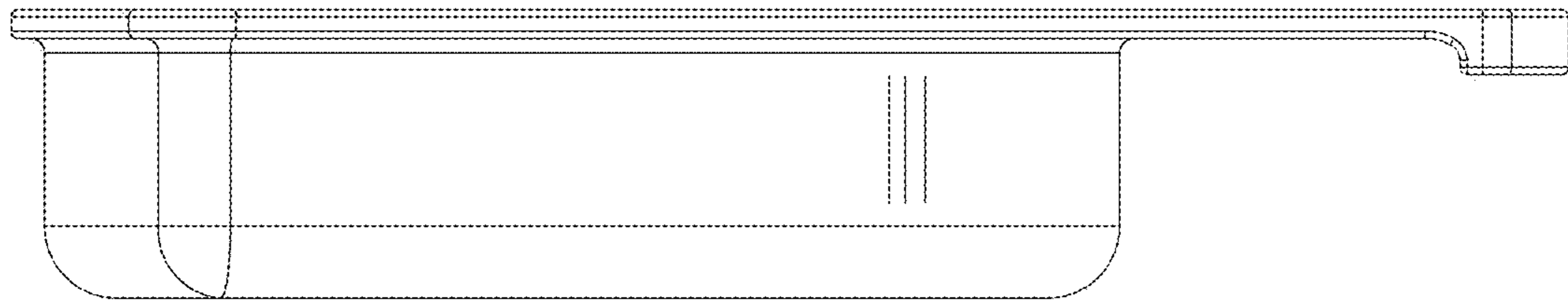


FIG. 17

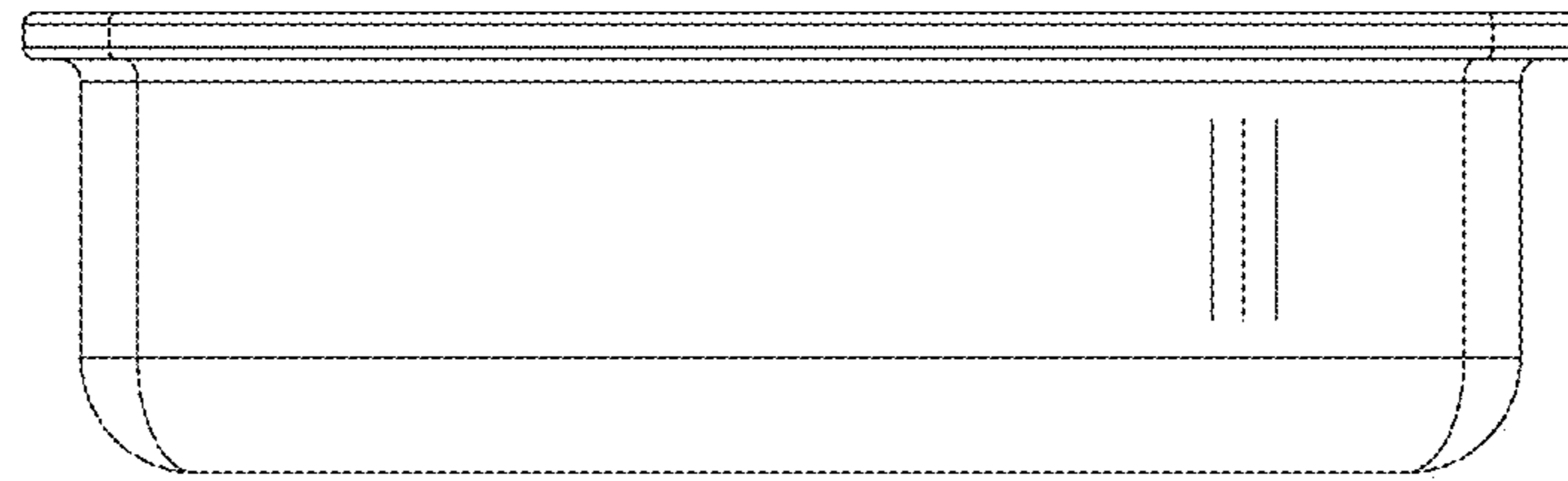


FIG. 18

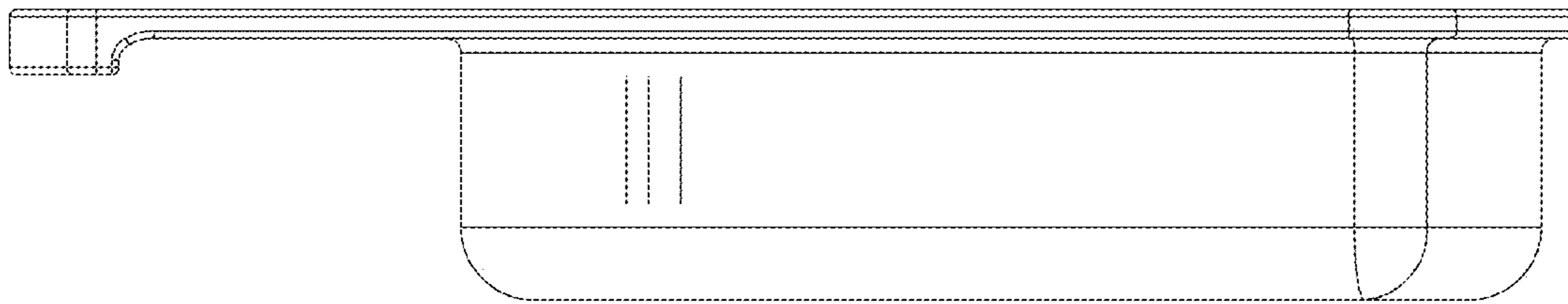


FIG. 19

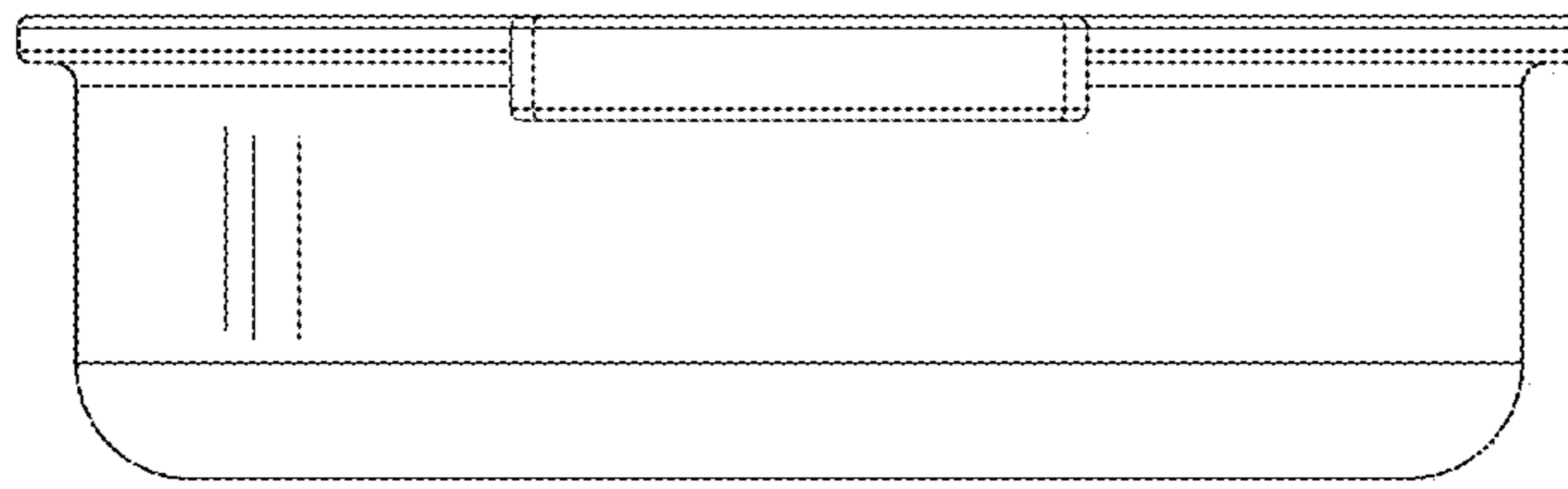


FIG. 20

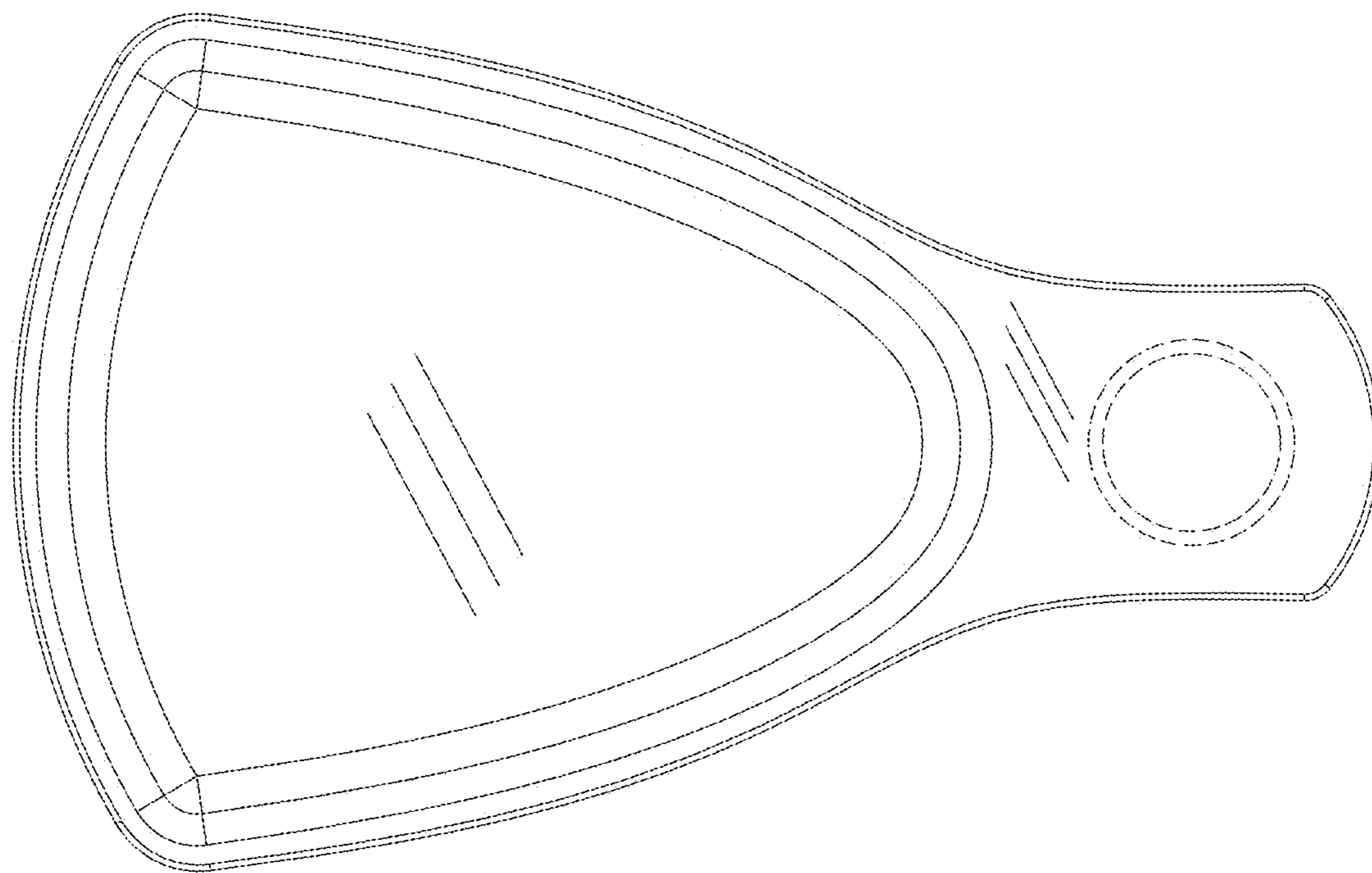


FIG. 21

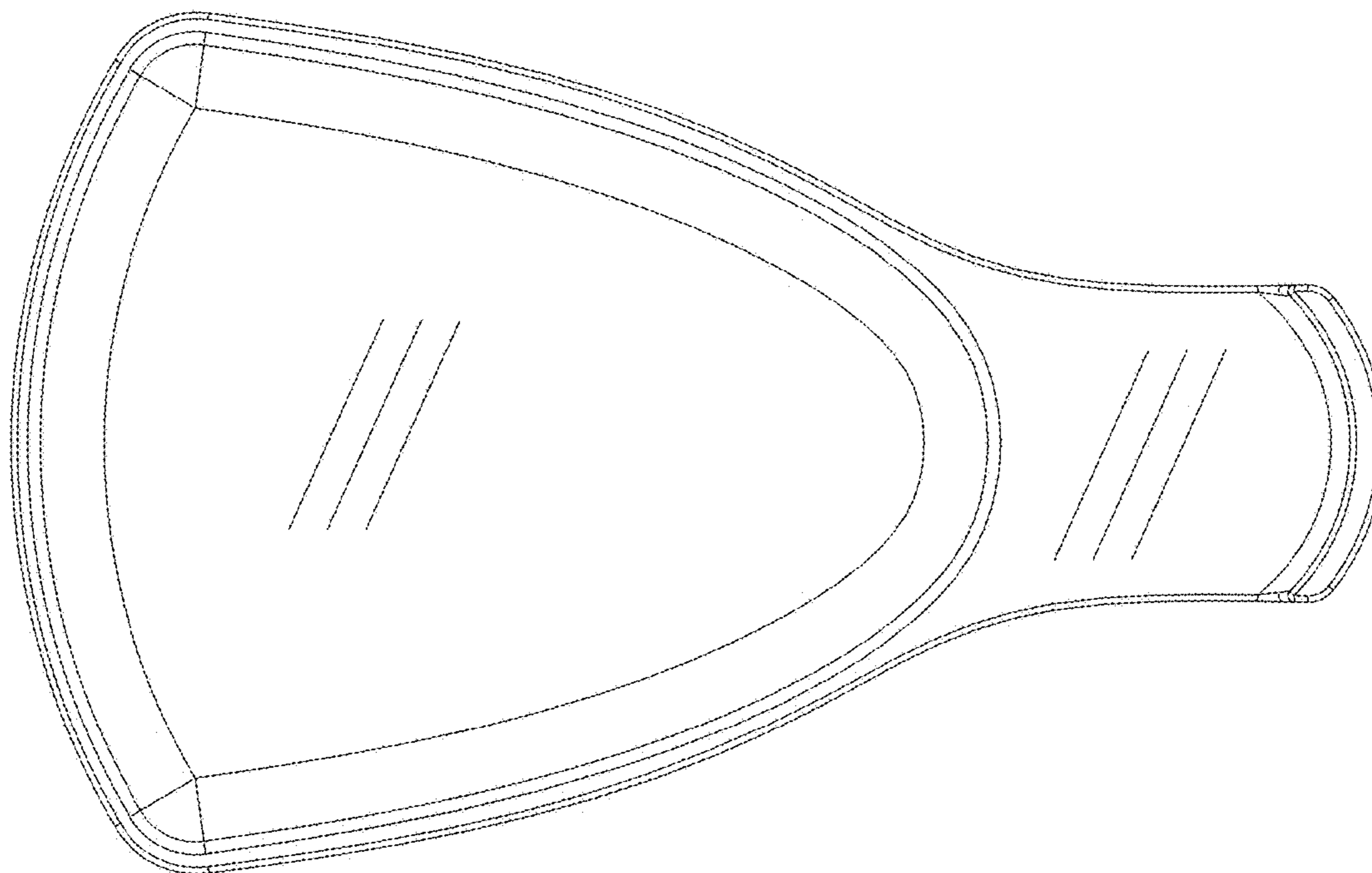


FIG. 22

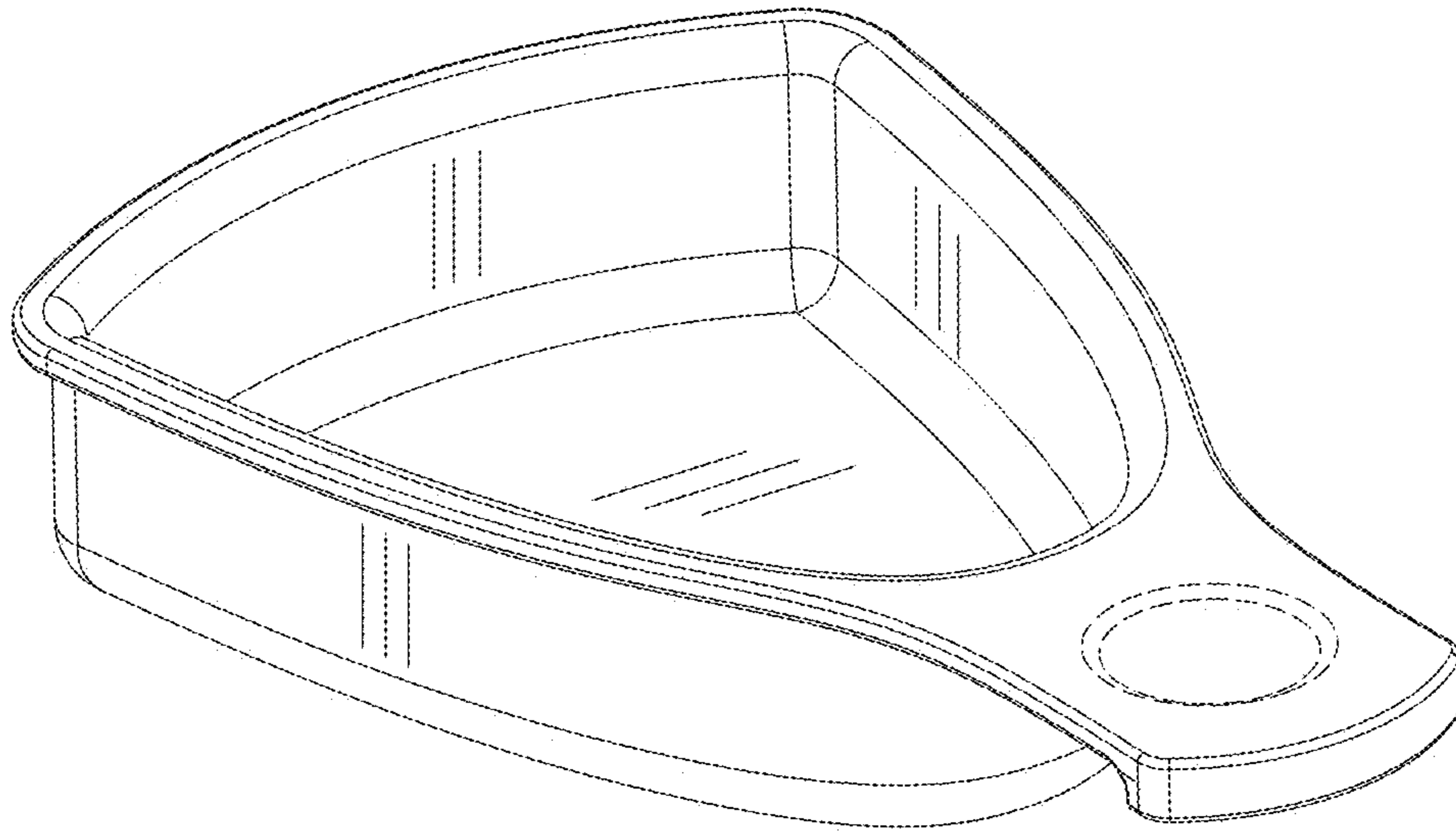


FIG. 23

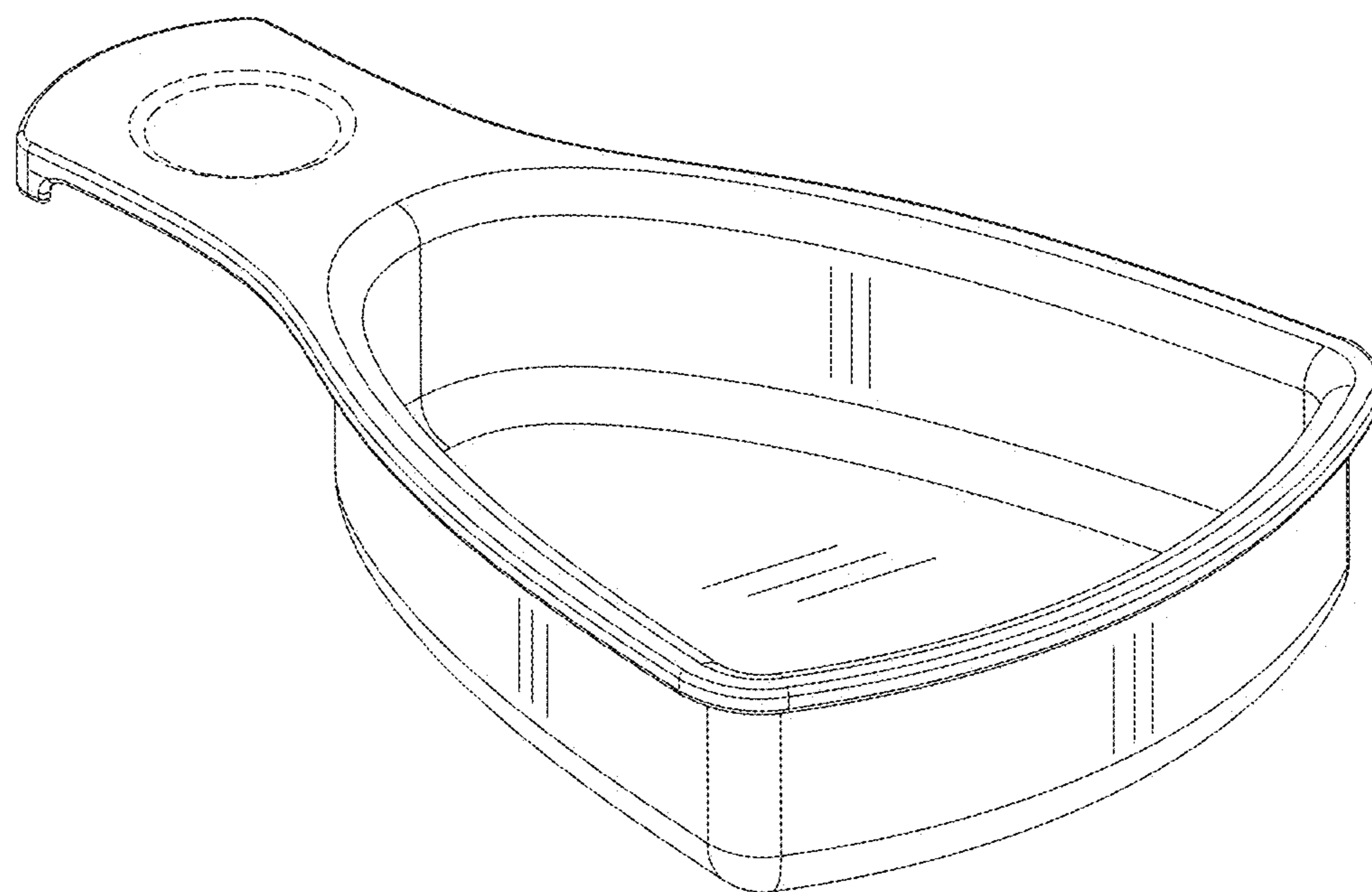


FIG. 24

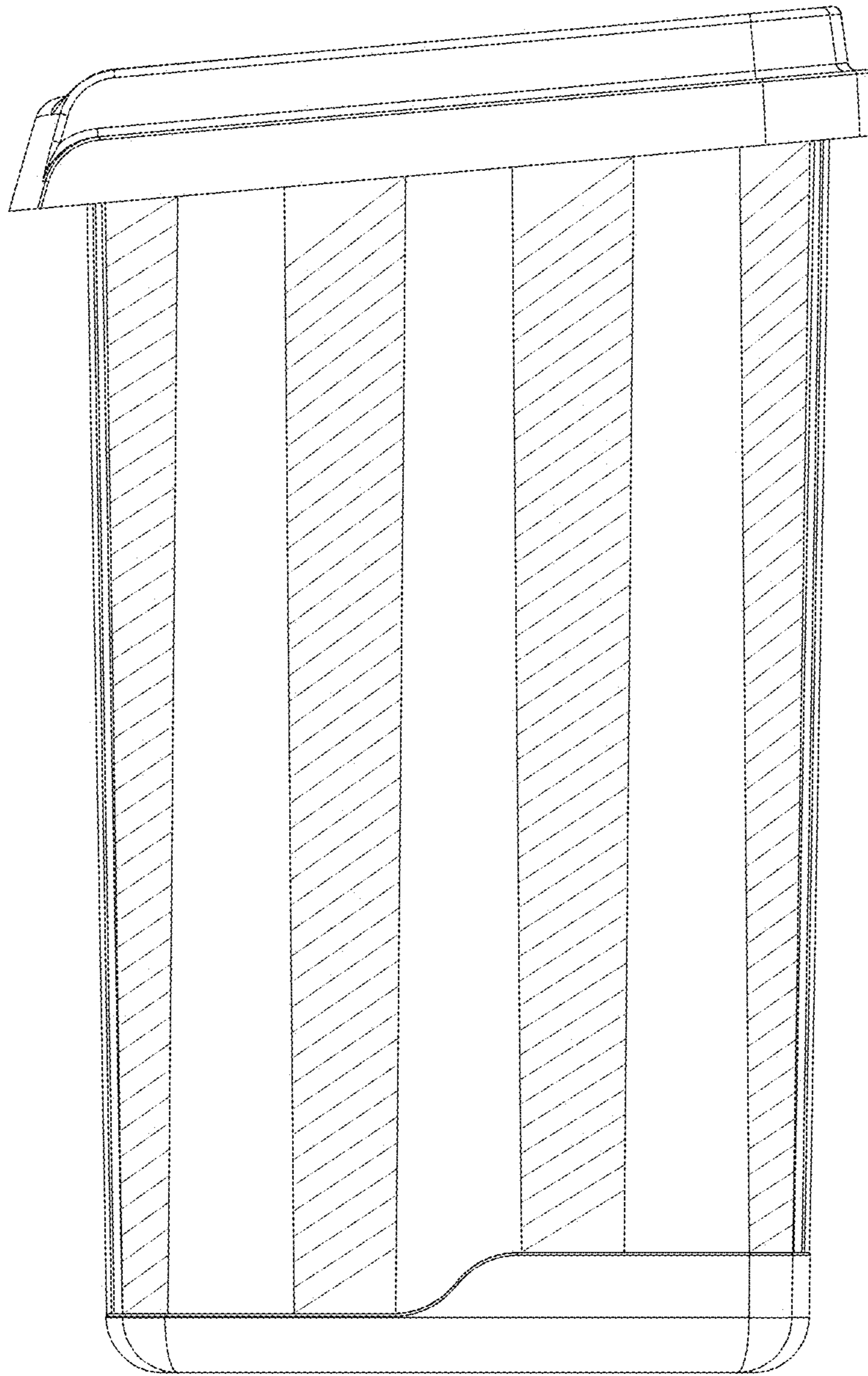


FIG. 25

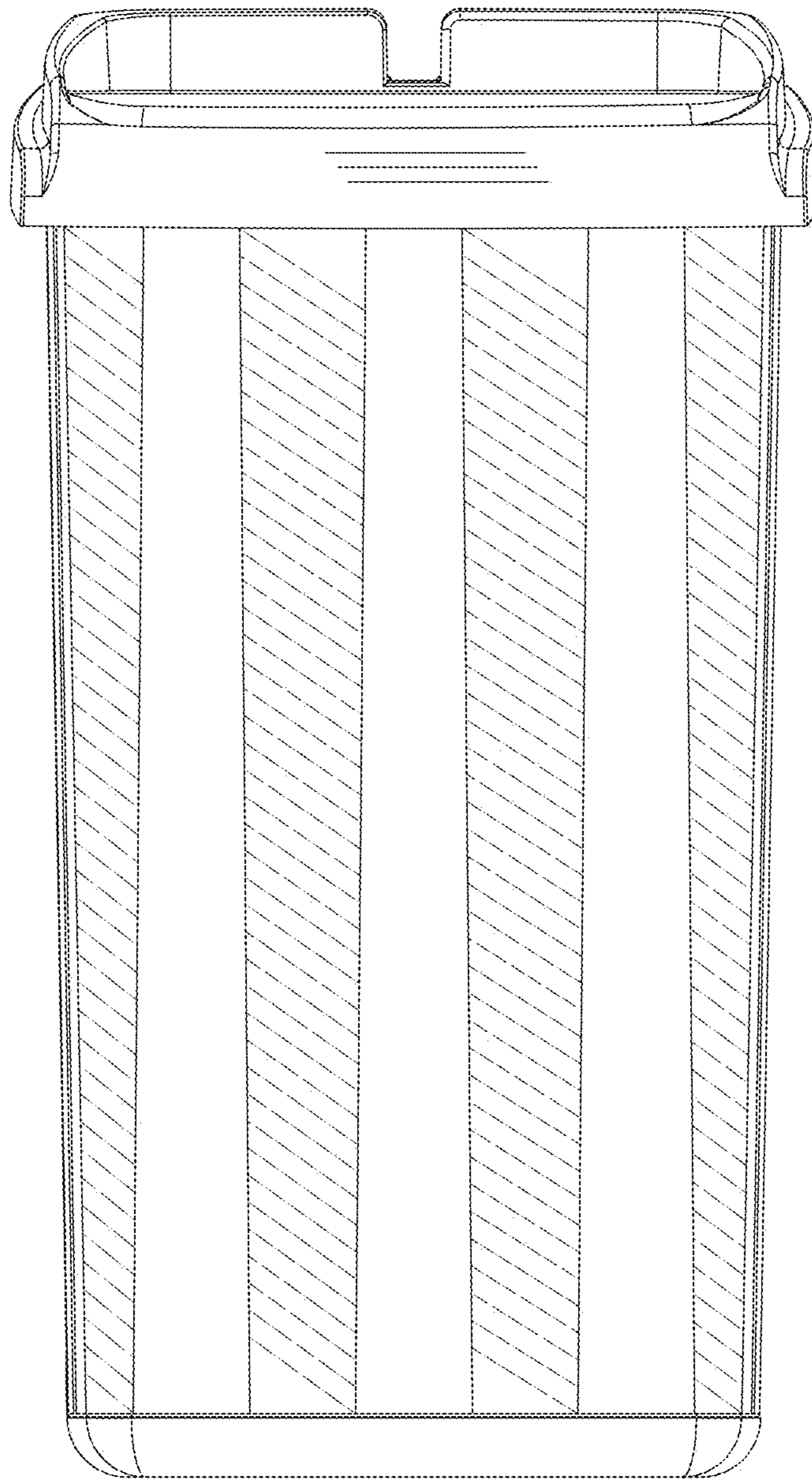


FIG. 26

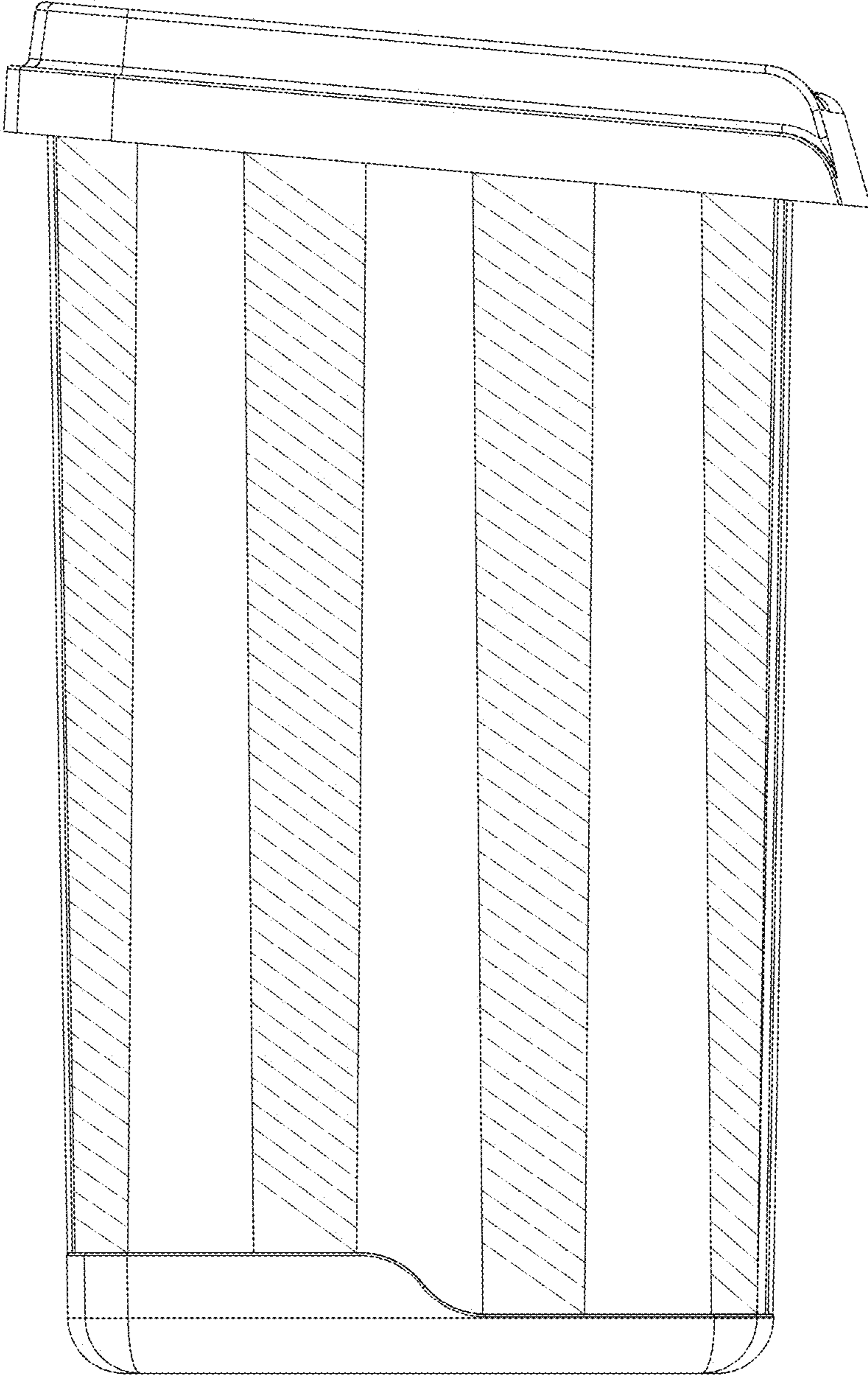


FIG. 27

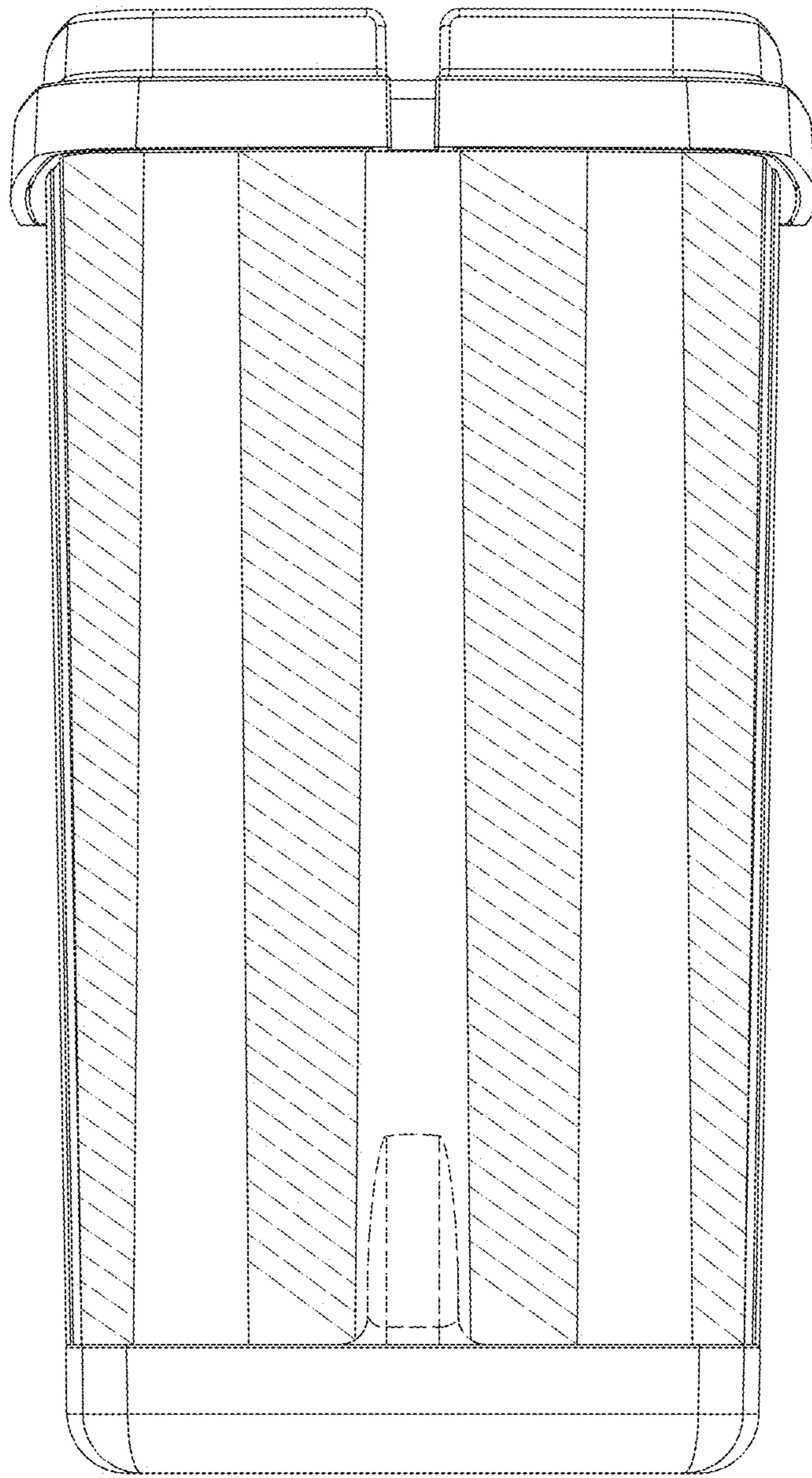


FIG. 28

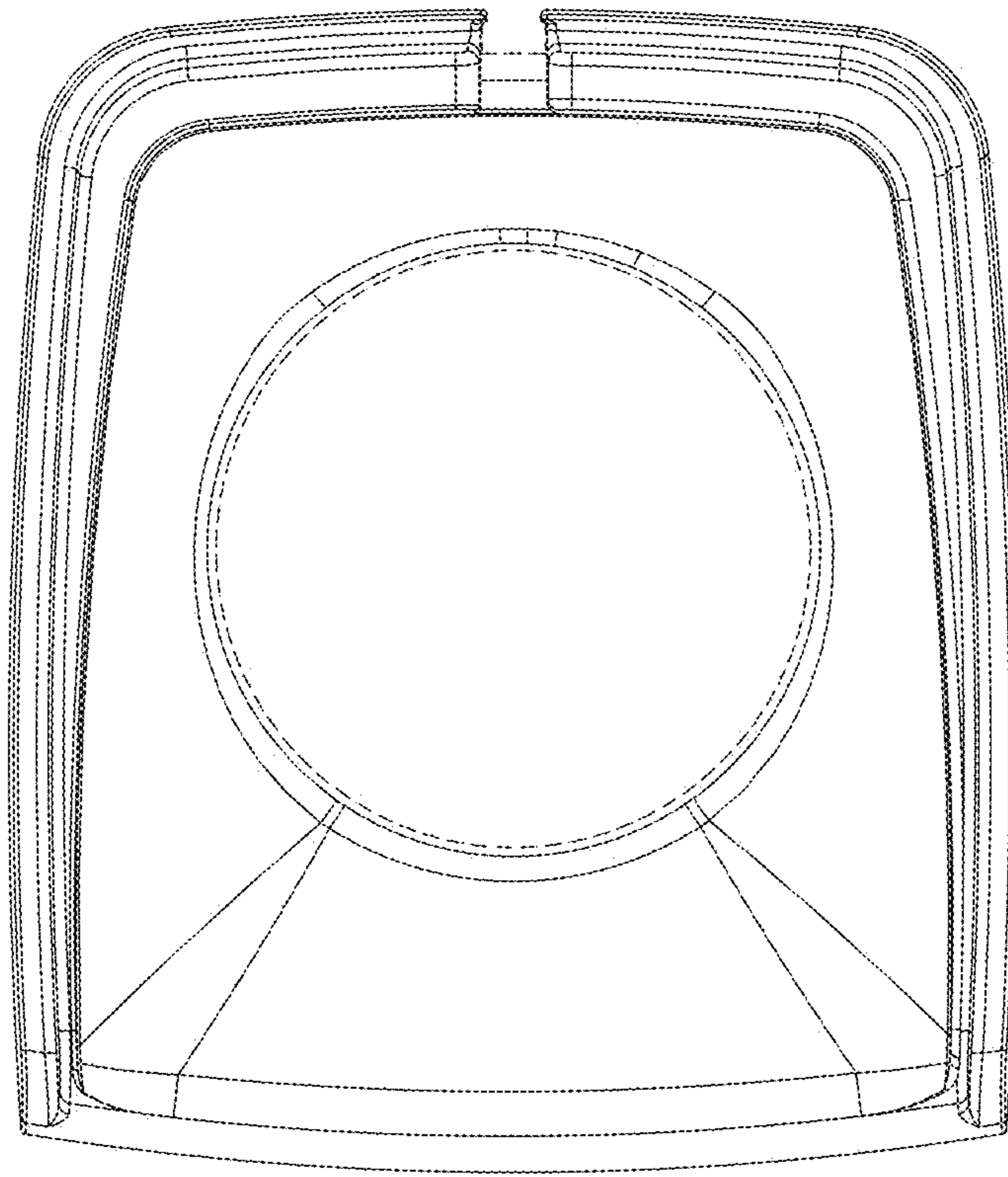


FIG. 29

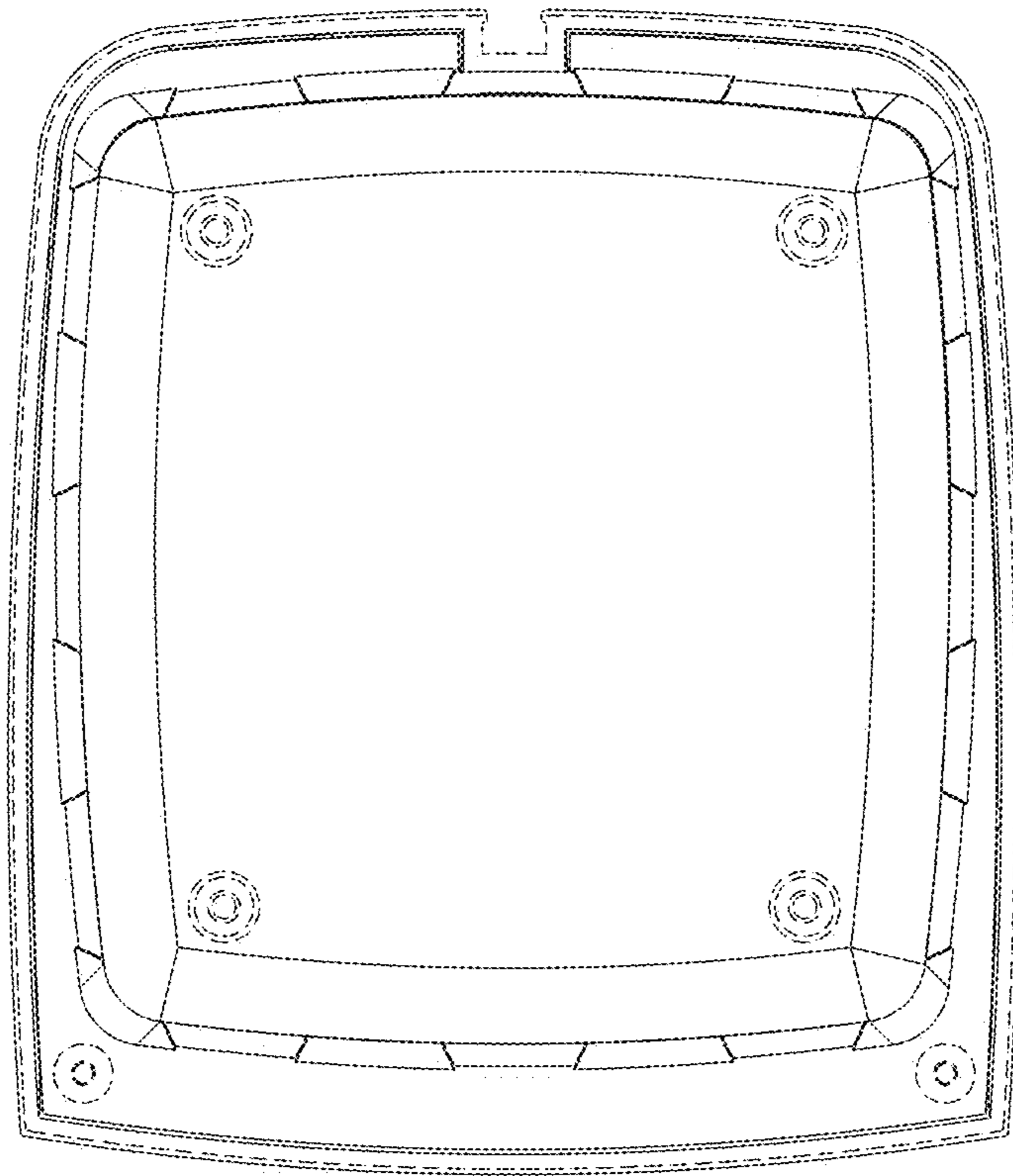


FIG. 30

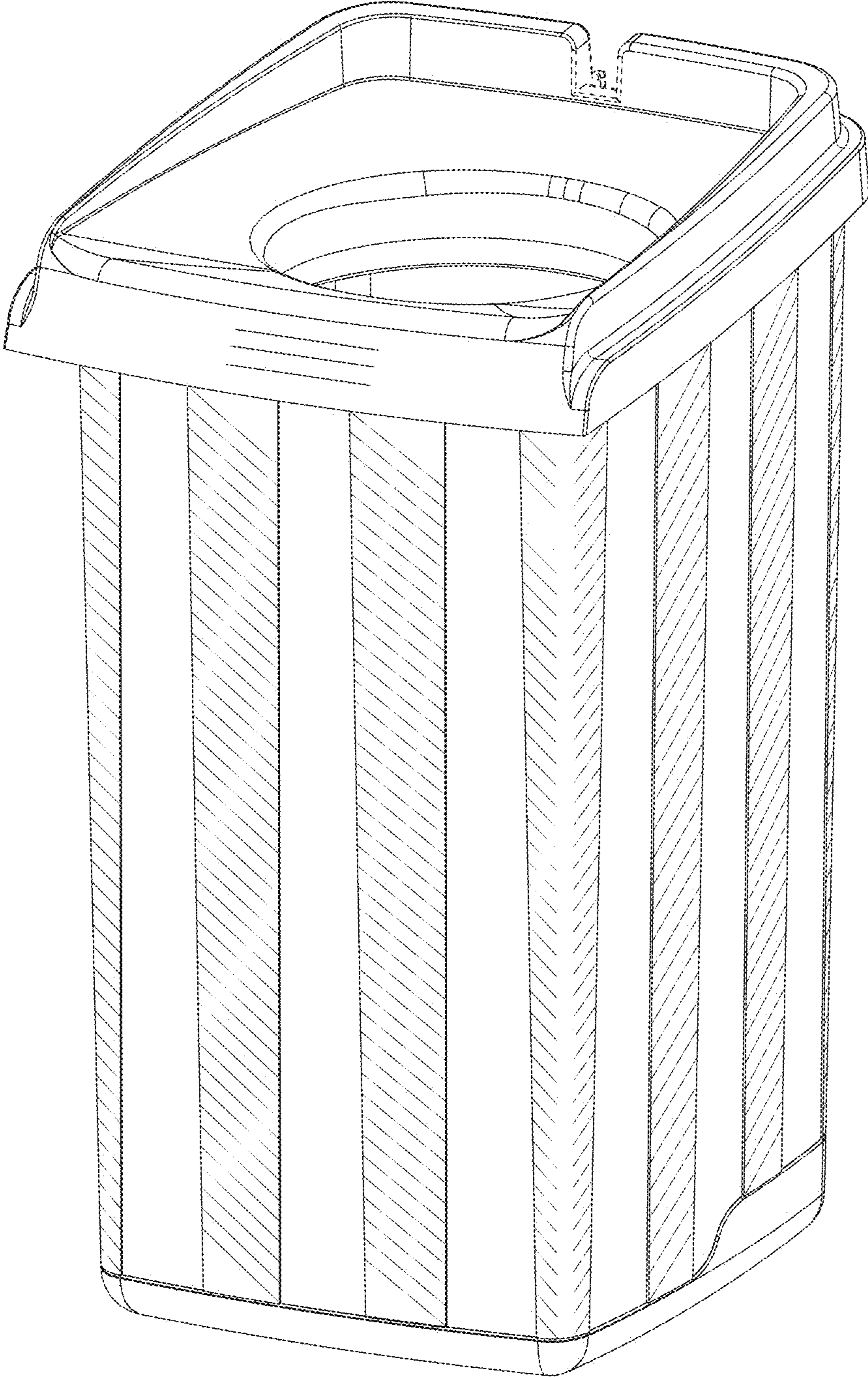


FIG. 31

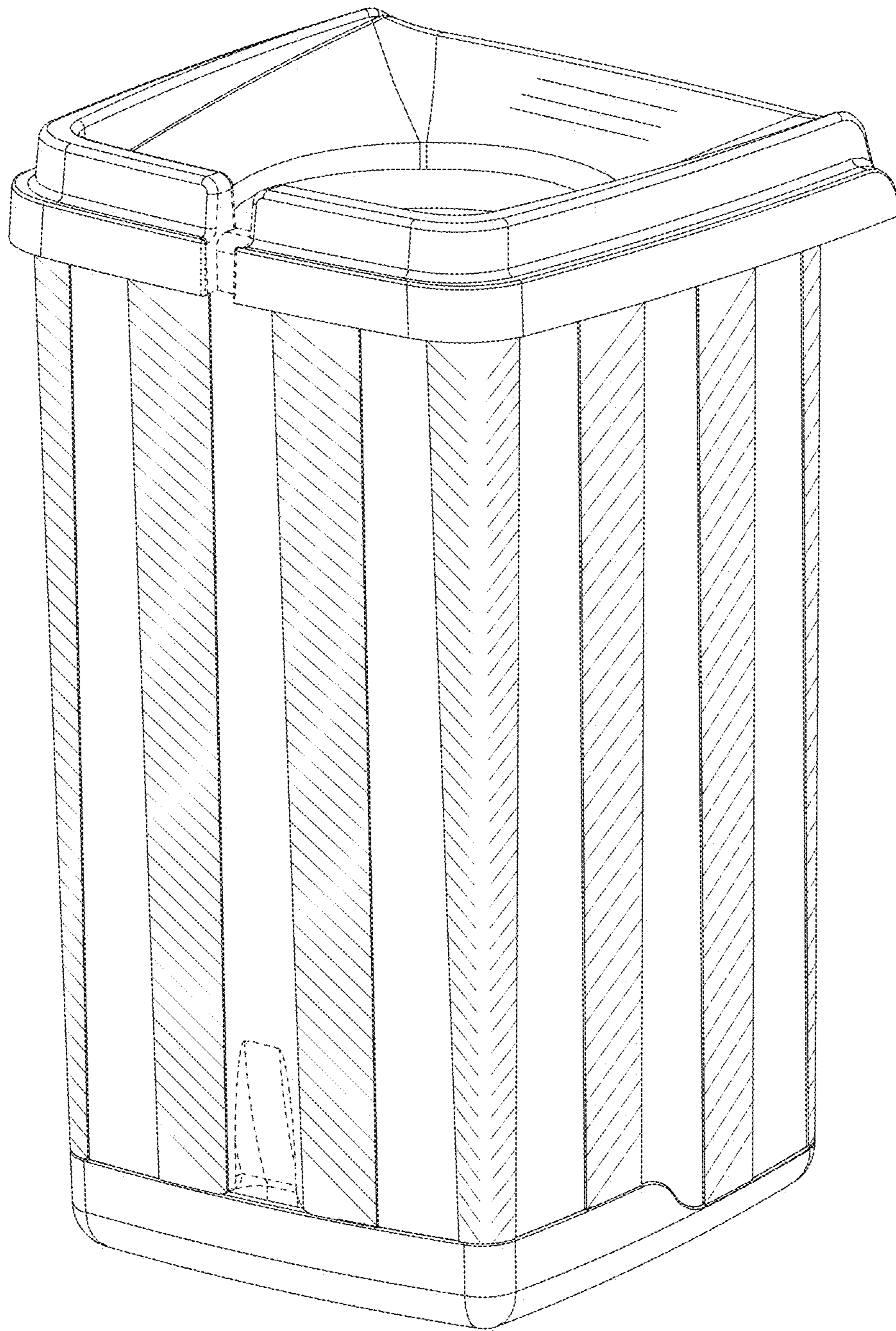


FIG. 32

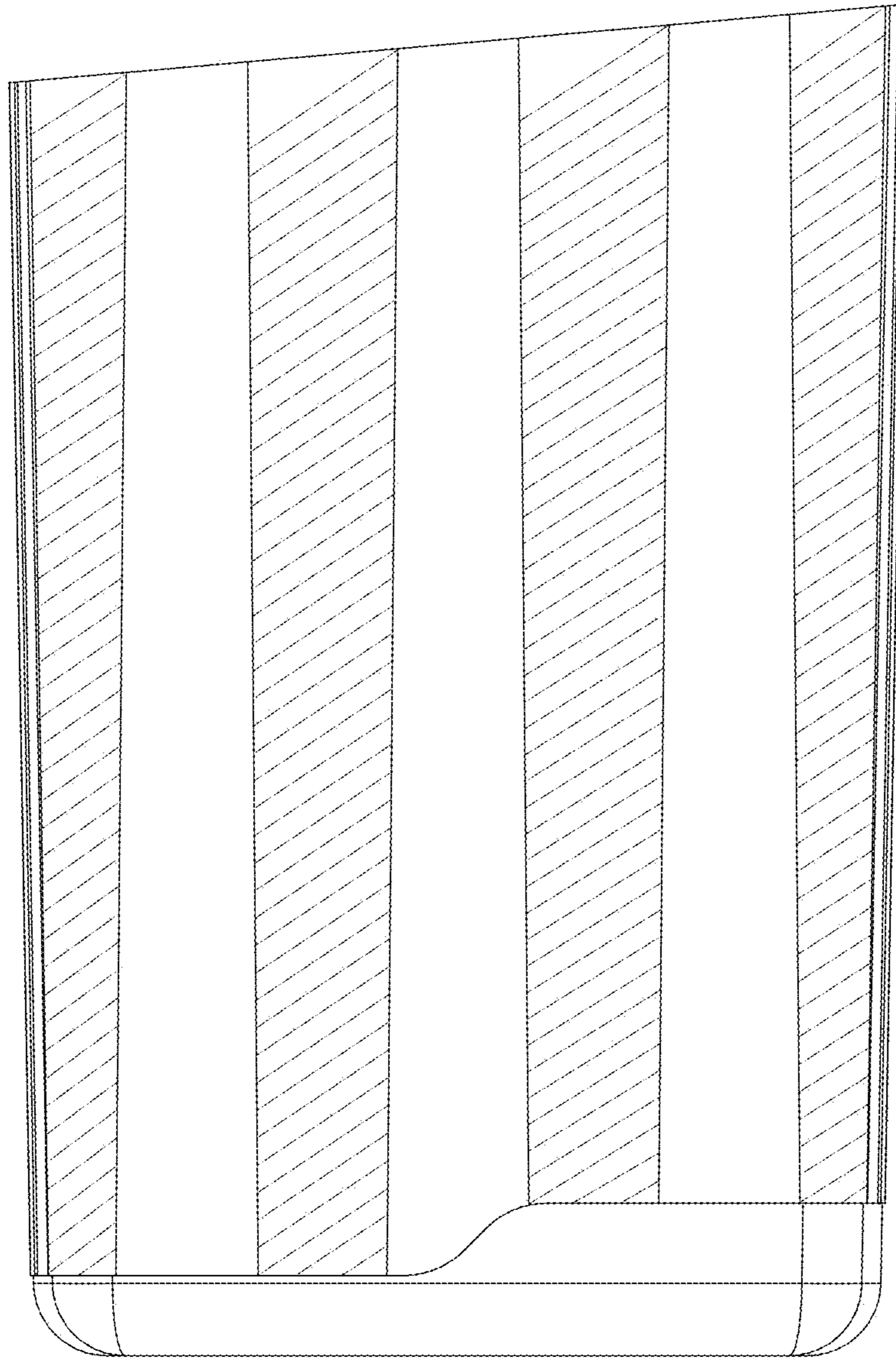


FIG. 33

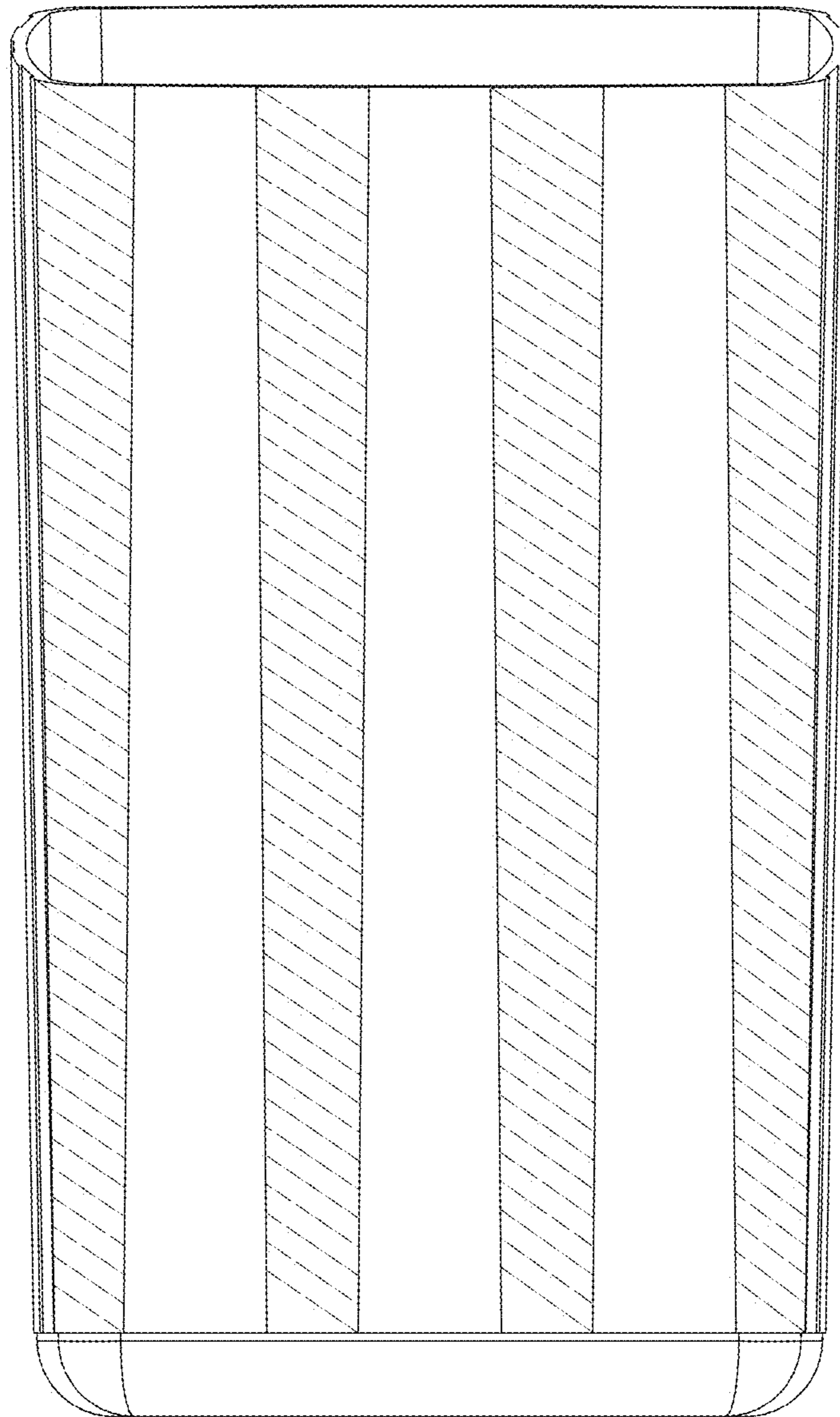


FIG. 34

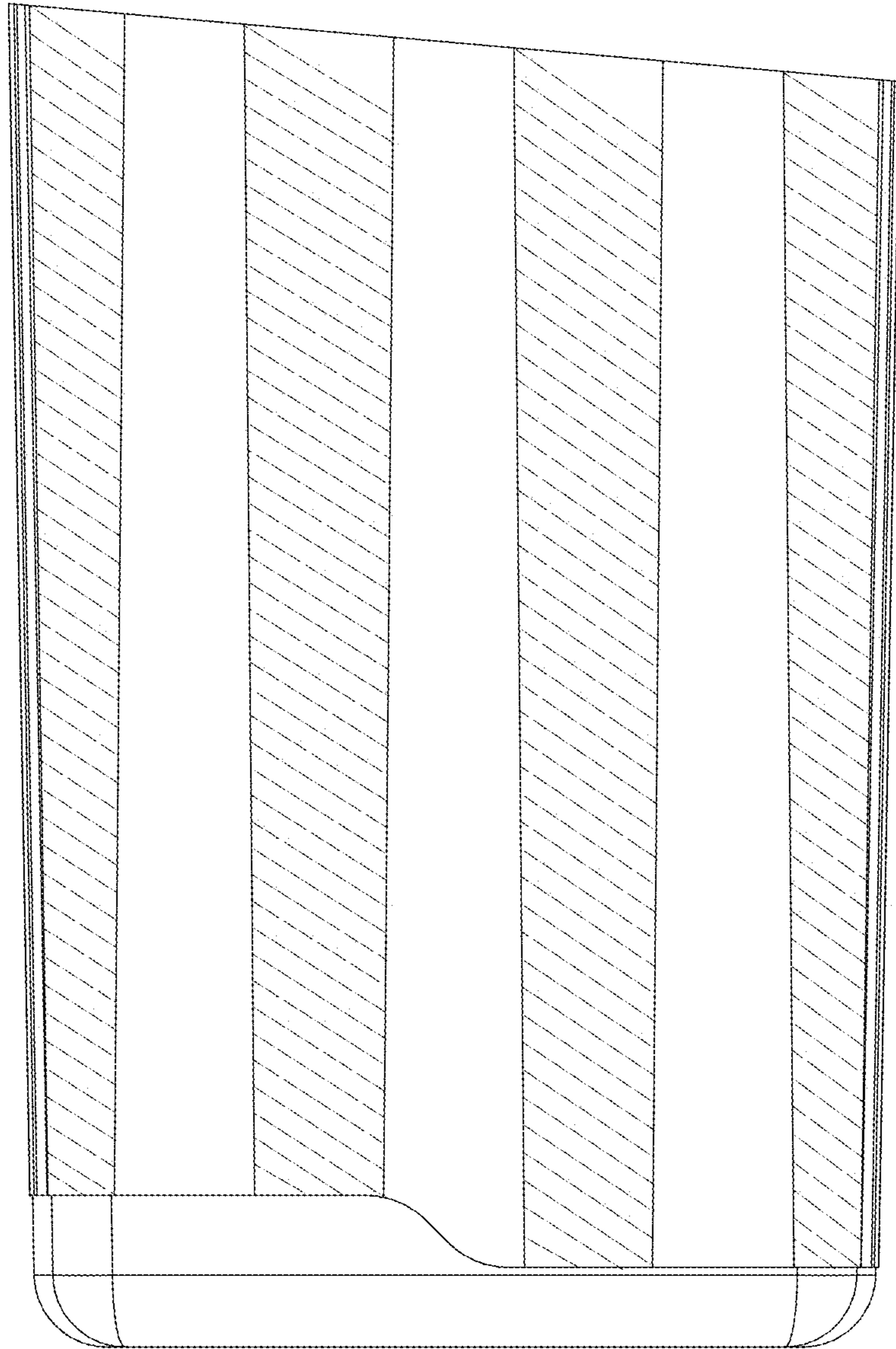


FIG. 35

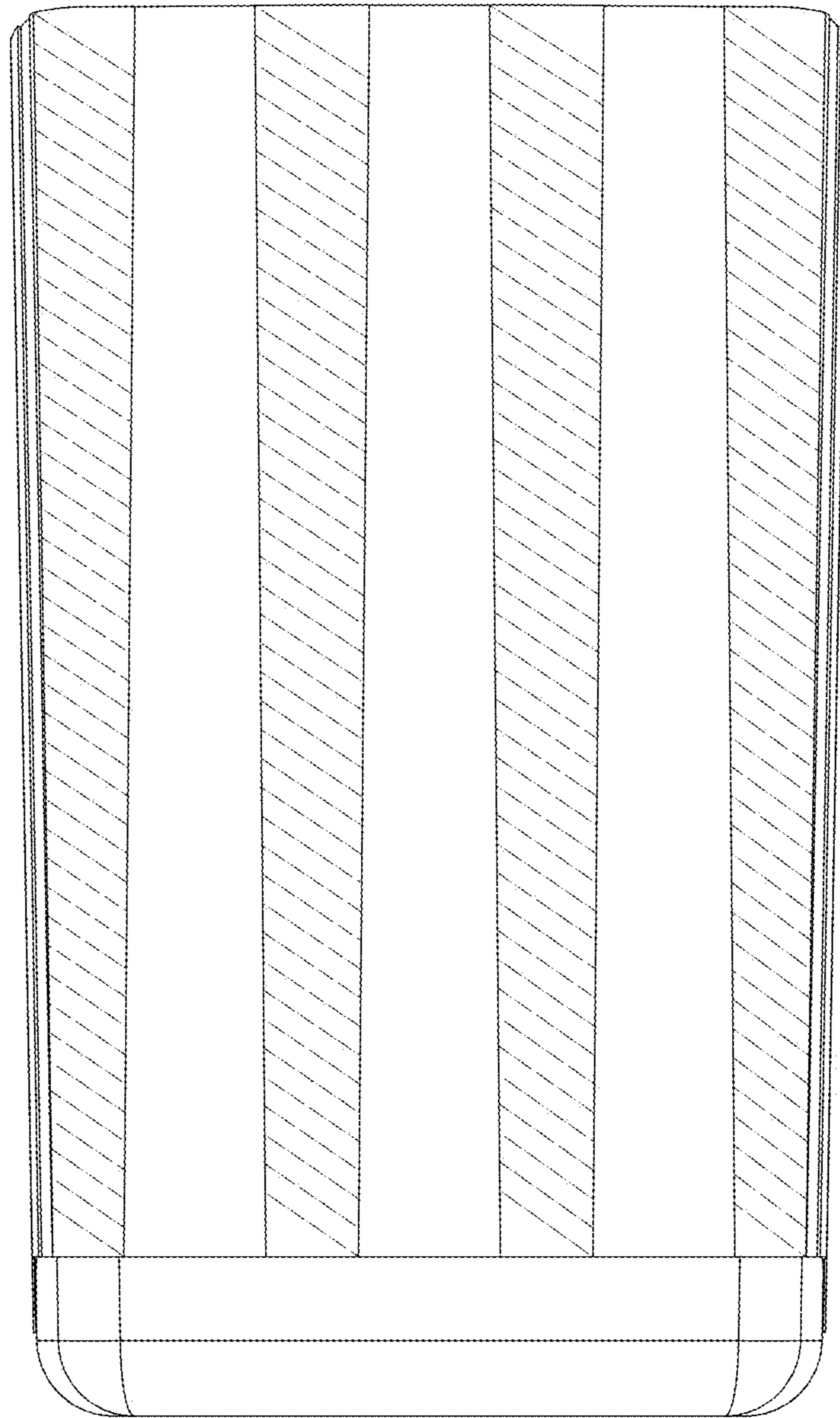


FIG. 36

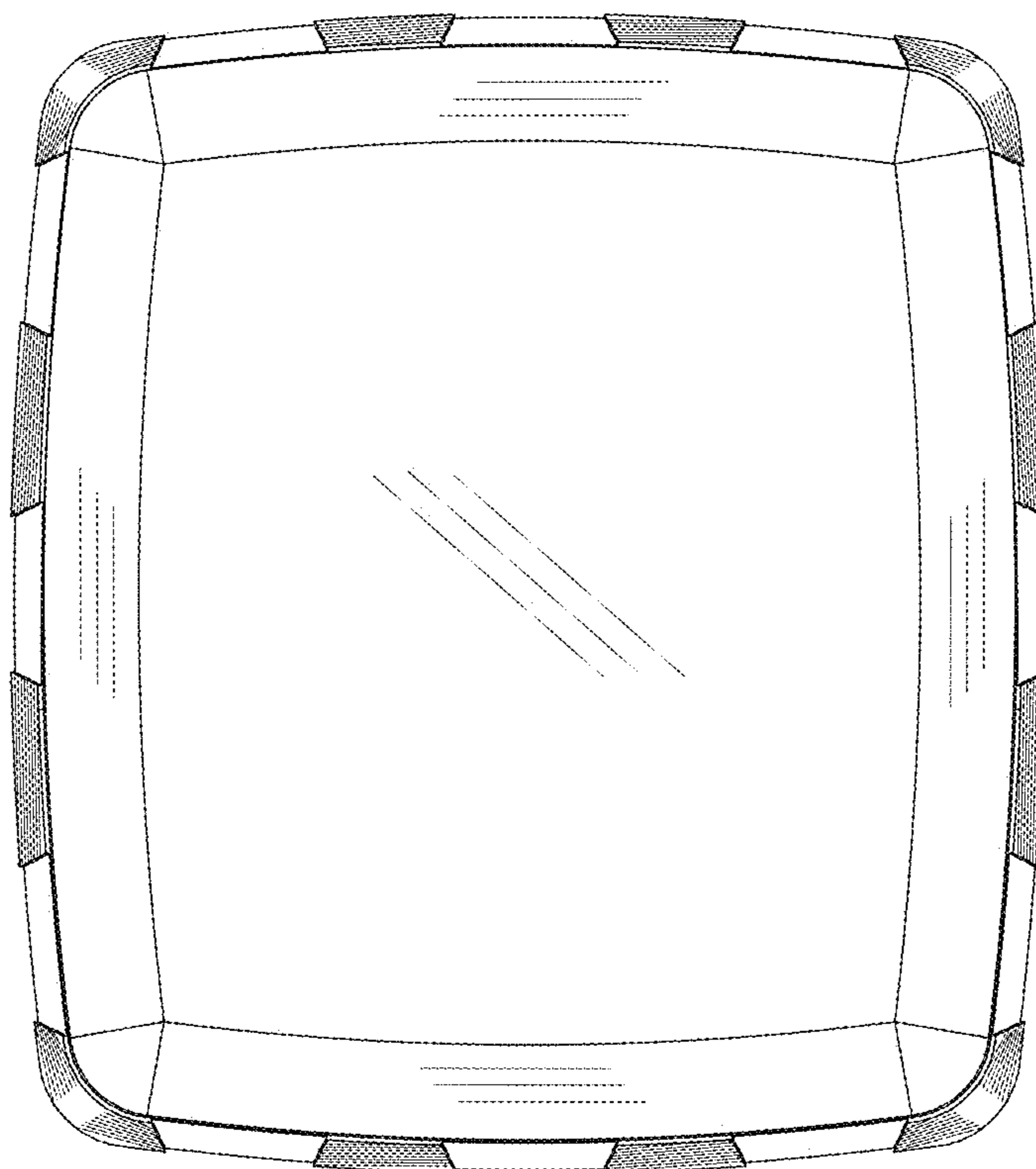


FIG. 37

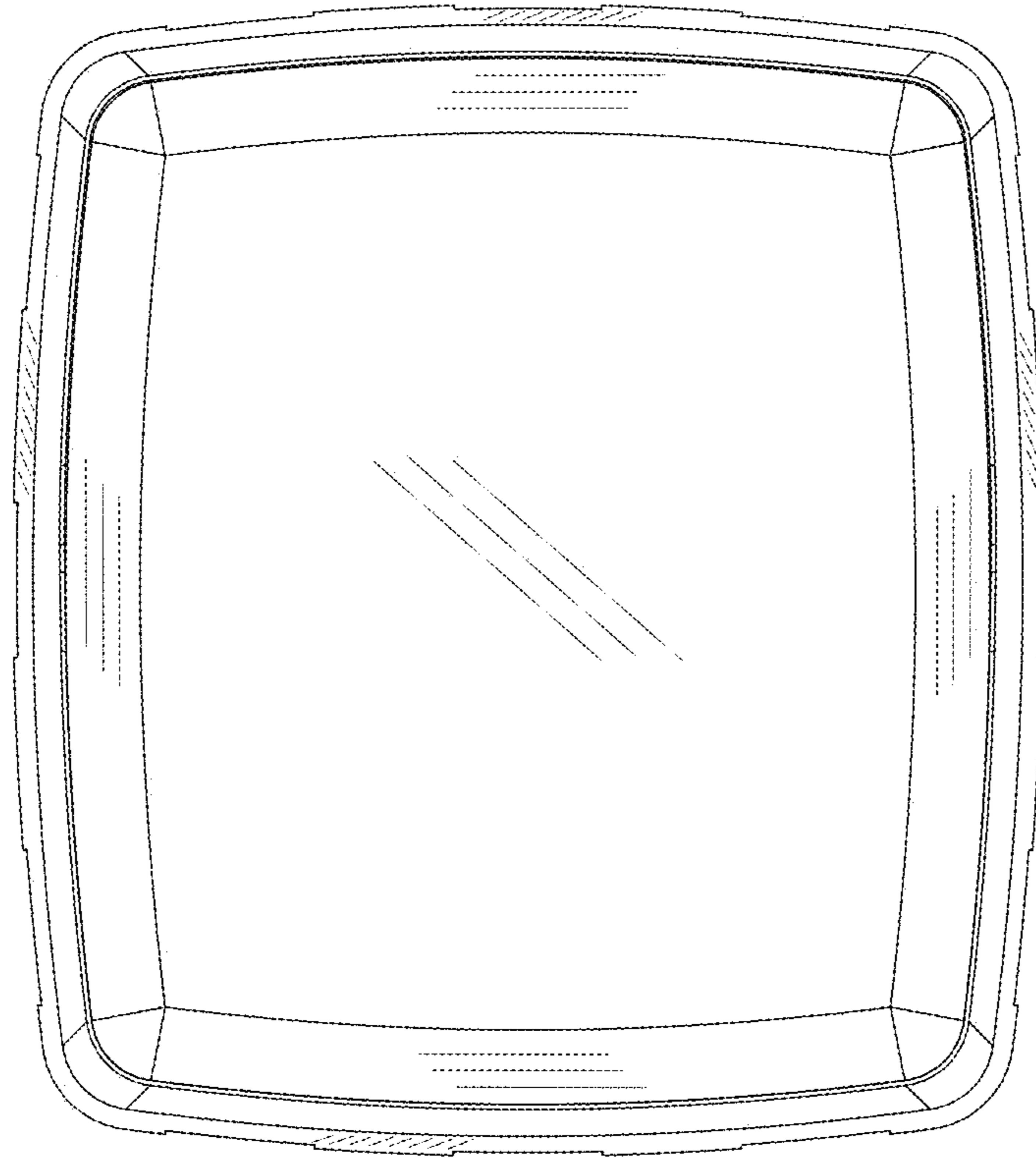


FIG. 38

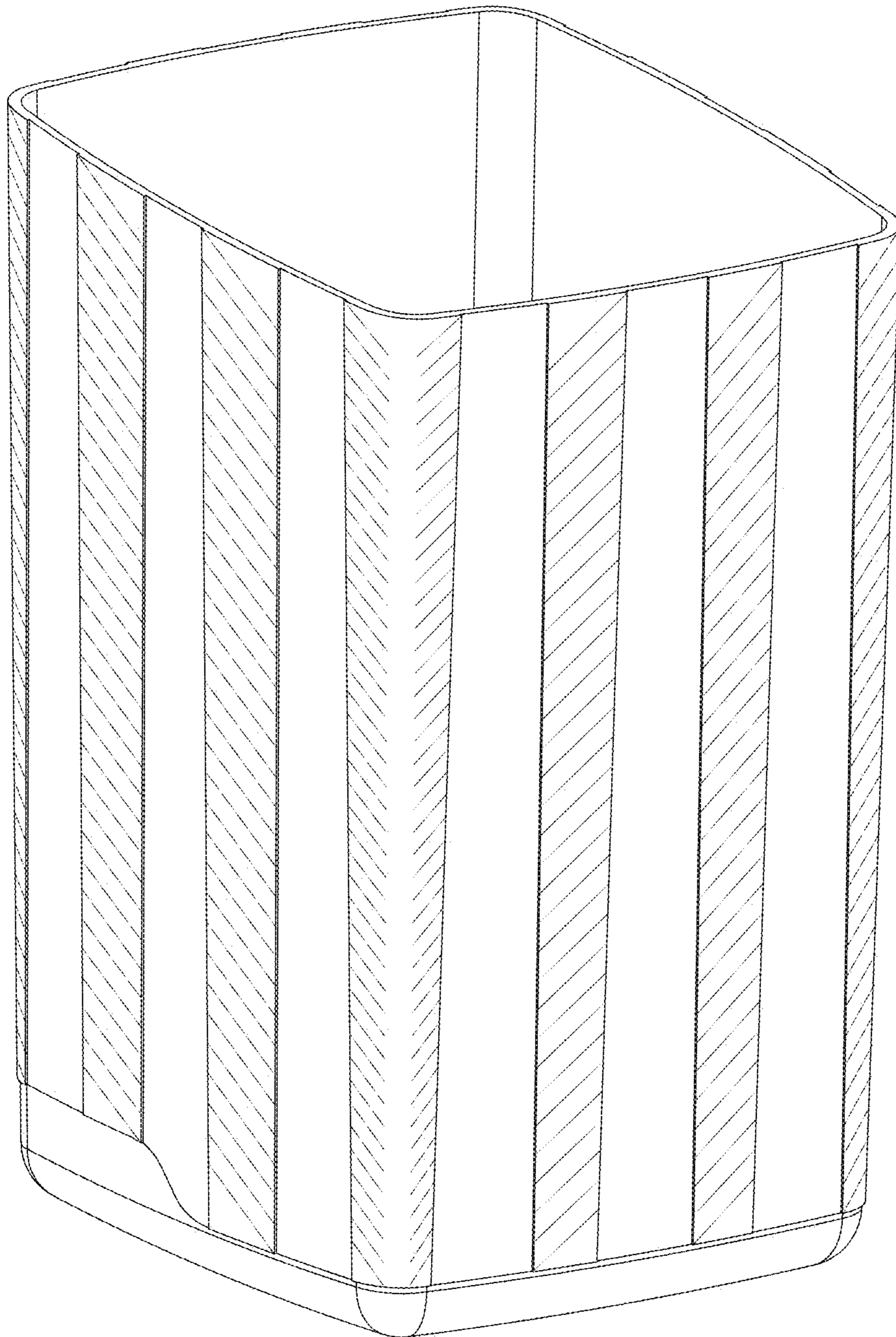


FIG. 39

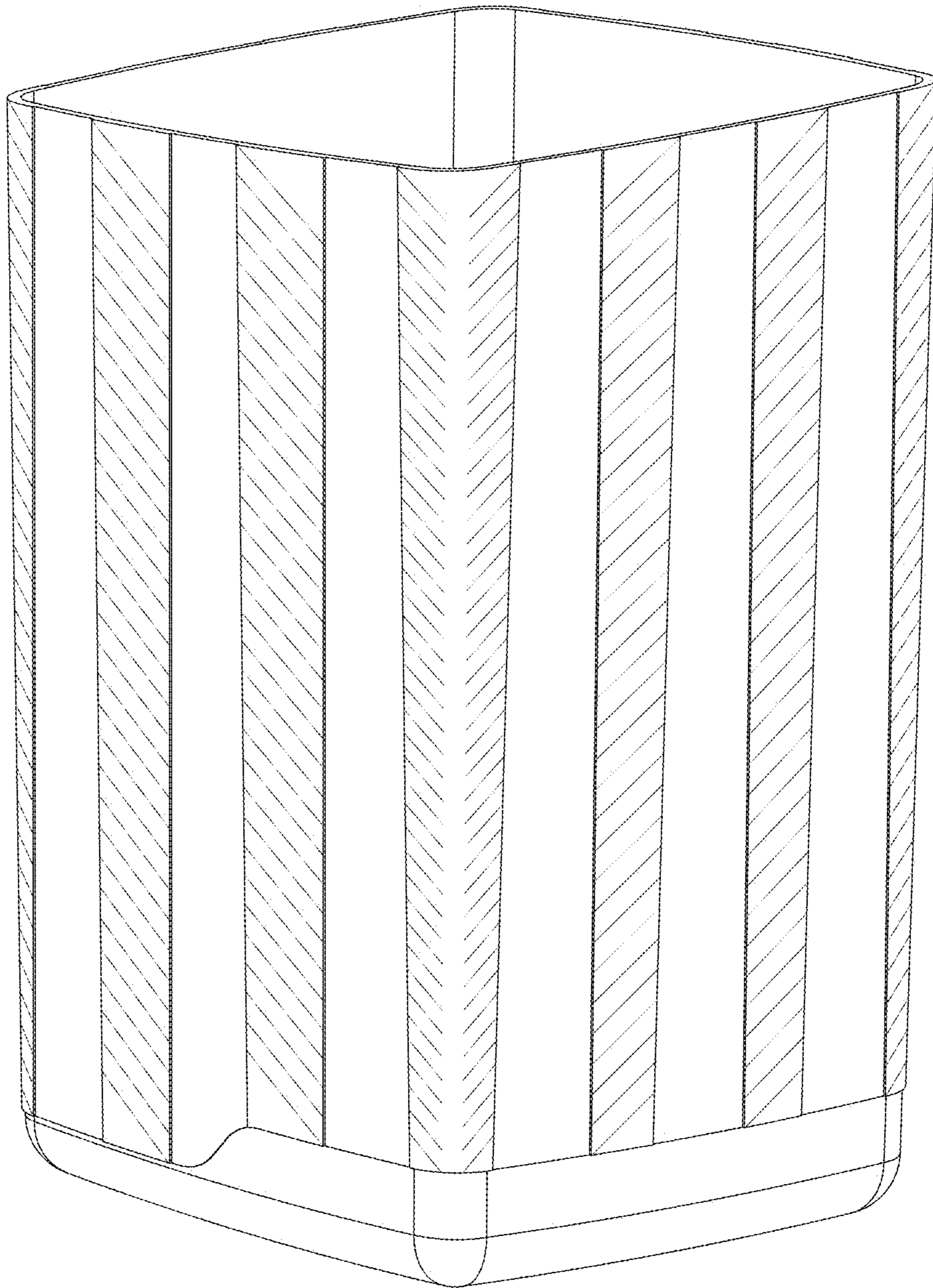


FIG. 40

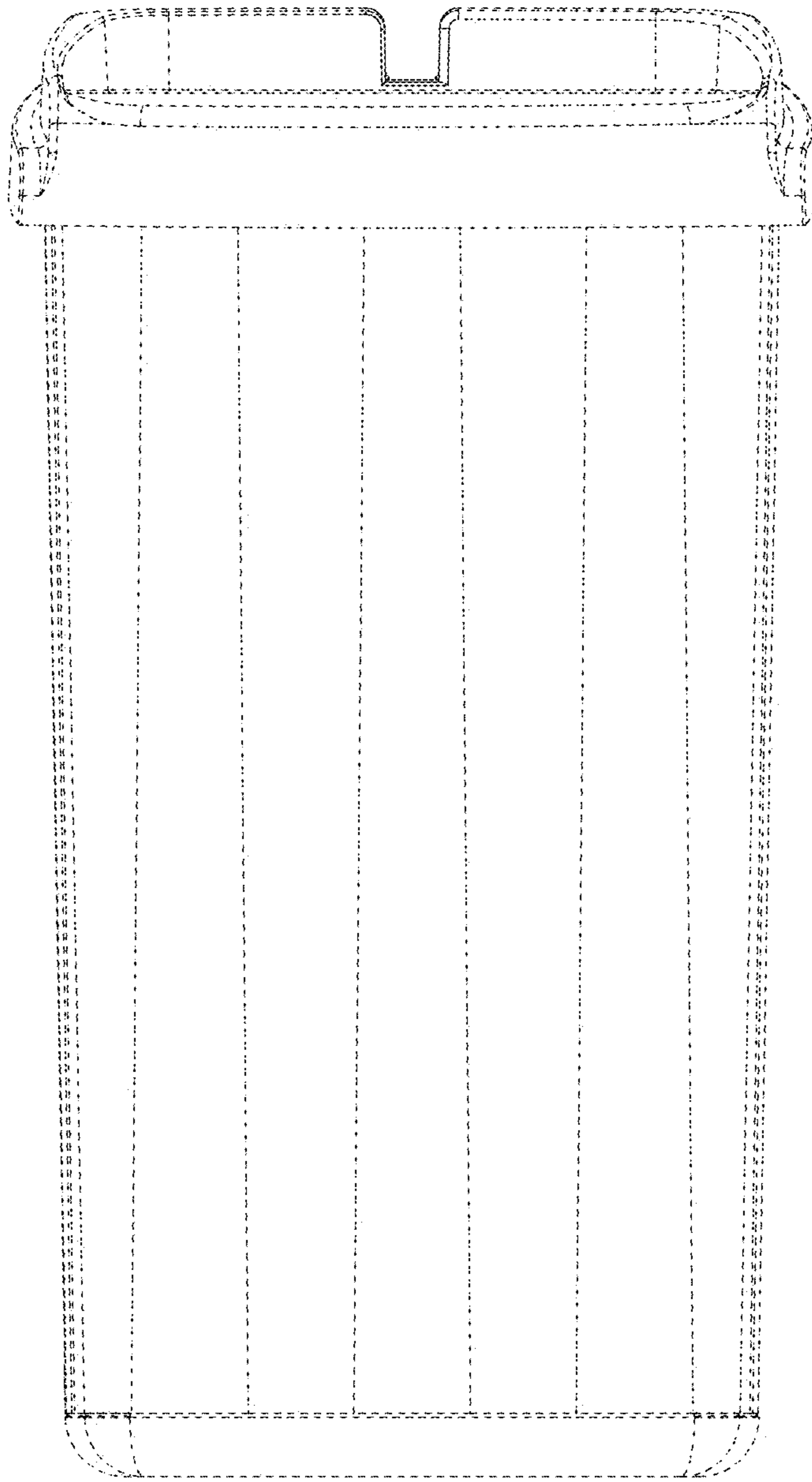


FIG. 41

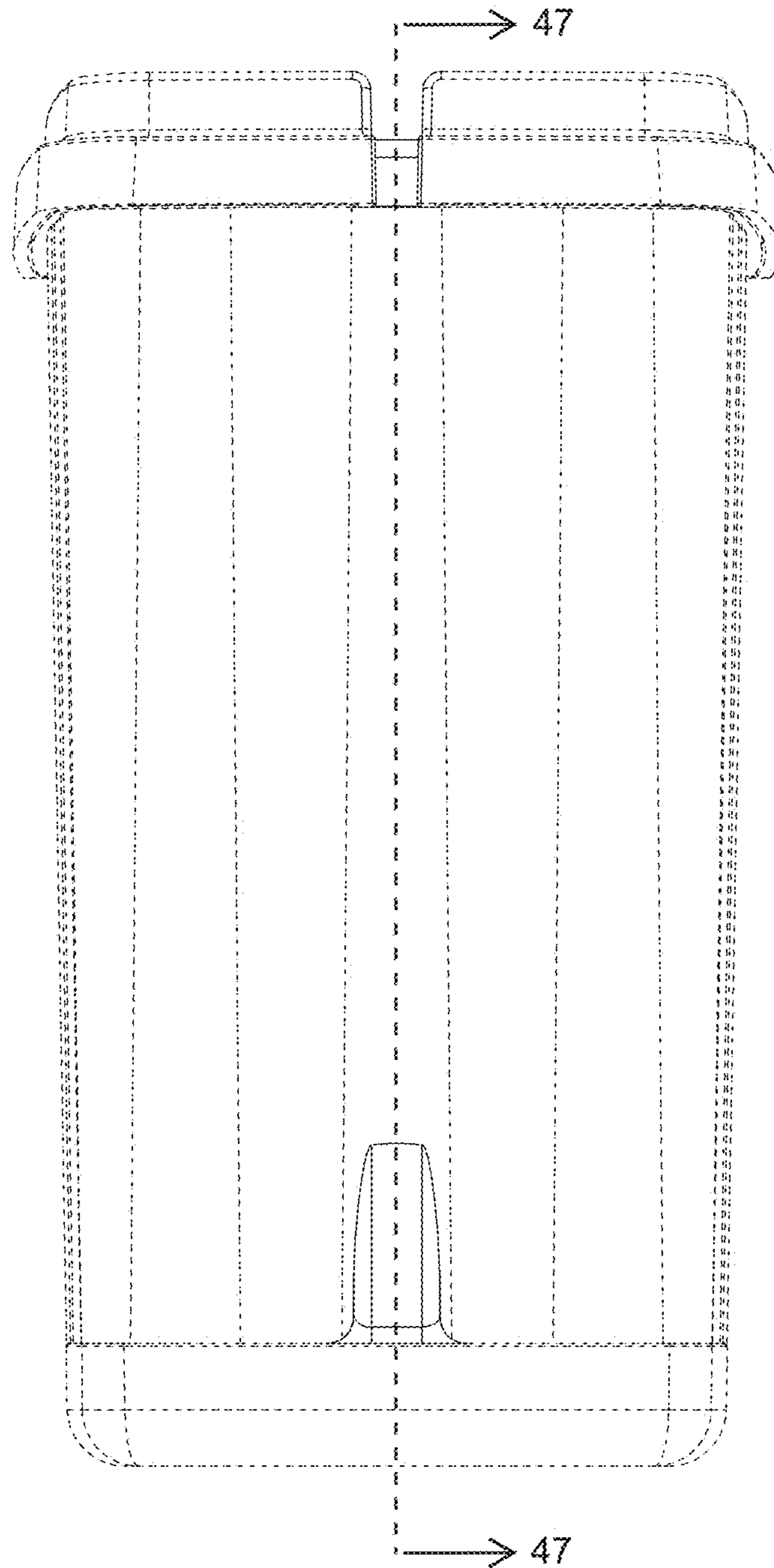


FIG. 42

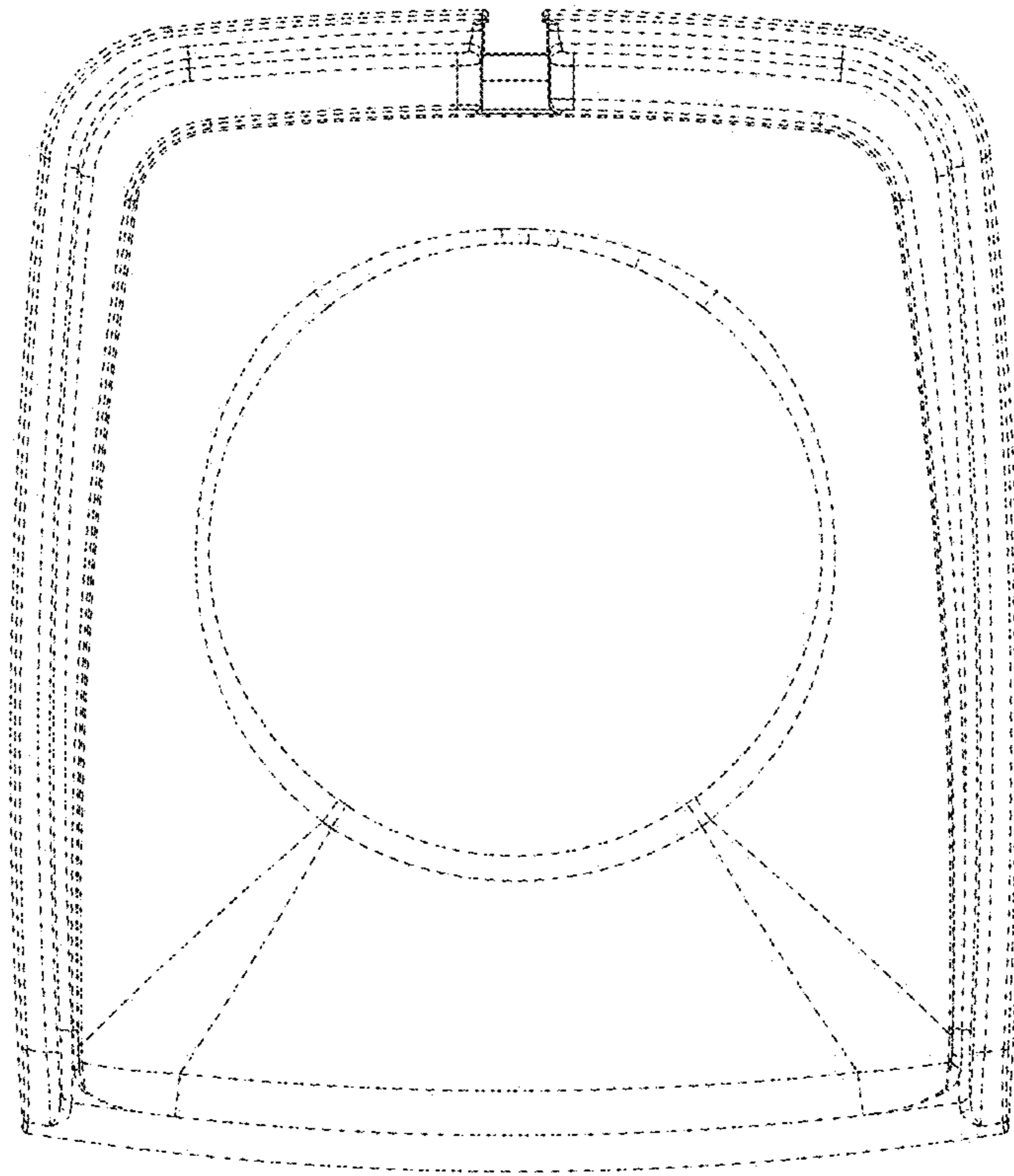


FIG. 43

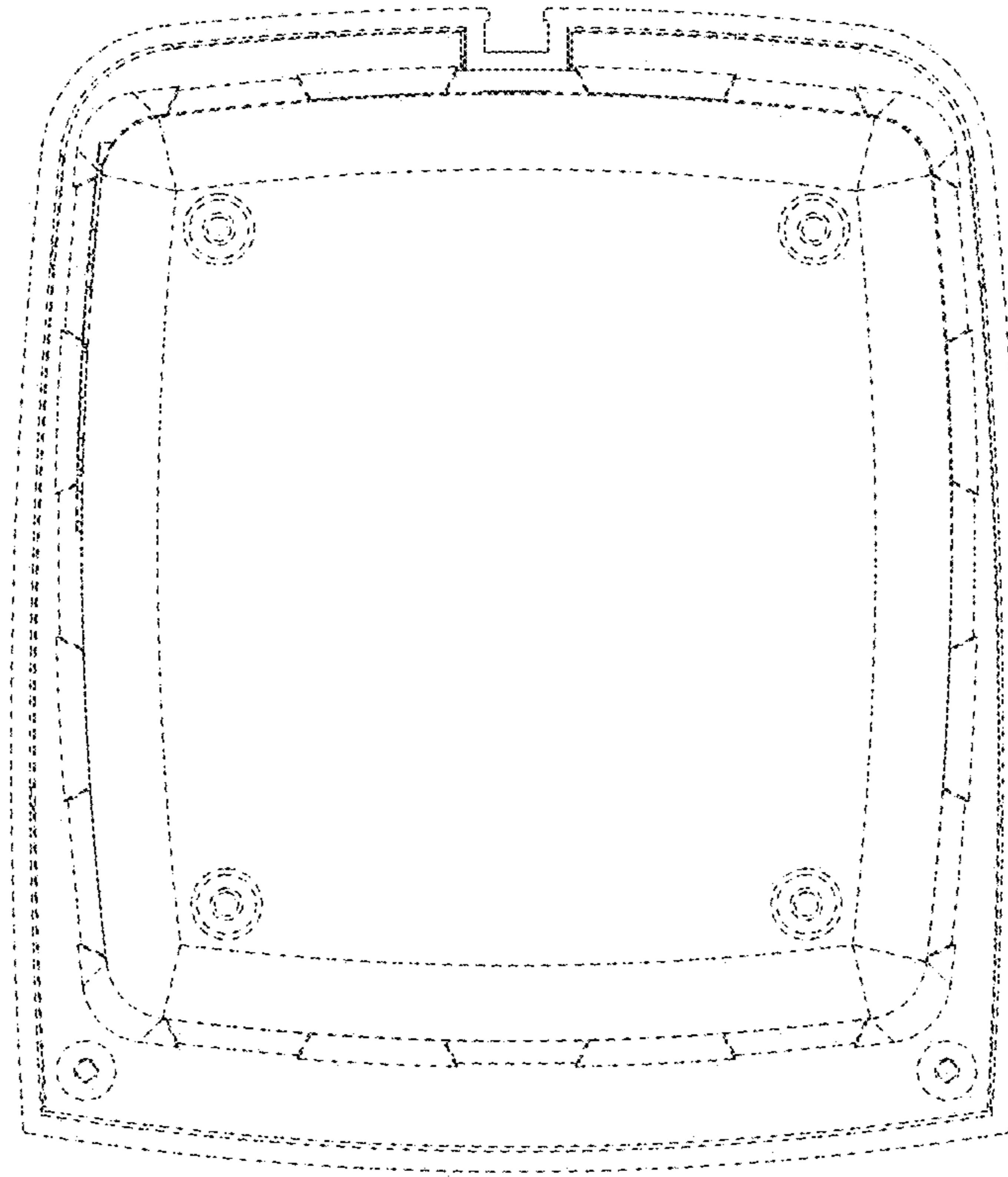


FIG. 44

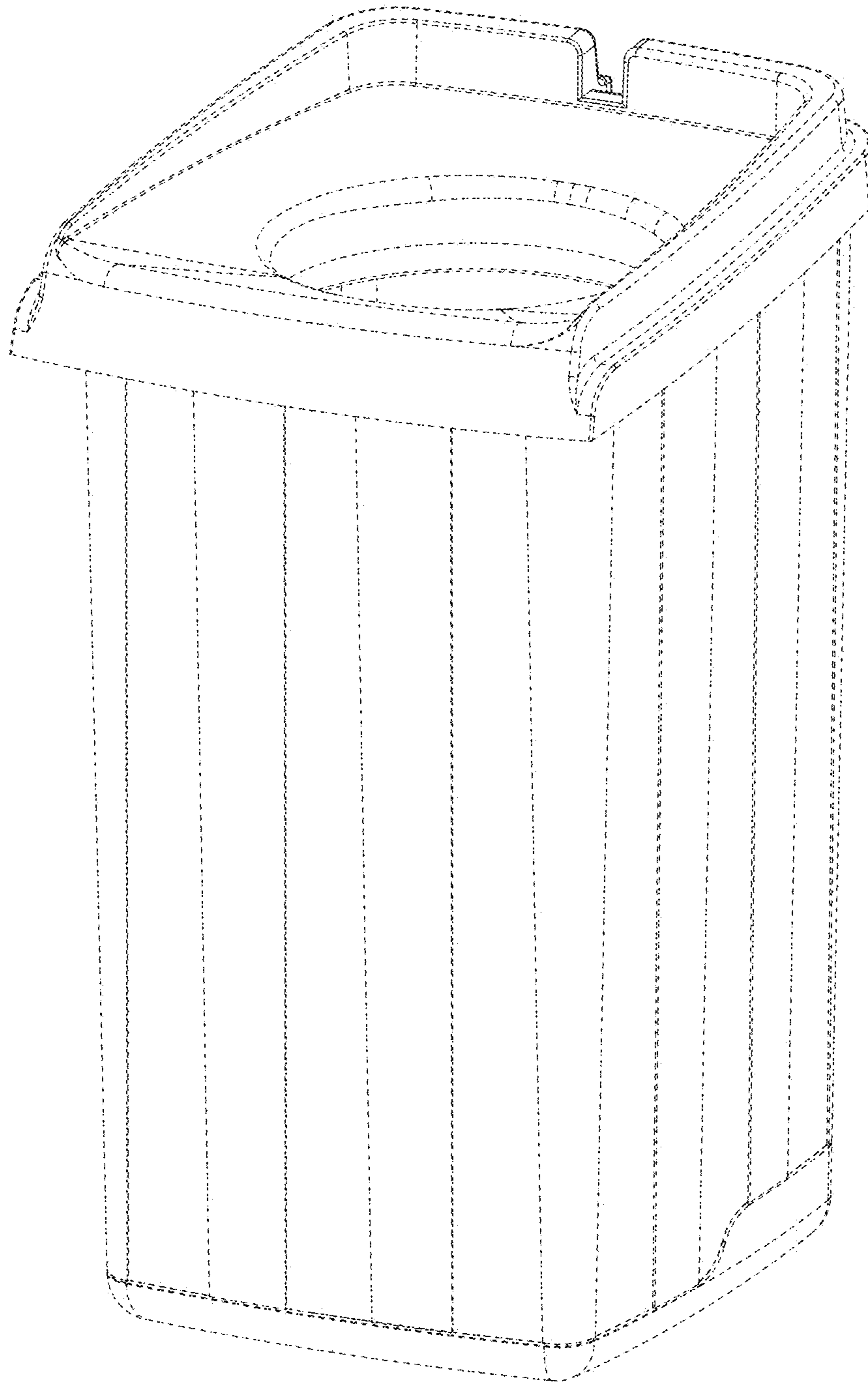


FIG. 45

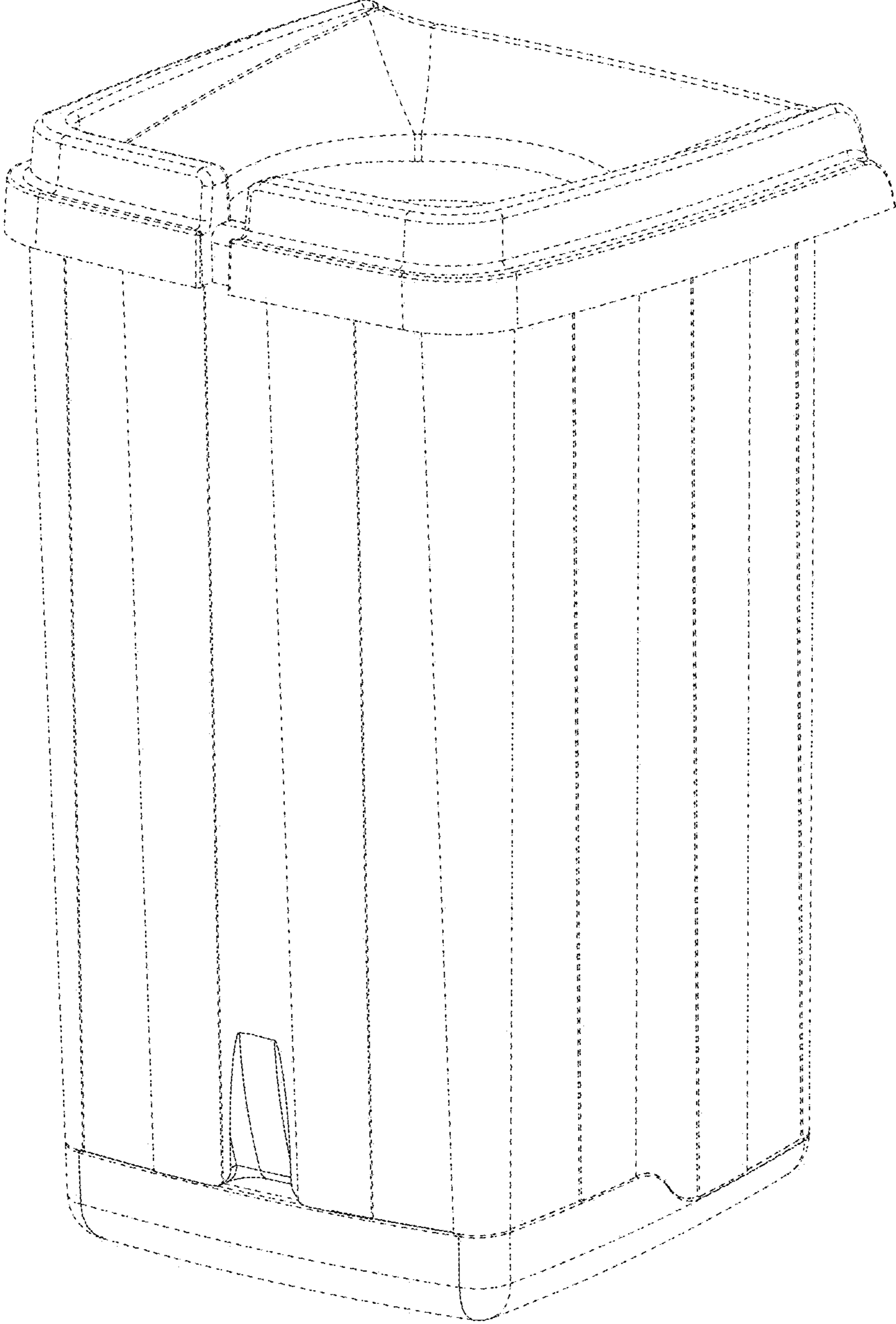


FIG. 46

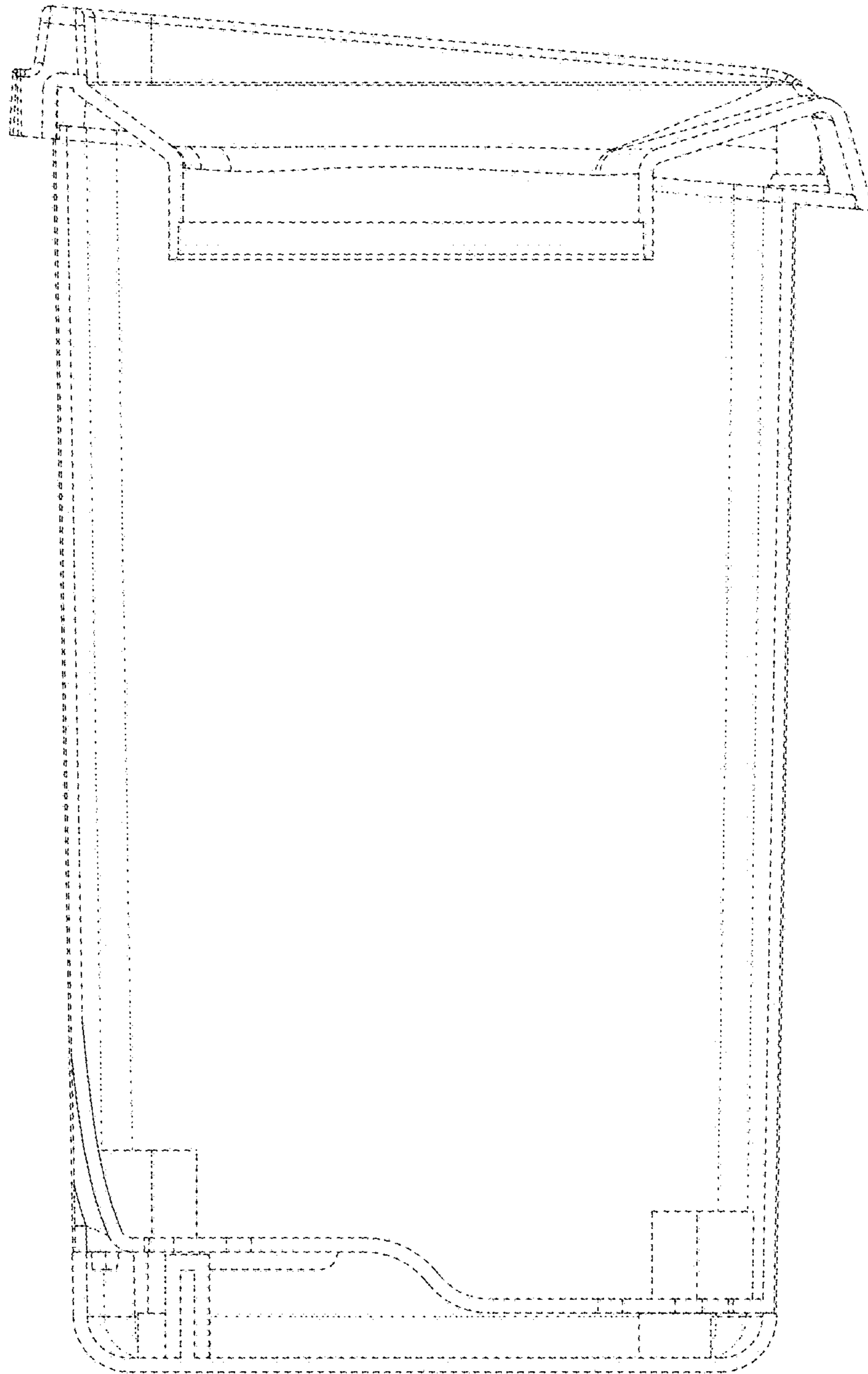


FIG. 47