



US00D832633S

(12) **United States Design Patent**  
**McNae**

(10) **Patent No.:** **US D832,633 S**

(45) **Date of Patent:** **\*\* Nov. 6, 2018**

(54) **CHAIR BASE**

(71) Applicant: **Ace Bayou Corporation**, Wayzata, MN (US)

(72) Inventor: **Robert McNae**, Wayzata, MN (US)

(73) Assignee: **Ace Bayou Corporation**, Wayzata, MN (US)

(\*\*) Term: **15 Years**

(21) Appl. No.: **29/582,163**

(22) Filed: **Oct. 25, 2016**

(51) **LOC (11) Cl.** ..... **06-01**

(52) **U.S. Cl.**  
USPC ..... **D6/708.23**

(58) **Field of Classification Search**  
USPC ..... D6/334–336, 364, 365, 366, 708.23,  
D6/708.24, 708.25  
CPC ..... A47C 7/002; A47C 7/004; A47C 7/006;  
A47C 3/20; A47C 3/24  
See application file for complete search history.

(56) **References Cited**

**U.S. PATENT DOCUMENTS**

D164,900 S \* 10/1951 Burdick ..... D6/708.23  
D238,646 S \* 2/1976 Schoblom ..... D6/708.23

D377,282 S \* 1/1997 Chen ..... D6/708.23  
D413,214 S \* 8/1999 Chu ..... D6/708.23  
D431,942 S \* 10/2000 Chen ..... D6/708.23

\* cited by examiner

*Primary Examiner* — Mimoso De

(74) *Attorney, Agent, or Firm* — Michael A. Bondi; Moss & Barnett

(57) **CLAIM**

The ornamental design for a chair base, as shown and described herein.

**DESCRIPTION**

FIG. 1 is a perspective view of a chair base according to the invention.

FIG. 2 is a top view of the chair base.

FIG. 3 is a front view of the chair base.

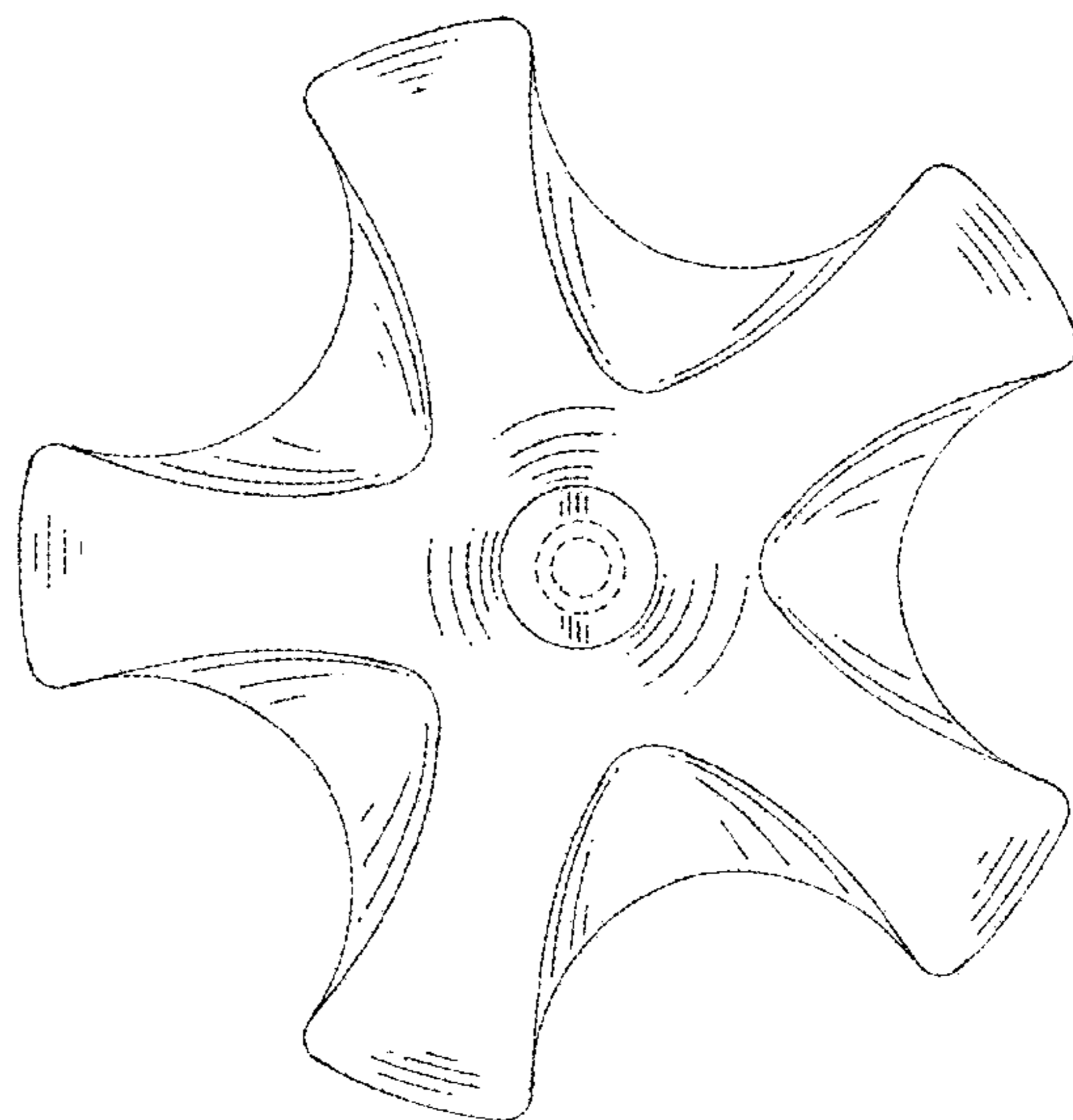
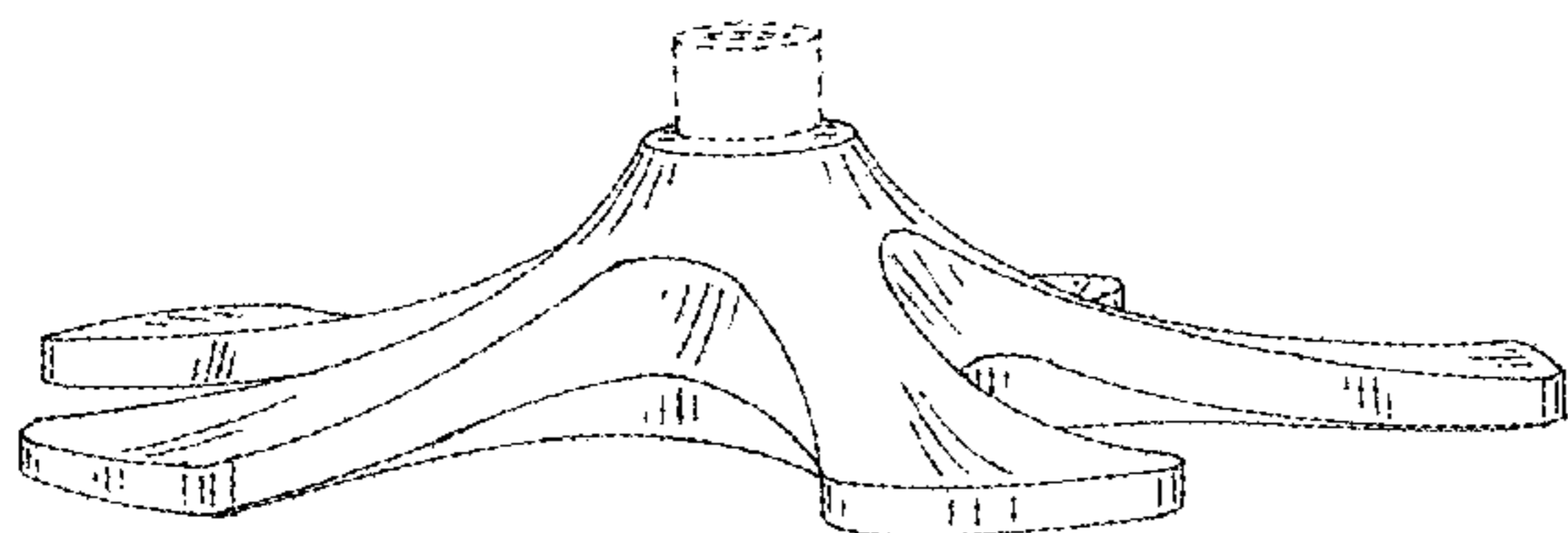
FIG. 4 is a back view of the chair base.

FIG. 5 is a first side view of the chair base; and,

FIG. 6 is a second side view of the chair base.

The broken lines shown in the drawing are for the purpose of illustrating environmental structure and form no part of the claimed design.

**1 Claim, 3 Drawing Sheets**



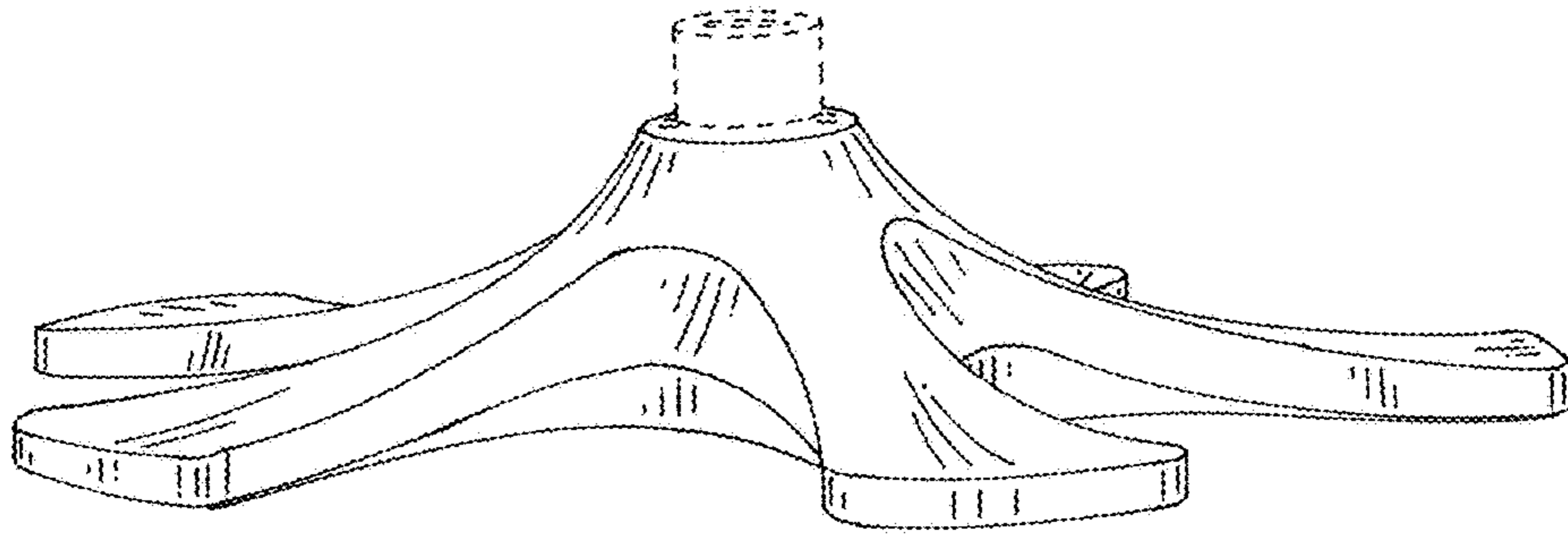


FIG. 1

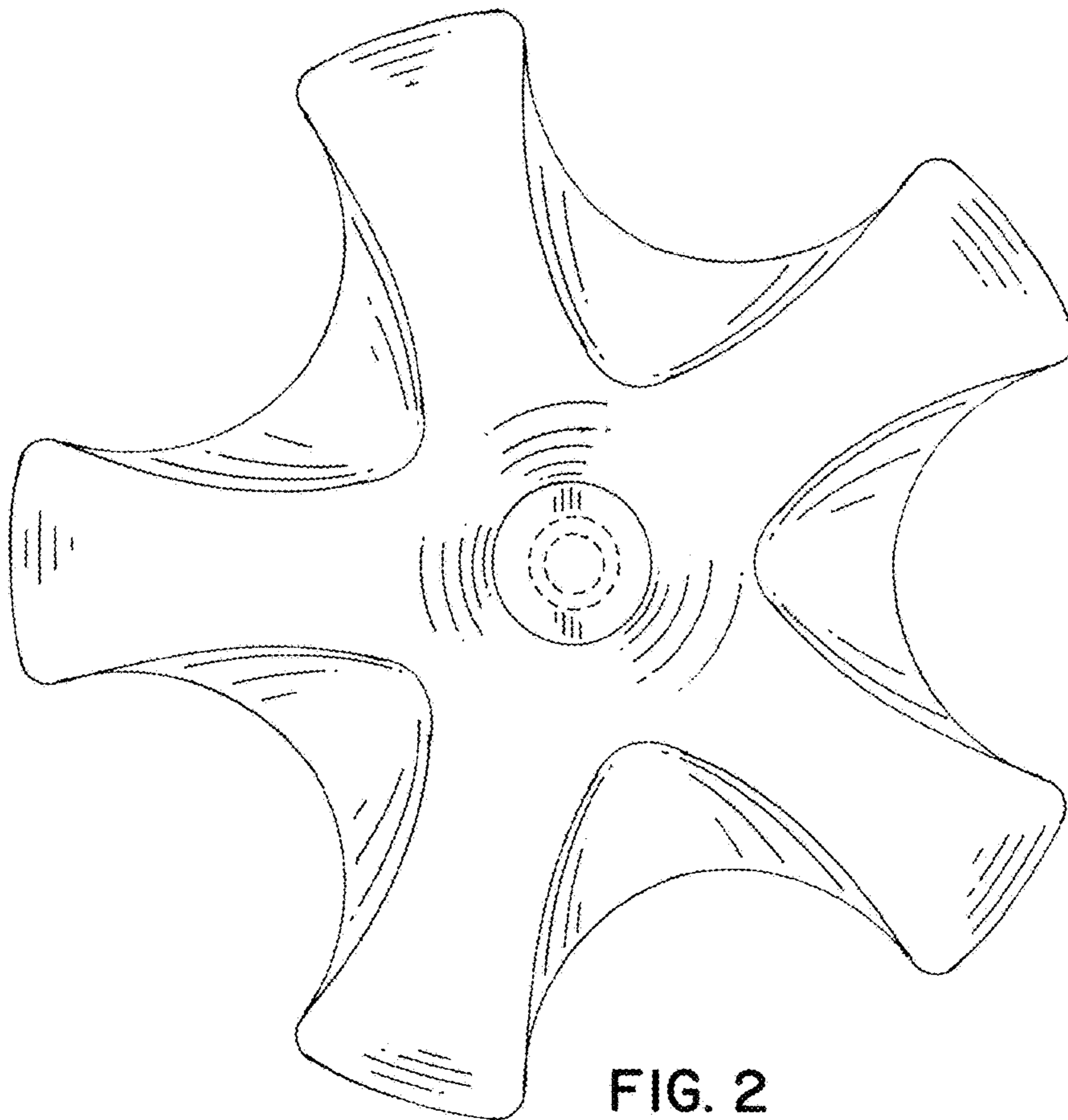


FIG. 2

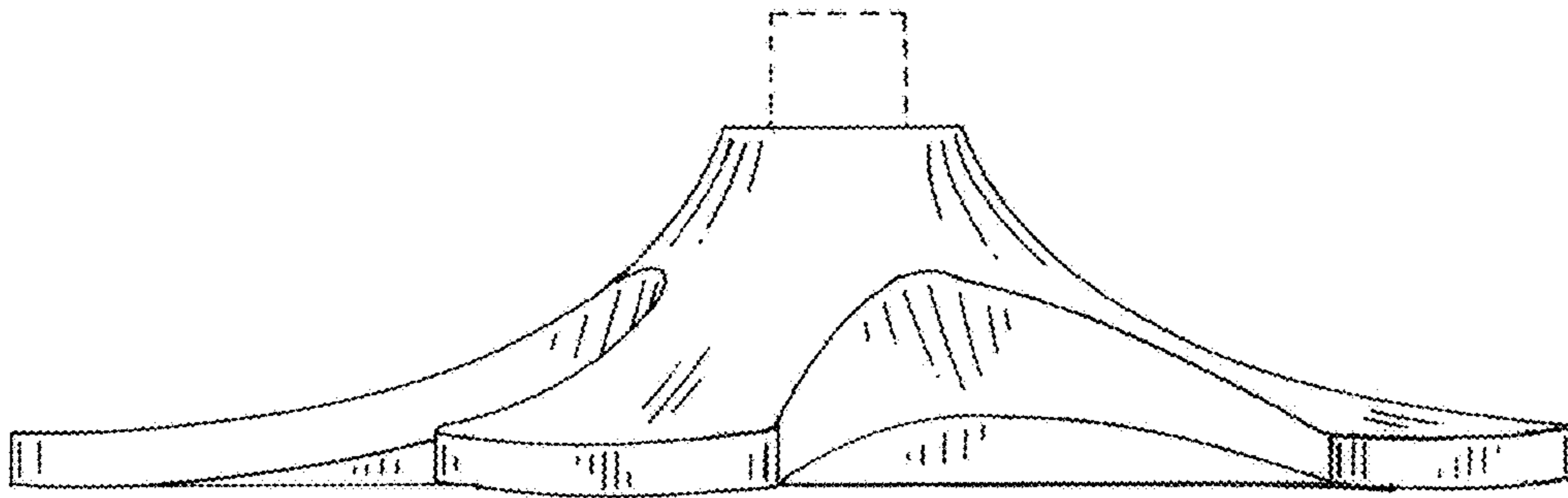


FIG. 3

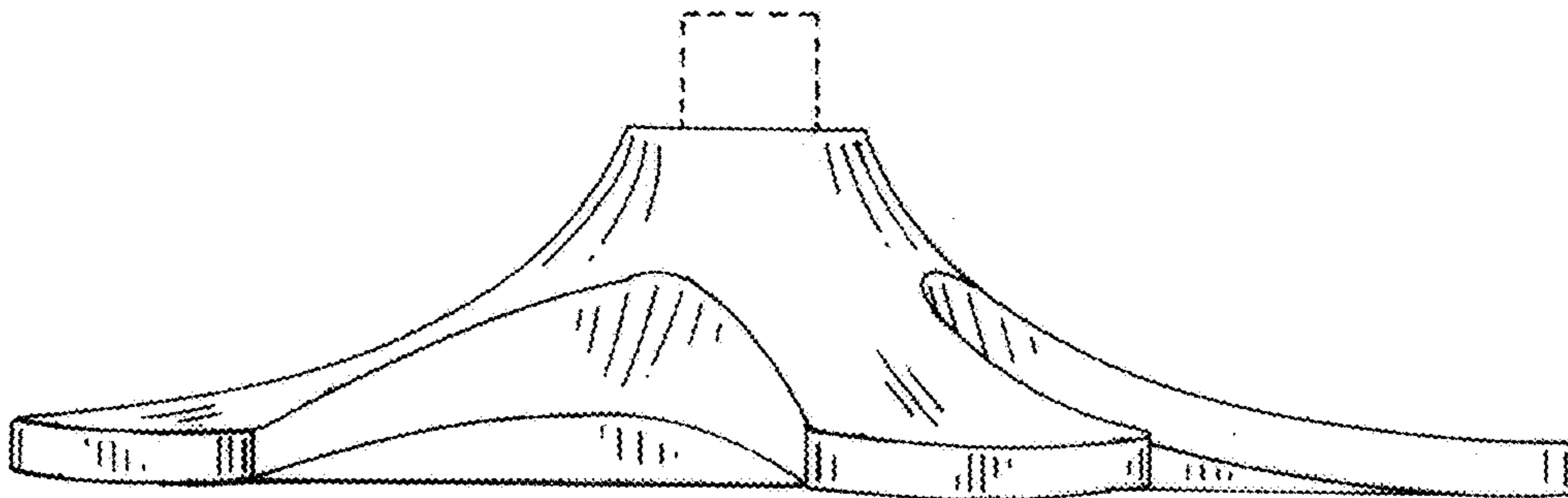


FIG. 4

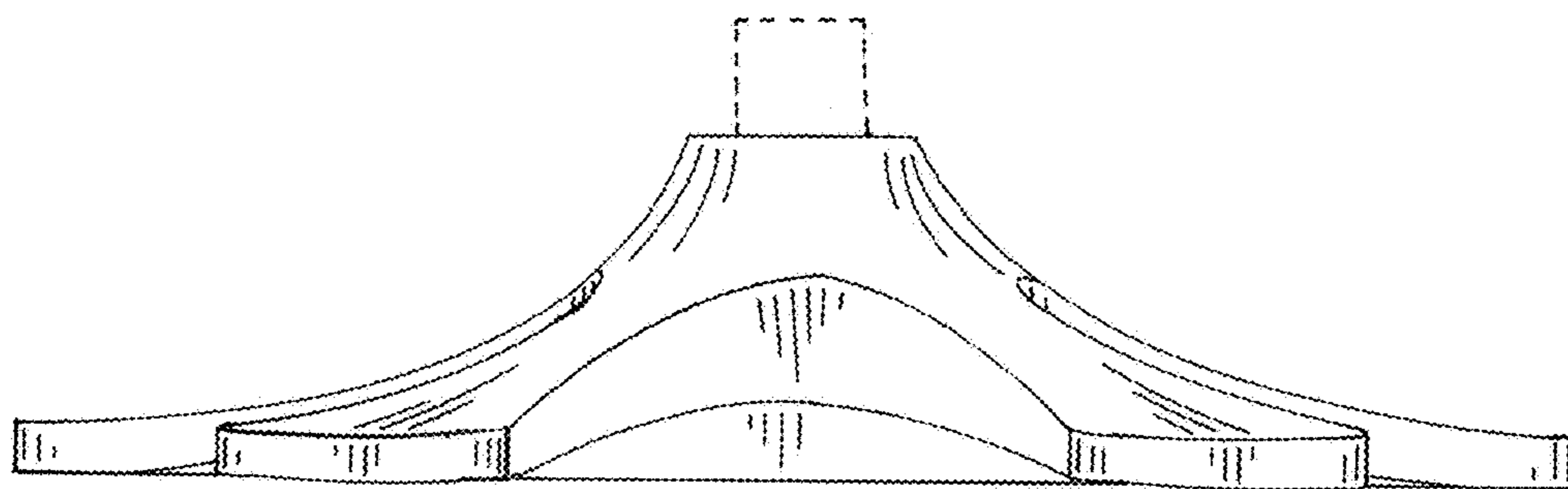


FIG. 5

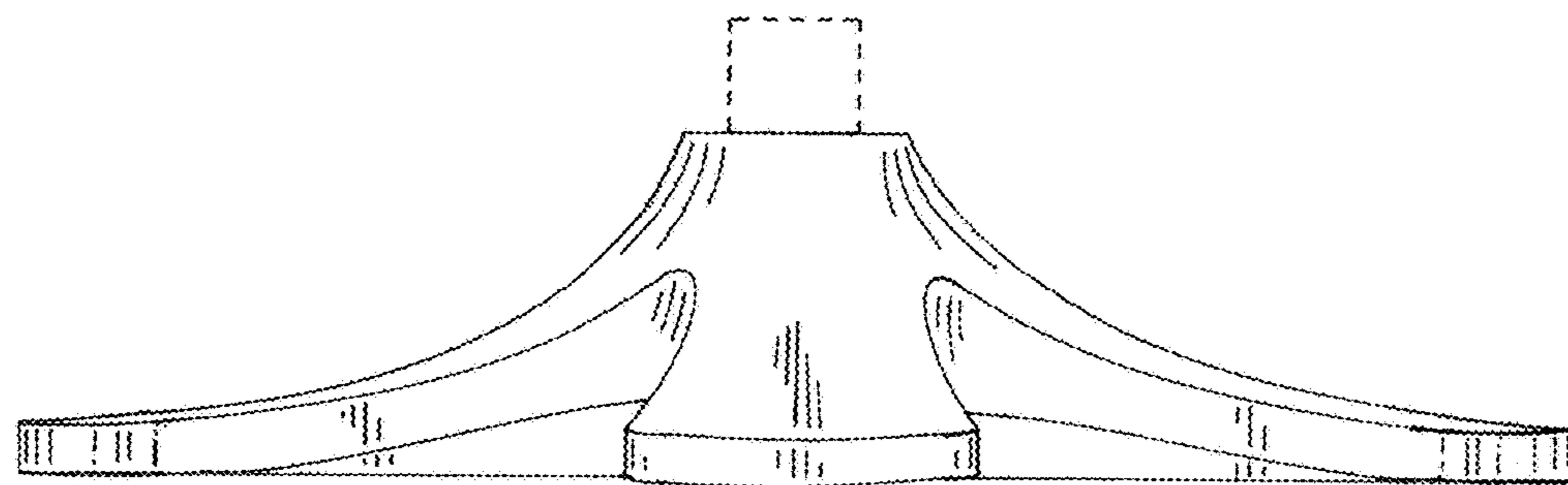


FIG. 6