

US00D832631S

(12) **United States Design Patent**
Hennessey

(10) **Patent No.:** **US D832,631 S**

(45) **Date of Patent:** **** Nov. 6, 2018**

(54) **BASE FOR A MUSIC STAND**

(71) Applicant: **James R. Hennessey**, West Hartford, CT (US)

(72) Inventor: **James R. Hennessey**, West Hartford, CT (US)

(73) Assignee: **The Music People, Inc.**, Berlin, CT (US)

(**) Term: **15 Years**

(21) Appl. No.: **29/562,773**

(22) Filed: **Apr. 28, 2016**

(51) **LOC (11) Cl.** **06-06**

(52) **U.S. Cl.**
USPC **D6/701**

(58) **Field of Classification Search**
USPC D6/700, 701, 708, 708.23, 366;
248/27.3, 441.1, 346.01, 346.03, 445,
248/188.7
CPC A47B 19/00; A47B 19/002; A47B 19/02;
A47B 19/10; A47B 91/005
See application file for complete search history.

(56) **References Cited**

U.S. PATENT DOCUMENTS

D186,895 S * 12/1959 Wenger D6/701
D187,030 S * 1/1960 Wenger D6/701
D196,429 S * 10/1963 Johnson D6/366

D240,490 S * 7/1976 Hunt D6/708.23
D283,770 S * 5/1986 Hanninen D6/366
D388,262 S * 12/1997 Benting D17/99
D433,257 S * 11/2000 Chen D6/366
D476,177 S * 6/2003 Hennessey D6/708
D686,031 S * 7/2013 Weber D6/708.23
D688,906 S * 9/2013 Egger D6/708.23
D793,785 S * 8/2017 Ediger D6/708.23
D794,365 S * 8/2017 Izawa D6/708.23

* cited by examiner

Primary Examiner — R. Johnson

(74) *Attorney, Agent, or Firm* — Whitmyer IP Group LLC

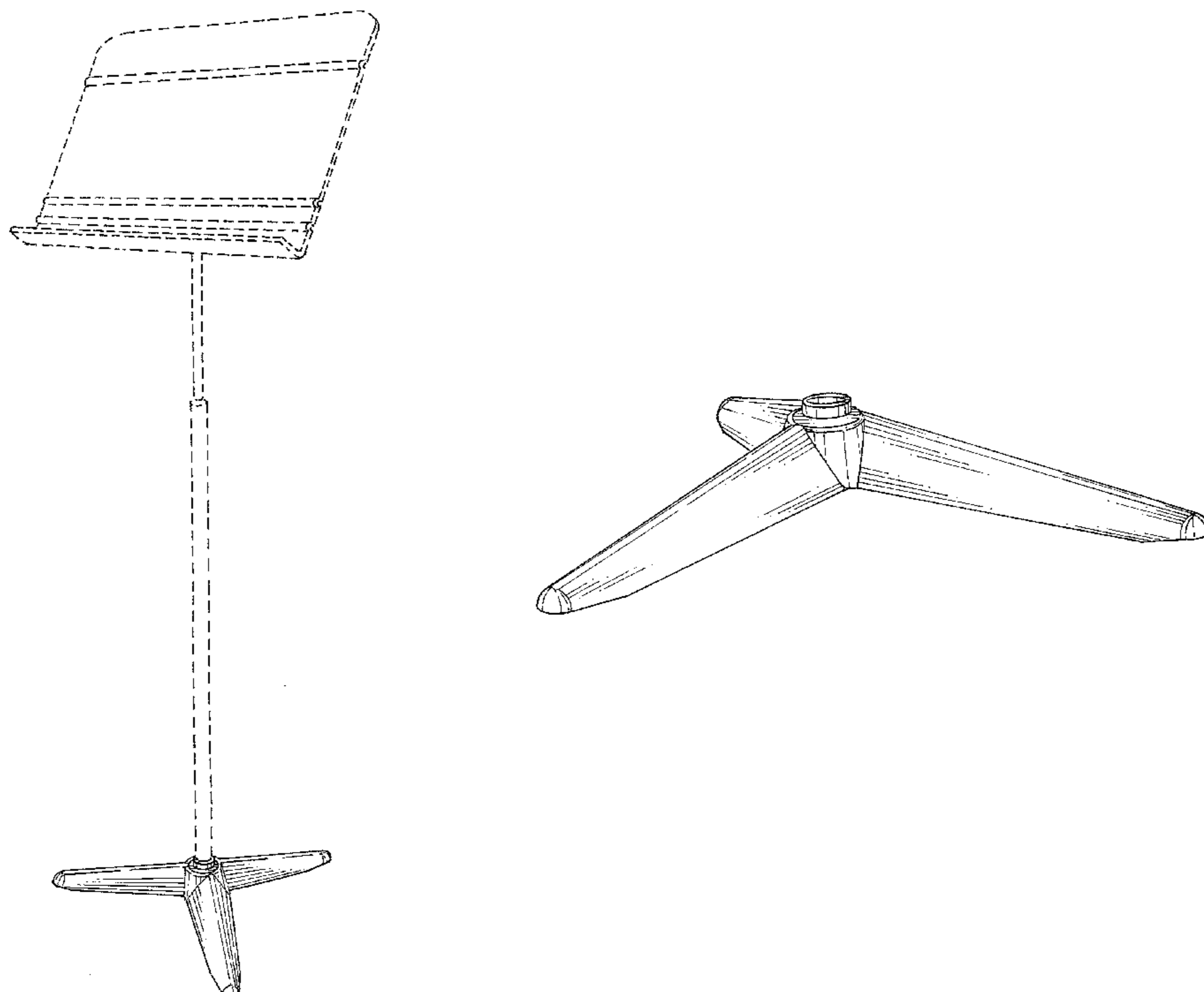
(57) **CLAIM**

The ornamental design for a base for a music stand, as shown and described.

DESCRIPTION

FIG. 1 is a front isometric view of a base for a music stand in accordance with the new design; the base for a music stand shown in use;
FIG. 2 is a front isometric view of a base for a music stand in accordance with the new design;
FIG. 3 is a side isometric view thereof;
FIG. 4 is a top view thereof; and
FIG. 5 is a front view thereof;
FIG. 6 is a bottom view thereof; and,
FIG. 7 is a rear view thereof.
The broken lines in FIG. 1 are for the purpose of illustrating the design in use and form no part of the claimed design.

1 Claim, 4 Drawing Sheets



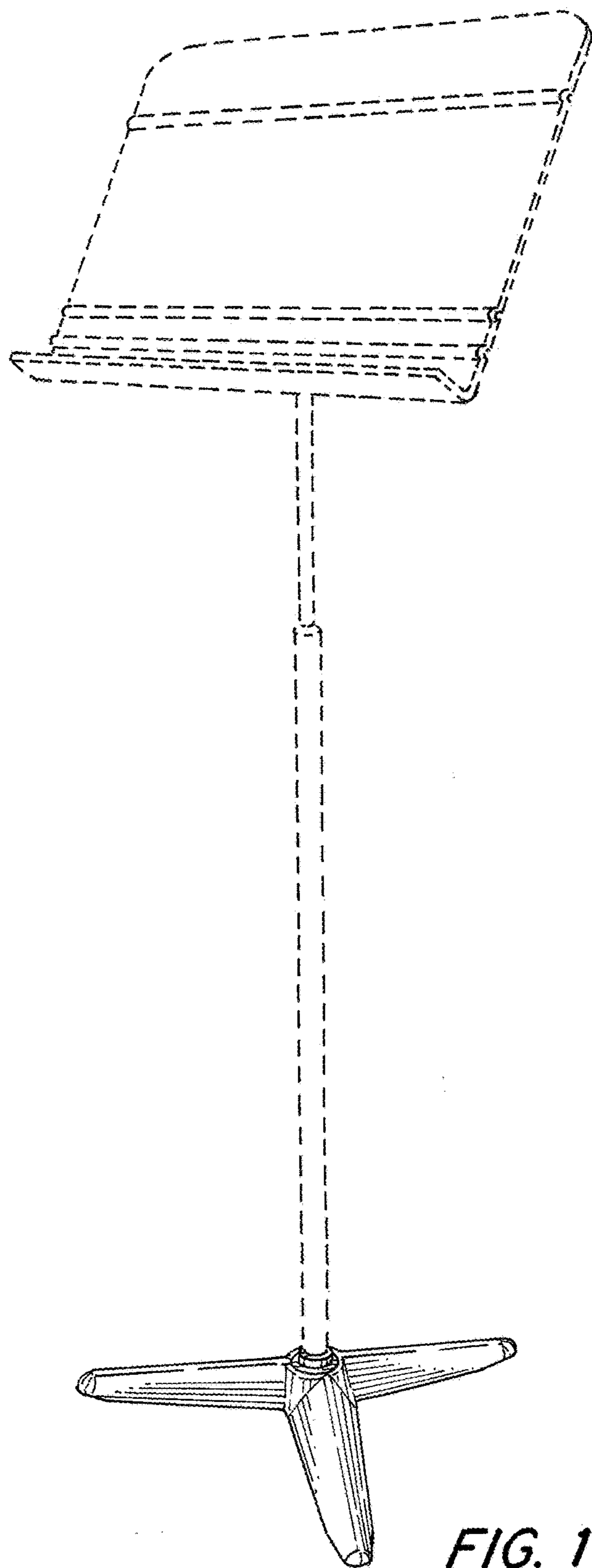


FIG. 1

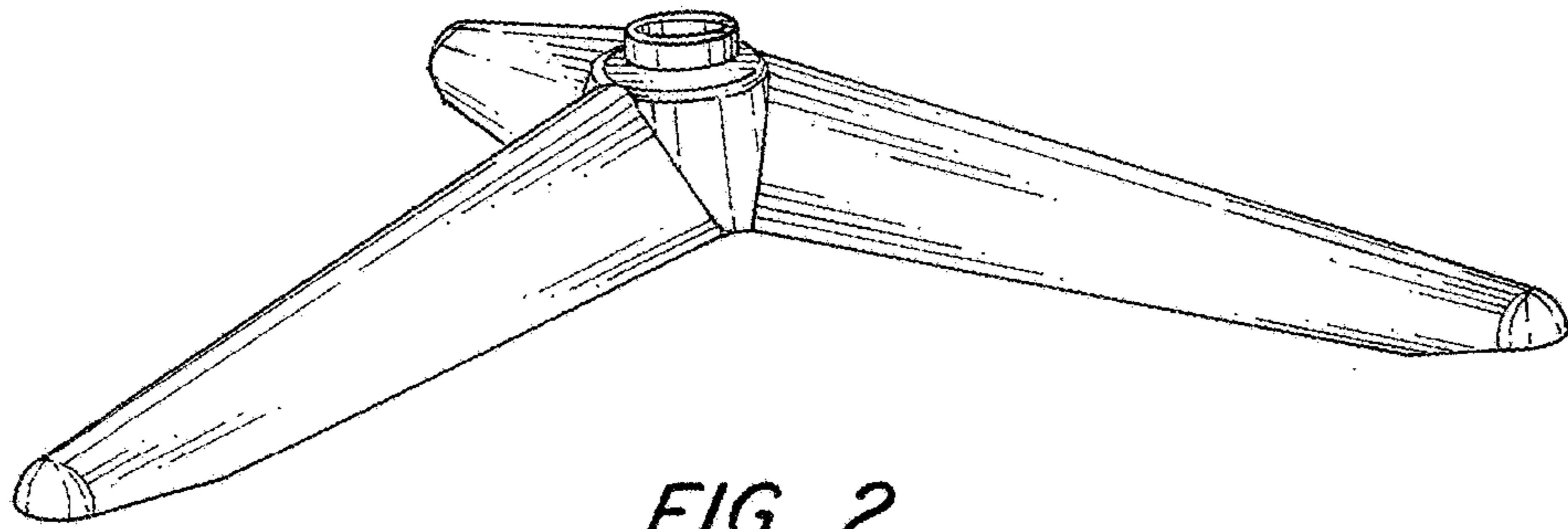


FIG. 2

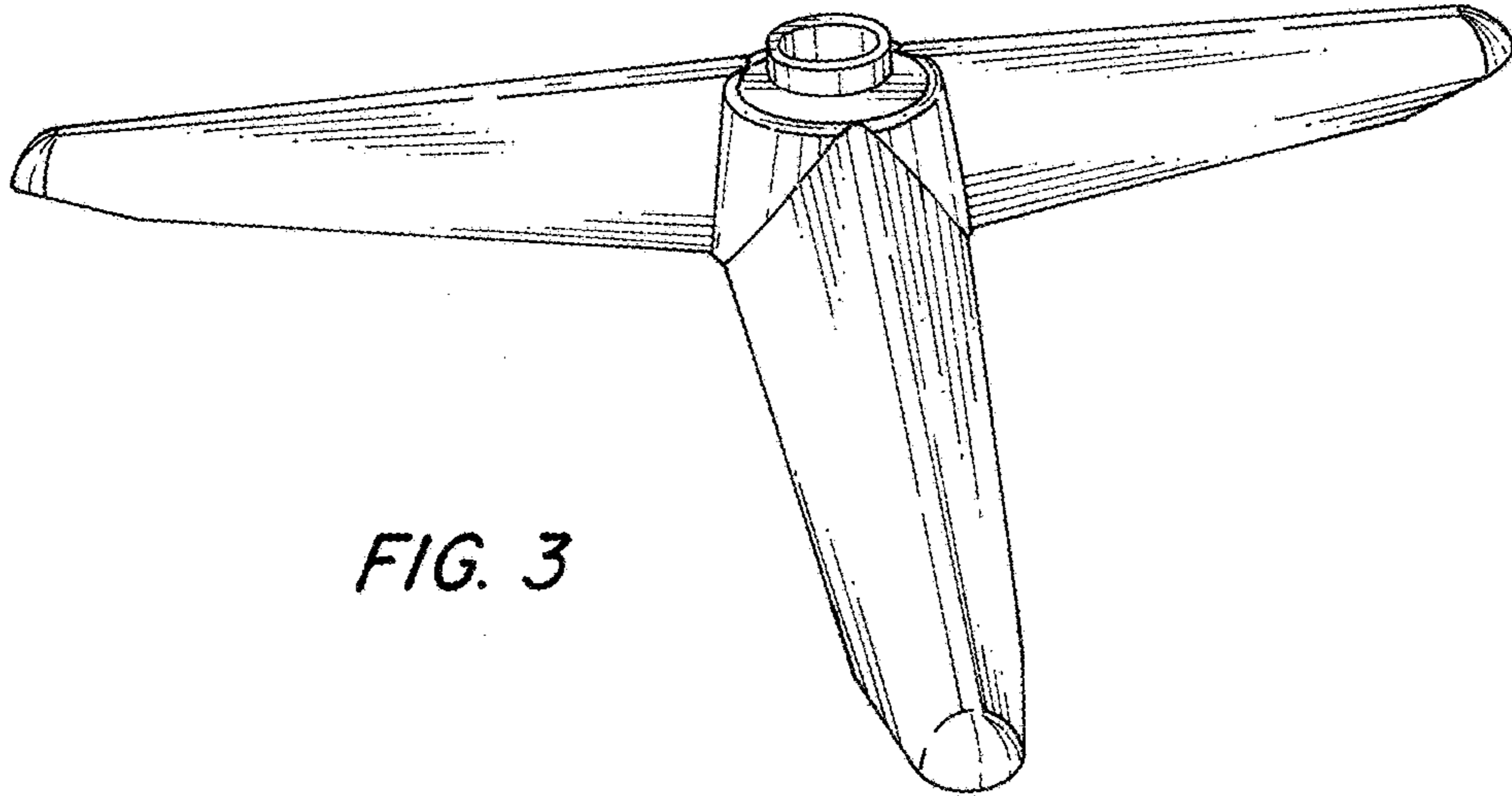


FIG. 3

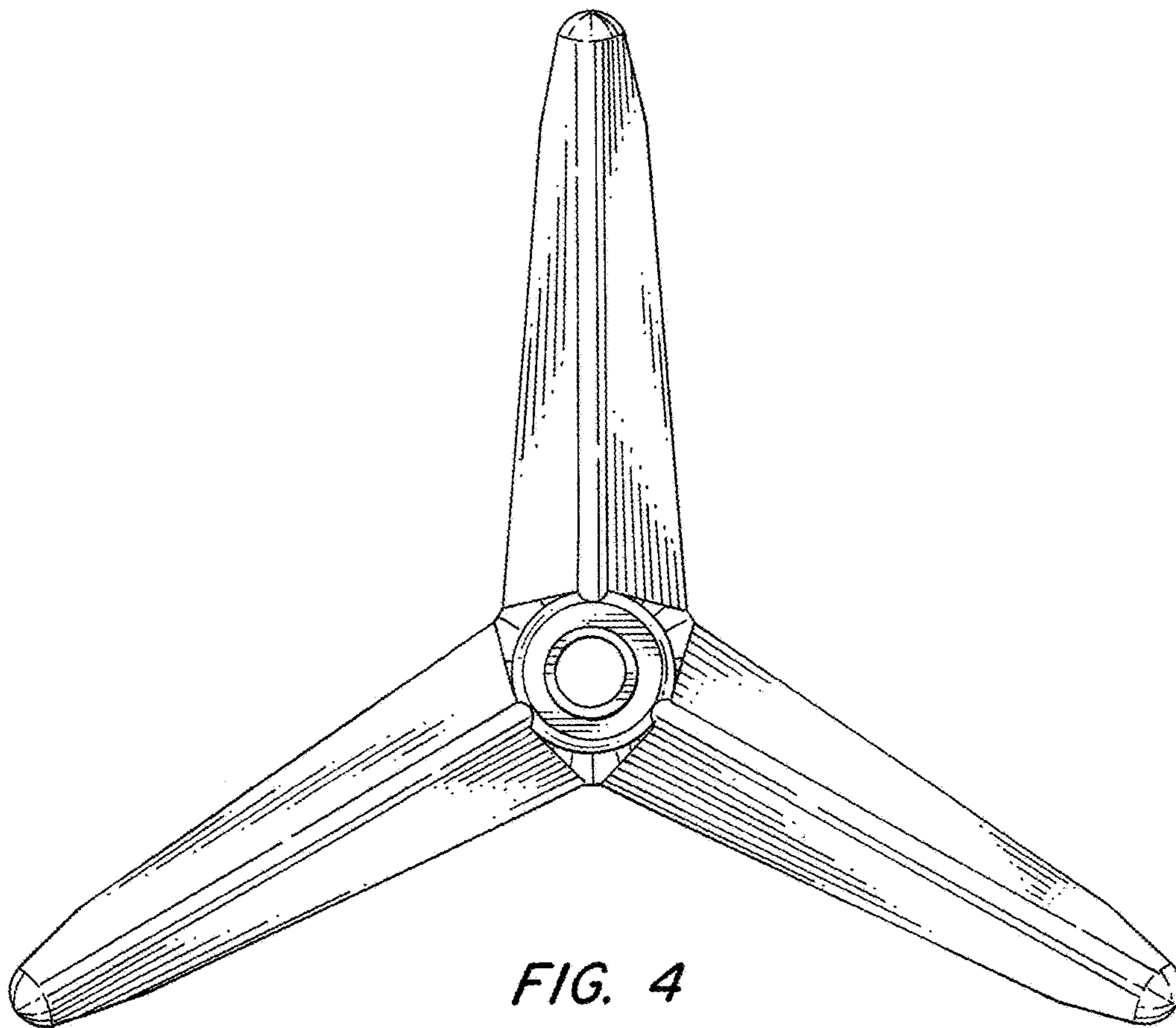


FIG. 4

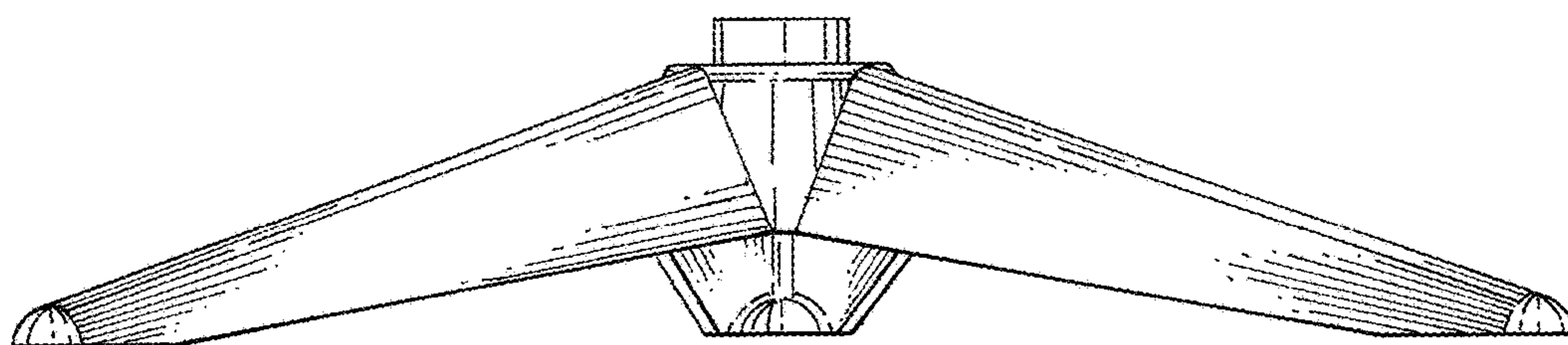


FIG. 5

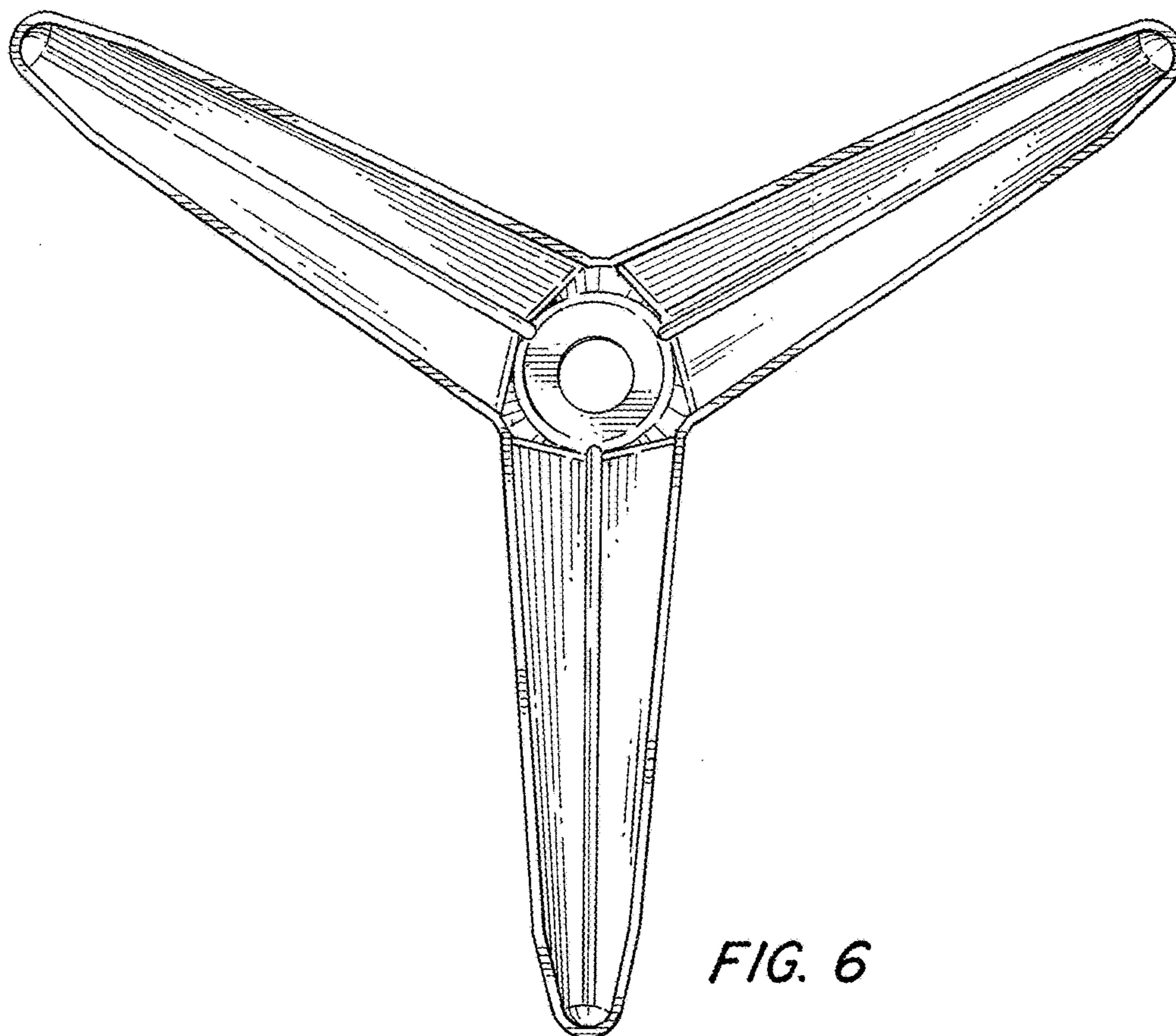


FIG. 6

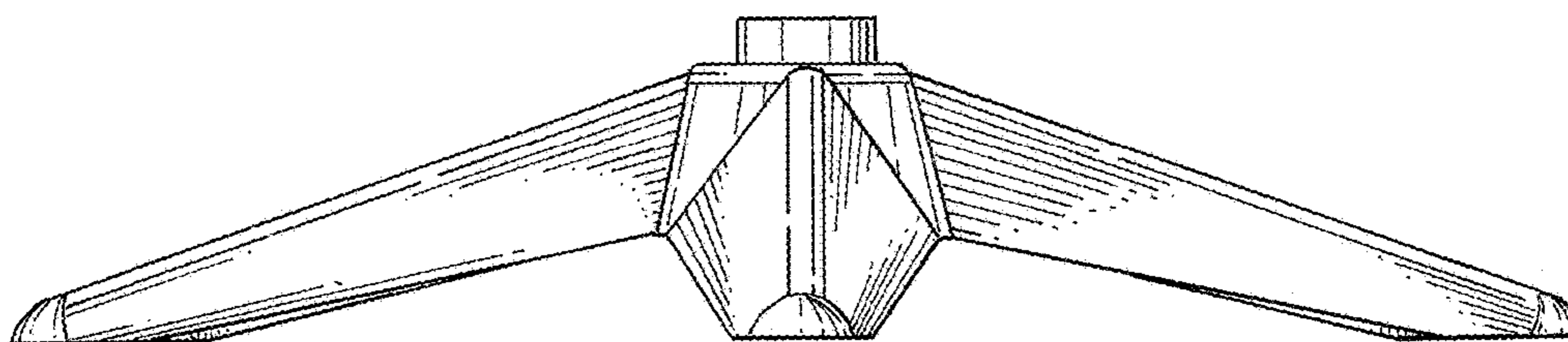


FIG. 7