



US00D832630S

(12) **United States Design Patent**  
**Liu**

(10) **Patent No.:** **US D832,630 S**

(45) **Date of Patent:** **\*\* Nov. 6, 2018**

- (54) **TABLE**
- (71) Applicant: **Merry Yard International Enterprise Corp.**, New Taipei (TW)
- (72) Inventor: **Pao-Yu Liu**, New Taipei (TW)
- (73) Assignee: **MERRY YARD INTERNATIONAL ENTERPRISE CORP.**, New Taipei (TW)

- D109,790 S \* 5/1938 Salomon ..... D6/694
- D153,909 S \* 5/1949 Wais ..... 108/91
- 3,954,068 A \* 5/1976 Roberts ..... A47B 3/0918  
105/124
- D288,637 S \* 3/1987 Winzeler, III ..... D34/21
- D299,601 S \* 1/1989 Campbell ..... D6/406.2
- 5,603,267 A \* 2/1997 Soper ..... A47B 3/00  
108/116
- D655,950 S \* 3/2012 Kvello ..... D6/691.7
- D691,840 S \* 10/2013 Copeland ..... D6/656.15
- D720,161 S \* 12/2014 Udagawa ..... D6/656.13
- D773,201 S \* 12/2016 Cardell ..... D6/406.1

(\*\*) Term: **15 Years**

\* cited by examiner

(21) Appl. No.: **29/616,019**

*Primary Examiner* — Mary Ann Calabrese

(22) Filed: **Sep. 1, 2017**

*Assistant Examiner* — Catherine Ho

(51) **LOC (11) Cl.** ..... **06-03**

(74) *Attorney, Agent, or Firm* — Bacon & Thomas, PLLC

(52) **U.S. Cl.**

USPC ..... **D6/696.3**

(58) **Field of Classification Search**

USPC ..... D6/671, 672, 675, 686, 687, 688.26,  
D6/688.27, 691, 691.1, 691.3, 691.4,  
D6/691.6, 691.8, 691.9, 693, 694, 695,  
D6/695.1, 696, 696.1, 696.3, 697, 702,  
D6/707.15, 708, 708.17, 709, 710

CPC ..... A47B 47/00; A47B 47/02; F16B 12/00;  
F16B 12/50; F24B 15/04; H02B 1/26;  
H02B 1/30

See application file for complete search history.

(56) **References Cited**

**U.S. PATENT DOCUMENTS**

- D92,942 S \* 8/1934 Brown ..... D6/691.6
- D104,153 S \* 4/1937 Wilson ..... D34/17

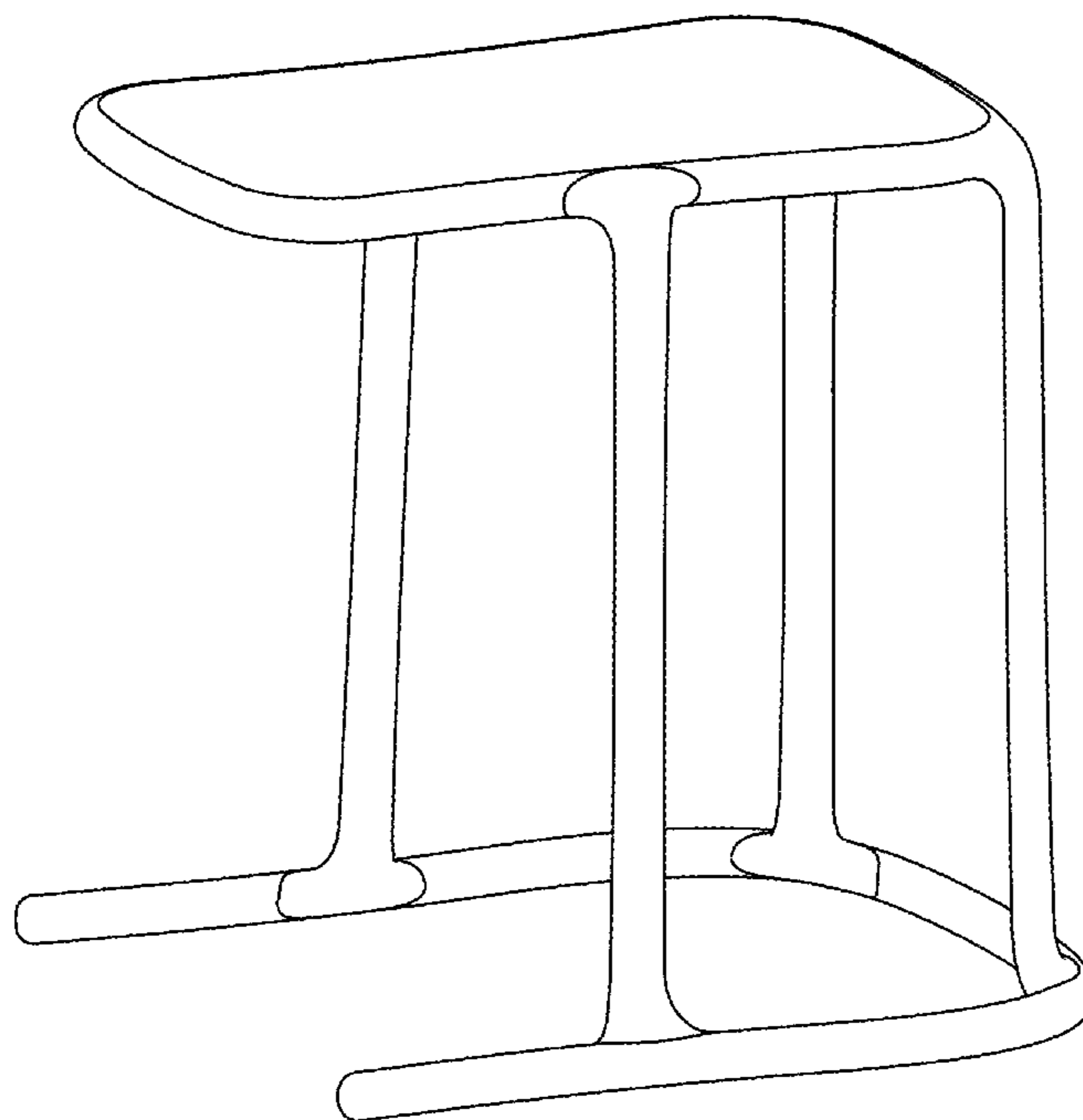
(57) **CLAIM**

The ornamental design for a table, as shown and described.

**DESCRIPTION**

FIG. 1 is a perspective view of a table showing our new design;  
 FIG. 2 is a front elevational view thereof;  
 FIG. 3 is a rear elevational view thereof;  
 FIG. 4 is a left side elevational view thereof;  
 FIG. 5 is a right side elevational view thereof;  
 FIG. 6 is a top plan view thereof; and,  
 FIG. 7 is a bottom plan view thereof.

**1 Claim, 7 Drawing Sheets**



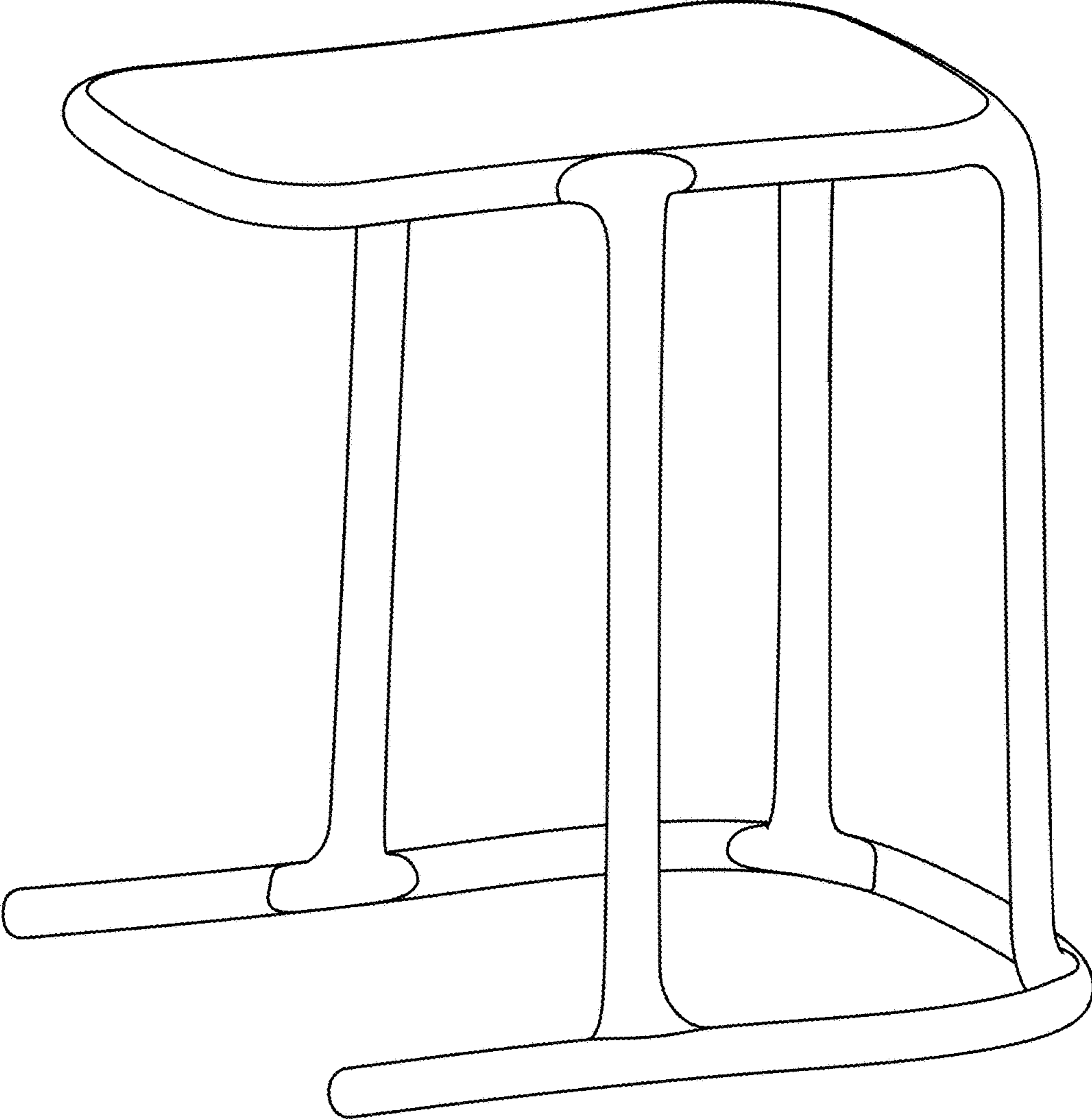


Fig. 1

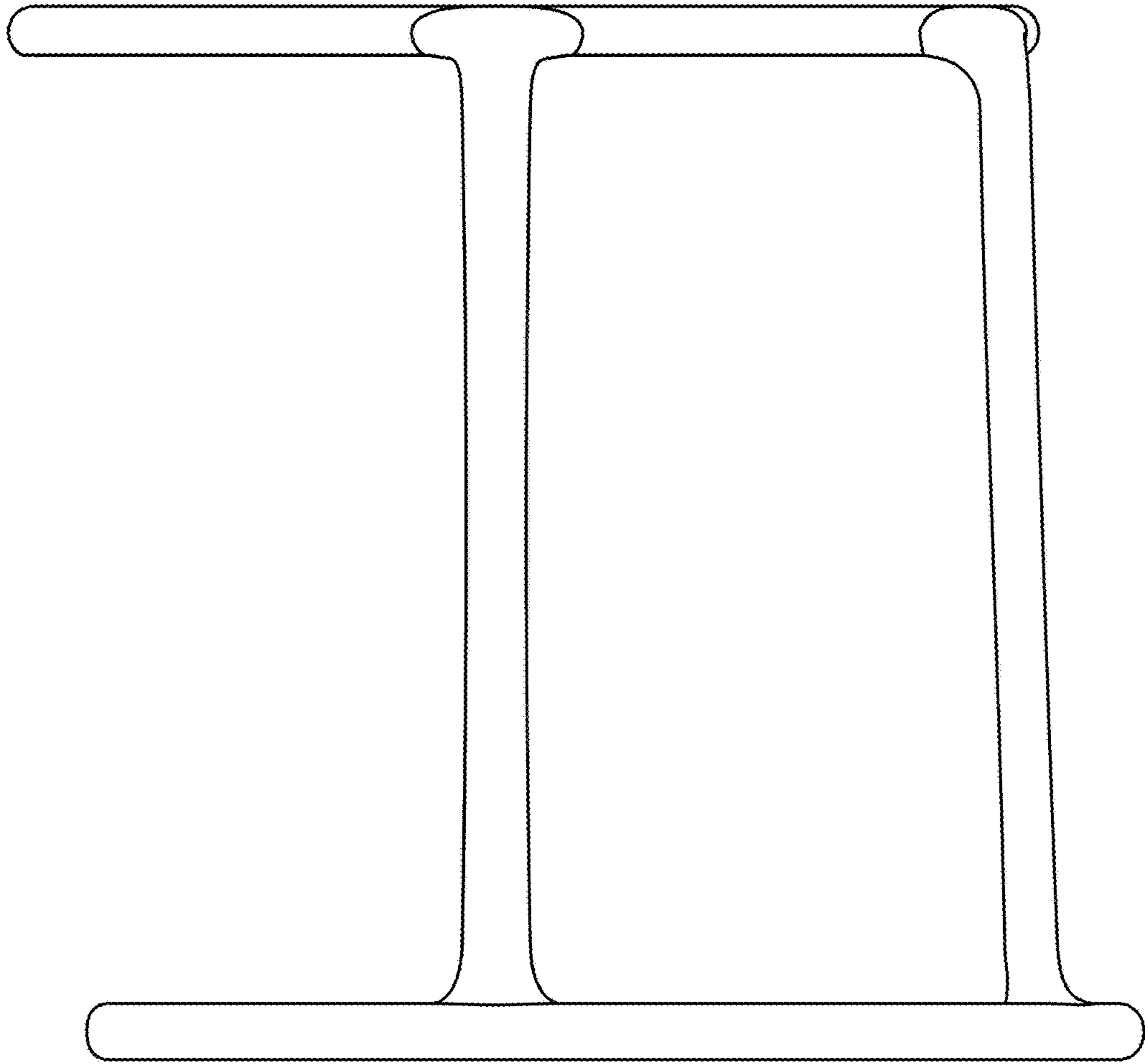


Fig. 2

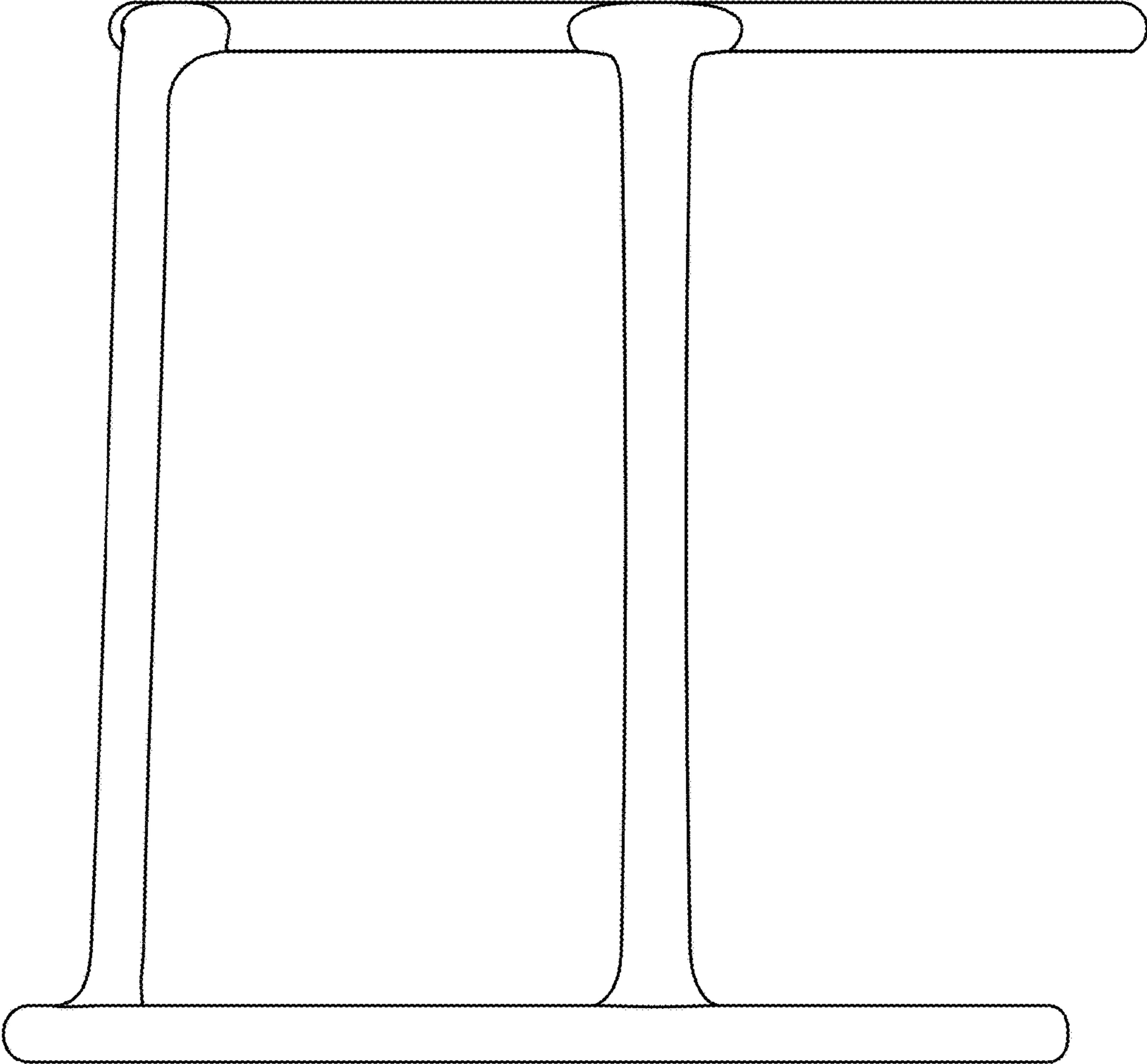


Fig. 3

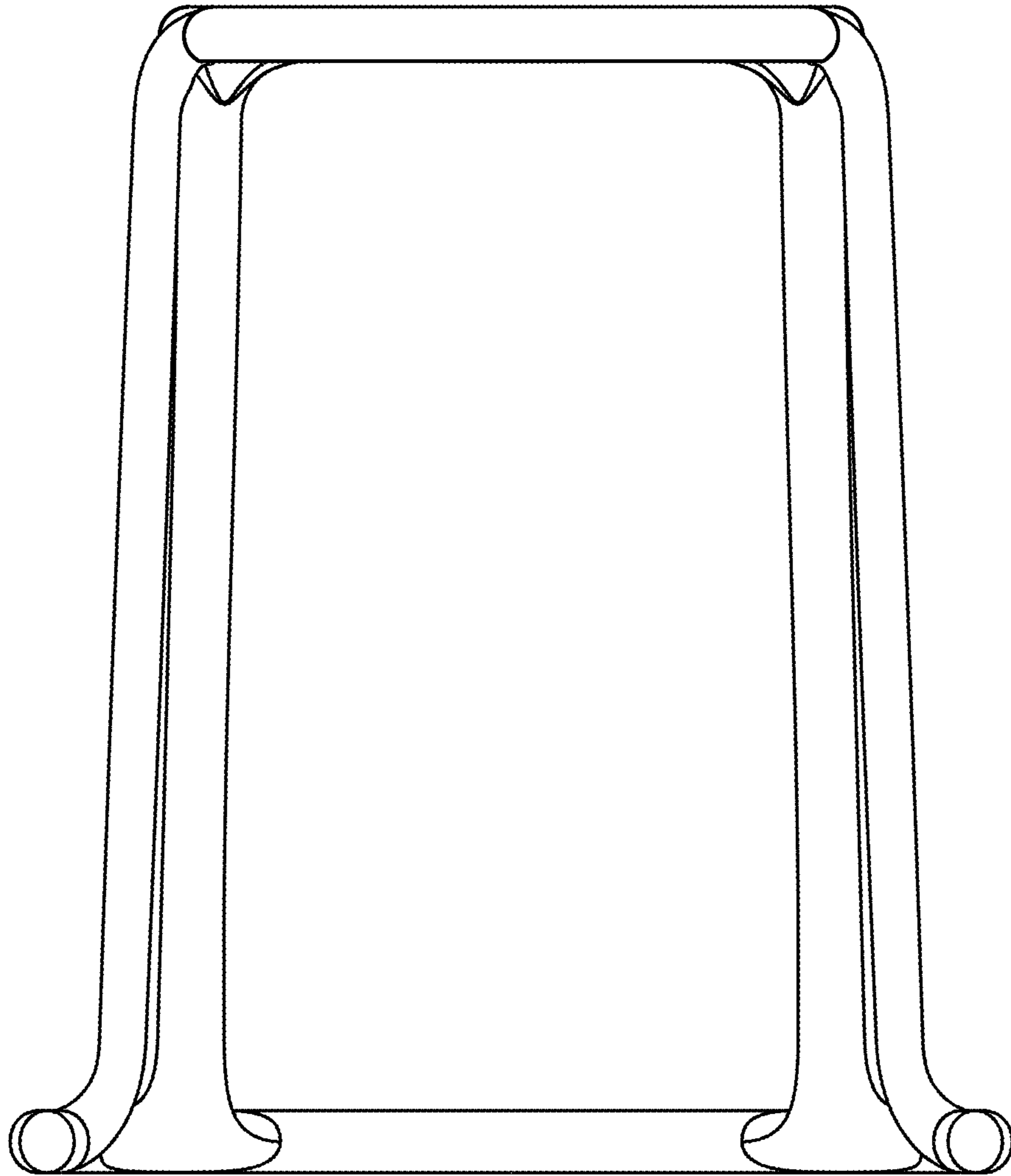


Fig. 4

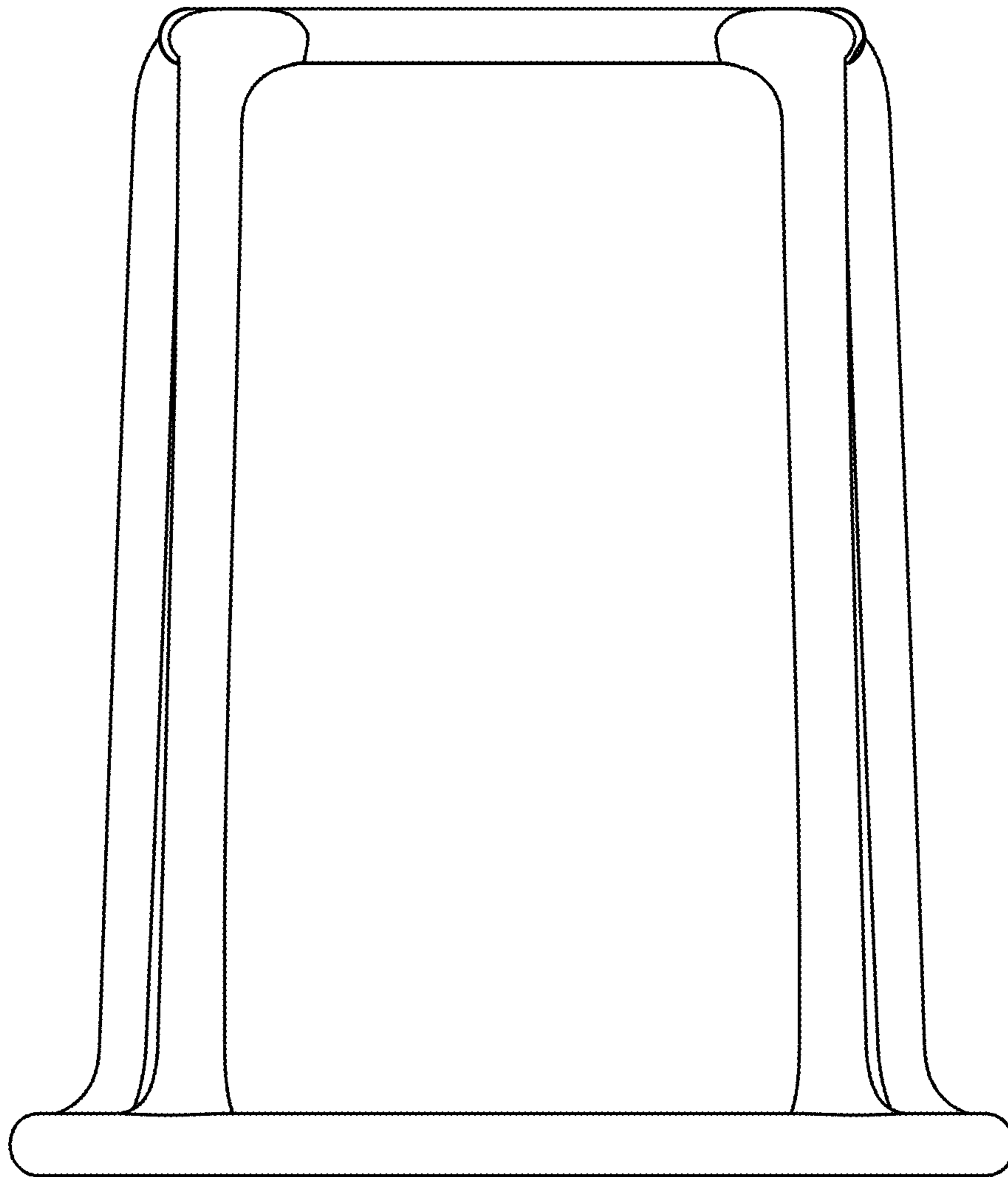


Fig. 5

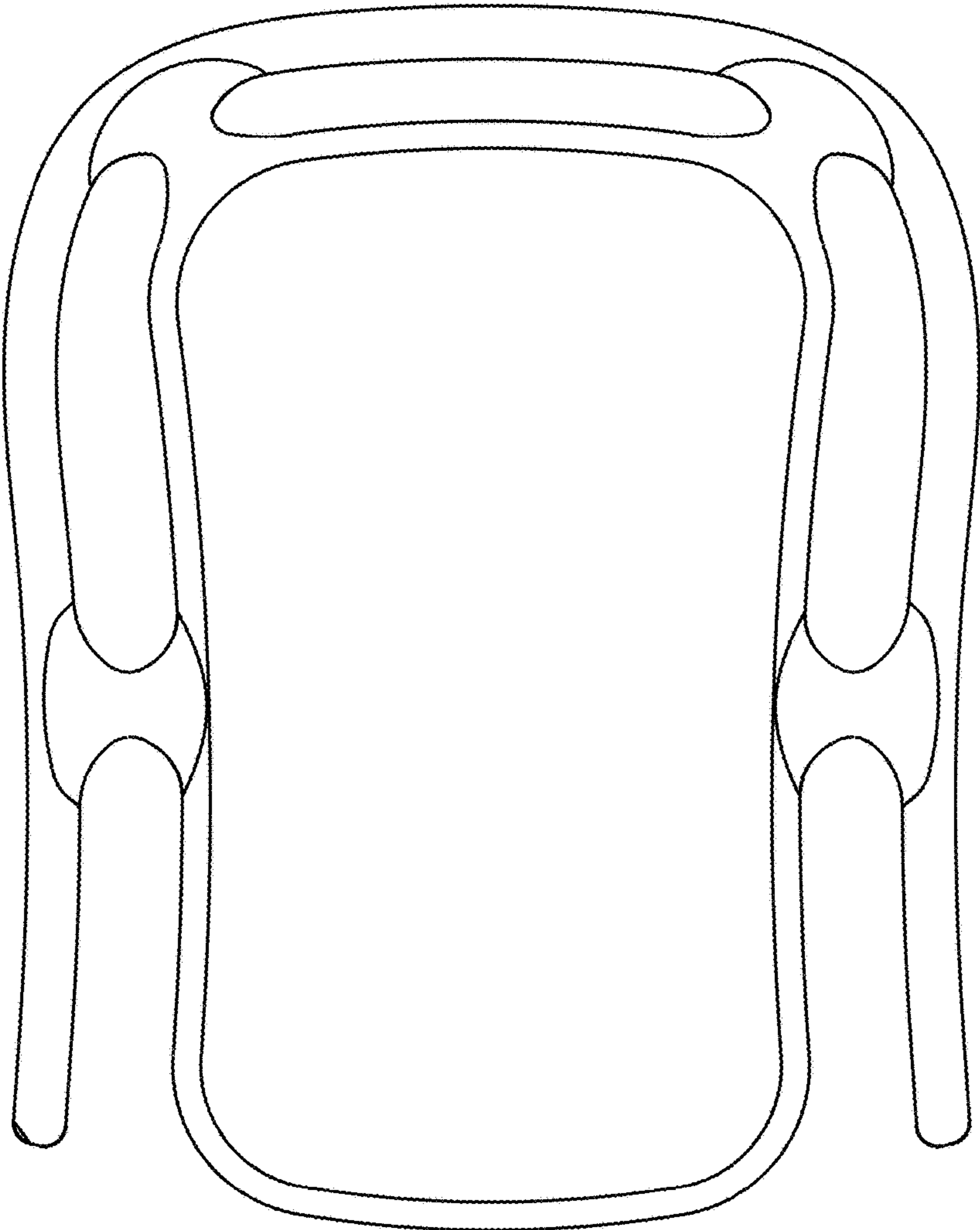


Fig. 6

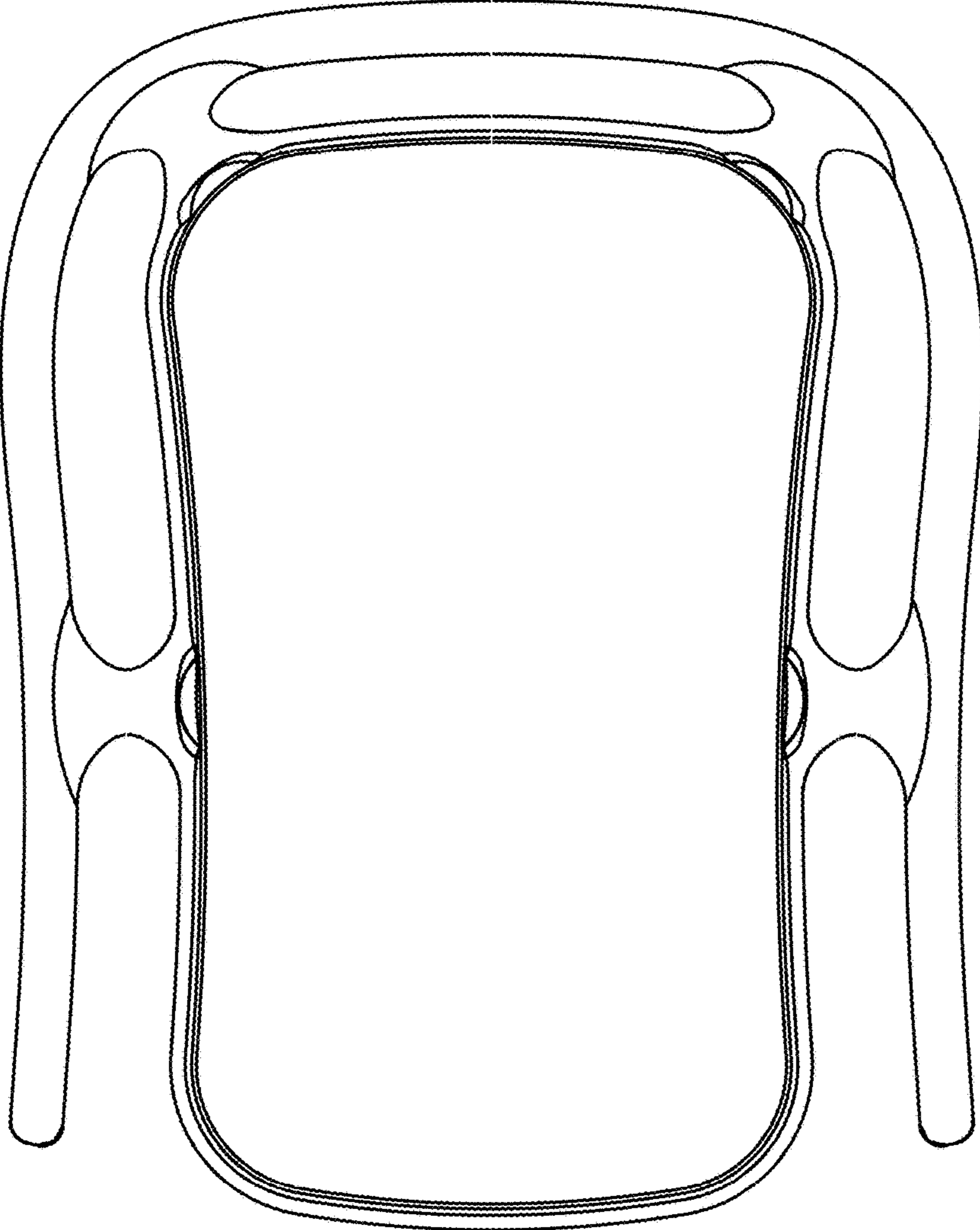


Fig. 7