

US00D832629S

(12) **United States Design Patent** (10) **Patent No.:** **US D832,629 S**
Grossinger et al. (45) **Date of Patent:** **** Nov. 6, 2018**

(54) **TABLE**

7/08; A47B 13/04; A47B 13/023; A47B 2009/006; A47B 2200/0001

(71) Applicant: **HOK Product Design, LLC**, Culver City, CA (US)

See application file for complete search history.

(72) Inventors: **Susan Grossinger**, Culver City, CA (US); **Brett Shwery**, Culver City, CA (US); **Javier Palomares**, Culver City, CA (US); **Junko Yamakawa**, Culver City, CA (US)

(56) **References Cited**

U.S. PATENT DOCUMENTS

(73) Assignee: **HOK Product Design, LLC**, Culver City, CA (US)

D200,412 S *	2/1965	Car et al.	D6/692
D218,903 S *	10/1970	Chichester et al.	D6/691.8
D225,712 S *	1/1973	McDonald et al.	D6/691
D228,106 S *	8/1973	Klotz et al.	D6/691.6
D236,786 S *	9/1975	Smith et al.	D6/691.1
D242,005 S *	10/1976	Faber et al.	D6/692
D281,747 S *	12/1985	Berry, Jr.	D6/692
D366,580 S *	1/1996	Berry, Jr.	D6/692
D376,712 S *	12/1996	Mezger	D6/656
D384,529 S *	10/1997	Muller	D6/692
D384,839 S *	10/1997	Muller	D6/692
D386,328 S *	11/1997	Good	D6/691.7

(**) Term: **15 Years**

(Continued)

(21) Appl. No.: **29/621,938**

Primary Examiner — John Windmuller

(22) Filed: **Oct. 12, 2017**

Assistant Examiner — Steven J Czyz

(74) *Attorney, Agent, or Firm* — Sughrue Mion, PLLC

Related U.S. Application Data

(62) Division of application No. 29/545,104, filed on Nov. 10, 2015, now Pat. No. Des. 815,475.

(57) **CLAIM**

The ornamental design for a table, as shown and described.

(30) **Foreign Application Priority Data**

May 11, 2015 (JP) 2015-010163
May 11, 2015 (JP) 2015-010164

DESCRIPTION

(51) **LOC (11) Cl.** **06-03**

(52) **U.S. Cl.**
USPC **D6/692**

(58) **Field of Classification Search**
USPC D6/641, 656, 656.16, 565.17, 685, 692,
D6/692.3, 692.4, 692.5, 707.2, 709.2,
D6/709.17
CPC A47B 13/00; A47B 13/02; A47B 13/06;
A47B 13/021; A47B 2200/0016; A47B

FIG. 1 is a perspective view of a table.
FIG. 2 is a front elevation view thereof. A rear elevation view is identical to the front elevation view.
FIG. 3 is a right side elevation view thereof. A left side elevation view is identical to the right side elevation view.
FIG. 4 is a top plan view thereof.
FIG. 5 is a bottom plan view thereof.
FIG. 6 is a cross-sectional view taken along the line 6-6 in FIG. 2.
FIG. 7 is a cross-sectional view taken along the line 7-7 in FIG. 2.
FIG. 8 is a cross-sectional view taken along the line 8-8 in FIG. 3; and,

(Continued)

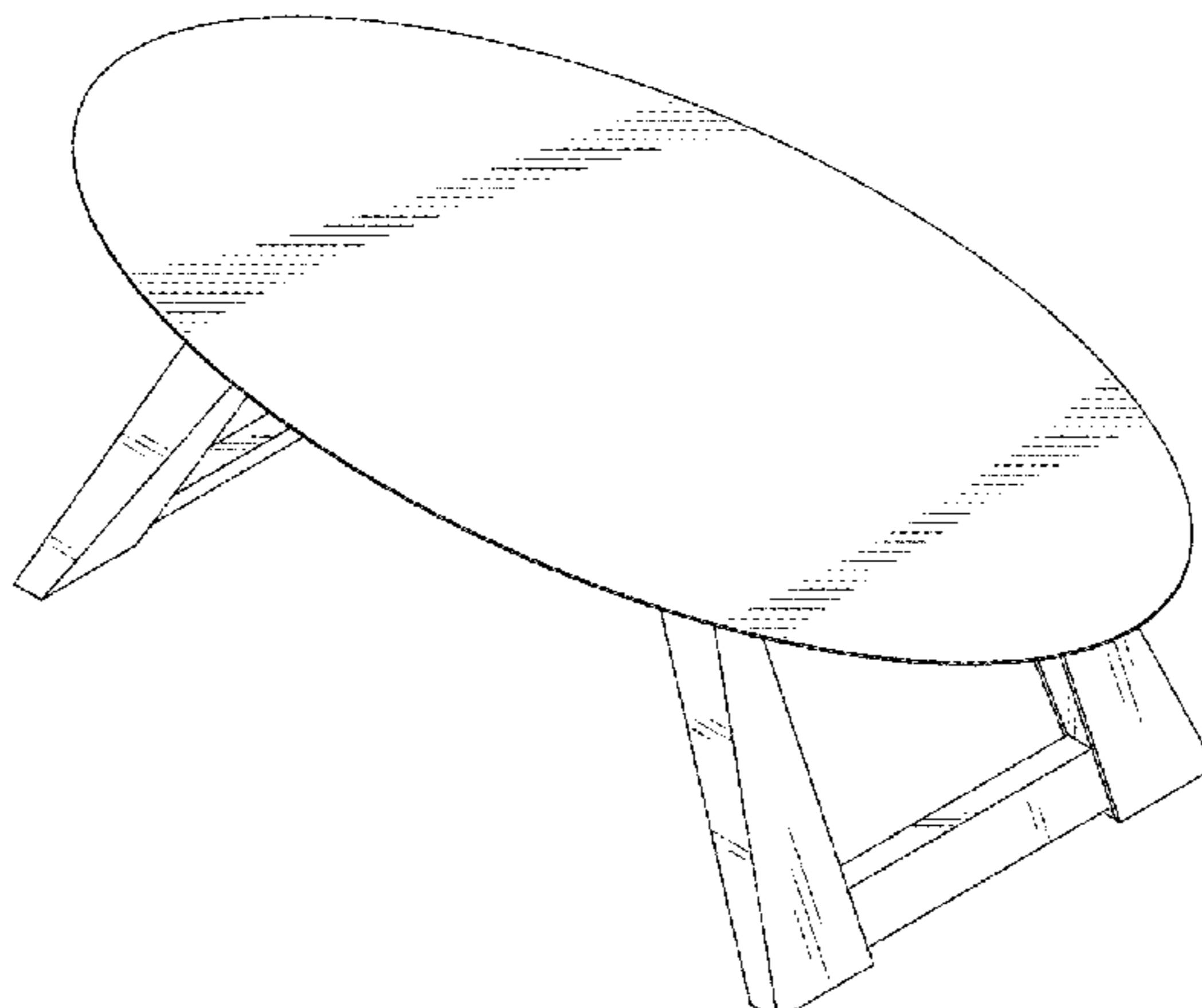


FIG. 9 is a cross-sectional view taken along the line 9-9 in FIG. 3.

1 Claim, 9 Drawing Sheets

(56)

References Cited

U.S. PATENT DOCUMENTS

D398,453	S	*	9/1998	Stead	D6/349
D403,898	S	*	1/1999	Arnegger	D6/691
D404,593	S	*	1/1999	Oltmans	D6/691
D415,371	S	*	10/1999	Lewis	D6/691
D585,669	S	*	2/2009	Gharabegian	D6/692.4
D588,380	S	*	3/2009	Bucholz	D6/691.5
D593,769	S	*	6/2009	Jeup	D6/656
D604,063	S	*	11/2009	Oshinomi	D6/656.16
D608,568	S	*	1/2010	Manz	D6/691.5
D662,335	S	*	6/2012	Schultz	D6/691.8
D668,893	S	*	10/2012	Lehman-Smith	D6/708
D685,216	S	*	7/2013	Stromborg	D6/708
D708,461	S	*	7/2014	Starck	D6/691
D727,644	S	*	4/2015	Sorel	D6/349
D730,071	S	*	5/2015	Sorel	D6/349
D734,631	S	*	7/2015	Velez	D6/349
D765,450	S	*	9/2016	Biddle	D6/691
D774,809	S	*	12/2016	Grossinger	D6/691.3
D775,880	S	*	1/2017	Grossinger	D6/692
D784,742	S	*	4/2017	Grossinger	D6/691
D784,743	S	*	4/2017	Grossinger	D6/691
D790,893	S	*	7/2017	Grossinger	D6/691
D815,475	S	*	4/2018	Grossinger	D6/692

* cited by examiner

FIG. 1

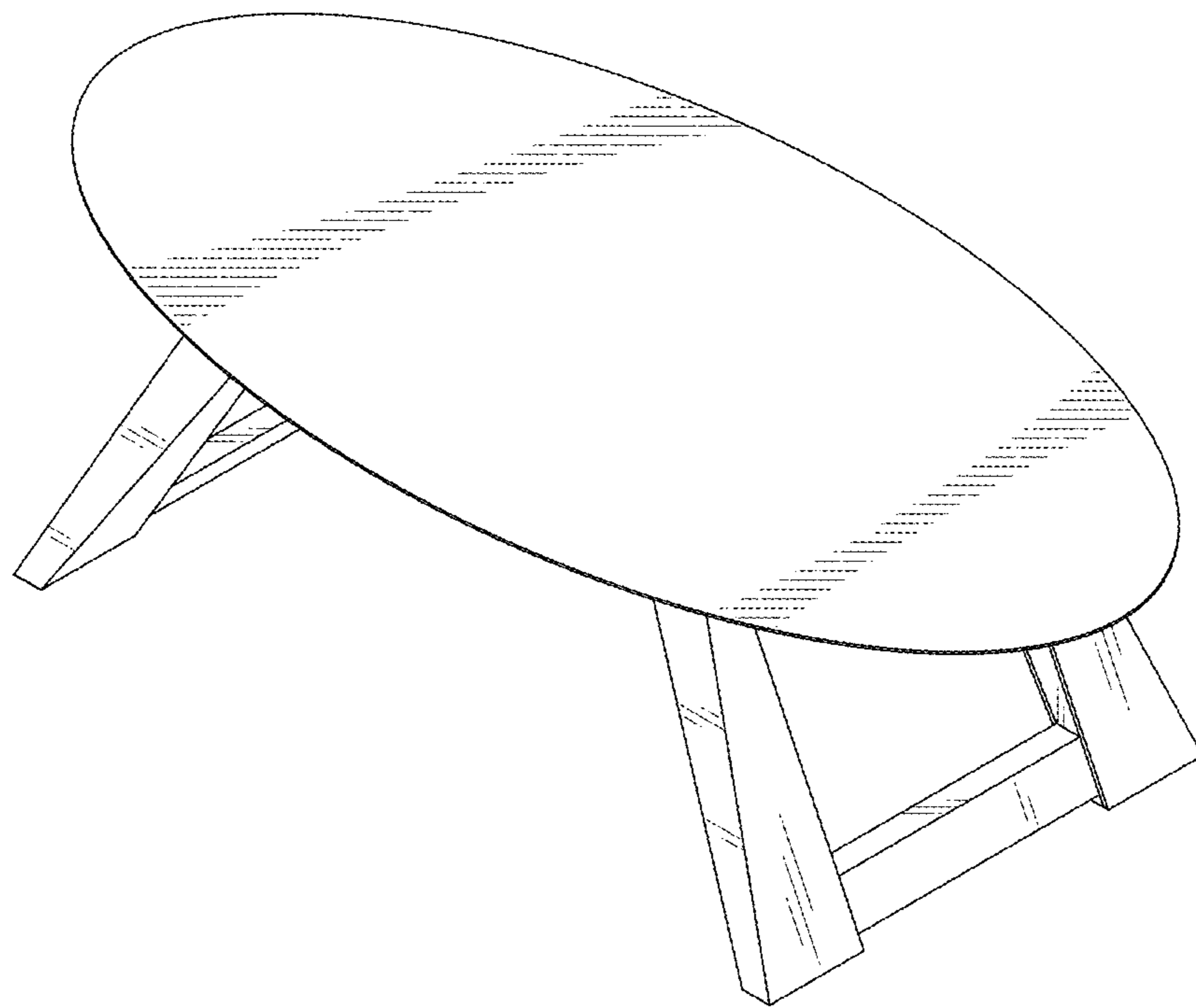


FIG. 2

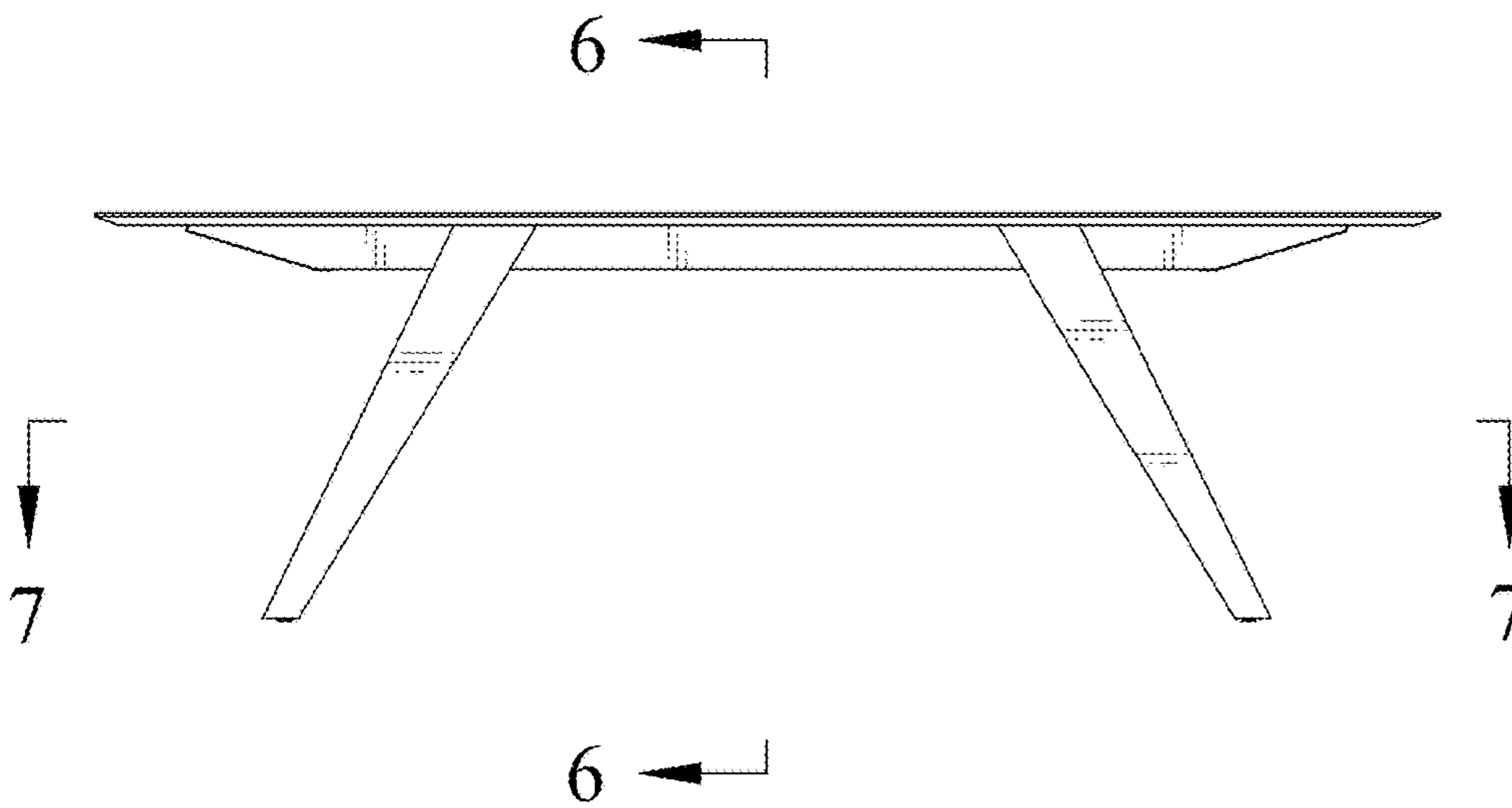


FIG. 3

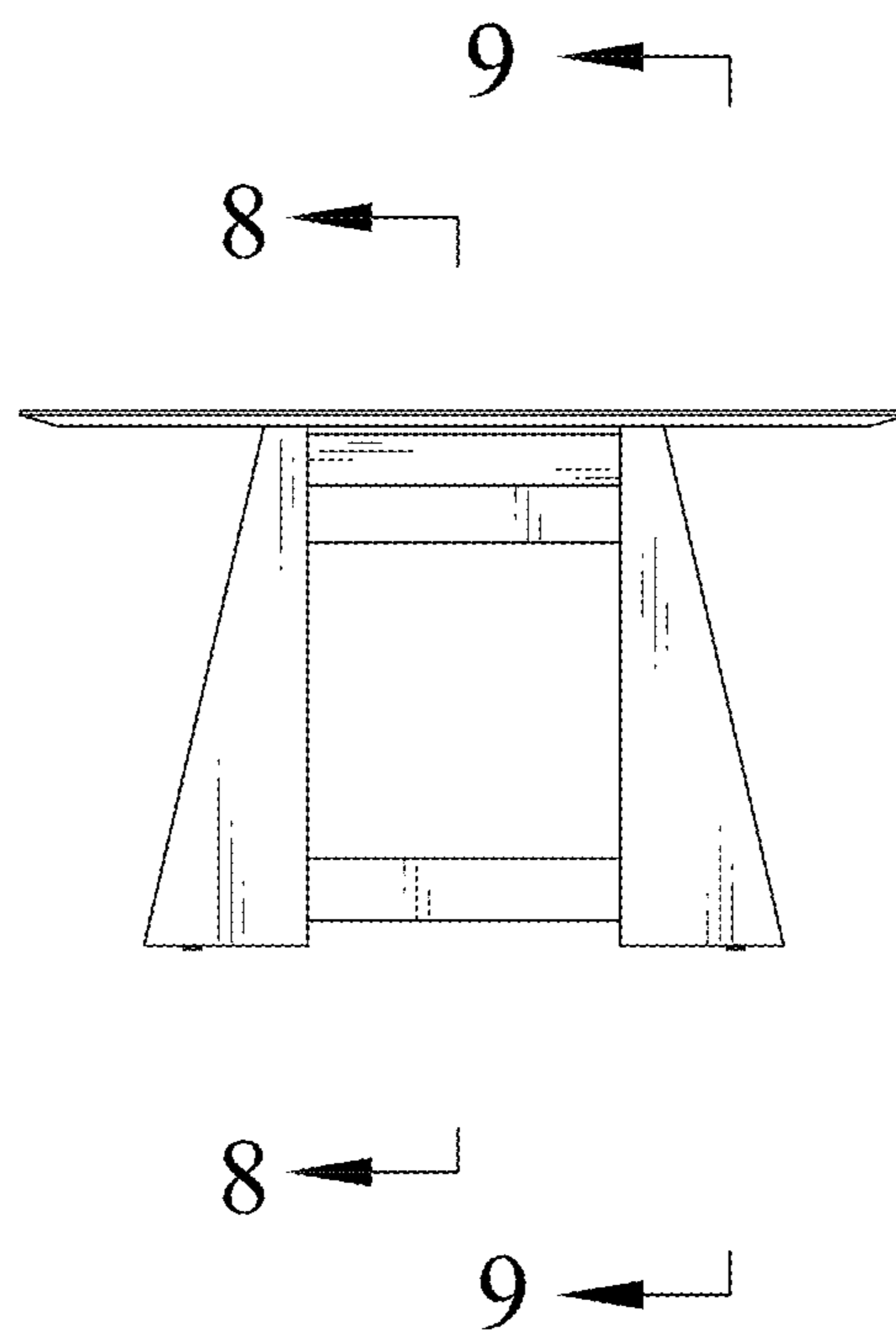


FIG. 4

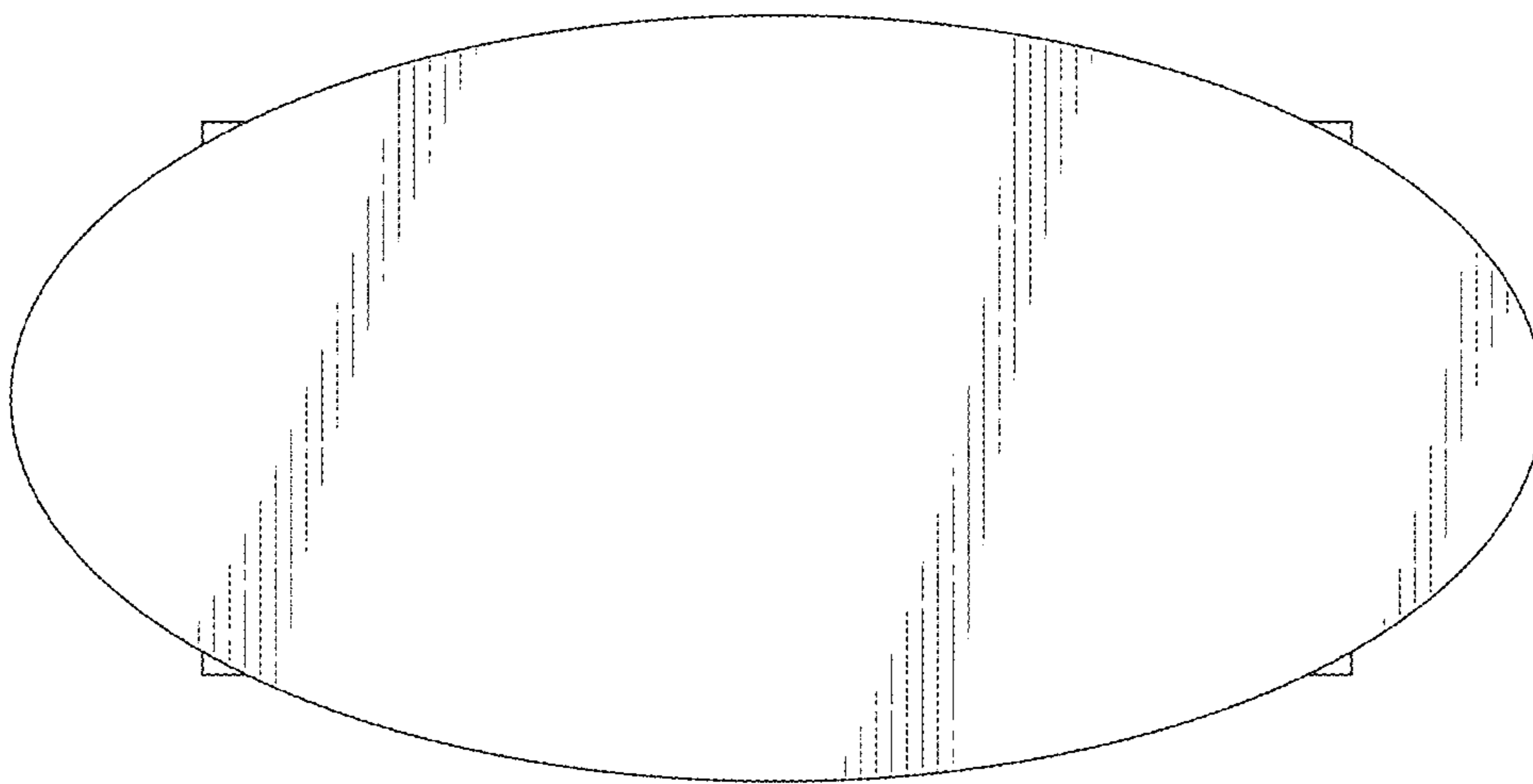


FIG. 5

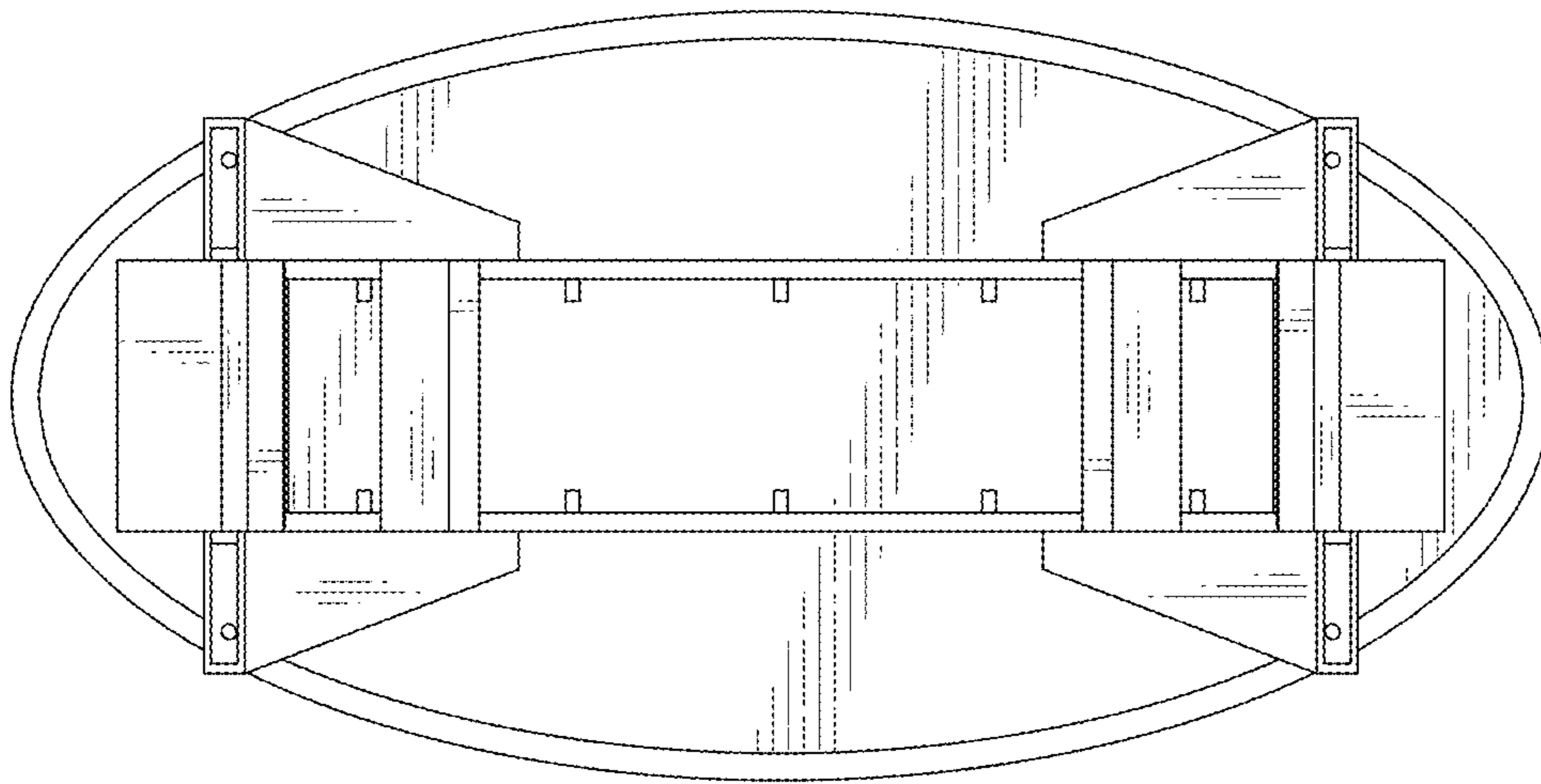


FIG. 6

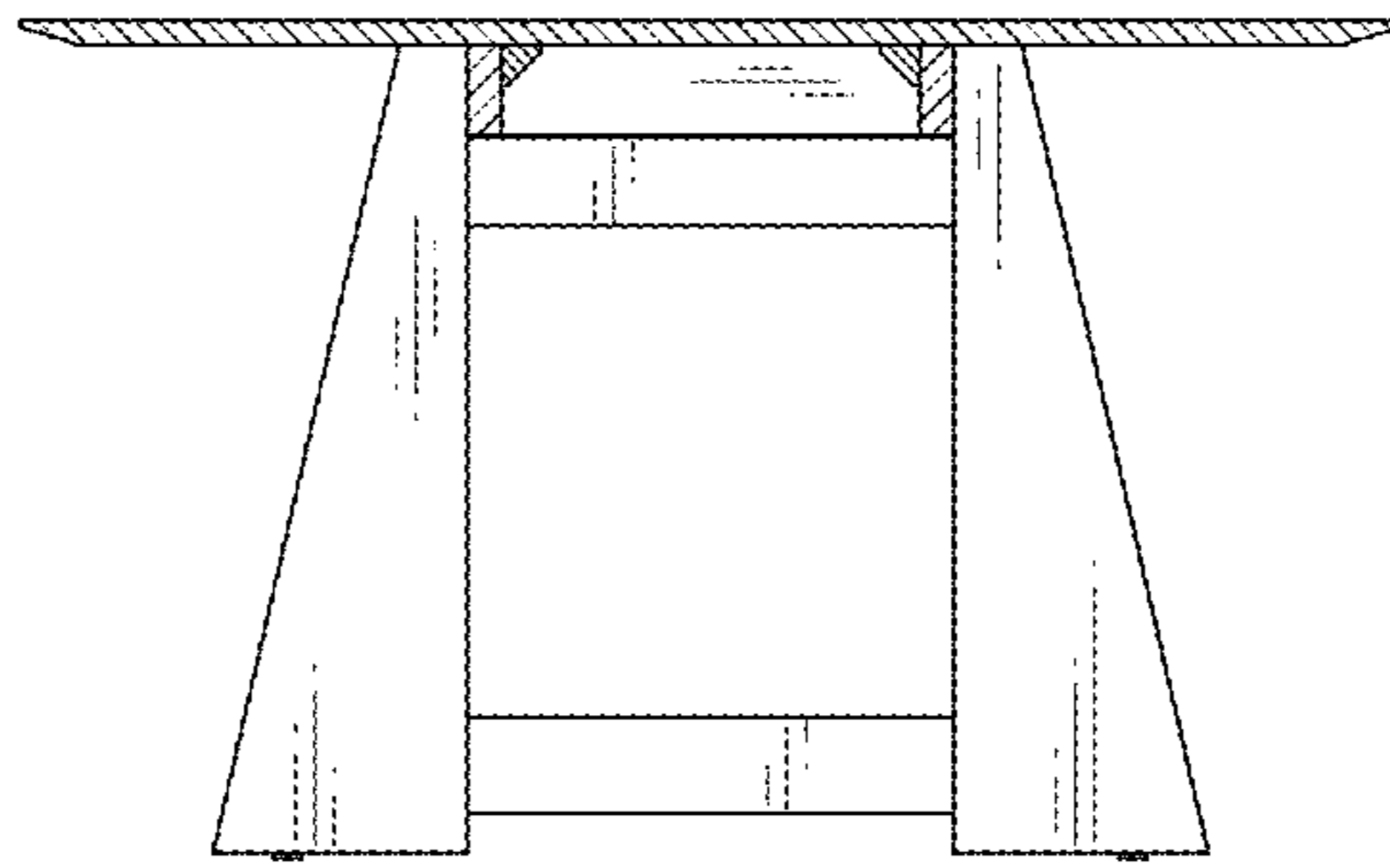


FIG. 7

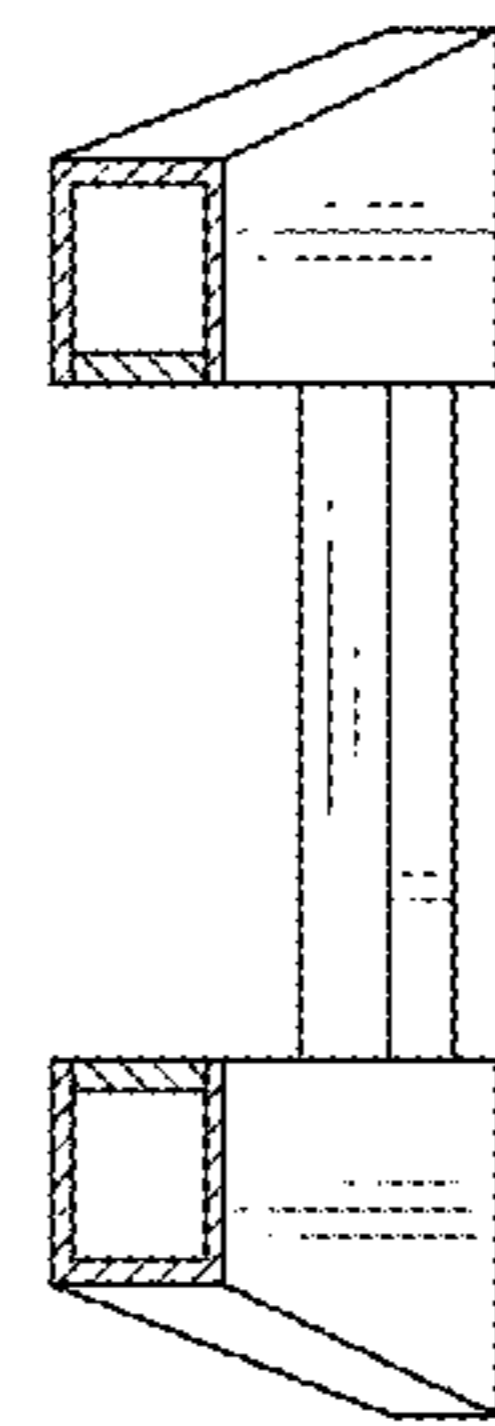
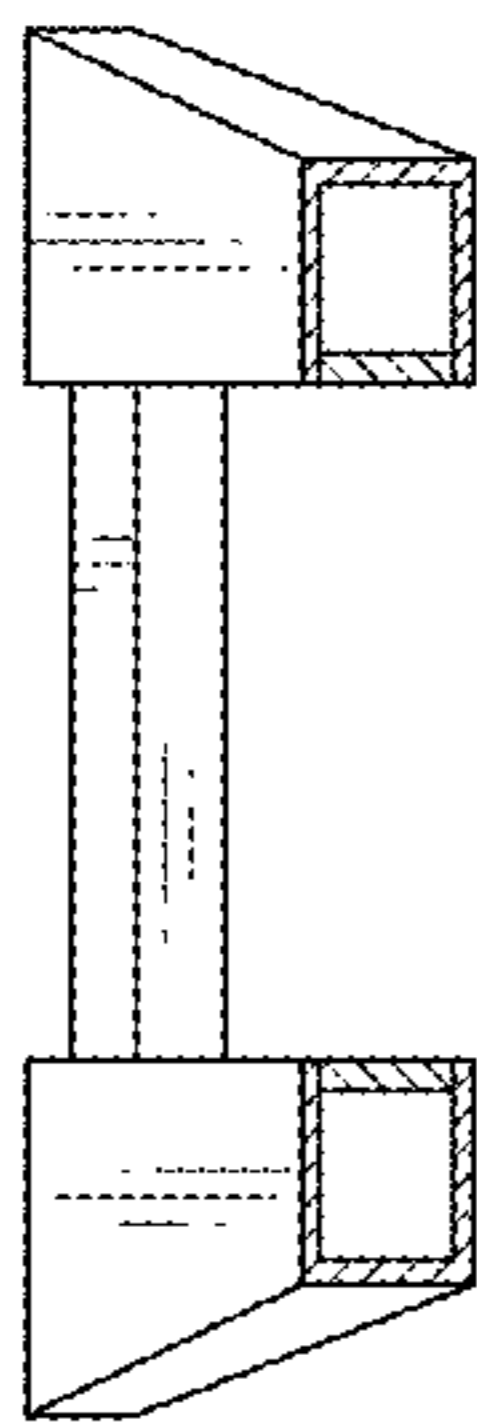


FIG. 8

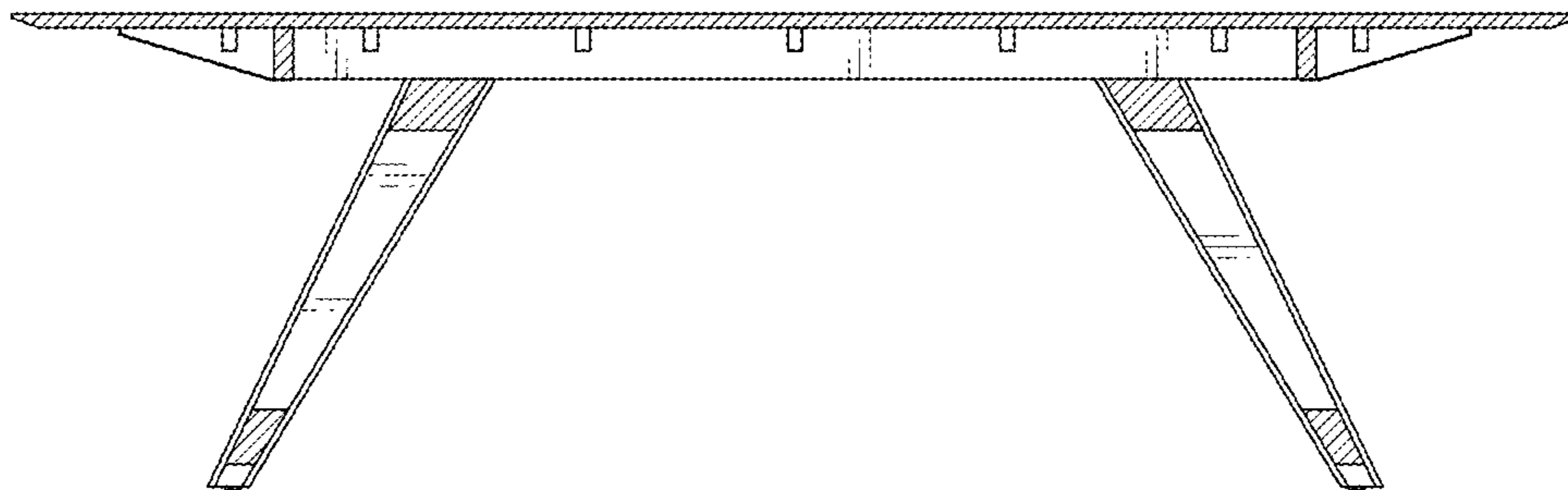


FIG. 9

