



US00D832626S

(12) **United States Design Patent** (10) **Patent No.:** **US D832,626 S**
Chiao et al. (45) **Date of Patent:** **** Nov. 6, 2018**

- (54) **GARAGE BASE CABINET**
- (71) Applicant: **Trinity International Industries, LLC**,
Carson, CA (US)
- (72) Inventors: **Jerry Chiao**, Newark, CA (US);
Cze-Chao Tam, Palos Verdes, CA
(US); **Yuan-Luen Chuang**, Ortonville,
MI (US)
- (73) Assignee: **Trinity International Industries,
L.L.C.**, Carson, CA (US)
- (**) Term: **15 Years**
- (21) Appl. No.: **29/605,809**
- (22) Filed: **May 30, 2017**
- (51) **LOC (11) Cl.** **06-04**
- (52) **U.S. Cl.**
USPC **D6/671.1**
- (58) **Field of Classification Search**
USPC D6/657, 662, 663, 669, 671, 671.1,
D6/671.2; D12/402; D14/308
CPC A47B 43/00; A47B 47/02; A47B 47/03;
A47B 47/04; A47B 47/05
See application file for complete search history.

- D458,048 S 6/2002 Camfferman et al.
- D478,433 S 8/2003 Woods
- D479,411 S 9/2003 Nielsen
- D496,540 S * 9/2004 Moon D6/671.1
- D496,805 S * 10/2004 Anderson D6/671
- D512,864 S 12/2005 Moon et al.
- D520,264 S * 5/2006 Mehmen D6/668.1
- D559,588 S * 1/2008 Mehmen D6/671.1
- D576,421 S 9/2008 Grabowski et al.
- D591,979 S 5/2009 Singler et al.
- D601,137 S * 9/2009 Koh D14/308
- D602,282 S 10/2009 Lulloff et al.
- D670,510 S * 11/2012 Daino D6/668.2
- D679,115 S 4/2013 Chavez
- D679,116 S 4/2013 Evangelidis
- D686,437 S 7/2013 Johnson et al.
- D711,165 S * 8/2014 Phillips D6/671

(Continued)

Primary Examiner — Kevin K Rudzinski
Assistant Examiner — Paul D Bohannon
(74) *Attorney, Agent, or Firm* — Innovation Capital Law
Group, LLP; Vic Lin

(57) **CLAIM**

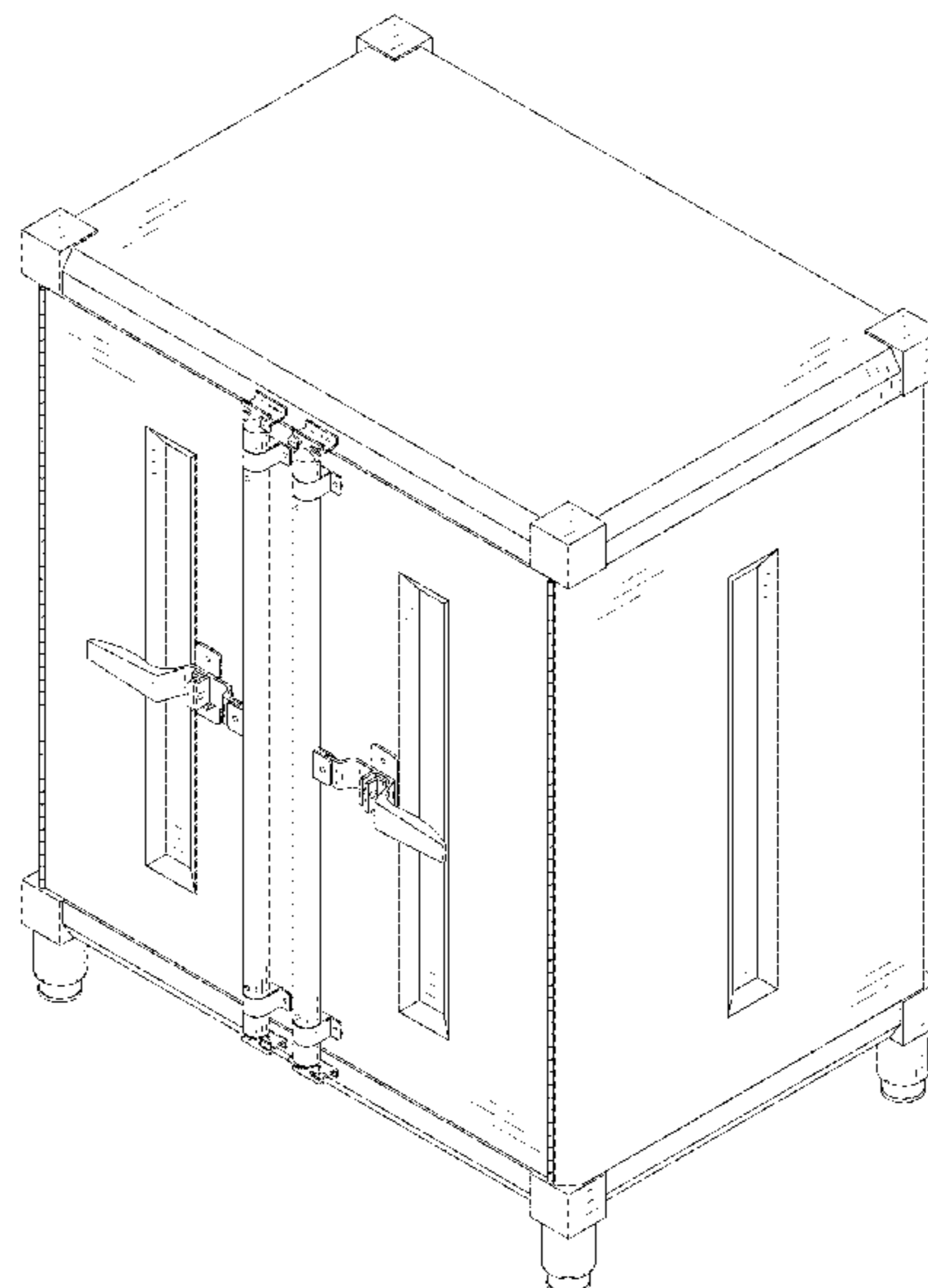
The ornamental design for a garage base cabinet, as shown
and described.

DESCRIPTION

FIG. 1 is a front perspective view of a garage base cabinet;
FIG. 2 is a rear perspective view thereof;
FIG. 3 is a front elevation view thereof;
FIG. 4 is a rear elevation view thereof;
FIG. 5 is a right elevation view thereof;
FIG. 6 is a left elevation view thereof;
FIG. 7 is a top plan view thereof; and,
FIG. 8 is a bottom plan view thereof.
The broken lines shown in the drawings are included for the
purpose of illustrating portions of the article that form no
part of the claimed design.

- (56) **References Cited**
U.S. PATENT DOCUMENTS
- D144,029 S 3/1946 Broadbent
- 3,879,096 A 4/1975 Blodee
- 3,926,486 A 12/1975 Sasnett
- 3,971,605 A 7/1976 Sasnett
- 4,078,342 A 3/1978 Cohen
- 5,368,380 A 11/1994 Mottmiller et al.
- D364,064 S 11/1995 Lorenz
- 5,586,816 A 12/1996 Geiss, II
- D384,846 S 10/1997 Zaidman et al.
- 5,800,029 A 9/1998 Robertson et al.
- D457,754 S * 5/2002 Fiscus D6/671.1

1 Claim, 8 Drawing Sheets



(56)

References Cited

U.S. PATENT DOCUMENTS

D711,166 S * 8/2014 Anderson D6/671
D711,169 S * 8/2014 Anderson D6/671.1
D734,072 S * 7/2015 Zhao D6/671.1
D737,603 S * 9/2015 Shah D6/671.1
D760,518 S * 7/2016 Shah D6/703
D763,604 S * 8/2016 Weatherly D6/671.1
D801,728 S 11/2017 Reyes et al.
D807,085 S 1/2018 Vandenharn et al.
2005/0057128 A1 3/2005 Anderson et al.
2017/0361472 A1 12/2017 Padova et al.

* cited by examiner

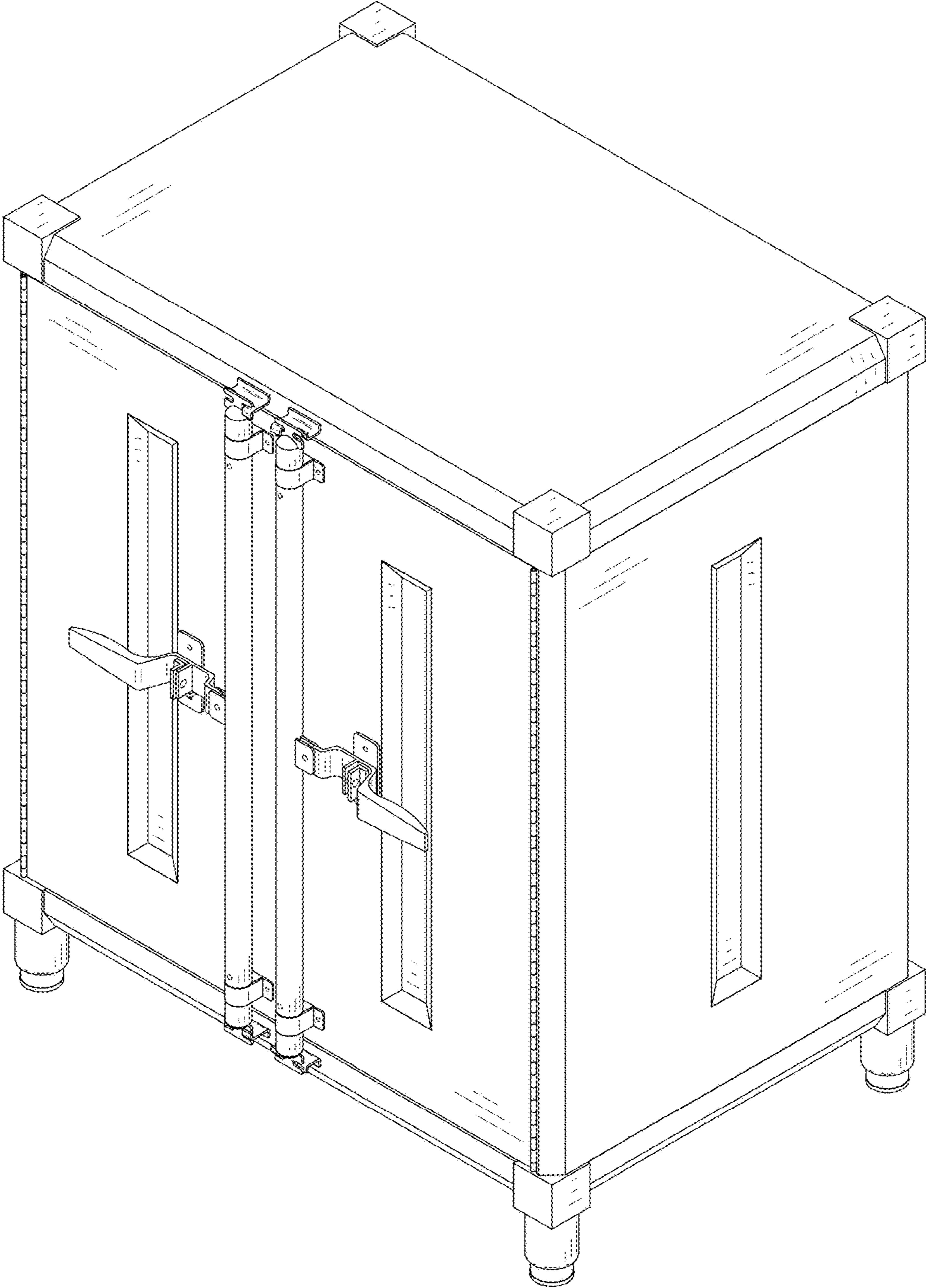


FIG. 1

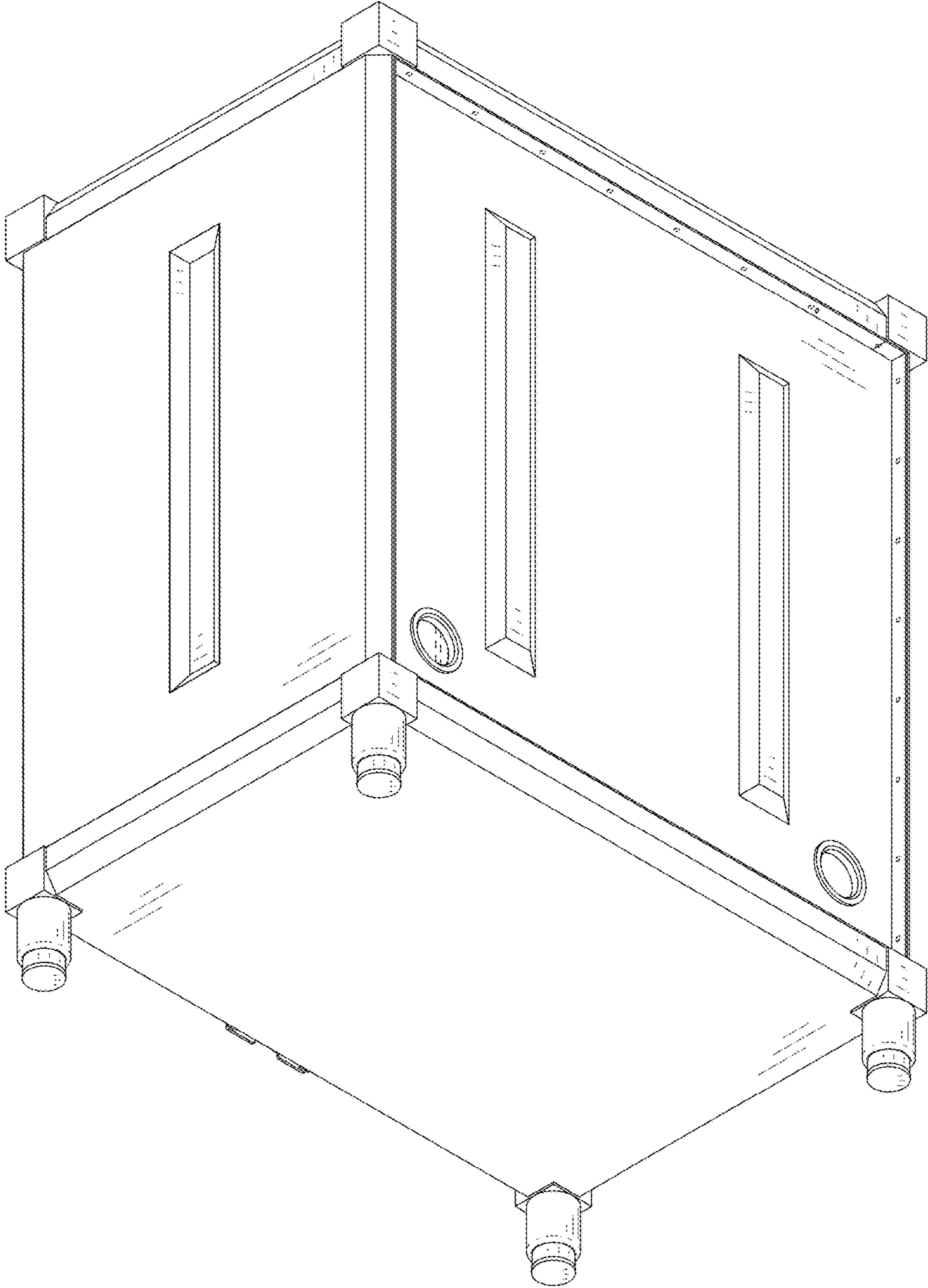


FIG. 2

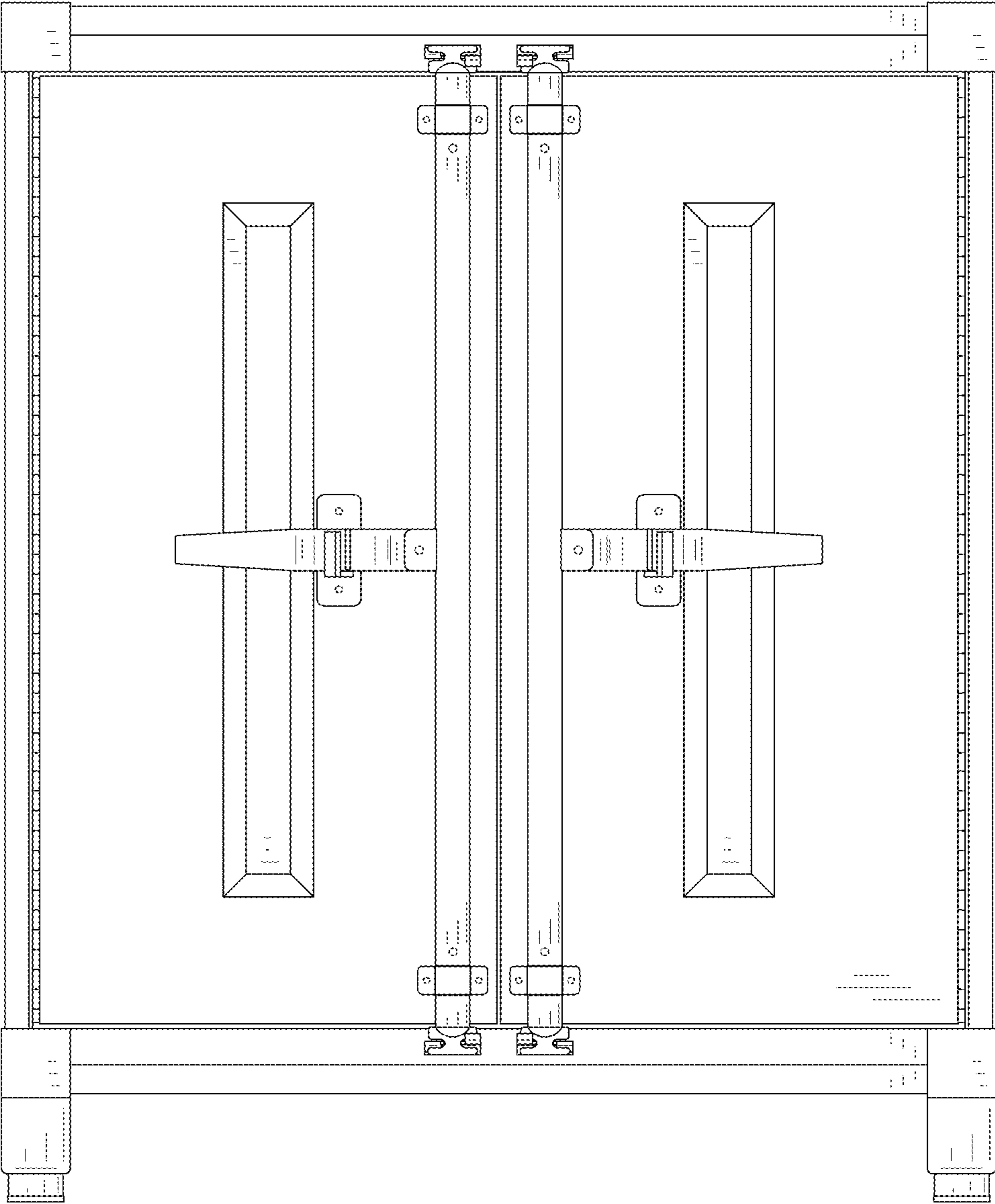


FIG. 3

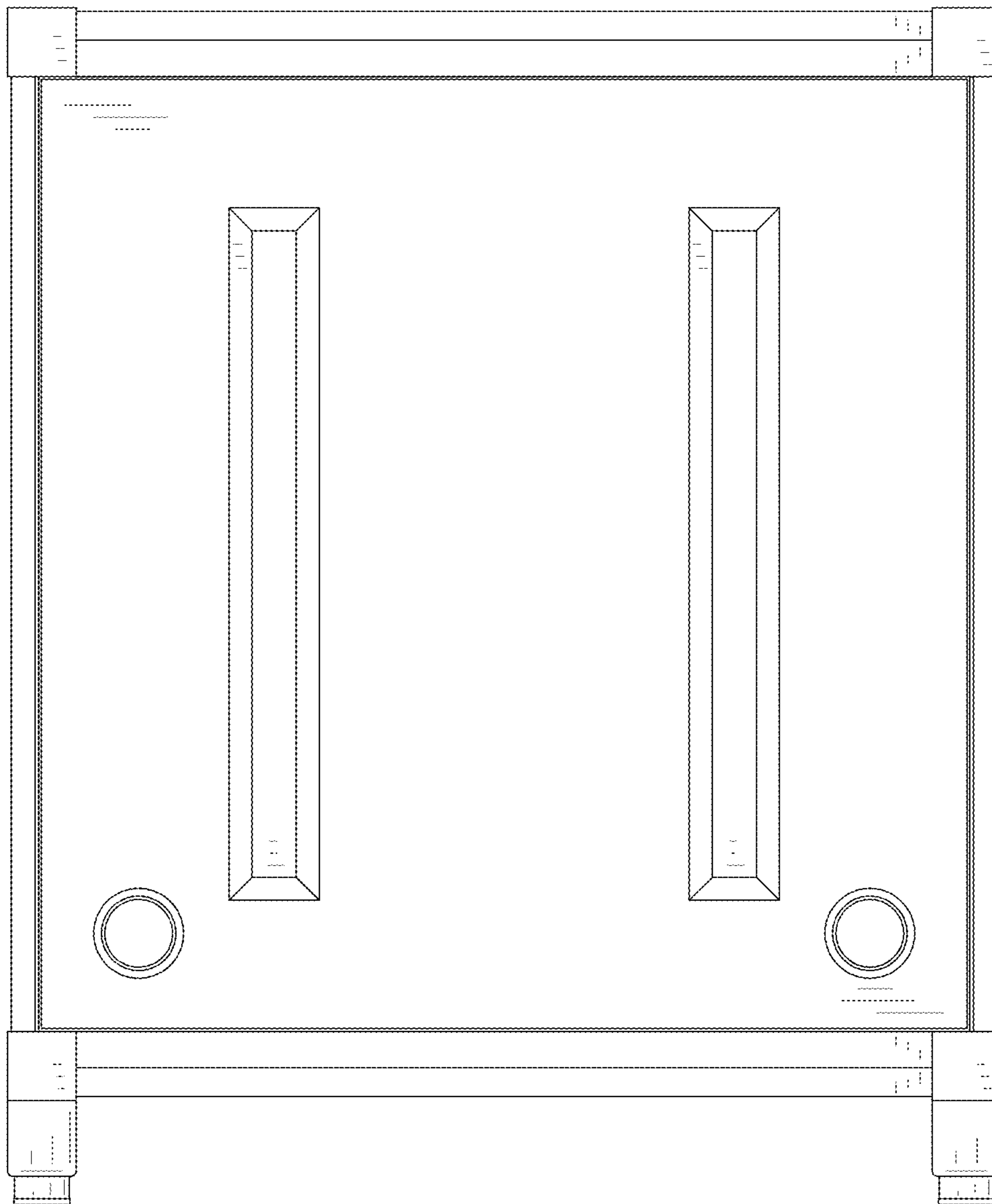


FIG. 4

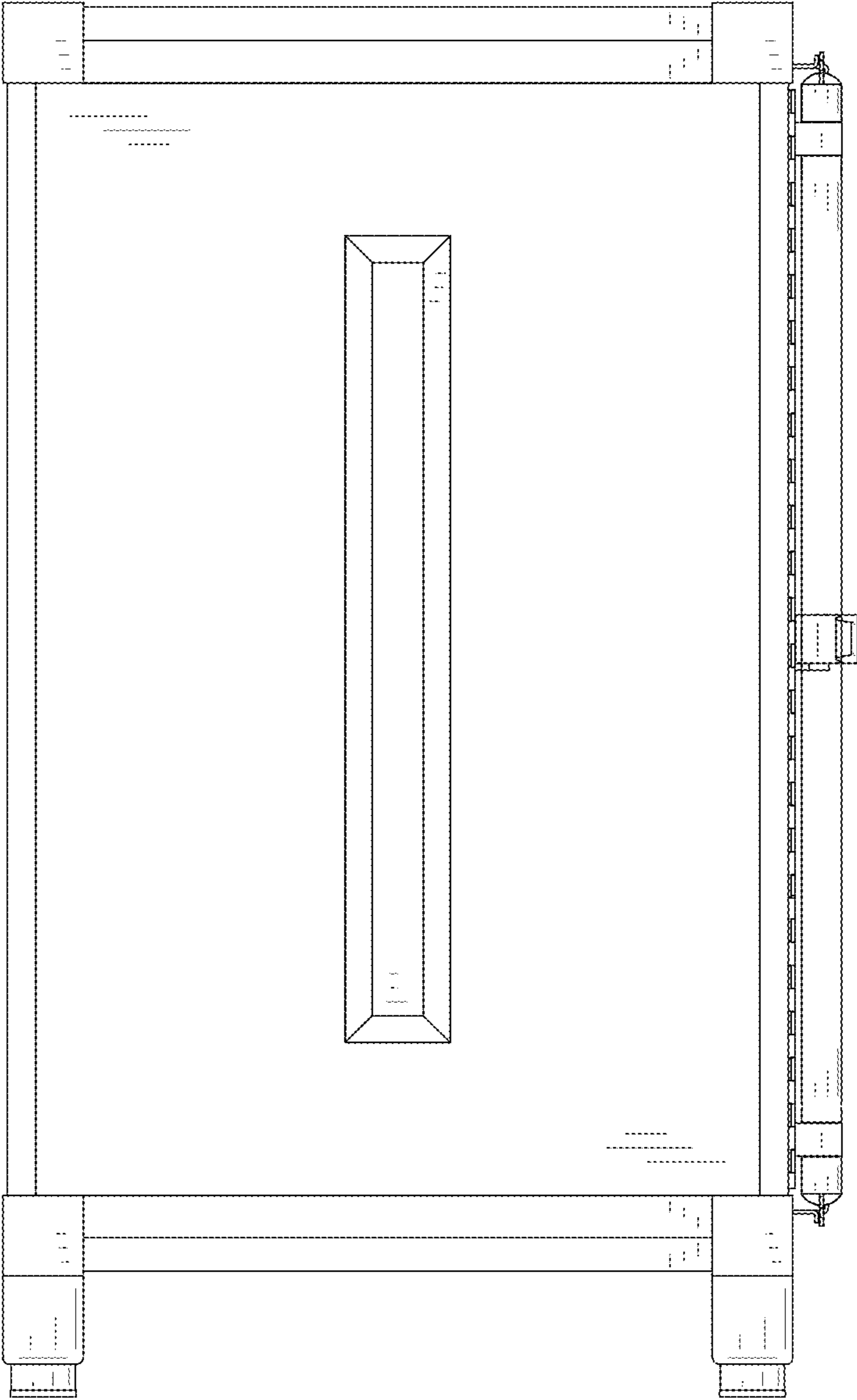


FIG. 5

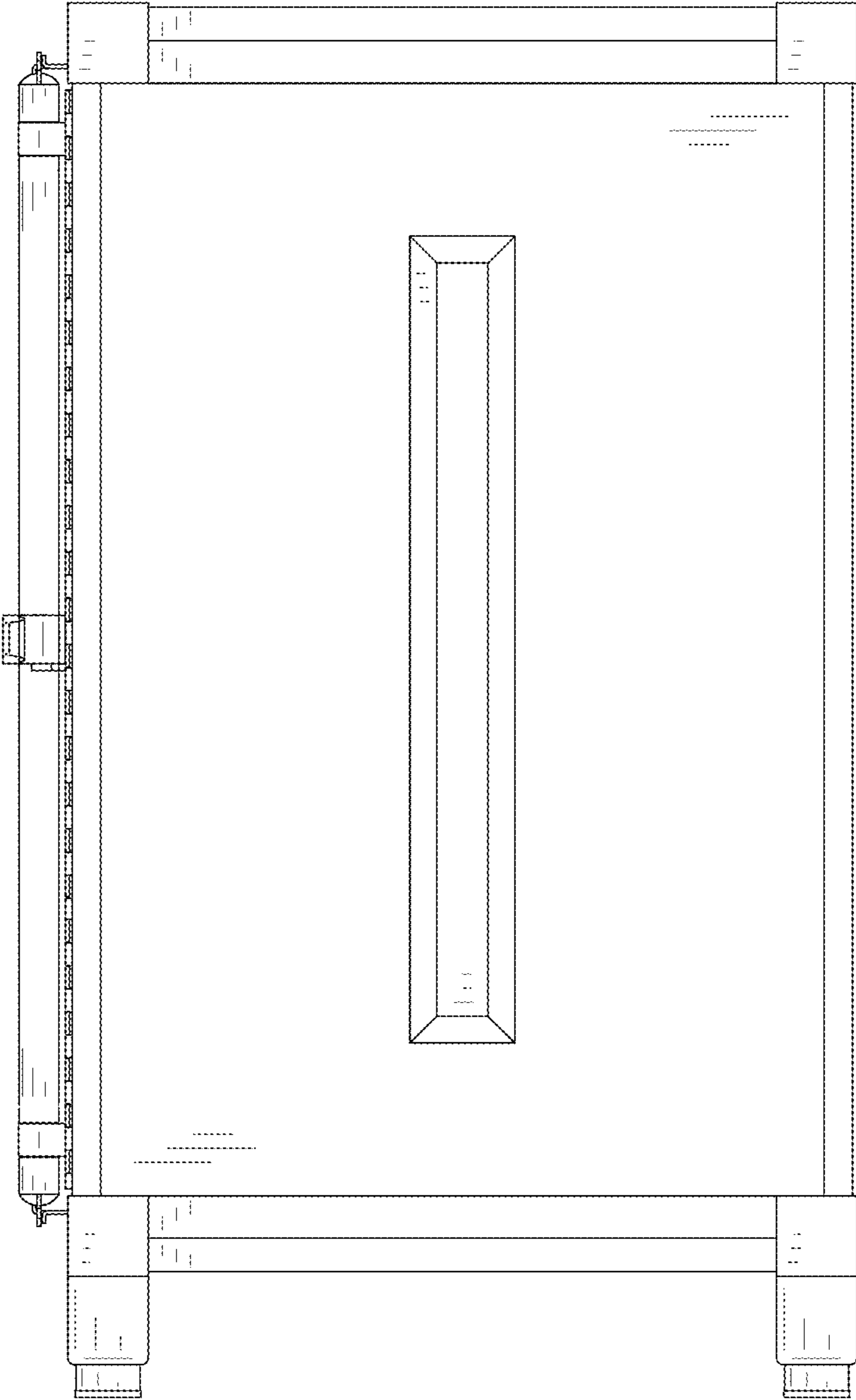


FIG. 6

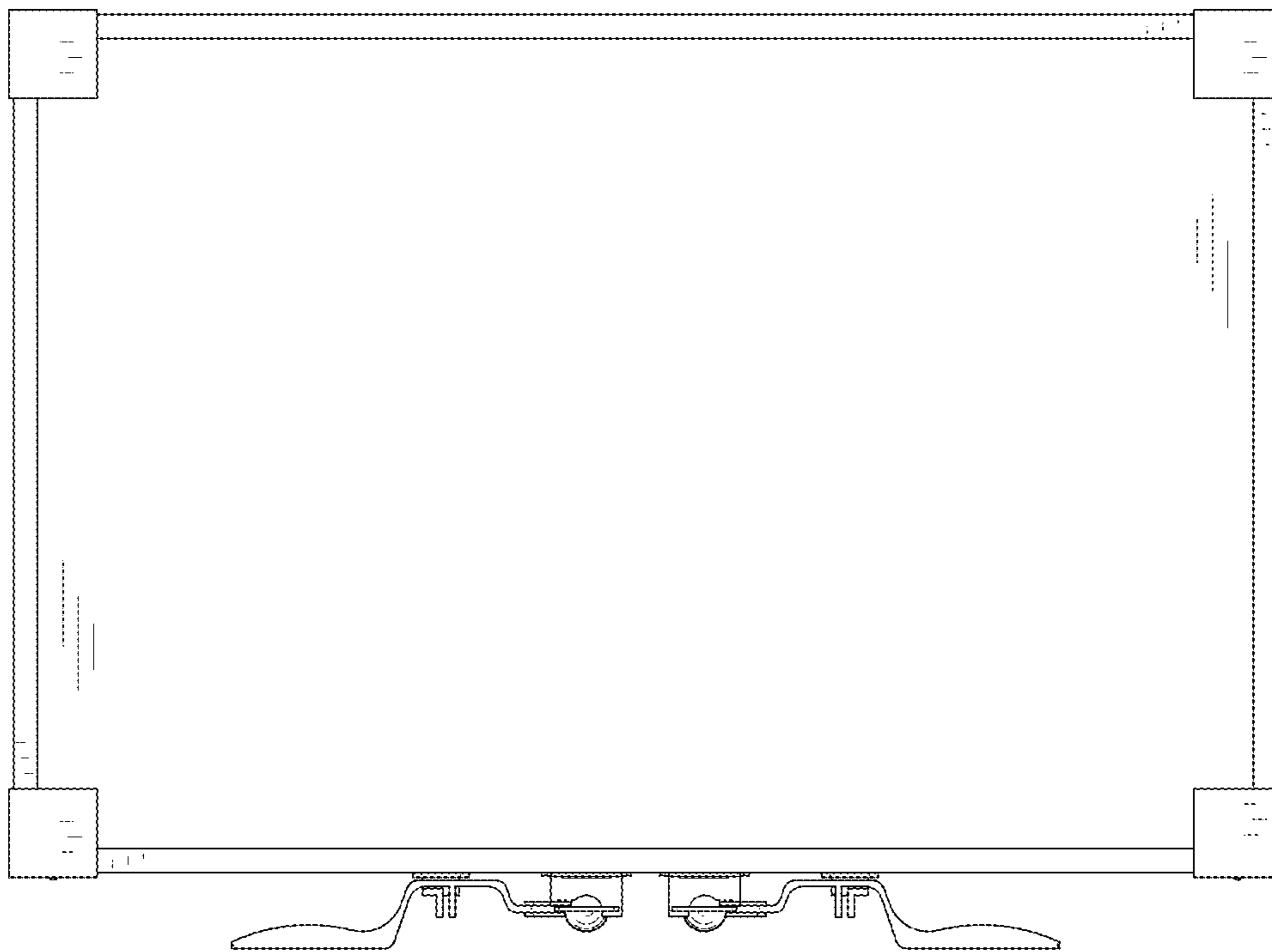


FIG. 7

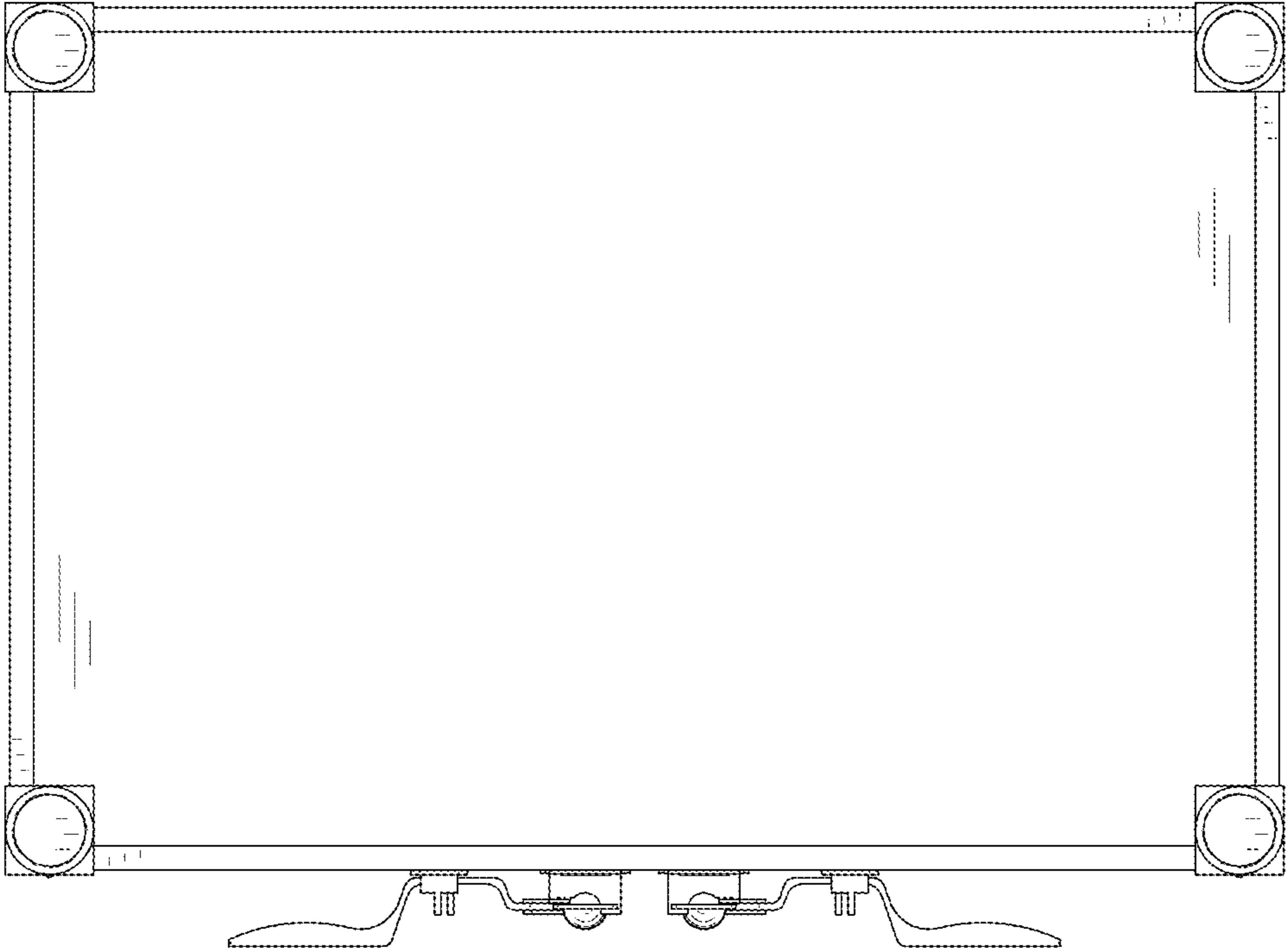


FIG. 8