



US00D832625S

(12) **United States Design Patent** (10) **Patent No.:** **US D832,625 S**  
**Chiao et al.** (45) **Date of Patent:** **\*\* Nov. 6, 2018**

- (54) **GARAGE BASE CABINET**
- (71) Applicant: **Trinity International Industries, LLC**,  
Carson, CA (US)
- (72) Inventors: **Jerry Chiao**, Newark, CA (US);  
**Cze-Chao Tam**, Palos Verdes, CA  
(US); **Yuan-Luen Chuang**, Ortonville,  
MI (US)
- (73) Assignee: **Trinity International Industries,  
L.L.C.**, Carson, CA (US)
- (\*\*) Term: **15 Years**
- (21) Appl. No.: **29/605,805**
- (22) Filed: **May 30, 2017**
- (51) **LOC (11) Cl.** ..... **06-04**
- (52) **U.S. Cl.**  
USPC ..... **D6/671**
- (58) **Field of Classification Search**  
USPC ..... D6/657, 662, 663, 669, 671, 671.1,  
D6/671.2; D12/402; D14/308  
CPC ..... A47B 43/00; A47B 47/02; A47B 47/03;  
A47B 47/04; A47B 47/05; A47B 67/04;  
A47B 87/0276  
See application file for complete search history.

- 5,368,380 A 11/1994 Mottmiller et al.  
D353,955 S \* 1/1995 Stewart ..... D6/671.1  
D364,064 S 11/1995 Lorenz  
5,586,816 A 12/1996 Geiss, II  
D384,846 S 10/1997 Zaidman et al.  
5,800,029 A 9/1998 Robertson et al.  
D458,048 S 6/2002 Camfferman et al.  
D461,067 S \* 8/2002 Frank ..... D6/671.1  
D470,687 S \* 2/2003 Binse ..... D6/657  
D476,505 S \* 7/2003 Lenger ..... D6/671.1  
D478,433 S 8/2003 Woods  
D479,411 S 9/2003 Nielsen  
D496,805 S \* 10/2004 Anderson ..... D6/671  
D512,864 S 12/2005 Moon et al.  
D514,846 S \* 2/2006 McDiarmid ..... D6/671.1  
D520,531 S \* 5/2006 Aldous ..... D15/85  
D524,506 S \* 7/2006 Hay ..... D34/20  
D576,421 S 9/2008 Grabowski et al.  
D591,979 S 5/2009 Singler et al.  
D602,282 S 10/2009 Lulloff et al.  
D638,234 S \* 5/2011 Kirkeby ..... D6/671

(Continued)

*Primary Examiner* — Kevin K Rudzinski  
*Assistant Examiner* — Paul D Bohannon  
 (74) *Attorney, Agent, or Firm* — Innovation Capital Law  
 Group, LLP; Vic Lin

(57) **CLAIM**

The ornamental design for a garage base cabinet, as shown and described.

**DESCRIPTION**

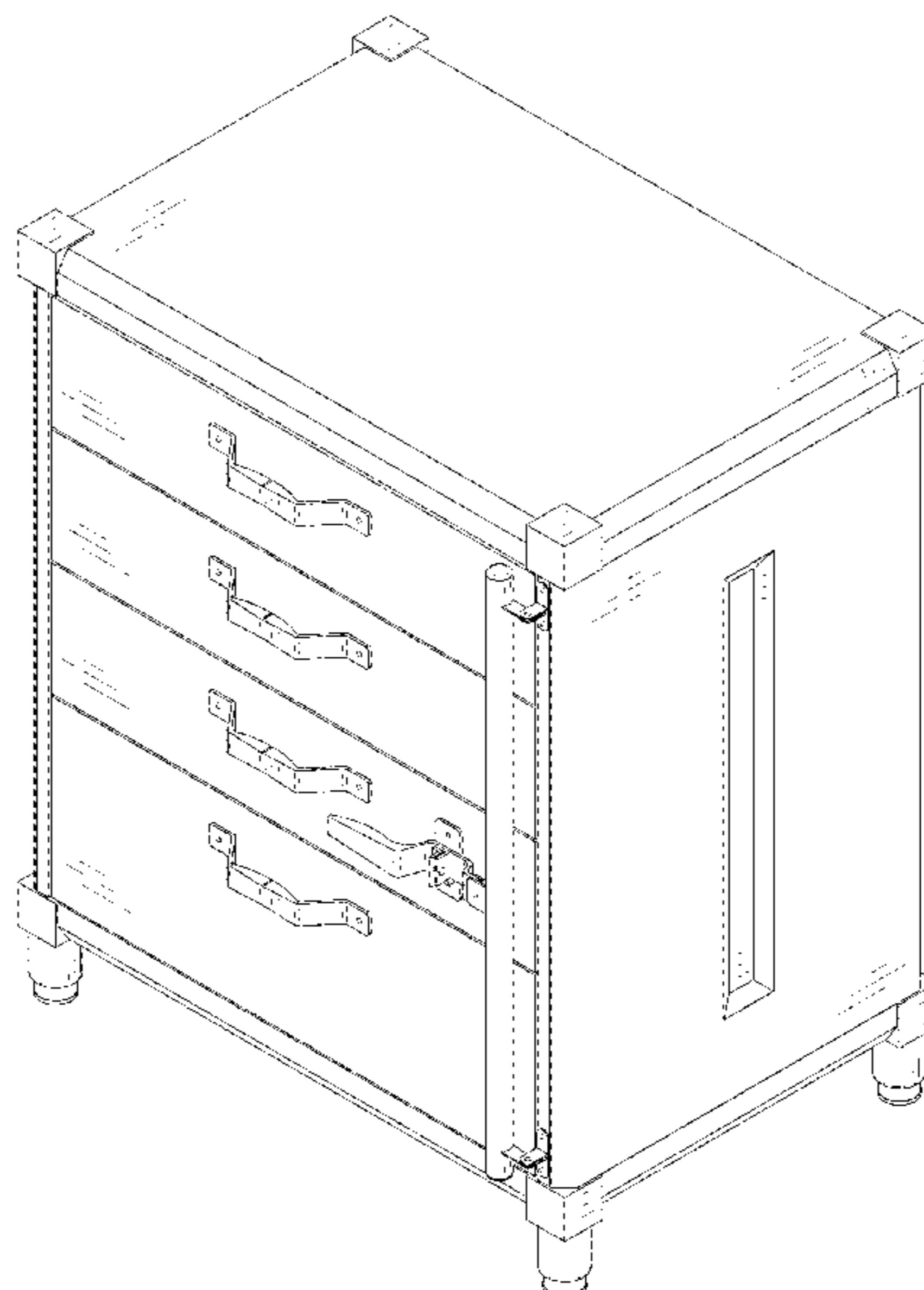
FIG. 1 is a front perspective view of a garage base cabinet;  
 FIG. 2 is a rear perspective view thereof;  
 FIG. 3 is a front elevation view thereof;  
 FIG. 4 is a rear elevation view thereof;  
 FIG. 5 is a right elevation view thereof;  
 FIG. 6 is a left elevation view thereof;  
 FIG. 7 is a top plan view thereof; and,  
 FIG. 8 is a bottom plan view thereof.

**1 Claim, 8 Drawing Sheets**

(56) **References Cited**

**U.S. PATENT DOCUMENTS**

- D144,029 S 3/1946 Broadbent  
 D146,375 S \* 2/1947 Obrig ..... D6/671.1  
 D169,687 S \* 5/1953 Levey ..... D6/671.3  
 3,879,096 A 4/1975 Blodee  
 3,926,486 A 12/1975 Sasnett  
 D240,629 S \* 7/1976 Cope ..... D24/177  
 3,971,605 A 7/1976 Sasnett  
 4,078,342 A 3/1978 Cohen  
 D328,824 S \* 8/1992 Bellini ..... 312/225



(56)

**References Cited**

U.S. PATENT DOCUMENTS

D672,575	S *	12/2012	Christopher .....	D6/671.1
D679,115	S	4/2013	Chavez	
D679,116	S	4/2013	Evangelidis	
D686,437	S	7/2013	Johnson et al.	
8,540,326	B2 *	9/2013	Moszer .....	A47B 67/04 248/501
D720,163	S *	12/2014	Burden .....	D6/671.1
D734,069	S *	7/2015	Zhao .....	D6/671.1
D734,070	S *	7/2015	Zhao .....	D6/671.1
D734,071	S *	7/2015	Zhao .....	D6/671.1
D741,624	S *	10/2015	Freimuth .....	D6/671.1
D759,995	S *	6/2016	Miller .....	D6/668.2
D765,445	S *	9/2016	Persson .....	D6/671.1
D801,728	S	11/2017	Reyes et al.	
D807,084	S *	1/2018	Waldner .....	D6/671.1
D807,085	S	1/2018	Vandenharn et al.	
D807,670	S *	1/2018	Dawson, Jr. ....	D6/671.1
2005/0057128	A1	3/2005	Anderson et al.	
2017/0361472	A1	12/2017	Padova et al.	

\* cited by examiner

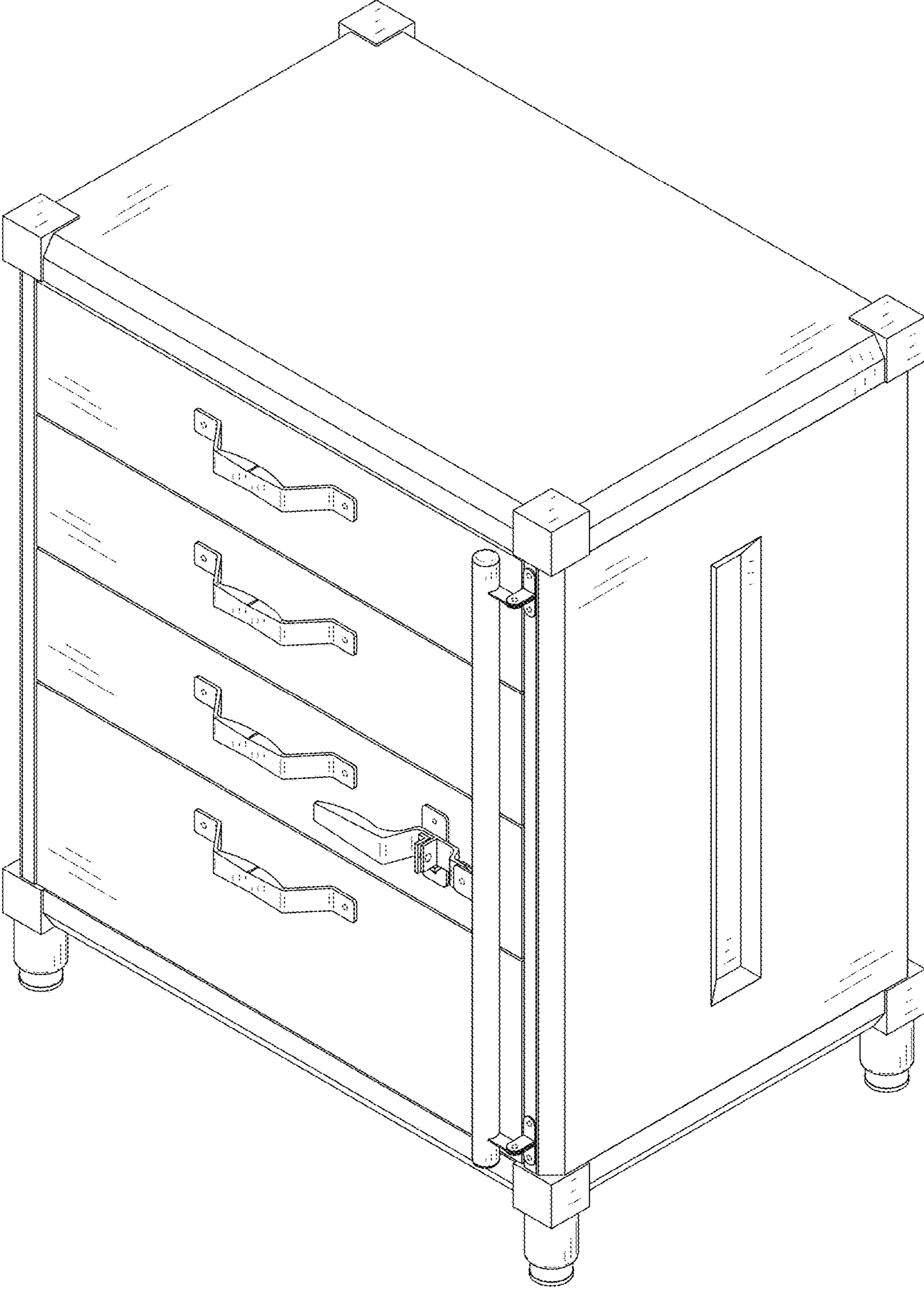


FIG. 1

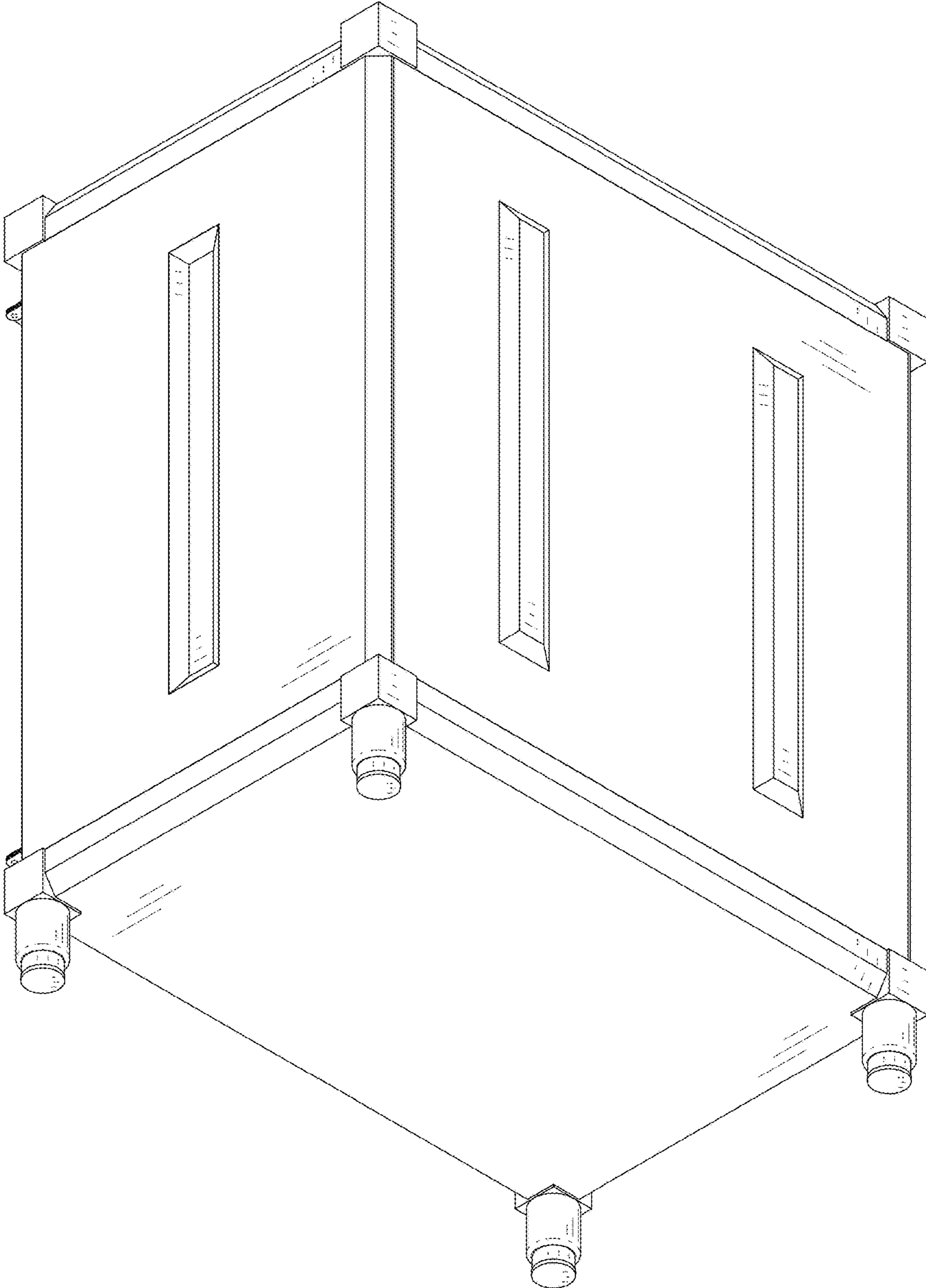


FIG. 2



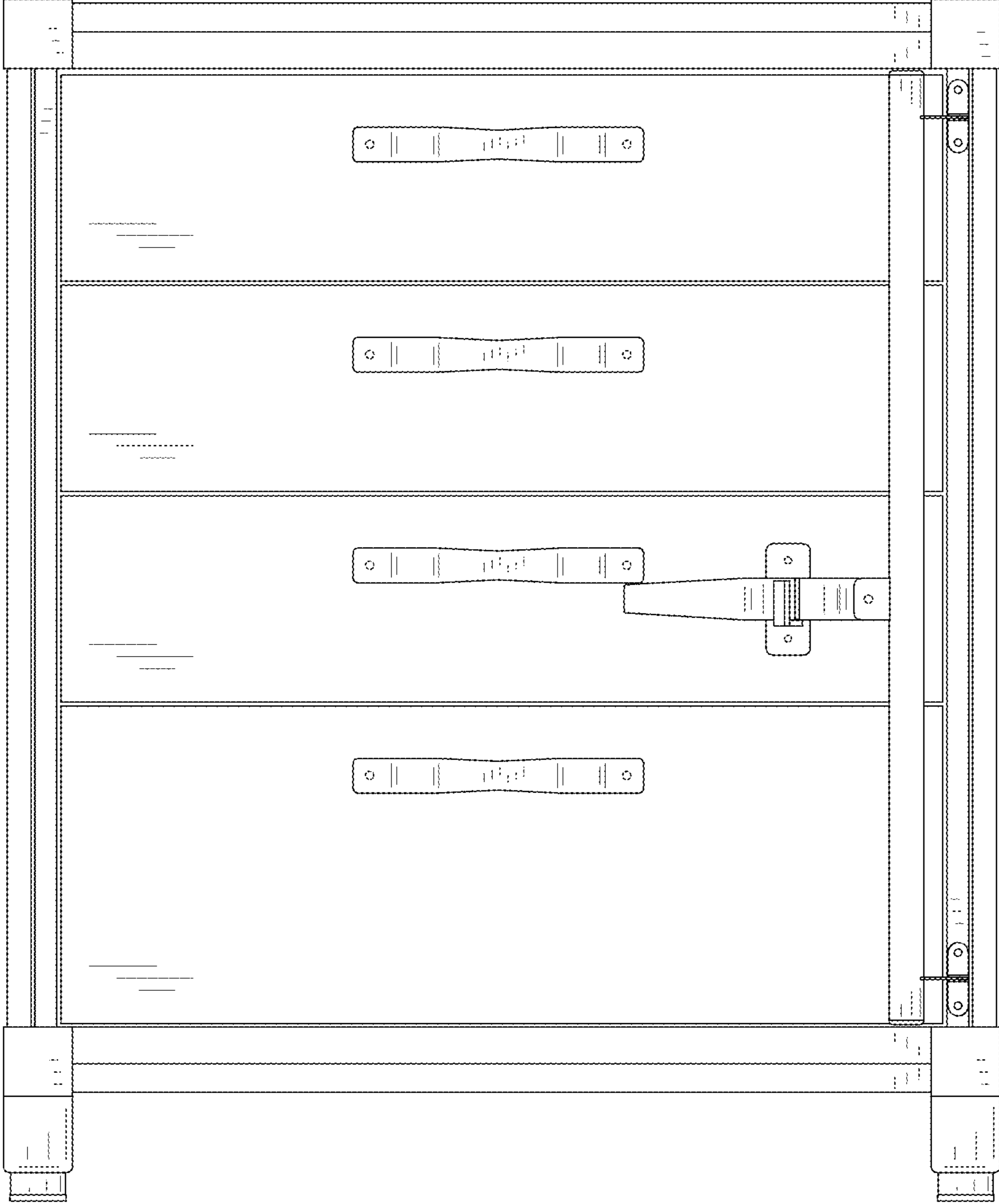


FIG. 3

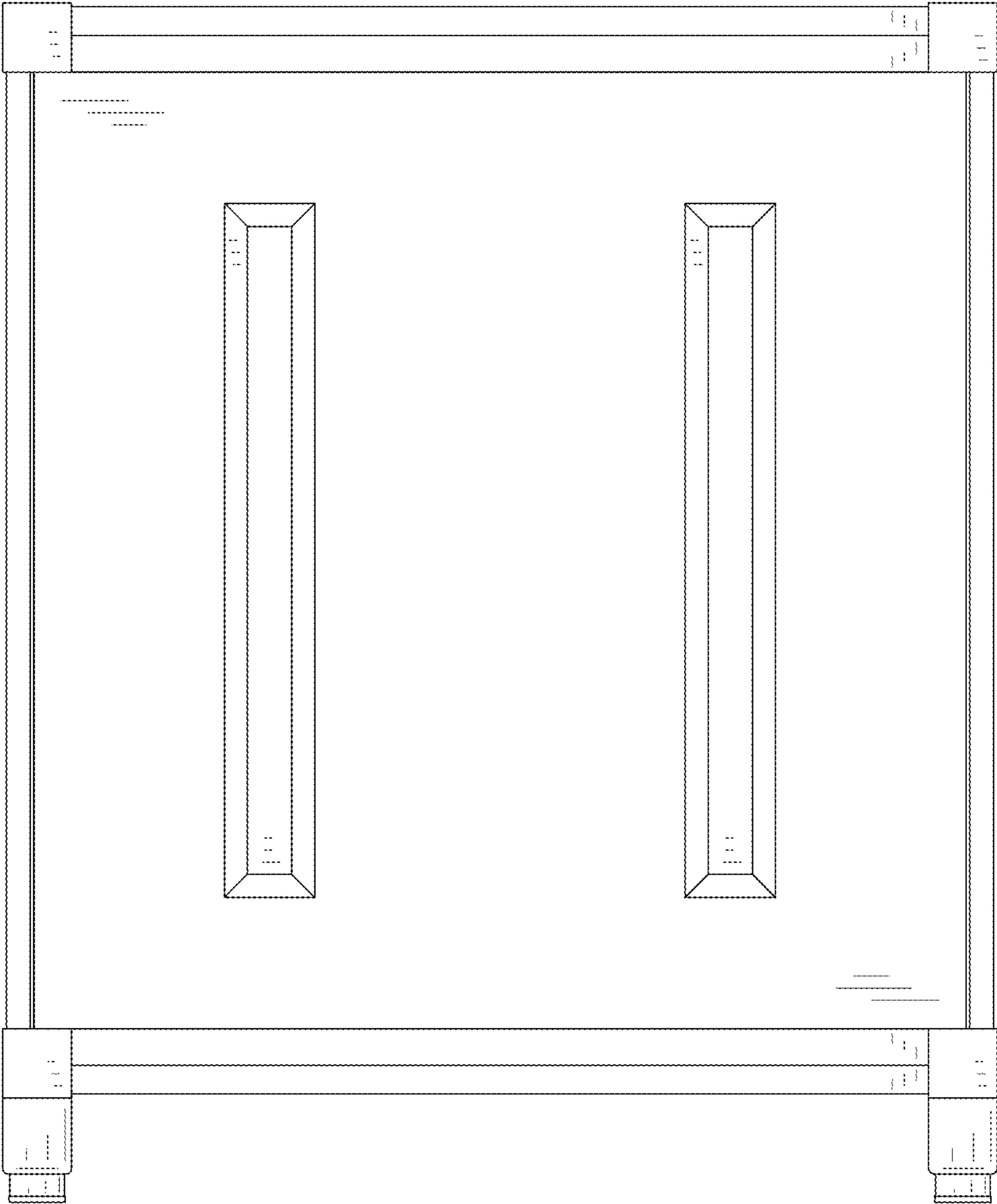


FIG. 4

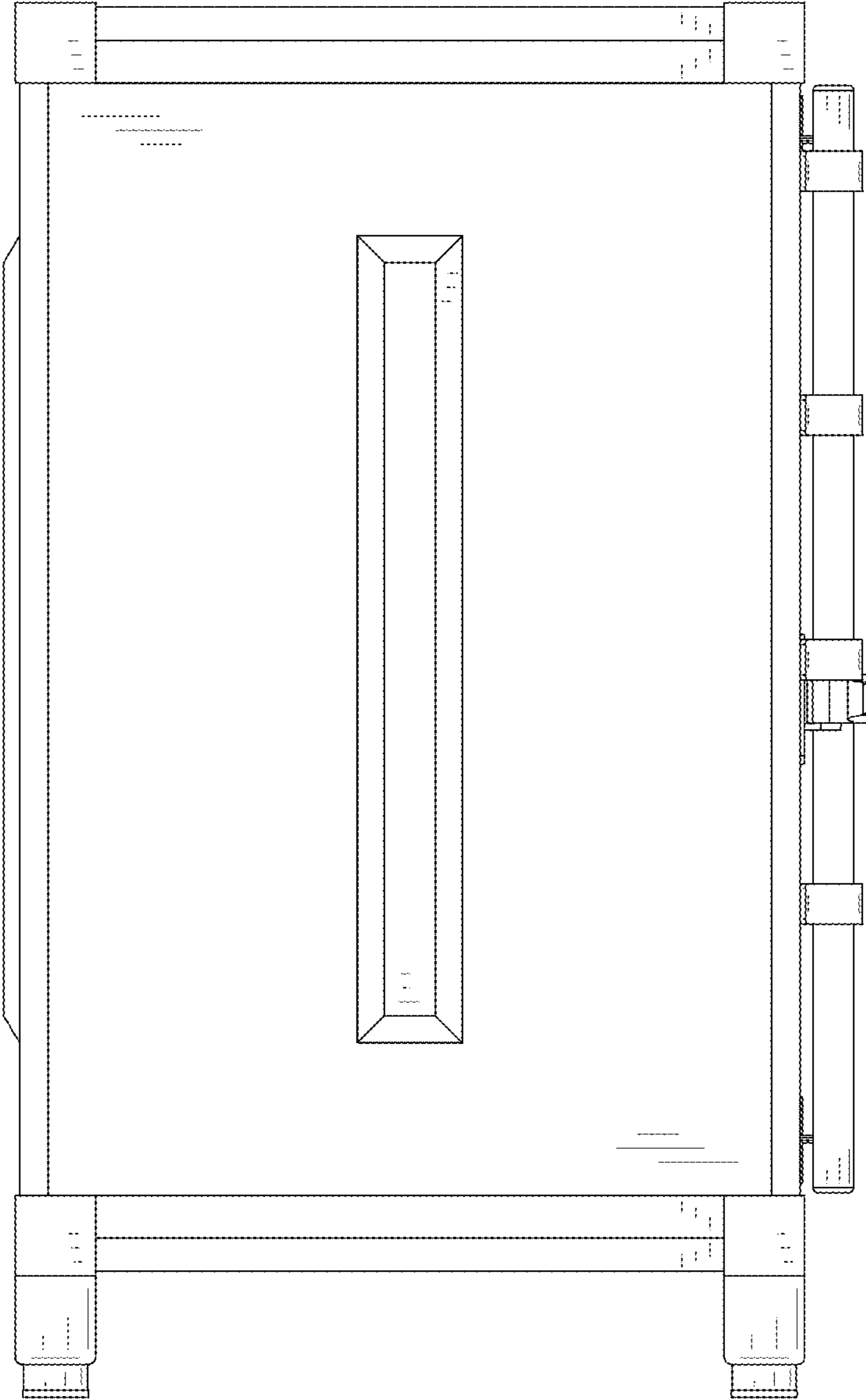


FIG. 5

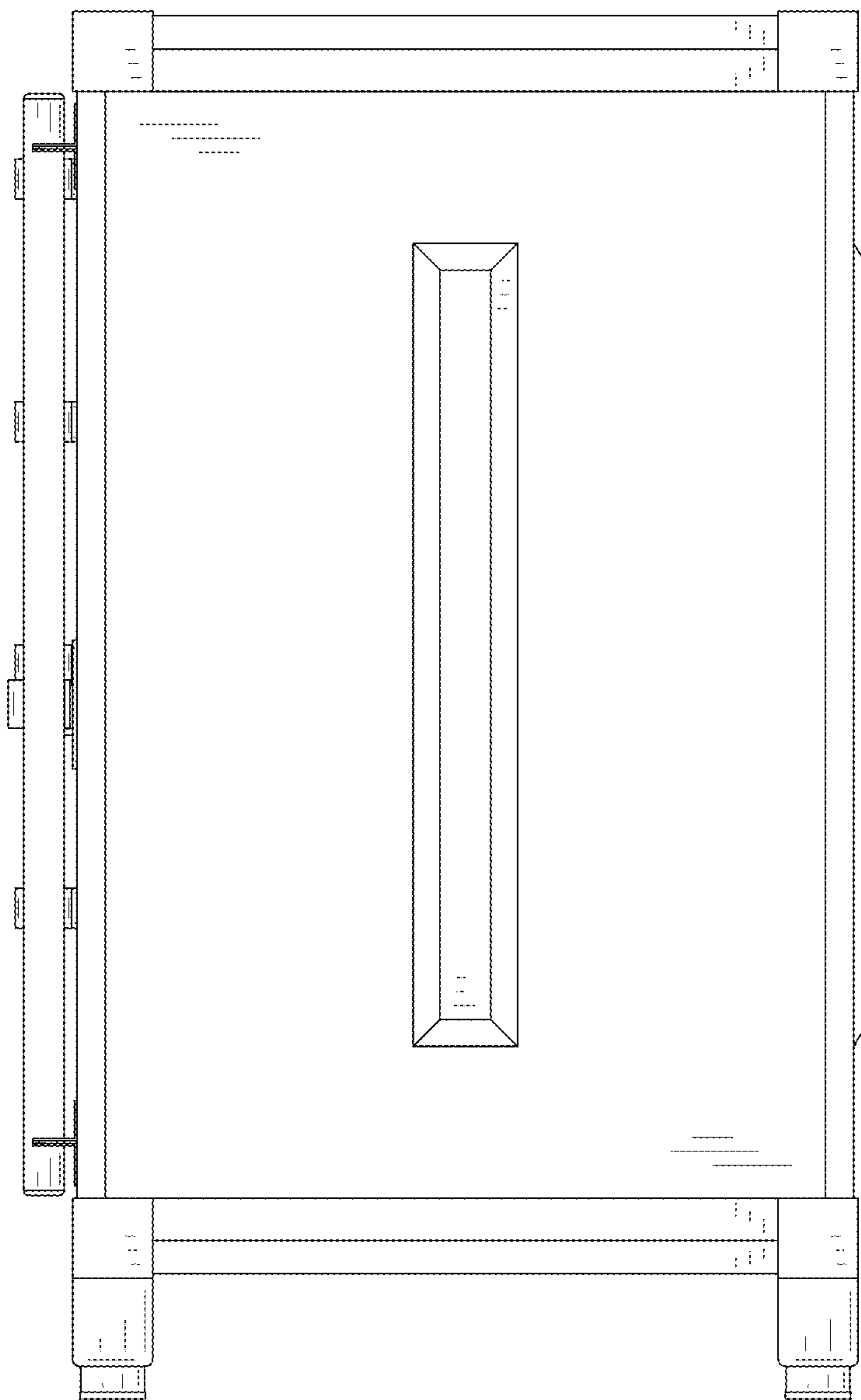


FIG. 6



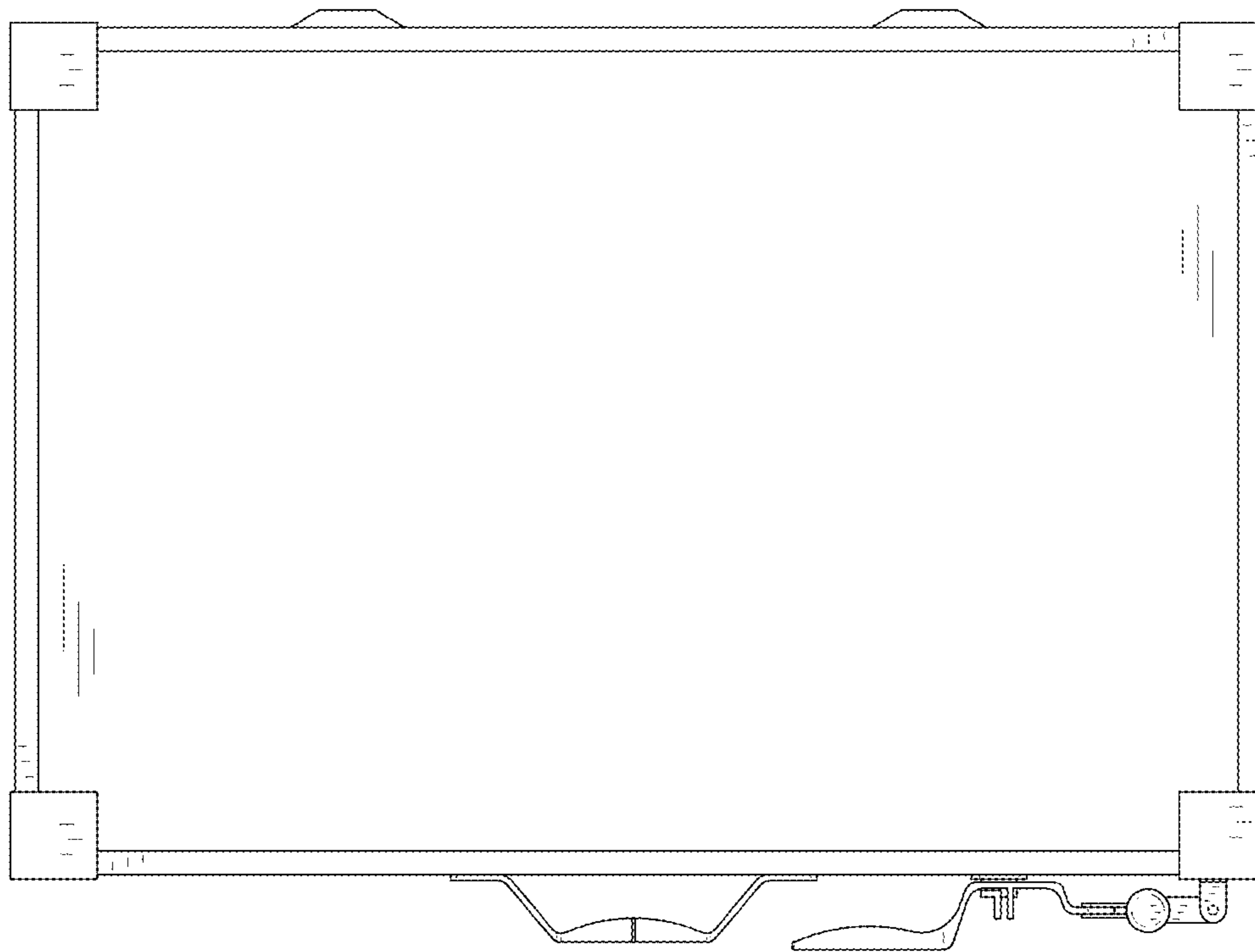


FIG. 7

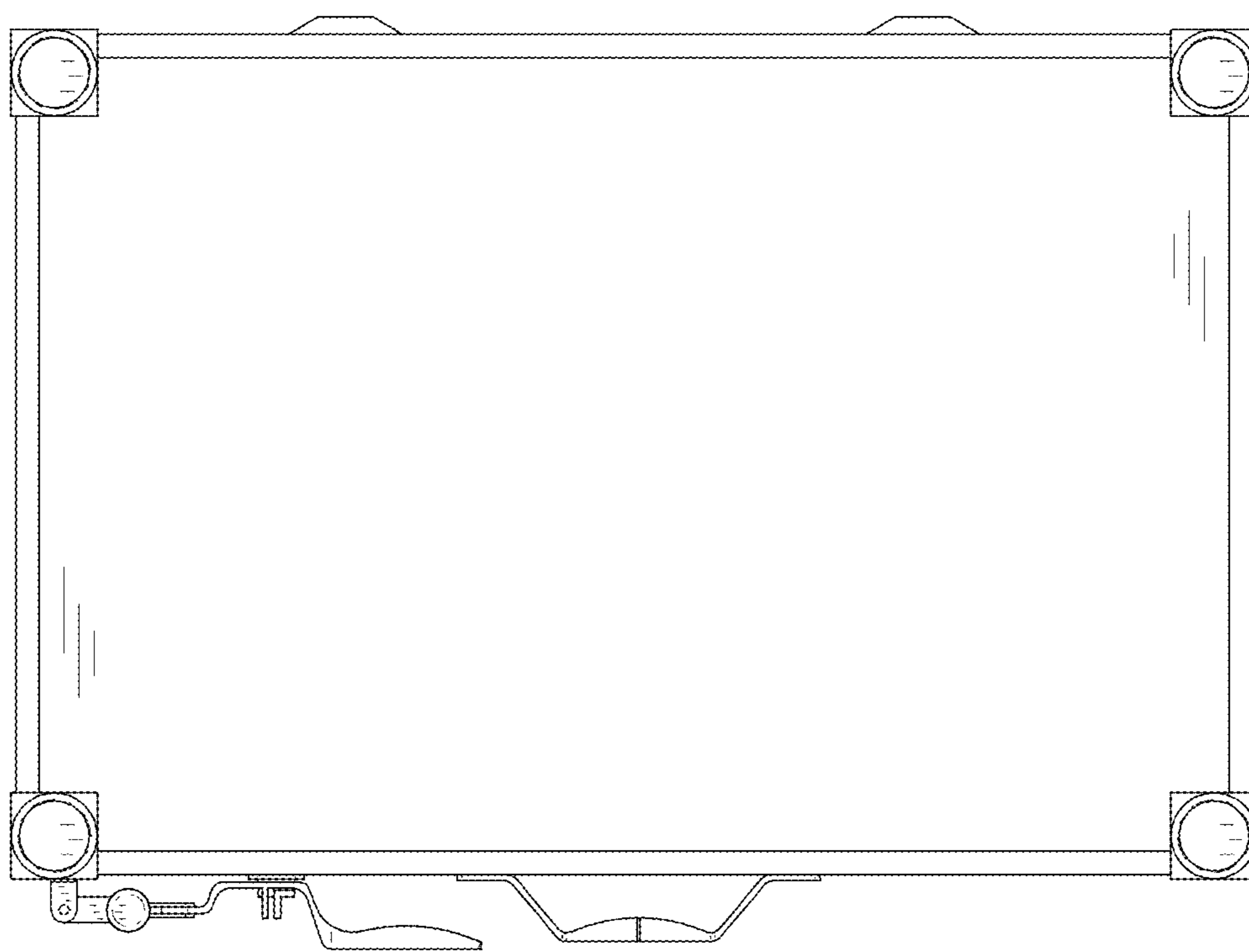


FIG. 8