



US00D832624S

(12) **United States Design Patent**
Rathman

(10) **Patent No.:** **US D832,624 S**

(45) **Date of Patent:** **** Nov. 6, 2018**

(54) **CABINET**

(71) Applicant: **WINSTON PRODUCTS LLC**,
Cleveland, OH (US)

(72) Inventor: **David Edward Birn Rathman**,
Cleveland, OH (US)

(73) Assignee: **WINSTON PRODUCTS, LLC**,
Cleveland, OH (US)

(**) Term: **15 Years**

(21) Appl. No.: **29/543,662**

(22) Filed: **Oct. 27, 2015**

(51) **LOC (11) Cl.** **06-04**

(52) **U.S. Cl.**
USPC **D6/671**

(58) **Field of Classification Search**
USPC D6/662, 703, 703.2, 705.4, 713, 717;
D8/323, 329, 344, 354; D25/48.3, 138
CPC ... A47B 47/03; A47B 47/042; A47B 47/0091;
A01K 63/006; E04H 17/1421; E05D
3/12; E05D 5/06; E05D 5/065; E05D
7/0415; E05D 7/0423; E05D 7/105; E05B
15/0205; E06B 7/21; F16B 12/02
See application file for complete search history.

(56) **References Cited**

U.S. PATENT DOCUMENTS

3,431,591 A * 3/1969 Betso E05D 7/105
16/265
4,242,773 A * 1/1981 Beigh E05D 3/12
16/371
5,144,721 A * 9/1992 Schade E05D 5/065
16/237
D493,351 S * 7/2004 Wegman D8/323
6,857,672 B1 * 2/2005 Drew, II E05B 15/0205
292/340

D534,053 S * 12/2006 Sozzi D8/329
D556,015 S * 11/2007 Muchnik D8/349
7,552,511 B2 * 6/2009 Campbell E05D 7/0423
16/236
7,694,388 B2 * 4/2010 Campbell E05D 7/0415
16/235
8,210,504 B1 * 7/2012 Skornickel E04H 17/1421
256/65.01
D678,753 S * 3/2013 Ann D8/354

(Continued)

Primary Examiner — Ricky Pham

(74) *Attorney, Agent, or Firm* — Tucker Ellis LLP

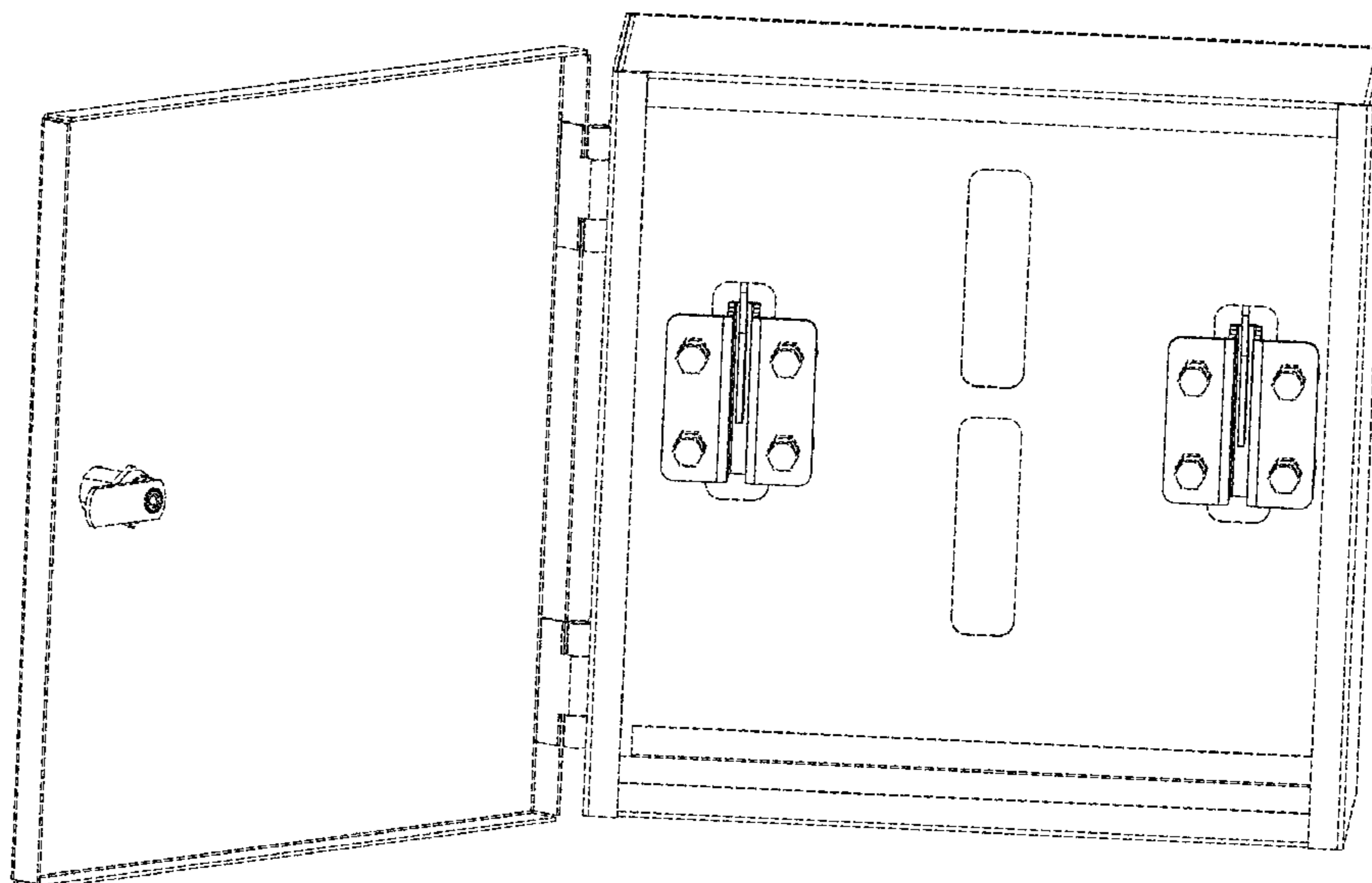
(57) **CLAIM**

The ornamental design for cabinet, as shown and described.

DESCRIPTION

FIG. 1 is a perspective view of a cabinet in a horizontal orientation showing our new design; FIG. 2 is a rear view of the cabinet illustrated in FIG. 1; FIG. 3 is front view of the cabinet illustrated in FIG. 1; FIG. 4 is a left side of the cabinet illustrated in FIG. 1; FIG. 5 is a right side view of the cabinet illustrated in FIG. 1; FIG. 6 is a top view of the cabinet illustrated in FIG. 1; FIG. 7 is a bottom view of the cabinet illustrated in FIG. 1; FIG. 8 is a perspective view of the cabinet illustrated in FIG. 1; FIG. 9 is a cross-sectional view of the cabinet illustrated in FIG. 2; FIG. 10 is a cross-sectional view of the cabinet illustrated in FIG. 3; FIG. 11 is a cross-sectional view of the cabinet illustrated in FIG. 2; and, FIG. 12 is a cross-sectional view of the cabinet illustrated in FIG. 6. The broken lines shown in the drawings show portions of the design that form no part of the claimed design.

1 Claim, 7 Drawing Sheets



(56)

References Cited

U.S. PATENT DOCUMENTS

D777,558 S * 1/2017 Magee E05B 15/025
D8/343
2004/0034969 A1* 2/2004 Wegman E05D 5/06
16/389

* cited by examiner

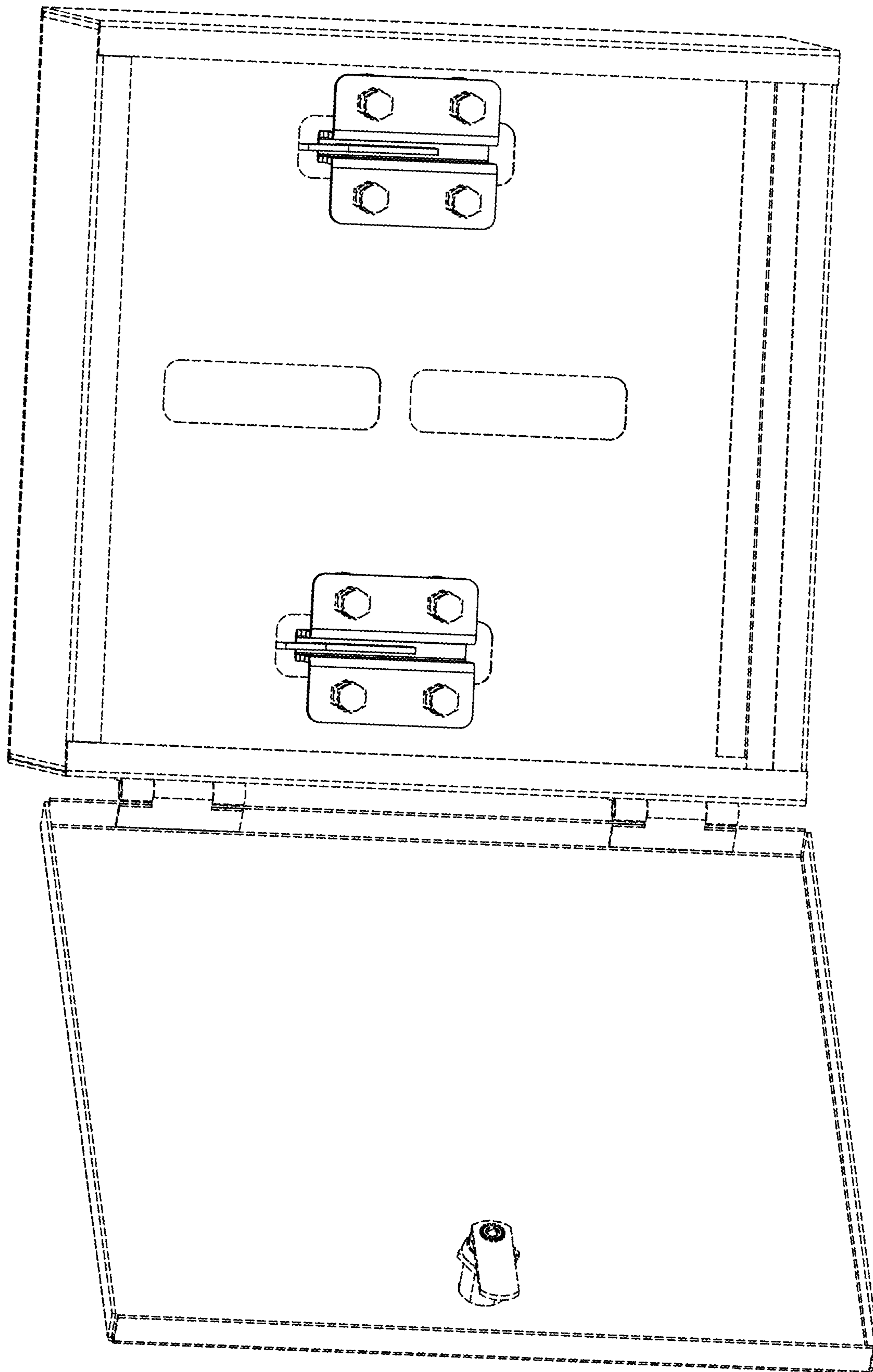
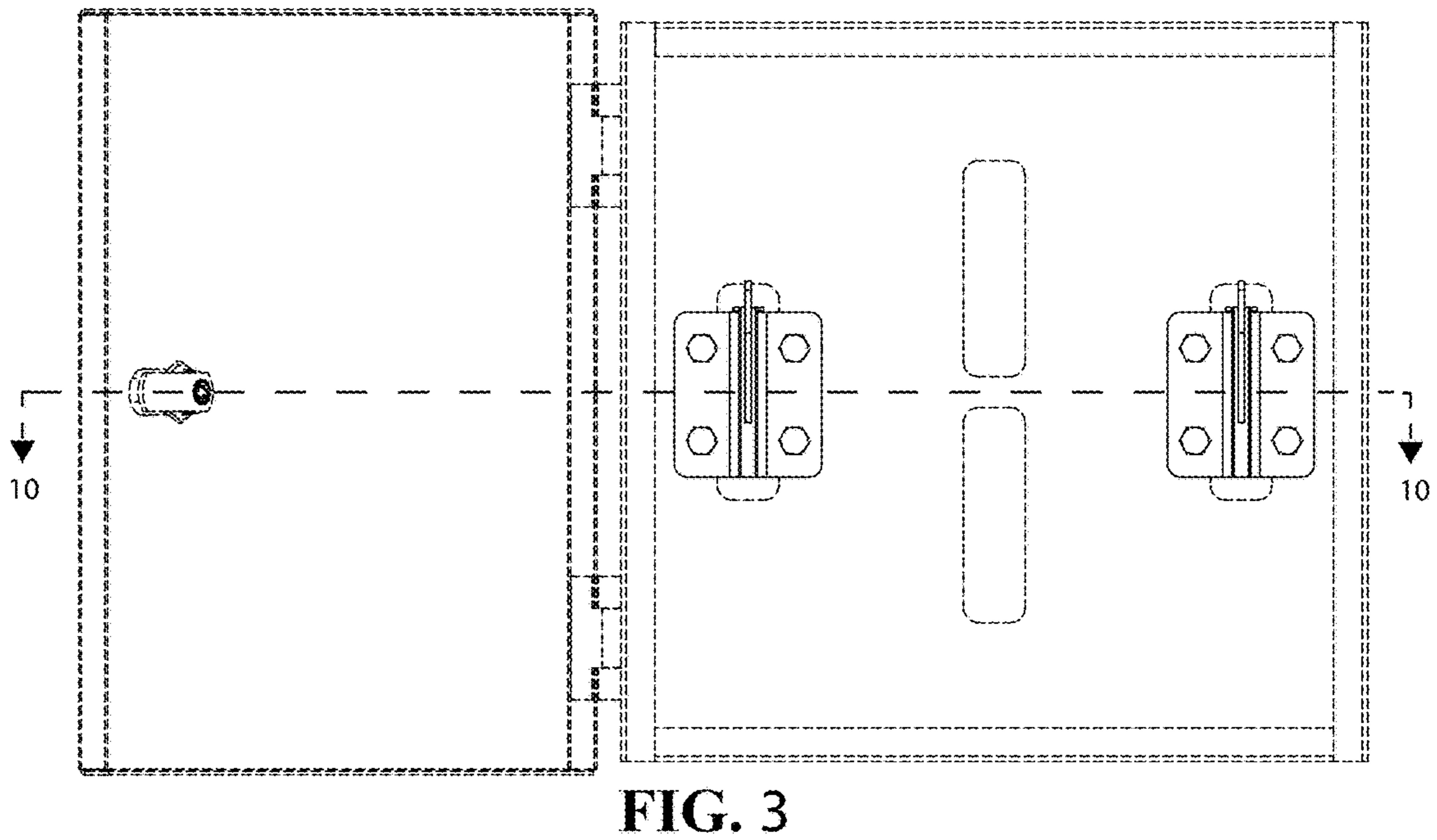
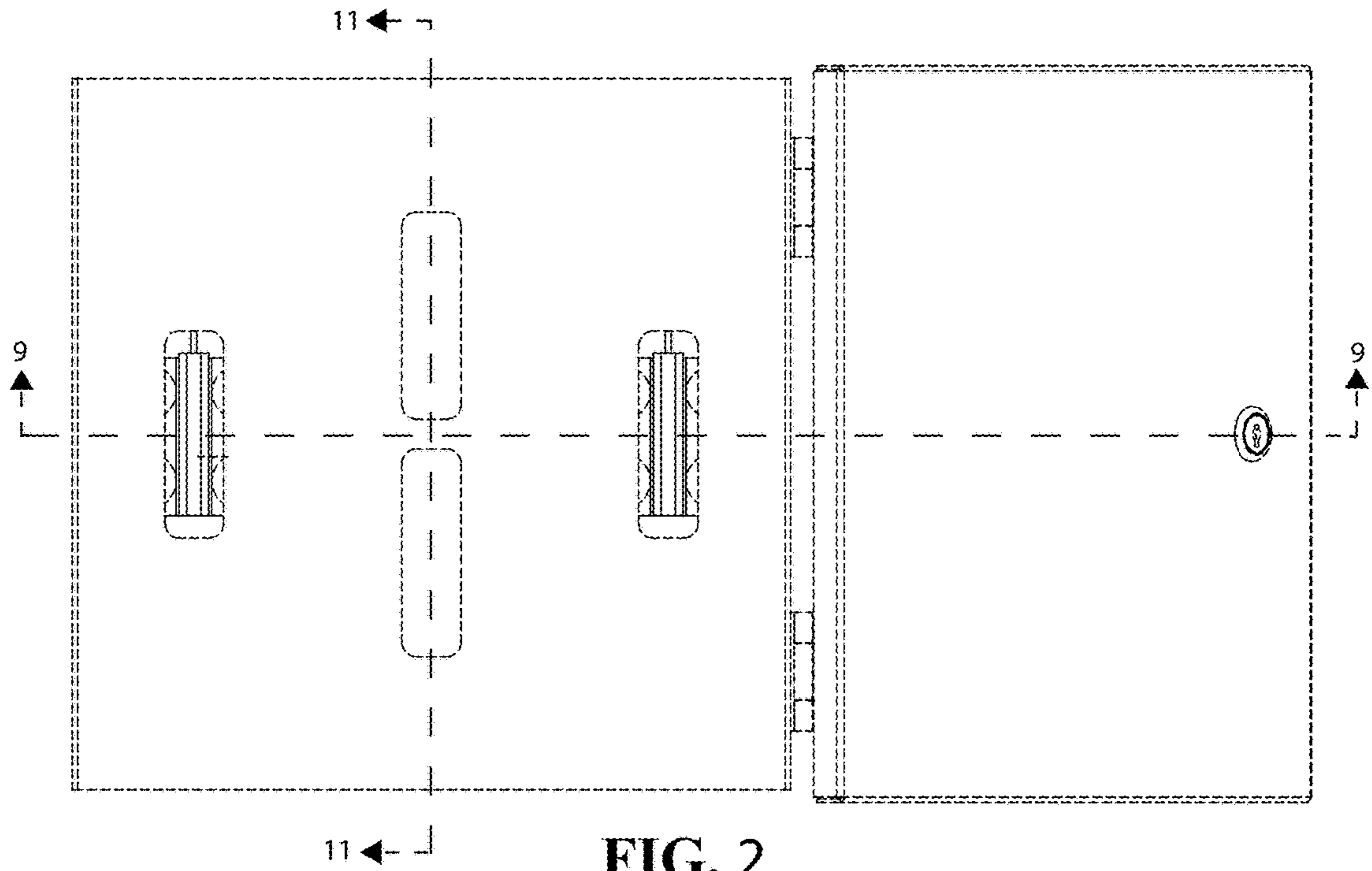


FIG. 1



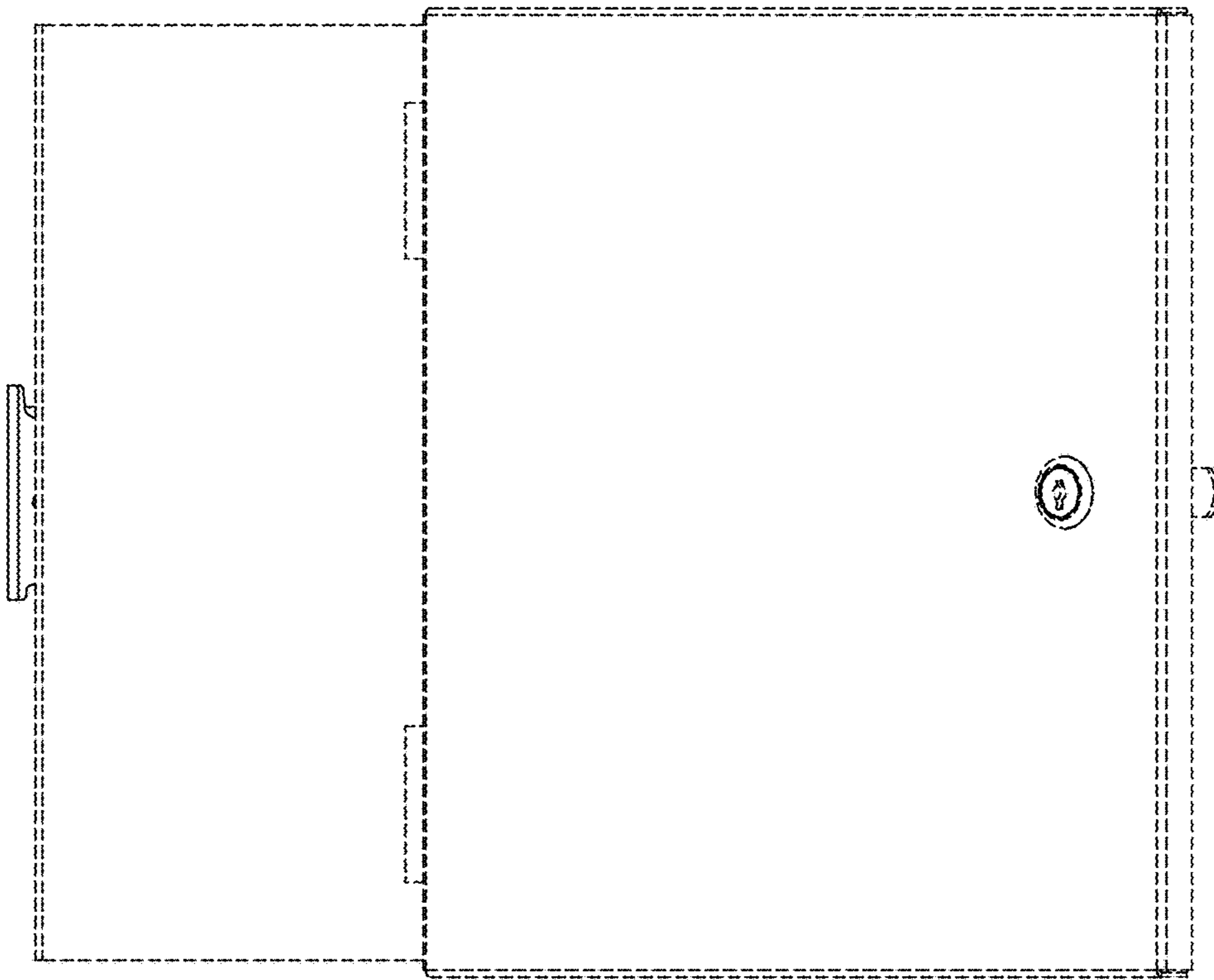


FIG. 4

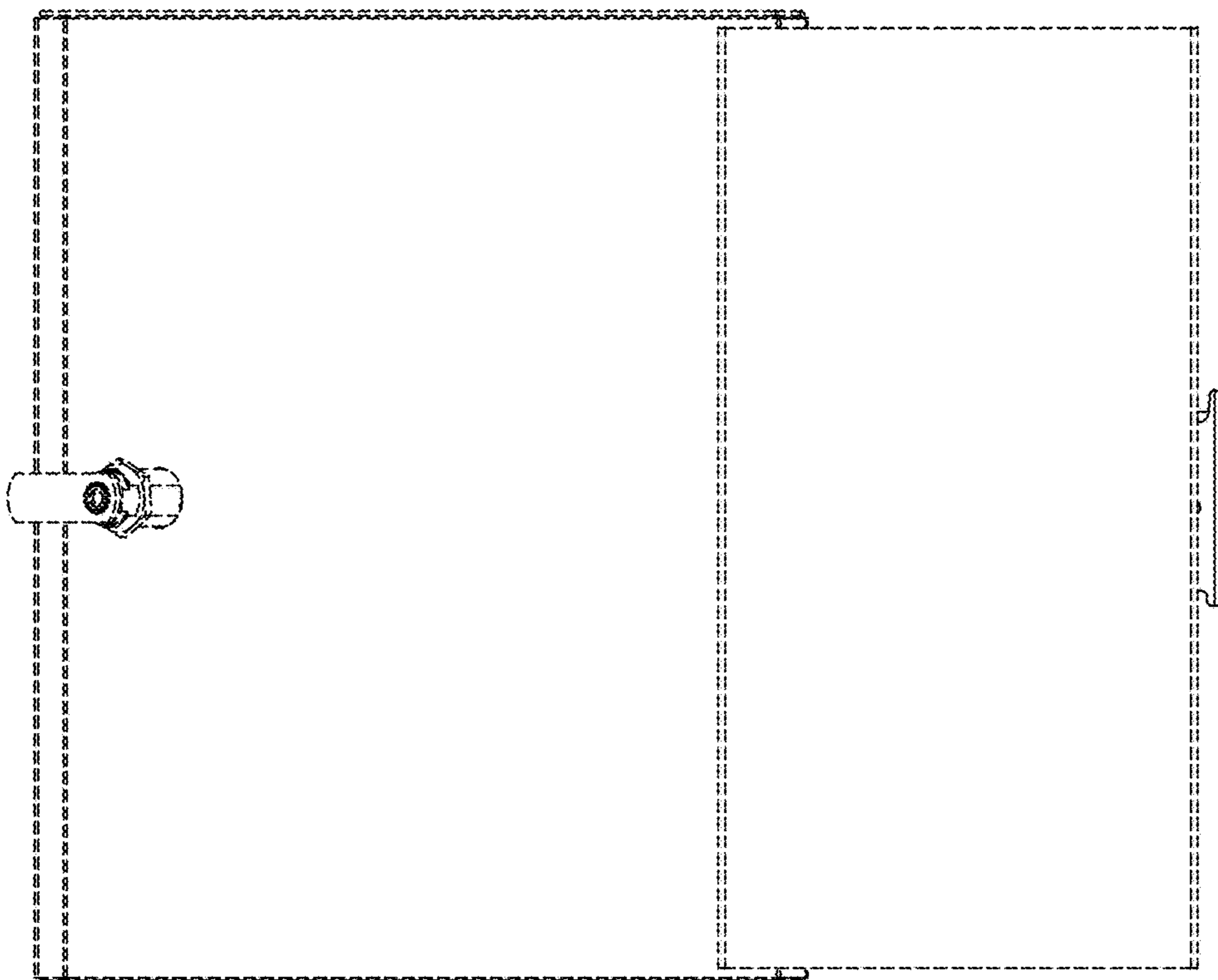


FIG. 5

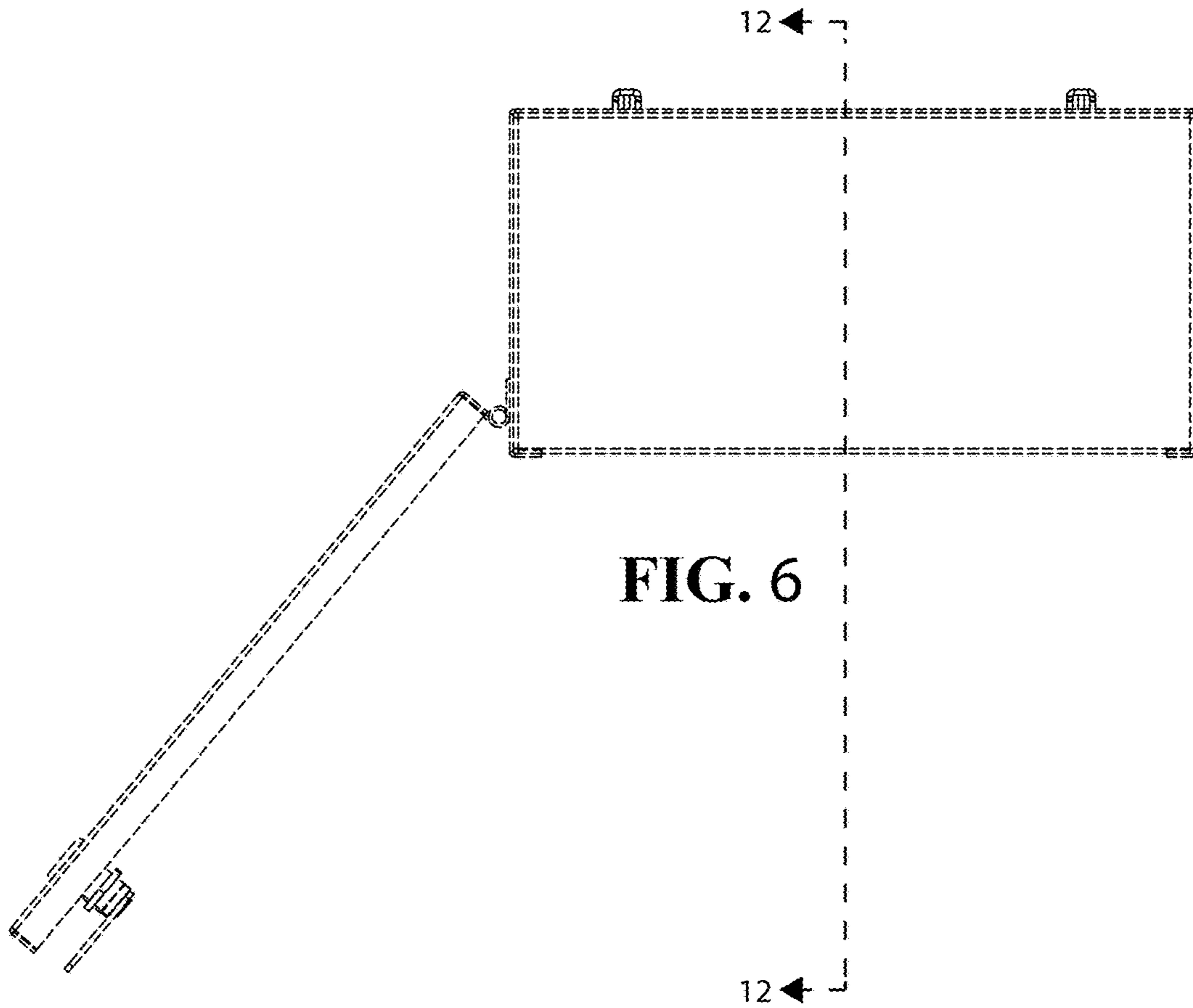


FIG. 6

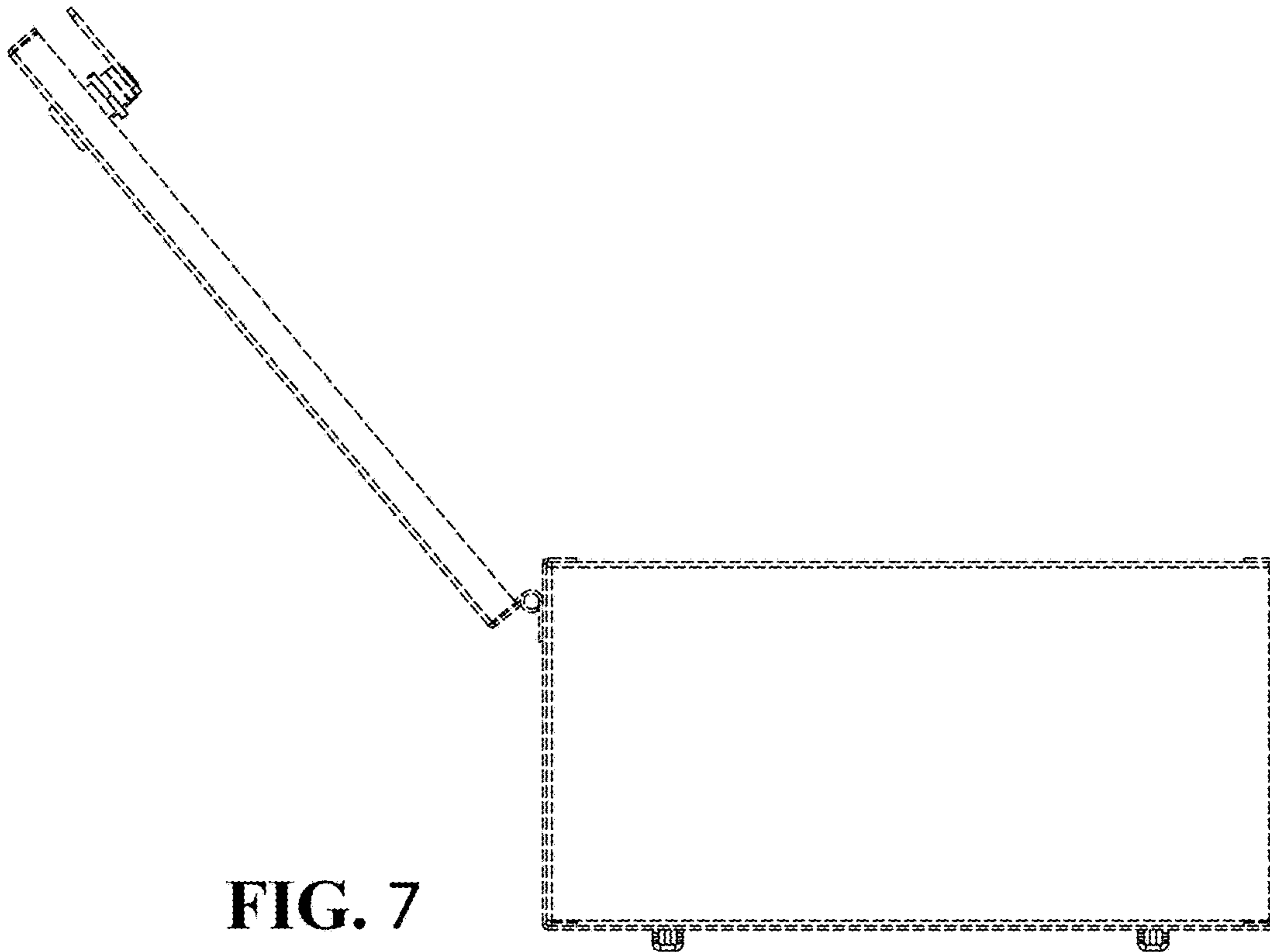


FIG. 7

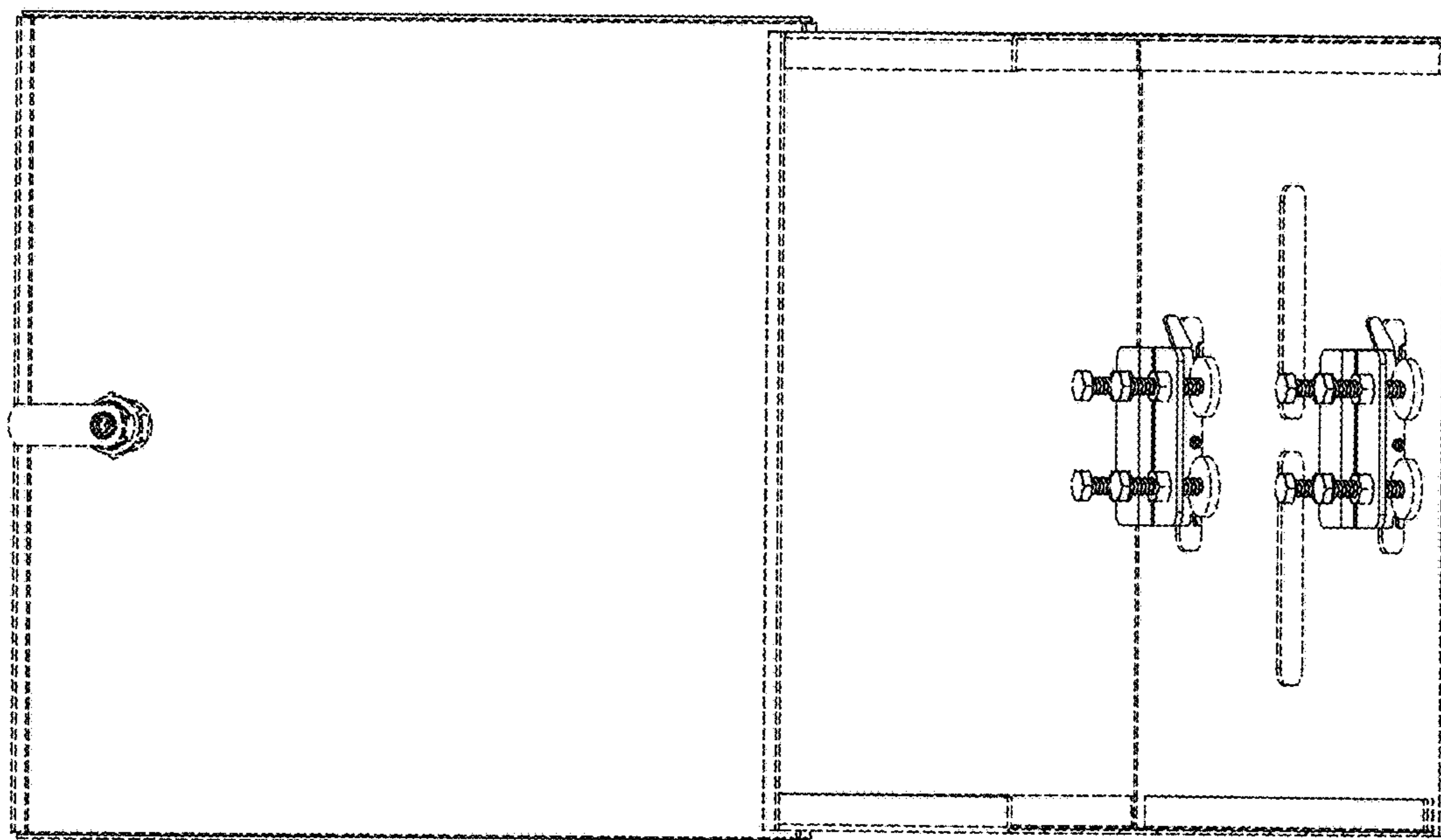


FIG. 8

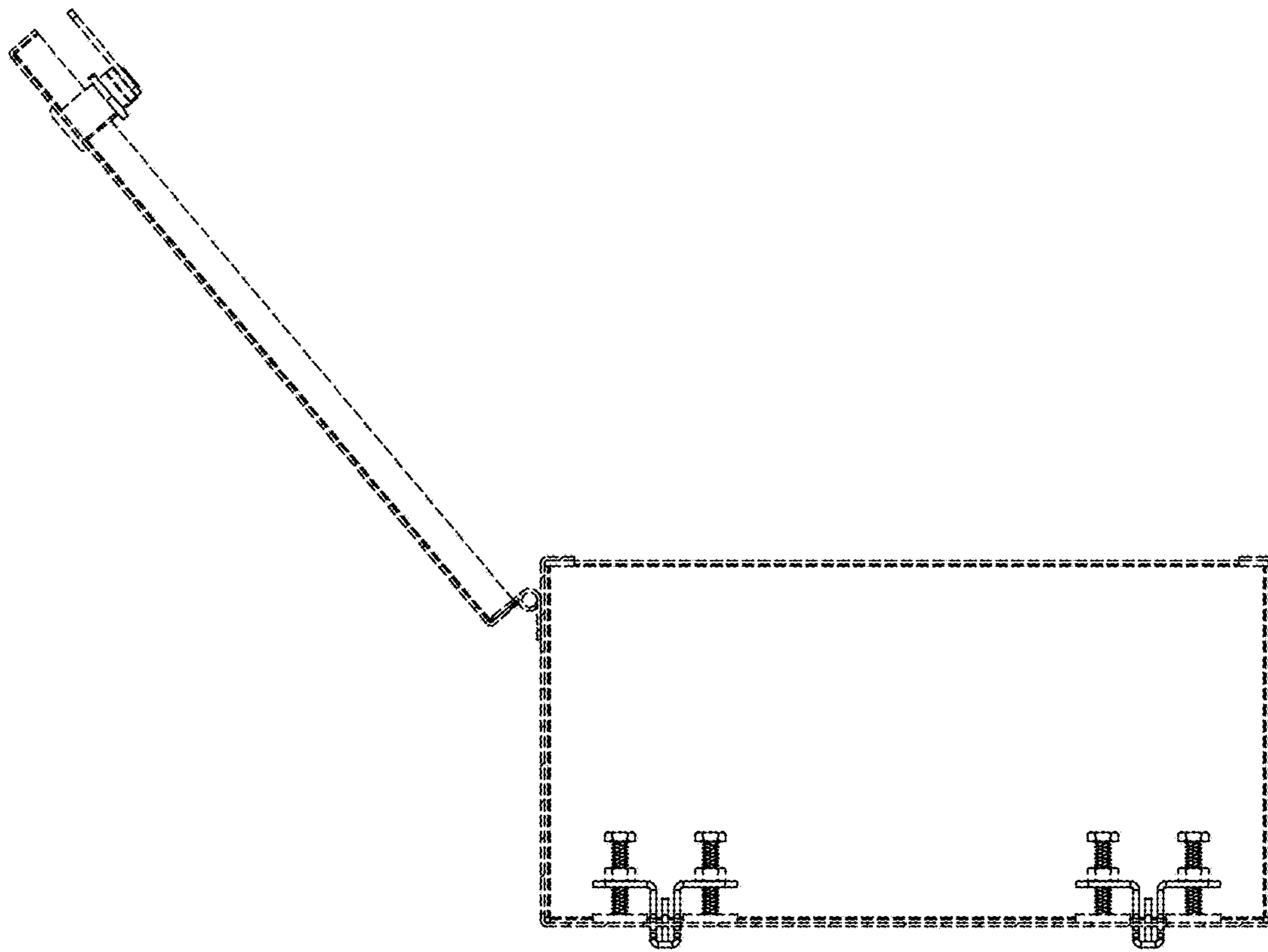


FIG. 9

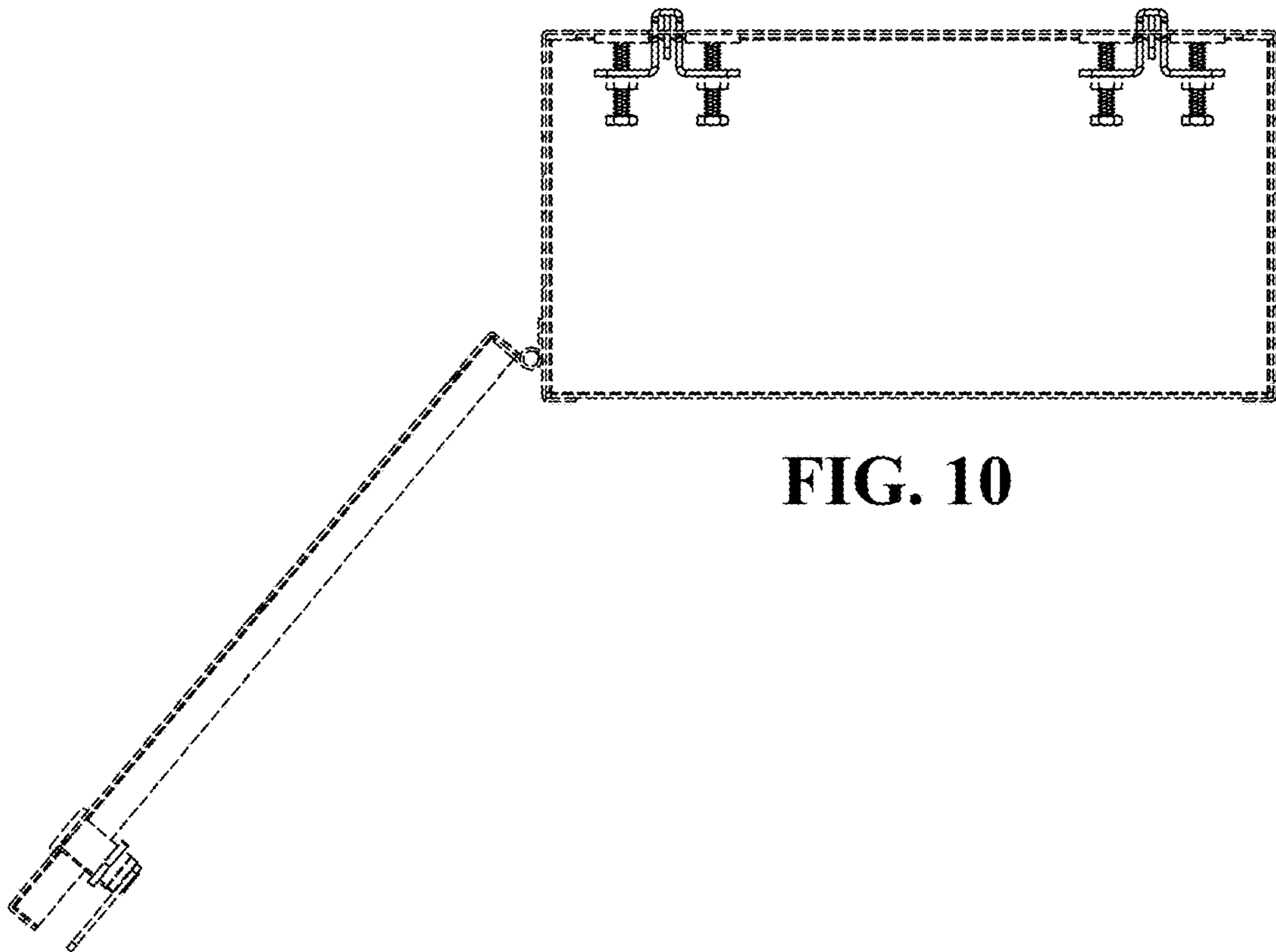


FIG. 10

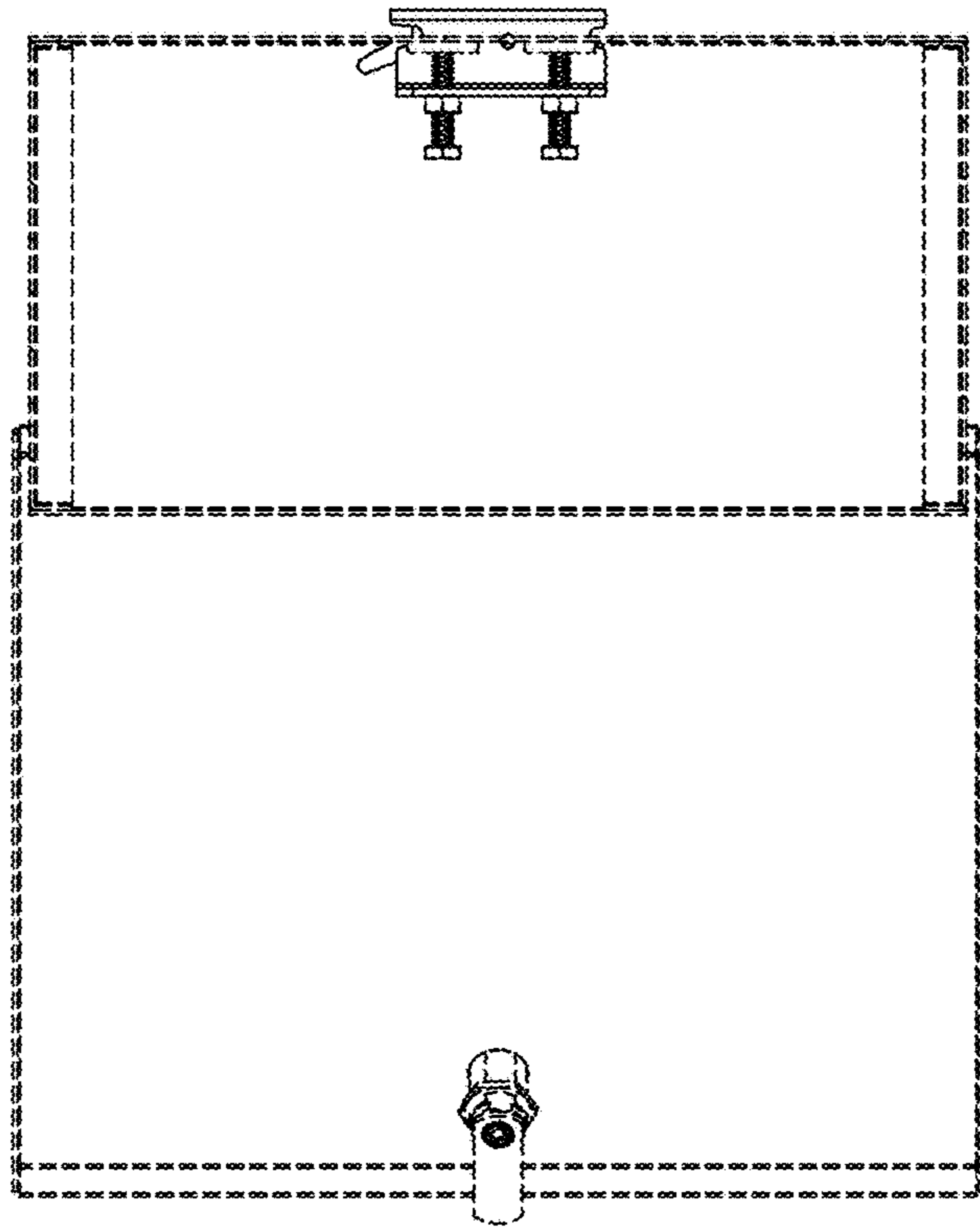


FIG. 12

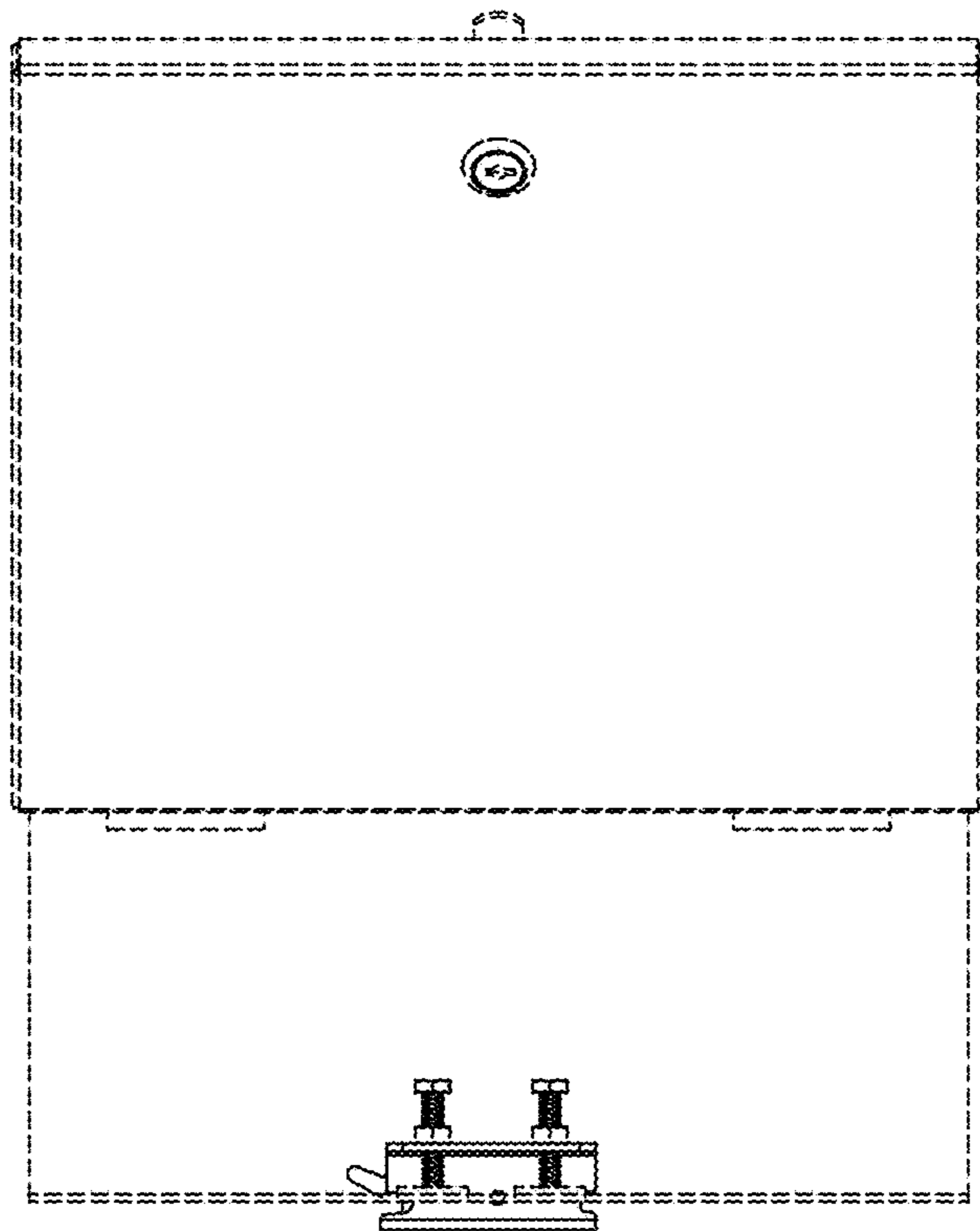


FIG. 11