



US00D832622S

(12) **United States Design Patent**
Goodrum

(10) **Patent No.:** **US D832,622 S**

(45) **Date of Patent:** **** Nov. 6, 2018**

(54) **DESK**

(71) Applicant: **Corporate Culture Australia Pty Ltd.**,
Chippendale, New South Wales (AU)

(72) Inventor: **Adam Goodrum**, Chippendale (AU)

(73) Assignee: **Corporate Culture Australia PTY Ltd.**,
Chippendale, New South Wales (AU)

(**) Term: **15 Years**

(21) Appl. No.: **29/572,280**

(22) Filed: **Jul. 26, 2016**

(51) **LOC (11) Cl.** **06-03**

(52) **U.S. Cl.**
USPC **D6/643; D6/648**

(58) **Field of Classification Search**
USPC D6/337, 642, 663, 671, 677, 686, 687,
D6/690, 691, 691.1, 691.2, 691.3, 691.4,
D6/691.5, 693, 689, 691.9, 695, 695.2,
D6/369, 643, 648
CPC A47B 7/00; A47B 13/08; A47B 13/10;
A47B 21/00; A47B 2009/006; A47B
11/00; A47B 2200/002
See application file for complete search history.

(56) **References Cited**

U.S. PATENT DOCUMENTS

D291,751 S * 9/1987 Salvato D6/687
D331,679 S * 12/1992 Fong D6/689
D332,884 S * 2/1993 Milanowski D6/349
D435,366 S * 12/2000 McClintock D6/656.13
D440,798 S * 4/2001 Kuhlman D6/707.22

D442,395 S * 5/2001 McClintock D6/650
D513,312 S * 12/2005 Borowske D23/342
D523,663 S * 6/2006 Risdall D6/650
D562,033 S * 2/2008 Lowsky D6/689
D573,807 S * 7/2008 Marin D6/349
D576,816 S * 9/2008 Wang D6/369
D589,282 S * 3/2009 Lowsky D6/689
D590,644 S * 4/2009 Derocher D6/707.22
D602,714 S * 10/2009 Marin D6/691.4
D618,933 S * 7/2010 Lambert D6/689
D677,073 S * 3/2013 Zak D6/686
D691,223 S * 10/2013 Hao D21/694
D720,147 S * 12/2014 Urquiola D6/369
D720,149 S * 12/2014 Armani D6/369
D730,668 S * 6/2015 Fletcher D6/341
D798,618 S * 10/2017 Goodrum D6/336

* cited by examiner

Primary Examiner — Mary Ann Calabrese

Assistant Examiner — Sloan Rozin

(74) *Attorney, Agent, or Firm* — McKee, Voorhees & Sease, PLC

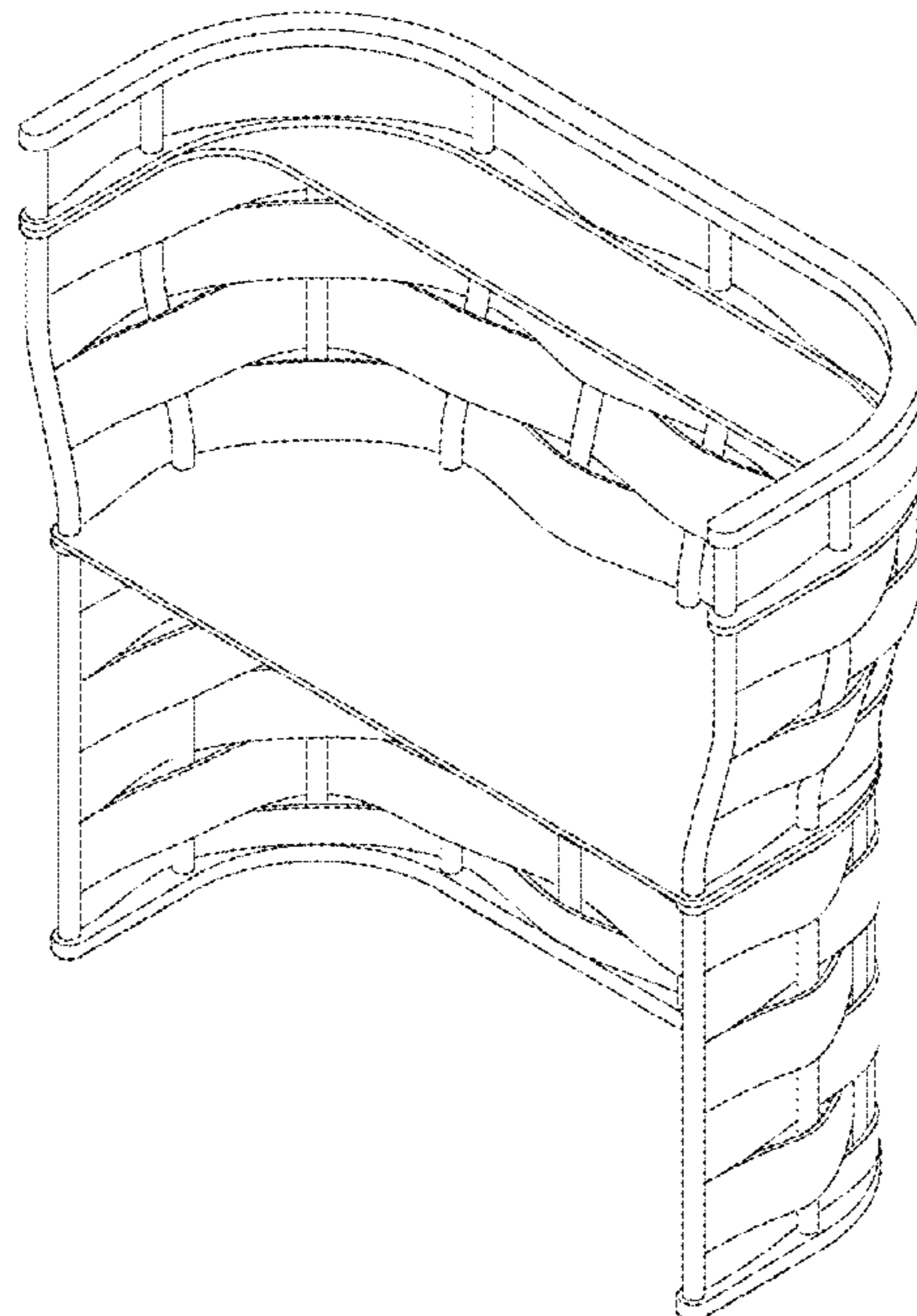
(57) **CLAIM**

I claim the ornamental design for a desk, substantially as shown.

DESCRIPTION

FIG. 1 is a top front isometric view of the desk.
FIG. 2 is a bottom front isometric view of the desk.
FIG. 3 is a bottom plan view of the desk.
FIG. 4 is a top plan view of the desk.
FIG. 5 is side elevation view of the desk.
FIG. 6 is a front elevation view of the desk; and,
FIG. 7 is another side elevation view of the desk showing the opposite side of FIG. 5.

1 Claim, 7 Drawing Sheets



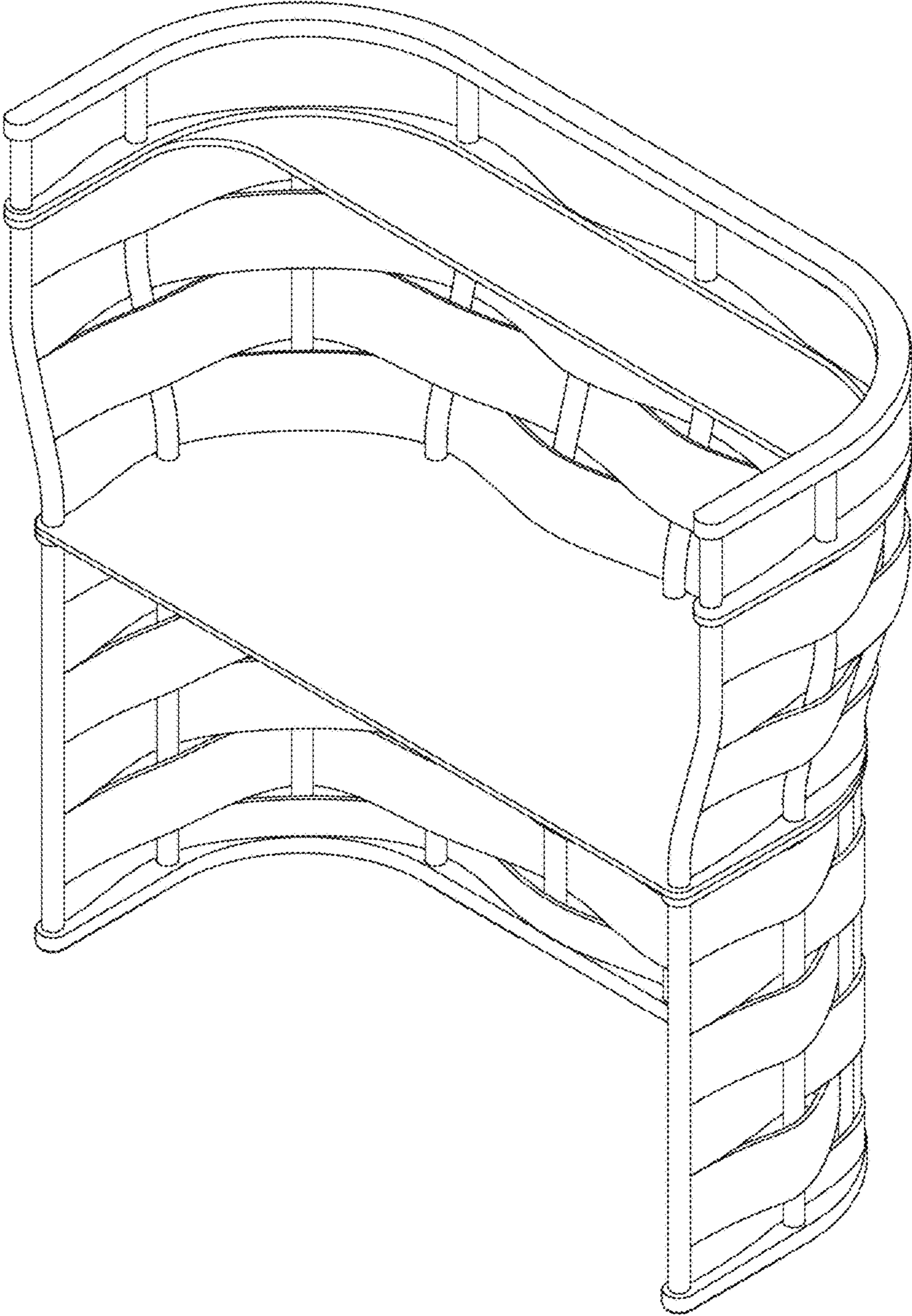


FIG. 1

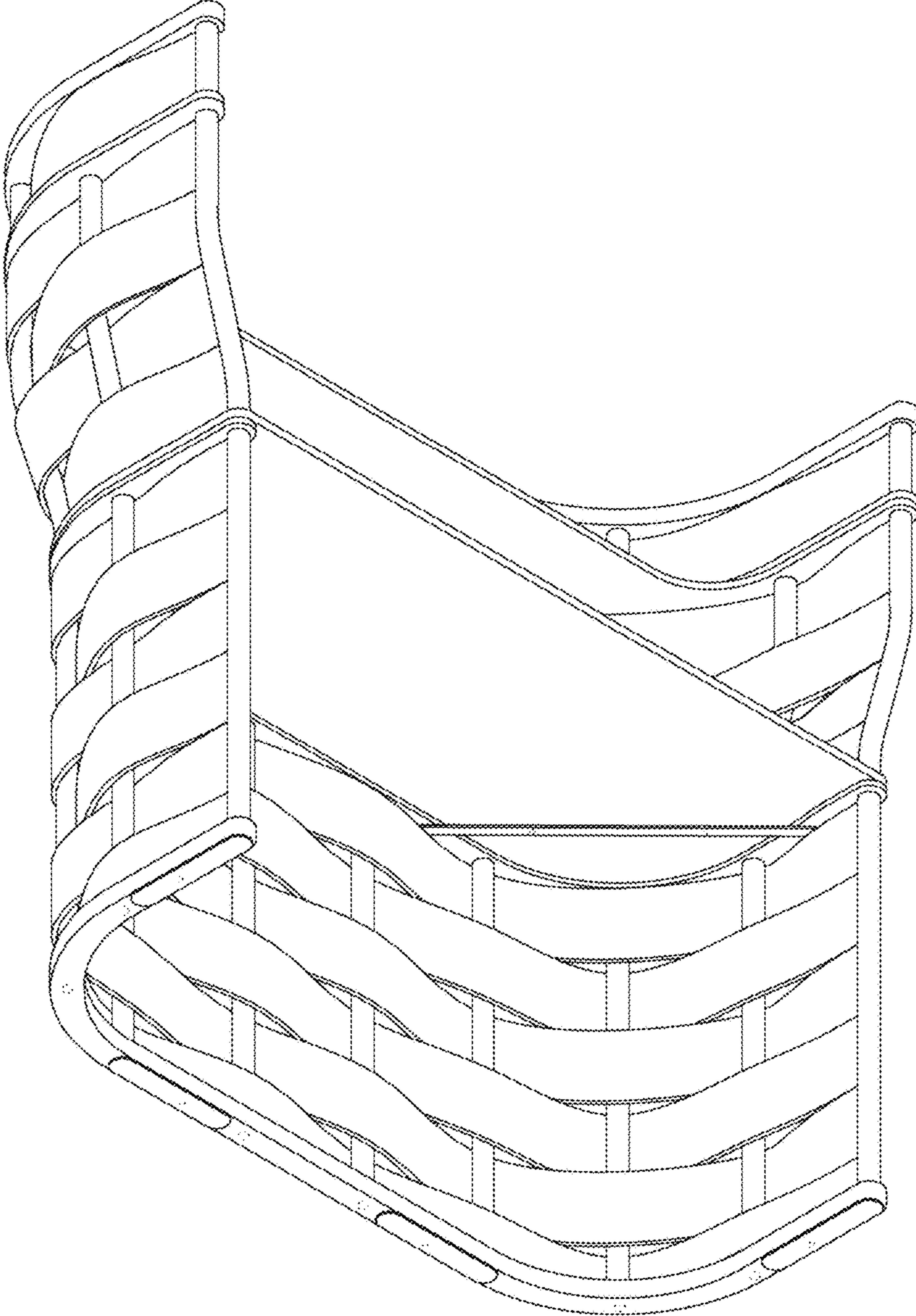


FIG. 2

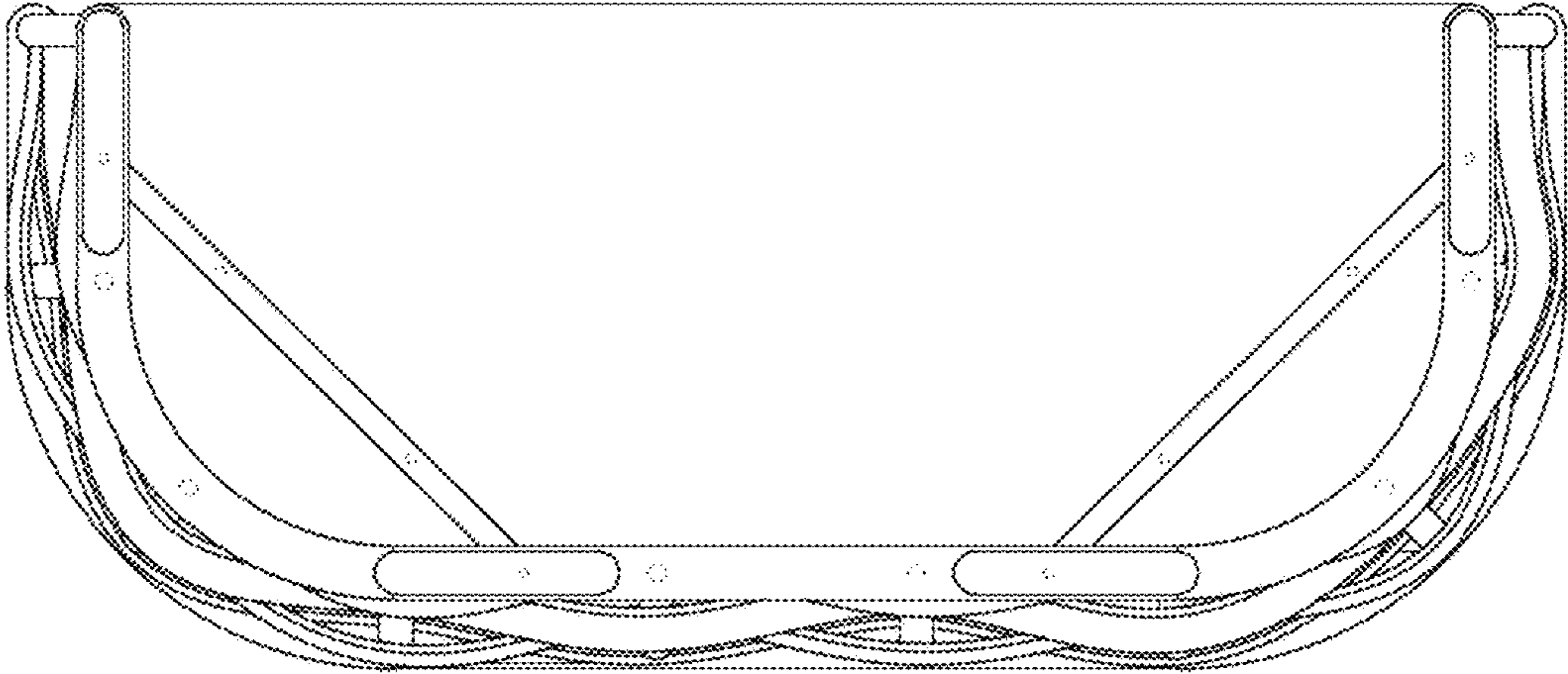


FIG. 3

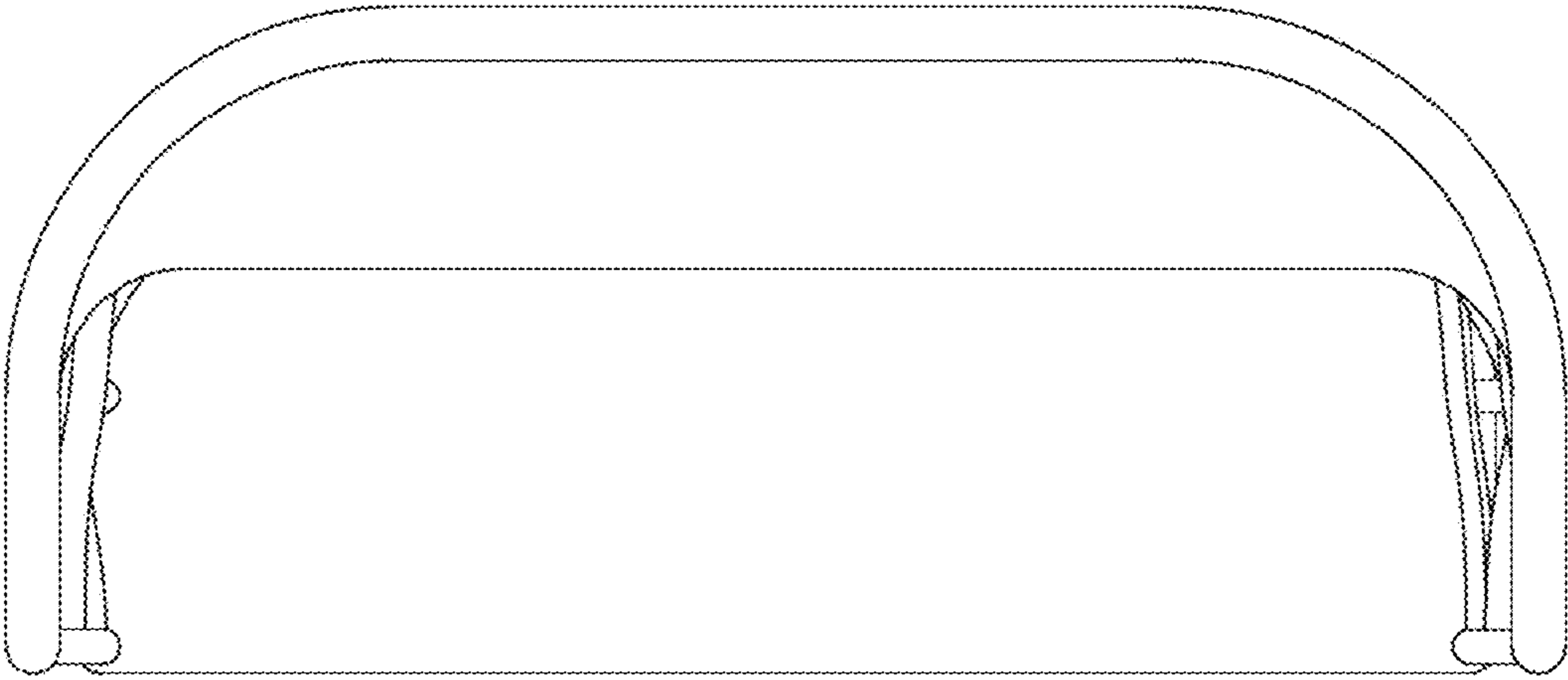


FIG. 4

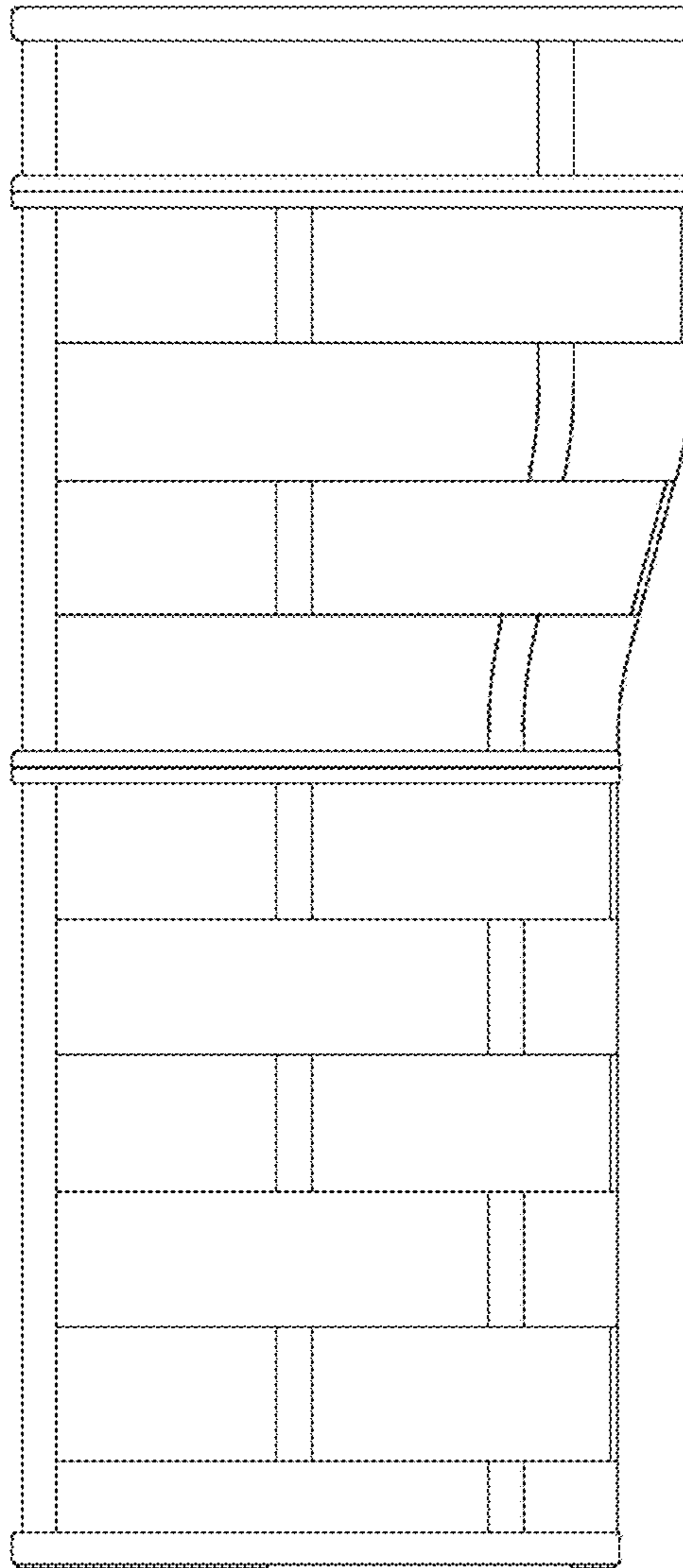


FIG. 5

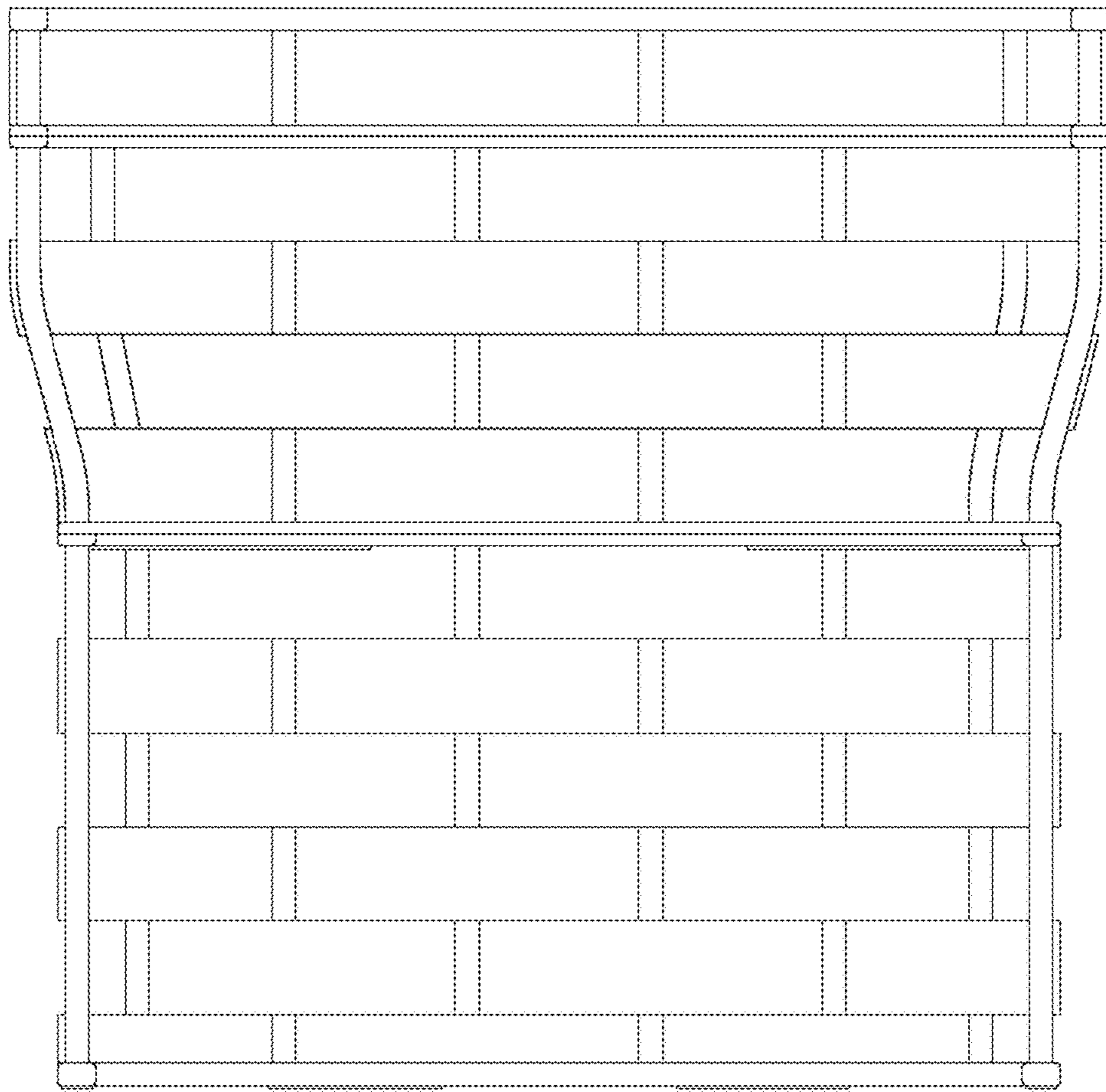


FIG. 6

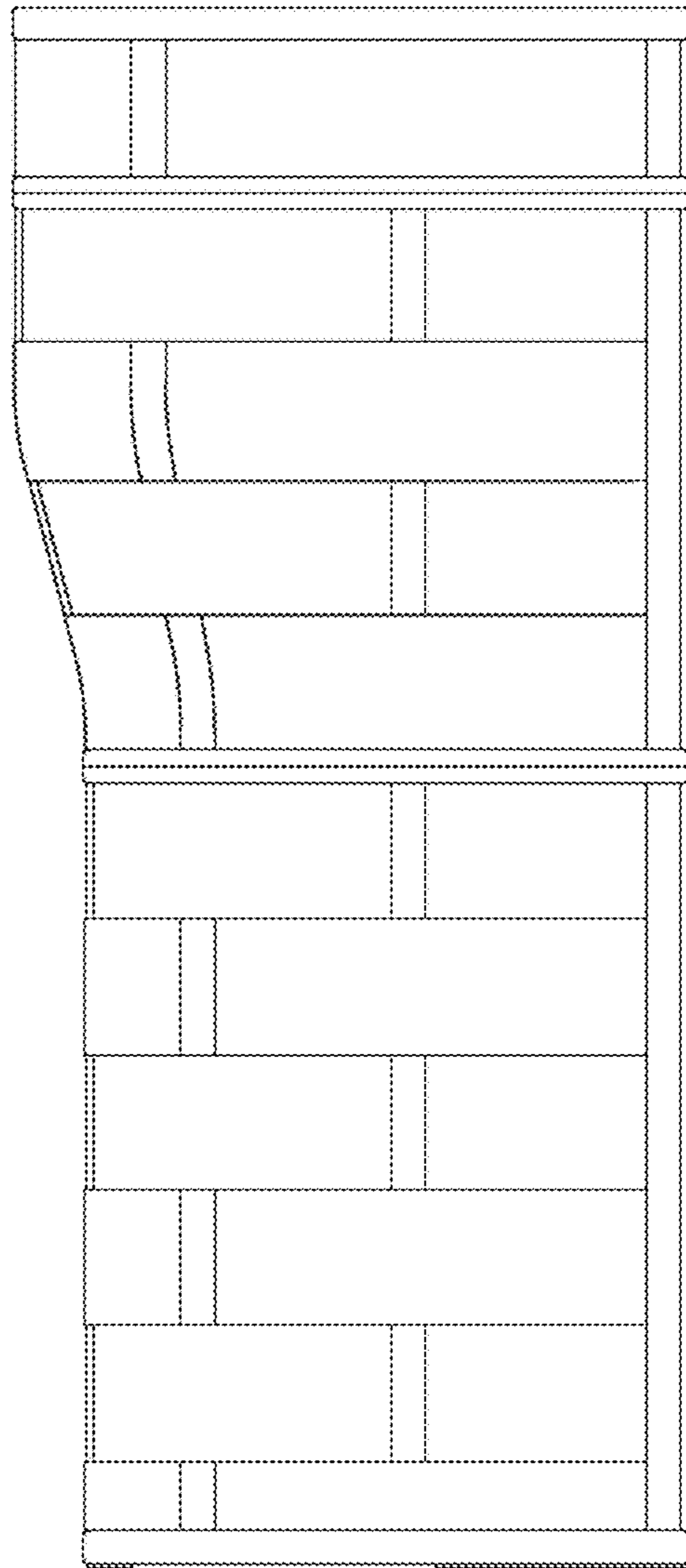


FIG. 7