



US00D832621S

(12) **United States Design Patent**
Shaw

(10) **Patent No.:** **US D832,621 S**

(45) **Date of Patent:** **** Nov. 6, 2018**

(54) **FOLDABLE HEIGHT ADJUSTABLE
STANDING DESK**

(71) Applicant: **Timothy Neil Shaw**, Bournemouth
(GB)

(72) Inventor: **Timothy Neil Shaw**, Bournemouth
(GB)

(73) Assignee: **MEADOW SONG, LLC**, Fort Collins,
CO (US)

(**) Term: **15 Years**

(21) Appl. No.: **29/563,551**

(22) Filed: **May 5, 2016**

(51) **LOC (11) Cl.** **06-30**

(52) **U.S. Cl.**

USPC **D6/642; D6/654**

(58) **Field of Classification Search**

USPC D6/641, 642, 648, 648.2, 654, 654.1,
D6/654.21, 655.16, 698, 702, 707,
D6/707.15, 707.19

CPC A47B 1/00; A47B 7/00; A47B 9/00; A47B
9/06; A47B 9/10; A47B 9/16; A47B
2009/003; A47B 2009/065; A47B 11/00;
A47B 13/00; A47B 13/081; A47B 21/00;
A47B 21/0073; A47B 21/02; A47B
2200/005; A47B 2200/064

See application file for complete search history.

(56) **References Cited**

U.S. PATENT DOCUMENTS

2,628,141 A * 2/1953 Scheuer A47F 5/0043
108/101
4,109,961 A * 8/1978 Opsvik A47C 3/20
108/110

5,088,420 A * 2/1992 Russell A47B 21/00
108/106
D372,817 S * 8/1996 Stevens A47B 9/18
D6/698
D441,094 S * 4/2001 Hawe A47B 21/02
D25/65
9,486,071 B2 * 11/2016 Nassif A47B 21/02
D774,812 S * 12/2016 Nafziger A47F 5/0043
D6/698
9,554,644 B2 * 1/2017 Flaherty A47B 9/18
D785,386 S * 5/2017 Flaherty D6/707.15
9,642,452 B2 * 5/2017 Fechey-Lippens A47B 9/06

* cited by examiner

Primary Examiner — Mary Ann Calabrese

(74) *Attorney, Agent, or Firm* — Dunlap Bennett &
Ludwig PLLC; Brendan E. Squire

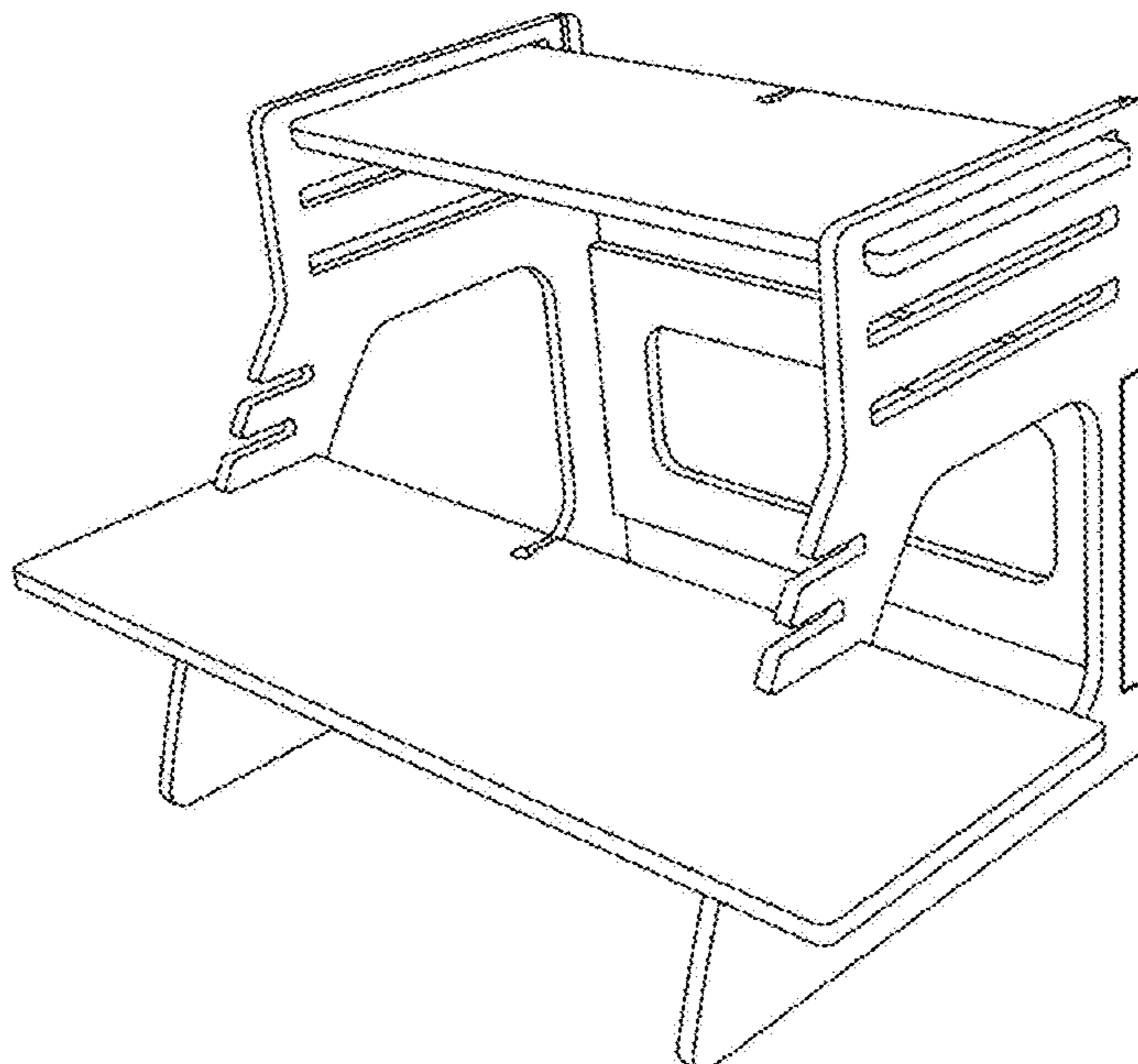
(57) **CLAIM**

The ornamental design for a foldable height adjustable
standing desk, as shown and described.

DESCRIPTION

FIG. 1 is a front perspective view of the foldable height
adjustable standing desk;
FIG. 2 is a rear perspective view thereof;
FIG. 3 is a front elevation view thereof;
FIG. 4 is rear elevation view thereof;
FIG. 5 is a top plan view thereof;
FIG. 6 is a bottom plan view thereof;
FIG. 7 is a right side elevation view thereof; and,
FIG. 8 is a left side elevation view thereof.

1 Claim, 8 Drawing Sheets



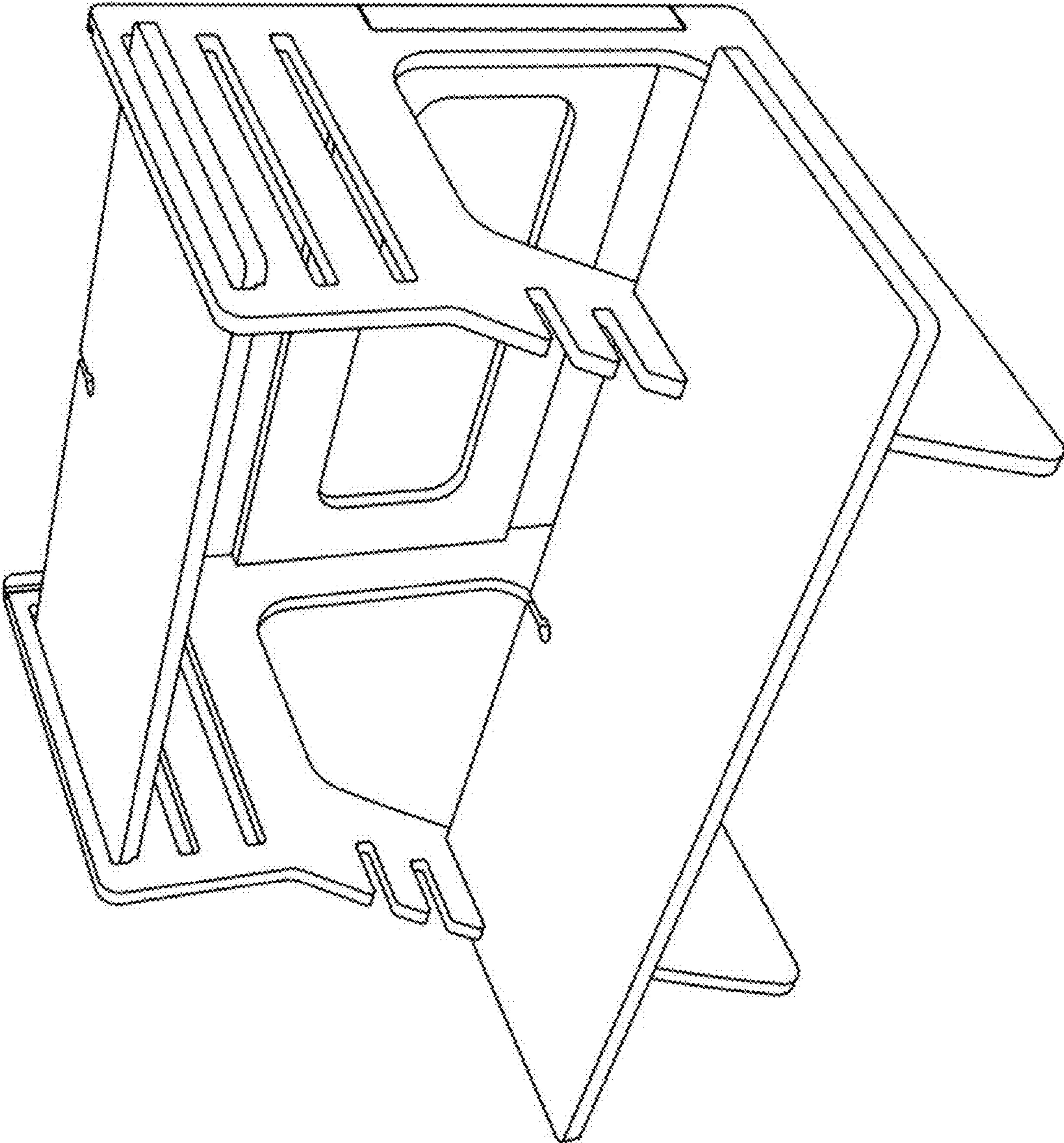


Fig. 1

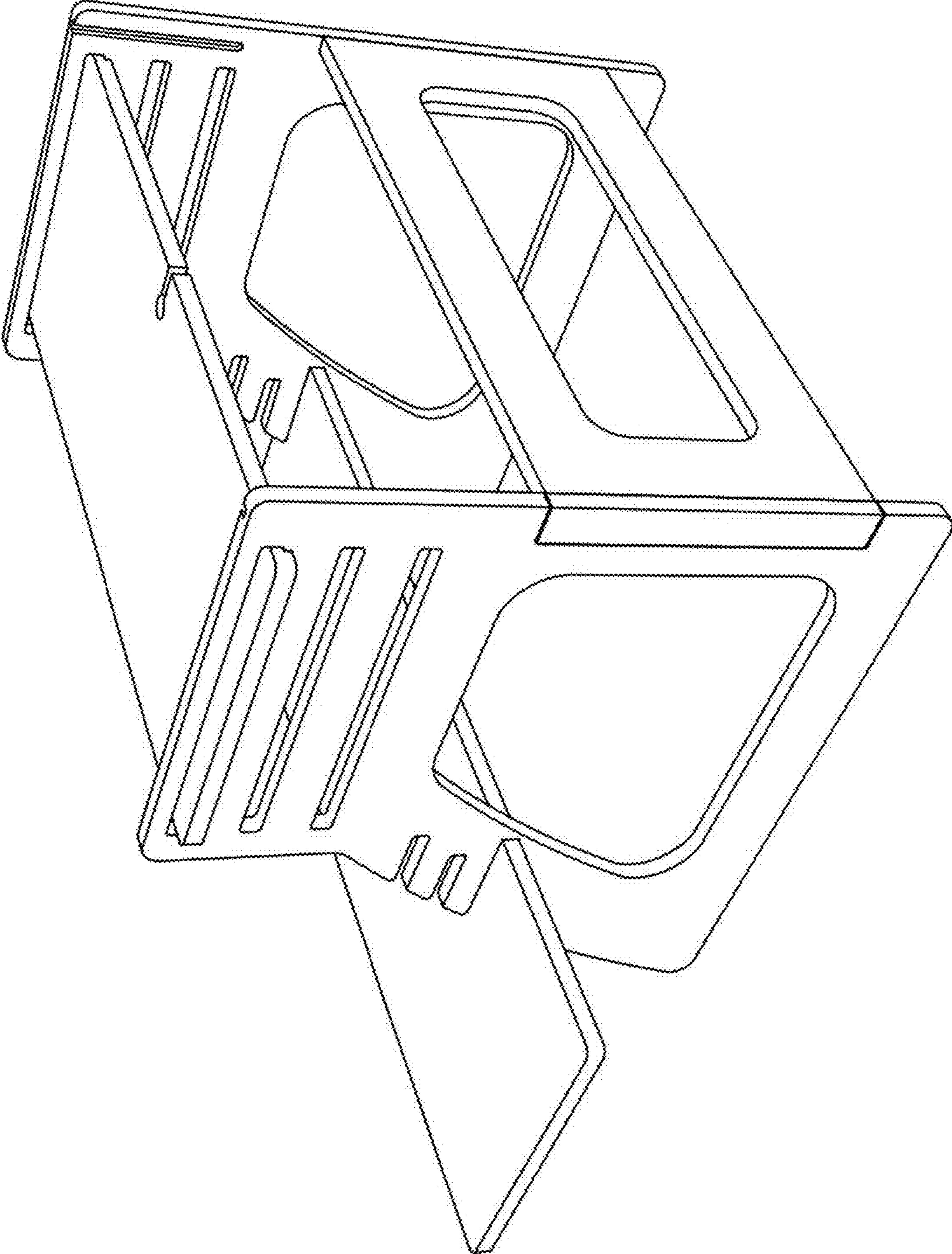


Fig. 2

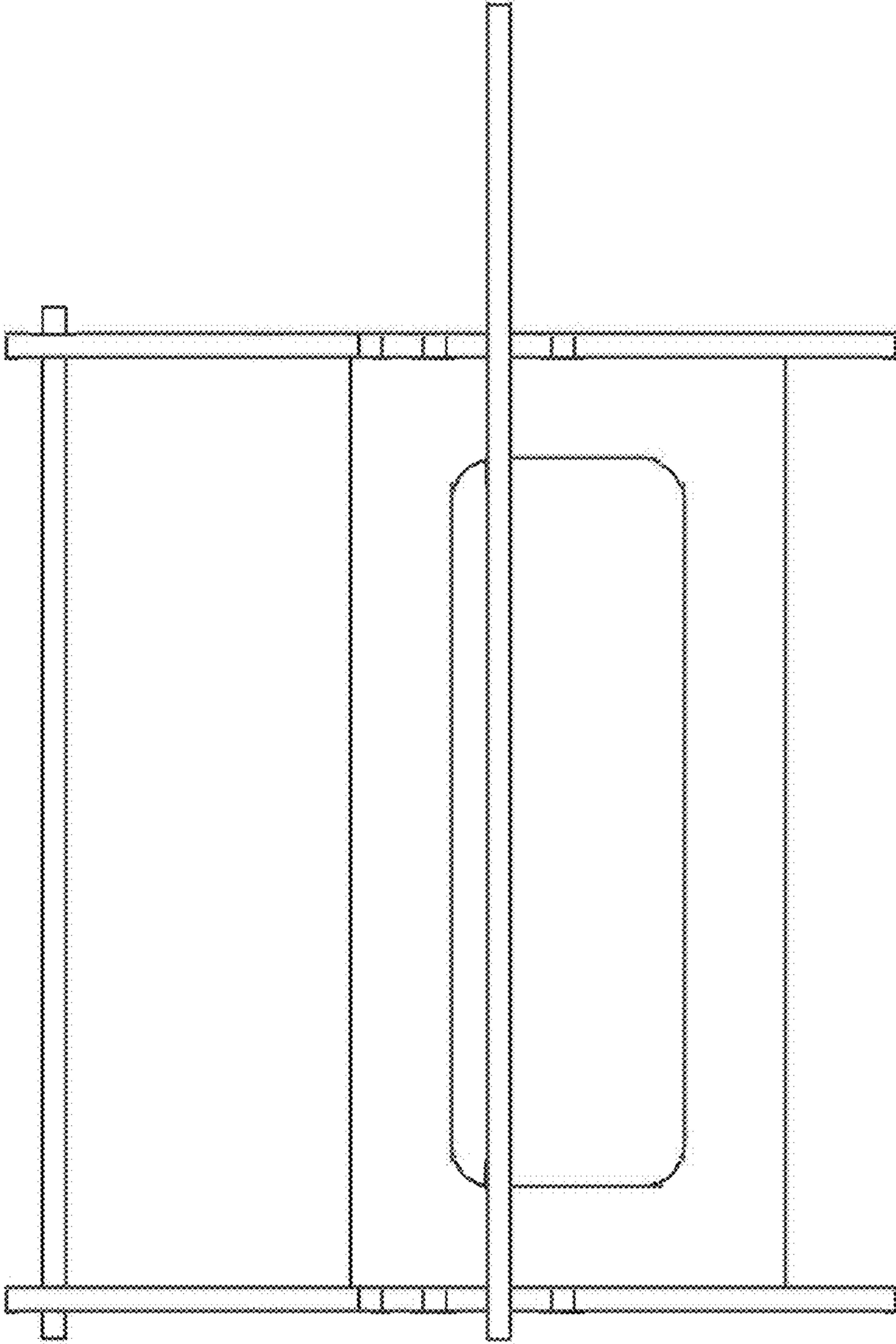


Fig. 3

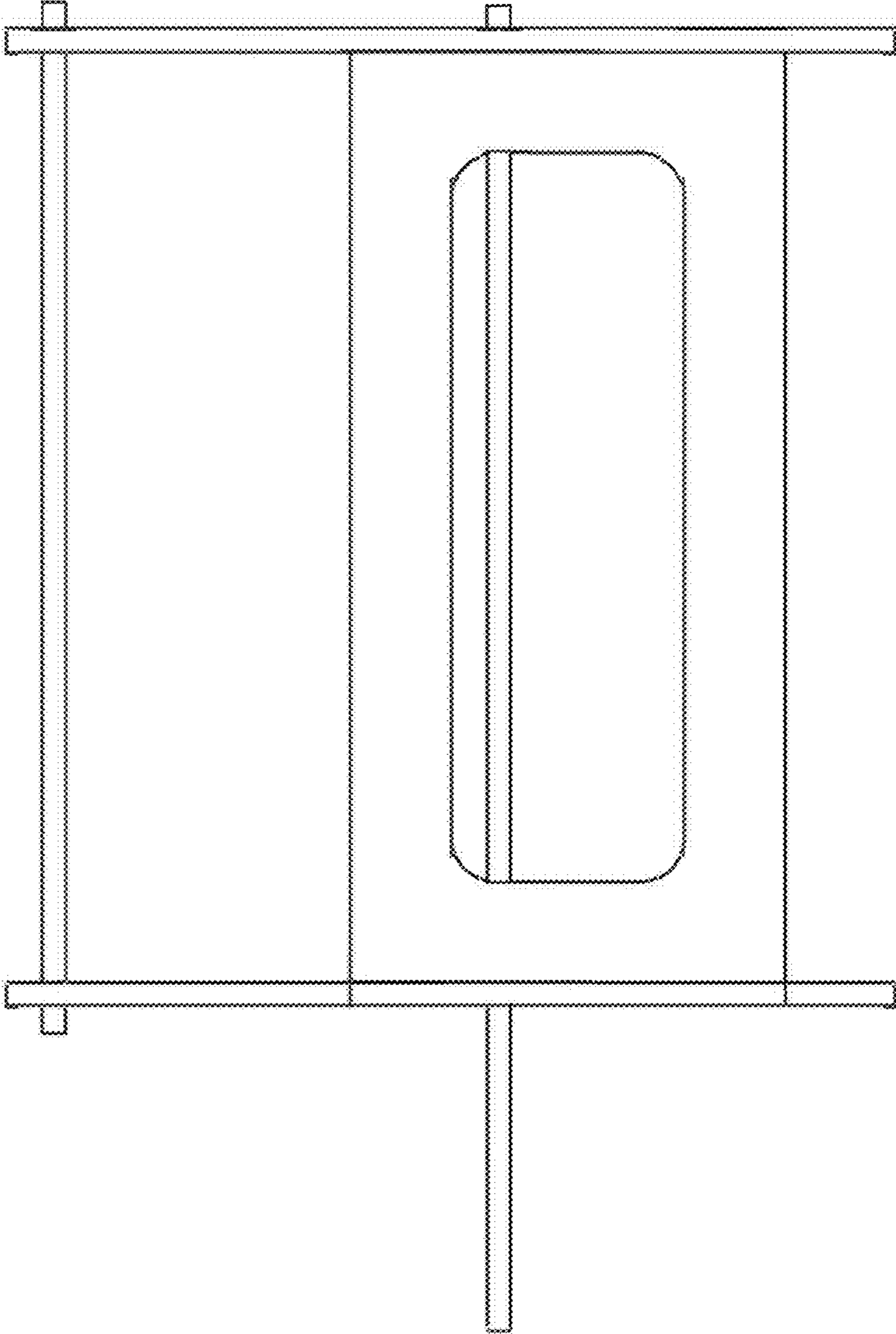


Fig. 4

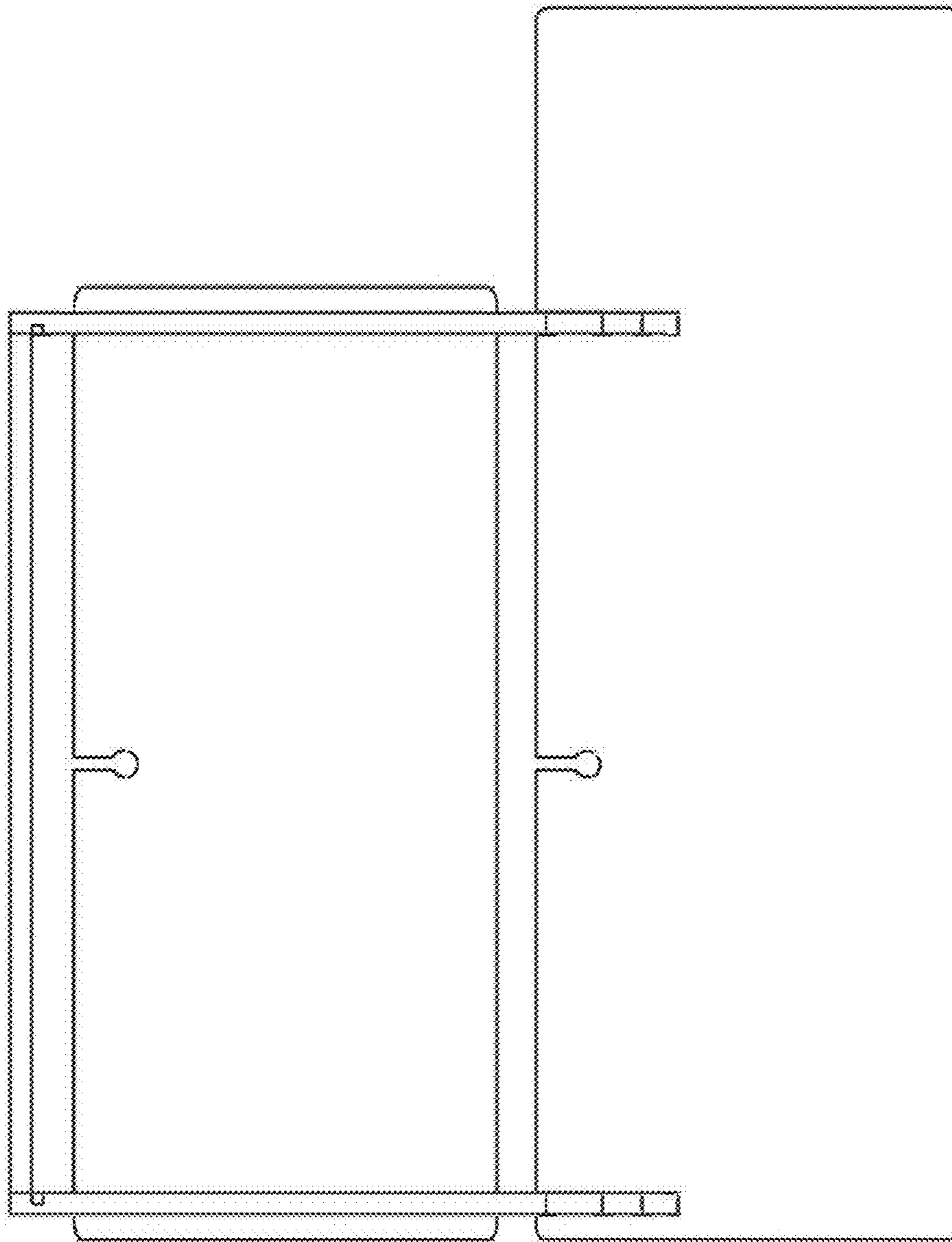


Fig. 5

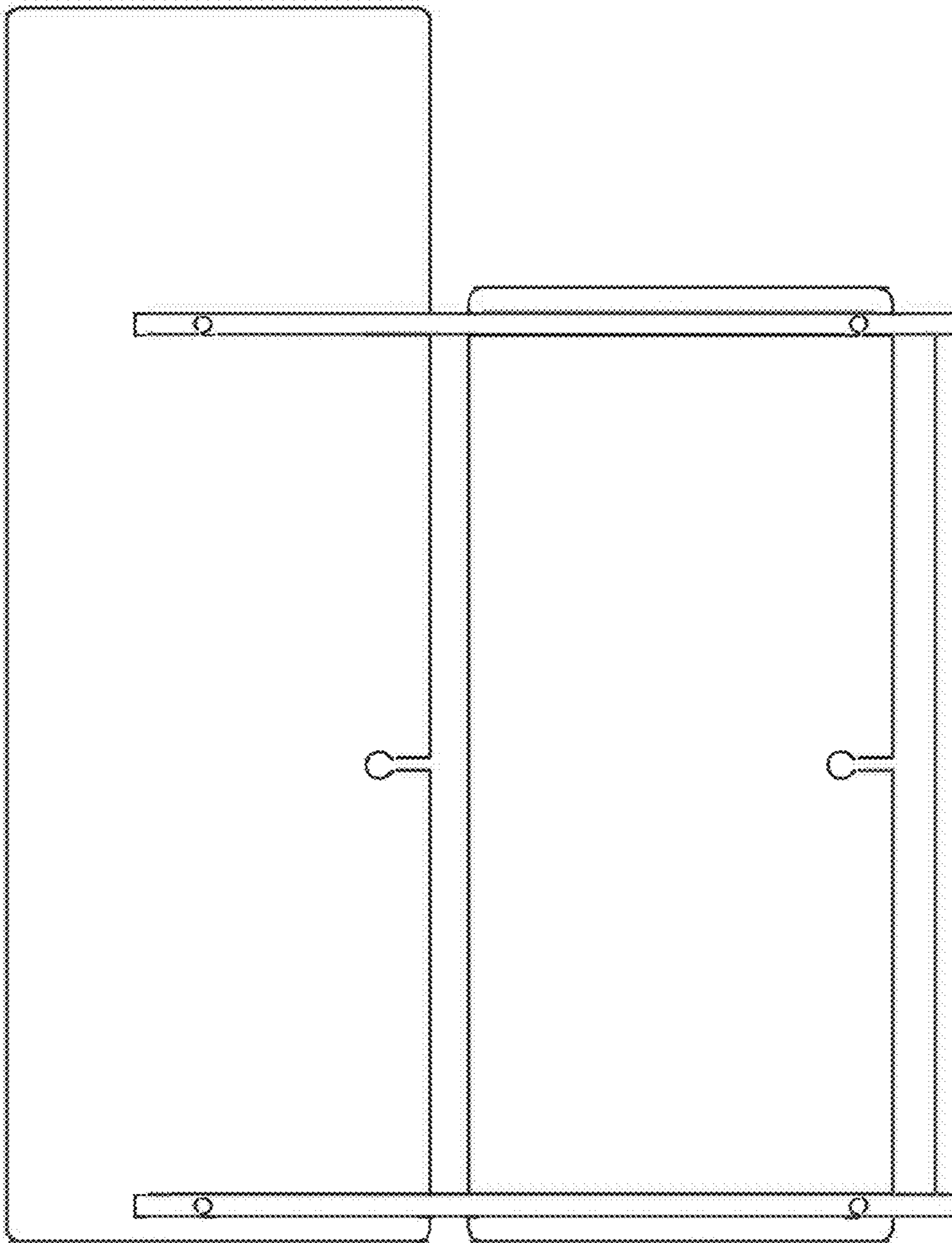


Fig. 6

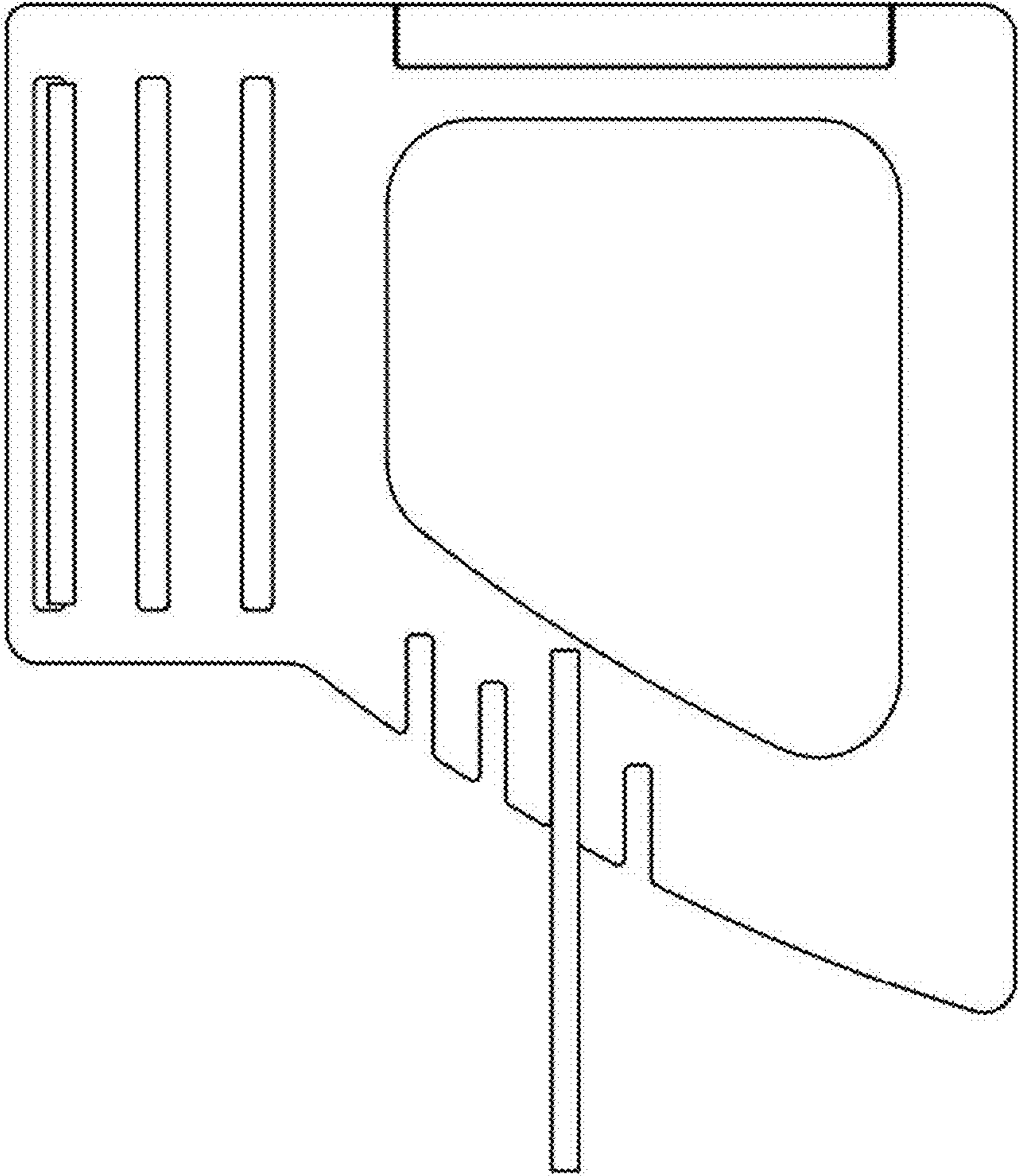


Fig. 7

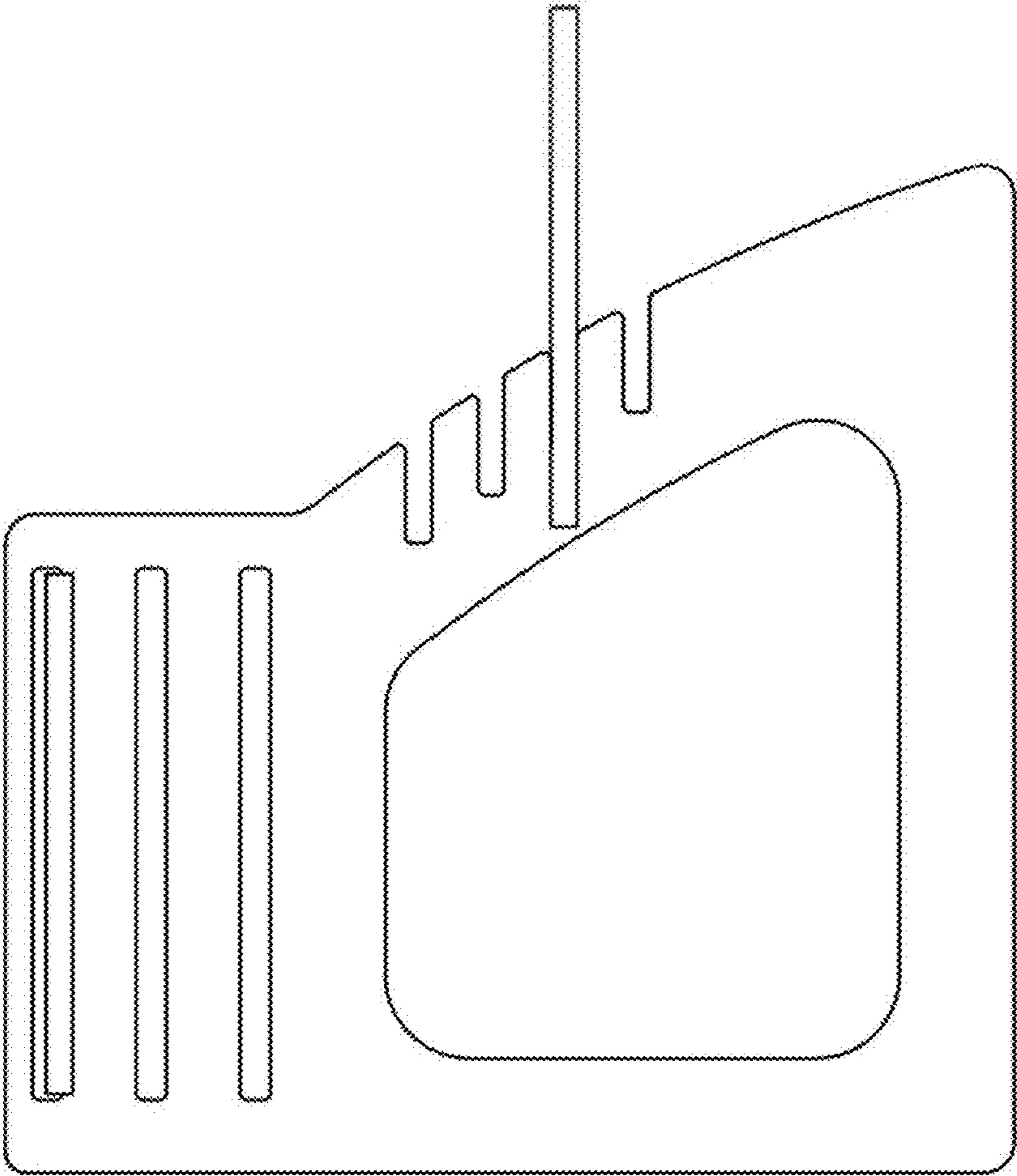


Fig. 8