



US00D832616S

(12) **United States Design Patent** (10) **Patent No.:** **US D832,616 S**
Soto-Camacho et al. (45) **Date of Patent:** **** Nov. 6, 2018**

(54) **PILLOW**
(71) Applicant: **mimish, Inc.**, Brooklyn, NY (US)
(72) Inventors: **Andrea Soto-Camacho**, Brooklyn, NY (US); **Jennifer Laforest**, Brooklyn, NY (US)
(73) Assignee: **mimish, Inc.**, Brooklyn, NY (US)

6,588,036 B1 * 7/2003 Hort A45F 4/06
5/413 R
D523,678 S * 6/2006 Ferber A47G 9/10
D6/601
D628,423 S * 12/2010 Kratzer D6/601
D629,204 S * 12/2010 Spira 150/112
D651,841 S * 1/2012 Nayman D6/601
D693,142 S * 11/2013 Bohl D19/3
9,314,118 B2 * 4/2016 Blazar A47G 9/1027
D774,803 S * 12/2016 Domkam D6/601

(Continued)

(**) Term: **15 Years**

(21) Appl. No.: **29/594,896**

(22) Filed: **Feb. 23, 2017**

(51) **LOC (11) Cl.** **06-09**

(52) **U.S. Cl.**
USPC **D6/601**

(58) **Field of Classification Search**
USPC D6/333, 349, 355, 375, 388, 512, 563,
D6/564, 595, 596, 601, 604, 611, 707,
D6/715, 716, 716.1; D24/183-185, 234;
D21/803, 804, 805, 809; 5/401, 420,
5/600, 630, 631, 632, 633, 635, 636, 638,
5/639, 646, 652, 652.1, 655, 703, 730;
297/1, 2, 4, 93, 180.11, 195.1, 195.11,
297/195.13, 393, 397, 452.12, 452.14,
297/452.15, 452.21, 452.24, 452.26,
297/452.48, 452.62, 482
CPC A47G 9/10; A47G 9/1009; A47G 9/1027;
A47G 9/1045; A47G 9/1063; A47G
9/1072; A47G 9/1081
See application file for complete search history.

(56) **References Cited**

U.S. PATENT DOCUMENTS

D284,520 S * 7/1986 Handler D29/119
D309,392 S * 7/1990 Hafvenstein D6/601
5,279,237 A * 1/1994 Alivizatos A47K 3/001
112/475.05

OTHER PUBLICATIONS

Mimish "Artist" Storage Pillow, earliest review Feb. 4, 2018, [online], [site visited Mar. 30, 2018]. Available from Internet, <URL: <https://mimishdesigns.com/collections/storage-pillow/products/the-artist-storage-pillow-2>> (Year: 2018).*

(Continued)

Primary Examiner — Eric L Goodman
Assistant Examiner — Sanjeev Paul
(74) *Attorney, Agent, or Firm* — Sheppard, Mullin, Richter & Hampton LLP

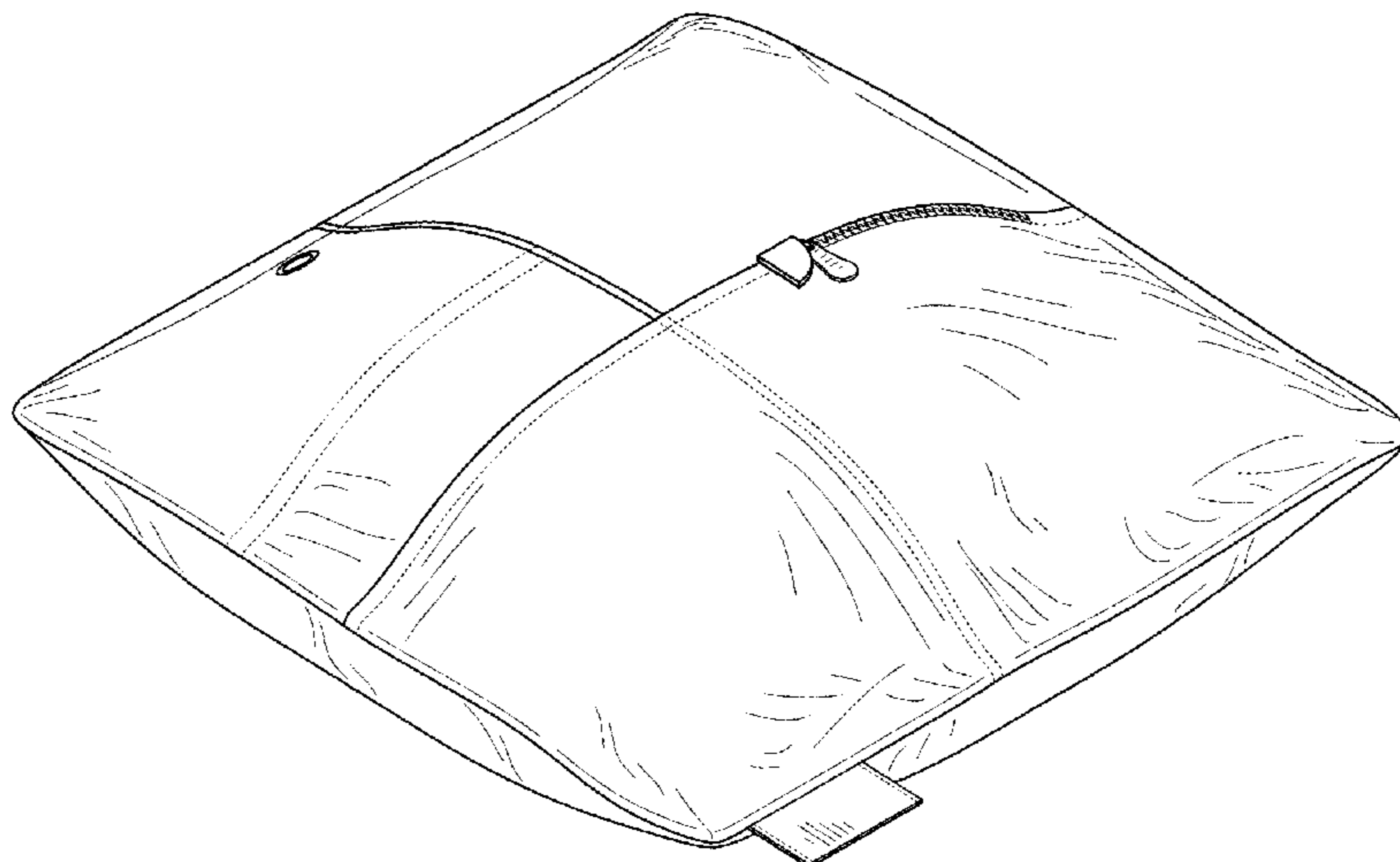
(57) **CLAIM**

We claim the ornamental design for a pillow, as shown and described.

DESCRIPTION

FIG. 1 is a front, right perspective view of a pillow embodying our new design;
FIG. 2 is a top plan view of the pillow;
FIG. 3 is a bottom plan view of the pillow;
FIG. 4 is a right side elevational view of the pillow;
FIG. 5 is a left side elevational view of the pillow;
FIG. 6 is a rear side elevational view of the pillow; and,
FIG. 7 is a front side elevational view of the pillow.
The broken lines in FIGS. 1, 2, 4, 5 and 7 represent stitching that forms part of the claimed design.

1 Claim, 4 Drawing Sheets



(56)

References Cited

U.S. PATENT DOCUMENTS

D805,326 S * 12/2017 Soto-Camacho D6/601
2012/0222218 A1 * 9/2012 Davis A47G 9/10
5/490

OTHER PUBLICATIONS

Mimish Naturalist Storage Pillow with Pockets and Exposed Cargo W/Snap, earliest review Mar. 26, 2018, [online], [site visited Mar. 30, 2018]. Available from Internet, <URL: https://www.amazon.com/Mimish-Naturalist-Storage-Horizontal-Jellyfish/dp/B077PVS5KP?ref=ast_p_ei#customerReviews> (Year: 2018).*

* cited by examiner

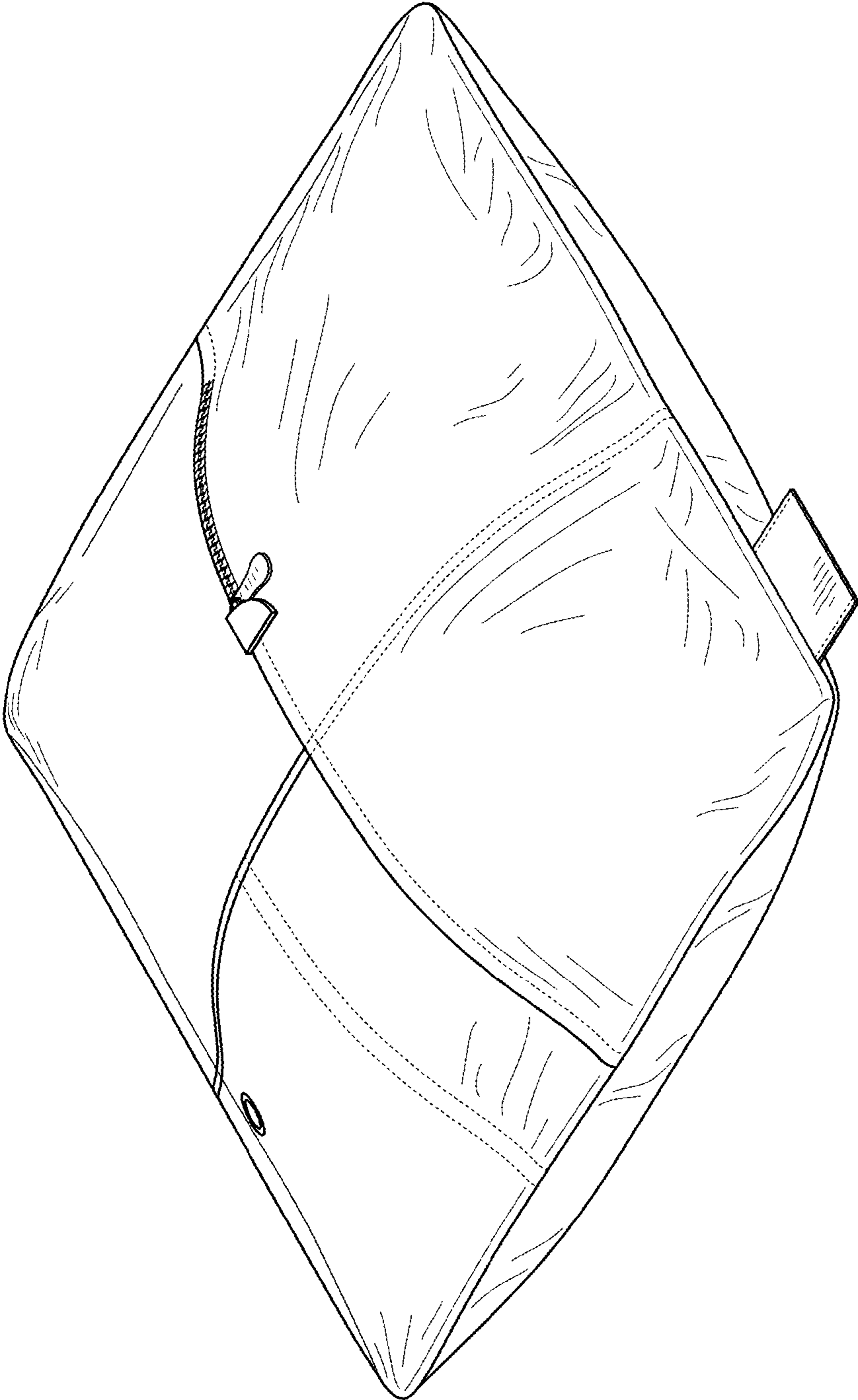


FIG. 1

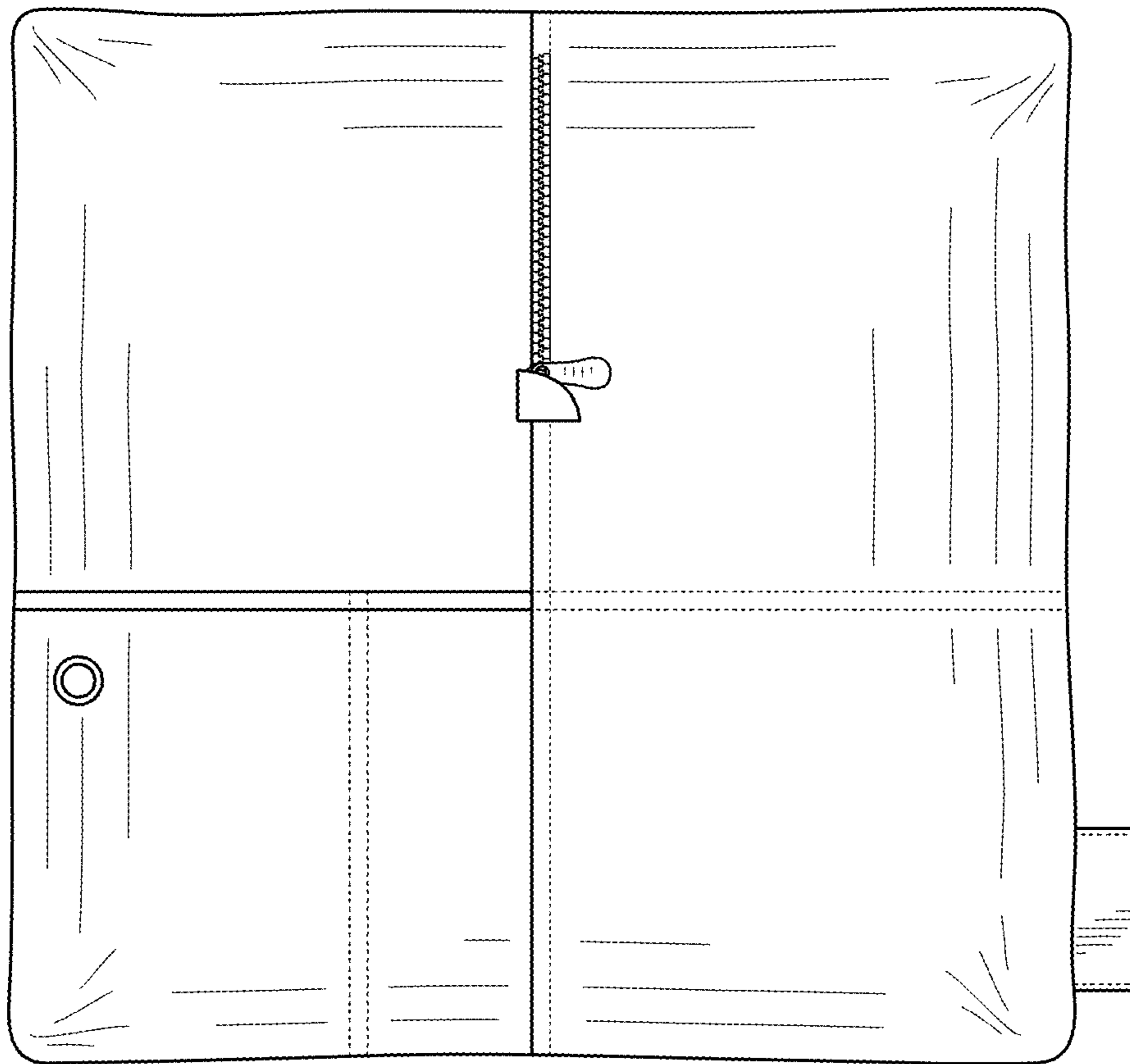


FIG. 2

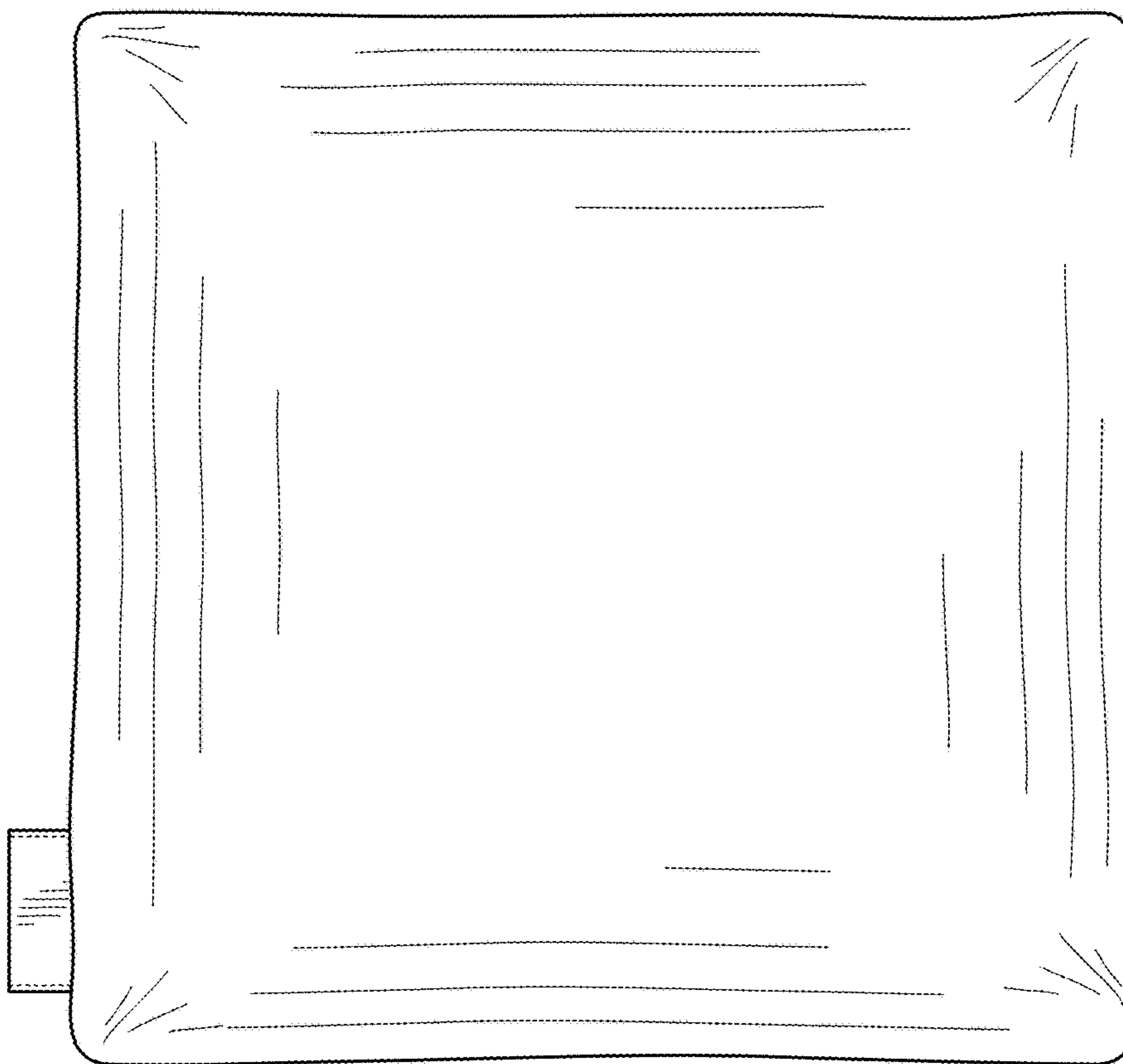


FIG. 3

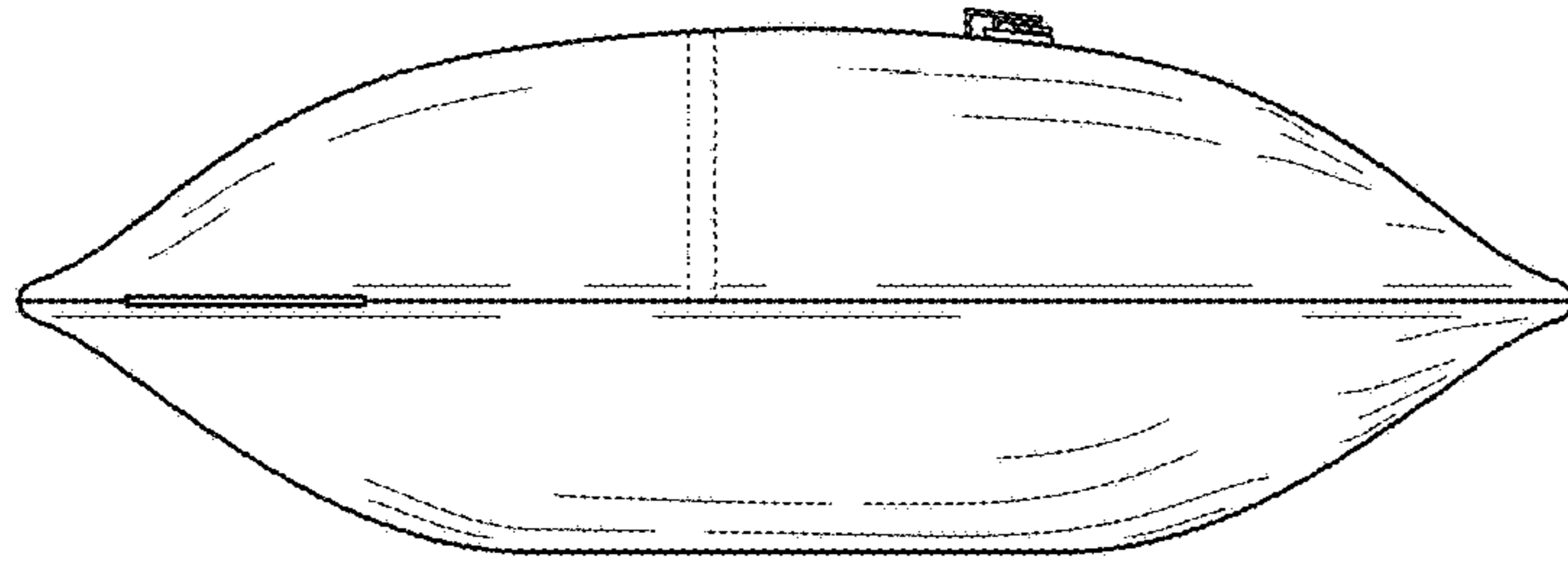


FIG. 4

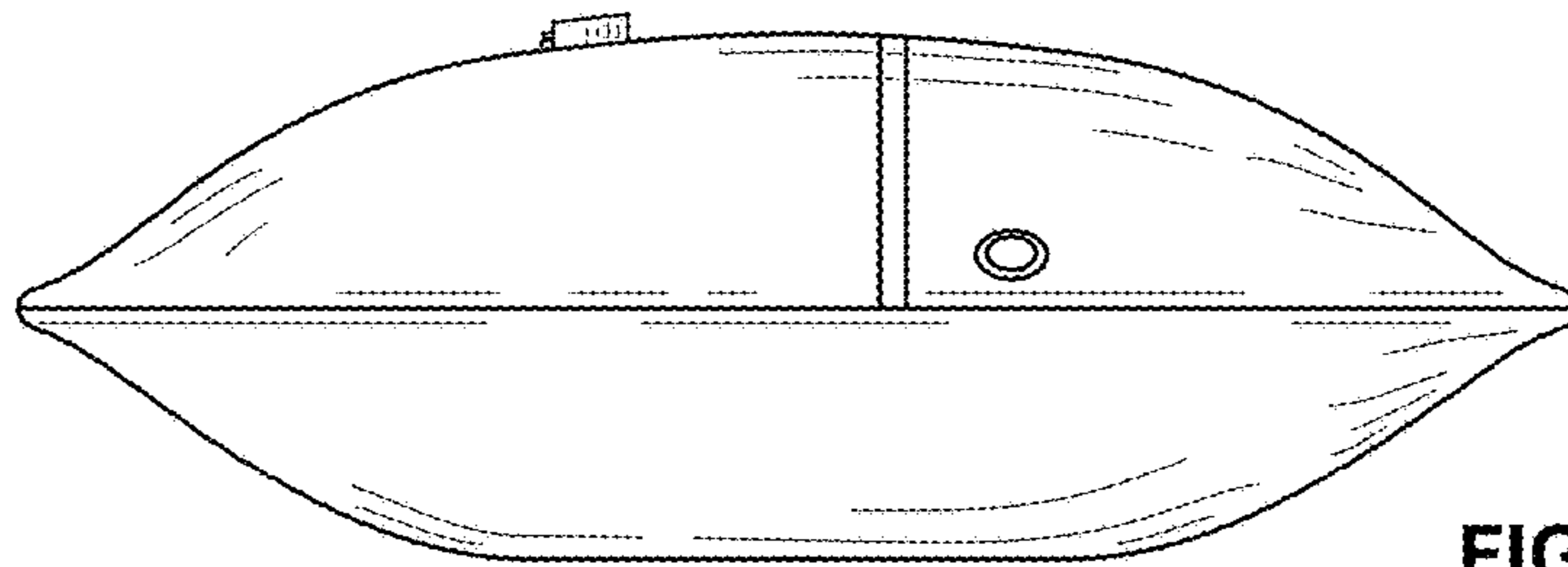


FIG. 5

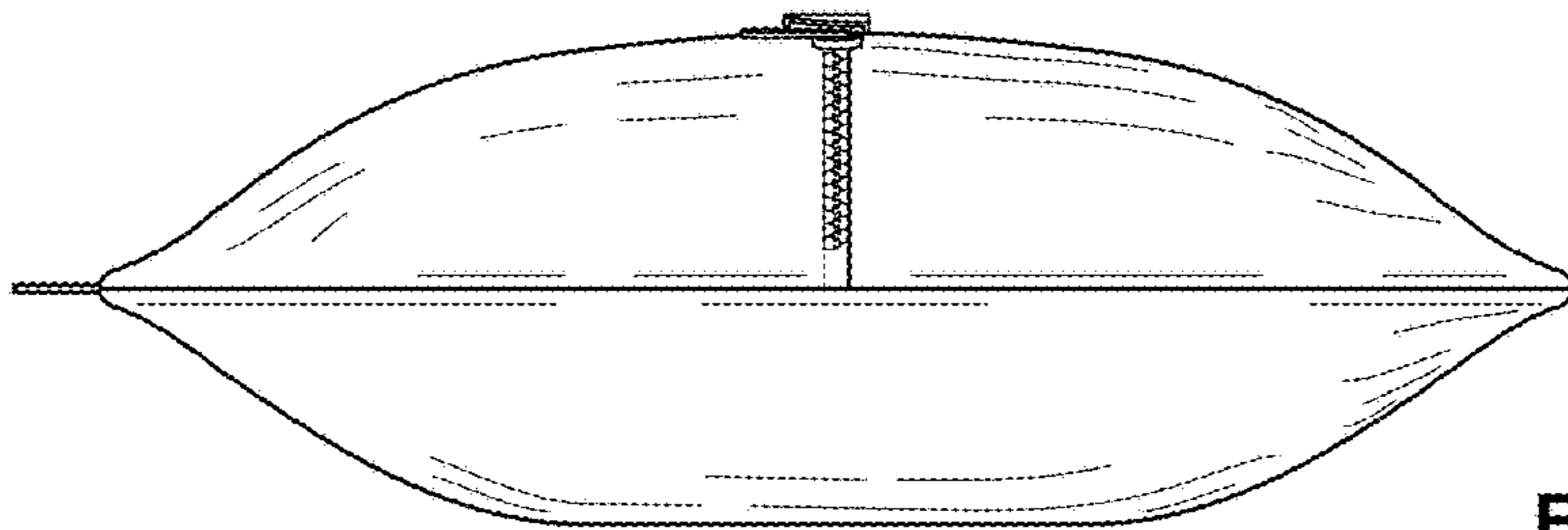


FIG. 6

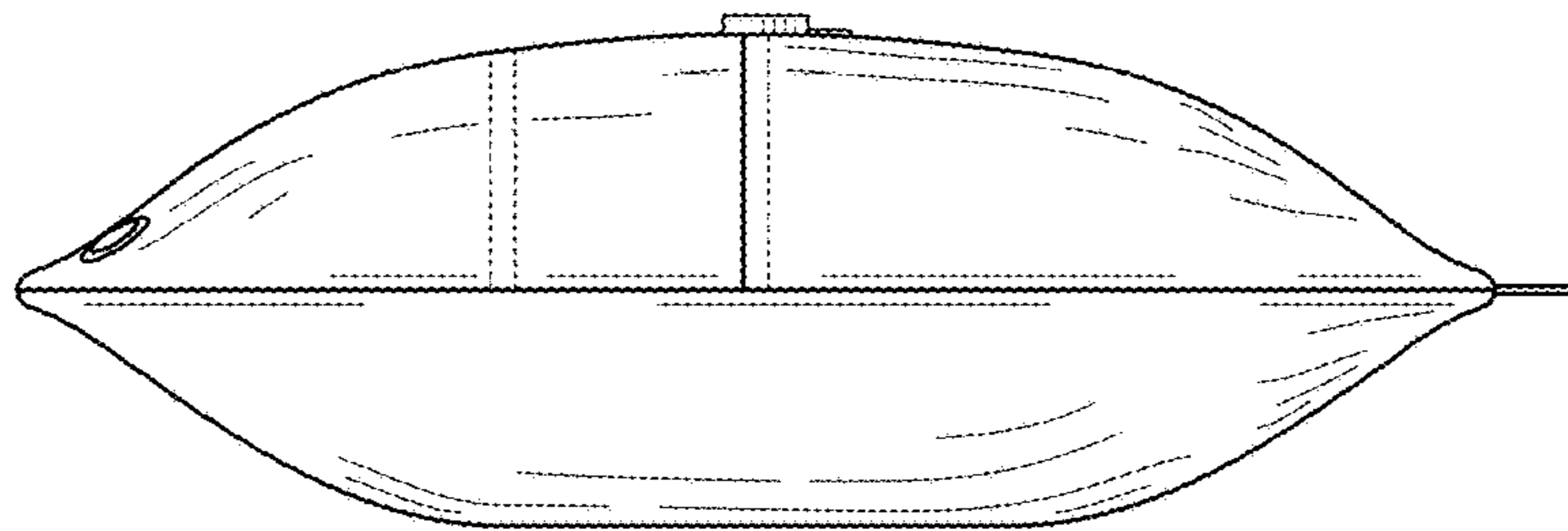


FIG. 7