



US00D832615S

(12) **United States Design Patent**
Searles

(10) **Patent No.:** **US D832,615 S**

(45) **Date of Patent:** **** Nov. 6, 2018**

(54) **PILLOW**

(71) Applicant: **City Global, Inc.**, Los Angeles, CA
(US)

(72) Inventor: **Michael Searles**, Valley Glen, CA (US)

(**) Term: **15 Years**

(21) Appl. No.: **29/570,721**

(22) Filed: **Jul. 11, 2016**

(51) **LOC (11) Cl.** **06-09**

(52) **U.S. Cl.**
USPC **D6/601**

(58) **Field of Classification Search**
USPC D6/596, 601, 374, 380, 716.4;
5/631-633, 636
CPC A47C 7/40; A47C 7/46; A47C 16/005;
A47C 7/021; A47C 7/022; A47G 9/10;
A47G 2009/1018; A47G 9/1036; A47G
9/1063; A47G 9/1081; A47G 9/109
See application file for complete search history.

(56) **References Cited**

U.S. PATENT DOCUMENTS

587,224	A *	7/1897	McKelvey	5/644
3,048,526	A *	8/1962	Boswell	A61J 3/10 424/472
D352,414	S *	11/1994	Butler	D6/597
D355,077	S *	2/1995	Tegner	D30/118
D373,920	S *	9/1996	Stephan	D21/443
D427,791	S *	7/2000	Peterson	D6/349
D456,660	S *	5/2002	Landvik	D6/601

D552,913	S *	10/2007	Boutin	D6/601
D553,413	S *	10/2007	Boutin	D6/601
D560,412	S *	1/2008	Fuchs	D6/601
D583,180	S *	12/2008	Haile	D6/601
D638,648	S *	5/2011	Carlomusto	D6/601
D758,672	S *	6/2016	Hansen	D30/118
D793,513	S *	8/2017	George, II	D21/803
D819,367	S *	6/2018	Meinhart	D6/601

* cited by examiner

Primary Examiner — R. Johnson

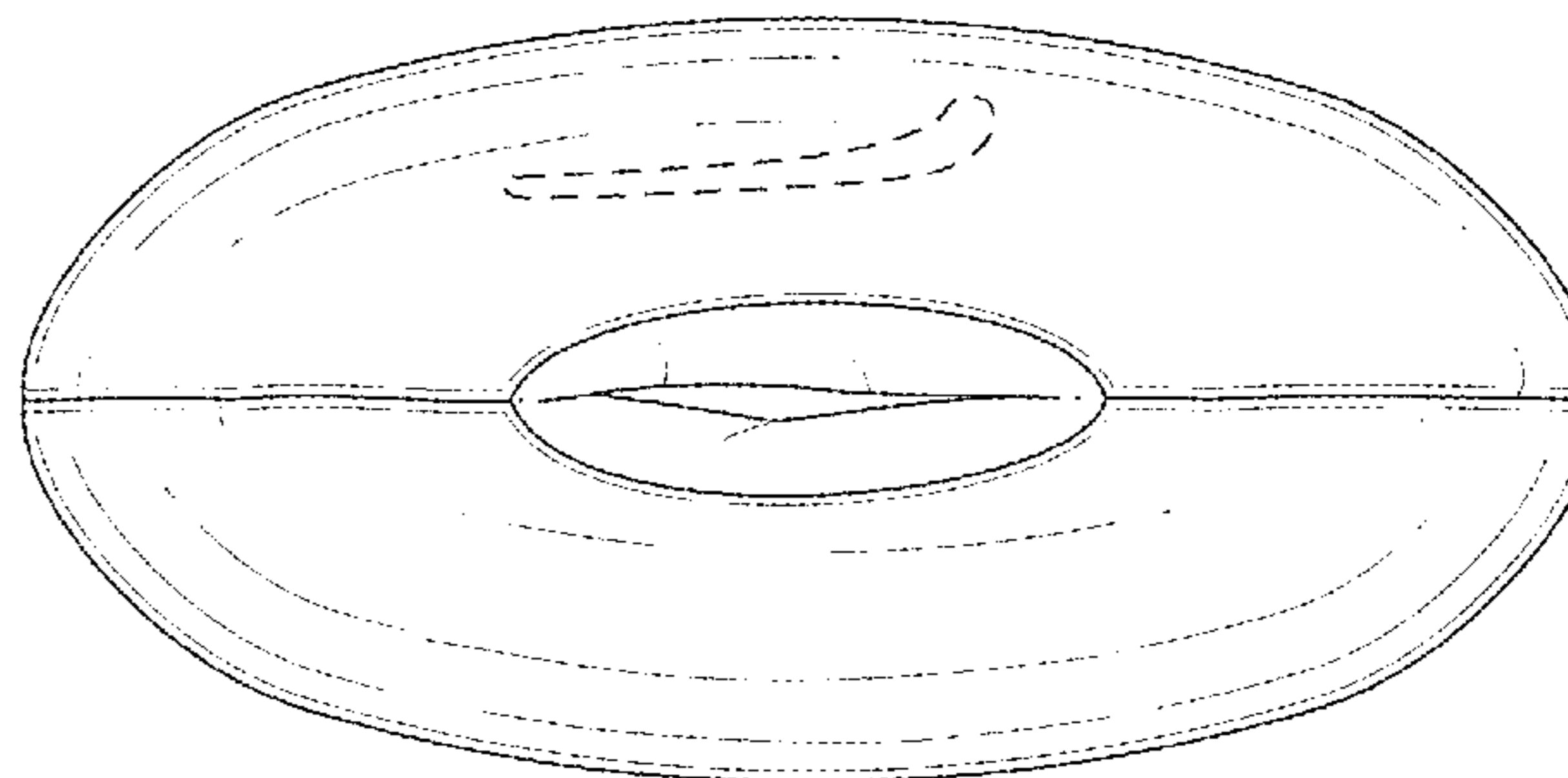
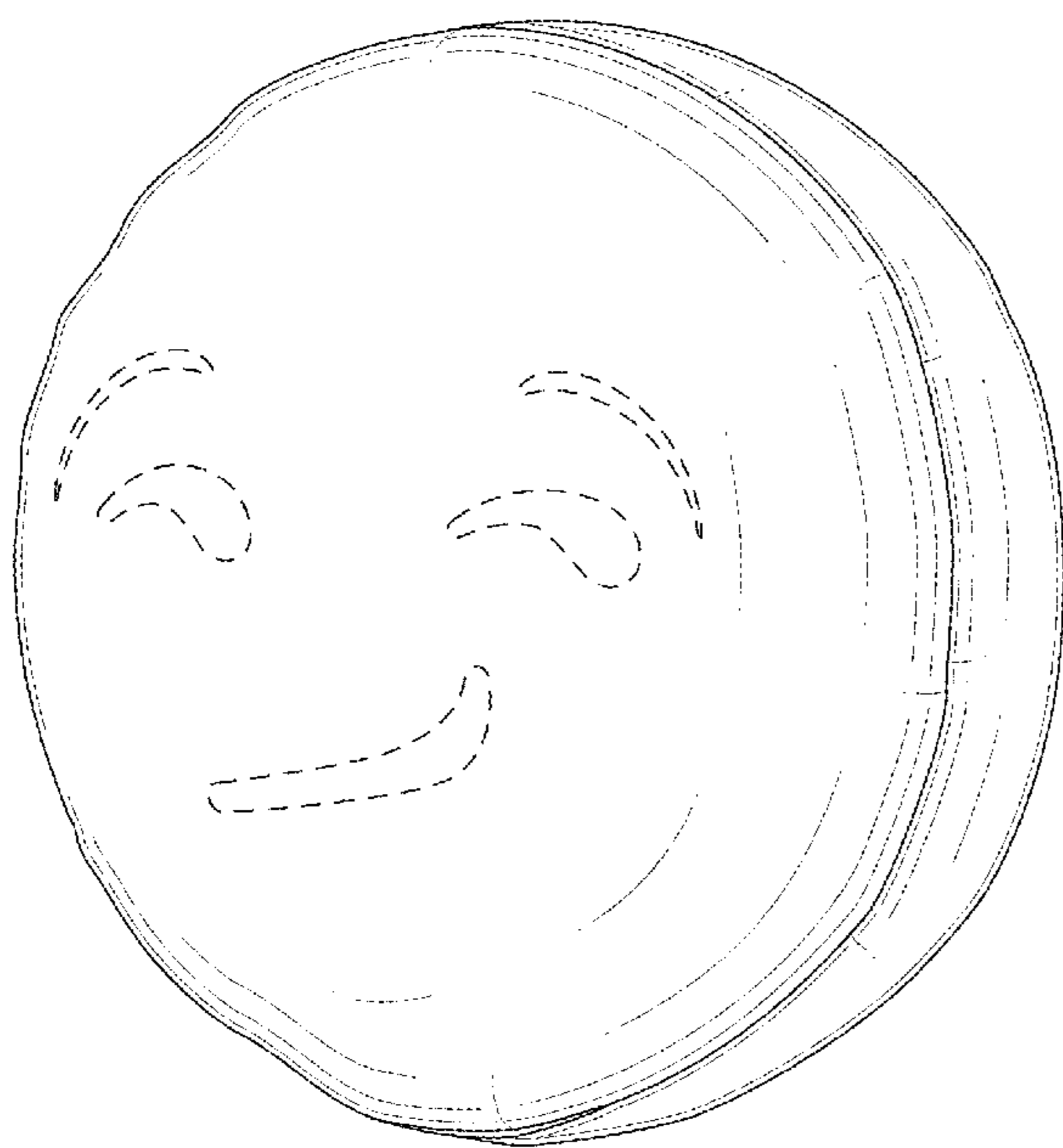
(57) **CLAIM**

The ornamental design for a pillow, as shown and described.

DESCRIPTION

FIG. 1 is a front right perspective view of the pillow;
 FIG. 2 is a front view of the pillow;
 FIG. 3 is a rear view of the pillow;
 FIG. 4 is a left side view of the pillow;
 FIG. 5 is the bottom view of the pillow;
 FIG. 6 is a partially inverted view of the pillow shown in FIG. 1;
 FIG. 7 is an inverted front right perspective view of the pillow;
 FIG. 8 is an inverted front view of the pillow;
 FIG. 9 is an inverted back view of the pillow;
 FIG. 10 is an inverted left side view of the pillow; and,
 FIG. 11 is an inverted bottom view of the pillow.
 In the drawings, the broken lines represent portions of the pillow that form no part of the claimed design.

1 Claim, 7 Drawing Sheets



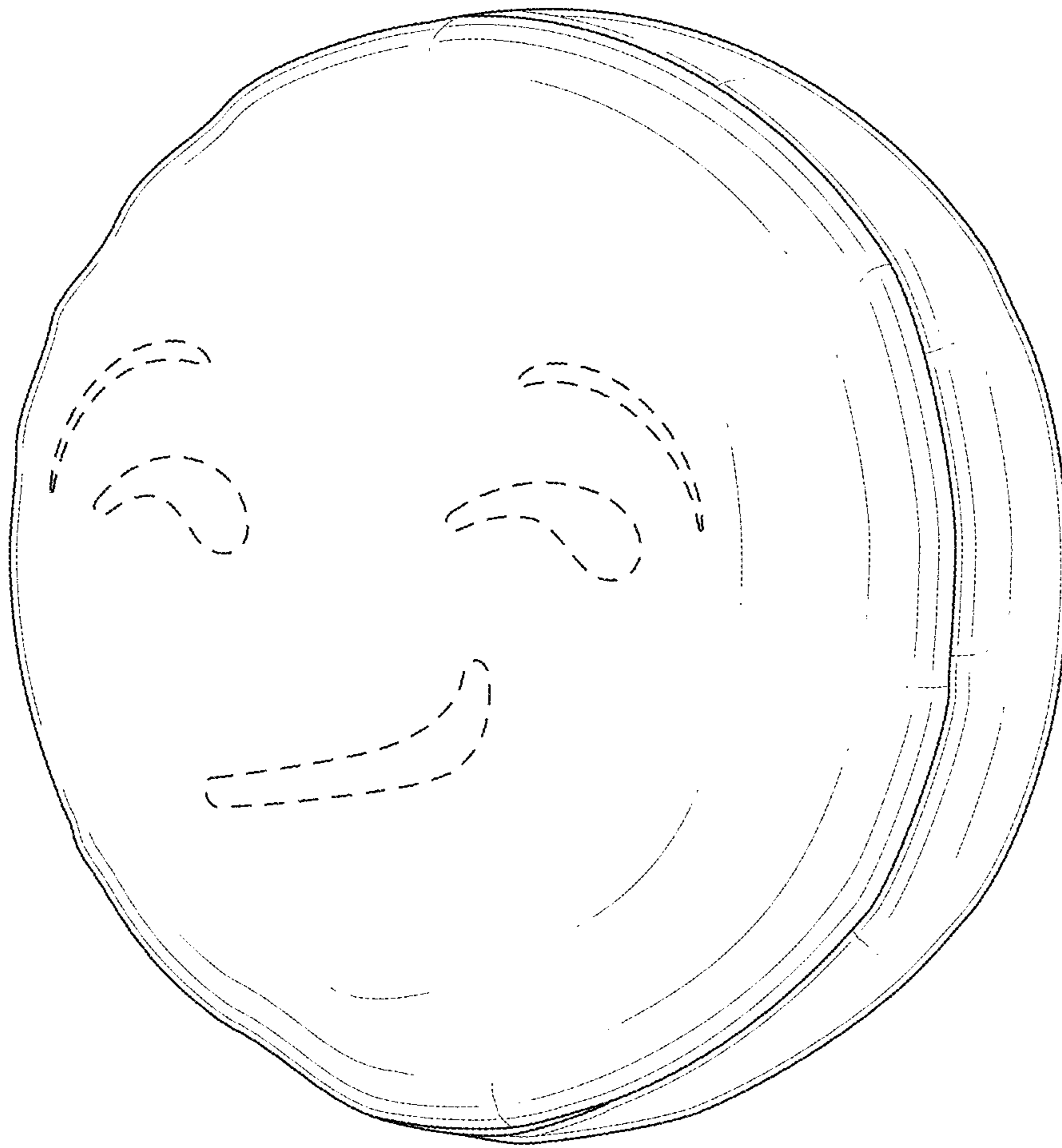


FIG. 1

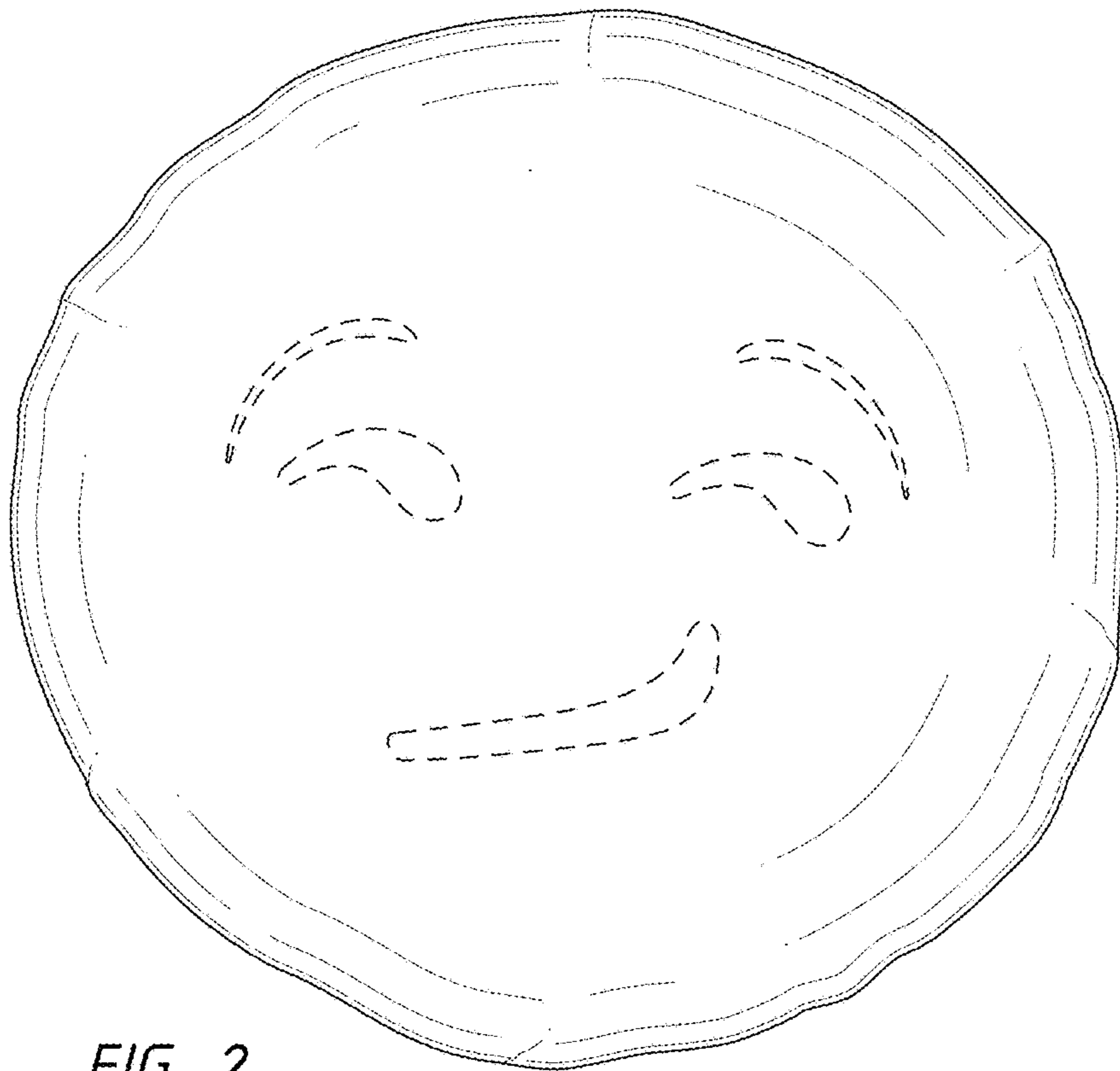


FIG. 2

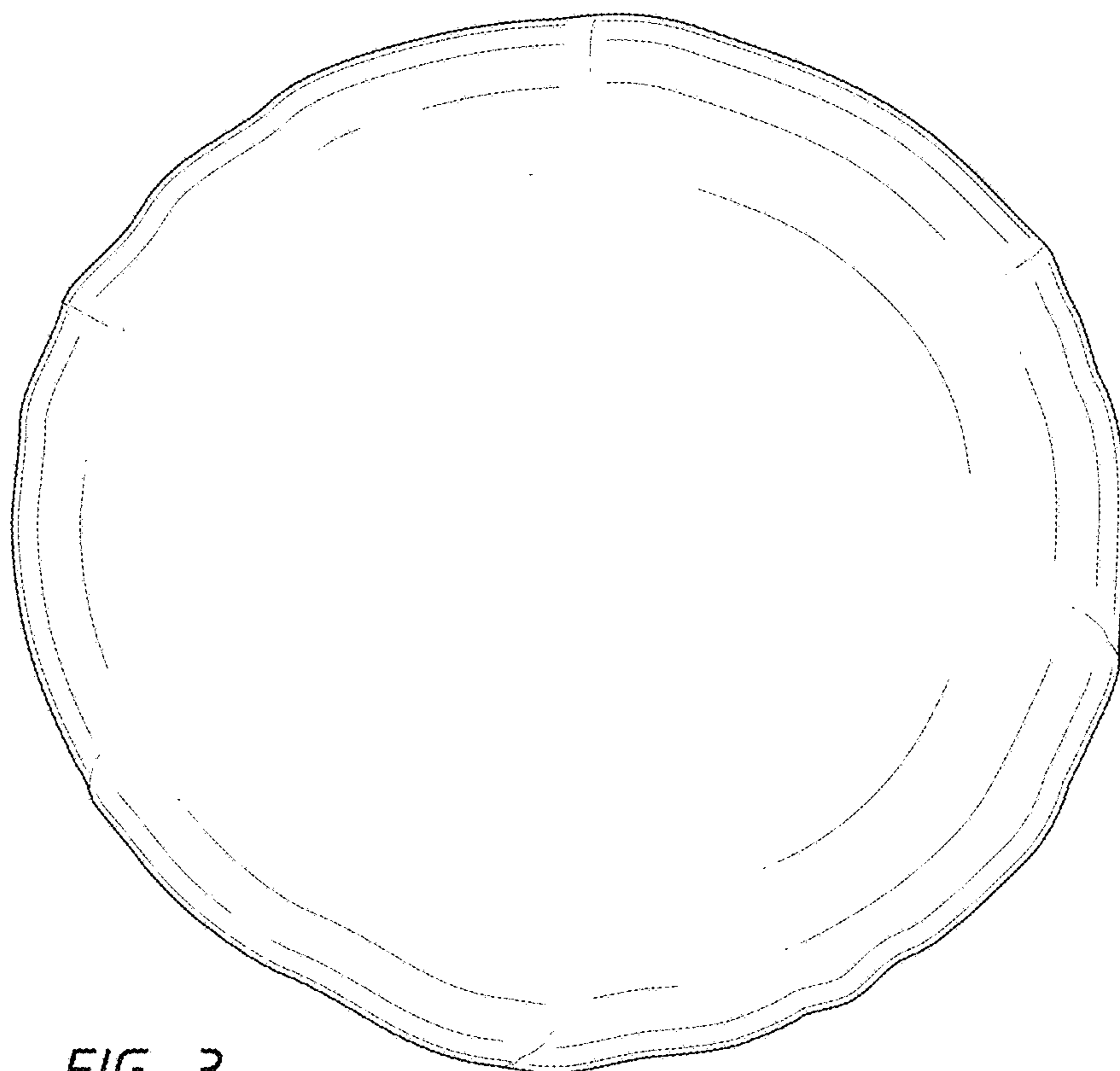


FIG. 3

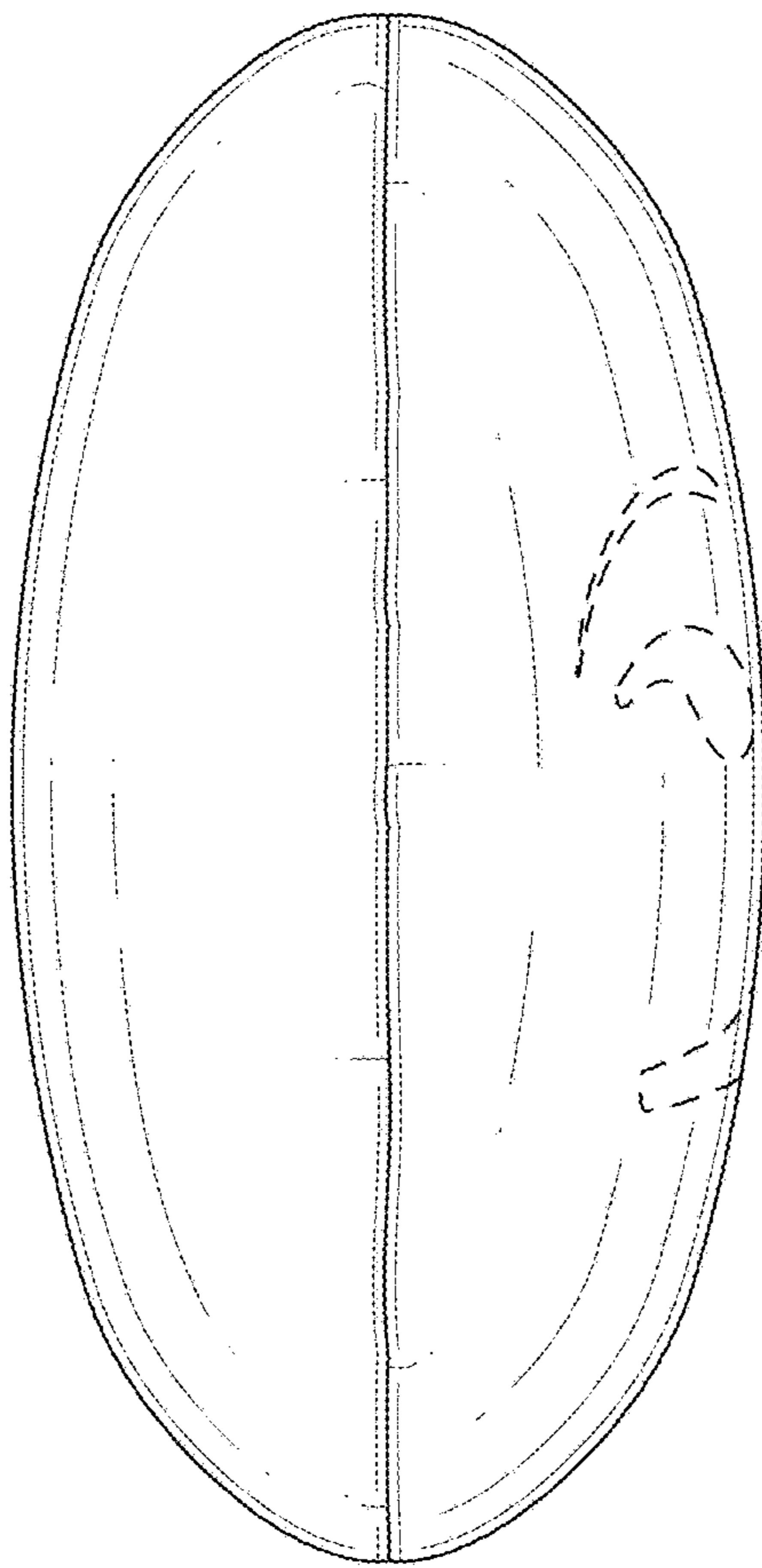


FIG. 4

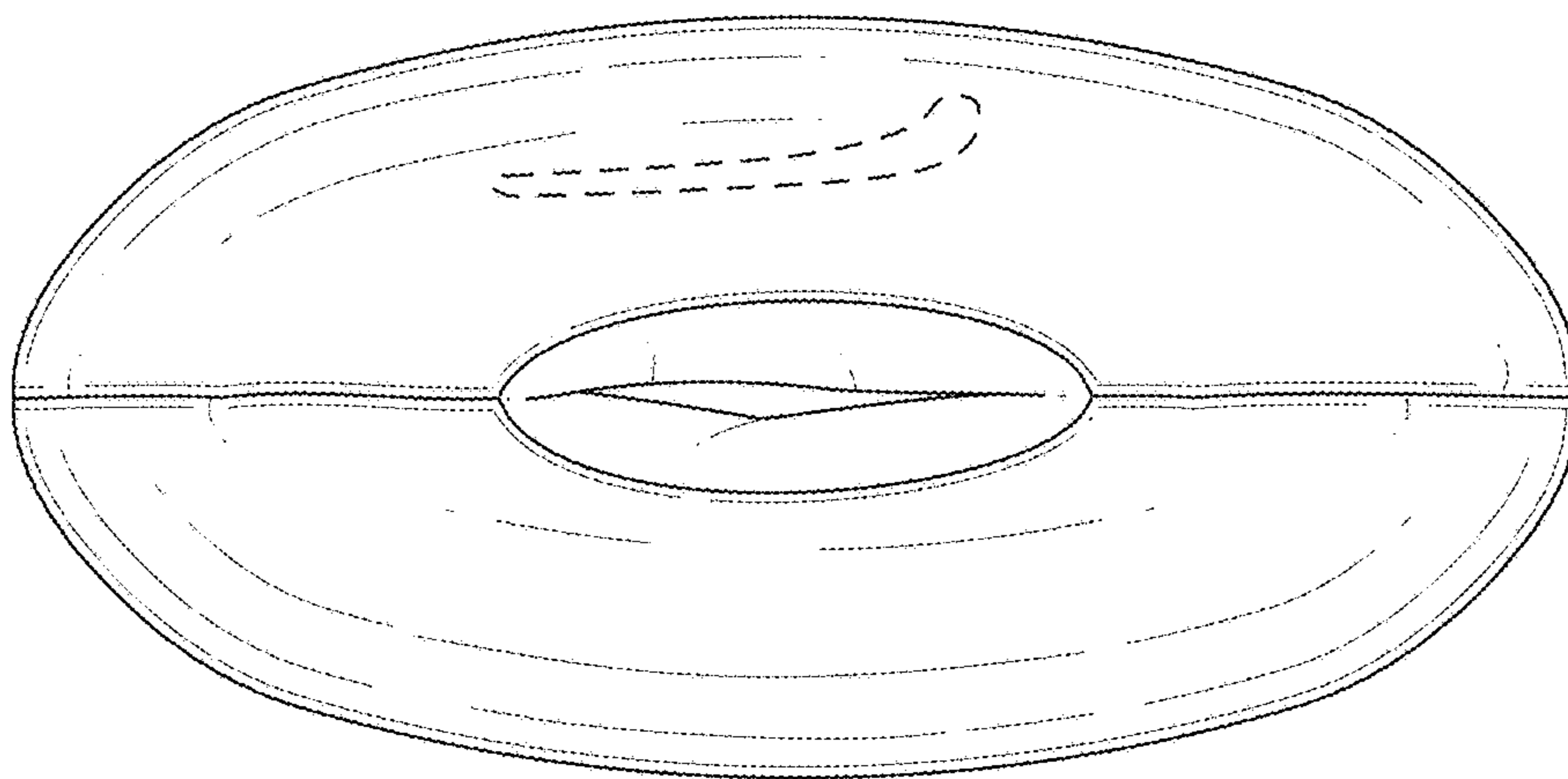


FIG. 5

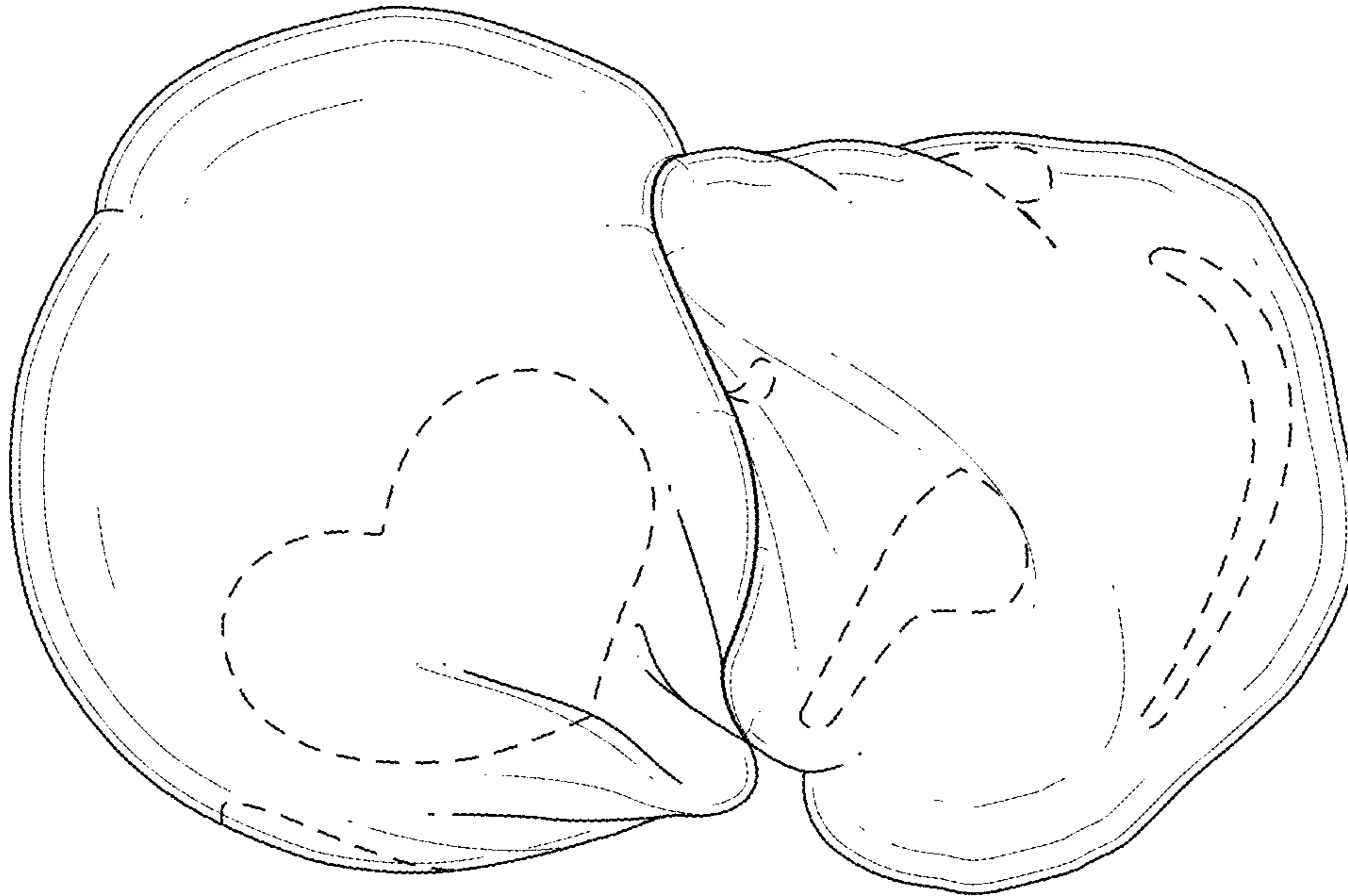


FIG. 6

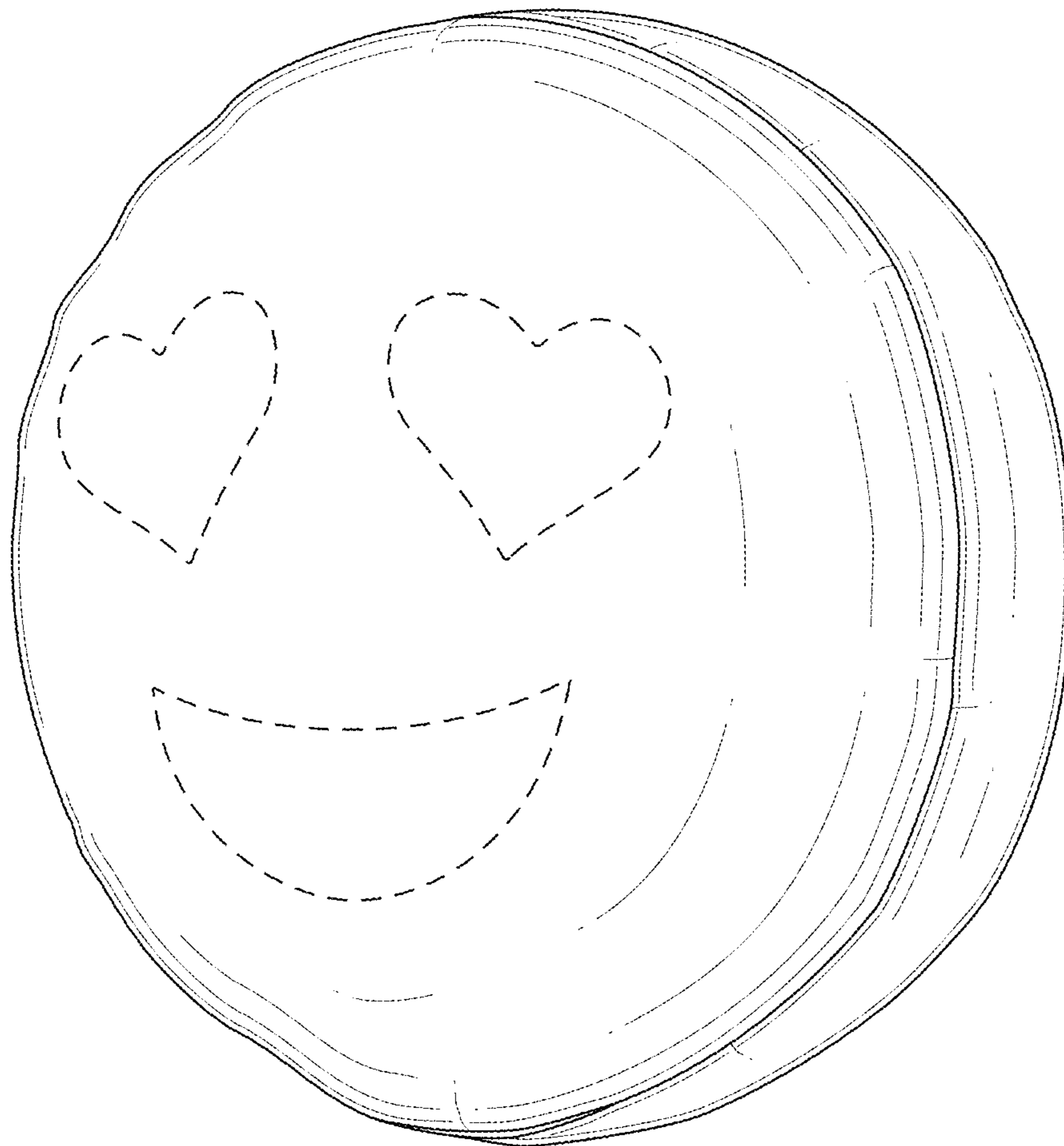


FIG. 7

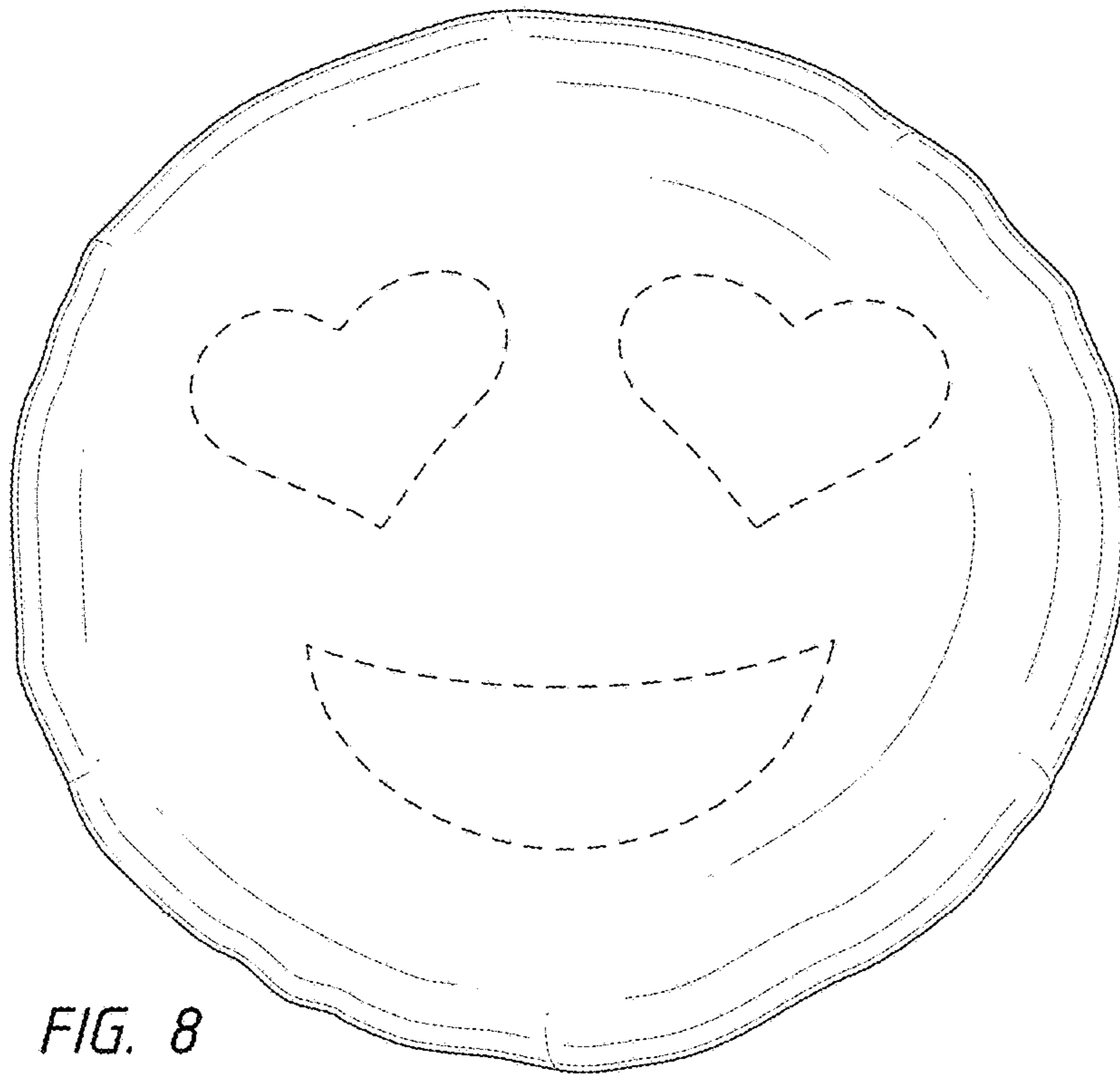


FIG. 8

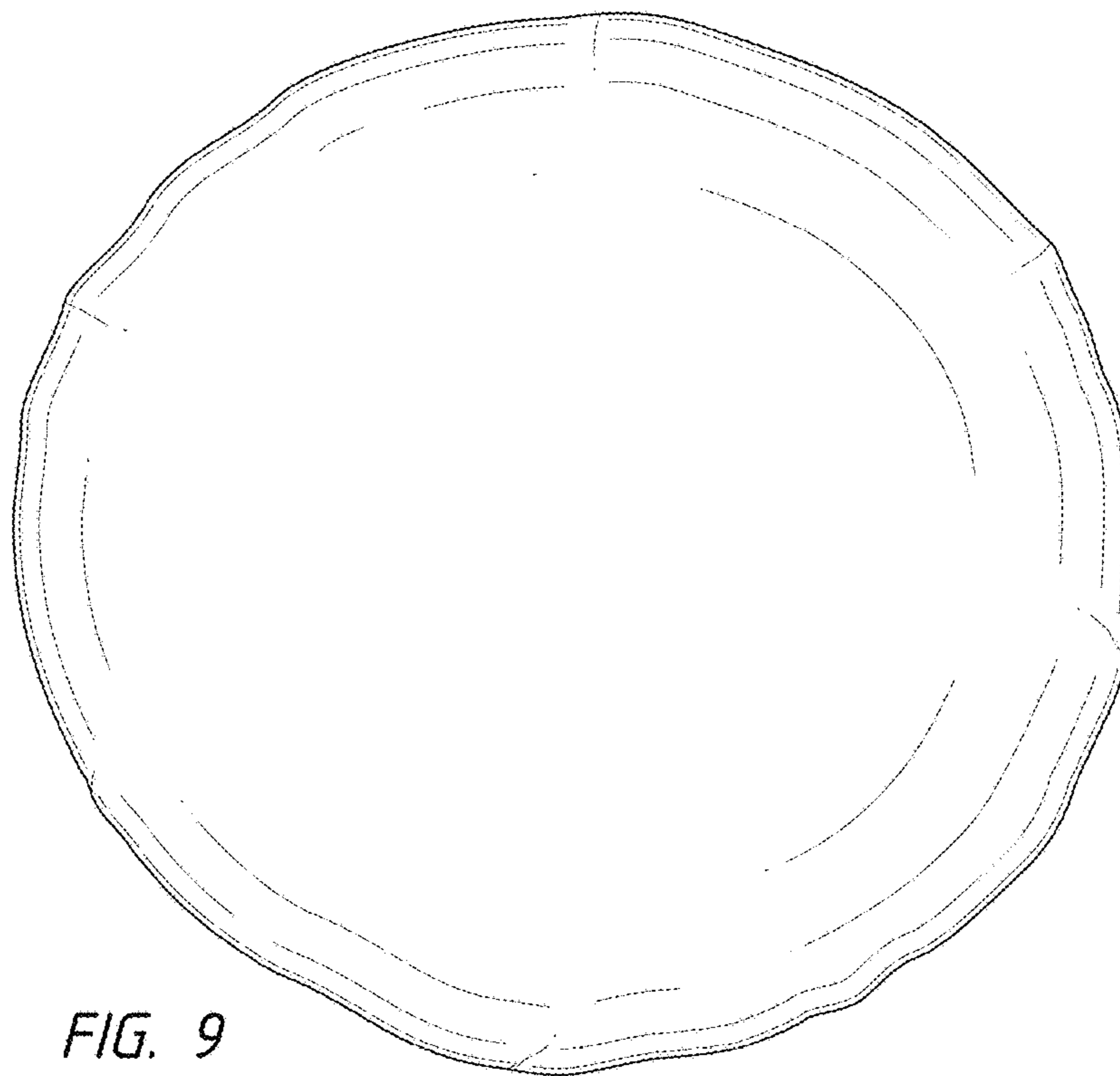


FIG. 9

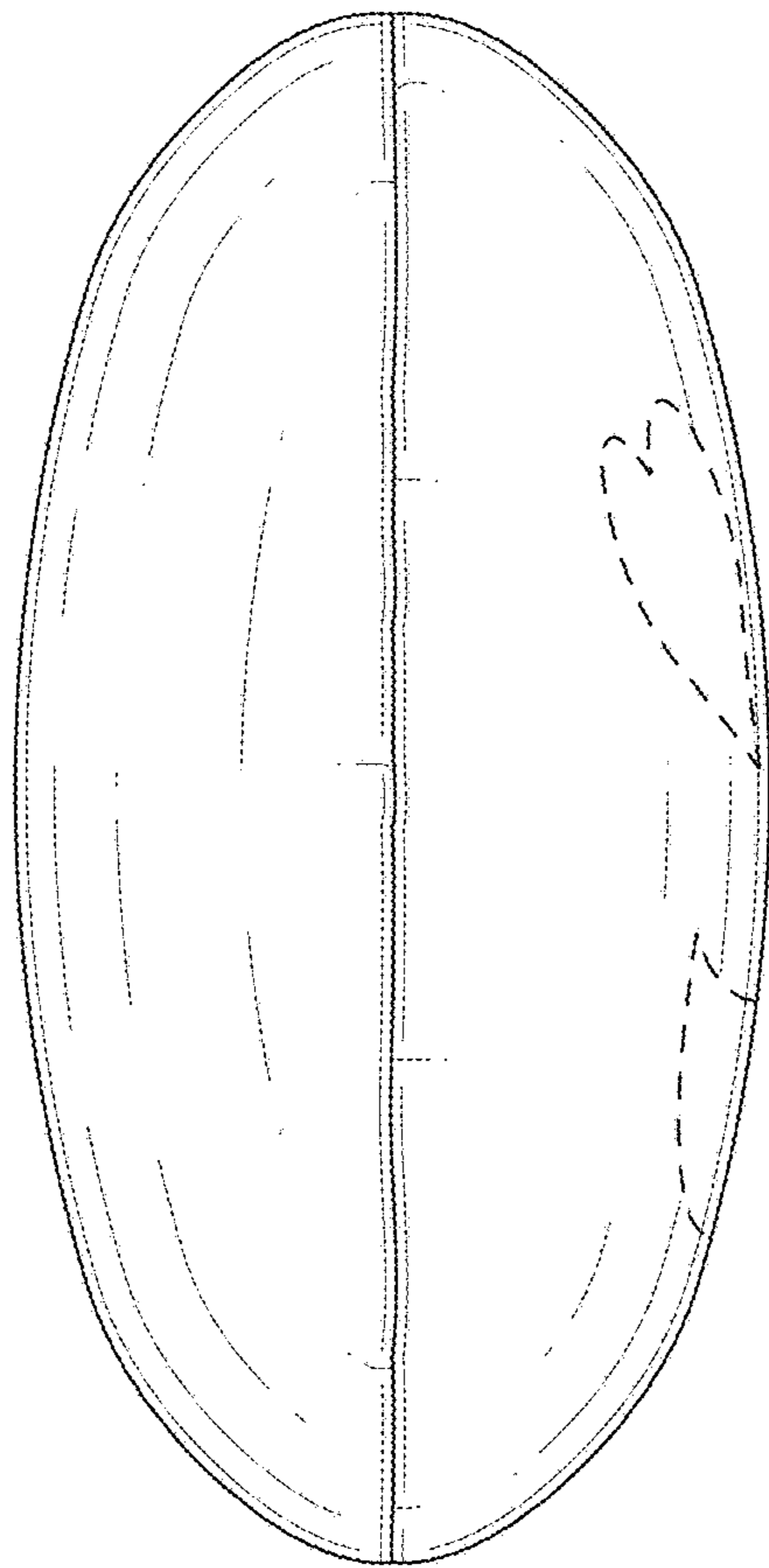


FIG. 10

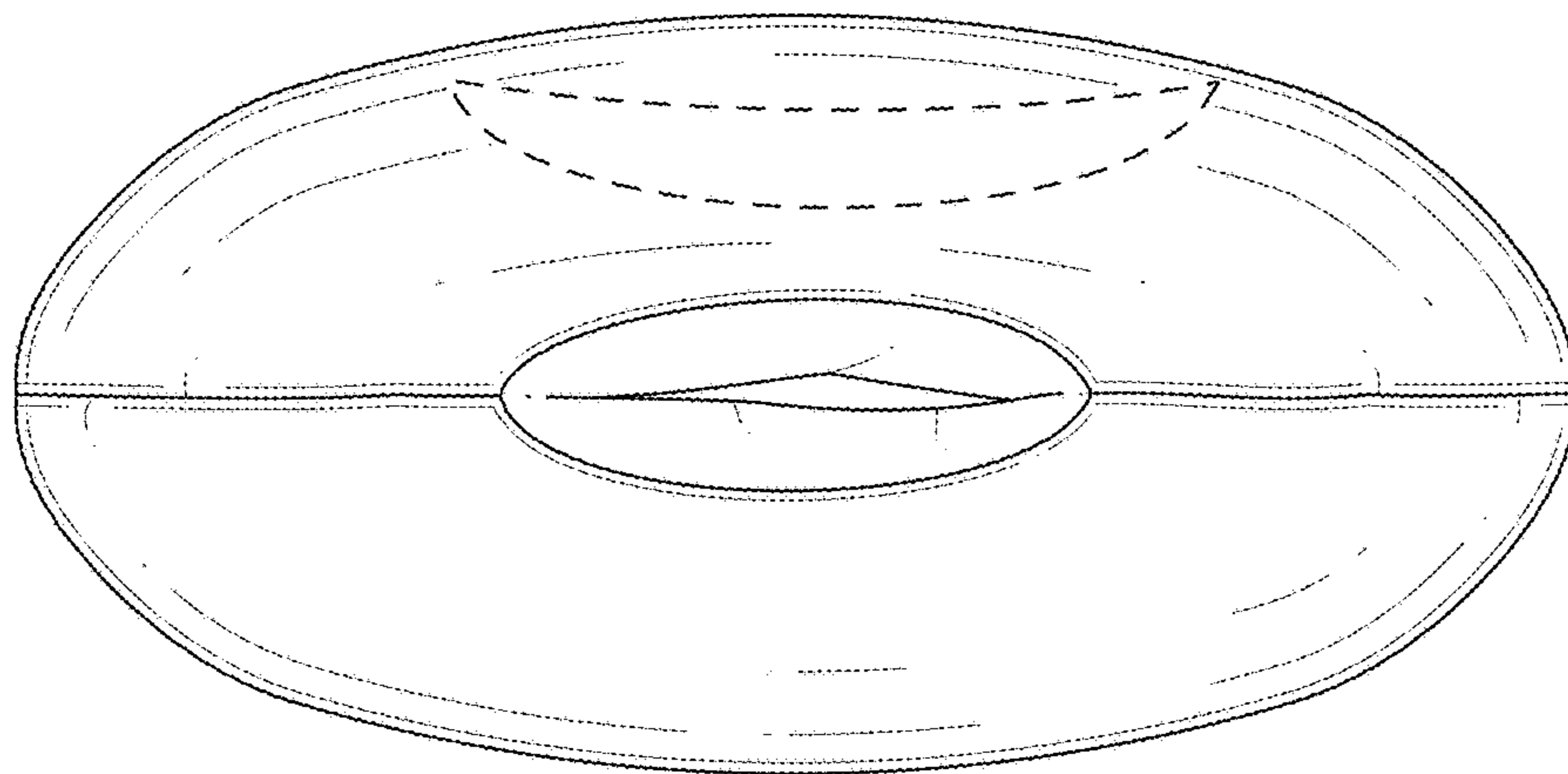


FIG. 11