



US00D832614S

(12) **United States Design Patent** (10) **Patent No.:** **US D832,614 S**
Jun (45) **Date of Patent:** **** Nov. 6, 2018**

(54) **SPONGE AND BRUSH HOLDER**
(71) Applicant: **Hanna Jun**, Snoqualmie, WA (US)
(72) Inventor: **Hanna Jun**, Snoqualmie, WA (US)
(**) Term: **15 Years**
(21) Appl. No.: **29/624,488**
(22) Filed: **Nov. 1, 2017**
(51) **LOC (11) Cl.** **06-04**
(52) **U.S. Cl.**
USPC **D6/586; D32/55**
(58) **Field of Classification Search**
USPC D6/566, 524, 525, 536-537, 540, 567,
D6/320, 520; 211/13.1, 74, 71.01, 86.01,
211/75, 88.01, 90.01, 90.03, 106, 119,
211/126.1, 133.5, 181.1, 134, 87.01;
D3/306; D32/55-56; D7/637;
248/206.2, 206.3
CPC ... B23P 17/04; A47K 1/09; A47K 1/08; F16B
47/00
See application file for complete search history.

D68,538 S *	10/1925	Moineau	D6/537
D121,813 S *	8/1940	Isenber	D6/537
D341,463 S *	11/1993	Booth	D3/306
D473,085 S *	4/2003	Walker	D6/525
D612,648 S *	3/2010	Guindi	D6/525
D637,850 S *	5/2011	Ghiorghie	D3/306
D701,397 S *	3/2014	Snider	D6/566
D751,763 S *	3/2016	Goodman	D26/38
D751,766 S *	3/2016	Goodman	D28/38
D808,603 S *	1/2018	Yuan	D32/55
D808,604 S *	1/2018	Yuan	D32/55

* cited by examiner

Primary Examiner — David G Muller
Assistant Examiner — Nathan M Johnston
(74) *Attorney, Agent, or Firm* — Donald S Debelak

(57) **CLAIM**

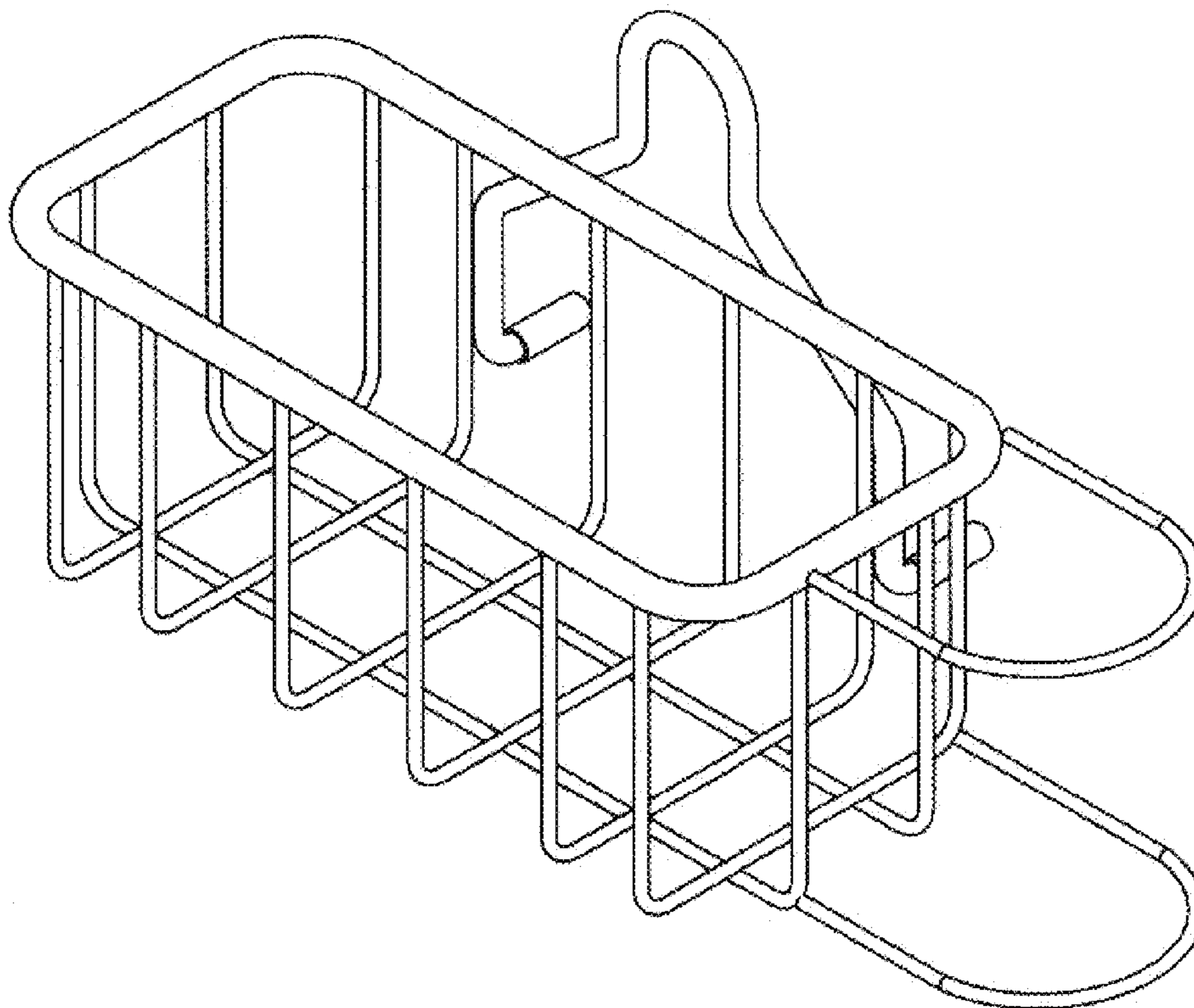
The ornamental design for sponge and brush holder, as shown and described.

DESCRIPTION

FIG. 1 is a top perspective view of the sponge and brush holder showing my new design;
FIG. 2 is a top plan view thereof;
FIG. 3 is a side elevation view thereof; and,
FIG. 4 is a rear elevation view thereof.

1 Claim, 1 Drawing Sheet

(56) **References Cited**
U.S. PATENT DOCUMENTS
D46,973 S * 2/1915 Shepard D6/537
D46,974 S * 2/1915 Shepard D6/537



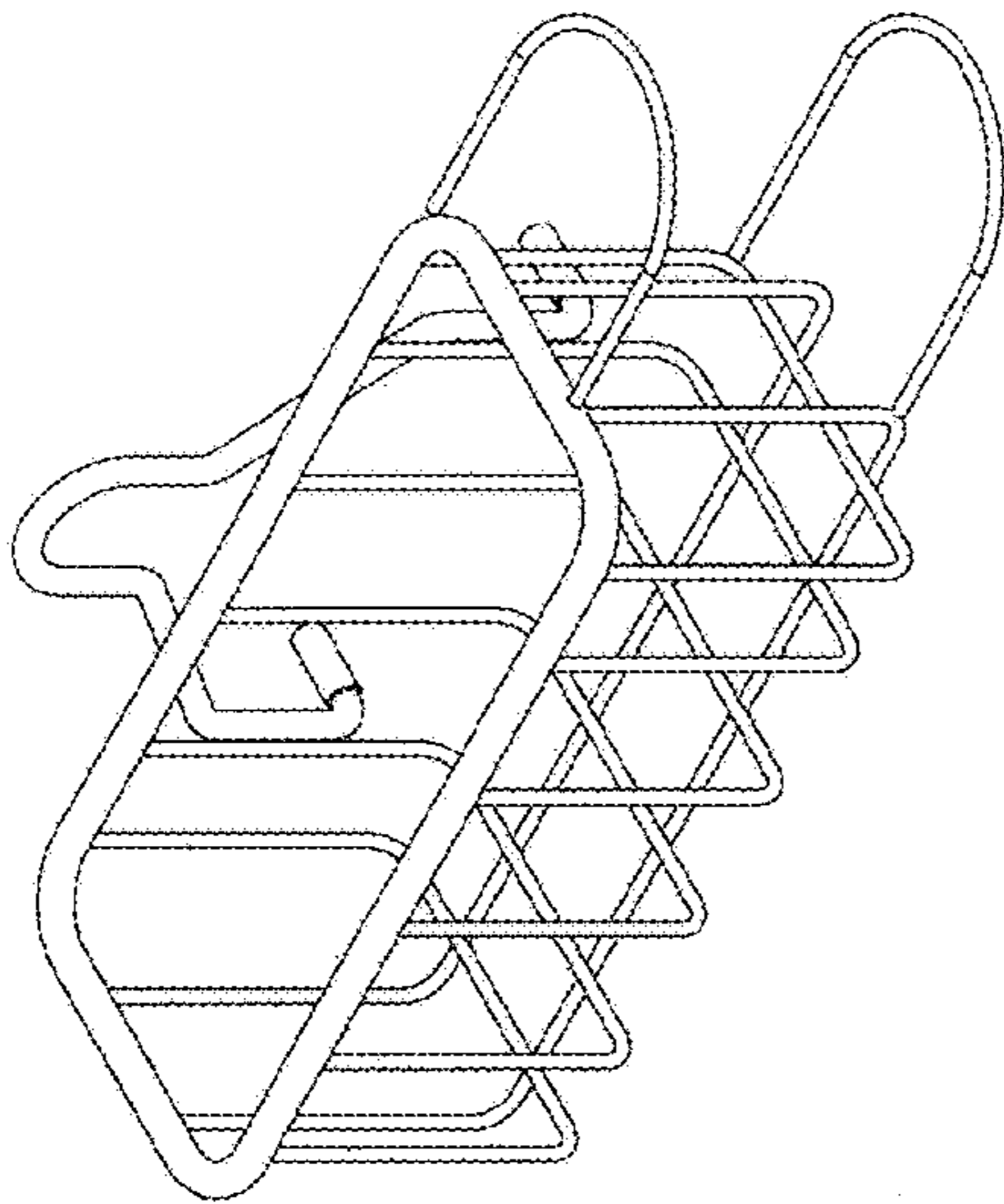


FIG. 1

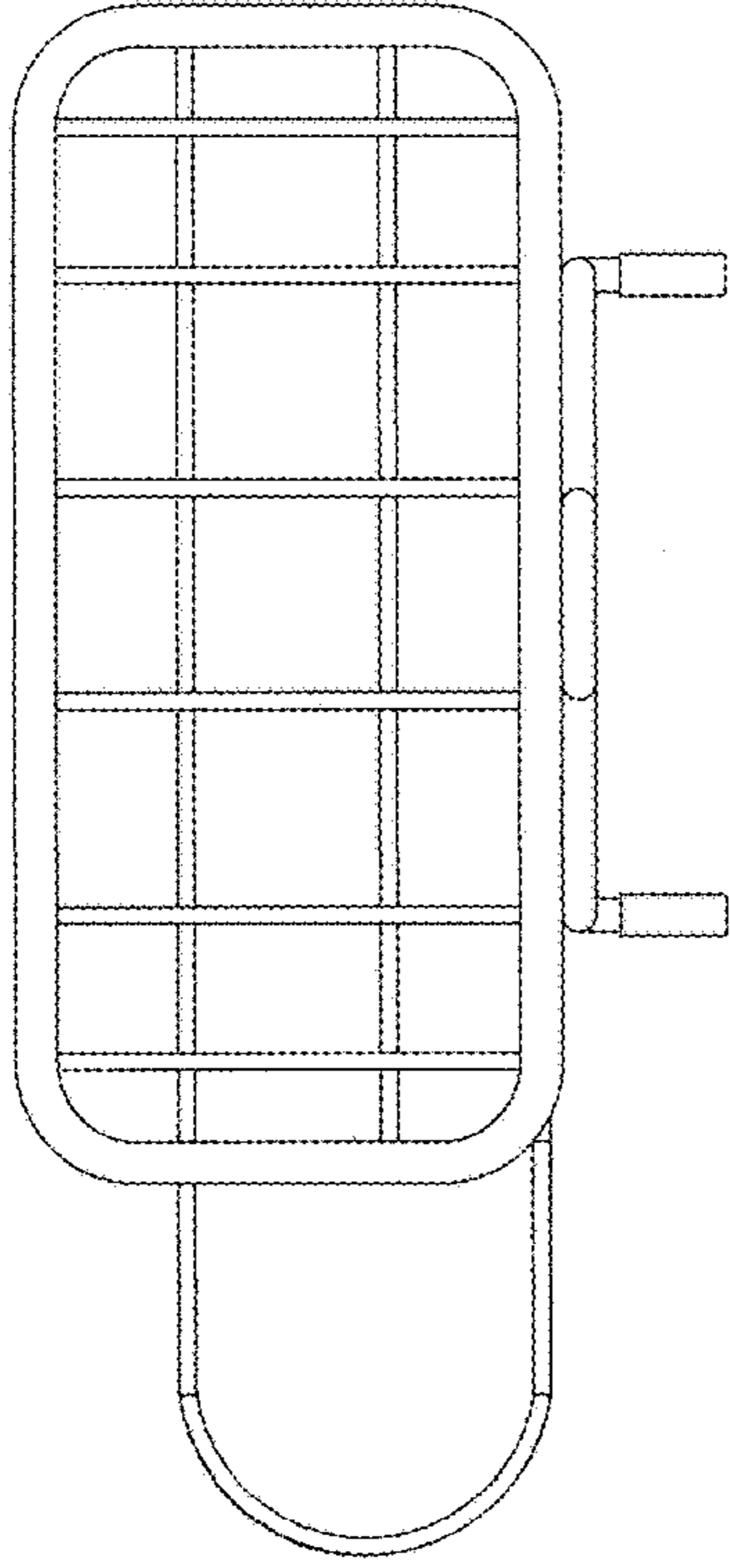


FIG. 2

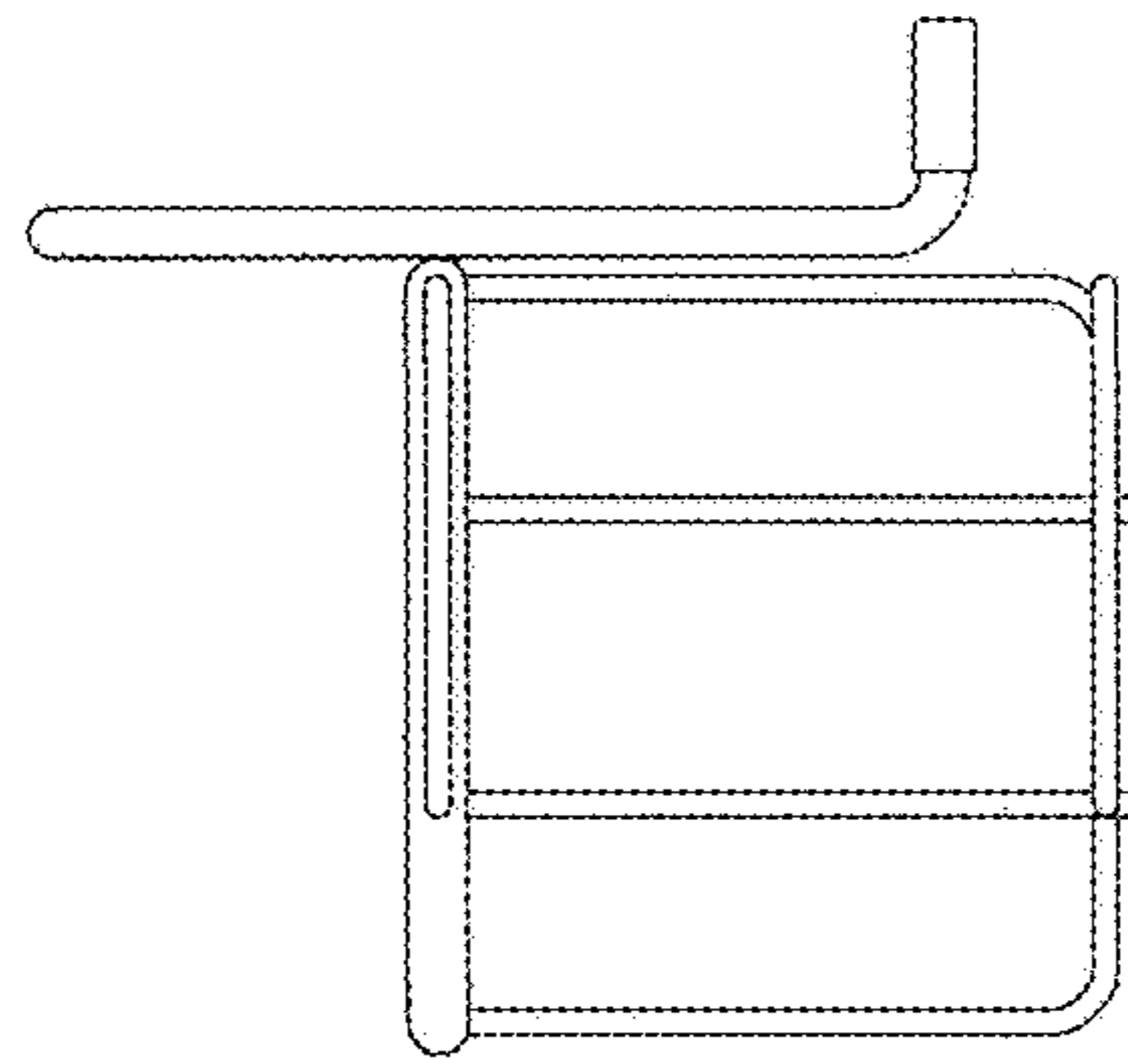


FIG. 3

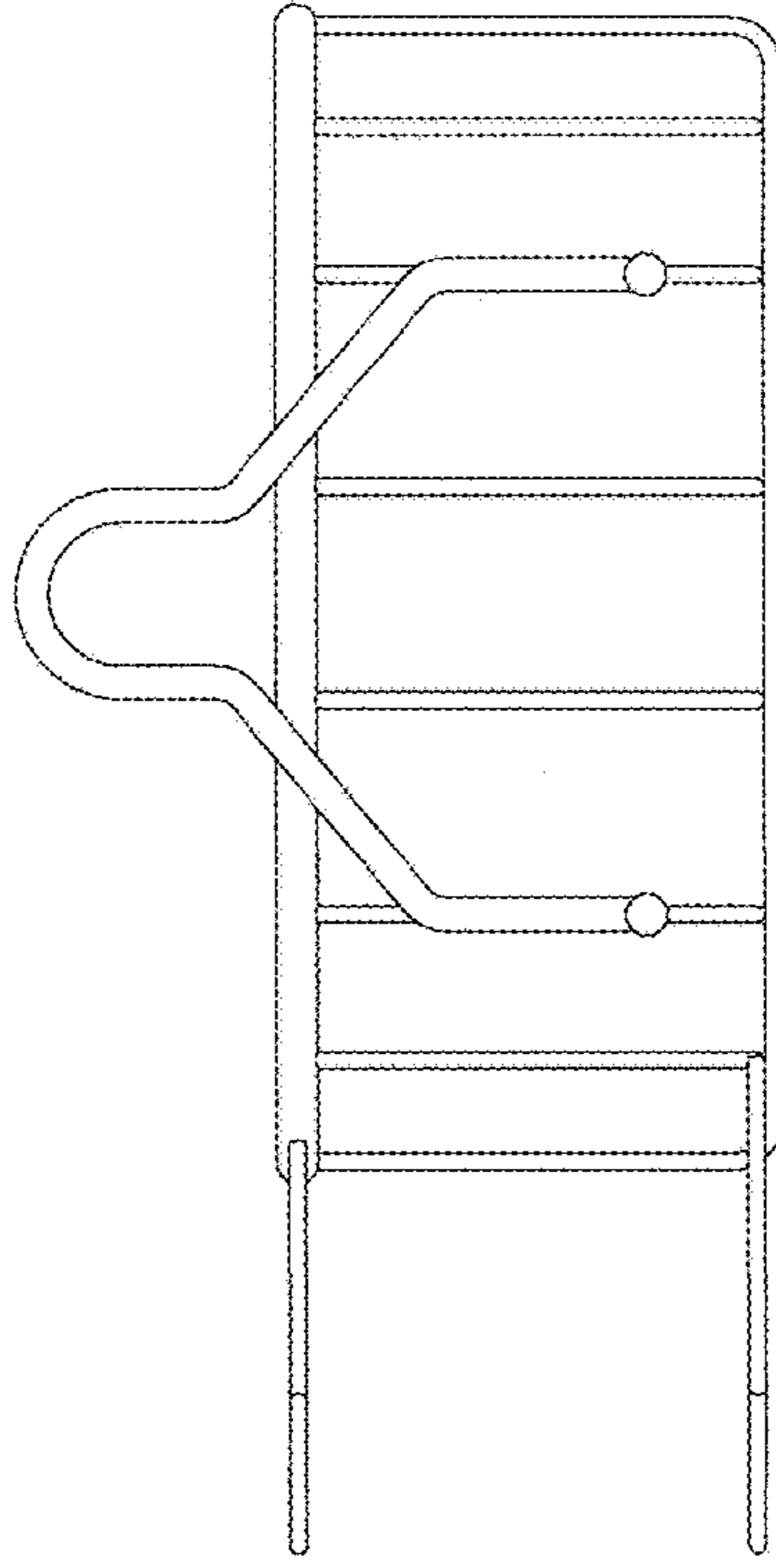


FIG. 4