



US00D832613S

(12) **United States Design Patent** (10) **Patent No.:** **US D832,613 S**
Parikh (45) **Date of Patent:** **** Nov. 6, 2018**

(54) **WALL UNIT**
(71) Applicant: **Williams-Sonoma, Inc.**, San Francisco, CA (US)
(72) Inventor: **Andrea Parikh**, Brooklyn, NY (US)
(73) Assignee: **Williams-Sonoma, Inc.**, San Francisco, CA (US)
(**) Term: **15 Years**
(21) Appl. No.: **29/618,688**
(22) Filed: **Sep. 22, 2017**
(51) **LOC (11) Cl.** **06-04**
(52) **U.S. Cl.**
USPC **D6/574**
(58) **Field of Classification Search**
USPC D6/553, 555, 567, 569, 570, 573, 574;
206/509; 248/312.1; 211/13.1, 87.01,
211/85.17, 90.02, 126.5, 134; 108/33, 40,
108/42, 115, 134; 312/107, 198
CPC A47B 95/008; A47B 96/06; A47B 95/00
See application file for complete search history.

5,690,415 A * 11/1997 Krehl A47F 5/101
108/23
D406,476 S * 3/1999 Boije D6/574
D418,341 S * 1/2000 Carville D6/561
6,082,560 A * 7/2000 Timm A47B 57/10
108/152
6,116,164 A * 9/2000 Justen, Jr. A47B 43/006
108/42
D485,107 S * 1/2004 Sung D6/570
D485,108 S * 1/2004 Sung D6/570
D538,093 S * 3/2007 Lee D6/555
D649,819 S * 12/2011 Malik D6/513
D655,550 S * 3/2012 Mattsson D6/567
D798,067 S * 9/2017 Felsenthal D6/320
9,775,447 B2 * 10/2017 Wiemer A47F 3/001
9,831,642 B2 * 11/2017 Woodley H02B 1/20

(Continued)

Primary Examiner — David G Muller
Assistant Examiner — Nathan M Johnston
(74) *Attorney, Agent, or Firm* — Cook Alex Ltd.; R. Blake Johnston

(57) **CLAIM**

The ornamental design for a wall unit, as shown and described.

DESCRIPTION

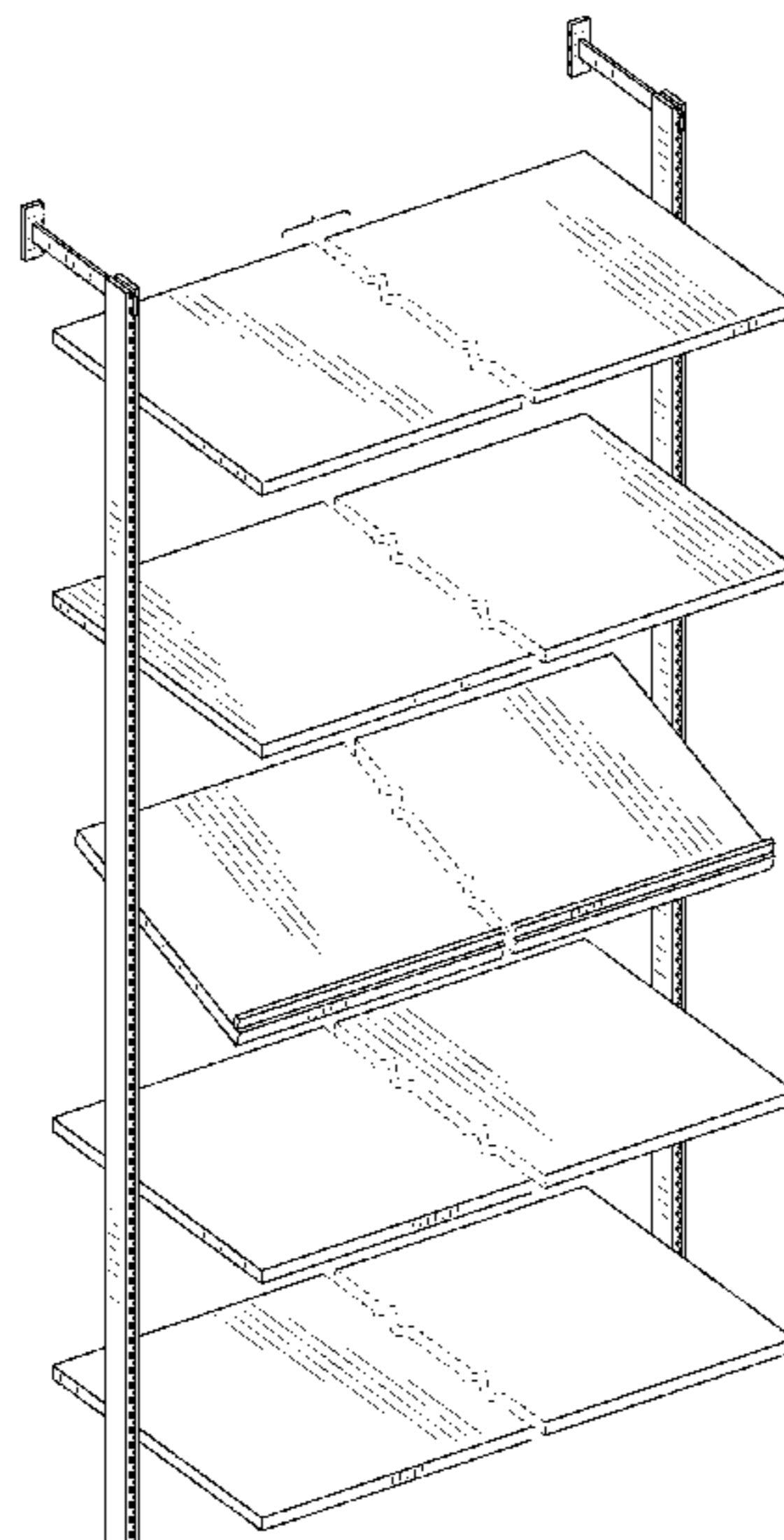
FIG. 1 is a perspective view of a wall unit showing our new design;
FIG. 2 is a front elevation view thereof;
FIG. 3 is a rear elevation view thereof;
FIG. 4 is a left side elevation view thereof;
FIG. 5 is a right side elevation view thereof;
FIG. 6 is a top plan view thereof; and,
FIG. 7 is a bottom plan view thereof.
The wall unit is shown with a symbolic break in its length. The appearance of any portion of the article between the break lines forms no part of the claimed design.

1 Claim, 5 Drawing Sheets

(56) **References Cited**

U.S. PATENT DOCUMENTS

3,040,905 A * 6/1962 Gingher A47F 5/103
108/108
3,221,678 A * 12/1965 Doherty A47B 57/26
108/106
4,159,814 A * 7/1979 Fibus A47B 57/42
108/108
4,685,575 A * 8/1987 Kulbersh A47F 5/08
108/152
D295,478 S * 5/1988 Helmholdt D6/405
4,919,282 A * 4/1990 Duff A47B 57/26
211/134
5,094,350 A * 3/1992 Smock A47B 57/04
211/150



(56)

References Cited

U.S. PATENT DOCUMENTS

2004/0226903 A1* 11/2004 Wang A47B 57/00
211/187
2006/0103280 A1* 5/2006 Kubota A47B 43/006
312/348.5
2012/0126189 A1* 5/2012 Cozza A47B 97/00
254/2 R
2014/0224875 A1* 8/2014 Slesinger H01R 25/142
235/385
2015/0008203 A1* 1/2015 Misener A47F 5/0068
211/134
2017/0099961 A1* 4/2017 Church A47F 5/0043

* cited by examiner

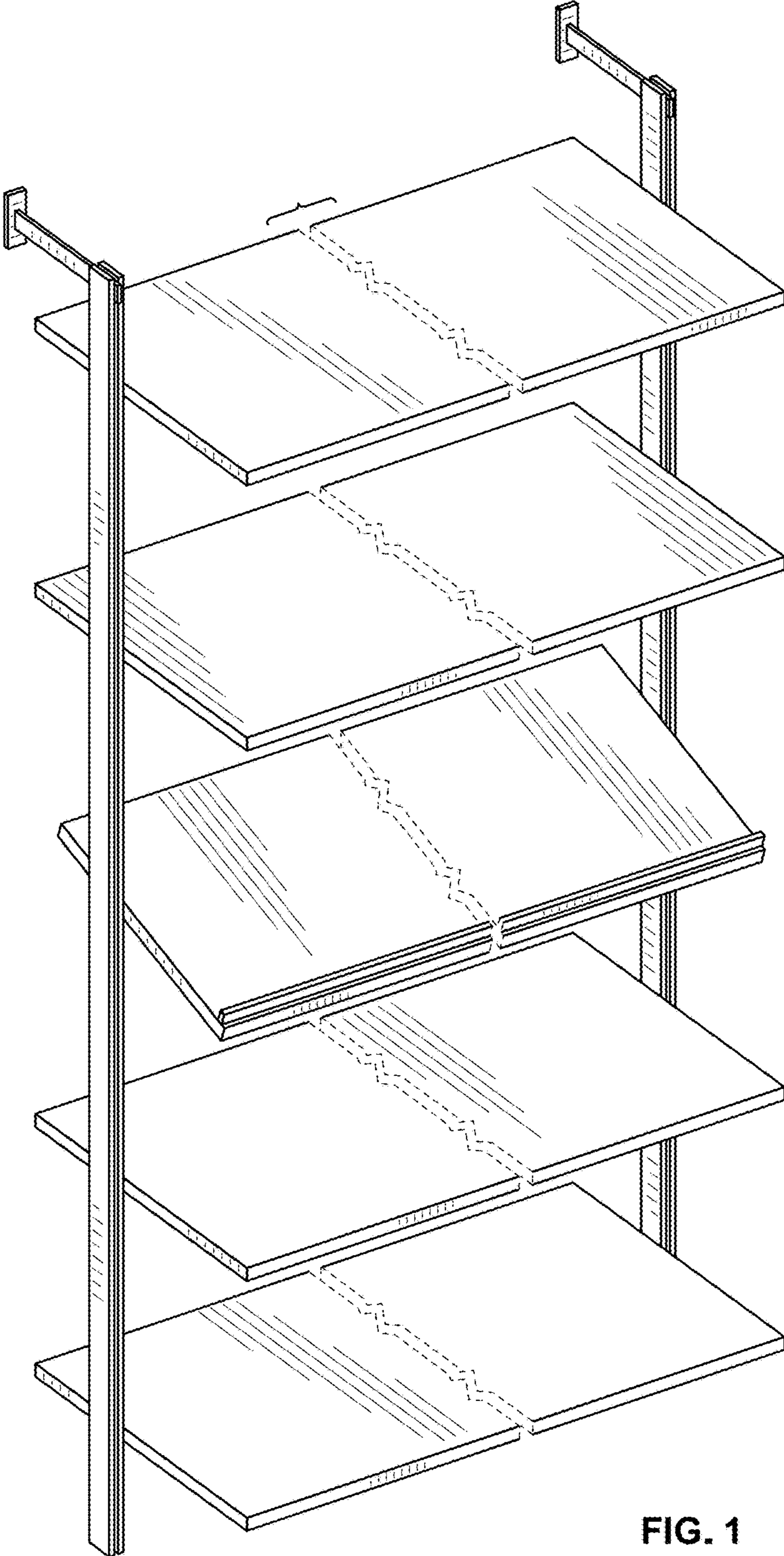


FIG. 1

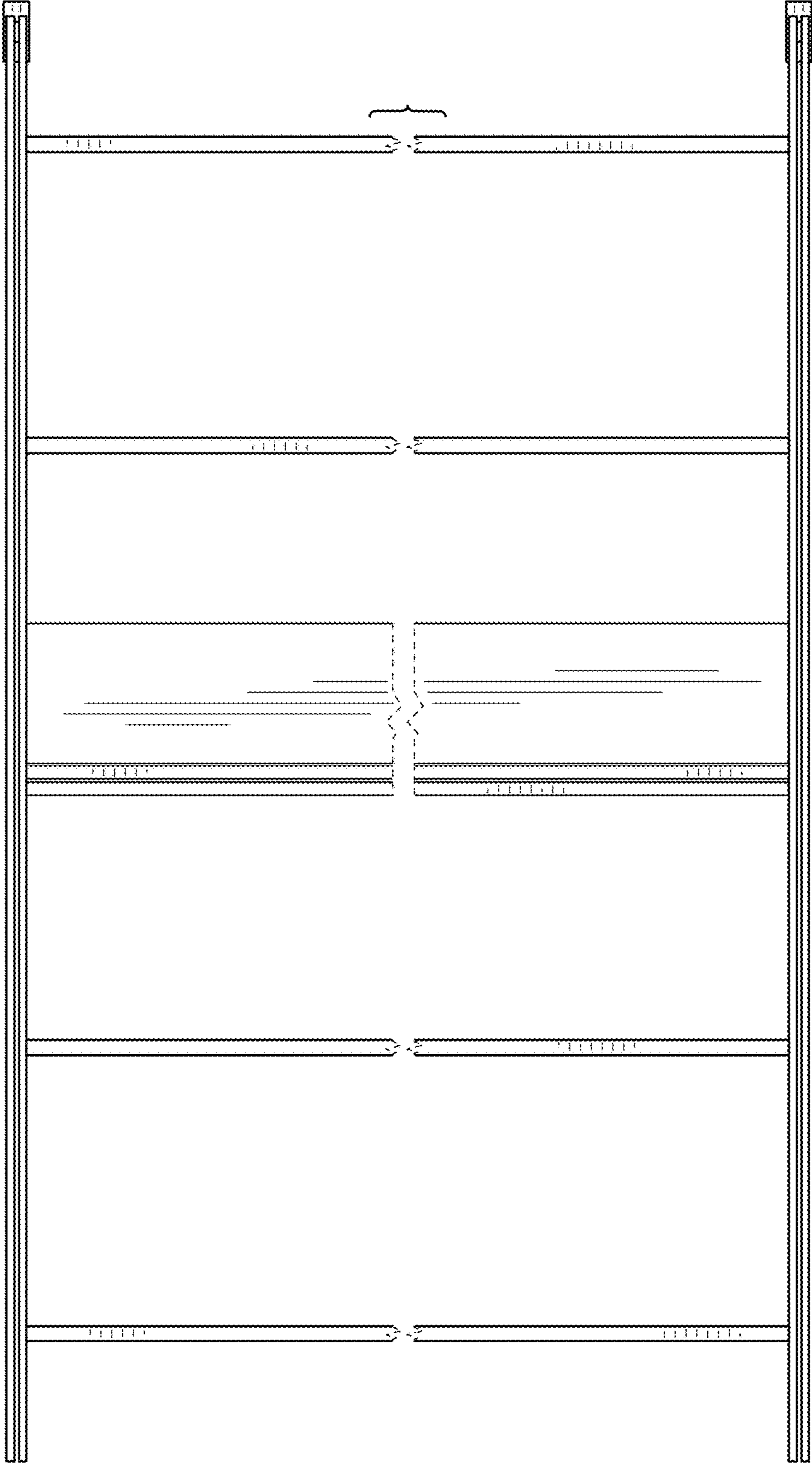


FIG. 2

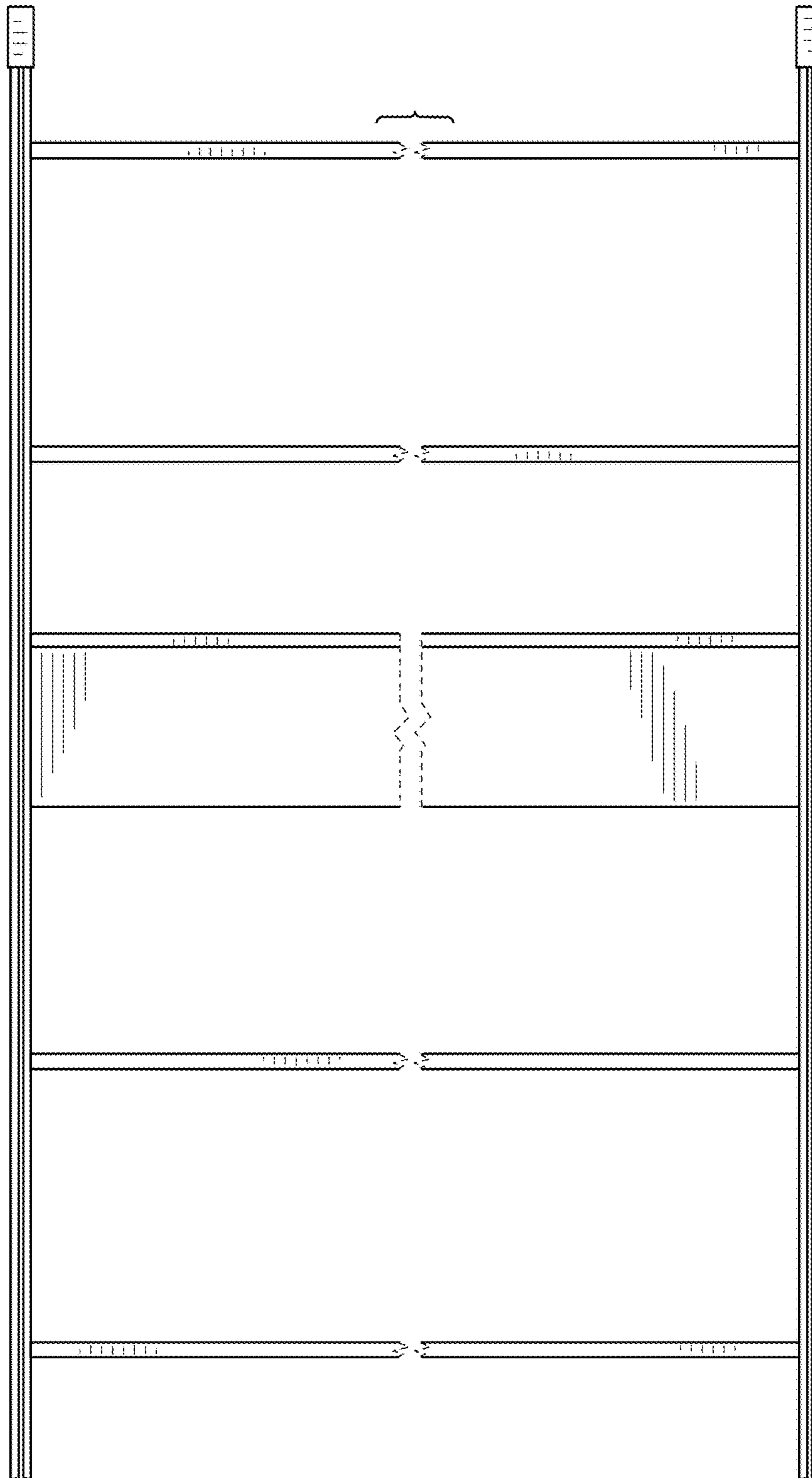


FIG. 3

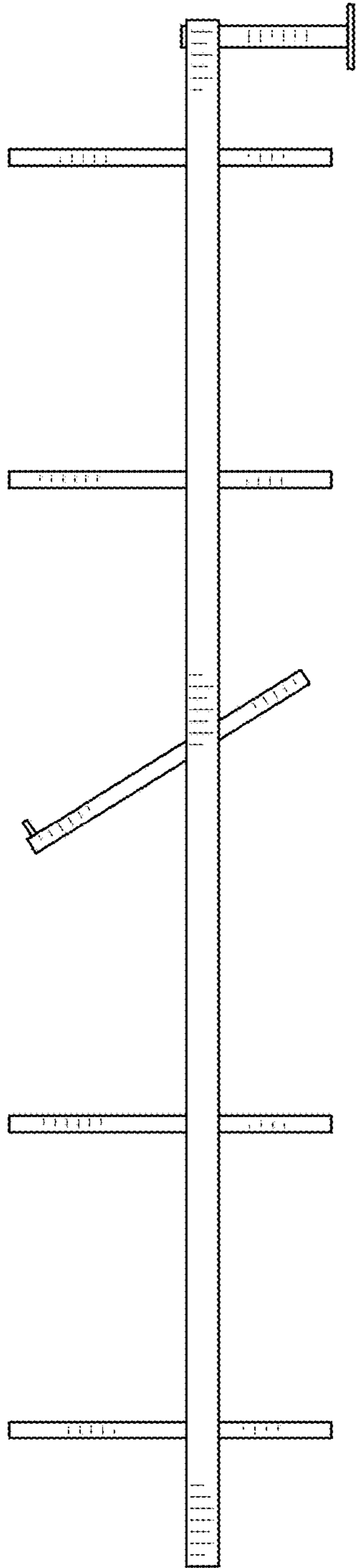


FIG. 4

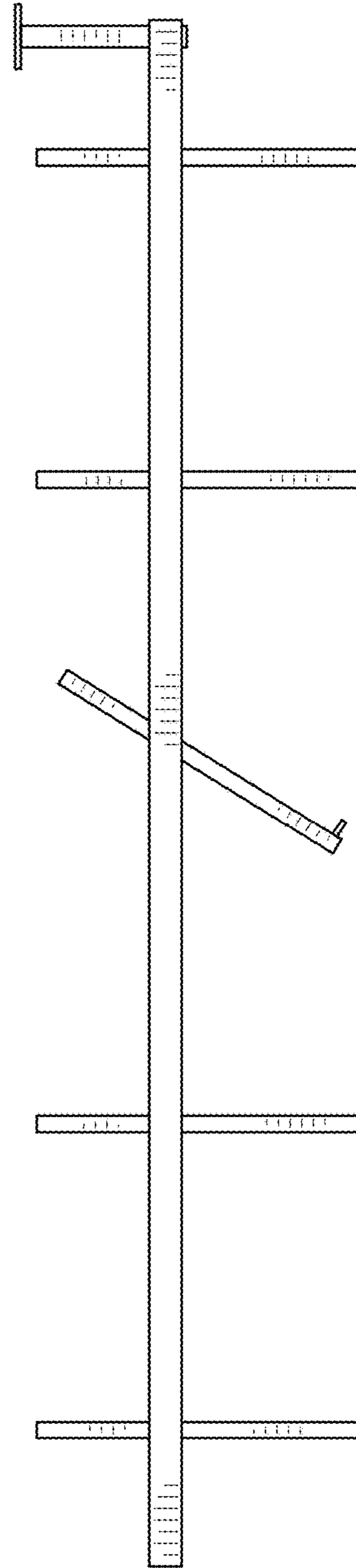


FIG. 5

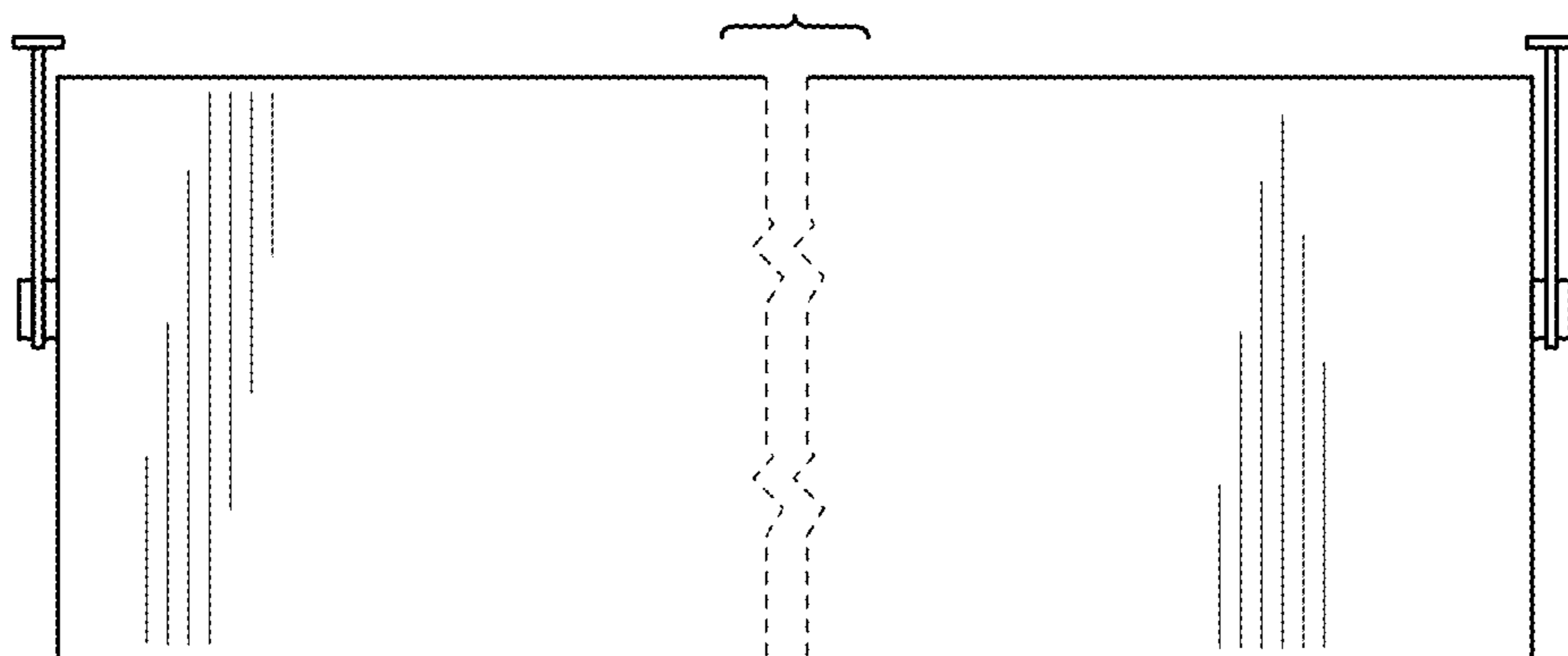


FIG. 6

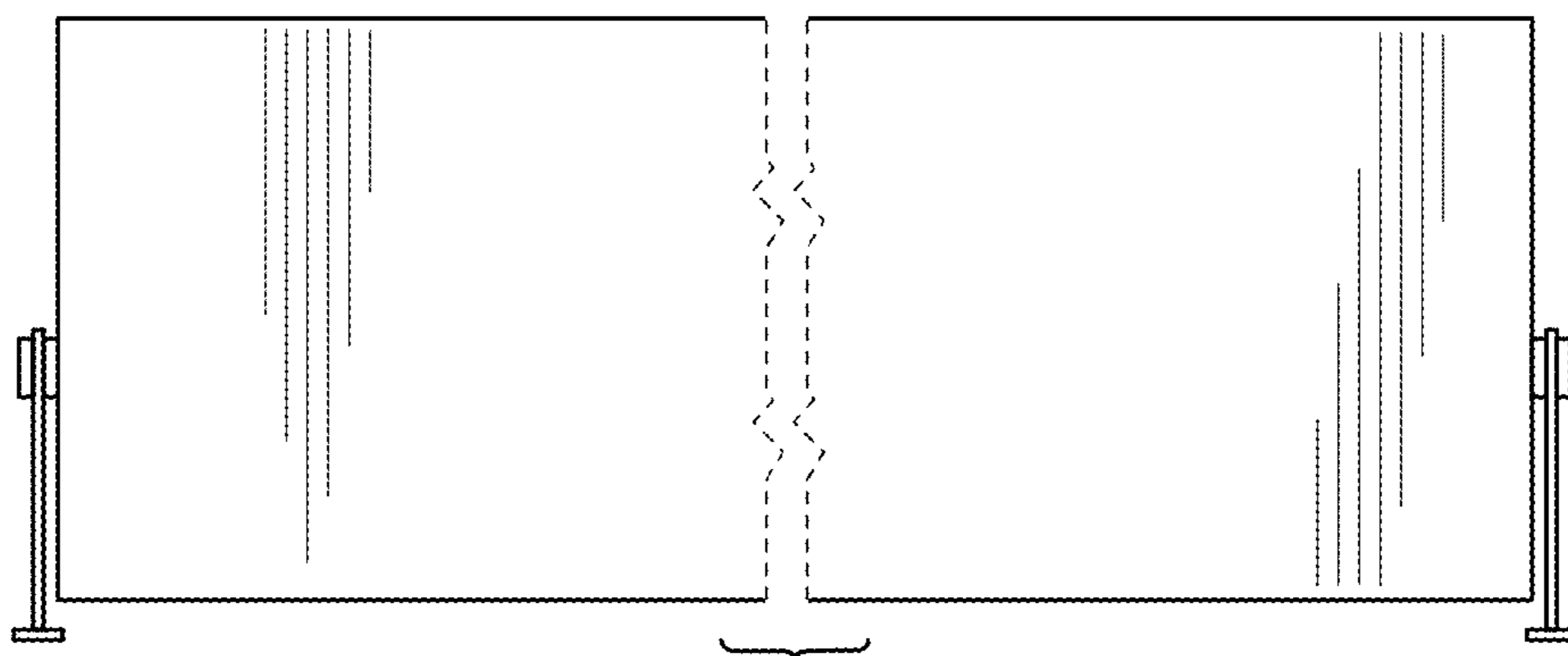


FIG. 7