



US00D832611S

(12) **United States Design Patent** (10) **Patent No.:** **US D832,611 S**
McKenna et al. (45) **Date of Patent:** **** Nov. 6, 2018**

(54) **DEVICE HOLDER**

(71) Applicant: **Steelcase Inc.**, Grand Rapids, MI (US)

(72) Inventors: **Mark McKenna**, East Grand Rapids, MI (US); **Ryan D. Vaughan**, Lowell, MI (US); **Meghan McNeil Raven**, Belmont, MI (US); **Julia Todd**, Ada, MI (US)

(73) Assignee: **Steelcase Inc.**, Grand Rapids, MI (US)

(**) Term: **15 Years**

(21) Appl. No.: **29/606,919**

(22) Filed: **Jun. 8, 2017**

(51) **LOC (11) Cl.** **23-02**

(52) **U.S. Cl.**
USPC **D6/540**

(58) **Field of Classification Search**

USPC D6/540; D3/218, 215, 210, 226, 269, D3/272-273, 303; D17/22; 84/327, 84/385 A, 453; 224/258, 265, 268, 910, 224/191, 240-241, 245, 682-683; 379/430, 455, 446-447, 454, 420.04, 426, 379/433.11; 24/115 H; 206/305, 320; D14/250-253, 130, 440, 217, 239, 238.1, D14/203.8, 341, 336, 371, 432, 434, 433, D14/439, 447, 448, 451, 452, 457, 460; 361/679.02, 679.21, 679.22, 679.23, 361/679.26, 679.27, 679.3, 679.55, 361/679.56, 679.6; 248/136, 150, 152, 248/153, 166, 176.1, 176.3, 188.6, 371, 248/441.1, 444.1, 447, 447.1, 447.2, 451, 248/454, 455, 456, 460, 463, 465.1, 676, 248/678, 917-924; D8/370; D30/133, D30/143
CPC G03B 17/561; A47B 23/042; A47B 2097/006; A47B 21/045; A47B 23/02; A47B 23/025; A47B 23/04; A47B 23/06; A47B 55/00; A47B 97/00
See application file for complete search history.

(56) **References Cited**

U.S. PATENT DOCUMENTS

505,360 A 9/1893 Hilliard
RE11,610 E 6/1897 Hubbel et al.
873,488 A 12/1907 Beaumont
D68,538 S 10/1925 Moineau
2,517,244 A 8/1950 Rundell
2,636,704 A 4/1953 Norberg
2,658,116 A 11/1953 Skantze
2,763,413 A 9/1956 Howard
2,929,886 A 3/1960 Marback
3,802,657 A 4/1974 Jackson

(Continued)

FOREIGN PATENT DOCUMENTS

DE 3020677 A1 12/1981
DE 3042131 A1 5/1982

(Continued)

Primary Examiner — Wan Laymon
Assistant Examiner — Mark Booker

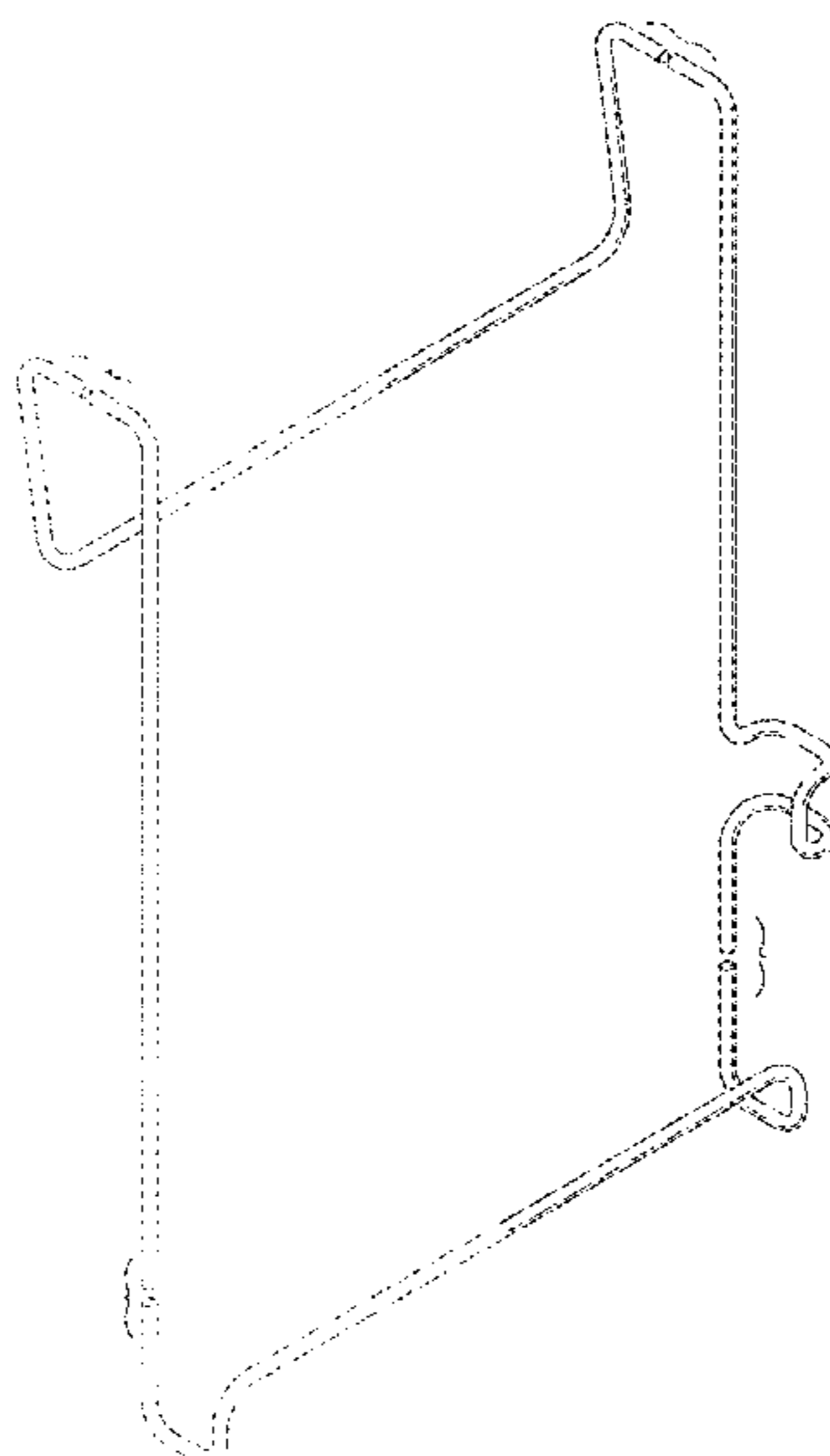
(57) **CLAIM**

The ornamental design for a device holder, as shown and described.

DESCRIPTION

FIG. 1 is a front perspective view of a device holder; FIG. 2 is a front view of the device holder of FIG. 1; FIG. 3 is a rear view of the device holder of FIG. 1; FIG. 4 is a right side view of the device holder of FIG. 1; FIG. 5 is a left side view the device holder of FIG. 1; FIG. 6 is a top view of the device holder of FIG. 1; and FIG. 7 is a bottom view of the device holder of FIG. 1. The broken away symbols in the drawings indicate that any portion of the article beyond what is shown forms no part of the claimed design.

1 Claim, 5 Drawing Sheets



(56)

References Cited

U.S. PATENT DOCUMENTS

D252,439 S 7/1979 Smith
 4,343,405 A 8/1982 Vine et al.
 4,552,995 A 11/1985 Huntley
 D283,185 S 4/1986 Frazier
 4,598,891 A 7/1986 Hanert
 D289,353 S 4/1987 Davis et al.
 D297,293 S 8/1988 Fagan
 D297,998 S 10/1988 Edson
 5,009,380 A 4/1991 Fee
 D340,622 S 10/1993 Park et al.
 D340,825 S 11/1993 Gibson
 5,390,443 A 2/1995 Emalfarb et al.
 5,535,971 A 7/1996 Adams
 D389,689 S 1/1998 Ballack
 D396,405 S 7/1998 Zaccardelli
 D400,565 S * 11/1998 Ahl D17/22
 D402,491 S 12/1998 Tucker
 6,065,727 A 5/2000 Fitzgerald et al.
 6,206,206 B1 3/2001 Saylor et al.
 D457,351 S 5/2002 Zerman et al.
 D191,484 S 1/2003 Bardo
 6,561,472 B2 5/2003 Mongaras
 D486,379 S 2/2004 Olson
 D499,286 S 12/2004 Harwanko

D547,098 S 7/2007 Goodman et al.
 D554,418 S 11/2007 Goodman et al.
 D572,044 S 7/2008 Miros
 7,669,819 B2 3/2010 Meyers
 7,690,612 B1 4/2010 Branson
 D655,986 S 3/2012 Schneider
 D666,858 S 9/2012 Goodman
 D674,637 S 1/2013 London
 D679,280 S * 4/2013 Lewis D14/447
 8,573,415 B2 11/2013 Ernst et al.
 D695,973 S 12/2013 Carrs
 D707,443 S * 6/2014 Dailey D3/218
 D725,400 S 3/2015 Costello et al.
 D725,405 S 3/2015 Tsai
 D731,877 S 6/2015 Hanson
 D762,421 S 8/2016 Goodman et al.
 D773,845 S * 12/2016 Chang D6/537
 2004/0232288 A1 11/2004 Kung
 2007/0205346 A1 9/2007 Jackson et al.

FOREIGN PATENT DOCUMENTS

GB 272014 A 6/1927
 GB 2408203 A 5/2005
 JP 11139215 A 5/1999
 JP 2001309009 A 5/1999

* cited by examiner

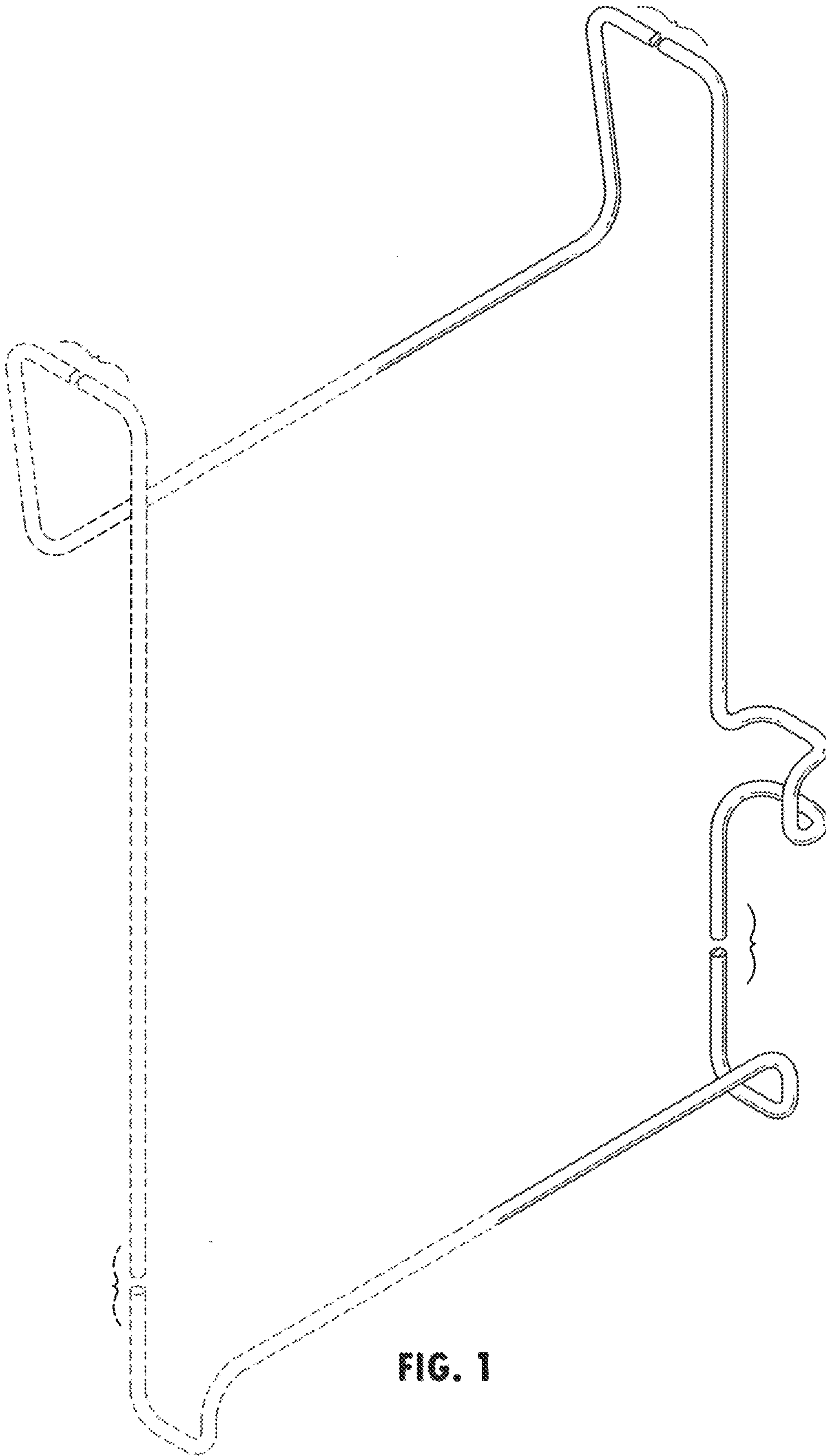


FIG. 1

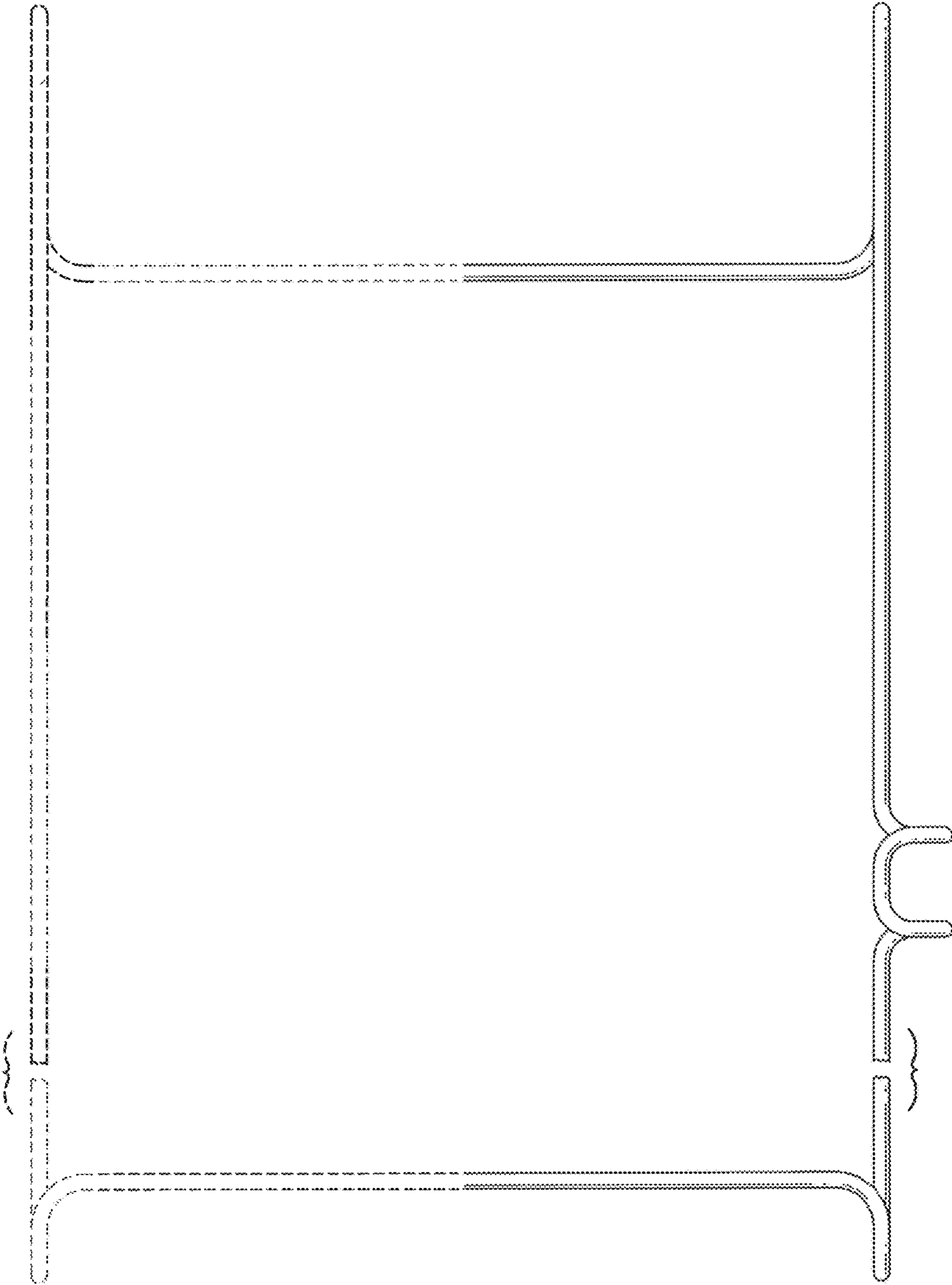


FIG. 2

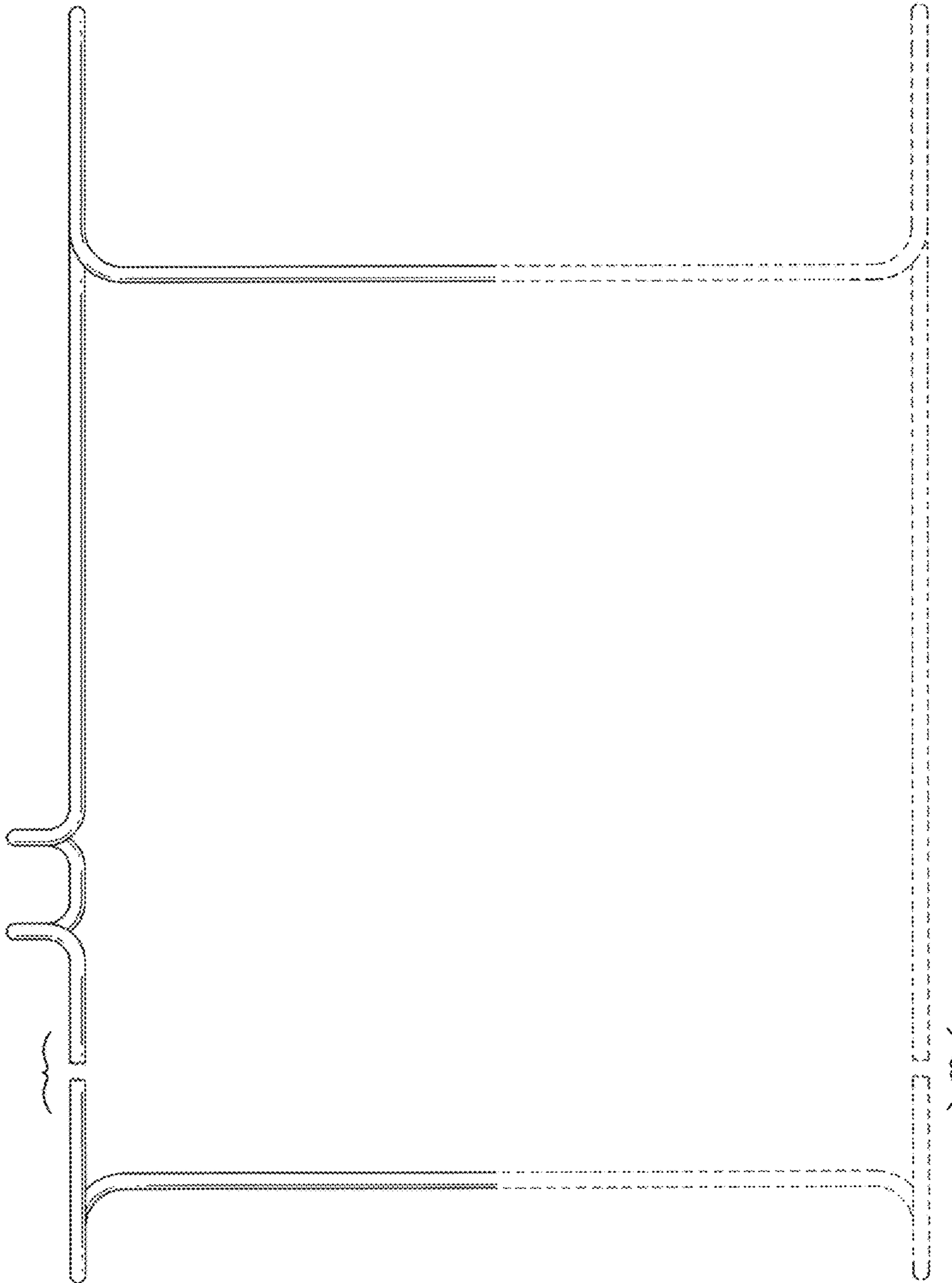


FIG. 3

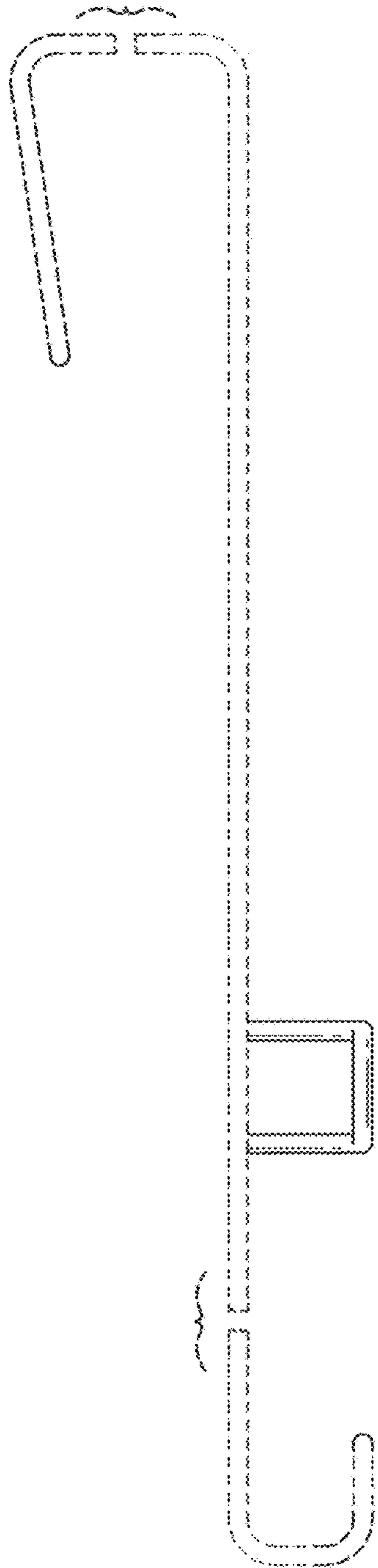


FIG. 4

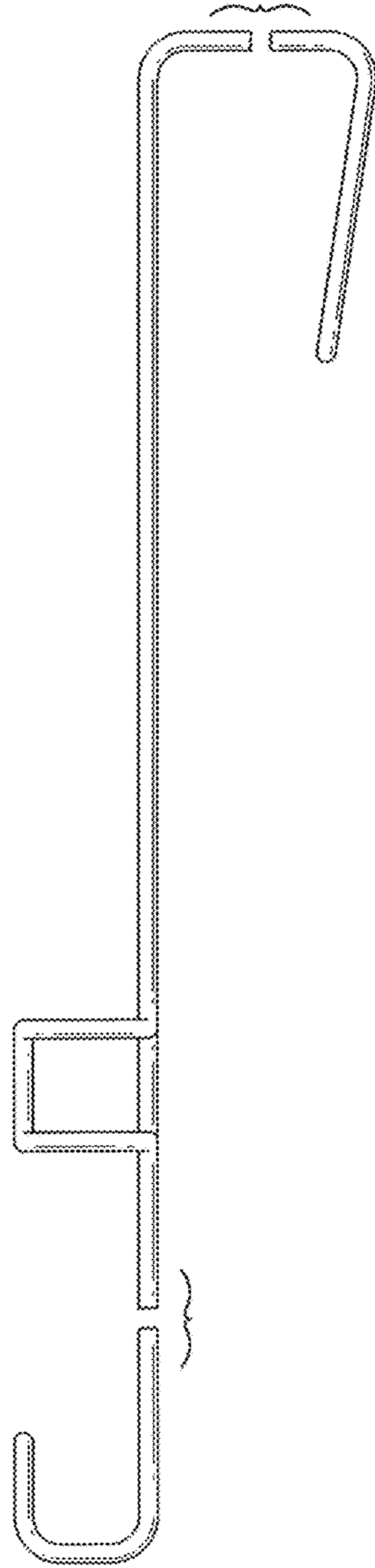


FIG. 5

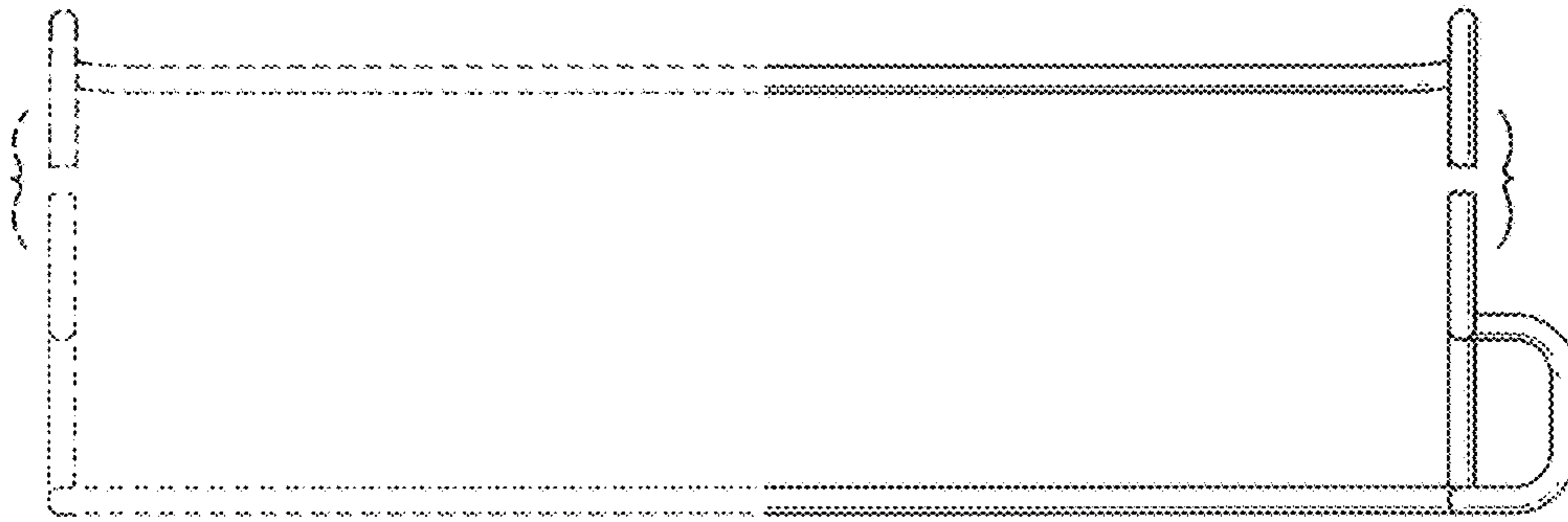


FIG. 6

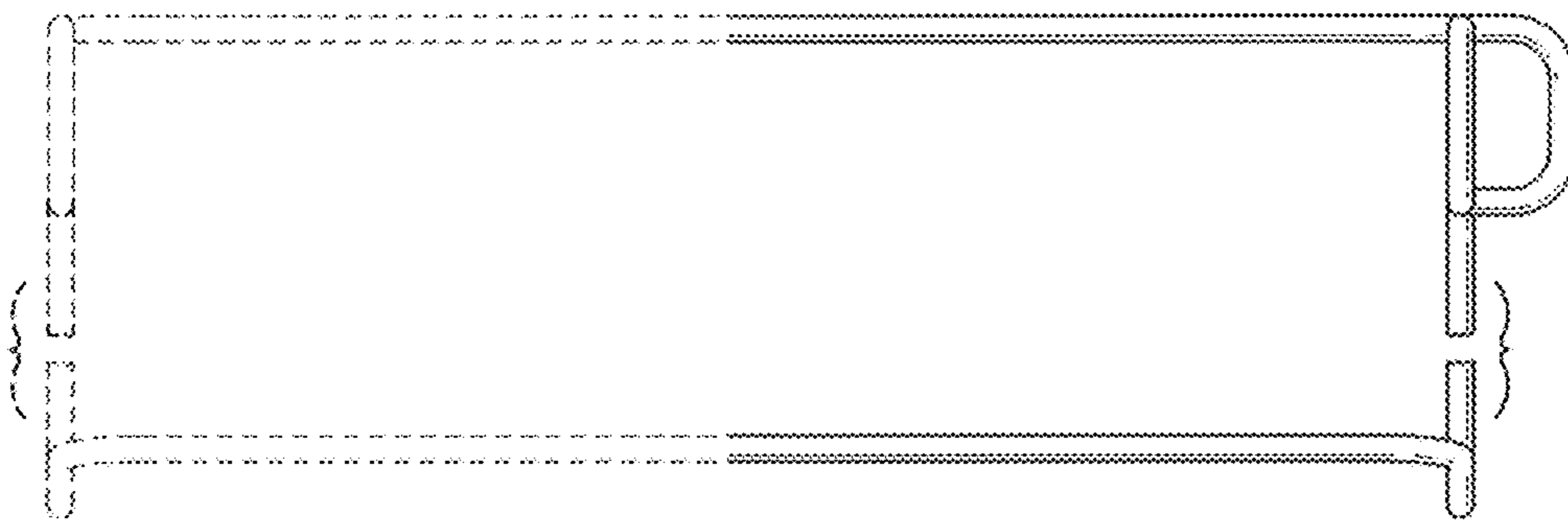


FIG. 7