

US00D832610S

(12) **United States Design Patent** (10) **Patent No.:** **US D832,610 S**
Abbott et al. (45) **Date of Patent:** **** Nov. 6, 2018**

(54) **TOILET PAPER HOLDER WITH DEVICE SHELF**

FOREIGN PATENT DOCUMENTS

(71) Applicants: **Brian F. Abbott**, Fort Worth, TX (US);
Brad T. Bush, Haslet, TX (US)

WO 2005/037045 A1 4/2005

Primary Examiner — Wan Laymon
Assistant Examiner — Mark Booker

(72) Inventors: **Brian F. Abbott**, Fort Worth, TX (US);
Brad T. Bush, Haslet, TX (US)

(74) *Attorney, Agent, or Firm* — Geoffrey E. Dobbin;
Dobbin IP Law P.C.

(**) Term: **15 Years**

(57) **CLAIM**

(21) Appl. No.: **29/584,828**

The ornamental design for a toilet paper holder with device shelf, as shown and described.

(22) Filed: **Nov. 17, 2016**

(51) **LOC (11) Cl.** **23-02**

(52) **U.S. Cl.**
USPC **D6/523**

DESCRIPTION

(58) **Field of Classification Search**
USPC D6/523, 515, 516, 518–521, 546, 549;
211/13.1, 123, 124; 221/26, 33,
221/282–283; 222/173, 180; 242/270,
242/520, 555, 590, 595, 597, 596.4,
242/596.6; 248/309.1, 309.2, 905;
225/46
CPC A47K 10/12; A47K 10/38; A47K 10/22;
A47K 10/40; A47K 2010/3233; A47K
2010/3863; A47K 10/3836; A47K
10/3827; A47K 10/32; A47K 10/10;
A47K 2201/02

FIG. 1 is a perspective view of the toilet paper holder with device shelf in use.
FIG. 2 is an exploded view of the toilet paper holder with device shelf of FIG. 1.
FIG. 3 is a perspective view of the toilet paper holder with device shelf.
FIG. 4 is an alternate perspective view of the toilet paper holder with device shelf.
FIG. 5 is a top plan view of the toilet paper holder with device shelf.
FIG. 6 is a bottom plan view of the toilet paper holder with device shelf.
FIG. 7 is a front elevation of the toilet paper holder with device shelf.
FIG. 8 is a right elevation of the toilet paper holder with device shelf.
FIG. 9 is a left elevation of the toilet paper holder with device shelf; and,
FIG. 10 is a rear perspective view of the toilet paper holder with device shelf.

See application file for complete search history.

The broken lines shown in the Figures are illustrative of environment or show unclaimed portions of the toilet paper holder with device shelf and are not intended to form a part of the claimed design.

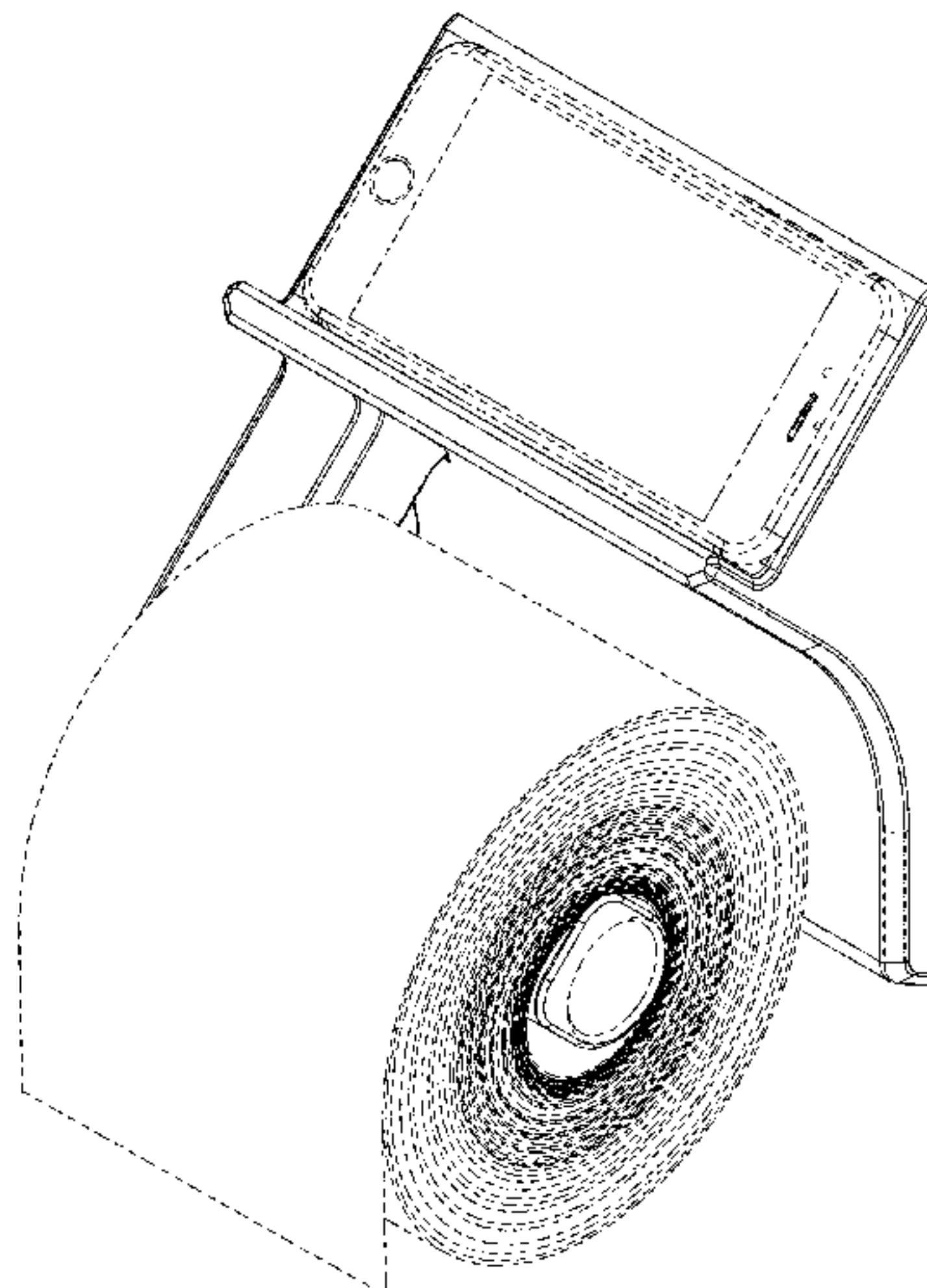
(56) **References Cited**

U.S. PATENT DOCUMENTS

| | | | | |
|-----------|-----|---------|-------------|--------|
| 1,336,140 | A | 4/1920 | Howard | |
| 2,605,975 | A | 8/1952 | Page et al. | |
| 2,702,672 | A | 2/1955 | Bonsignore | |
| 3,799,467 | A | 3/1974 | Bauman | |
| D266,213 | S * | 9/1982 | Heil | D6/523 |
| D305,488 | S * | 1/1990 | Korpijaako | D6/523 |
| 5,248,105 | A | 9/1993 | Cooker | |
| D573,821 | S * | 7/2008 | Rubin | D6/523 |
| D628,417 | S * | 12/2010 | Benedetti | D6/523 |

(Continued)

1 Claim, 6 Drawing Sheets



(56)

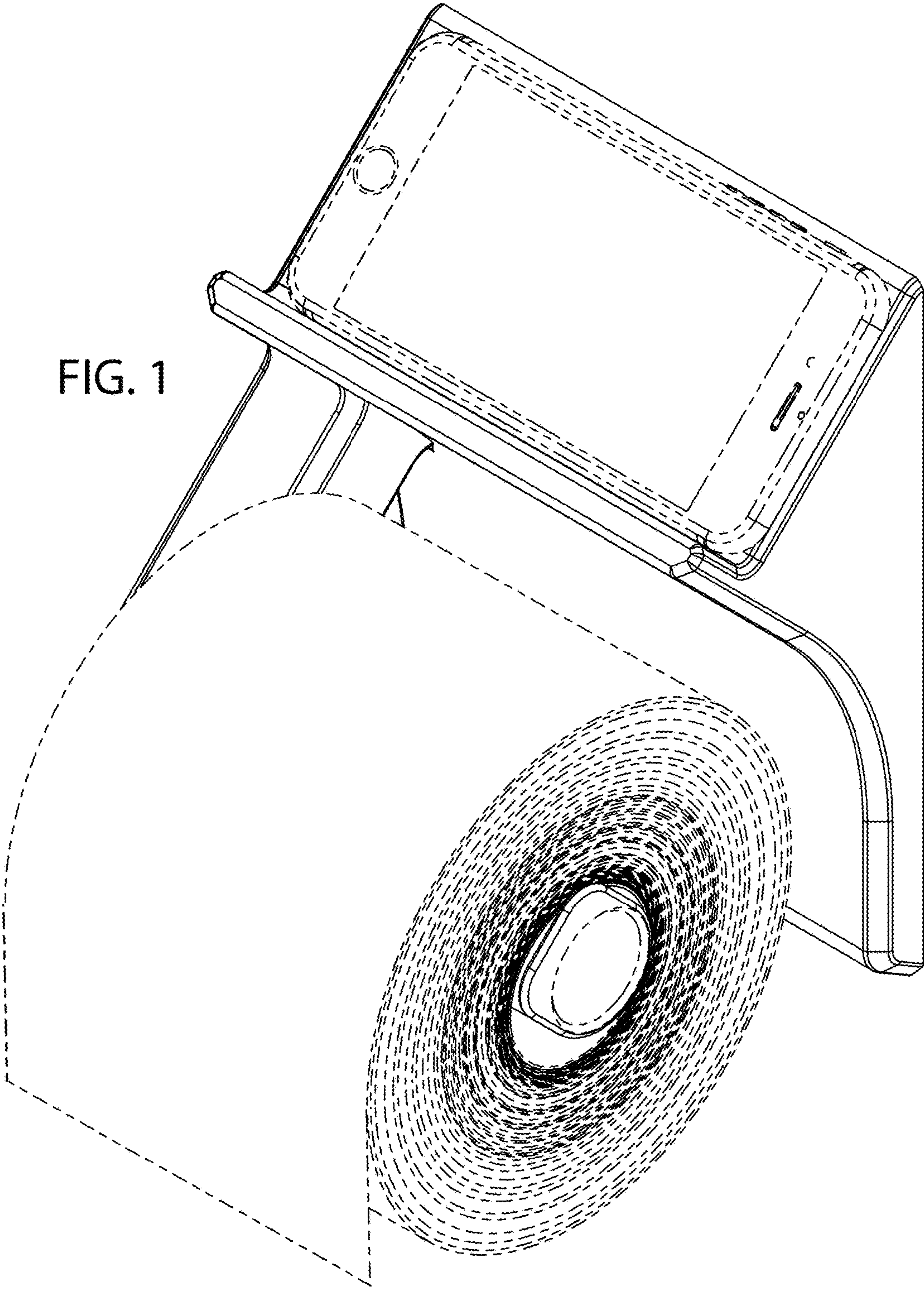
References Cited

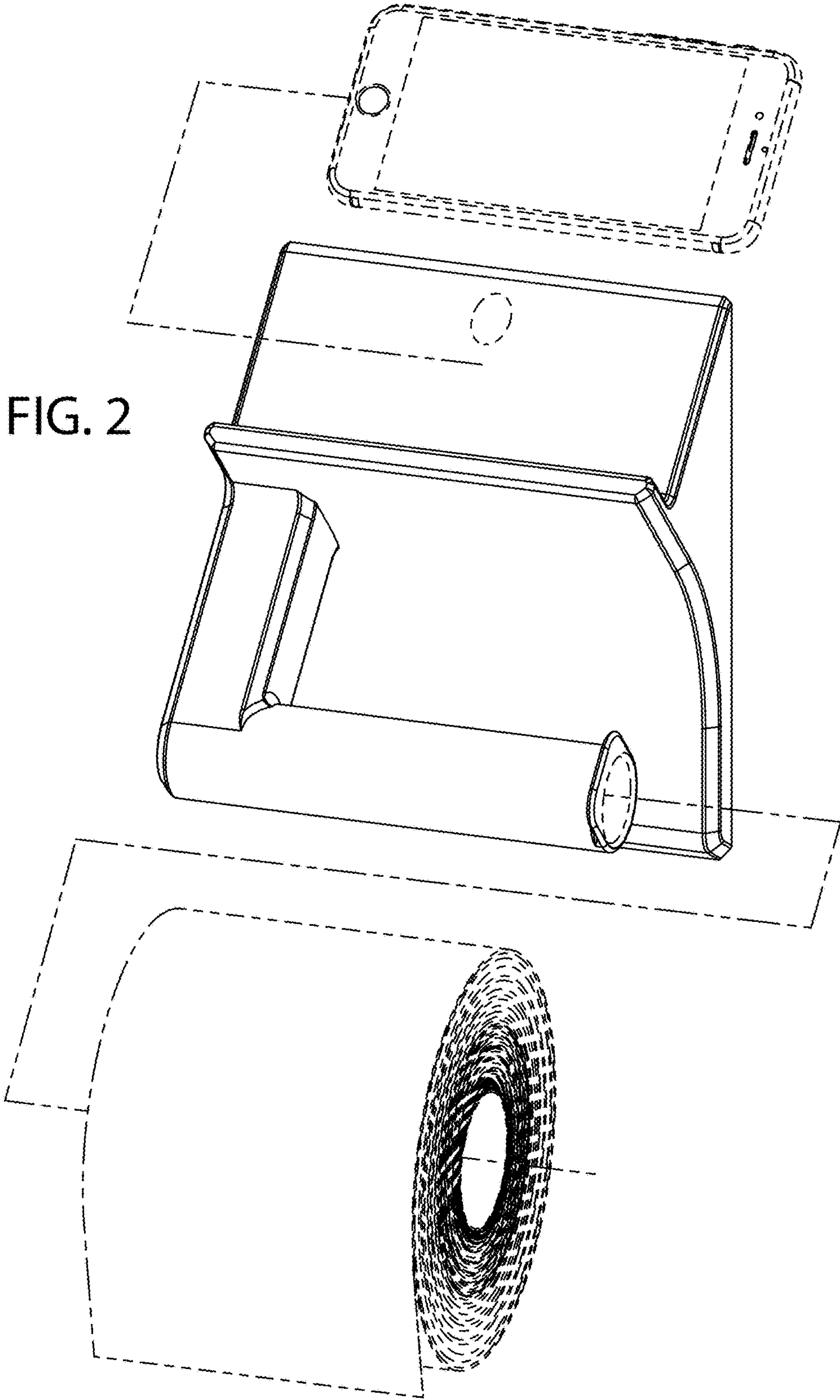
U.S. PATENT DOCUMENTS

2002/0100786 A1* 8/2002 Orihara A47K 10/38
225/46
2003/0230666 A1* 12/2003 Chlipalski A47K 10/40
242/596.4
2007/0018544 A1 1/2007 Bright
2007/0034149 A1 2/2007 Gonzalez Escobar

* cited by examiner

FIG. 1





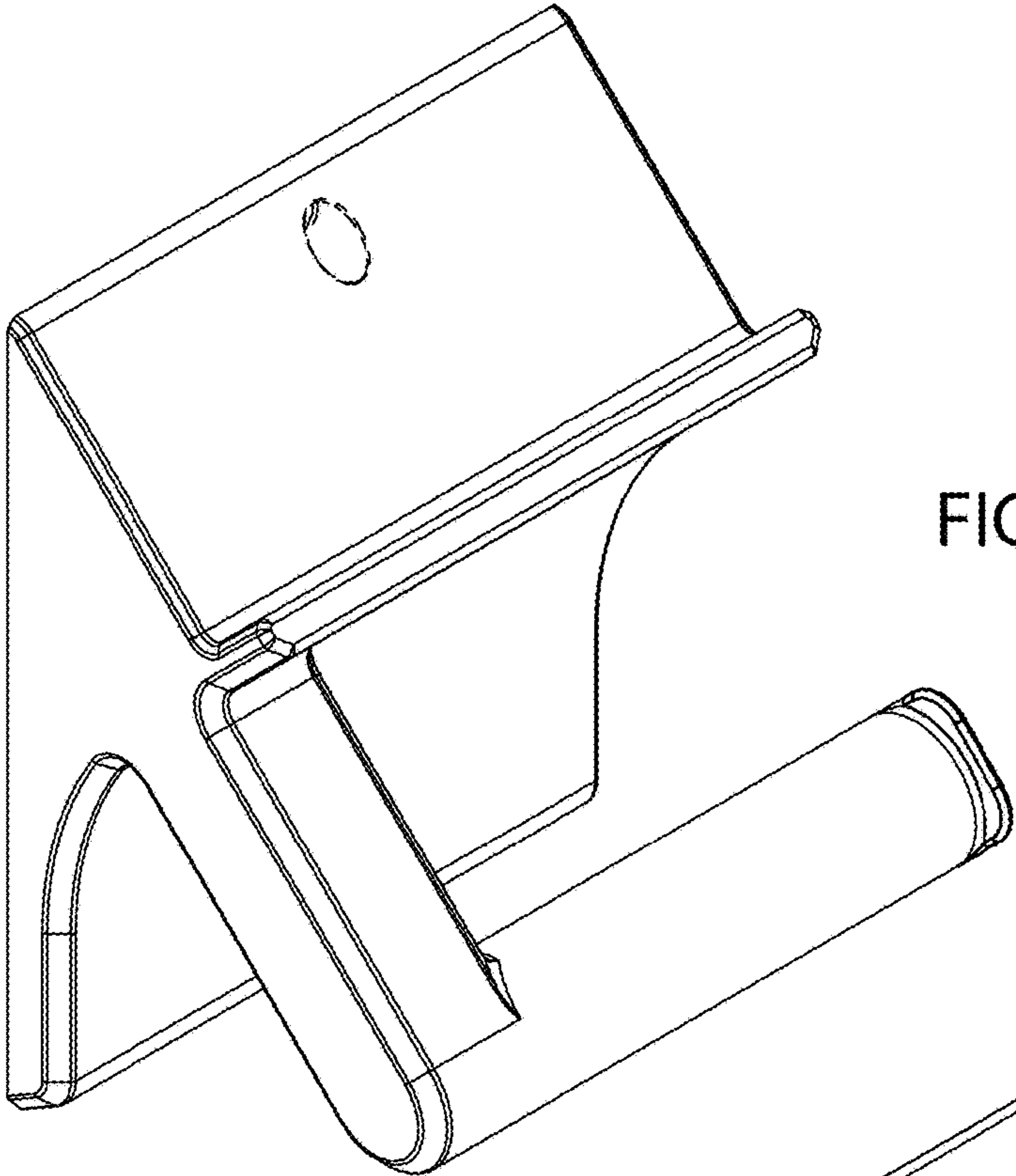


FIG. 3

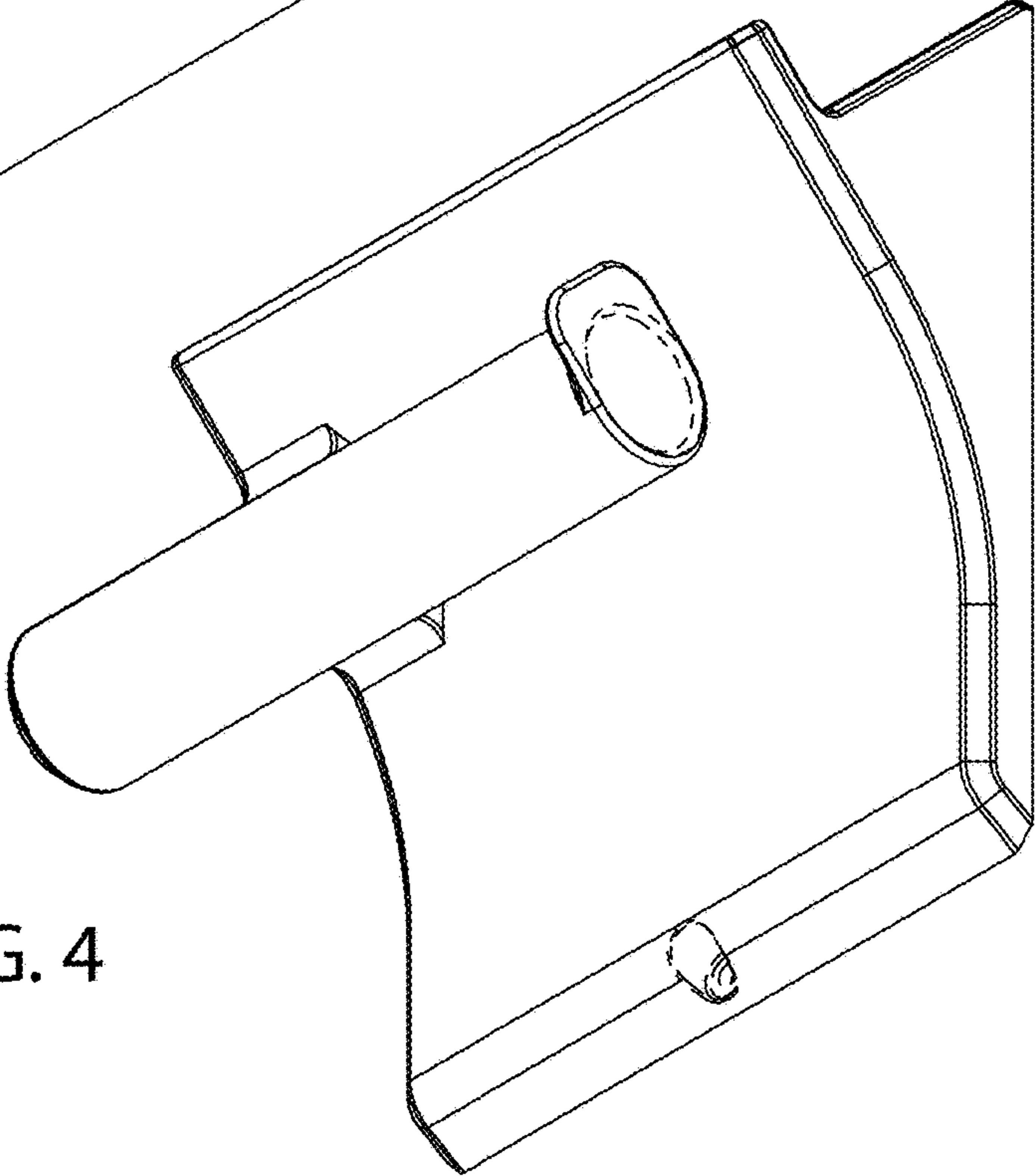


FIG. 4

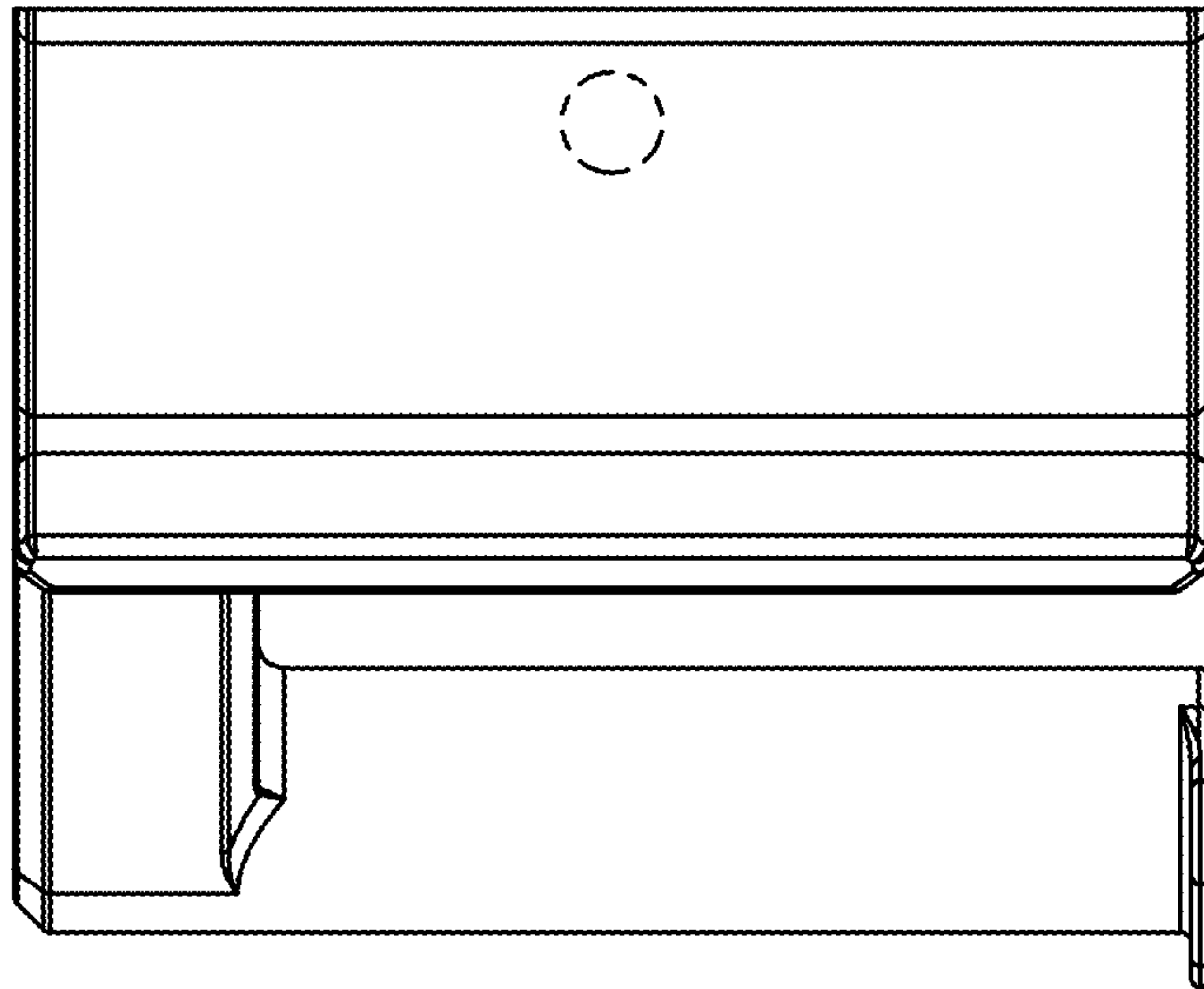


FIG. 5

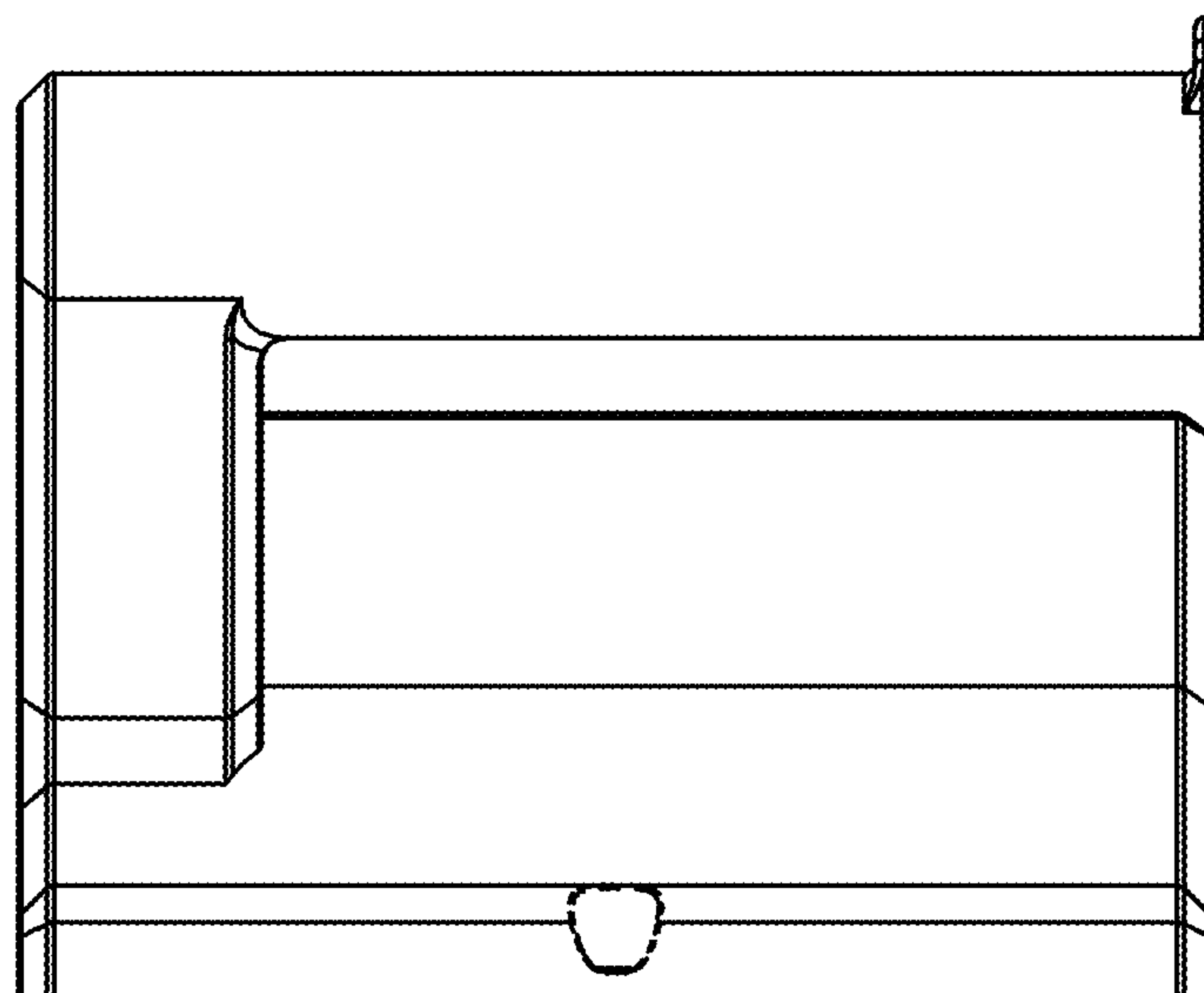


FIG. 6

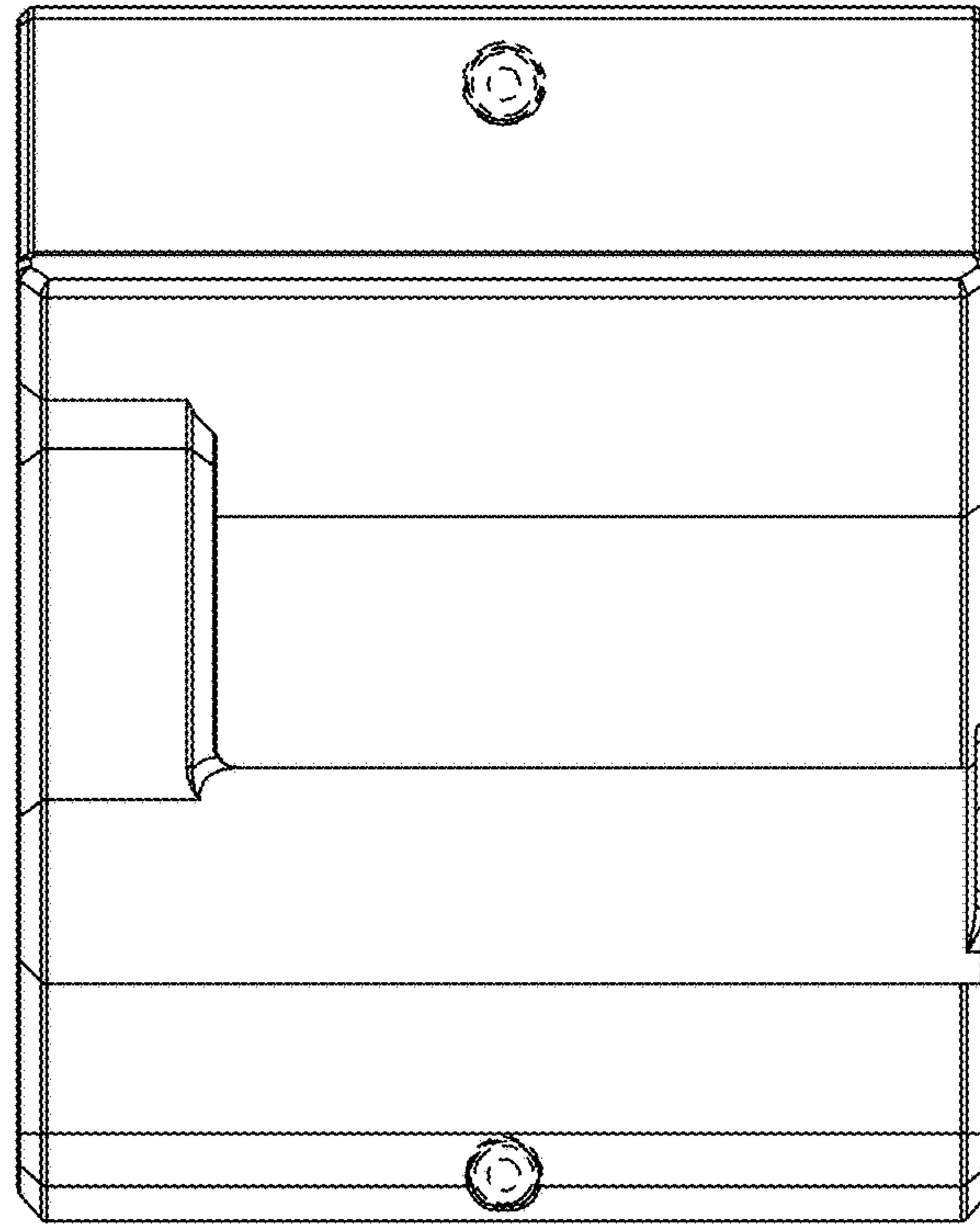


FIG. 7

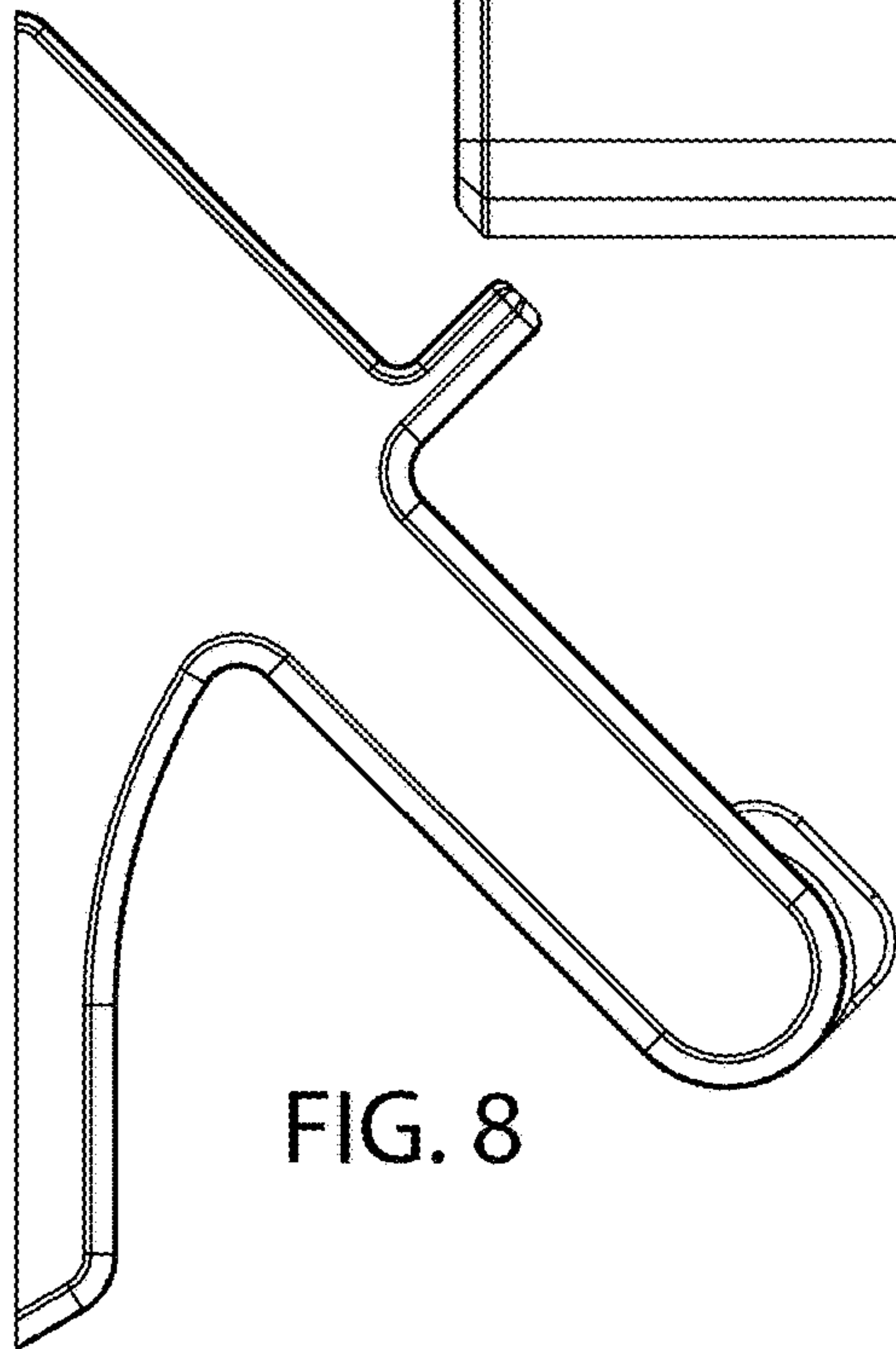


FIG. 8

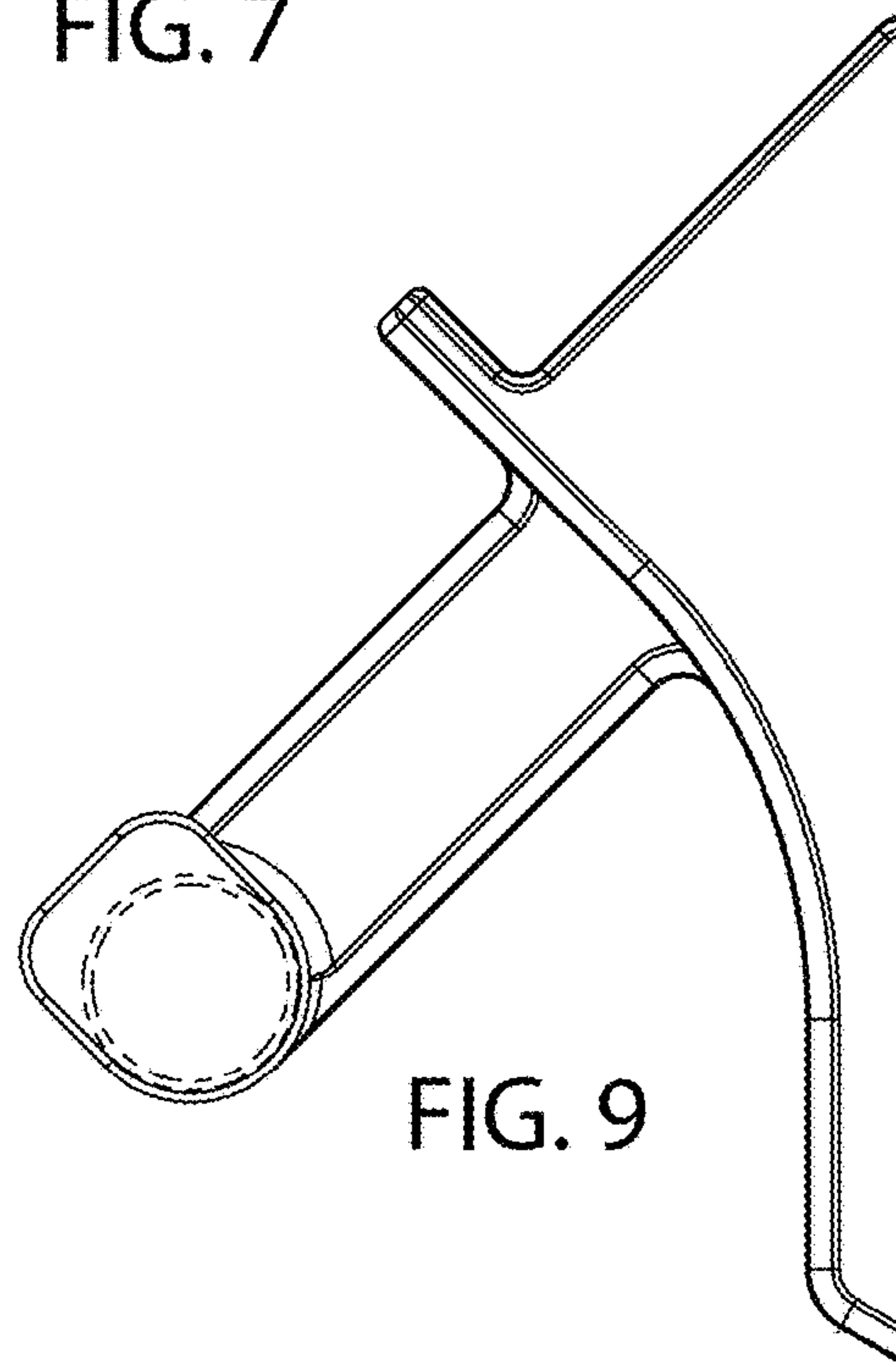


FIG. 9

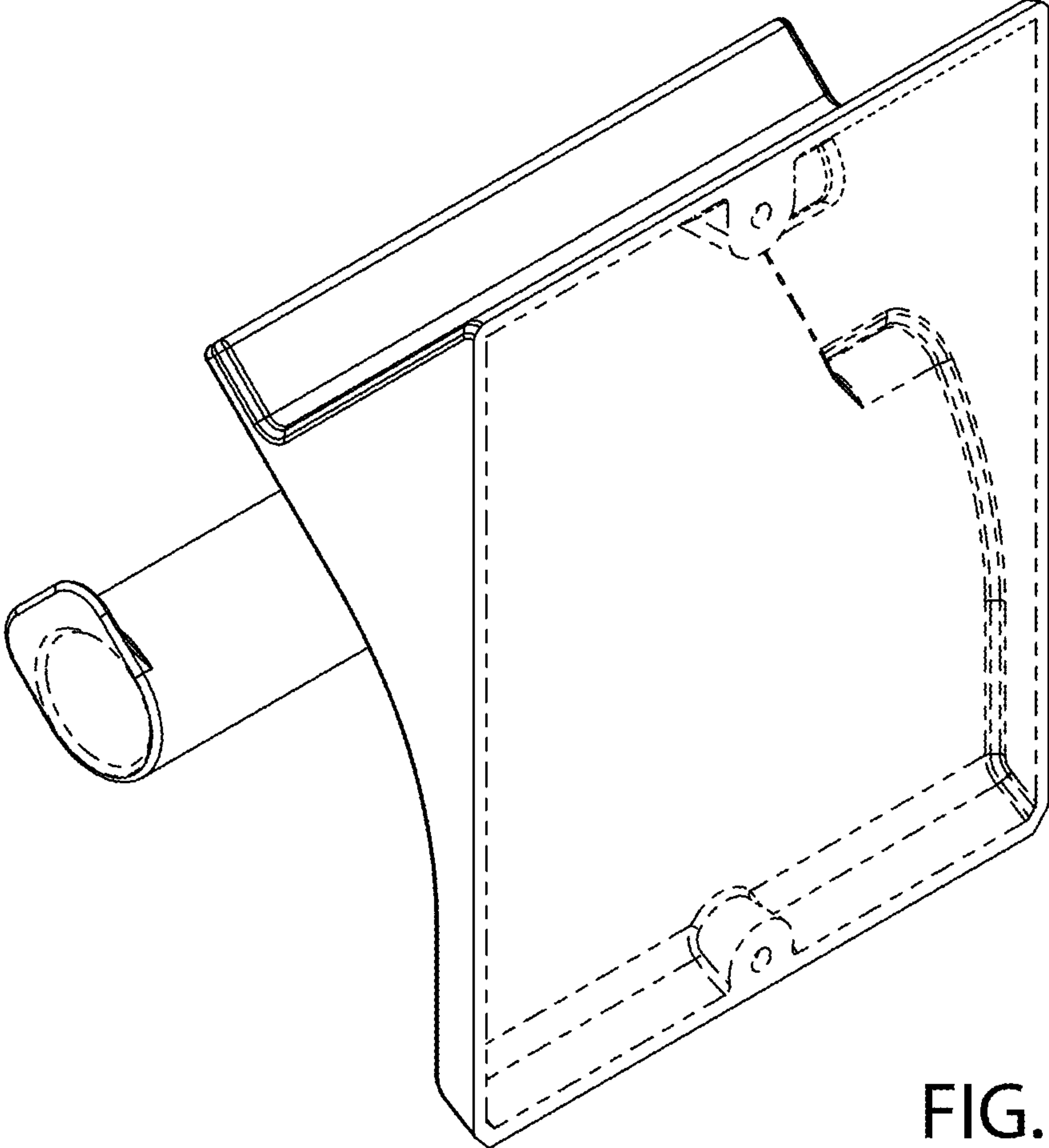


FIG. 10