



US00D832609S

(12) **United States Design Patent**  
**Hecht et al.**

(10) **Patent No.:** **US D832,609 S**  
(45) **Date of Patent:** **\*\* Nov. 6, 2018**

(54) **CHAIR**

(71) Applicant: **Herman Miller, Inc.**, Zeeland, MI (US)

(72) Inventors: **Sam Hecht**, London (GB); **Kimberlee Colin**, London (GB); **Philipp Von Lintel**, London (GB); **Ippei Matsumoto**, London (GB)

(73) Assignee: **HERMAN MILLER, INC.**, Zeeland, MI (US)

(\*\*) Term: **15 Years**

(21) Appl. No.: **29/557,761**

(22) Filed: **Mar. 11, 2016**

(51) **LOC (11) Cl.** ..... **06-01**

(52) **U.S. Cl.**  
USPC ..... **D6/377; D6/378**

(58) **Field of Classification Search**  
USPC ..... D6/334-336, 364, 371, 373, 377, 378,  
D6/381, 716, 716.1, 716.2, 716.4  
CPC ..... A47C 15/002; A47C 17/00; A47C 17/02;  
A47C 7/18; A47C 7/24; A47C 5/125;  
A47C 3/14; A47C 3/16; A47C 17/36  
See application file for complete search history.

(56) **References Cited**

**U.S. PATENT DOCUMENTS**

D181,945 S	1/1958	Saارين	
D257,301 S	10/1980	Nash	
D262,166 S	* 12/1981	Aronowitz	..... D6/378
D264,403 S	5/1982	Webb	
D265,443 S	* 7/1982	Webb	..... D6/377
D278,581 S	4/1985	Melchior	
D288,506 S	3/1987	Ochsner	
D327,583 S	7/1992	Dettinger	
D335,779 S	5/1993	Newhouse	
D337,450 S	7/1993	Dettinger	
D338,112 S	8/1993	Hutton	

D354,633 S	1/1995	Frinier	
D367,365 S	2/1996	Hutton	
D437,495 S	* 2/2001	Gibson	..... D6/334
D465,360 S	11/2002	Ratza et al.	
D485,996 S	2/2004	Stanton	
D505,277 S	5/2005	Tapinassi et al.	
D508,787 S	8/2005	Natuzzi	
D509,370 S	9/2005	Natuzzi	
D530,527 S	10/2006	Jourdan	
D549,471 S	8/2007	Bauchet	
D549,971 S	9/2007	Jourdan	
D550,464 S	9/2007	Bauchet	
D579,224 S	10/2008	Fancelli	
D678,691 S	3/2013	Frinier	

(Continued)

*Primary Examiner* — Mimosa De

(74) *Attorney, Agent, or Firm* — Michael Best & Friedrich LLP

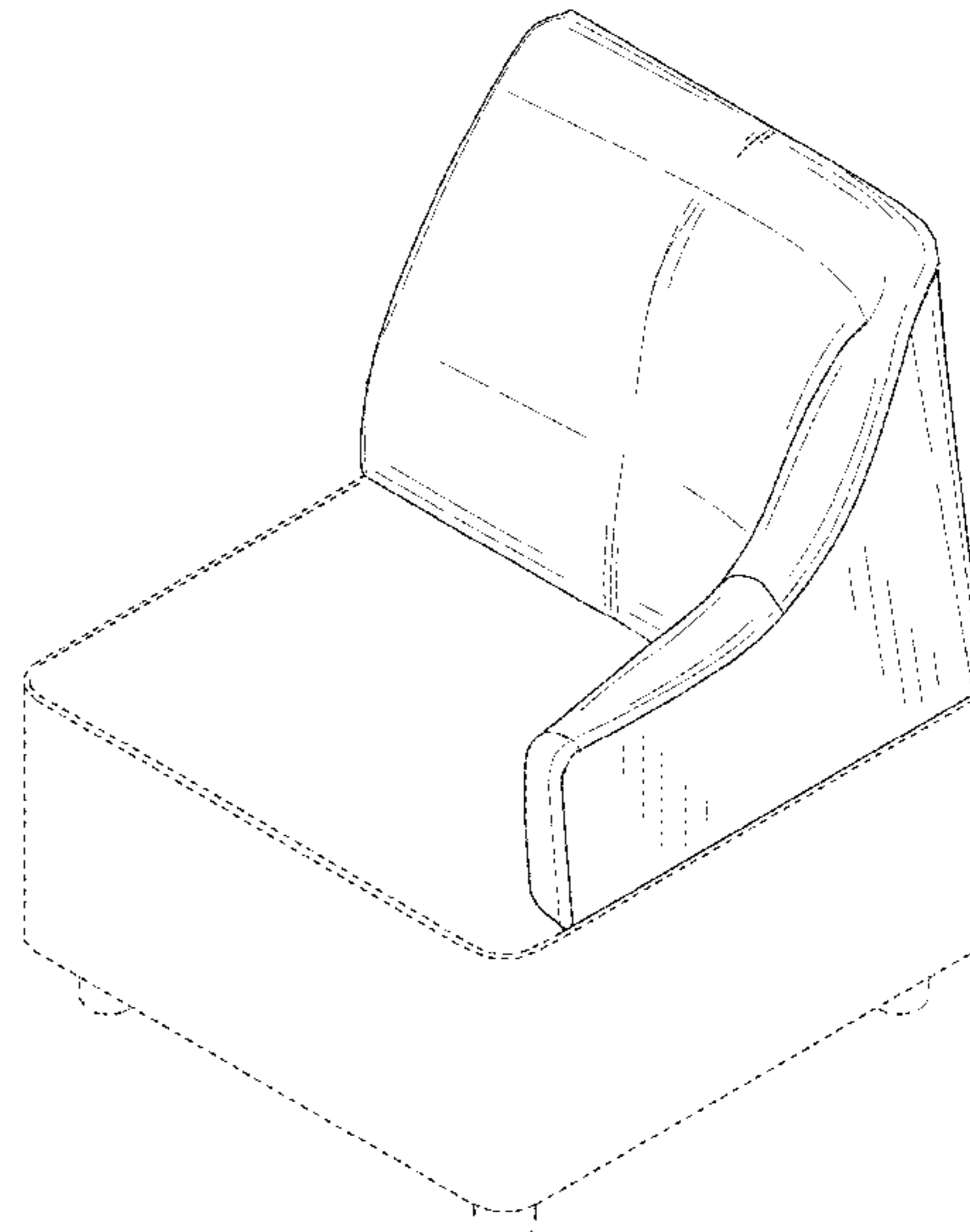
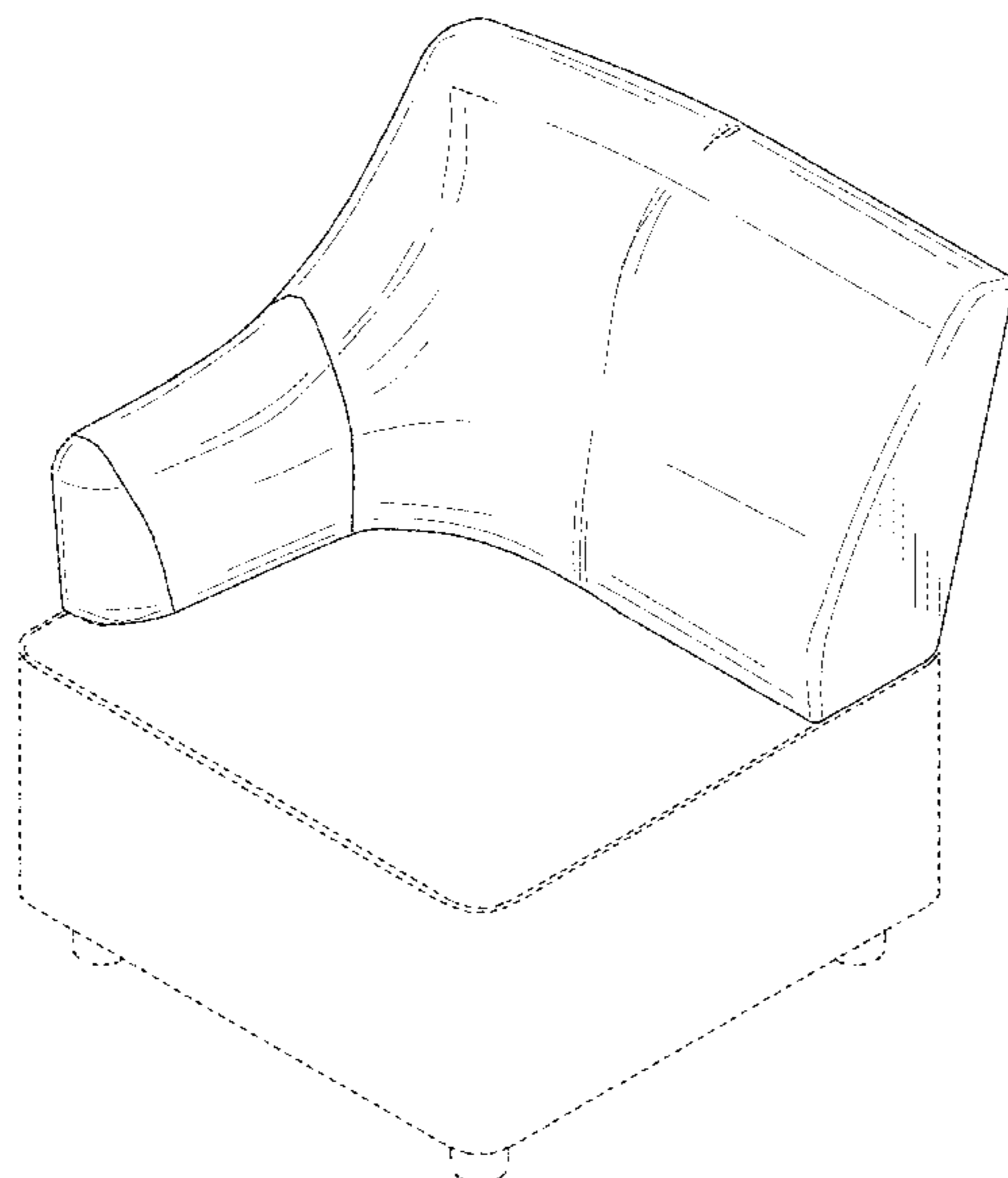
(57) **CLAIM**

We claim the ornamental design for a chair, as shown and described.

**DESCRIPTION**

FIG. 1 is a perspective view of a chair embodying the invention.  
 FIG. 2 is a front view of the chair of FIG. 1.  
 FIG. 3 is a rear view of the chair of FIG. 1.  
 FIG. 4 is a first side view of the chair of FIG. 1.  
 FIG. 5 is a second side view of the chair of FIG. 1.  
 FIG. 6 is a top view of the chair of FIG. 1.  
 FIG. 7 is a perspective view of a chair embodying the invention.  
 FIG. 8 is a front view of the chair of FIG. 7.  
 FIG. 9 is a rear view of the chair of FIG. 7.  
 FIG. 10 is a first side view of the chair of FIG. 7.  
 FIG. 11 is a second side view of the chair of FIG. 7; and,  
 FIG. 12 is a top view of the chair of FIG. 7.  
 Portions of the seat shown in broken lines form no part of the claimed design.

**1 Claim, 12 Drawing Sheets**



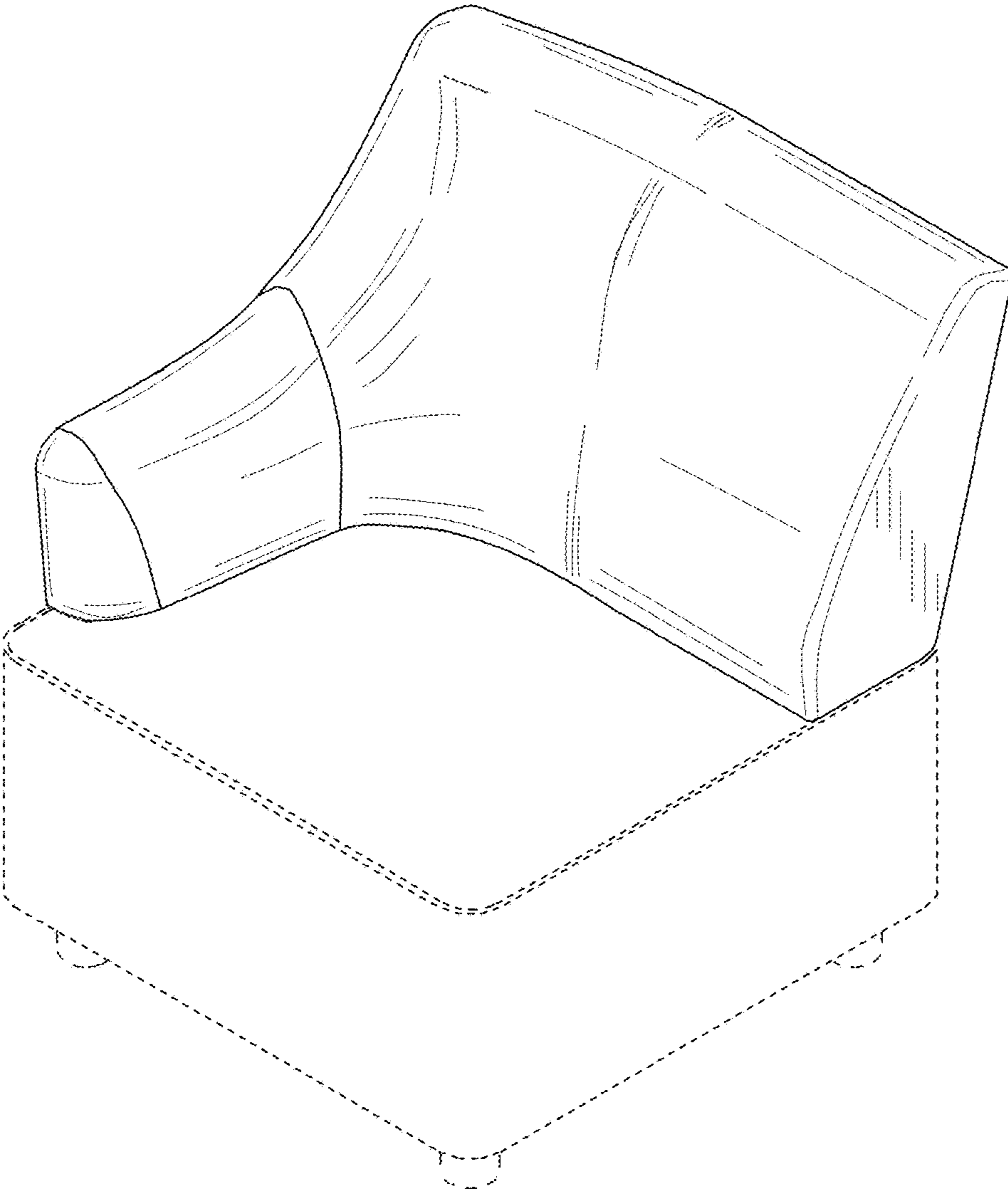
(56)

**References Cited**

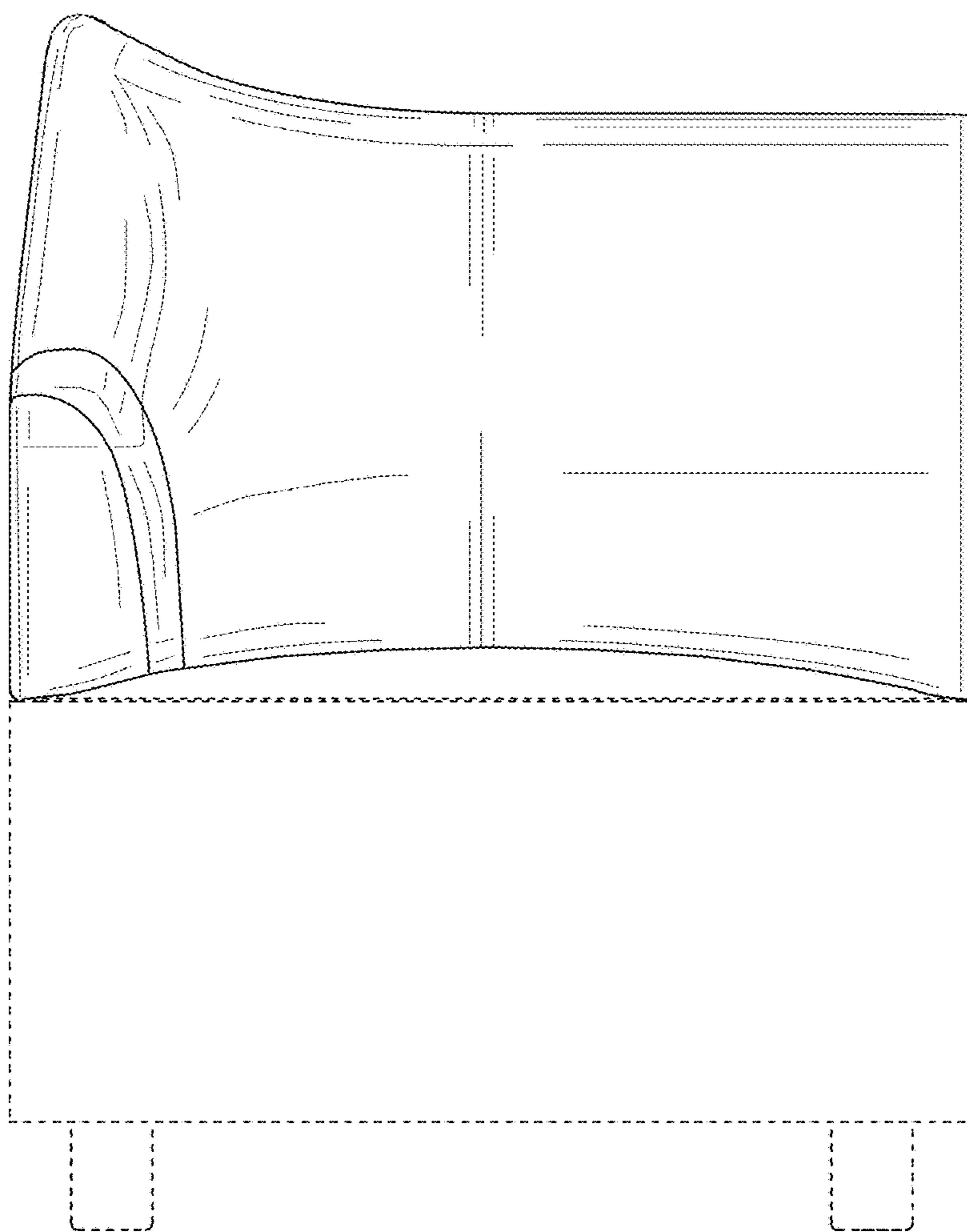
U.S. PATENT DOCUMENTS

D684,785 S	6/2013	Hwangbo et al.	
D704,469 S *	5/2014	Gaschy .....	D6/378
D708,451 S *	7/2014	Gaschy .....	D6/378
D728,958 S *	5/2015	Kubryk .....	D6/377
D730,670 S	6/2015	Kubryk	
D766,006 S	9/2016	Lewis	
D766,640 S	9/2016	Kubryk	
D767,318 S	9/2016	Kubryk	

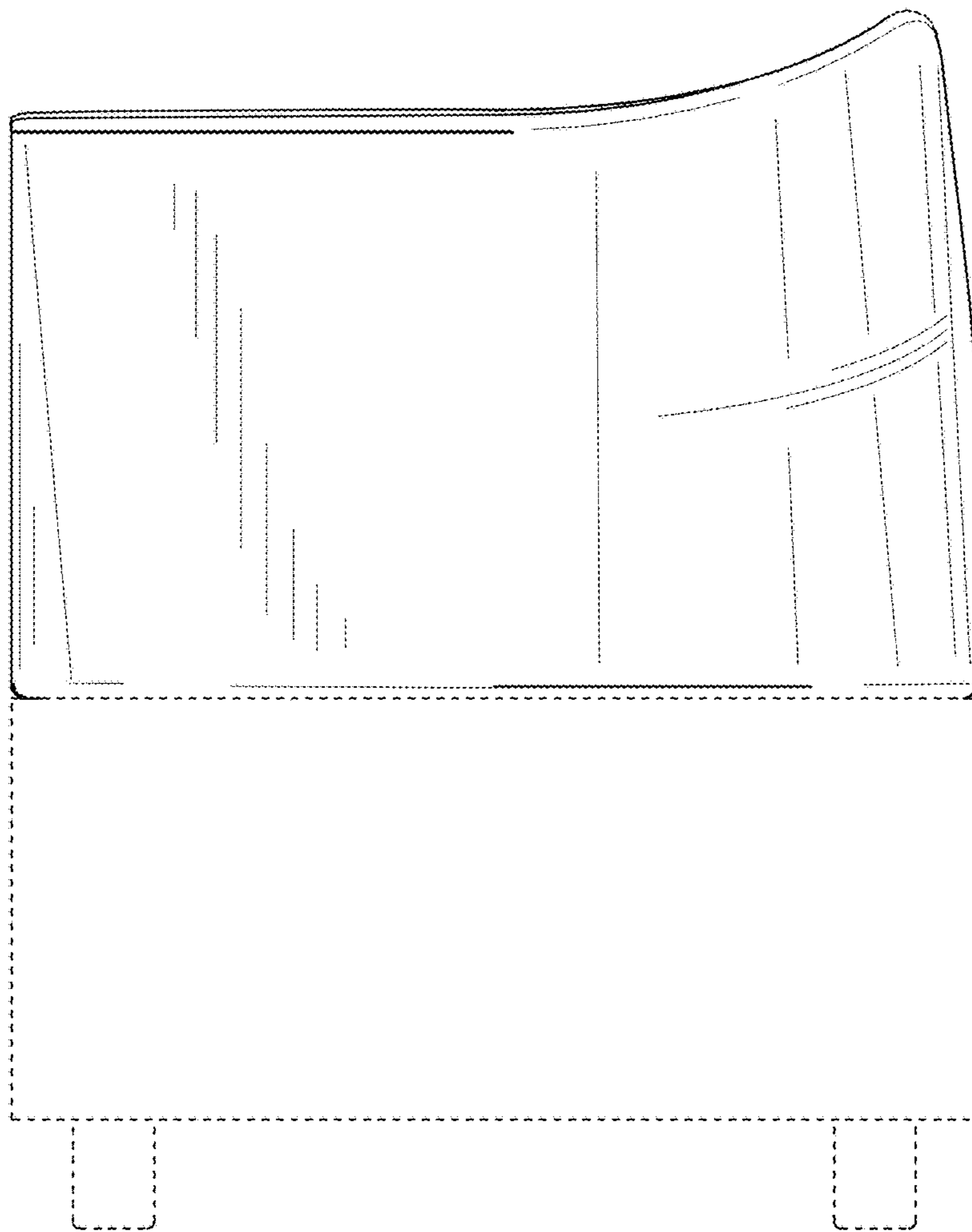
\* cited by examiner



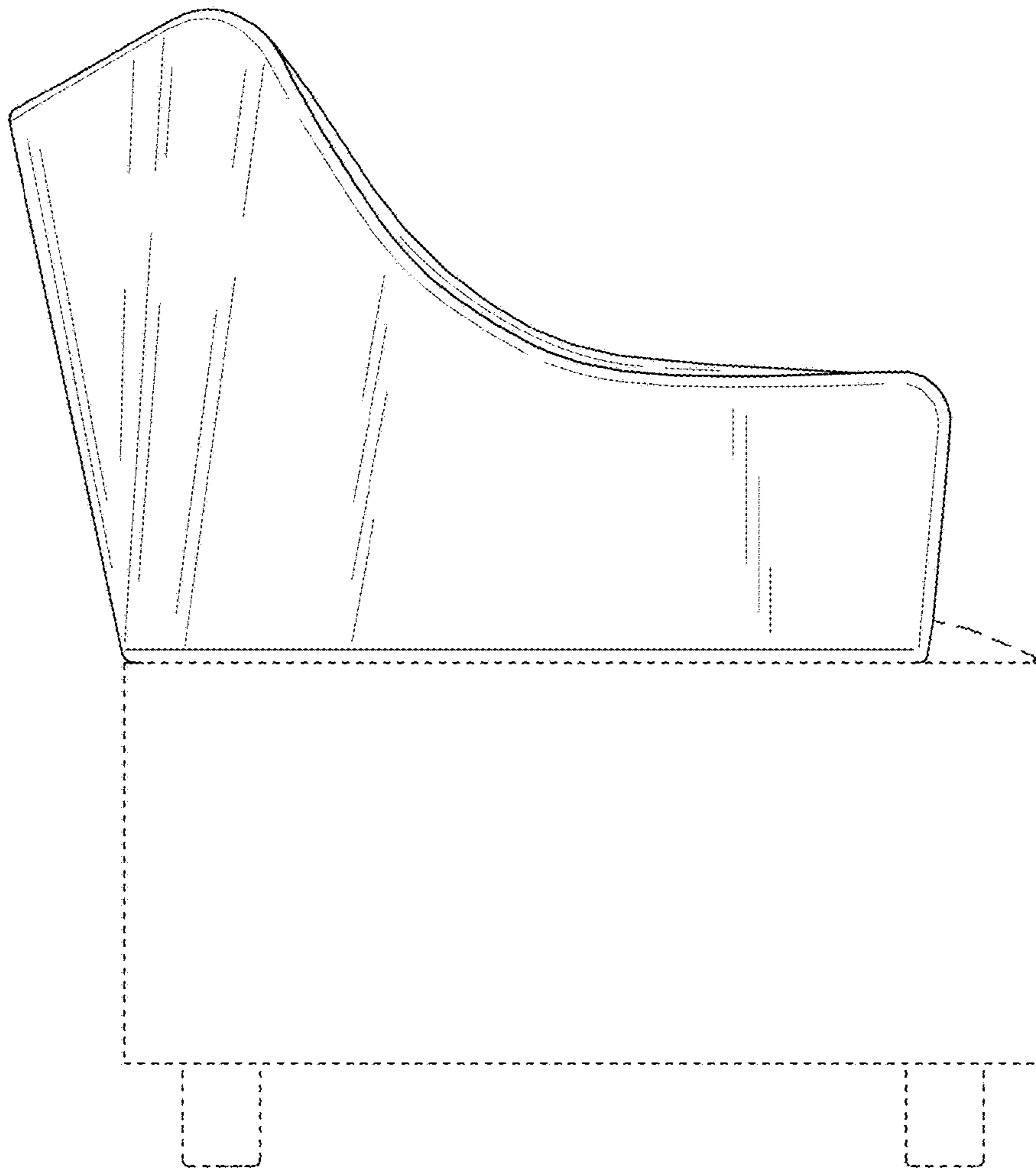
**FIG. 1**



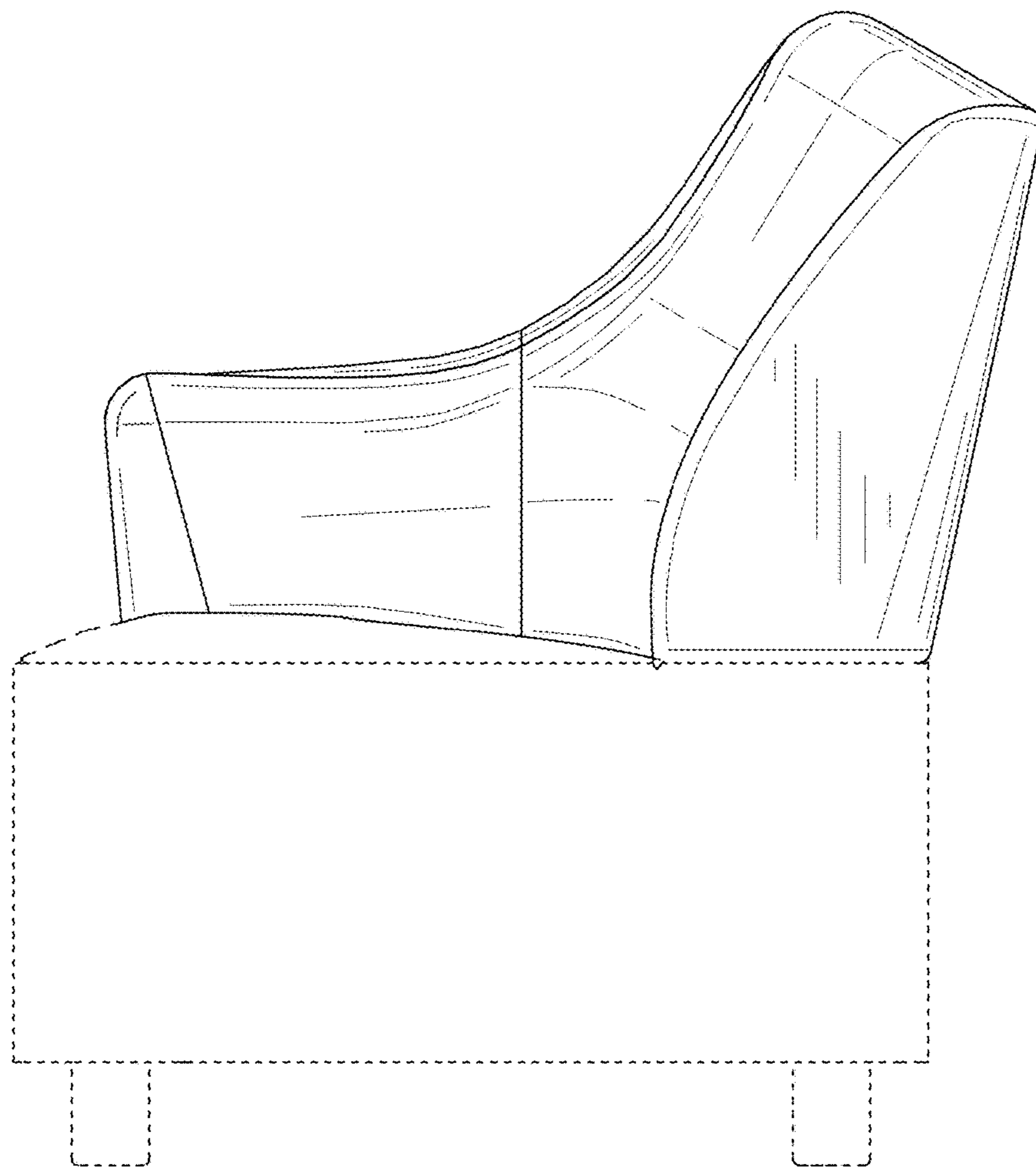
**FIG. 2**



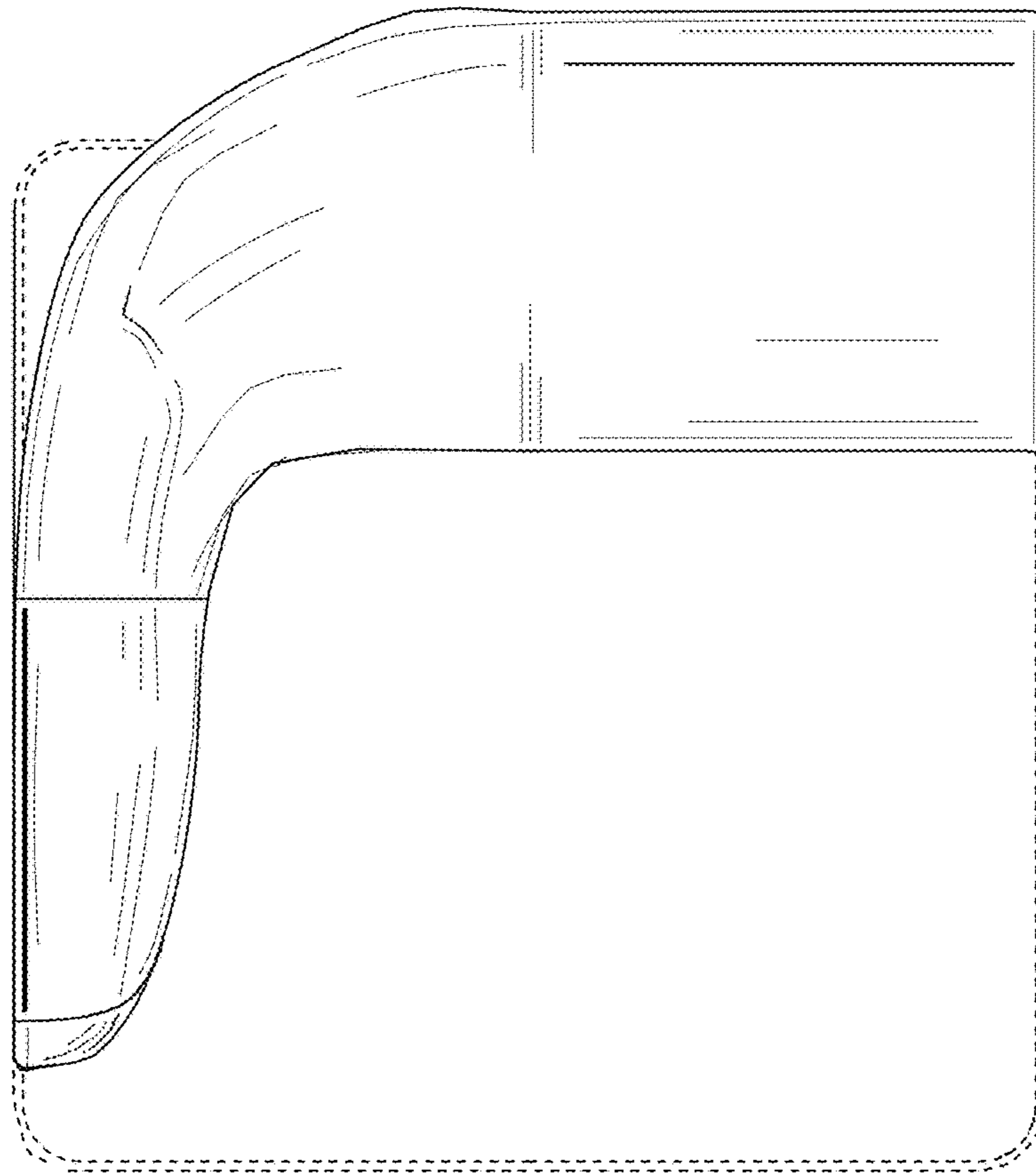
**FIG. 3**



**FIG. 4**

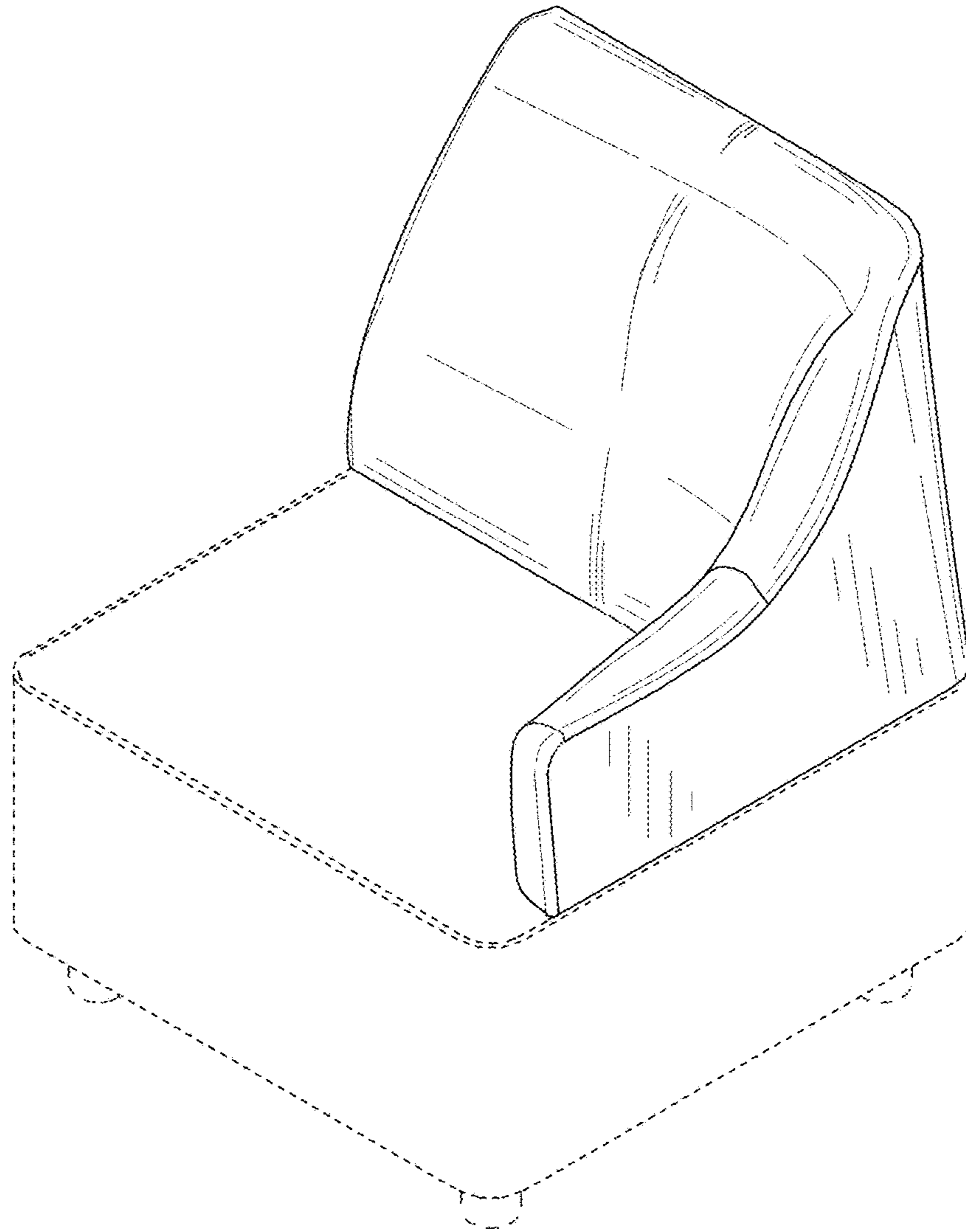


**FIG. 5**



**FIG. 6**





**FIG. 7**

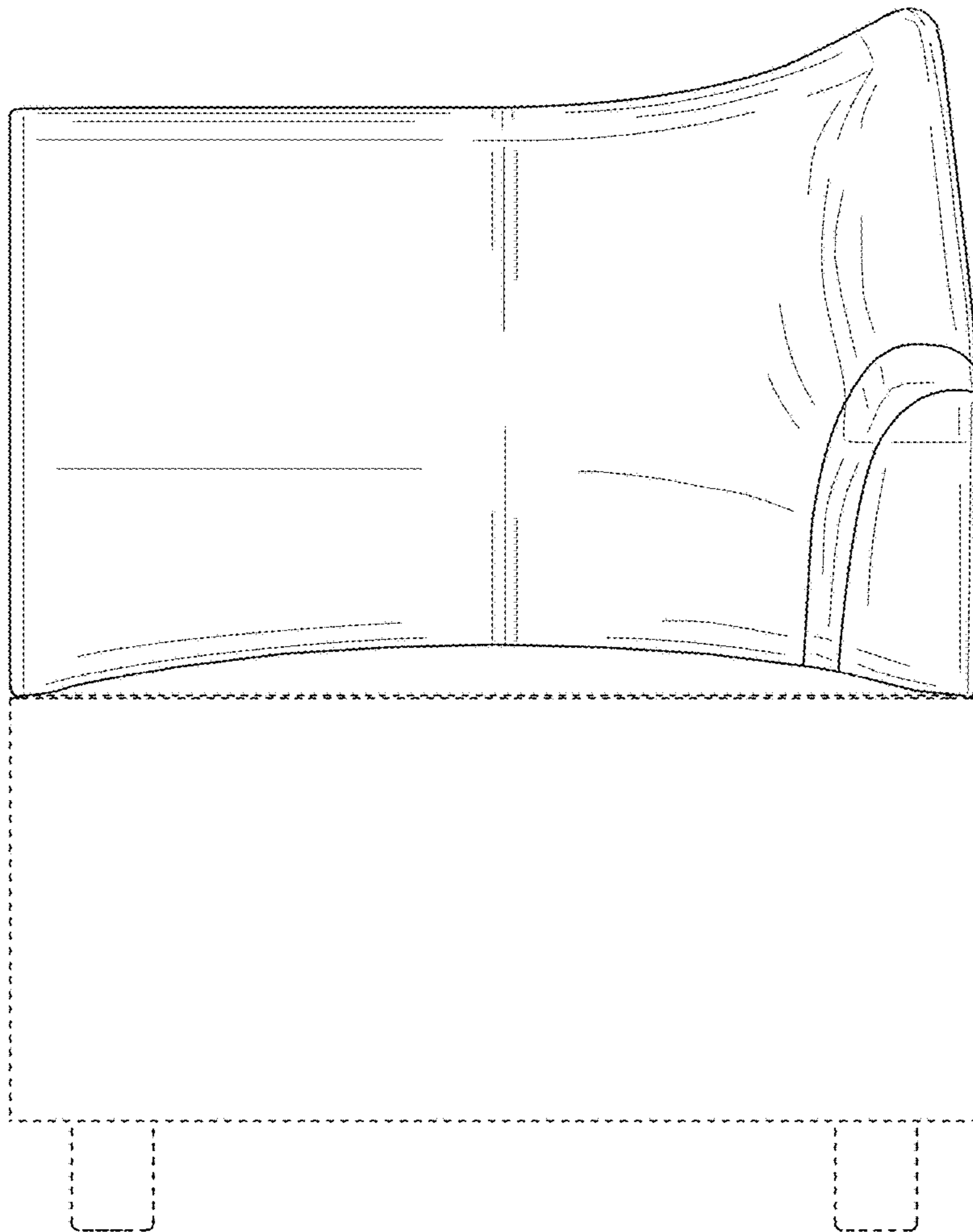
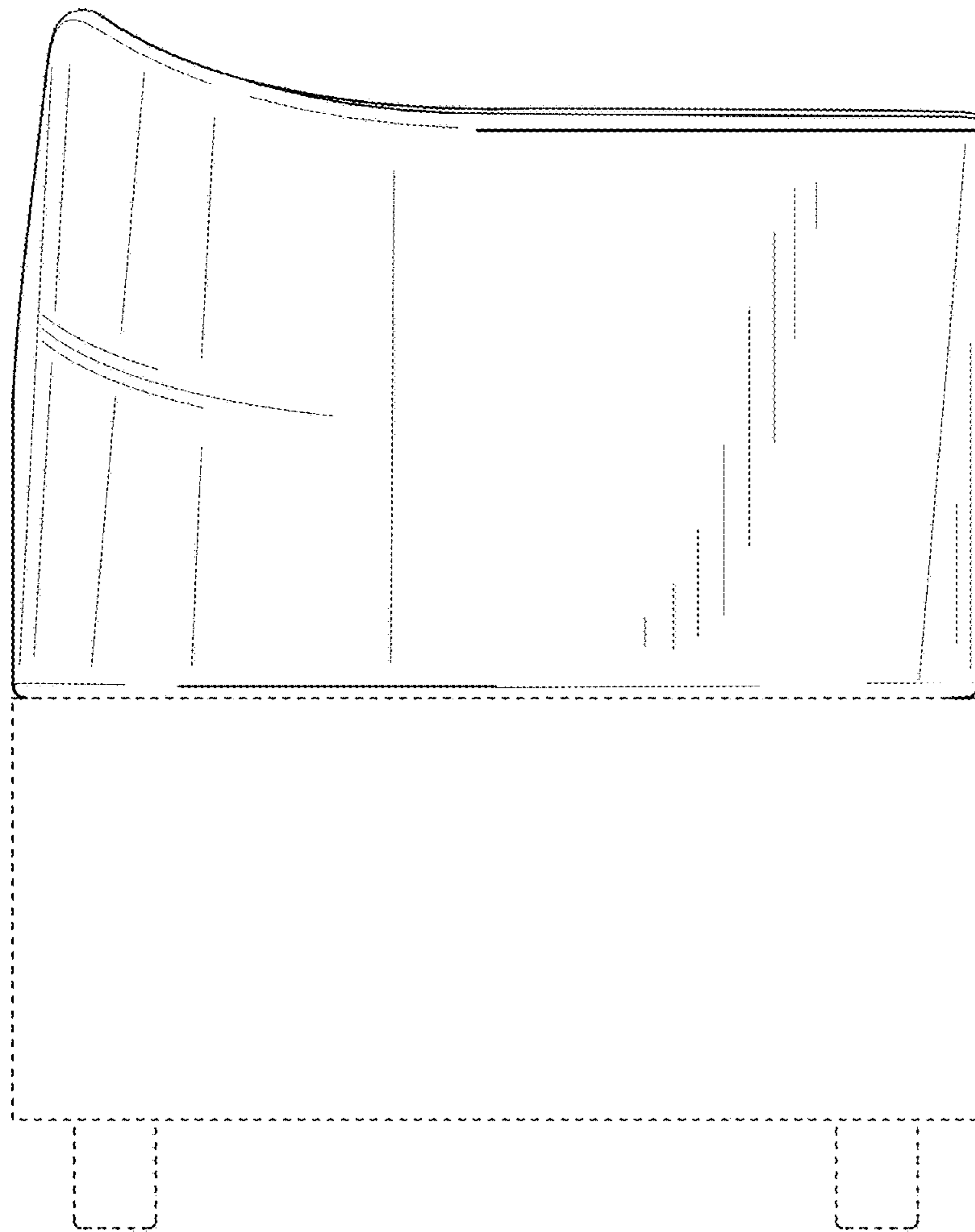
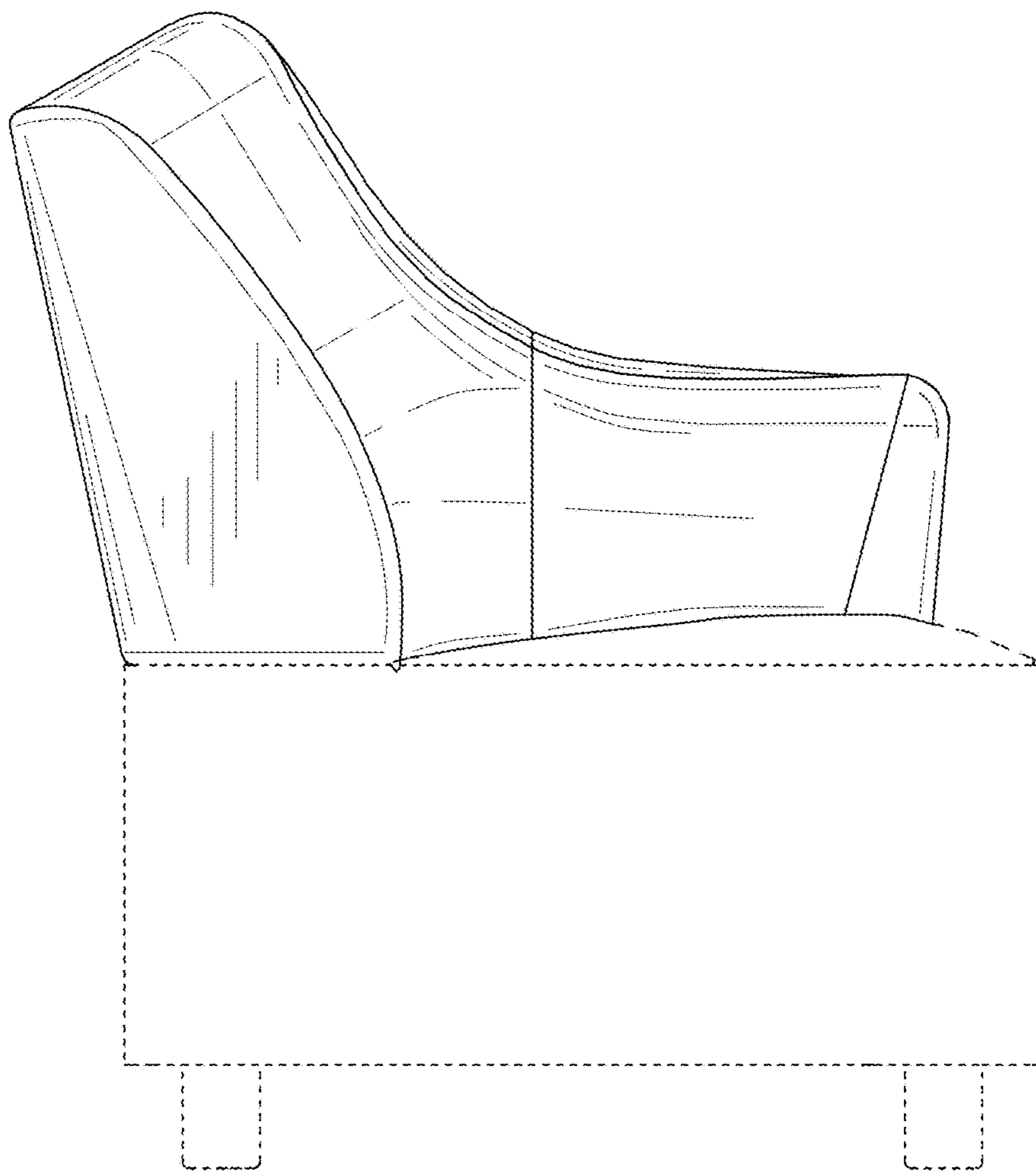


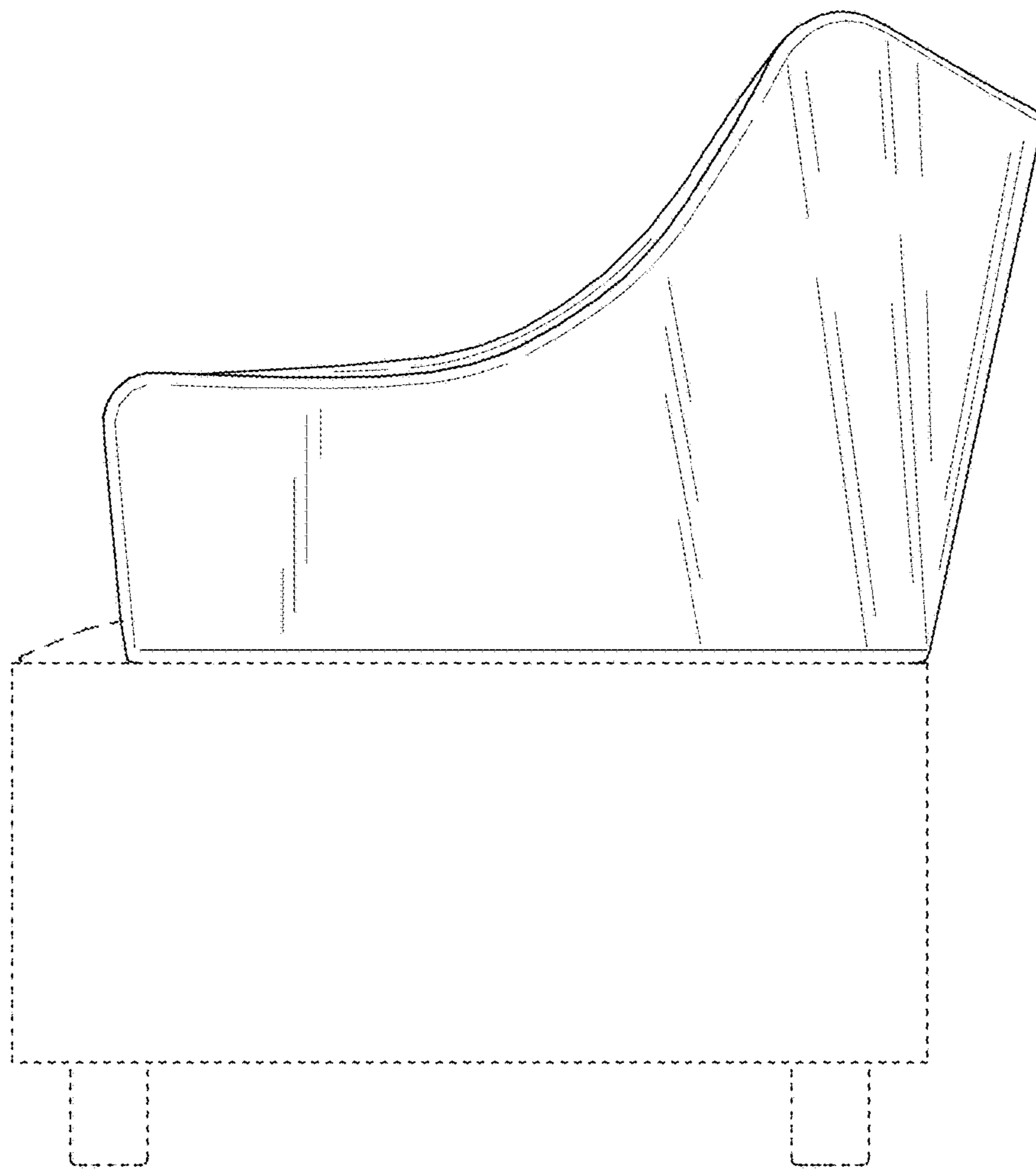
FIG. 8



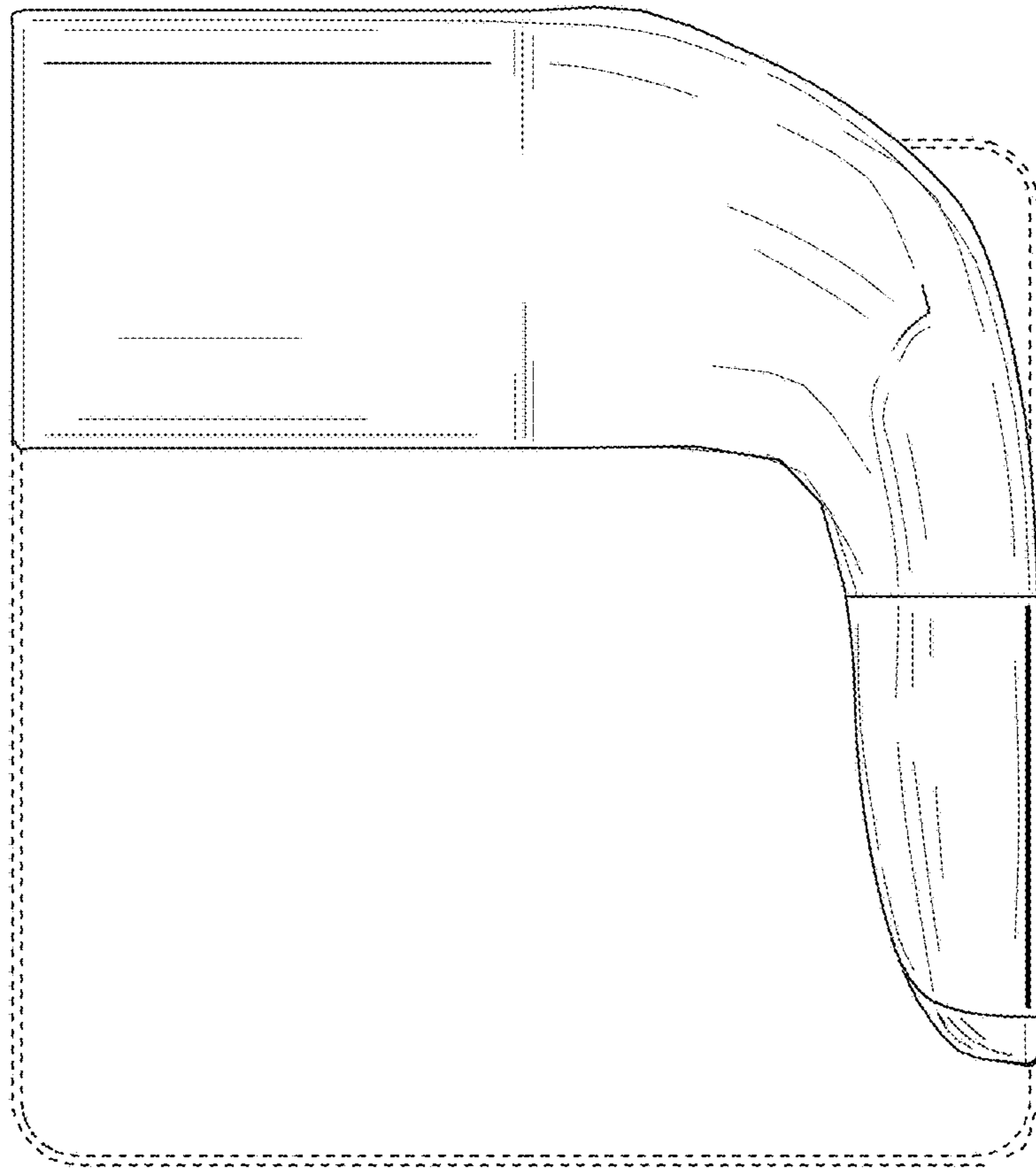
**FIG. 9**



**FIG. 10**



**FIG. 11**



**FIG. 12**