



US00D832607S

(12) **United States Design Patent**
Inovero

(10) **Patent No.:** **US D832,607 S**

(45) **Date of Patent:** **** Nov. 6, 2018**

(54) **SWIVEL CHAIR**

(71) Applicant: **BOND MANUFACTURING CO., INC.**, Antioch, CA (US)

(72) Inventor: **Trisha Inovero**, Caloocan (PH)

(73) Assignee: **Bond Manufacturing Co., Ltd.**, Antioch, CA (US)

(**) Term: **15 Years**

(21) Appl. No.: **29/605,835**

(22) Filed: **May 31, 2017**

(51) **LOC (11) Cl.** **06-01**

(52) **U.S. Cl.**
USPC **D6/365**

(58) **Field of Classification Search**
USPC D6/334-336, 344, 364, 365, 366, 370,
D6/374, 379, 716, 716.1, 716.2, 716.3,
D6/716.4
CPC A47C 1/032; A47C 3/18; A47C 4/028;
A47C 7/021; A47C 7/18; A47C 7/24
See application file for complete search history.

(56) **References Cited**

U.S. PATENT DOCUMENTS

D299,986 S	*	2/1989	Doughty	D6/344
D300,090 S	*	3/1989	Frinier	D6/365
D335,038 S	*	4/1993	Tseng	D6/365
D335,039 S	*	4/1993	Tseng	D6/344

D340,361 S	*	10/1993	Tseng	D6/365
D414,947 S	*	10/1999	Liu	D6/365
D479,774 S	*	9/2003	Wimberger	D6/370
D525,799 S	*	8/2006	Lowsky	D6/370
D526,799 S	*	8/2006	Tseng	D6/370
D720,941 S	*	1/2015	Mila Valcarcel	D6/370
D759,986 S	*	6/2016	Bougay	D6/370
D761,032 S	*	7/2016	Asner	D6/370

* cited by examiner

Primary Examiner — Mimoso De

(74) *Attorney, Agent, or Firm* — Weide & Miller, Ltd.

(57) **CLAIM**

The ornamental design for a swivel chair, as shown and described.

DESCRIPTION

FIG. 1 is a perspective view of a swivel chair showing the new design.

FIG. 2 is a perspective view of a swivel chair showing the new design

FIG. 3 is a front view of the design shown in FIG. 1.

FIG. 4 is a back view of the design shown in FIG. 1.

FIG. 5 is a right-side view of the design shown in FIG. 1.

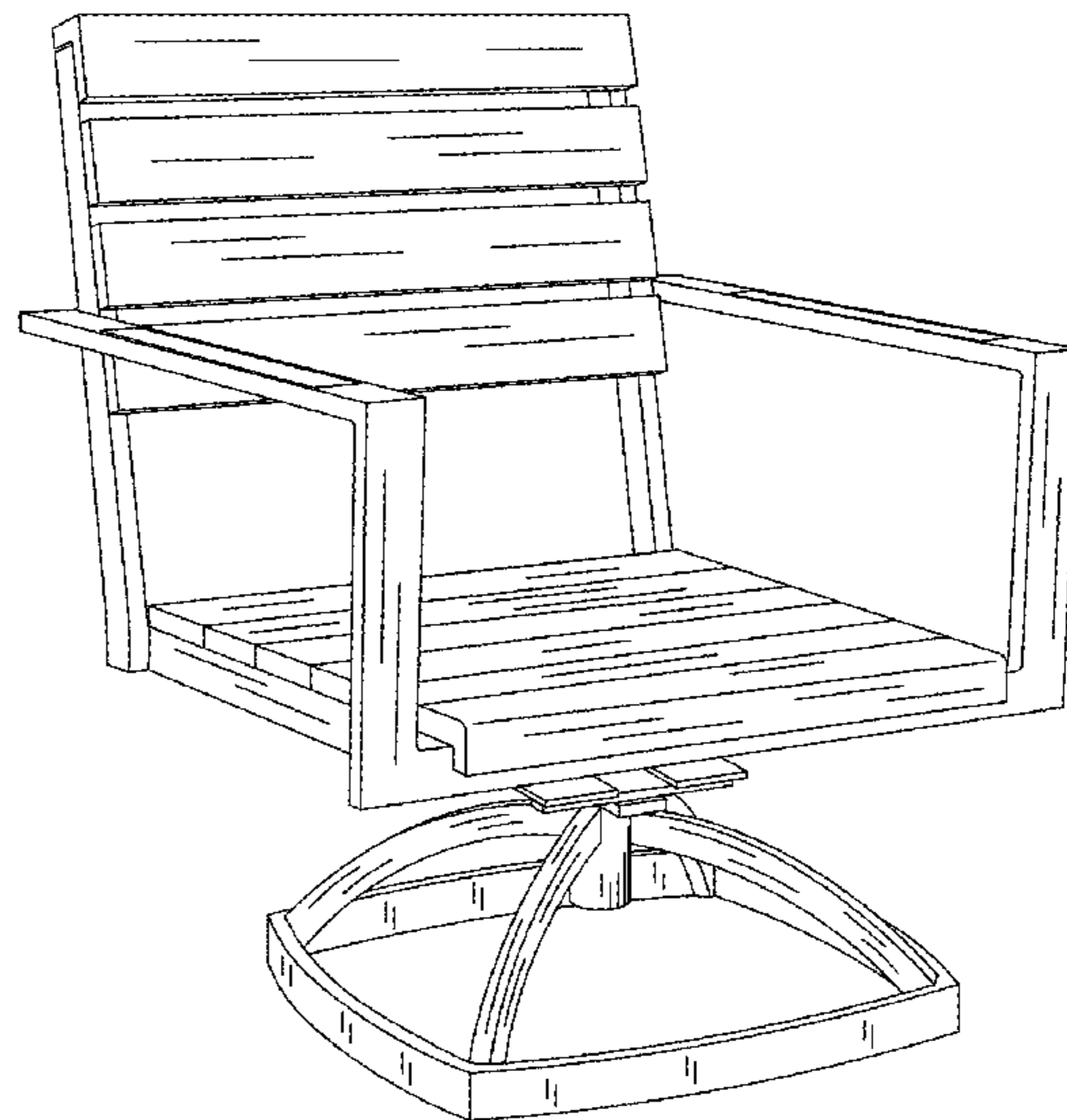
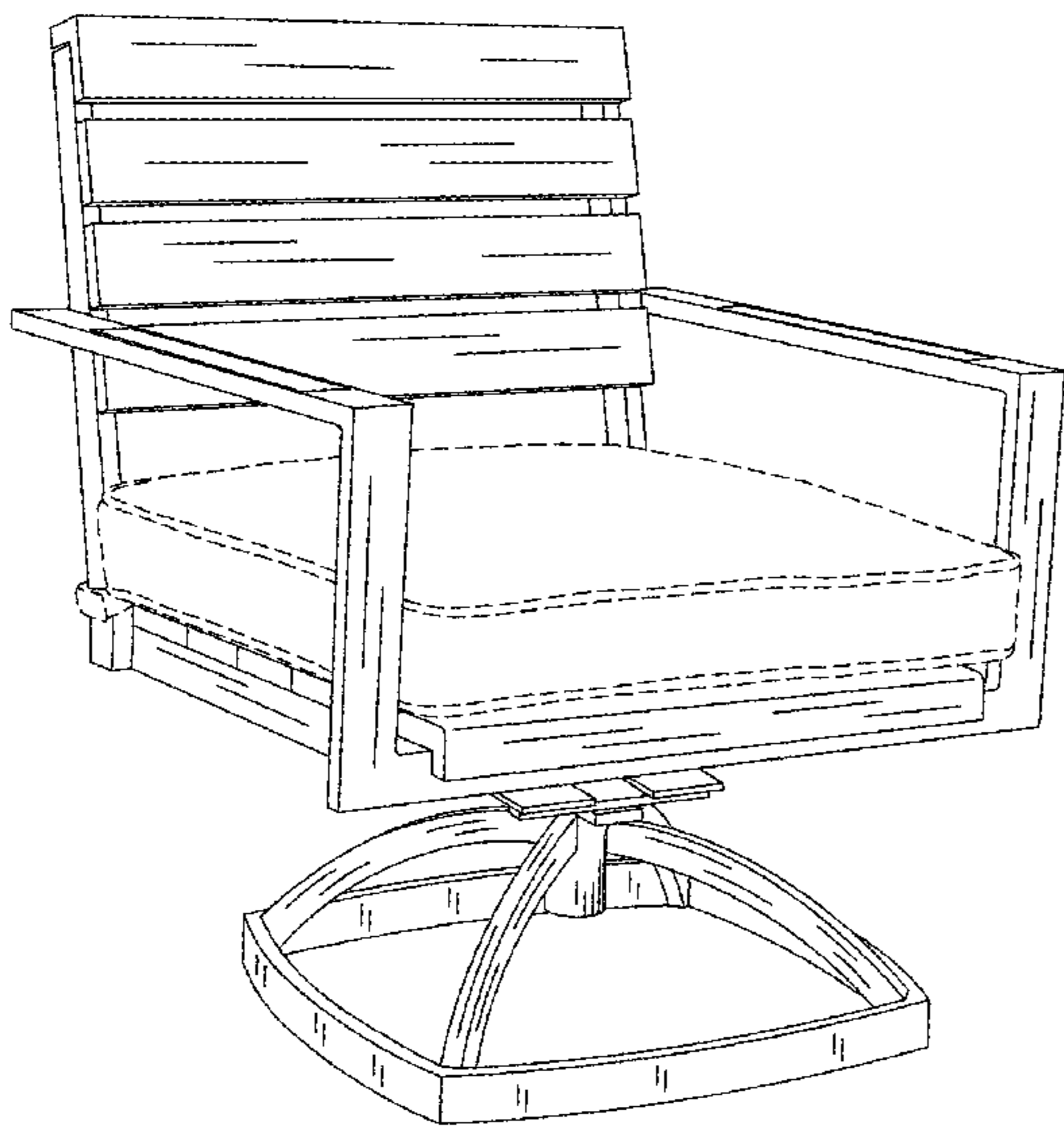
FIG. 6 is a left-side view of the design shown in FIG. 1.

FIG. 7 is a top view of the design shown in FIG. 1; and,

FIG. 8 is a bottom view of the design shown in FIG. 1.

The broken lines indicate unclaimed portions of the article and form no part of the claimed design.

1 Claim, 8 Drawing Sheets



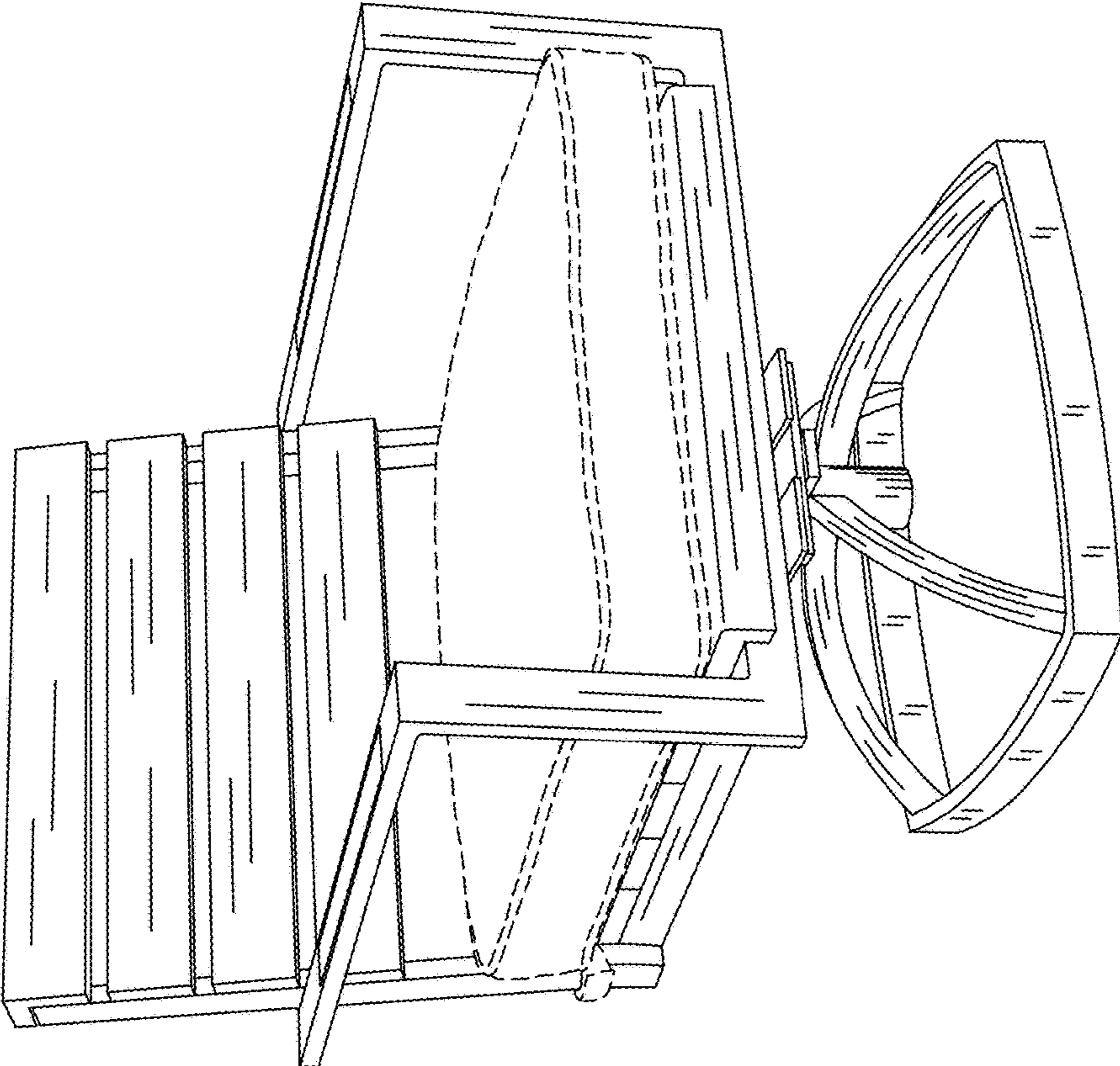


FIG. 1

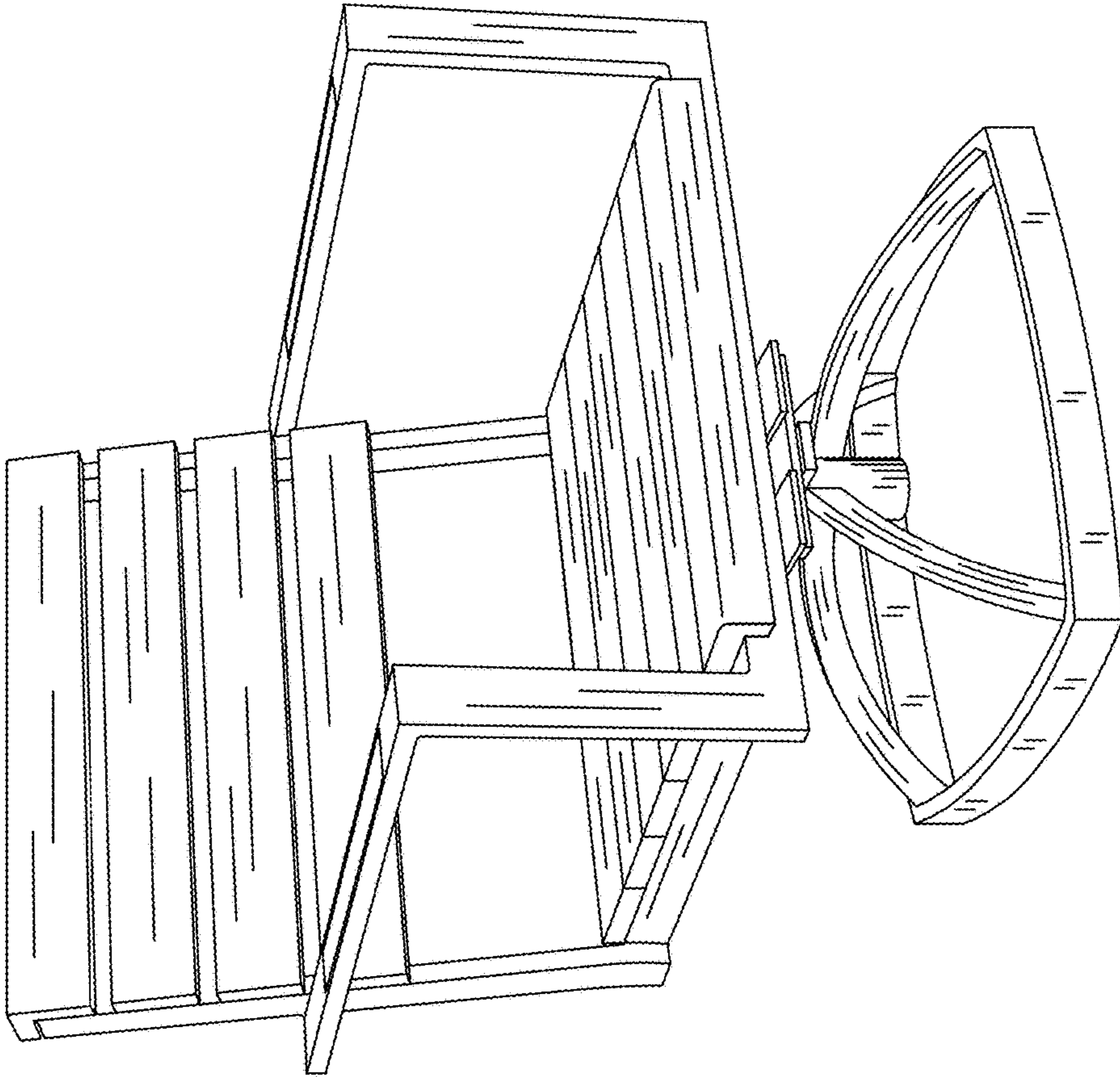


FIG. 2

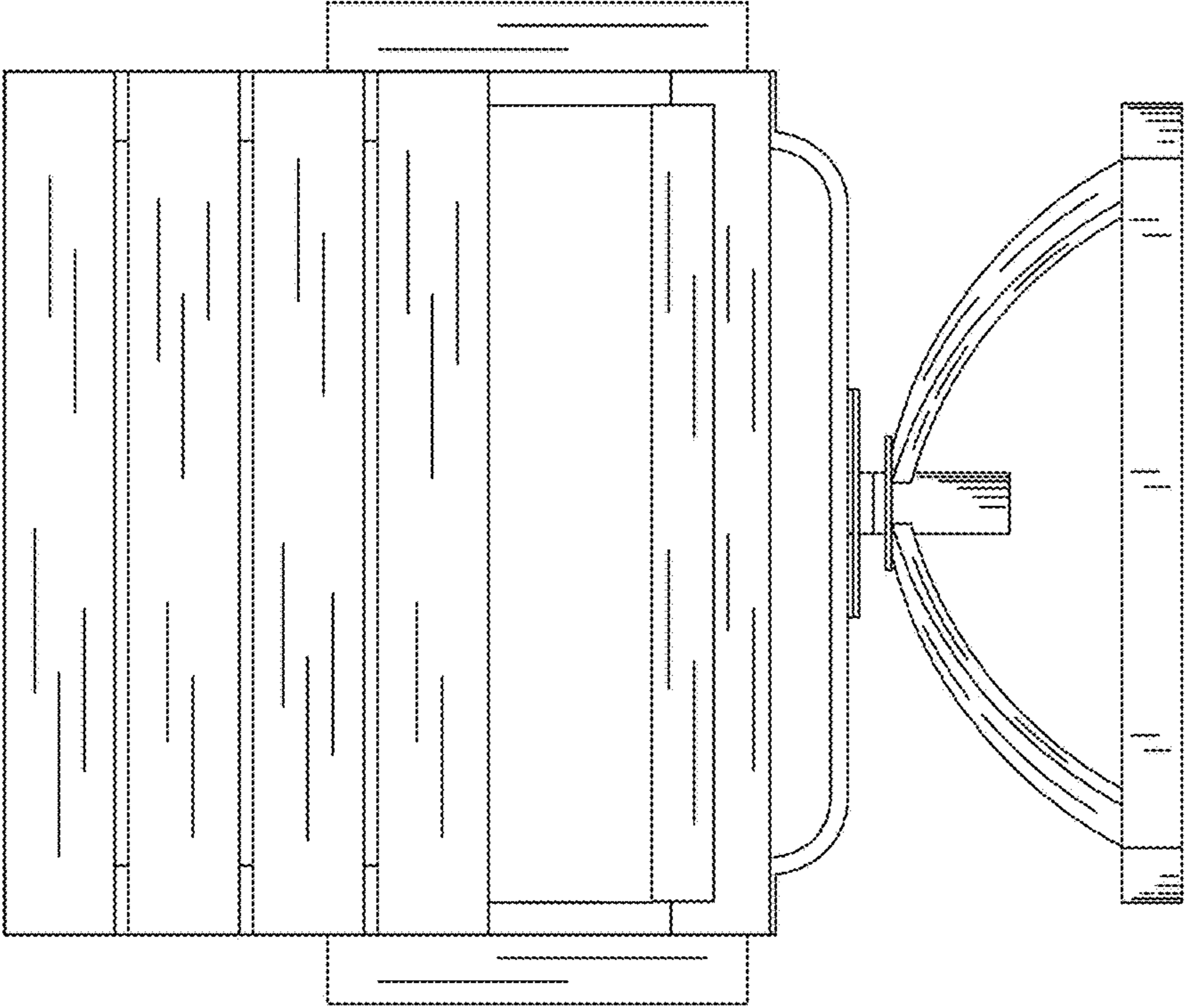


FIG. 3

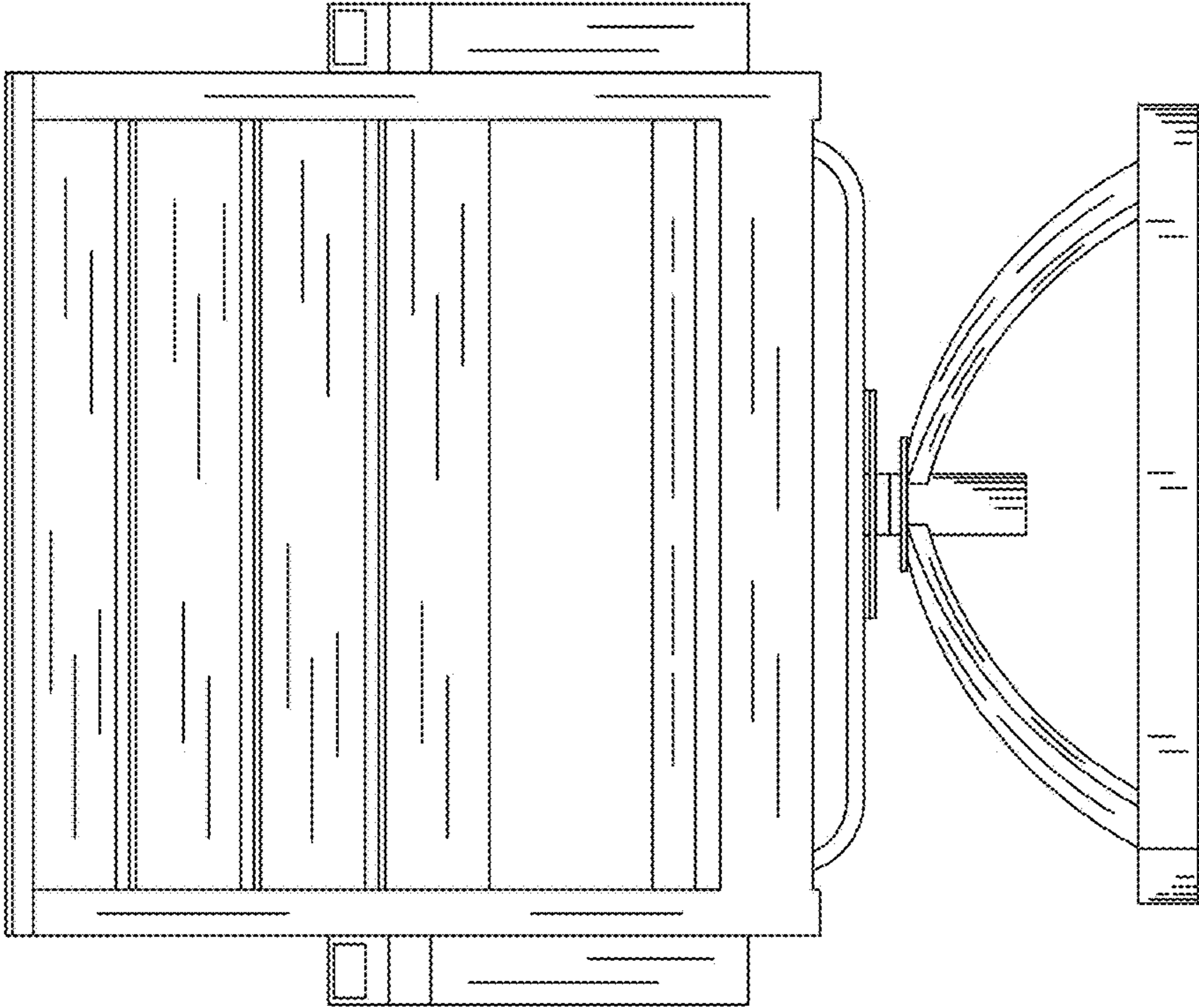


FIG. 4

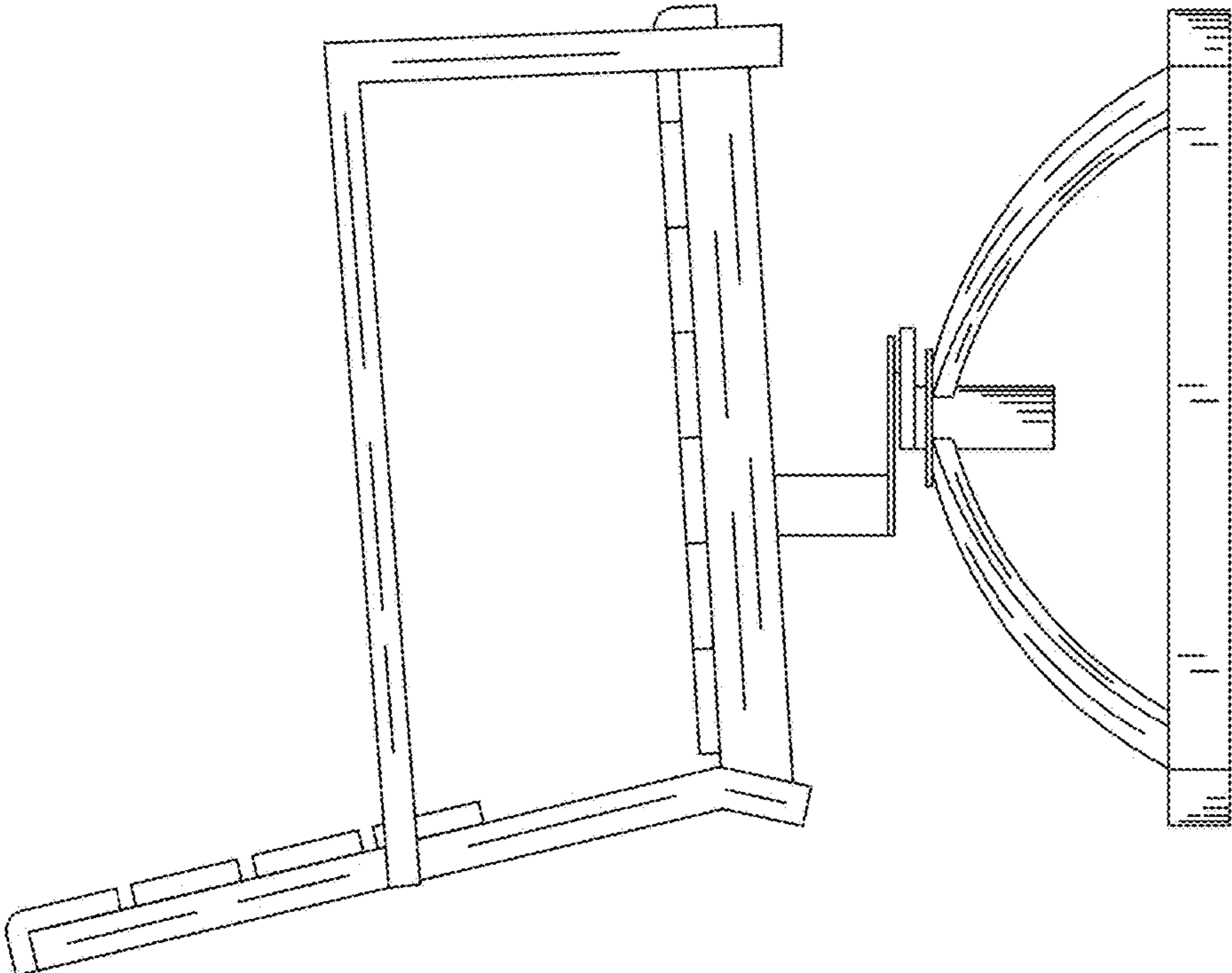


FIG. 5

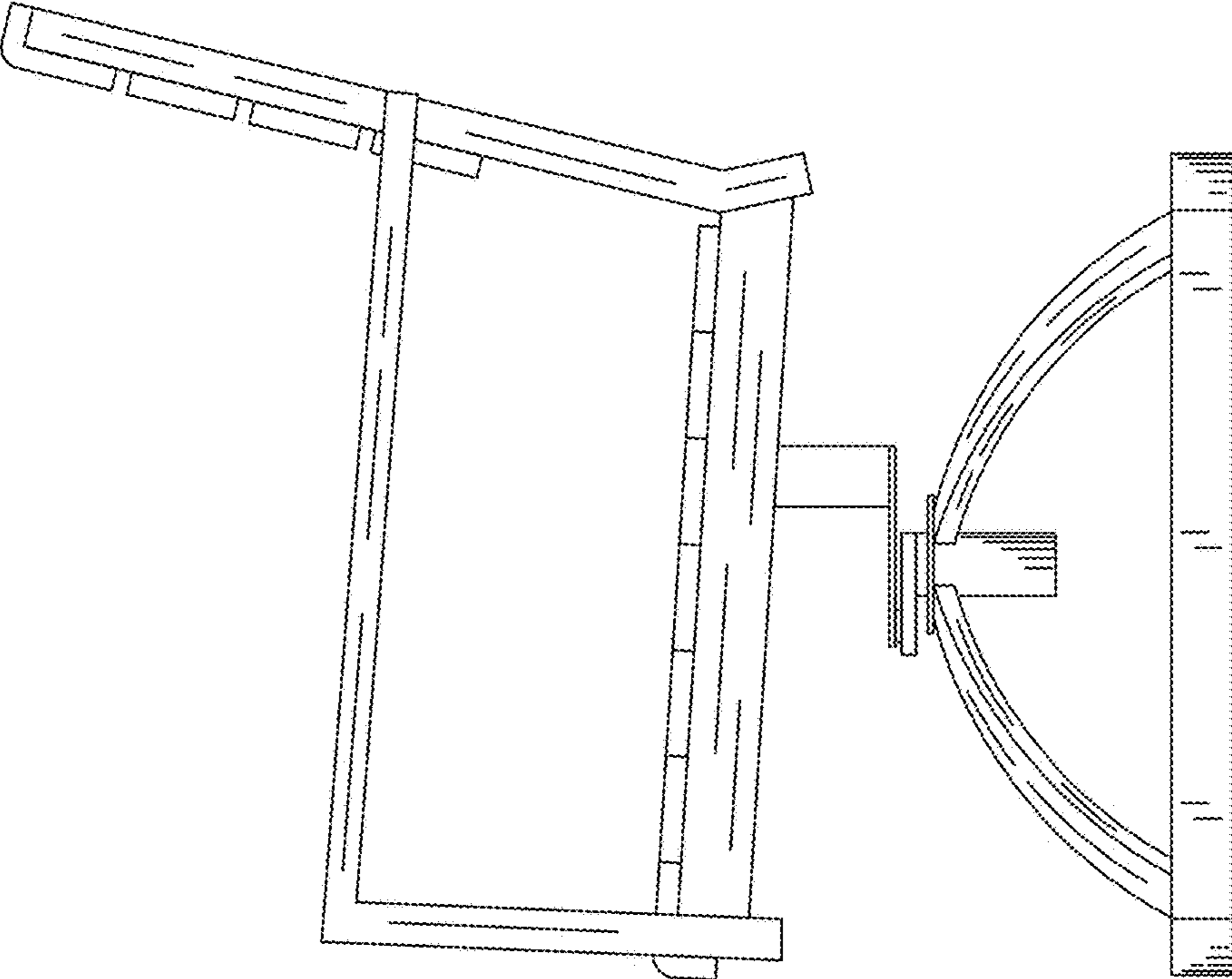


FIG. 6

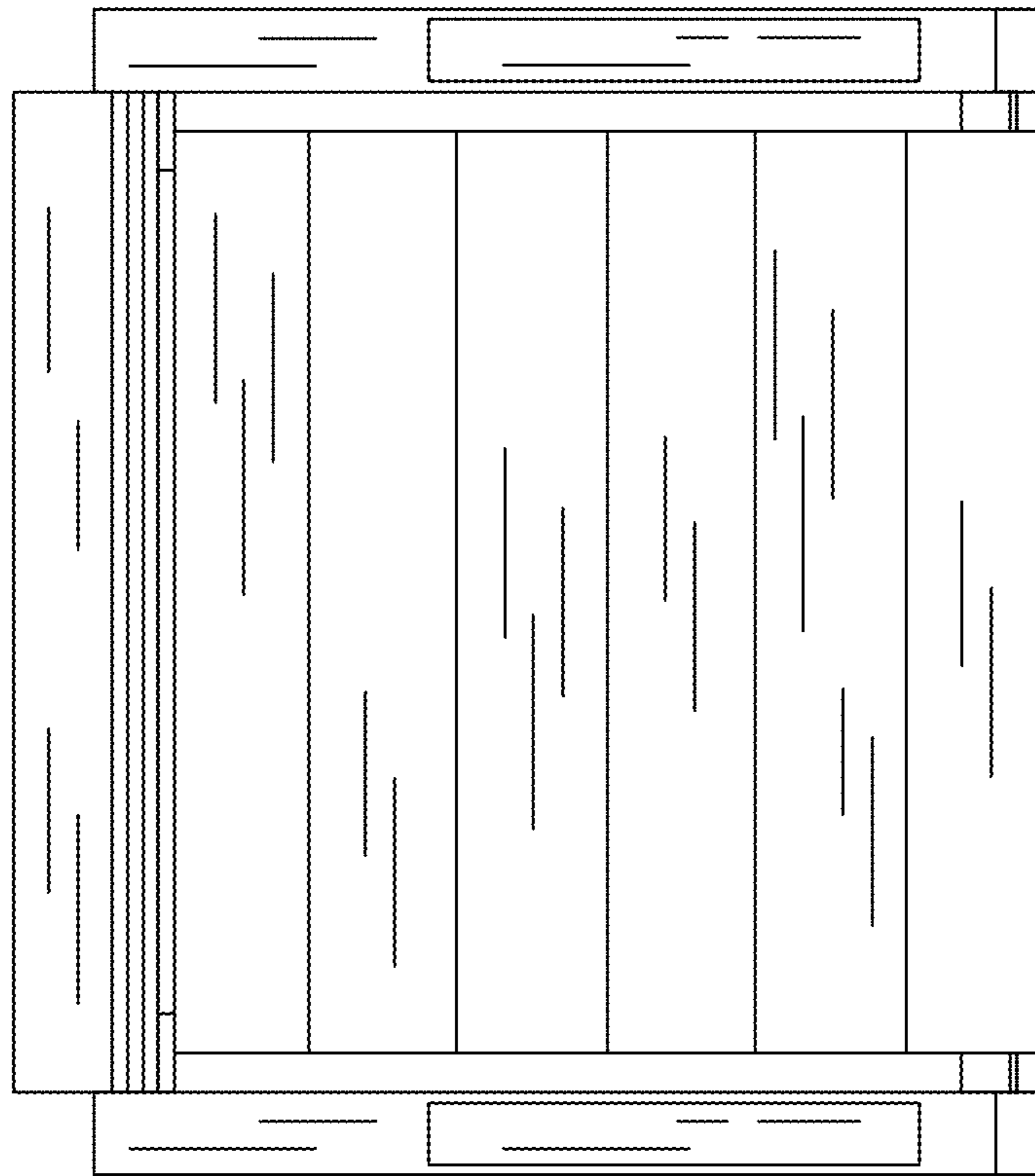


FIG. 7

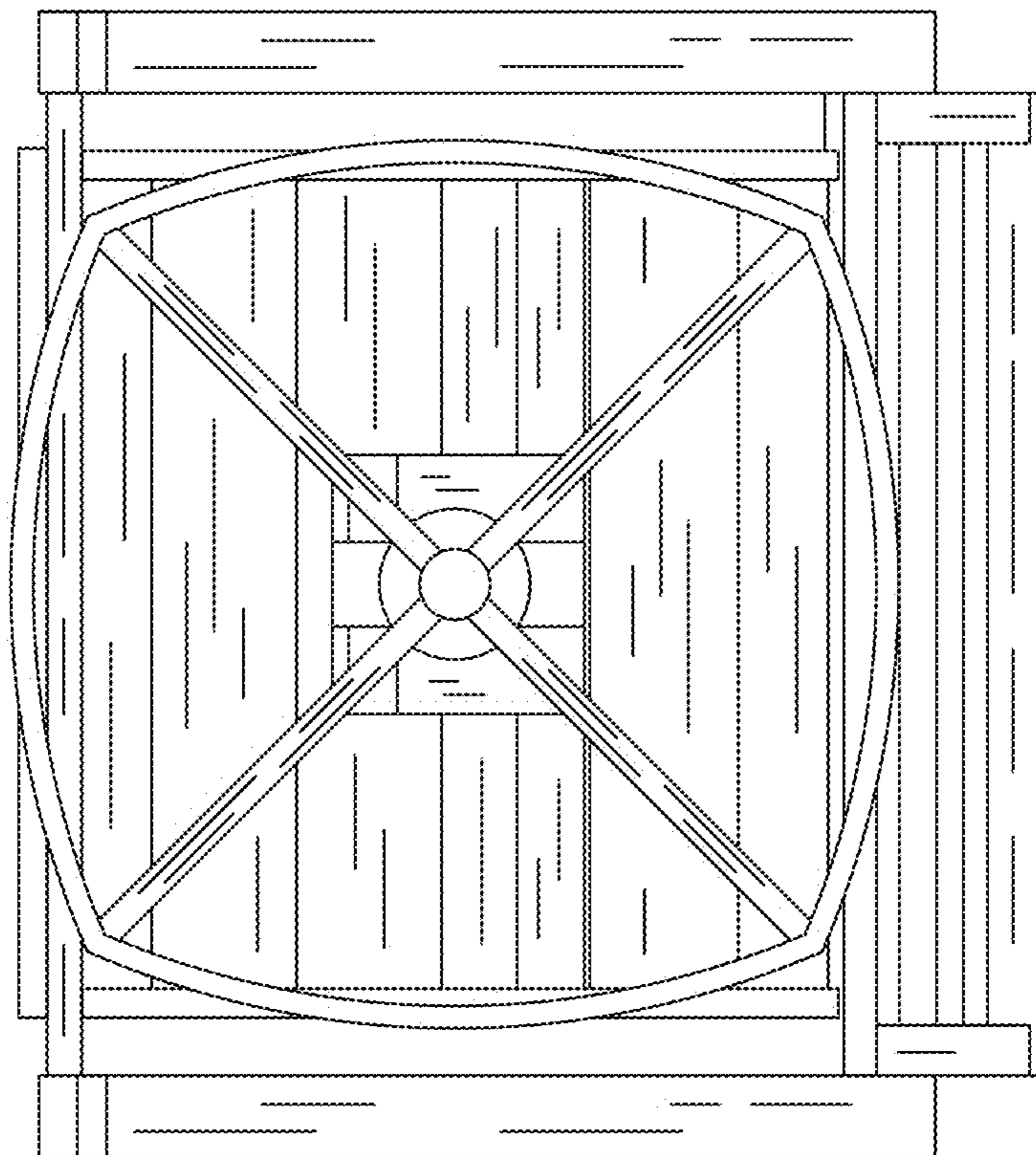


FIG. 8