



US00D832605S

(12) **United States Design Patent**
Robinson

(10) **Patent No.:** **US D832,605 S**
(45) **Date of Patent:** **** Nov. 6, 2018**

- (54) **KNEELING SEAT**
- (71) Applicant: **Sean Robinson**, New York, NY (US)
- (72) Inventor: **Sean Robinson**, New York, NY (US)
- (**) Term: **15 Years**
- (21) Appl. No.: **29/599,745**
- (22) Filed: **Apr. 6, 2017**
- (51) **LOC (11) Cl.** **06-01**
- (52) **U.S. Cl.**
USPC **D6/349**
- (58) **Field of Classification Search**
USPC D6/334-381, 716, 716.1-716.8, 601
CPC A47B 7/00; A47B 7/02; A47B 9/00; A47B
13/02; A47B 23/00; A47B 39/00; A47C
7/002; A47C 7/18; A47C 9/18; A47C
9/007; A47C 9/10; A47C 11/00; A47C
12/00
See application file for complete search history.

(56) **References Cited**

U.S. PATENT DOCUMENTS

D25,848 S *	7/1896	Yearicks	D6/349
D459,598 S *	7/2002	Andersen	D6/349
D557,909 S *	12/2007	LaSorsa	D6/349
D558,472 S *	1/2008	Linton	D6/349
D566,976 S *	4/2008	Pattison	D6/349
D589,269 S *	3/2009	Allende	D6/349
D601,829 S *	10/2009	Lim	D6/716.1
D613,082 S *	4/2010	Peel	D6/349
D689,705 S *	9/2013	Gustafson	D6/353

D699,454 S *	2/2014	Starck	D6/349
D716,066 S *	10/2014	Henschel	D6/353
D818,729 S *	5/2018	Robinson	D6/349
2012/0074753 A1 *	3/2012	Kalayjian	A47C 16/04 297/423.11
2017/0276159 A1 *	9/2017	Robinson	F16B 12/52

* cited by examiner

Primary Examiner — Deanna L Pratt
(74) *Attorney, Agent, or Firm* — Dunlap Bennett & Ludwig PLLC

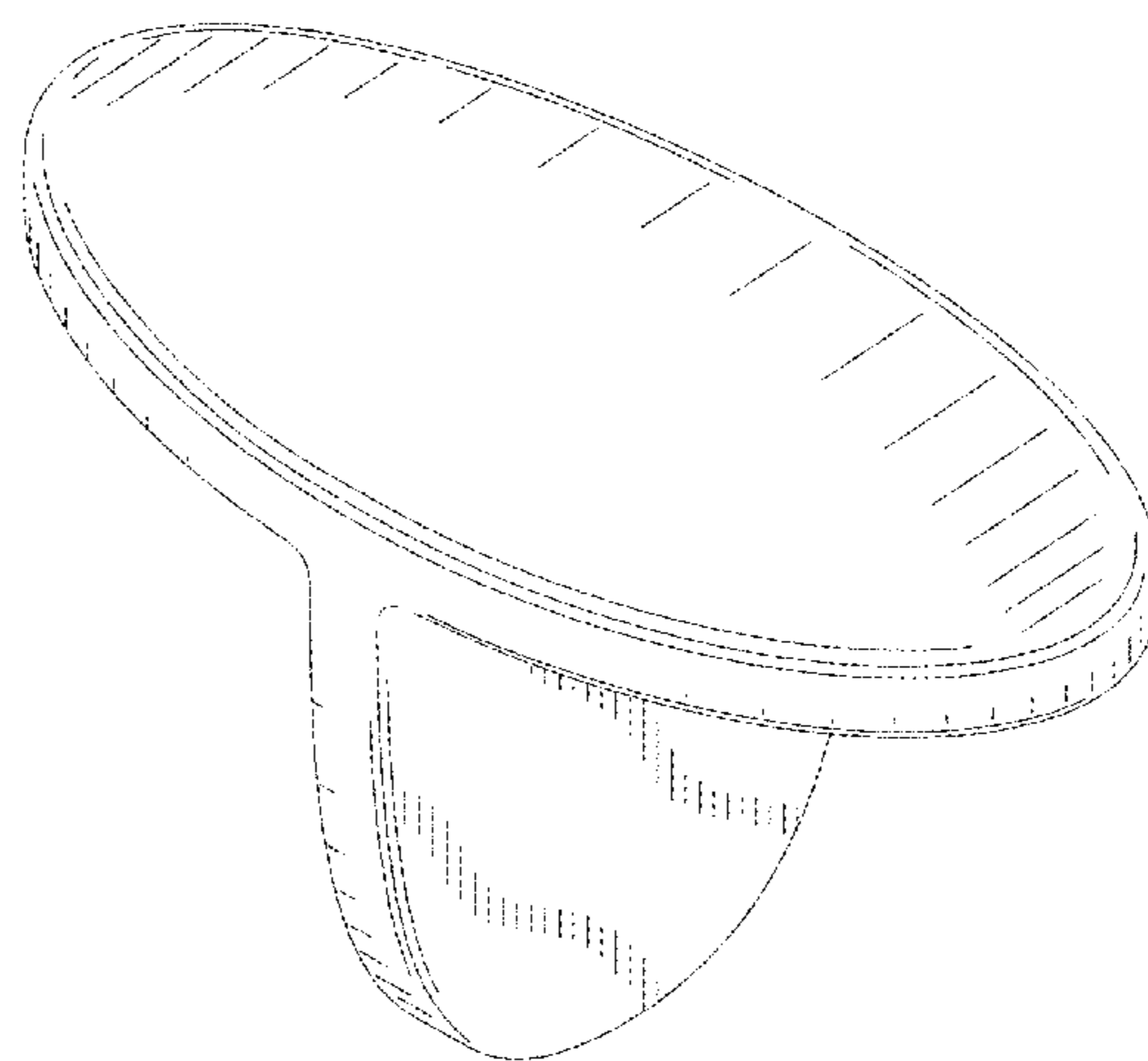
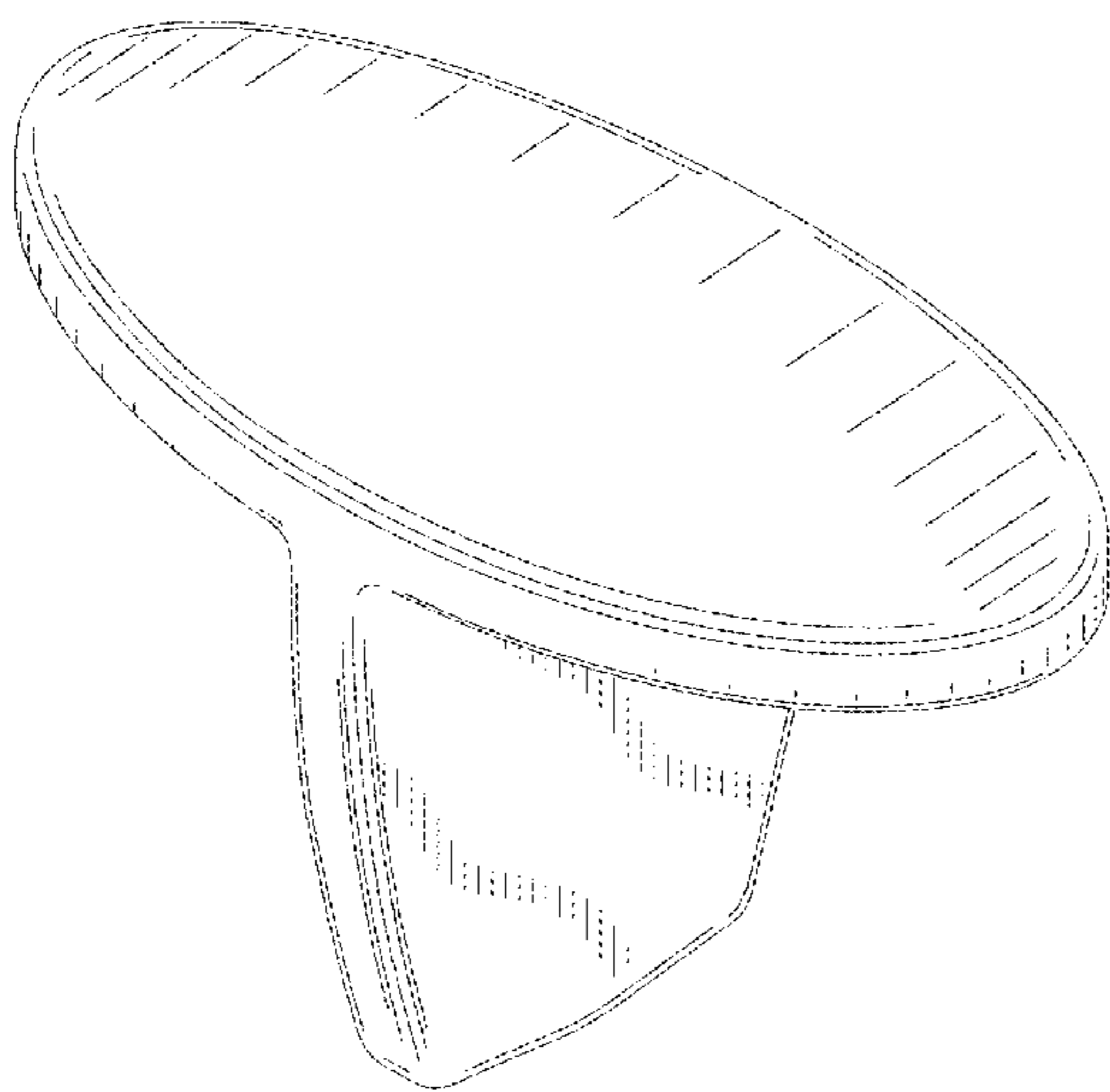
(57) **CLAIM**

The ornamental design for a kneeling seat, as shown and described.

DESCRIPTION

FIG. 1 is a perspective view of a first embodiment of a kneeling seat;
 FIG. 2 is a front elevation view FIG. 1, the rear view being a mirror image thereof;
 FIG. 3 is a top plan view FIG. 1;
 FIG. 4 is a bottom plan view FIG. 1;
 FIG. 5 is a right side view FIG. 1, the left side view being a mirror image thereof;
 FIG. 6 is a perspective view of a second embodiment of the kneeling seat;
 FIG. 7 is a front elevation view of FIG. 6, the rear view being a mirror image thereof;
 FIG. 8 is a top plan view of FIG. 6;
 FIG. 9 is a bottom plan view of FIG. 6; and,
 FIG. 10 is a right side view thereof, the left side view being a mirror image of FIG. 6.

1 Claim, 6 Drawing Sheets



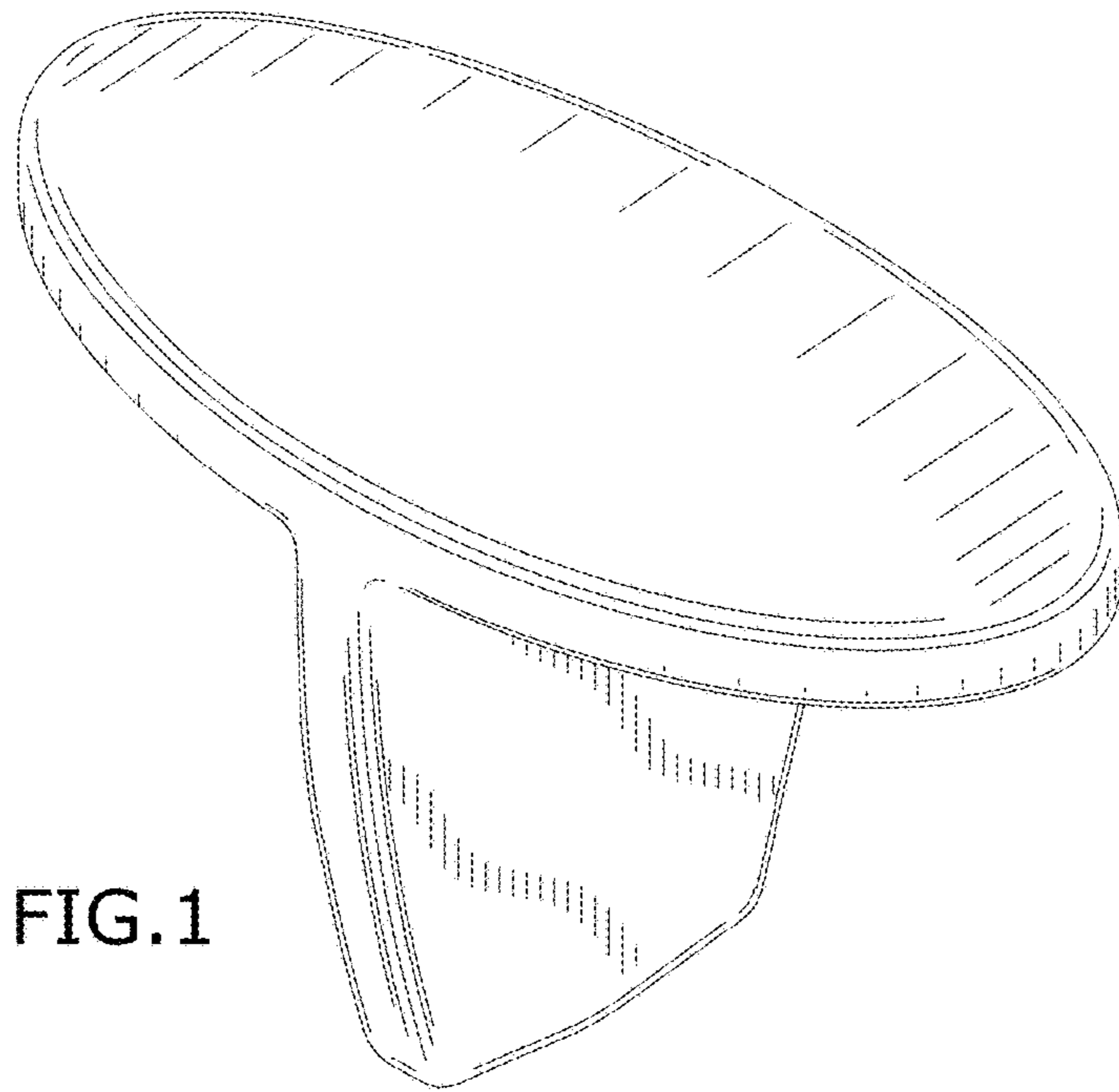


FIG. 1

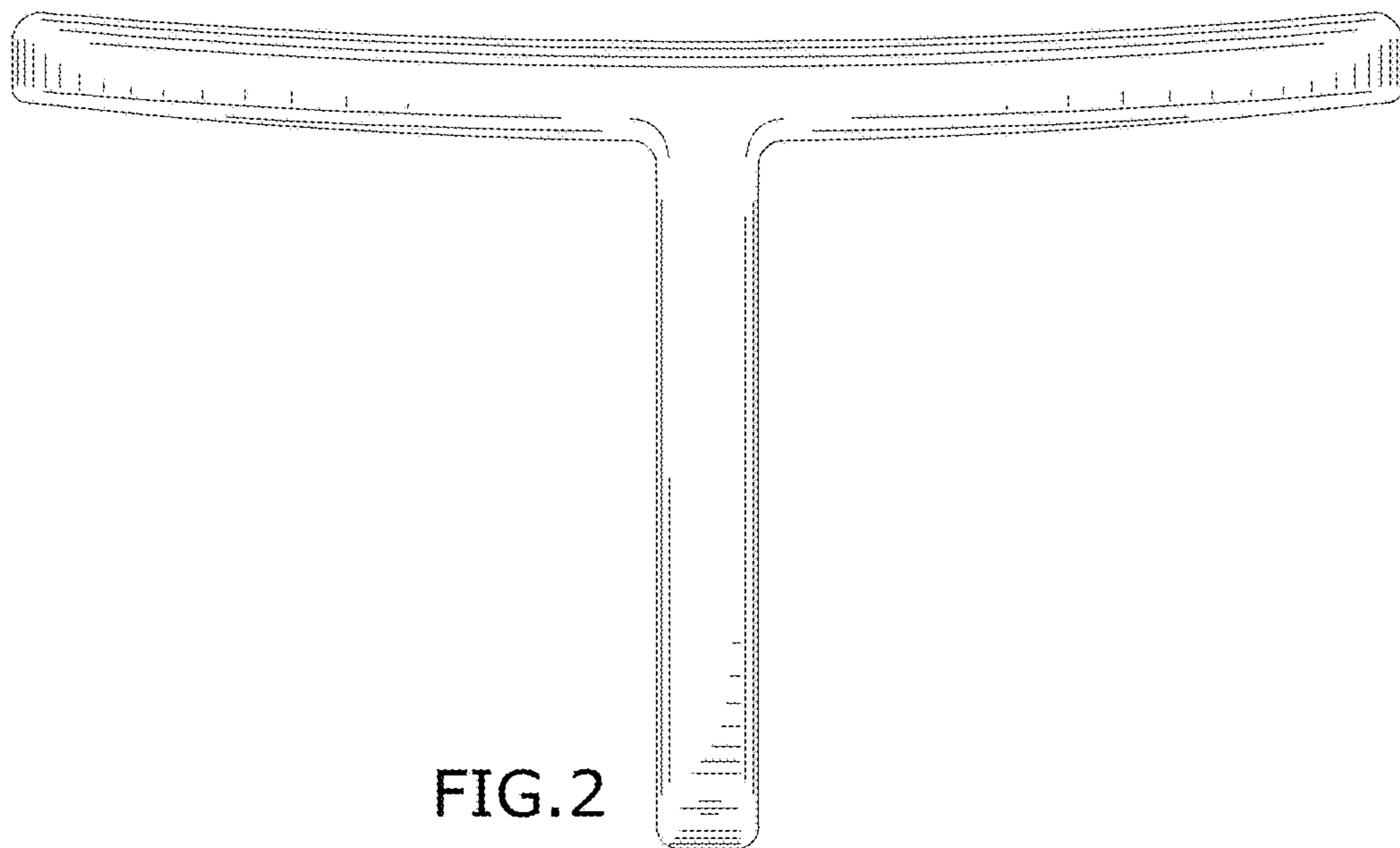


FIG. 2

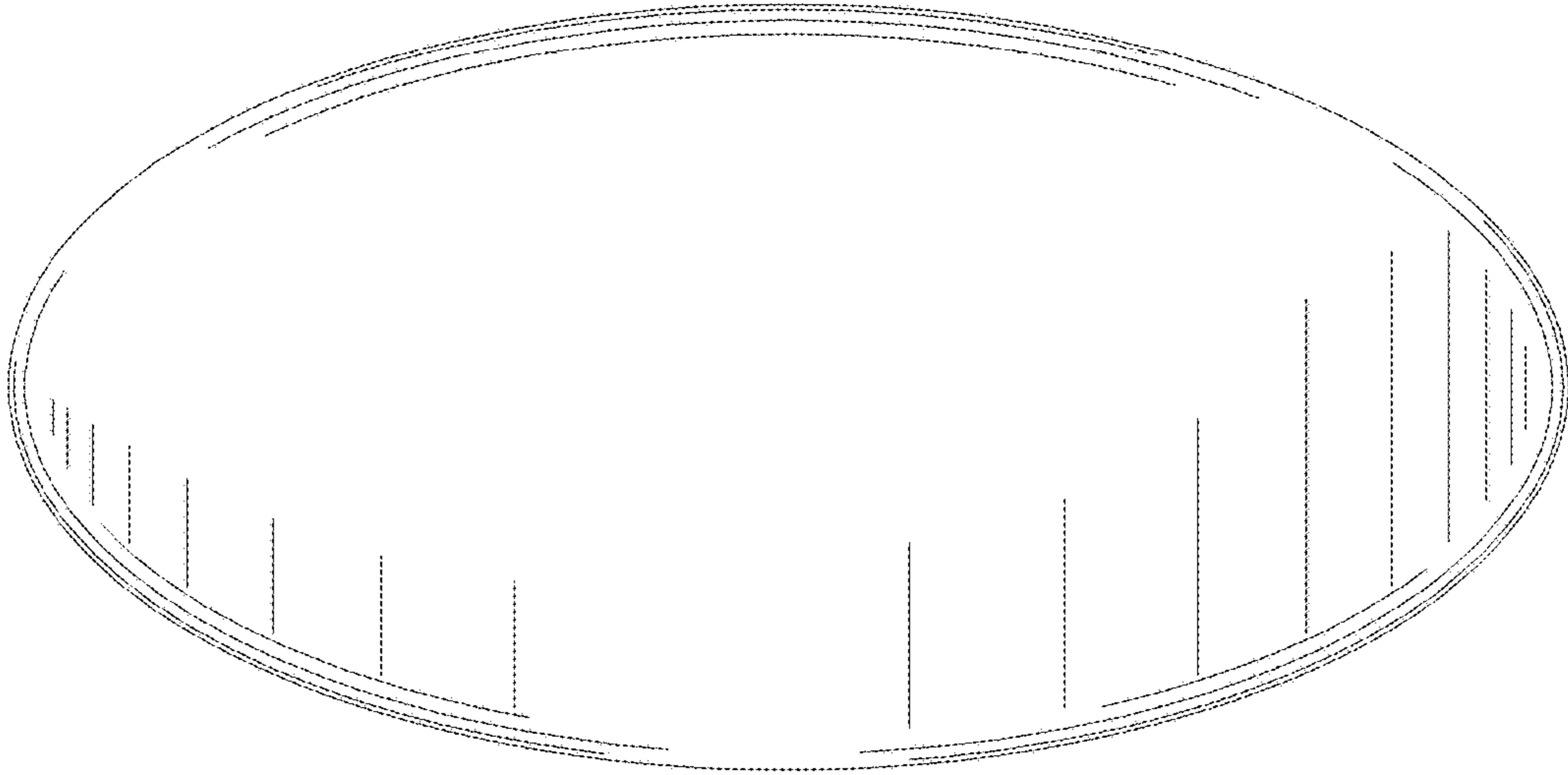


FIG.3

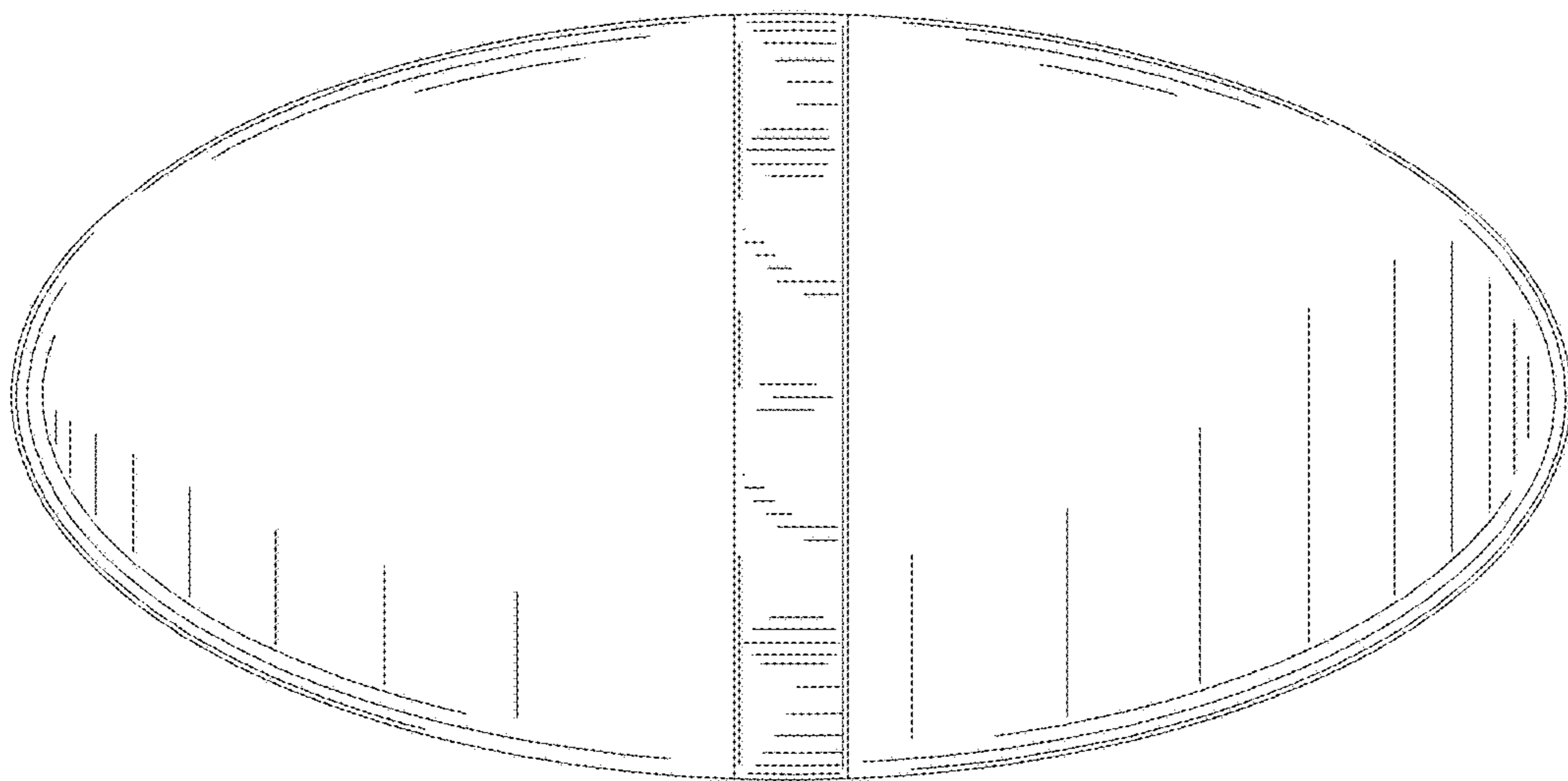


FIG.4

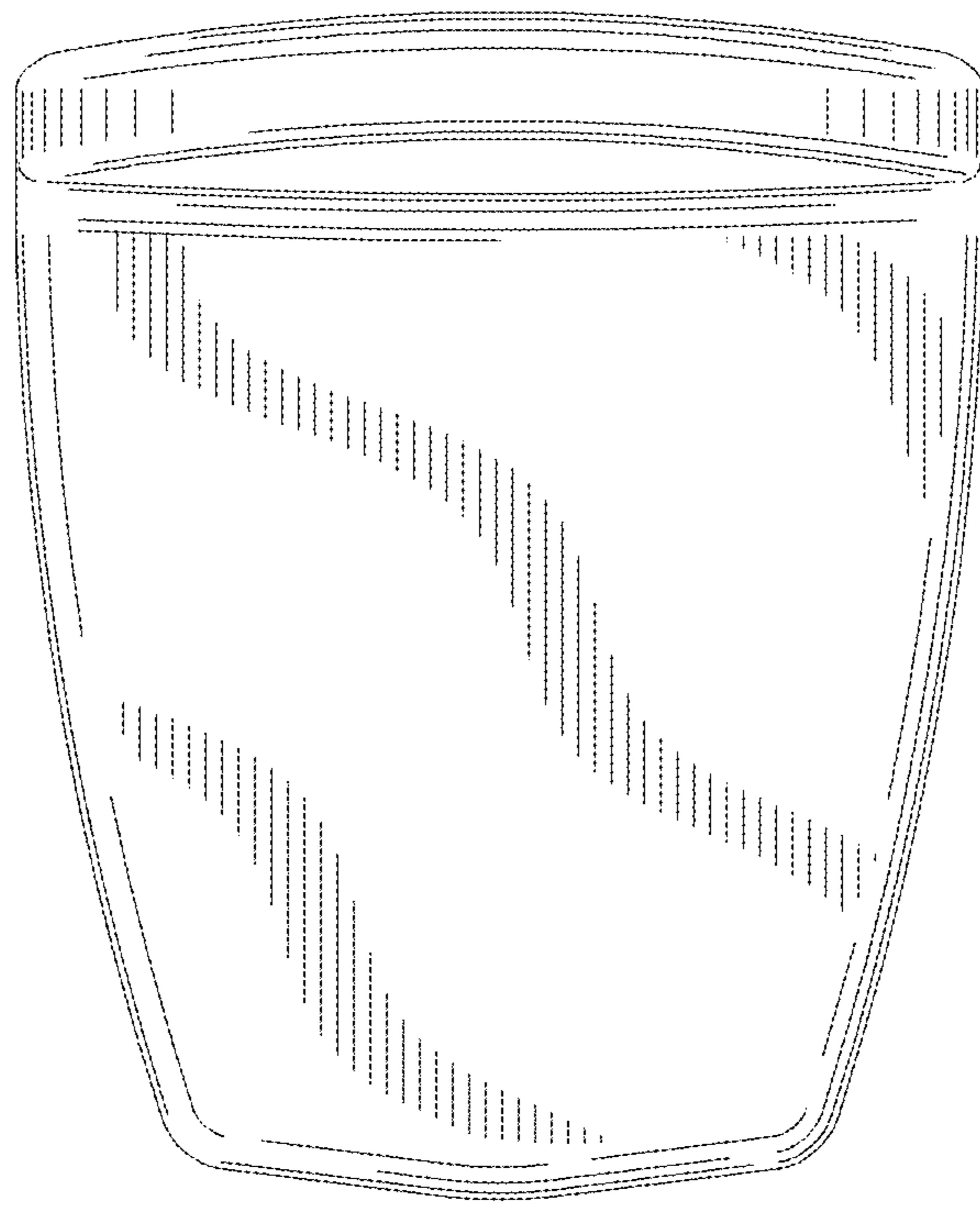


FIG. 5

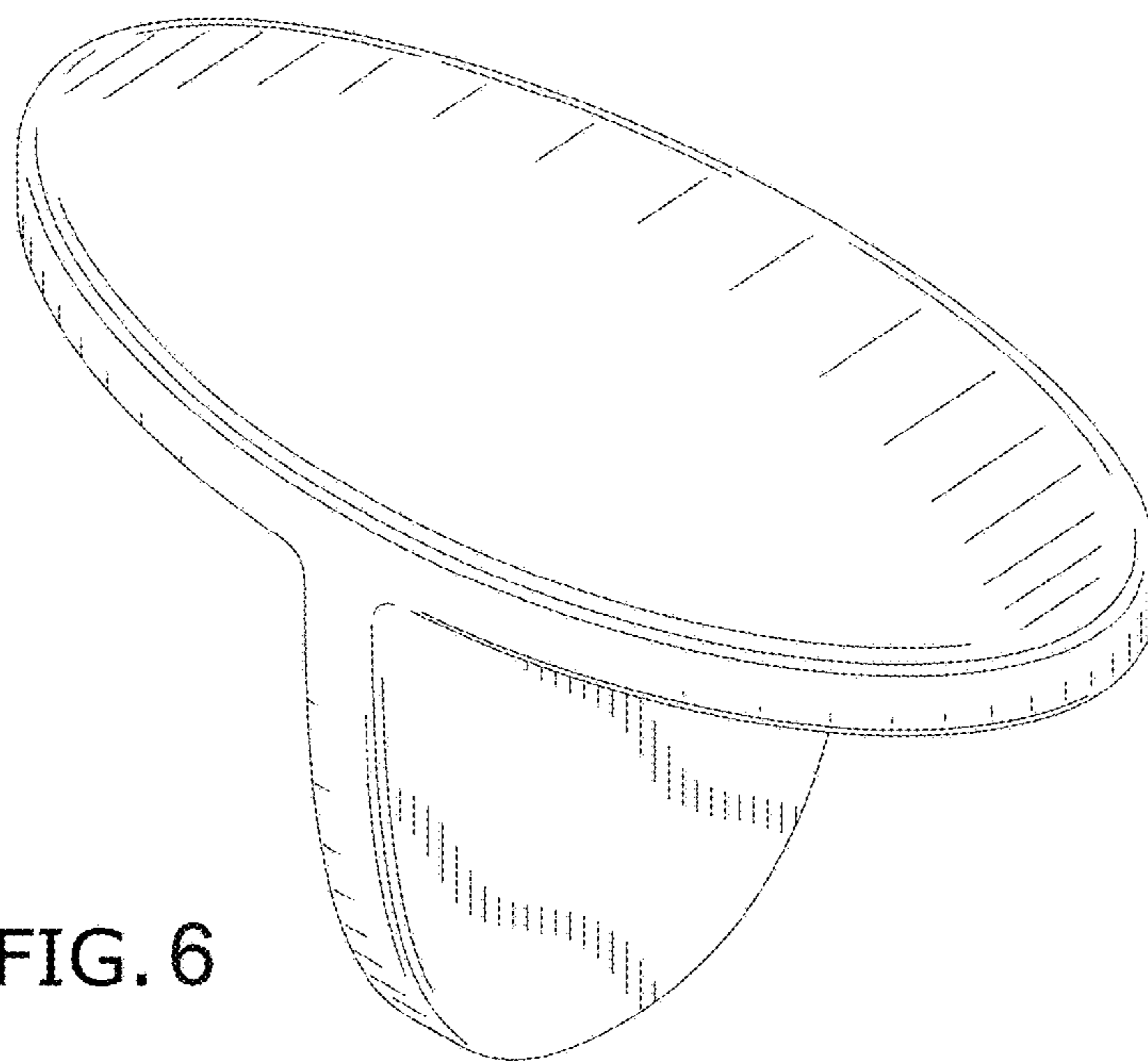


FIG. 6

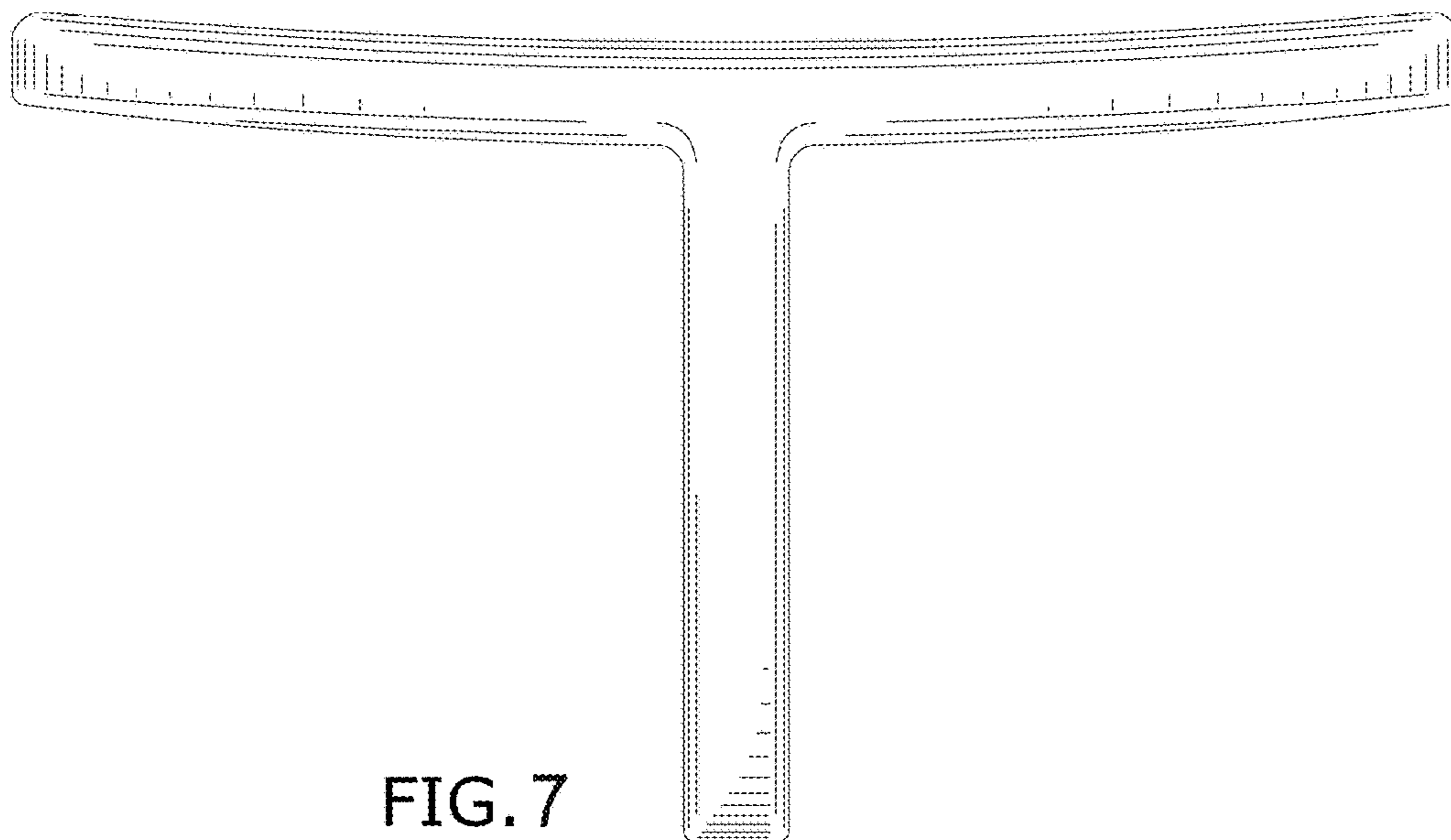


FIG. 7

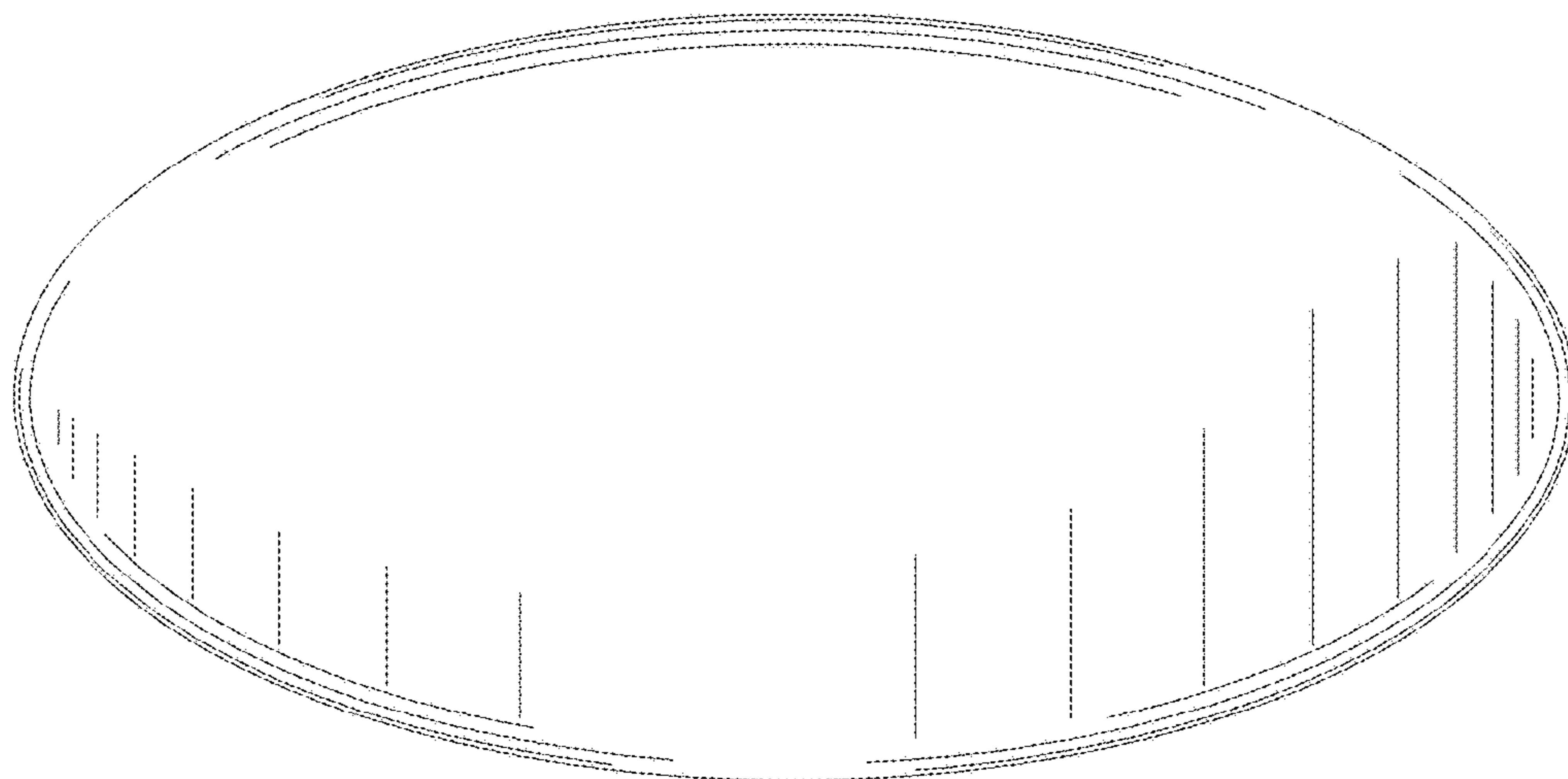


FIG. 8

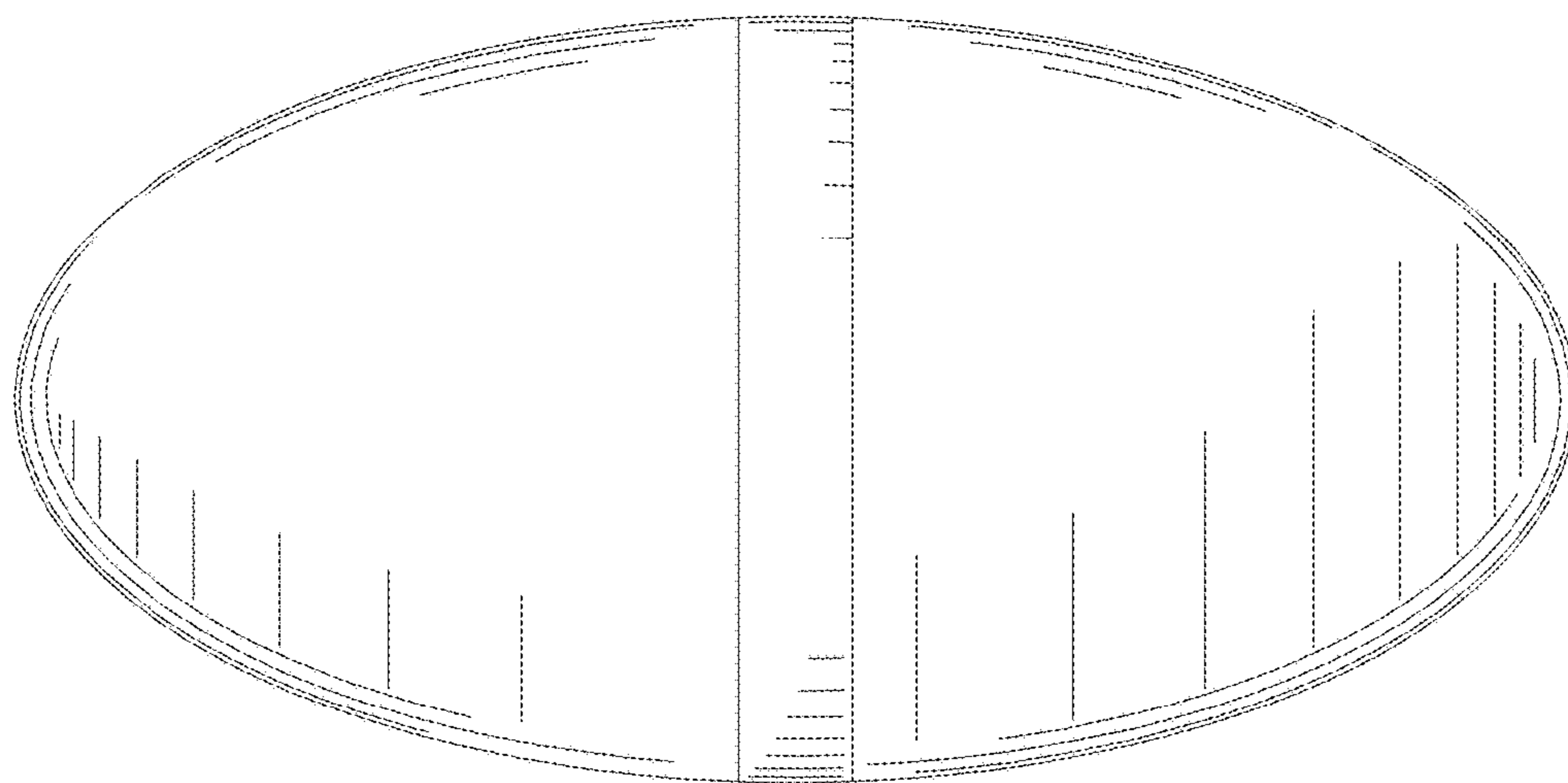


FIG. 9

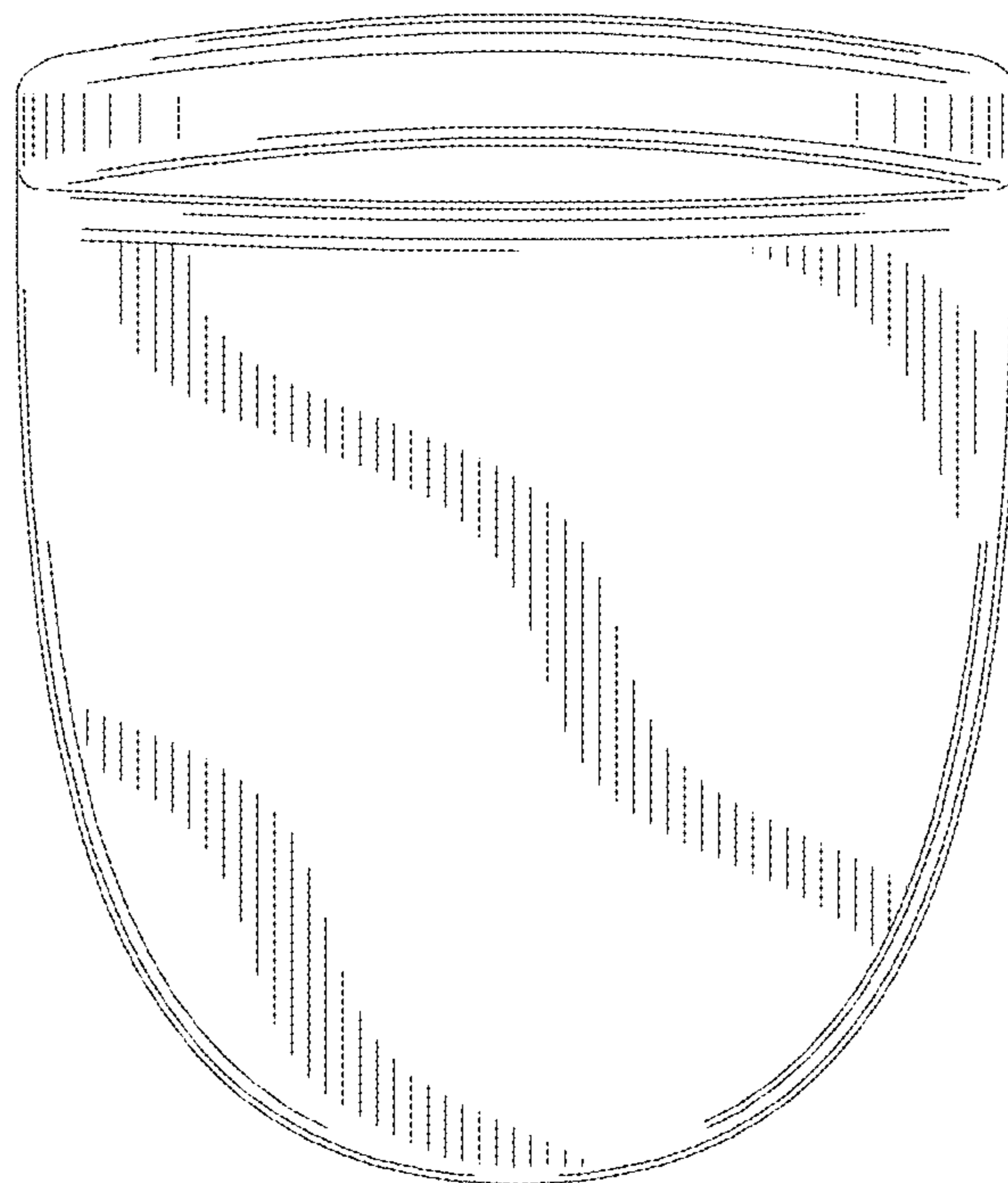


FIG. 10