

US00D832604S

(12) **United States Design Patent** (10) **Patent No.:** **US D832,604 S**
Samikkannu et al. (45) **Date of Patent:** **** Nov. 6, 2018**

(54) **TABLE WITH STOOL SEATING**
(71) Applicant: **AmTab Manufacturing Corporation,**
Aurora, IL (US)
(72) Inventors: **Doss Samikkannu,** Des Plaines, IL
(US); **Jeremias C. Rivera, Jr.,**
Elmhurst, IL (US)
(73) Assignee: **Amtab Manufacturing Corporation,**
Aurora, IL (US)

D514,830 S * 2/2006 Bue D6/337
7,171,911 B1 * 2/2007 Rivera, Jr. A47B 3/14
108/115
D571,566 S * 6/2008 Patel D6/337
D573,360 S * 7/2008 Bue D6/337
7,611,193 B2 * 11/2009 Bue A47C 9/022
297/141

(Continued)

(**) Term: **15 Years**

(21) Appl. No.: **29/611,895**

(22) Filed: **Jul. 26, 2017**

(51) **LOC (11) Cl.** **06-01**

(52) **U.S. Cl.**
USPC **D6/337**

(58) **Field of Classification Search**
USPC D6/334–338, 340–342
CPC A47B 3/14; A47B 3/002; A47B 3/083;
A47B 3/087; A47B 2003/145; A47B
83/02

See application file for complete search history.

(56) **References Cited**

U.S. PATENT DOCUMENTS

D209,758 S * 1/1968 Blink et al. D6/337
D211,886 S * 8/1968 Benjamin D6/337
D327,779 S * 7/1992 Jensen D6/337
D390,381 S * 2/1998 Dormon D6/650
D413,734 S * 9/1999 Bue D6/337
6,065,802 A * 5/2000 Bue A47B 3/14
108/168
D439,060 S * 3/2001 Larsen D6/337
6,223,661 B1 * 5/2001 Griepentrog A47B 3/14
108/115
D456,155 S * 4/2002 DeVriendt D6/337
6,363,866 B1 * 4/2002 Schwartz A47B 13/10
108/64
D478,732 S * 8/2003 Pajerski D6/337

OTHER PUBLICATIONS

AmTab Manufacturing Corporation, AmTab American Tables—
Since 1958, Mobile Table catalog, 2016, pp. 3, 6, 8 and 9.

Primary Examiner — Deanna L Pratt

(74) *Attorney, Agent, or Firm* — Hinshaw & Culbertson
LLP

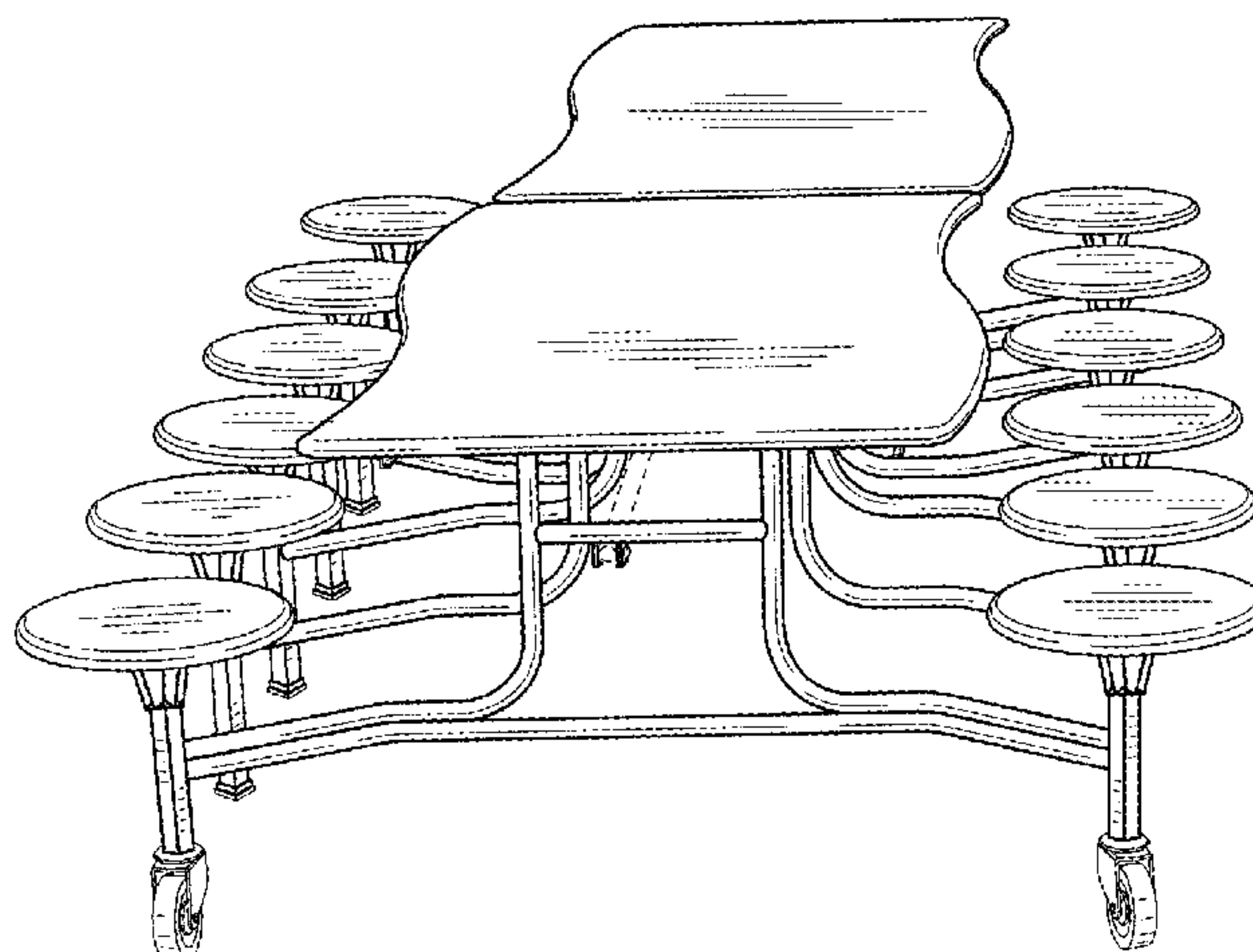
(57) **CLAIM**

The ornamental design for a table with stool seating, as
shown and described.

DESCRIPTION

FIG. 1 is a perspective view of a table with stool seating
depicting the new design;
FIG. 2 is a front elevational view of the table depicted in
FIG. 1;
FIG. 3 is a rear elevational view of the table depicted in FIG.
1;
FIG. 4 is a left side elevational view of the table depicted in
FIG. 1;
FIG. 5 is a right side elevational view of the table depicted
in FIG. 1;
FIG. 6 is a top plan view of the table depicted in FIG. 1; and,
FIG. 7 is a bottom plan view of the table depicted in FIG. 1.
The broken lines showing portions of the table frame are for
the purpose of illustrating portions of the table with stool
seating that form no part of the claimed design.

1 Claim, 5 Drawing Sheets



(56)

References Cited

U.S. PATENT DOCUMENTS

D637,826	S *	5/2011	DeVriendt	D6/338
D639,572	S *	6/2011	Frobose	D6/338
8,181,583	B2	5/2012	Rivera, Jr. et al.	
8,205,937	B2	6/2012	Rivera, Jr. et al.	
D670,089	S *	11/2012	Frobose	D6/338
8,479,667	B2	7/2013	Rivera, Jr. et al.	
9,101,218	B2 *	8/2015	Bradley	A47B 3/14
D781,629	S *	3/2017	Handler	D6/707.22
D802,945	S *	11/2017	Rivera, Jr.	D6/337
2005/0161984	A1 *	7/2005	Bue	A47B 3/087 297/158.4

* cited by examiner

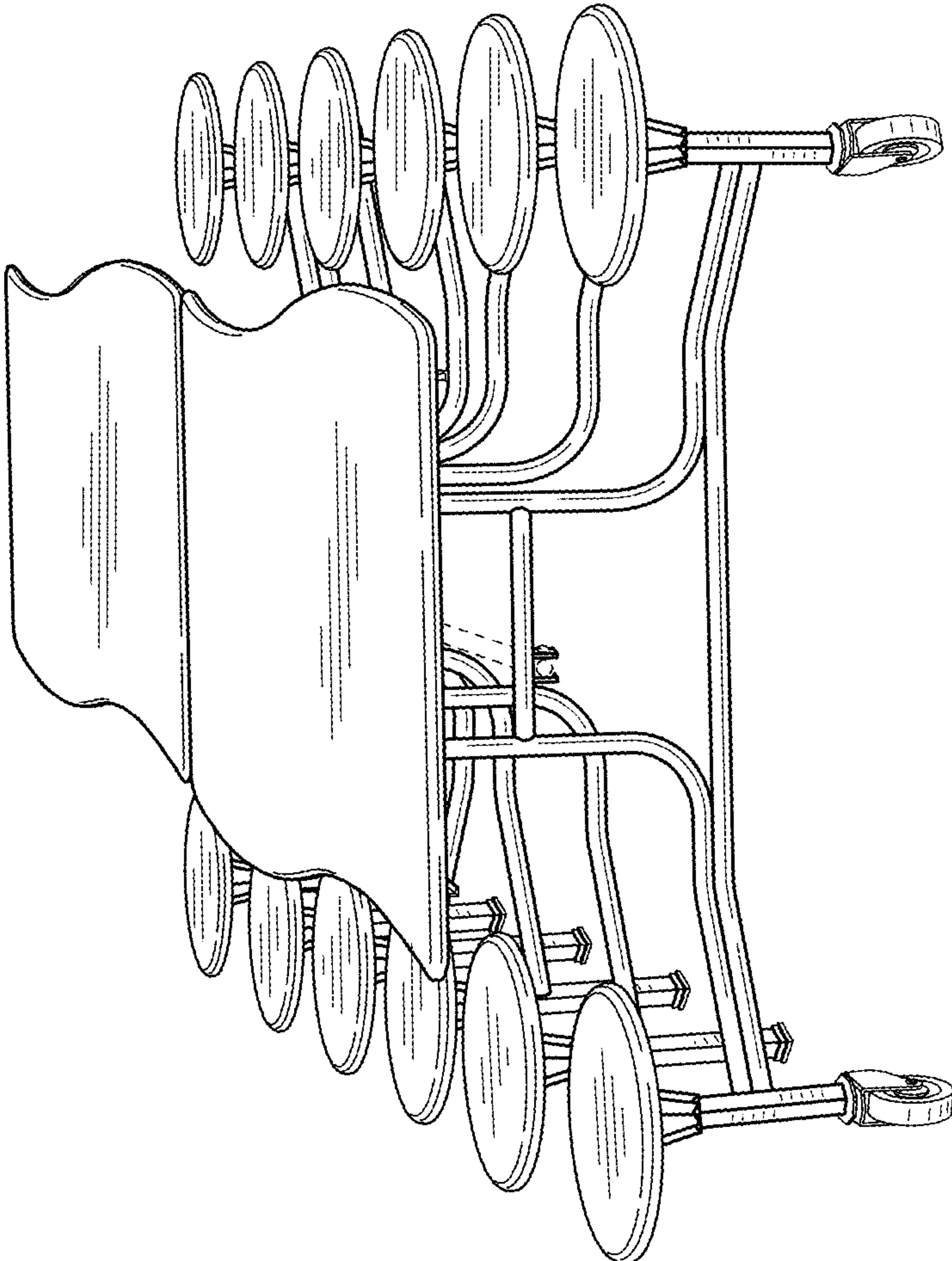


FIG. 1

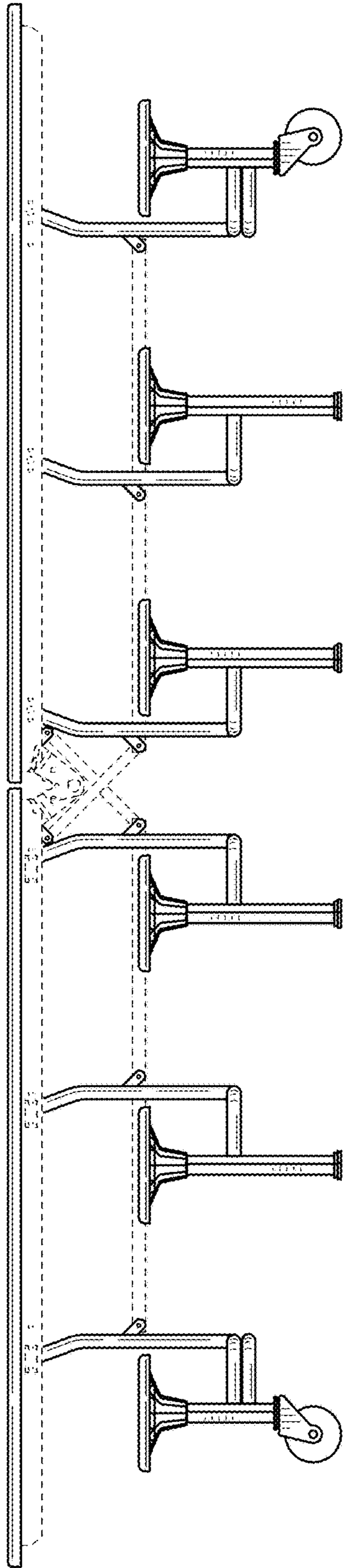


FIG. 2

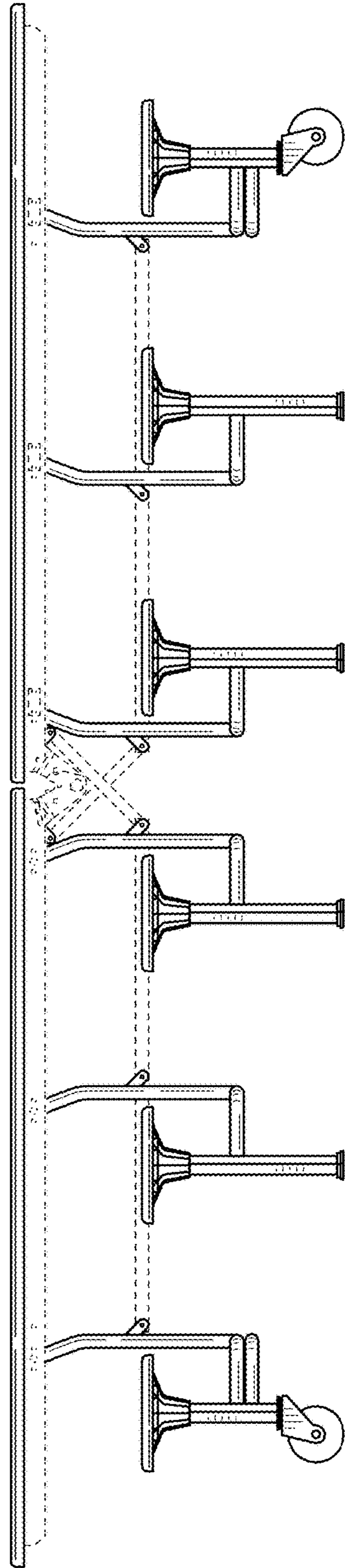


FIG. 3

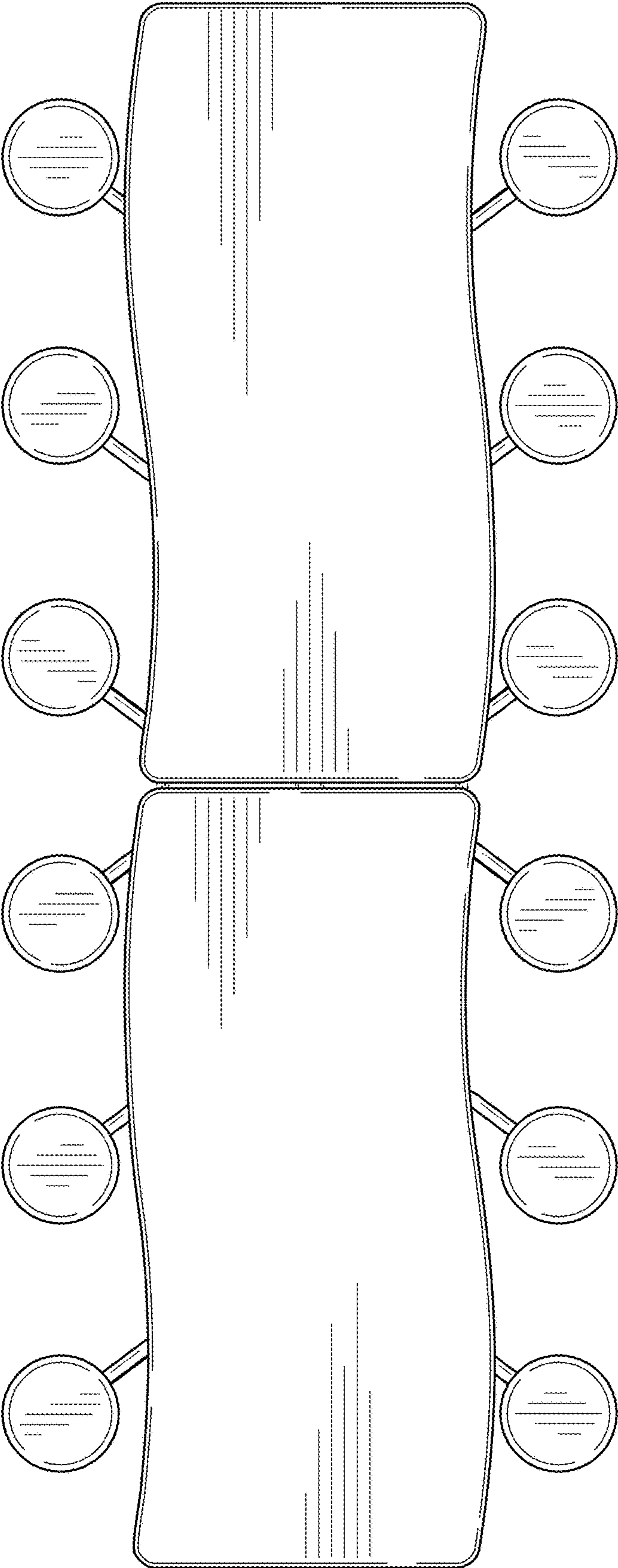


FIG. 6

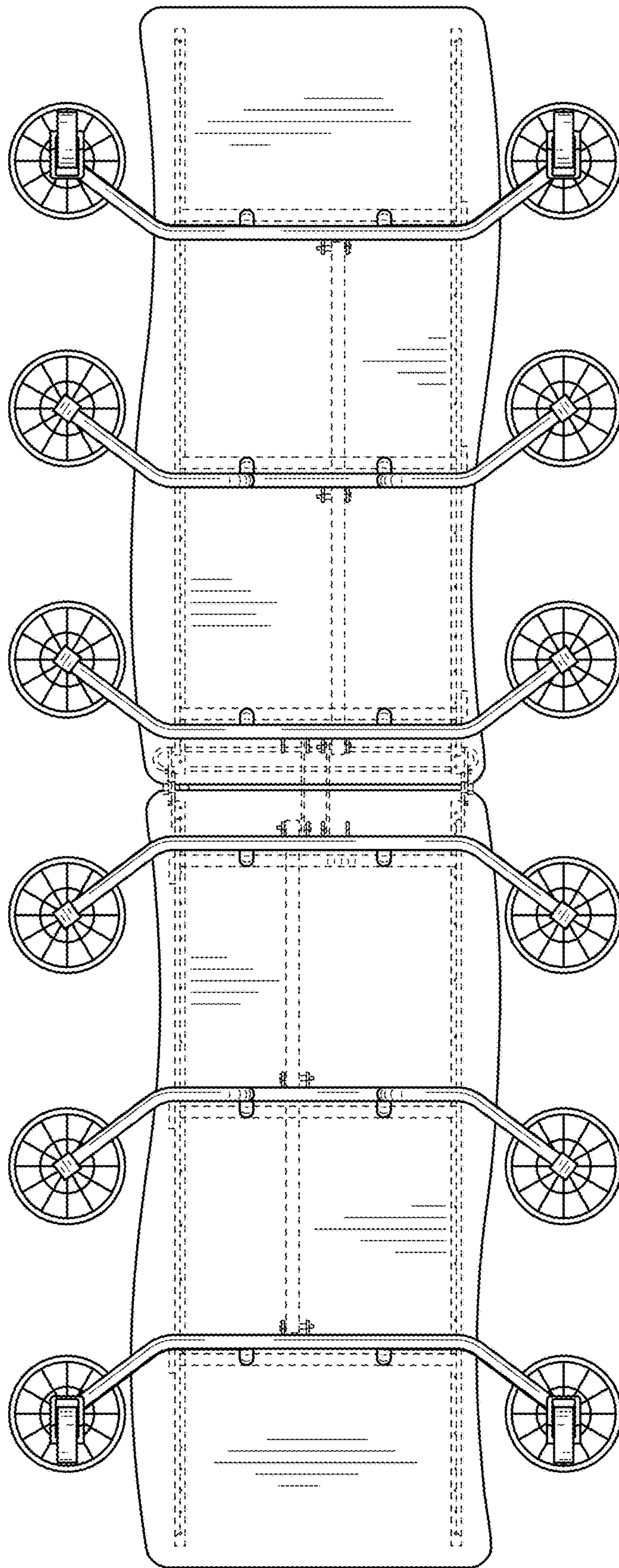


FIG. 7