



US00D832599S

(12) **United States Design Patent** (10) **Patent No.:** **US D832,599 S**  
**Zadro et al.** (45) **Date of Patent:** **\*\* Nov. 6, 2018**

(54) **WALL MOUNT HAND MIRROR**

(57) **CLAIM**

(71) Applicants: **Zlatko Zadro**, Huntington Beach, CA (US); **Alexander Ivan Zadro**, Huntington Beach, CA (US); **Elizabeth Zadro Weber**, Huntington Beach, CA (US)

The ornamental design for a wall mount hand mirror, as shown and described.

(72) Inventors: **Zlatko Zadro**, Huntington Beach, CA (US); **Alexander Ivan Zadro**, Huntington Beach, CA (US); **Elizabeth Zadro Weber**, Huntington Beach, CA (US)

**DESCRIPTION**

(73) Assignee: **ZADRO, INC.**, Huntington Beach, CA (US)

FIG. 1 is a front perspective view of a wall mount hand mirror according to the present invention, showing the wall mount hand mirror in a partially extended configuration.

(\*\*) Term: **15 Years**

FIG. 2 is a fragmentary perspective view thereof, on an enlarged scale.

(21) Appl. No.: **29/597,416**

FIG. 3 is a front elevation view thereof, showing the wall mount hand mirror in a fully extended configuration.

(22) Filed: **Mar. 16, 2017**

FIG. 4 is a rear elevation view thereof.

(51) **LOC (11) Cl.** ..... **06-07**

FIG. 5 is a top plan view thereof.

(52) **U.S. Cl.**

FIG. 6 is a bottom plan view thereof.

USPC ..... **D6/309**

FIG. 7 is a right side elevation view thereof.

(58) **Field of Classification Search**

USPC ..... **D6/300-314**

CPC ... **A47G 1/00; A47G 1/02; A47G 1/06; A47G 1/0616; A47G 1/14; A47G 1/141; A45D 42/00; A45D 42/08; A45D 42/14; A45D 42/16; A45D 42/10**

FIG. 8 is a left side elevation view thereof.

See application file for complete search history.

FIG. 9 is a front elevation view thereof, showing a hand mirror part of the wall mount hand mirror pivoted to a horizontal orientation.

(56) **References Cited**

**U.S. PATENT DOCUMENTS**

1,006,315 A \* 10/1911 Toth ..... **A47G 1/17 248/467**

**D51,556 S \* 12/1917 Hawthorne ..... D6/309**

**D78,519 S \* 5/1929 Hoegger ..... D6/300**

(Continued)

FIG. 10 is a fragmentary right side elevation view thereof, on an enlarged scale.

FIG. 11 is a right side elevation view thereof.

FIG. 12 is a front elevation view of the wall mount hand mirror of FIG. 1, showing the wall mount hand mirror in a retracted configuration, and the hand mirror part of the wall mount hand mirror in a vertically extended position.

Primary Examiner — Deanna L Pratt

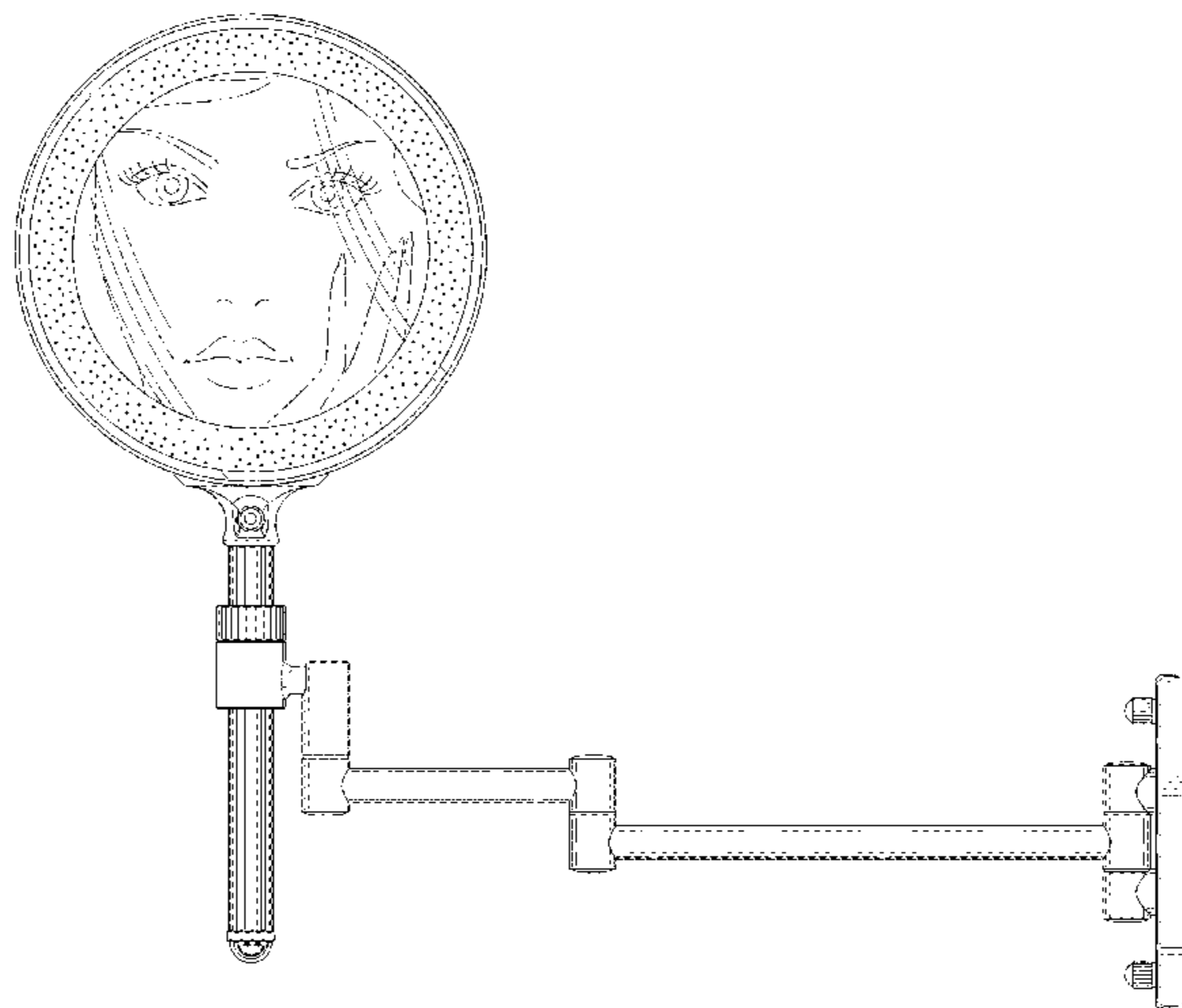
(74) Attorney, Agent, or Firm — William L. Chapin

FIG. 13 is a front elevation view thereof, with the hand mirror removed; and,

FIG. 14 is a fragmentary top plan view thereof, on an enlarged scale.

The portions of the wall mount hand mirror shown in broken lines form no part of the claimed design. The broken line showing a portion of a wall surface in FIG. 1 and of the reflection in the mirror of FIGS. 1, 3, and 4 illustrates the environment of the claimed design and forms no part thereof.

**1 Claim, 10 Drawing Sheets**



(56)

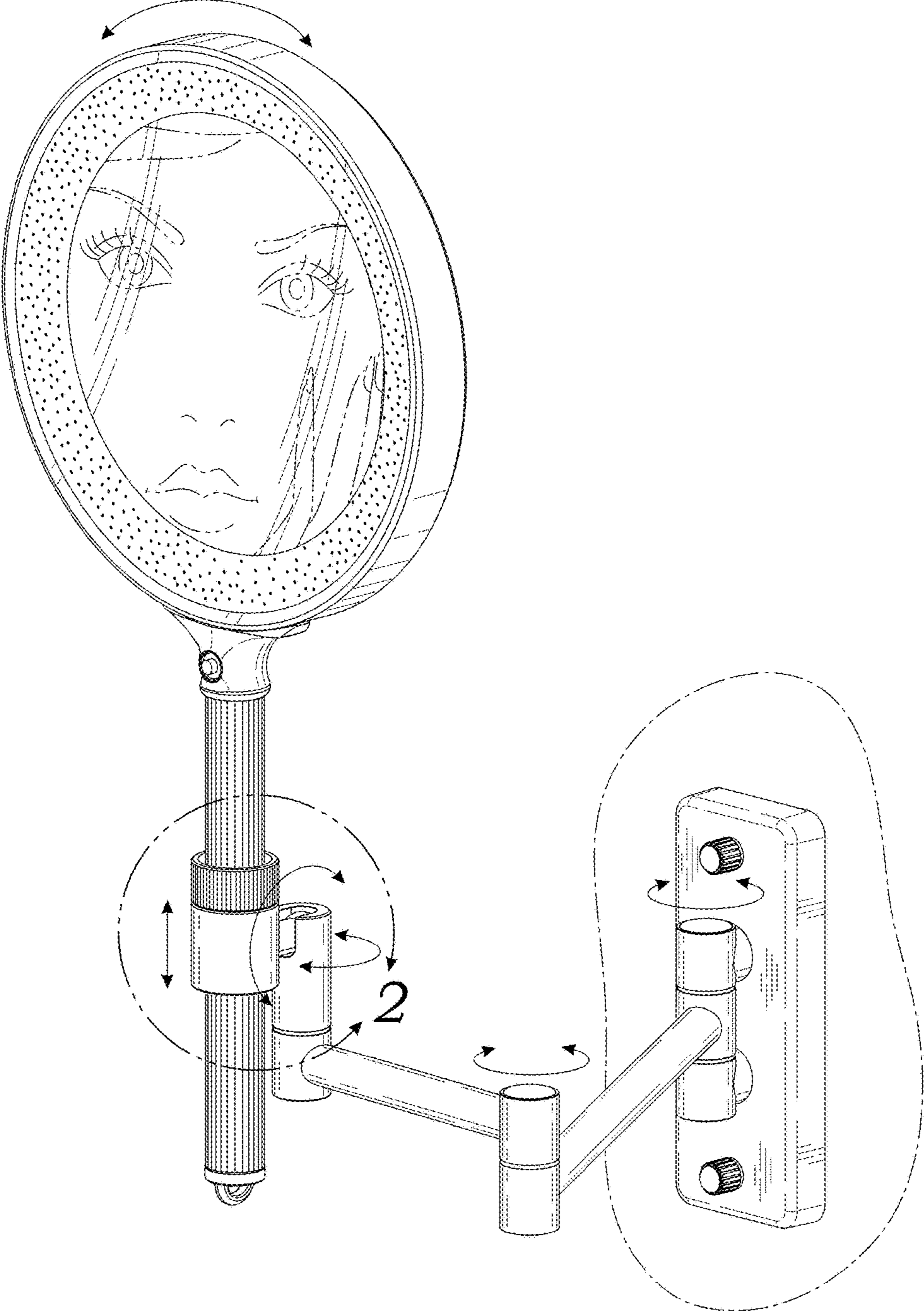
**References Cited**

U.S. PATENT DOCUMENTS

D159,100 S *	6/1950	Ryder .....	211/1
D196,092 S *	8/1963	Tager .....	D6/309
D213,392 S *	2/1969	Andrea .....	D26/56
D225,285 S *	11/1972	Heckathorn .....	D6/309
D268,443 S *	3/1983	Brown .....	D6/309
D307,678 S *	5/1990	Lookerse .....	D6/312
D409,003 S *	5/1999	Scavini .....	D6/300
D484,279 S *	12/2003	Prince .....	D28/64.6
7,780,124 B2 *	8/2010	Wang .....	H04N 5/64 248/122.1
D666,010 S *	8/2012	Farley .....	D6/309
D701,050 S *	3/2014	Yang .....	D6/309
D737,580 S *	9/2015	Tsai .....	D6/300
D751,829 S *	3/2016	Yang .....	D6/309
D754,446 S *	4/2016	Yang .....	D6/309
D802,942 S *	11/2017	Nikolov .....	D6/300
D803,583 S *	11/2017	Nikolov .....	D6/300

\* cited by examiner

Fig. 1



*Fig. 2*

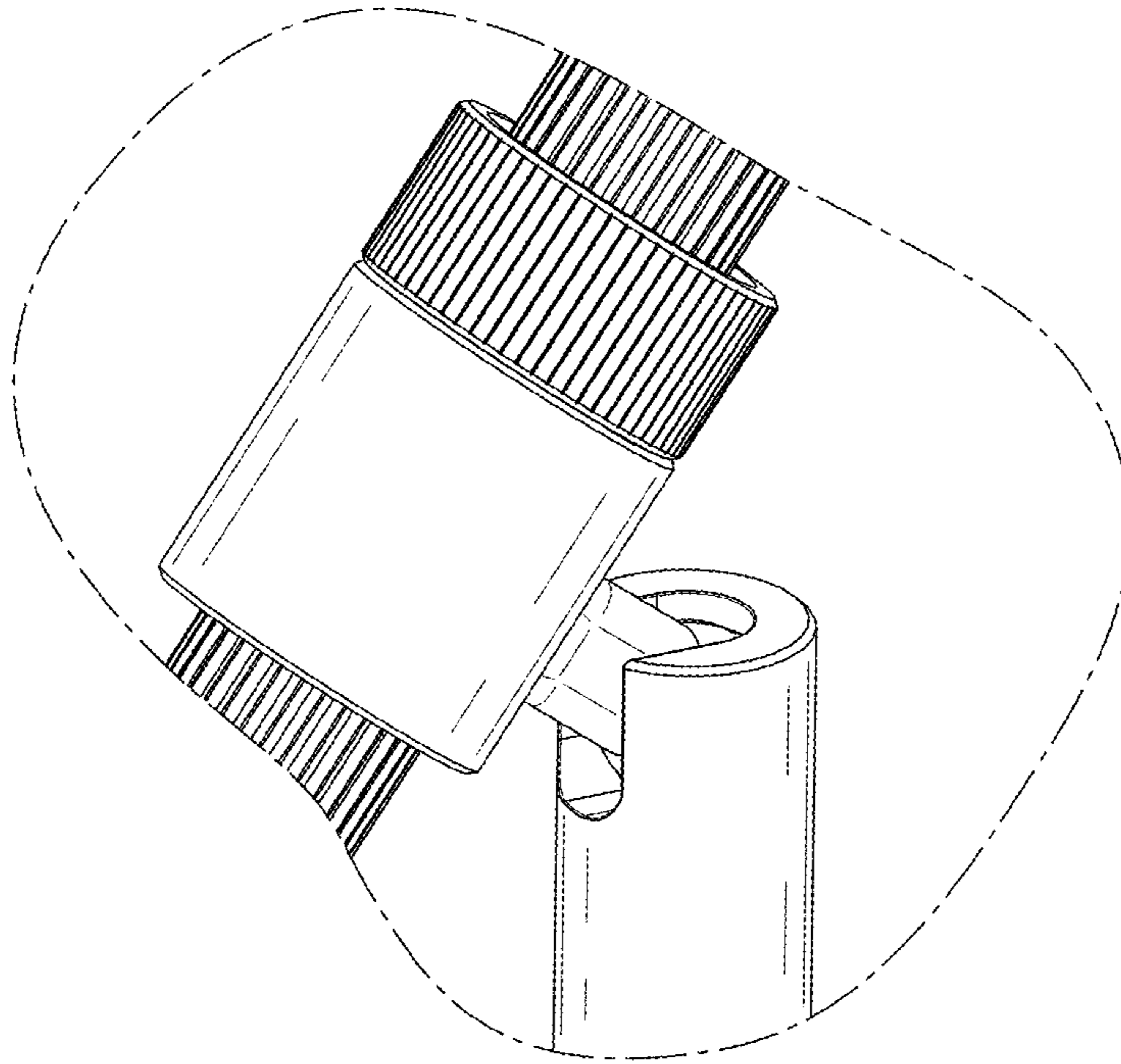
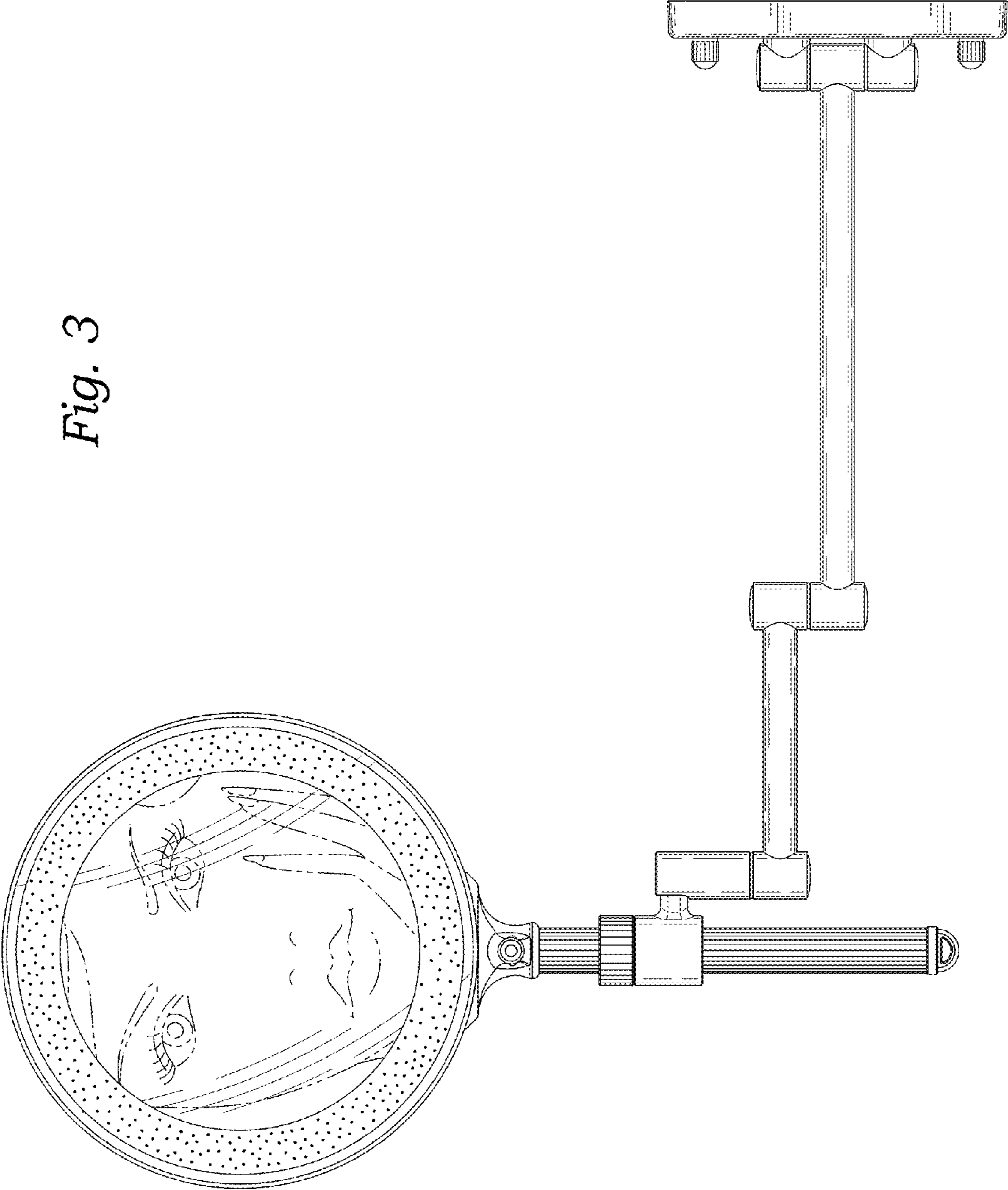


Fig. 3



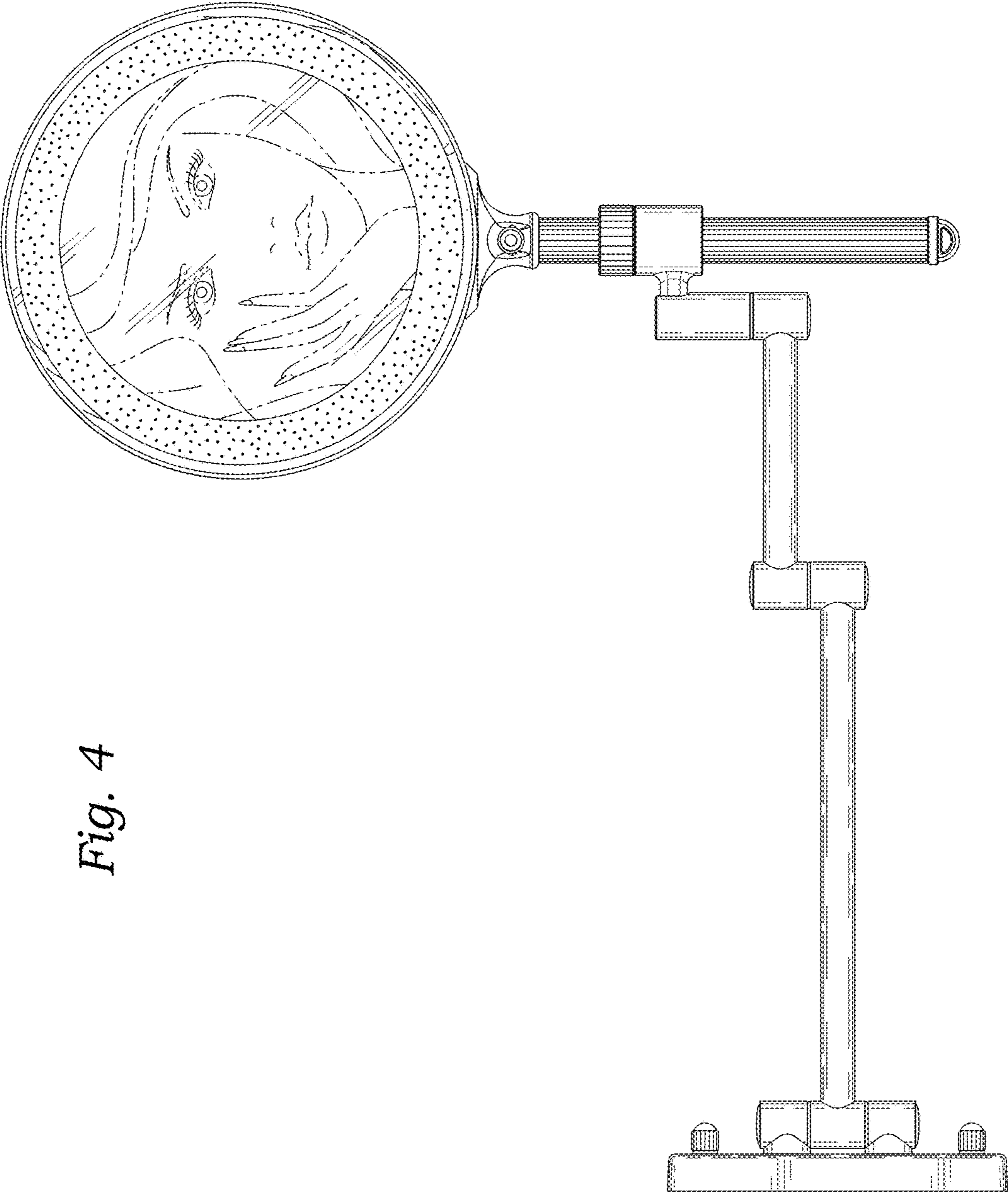
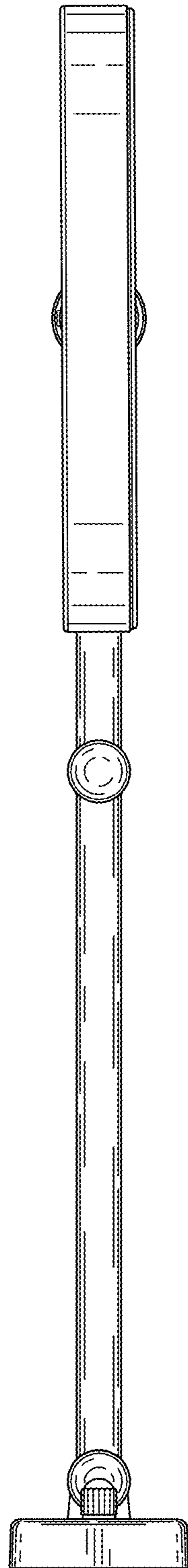
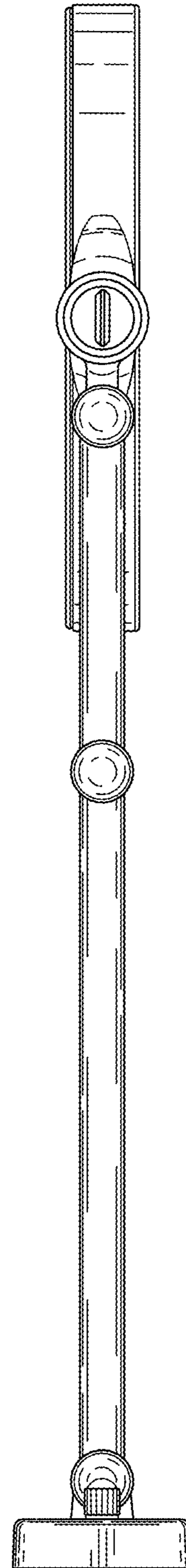


Fig. 4

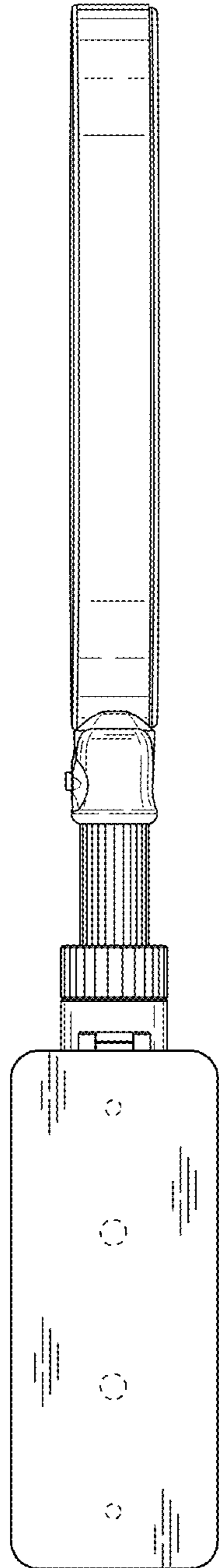
*Fig. 5*



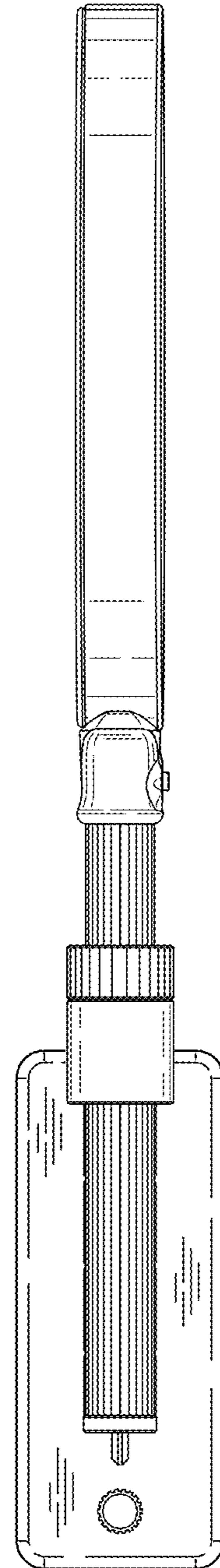
*Fig. 6*



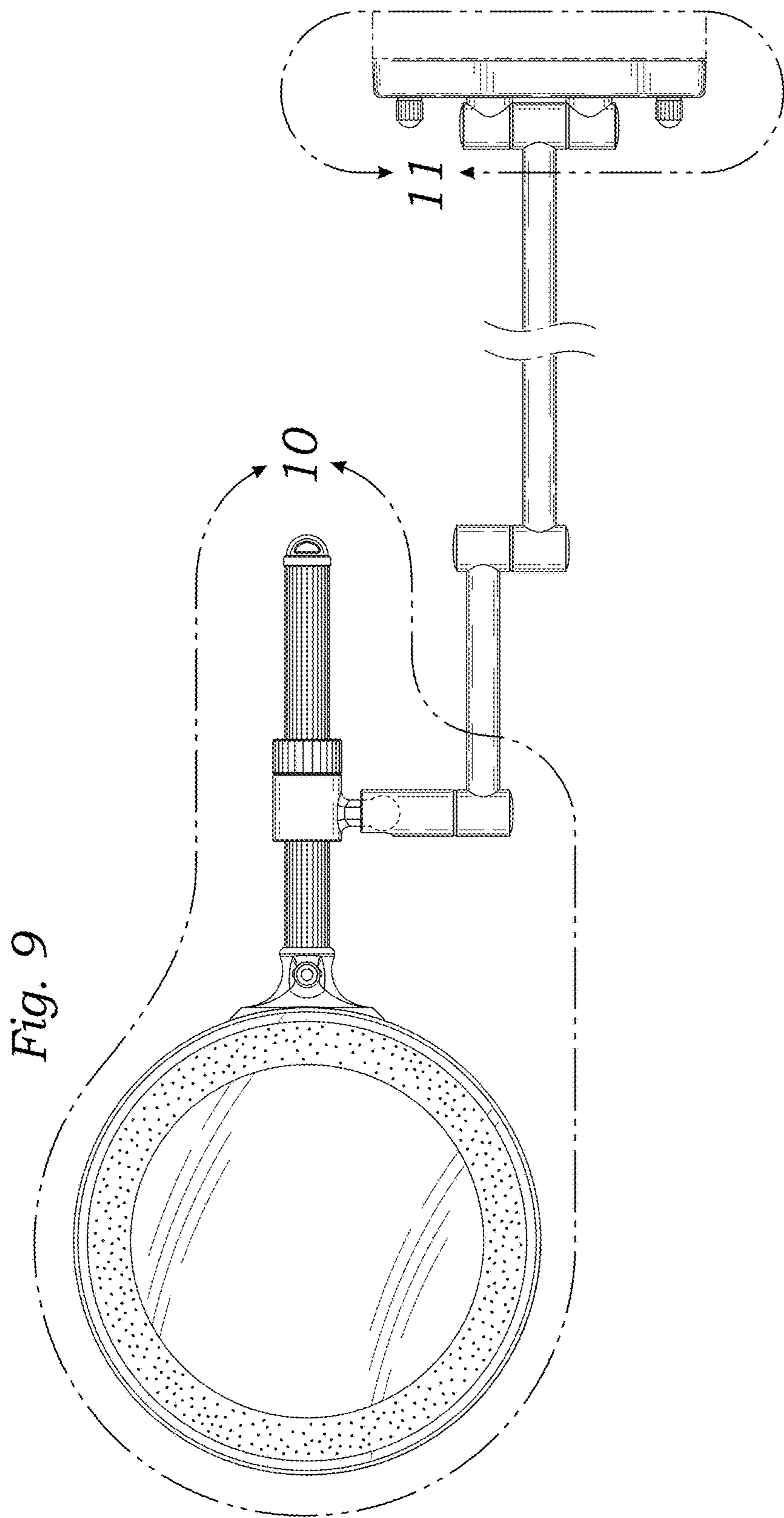
*Fig. 7*



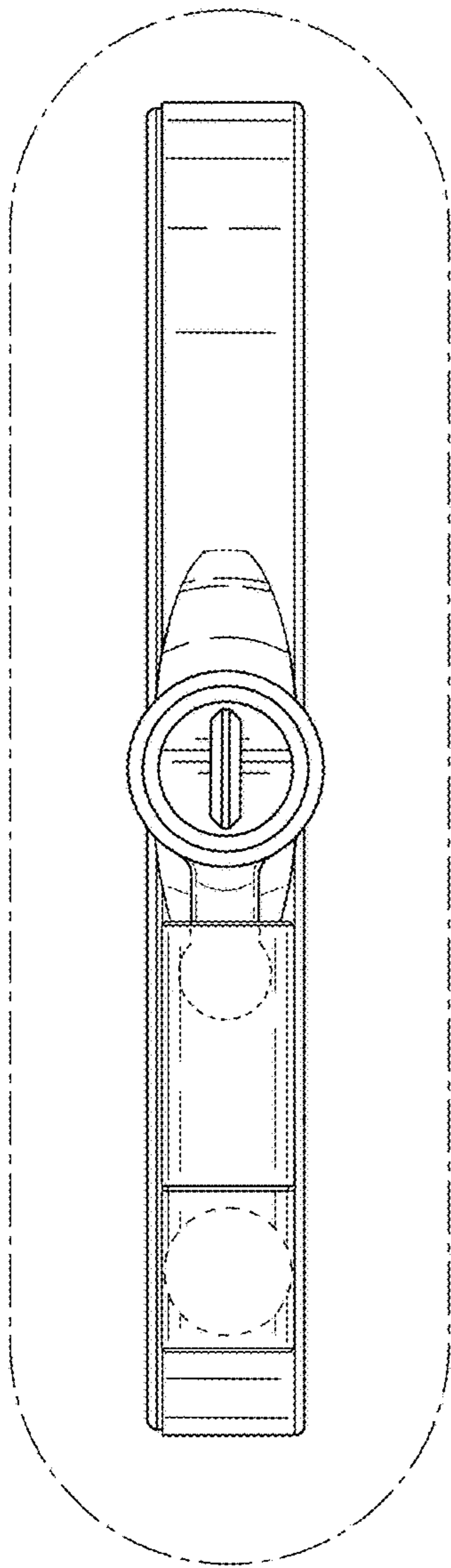
*Fig. 8*



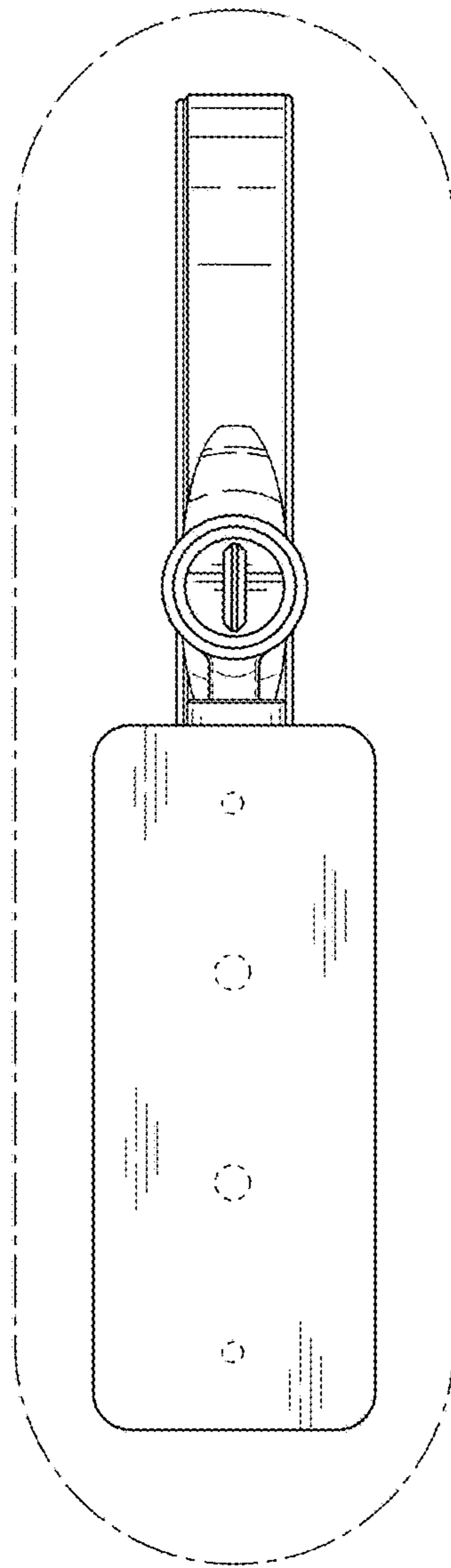




*Fig. 10*



*Fig. 11*



*Fig. 12*

