



US00D832594S

(12) **United States Design Patent**
Friend

(10) **Patent No.:** **US D832,594 S**

(45) **Date of Patent:** **** Nov. 6, 2018**

- (54) **MAKEUP APPLICATION DEVICE**
- (71) Applicant: **MICHAEL TODD BEAUTY LP**, Port Saint Lucie, FL (US)
- (72) Inventor: **Michael Friend**, Port Saint Lucie, FL (US)
- (73) Assignee: **MICHAEL TODD BEAUTY LP**, Port St. Lucie, FL (US)
- (**) Term: **15 Years**
- (21) Appl. No.: **29/594,522**
- (22) Filed: **Feb. 20, 2017**
- (51) **LOC (11) Cl.** **04-99**
- (52) **U.S. Cl.**
USPC **D4/138**
- (58) **Field of Classification Search**
USPC D4/111, 127, 131, 132, 135, 136, 138, 15/143.1
D4/199; D8/107; D28/4, 7, 76, 77, 78;
CPC A46B 5/00; A46B 5/02; A46B 9/00; A46B 9/021; A46B 2200/10; A46B 2200/102; A46B 2200/106; A46B 2200/1046; A46B 2200/1053; A45D 40/00; A45D 27/00; A45D 27/10; A45D 27/18; A61H 2205/022
See application file for complete search history.

(56) **References Cited**

U.S. PATENT DOCUMENTS

D304,392 S *	11/1989	Reich	D4/135
D449,909 S *	10/2001	Randolph	D32/40
D450,189 S *	11/2001	Mink	D4/127
D450,930 S *	11/2001	Mink	D4/135
D452,948 S *	1/2002	Mink	D4/138
D452,994 S *	1/2002	Mink	D4/138
D453,077 S *	1/2002	Chen	D4/138

D454,001 S *	3/2002	Mink	D4/127
D507,680 S *	7/2005	Py	D28/88
D514,330 S *	2/2006	Potempa	D4/138
D518,962 S *	4/2006	Hay	D4/119
D529,720 S *	10/2006	Chang	D4/138
D604,470 S *	11/2009	Billig	D32/50
D639,998 S *	6/2011	Liu	D19/901
D640,471 S *	6/2011	Lin	D4/120
D658,385 S *	5/2012	Lim	D4/121
D675,449 S *	2/2013	Martin	D4/127
D681,958 S *	5/2013	Cavazos Jimenez	D4/127
D685,191 S *	7/2013	Martin et al.	D4/127
8,668,401 B2 *	3/2014	Francavilla	A45D 34/045 132/218
D730,062 S *	5/2015	Lim	D4/138
D741,068 S *	10/2015	Frazier	D28/7
D758,668 S *	6/2016	Bonnin	D28/7
D758,742 S *	6/2016	Nicoline	D4/138

(Continued)

Primary Examiner — Wan Laymon

Assistant Examiner — Clint A Samuel

(74) *Attorney, Agent, or Firm* — Eckert Seamans Cherin & Mellott, LLC; Brij K. Agarwal

(57) **CLAIM**

The ornamental design for a makeup application device, as shown and described.

DESCRIPTION

FIG. 1 is a frontal perspective view of the makeup application device;

FIG. 2 is rearward perspective view thereof;

FIG. 3 is a right side elevational view thereof;

FIG. 4 is a left side elevational view thereof;

FIG. 5 is a front elevational view thereof;

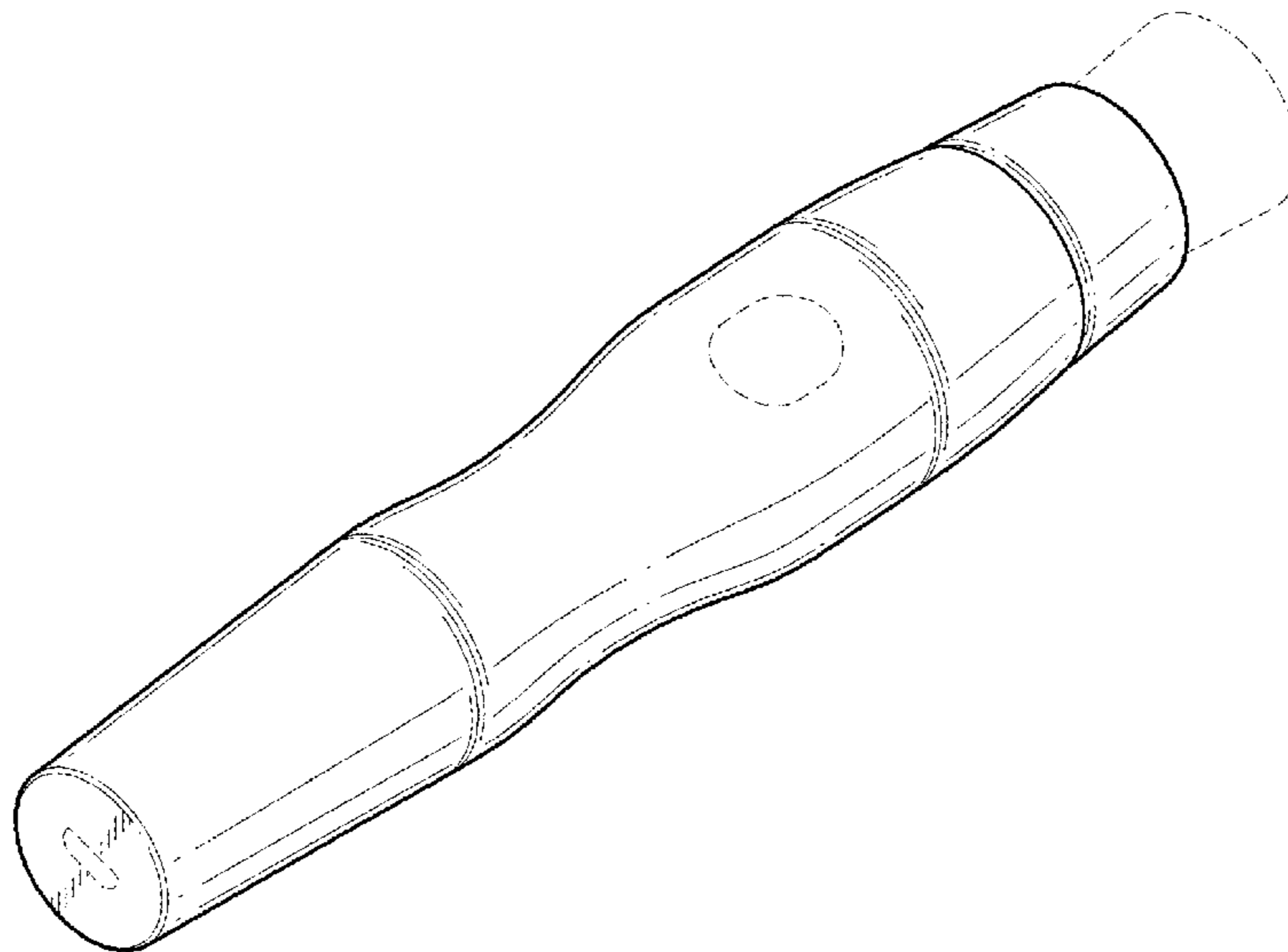
FIG. 6 is a rear elevational view thereof;

FIG. 7 is a bottom plan view thereof; and,

FIG. 8 is a top plan view thereof.

The dashed lines are for illustration of environmental subject matter only and form no part of the claimed design.

1 Claim, 4 Drawing Sheets



(56)

References Cited

U.S. PATENT DOCUMENTS

D777,442	S *	1/2017	White	D4/100
D782,202	S *	3/2017	Machiorlette	D4/127
D782,828	S *	4/2017	Hwang	D4/138
D787,190	S *	5/2017	Machiorlette	D4/102
D788,471	S *	6/2017	Dunaway	D4/135
D793,090	S *	8/2017	Allen	D4/127
D794,965	S *	8/2017	Salm	D4/138
D794,966	S *	8/2017	Salm	D4/138
D795,596	S *	8/2017	Salm	D4/138
D800,457	S *	10/2017	Kaicker	D4/138
D802,308	S *	11/2017	Salm	D4/138
D803,575	S *	11/2017	Lim	D4/138
D814,197	S *	4/2018	Salm	D4/138
D819,340	S *	6/2018	Nicoline	D4/138
D819,979	S *	6/2018	Nicoline	D4/138
2007/0177930	A1 *	8/2007	Byun	A45D 33/02 401/280
2016/0083153	A1 *	3/2016	Apodaca	A45D 40/265 401/129
2018/0084897	A1 *	3/2018	Serposi	A46B 9/028

* cited by examiner

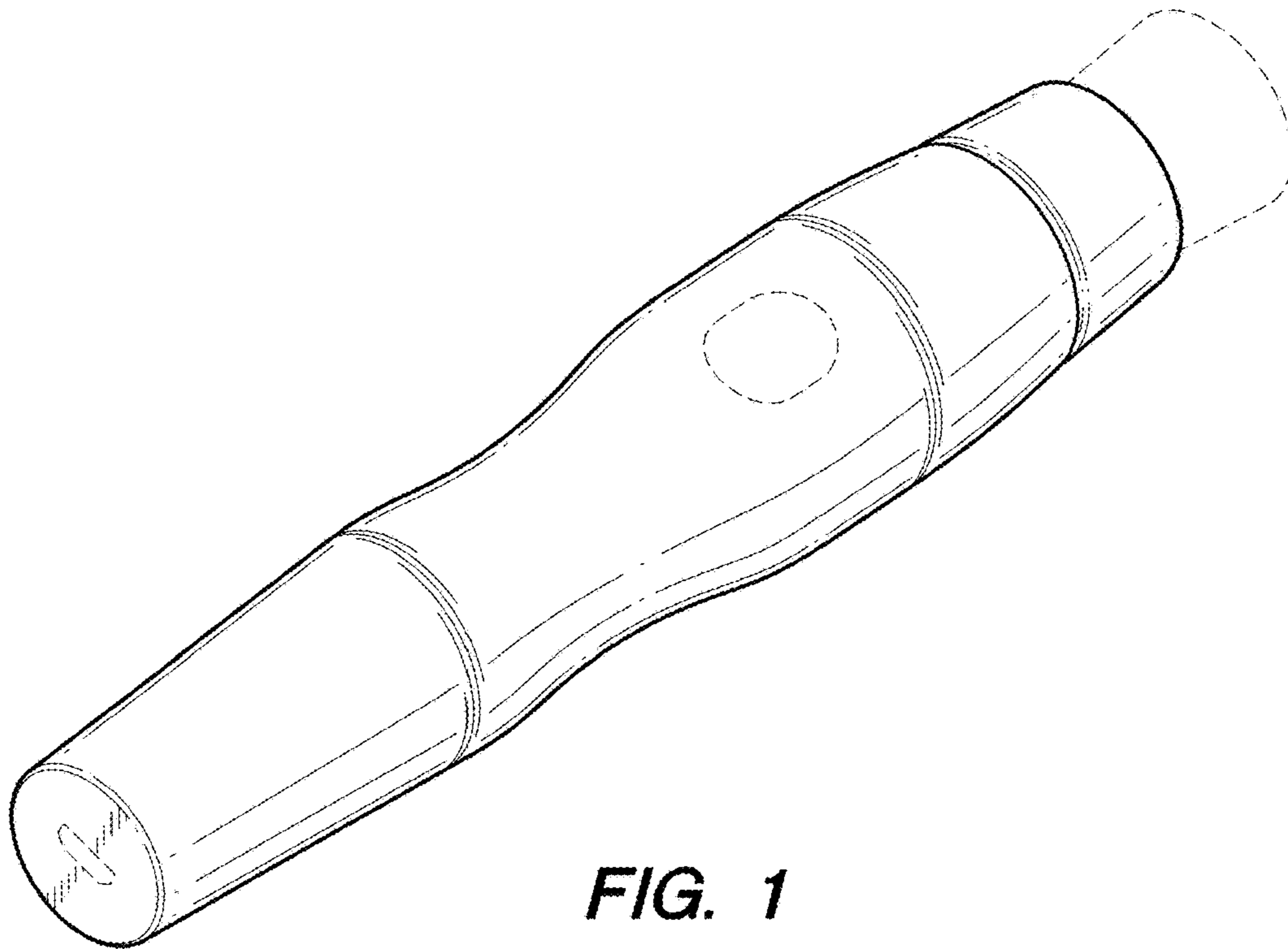


FIG. 1

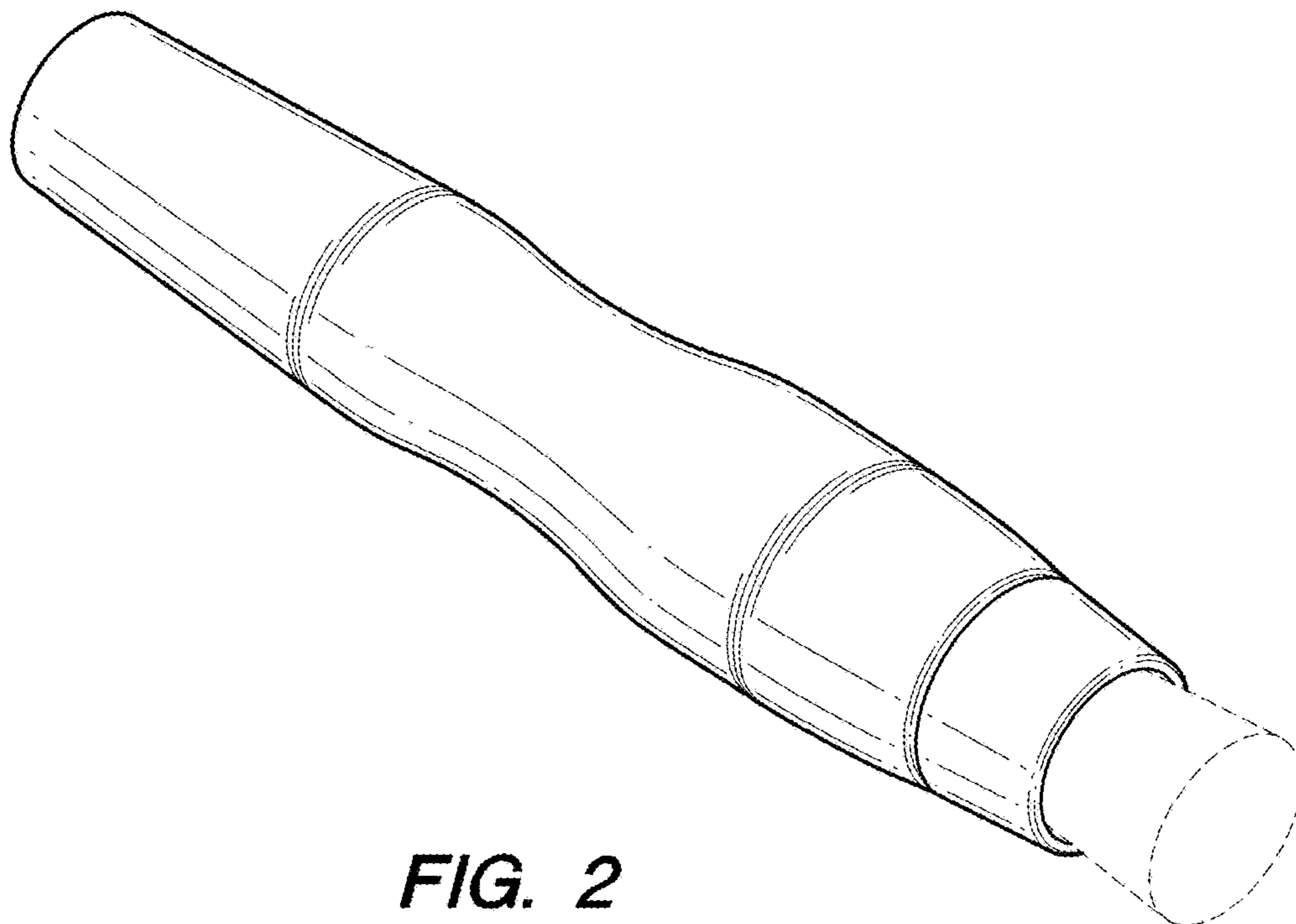


FIG. 2

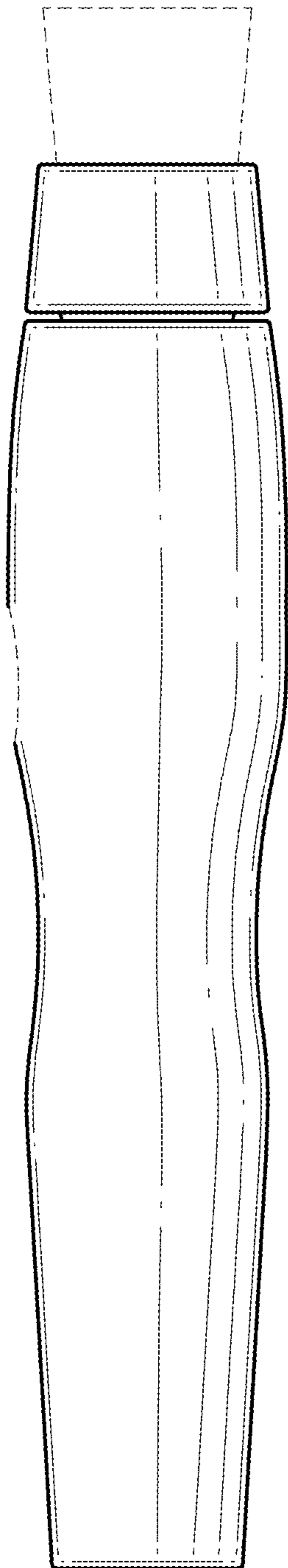


FIG. 3

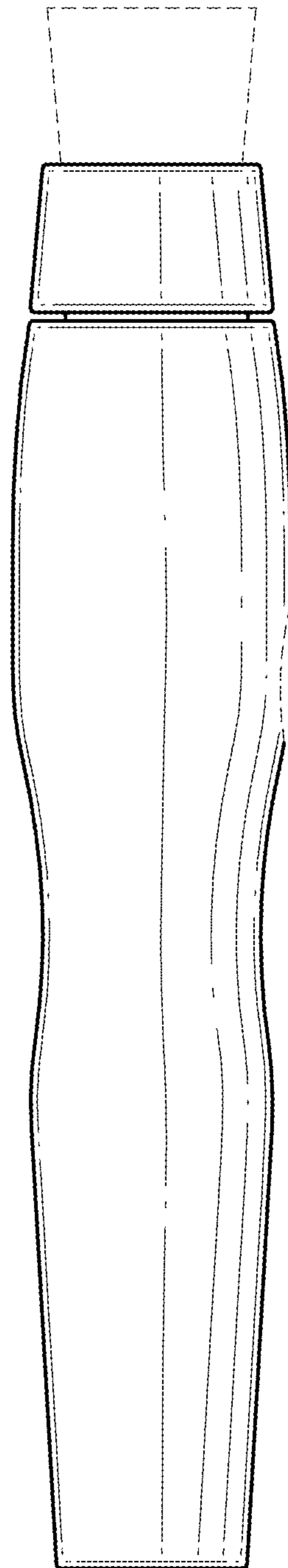


FIG. 4

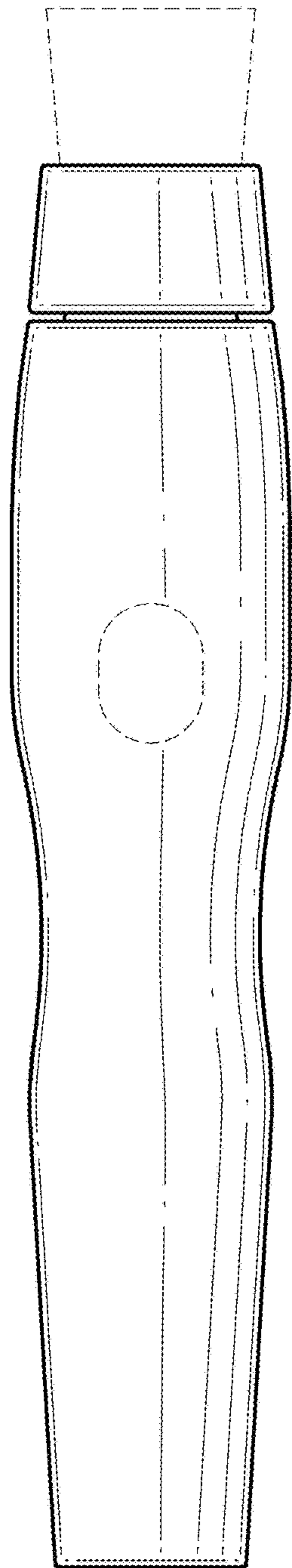


FIG. 5

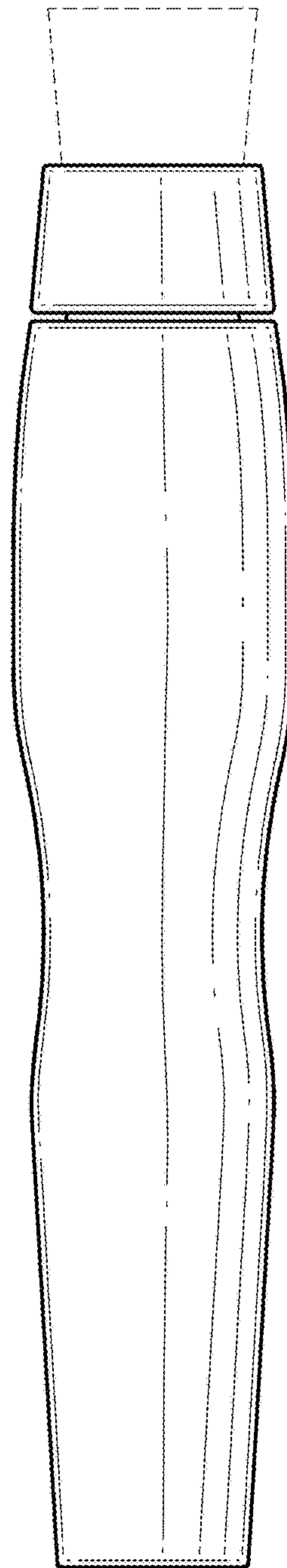


FIG. 6

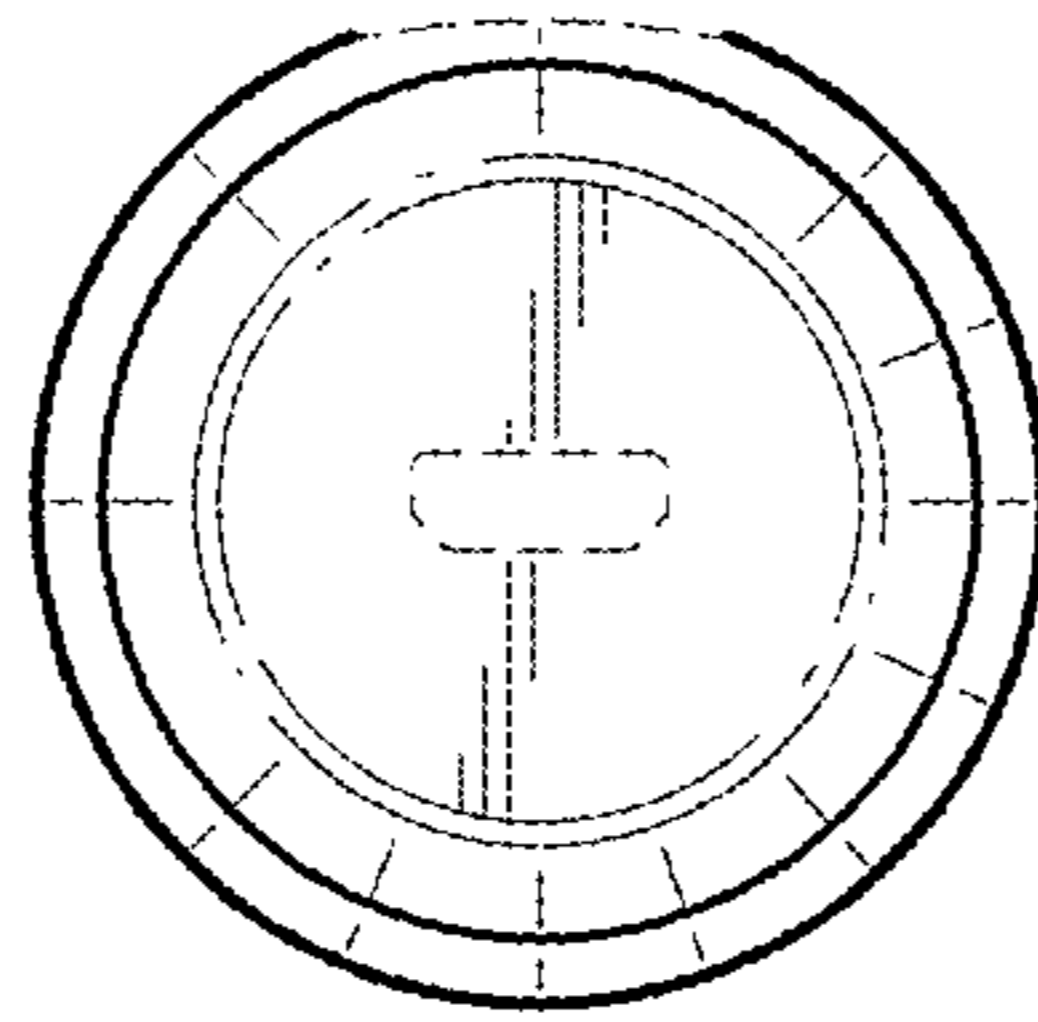


FIG. 7

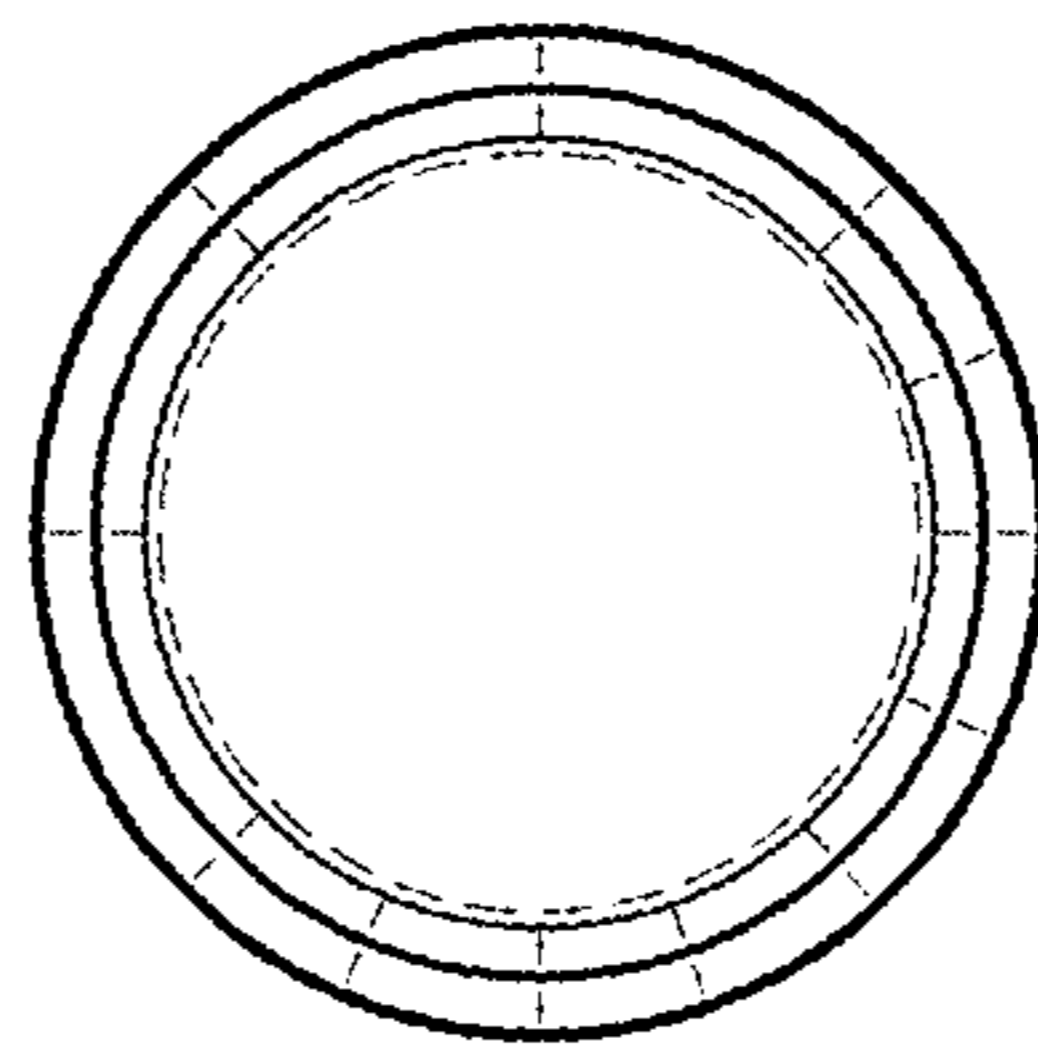


FIG. 8