



US00D832591S

(12) **United States Design Patent**  
**Kuo**

(10) **Patent No.:** **US D832,591 S**

(45) **Date of Patent:** **\*\* Nov. 6, 2018**

(54) **HAIR BRUSH**

(71) Applicant: **Conair Corporation**, Stamford, CT  
(US)

(72) Inventor: **Chiou-Chern Kuo**, Taipei (TW)

(73) Assignee: **Conair Corporation**, Stamford, CT  
(US)

(\*\*) Term: **15 Years**

(21) Appl. No.: **29/613,322**

(22) Filed: **Aug. 9, 2017**

(51) **LOC (11) Cl.** ..... **04-02**

(52) **U.S. Cl.**  
USPC ..... **D4/128**

(58) **Field of Classification Search**  
USPC ..... D4/128, 129, 131, 136, 138, 108, 109,  
D4/119; D32/35, 51; 15/104.5, 104.16,  
15/104.2, 104.31, 104.32, 164, 165, 206;  
D28/65; D7/682; 452/298, 458  
CPC ..... A46B 2200/10; A46B 2200/104;  
A45D 2/10; A45D 1/00; A46D 1/003;  
A46D 3/087  
See application file for complete search history.

(56) **References Cited**

U.S. PATENT DOCUMENTS

D557,017 S \* 12/2007 Kampel ..... D4/128  
7,930,793 B2 \* 4/2011 Stydahr ..... A46B 7/06  
132/120  
D653,038 S \* 1/2012 Park ..... D4/128  
D668,054 S \* 10/2012 Julemont ..... D4/128  
D679,910 S \* 4/2013 Nimsgern ..... D4/128

D720,137 S \* 12/2014 Schuler ..... D4/128  
D720,138 S \* 12/2014 Schuler ..... D4/128  
D721,505 S \* 1/2015 Schuler ..... D4/128  
D724,268 S \* 3/2015 Gardella ..... D28/37  
D730,060 S \* 5/2015 Rennette ..... D4/128  
D787,834 S \* 5/2017 Cheung ..... D4/128  
D794,339 S \* 8/2017 Morton ..... D4/138  
D798,605 S \* 10/2017 Funches ..... D4/128  
D805,786 S \* 12/2017 Morton ..... D4/133  
2012/0152272 A1 \* 6/2012 Solovey ..... A45D 2/002  
132/242  
2014/0075694 A1 \* 3/2014 Toh ..... A45D 4/06  
15/160

\* cited by examiner

*Primary Examiner* — Austin Murphy

(74) *Attorney, Agent, or Firm* — Ohlandt, Greeley,  
Ruggiero & Perle, L.L.P.

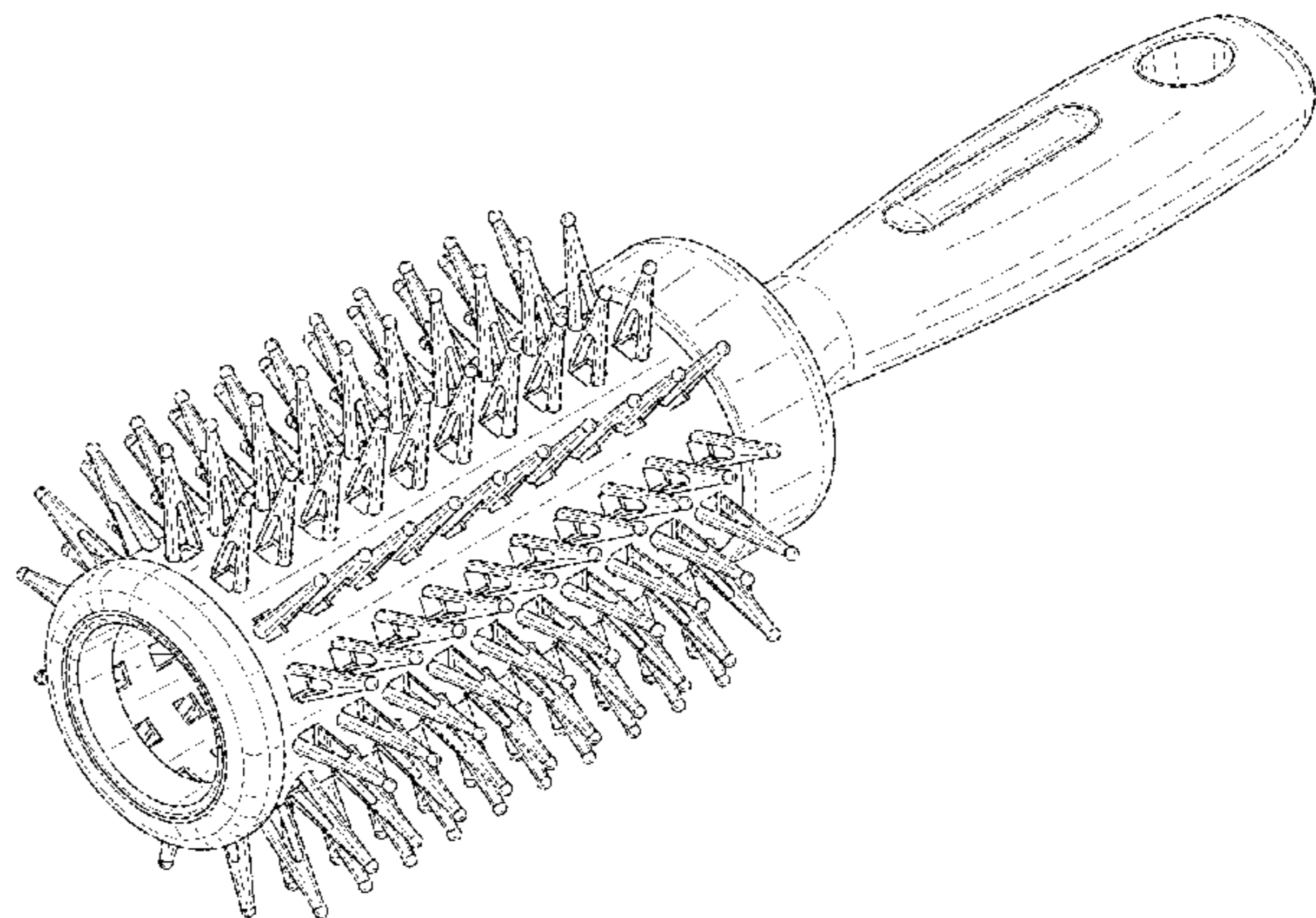
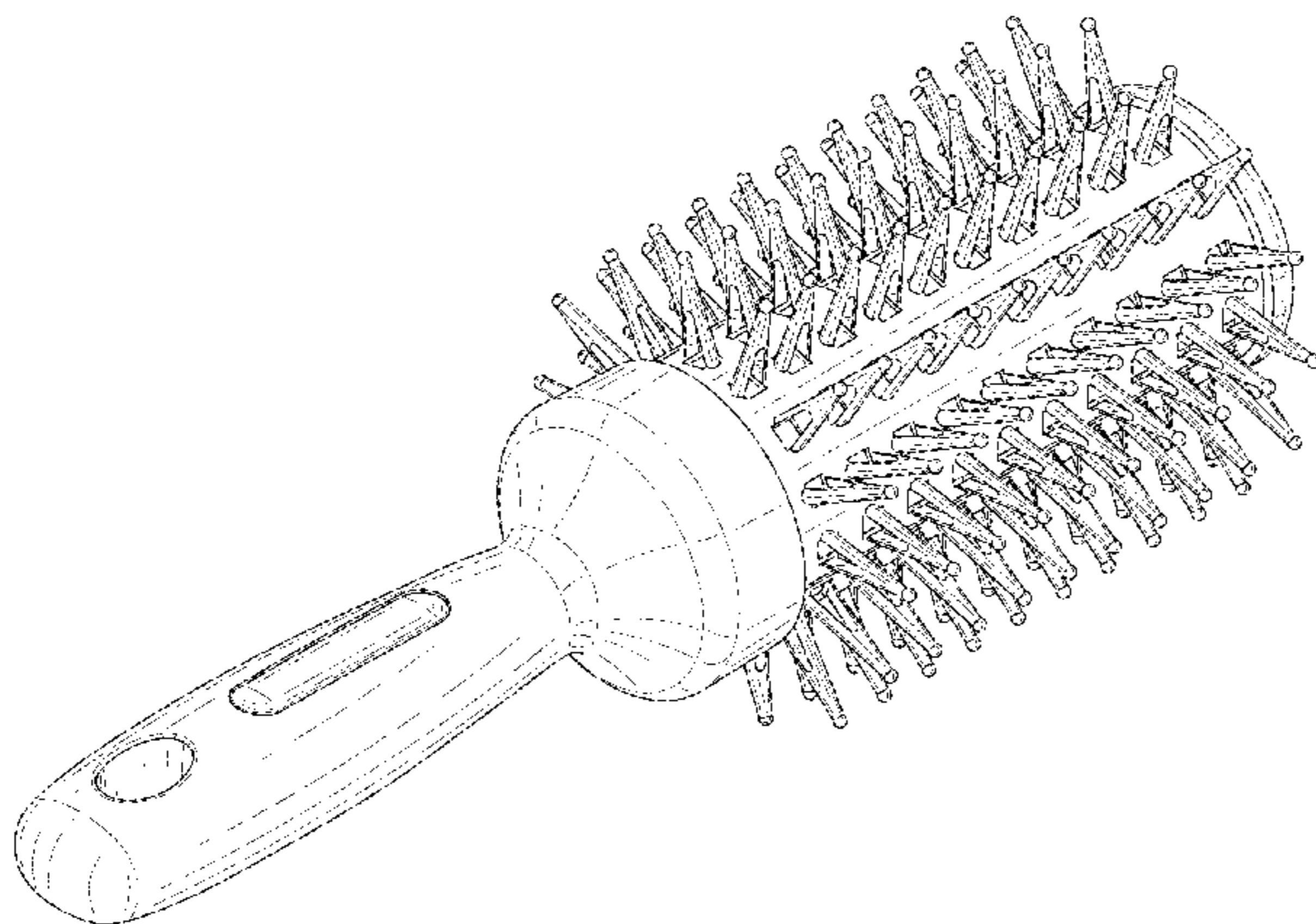
(57) **CLAIM**

The ornamental design for a hair brush, as shown and described.

**DESCRIPTION**

FIG. 1 is a bottom front perspective view of a new design for a hair brush according to the present invention; FIG. 2 is a top front perspective view thereof; FIG. 3 is a front elevational view thereof; FIG. 4 is a rear elevational view thereof; FIG. 5 is a first side elevational view thereof, wherein a second side elevational view is identical to and opposite of the first side elevational view; FIG. 6 is a top plan view thereof; and, FIG. 7 is a bottom plan view thereof.

**1 Claim, 6 Drawing Sheets**



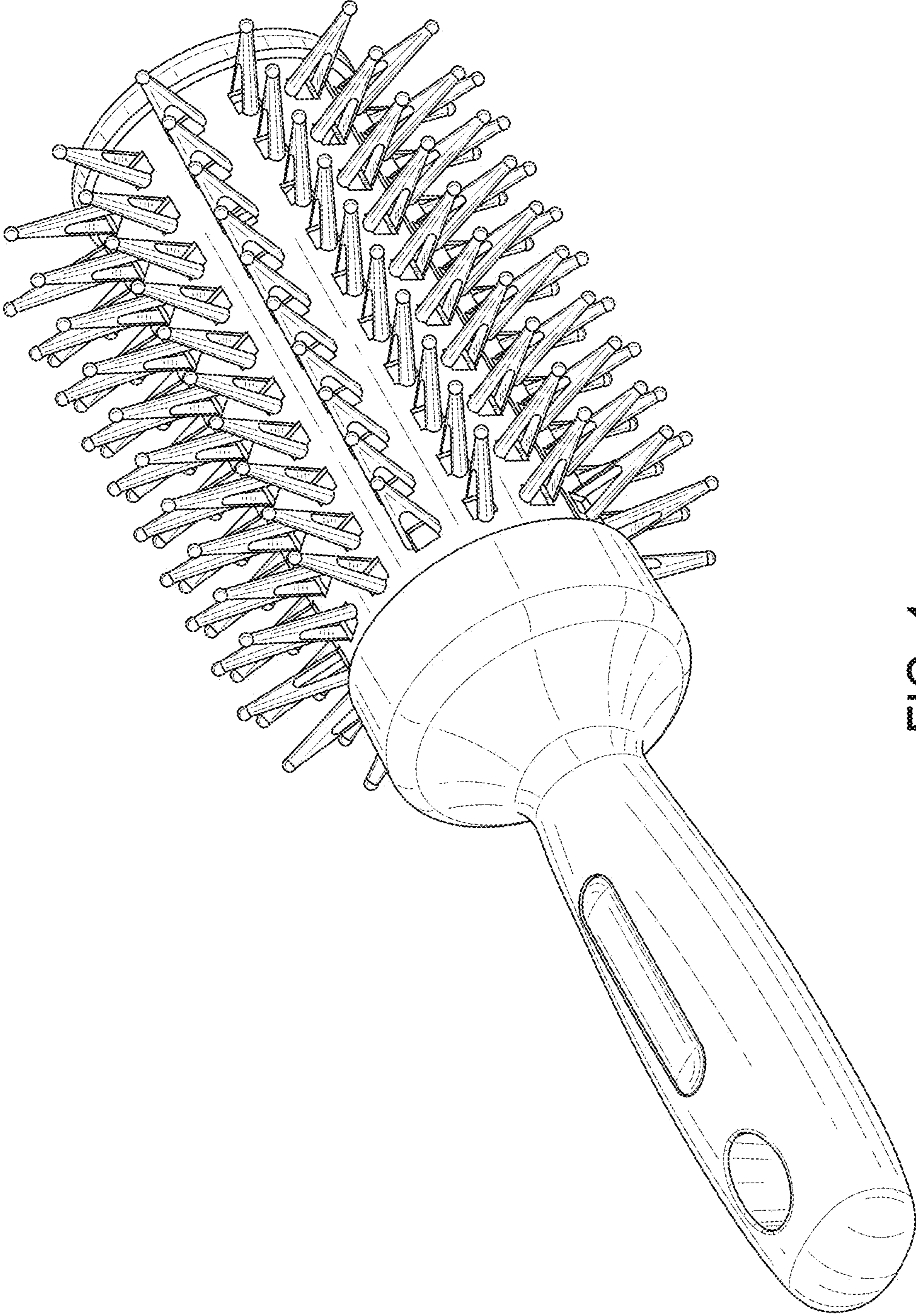


FIG. 1

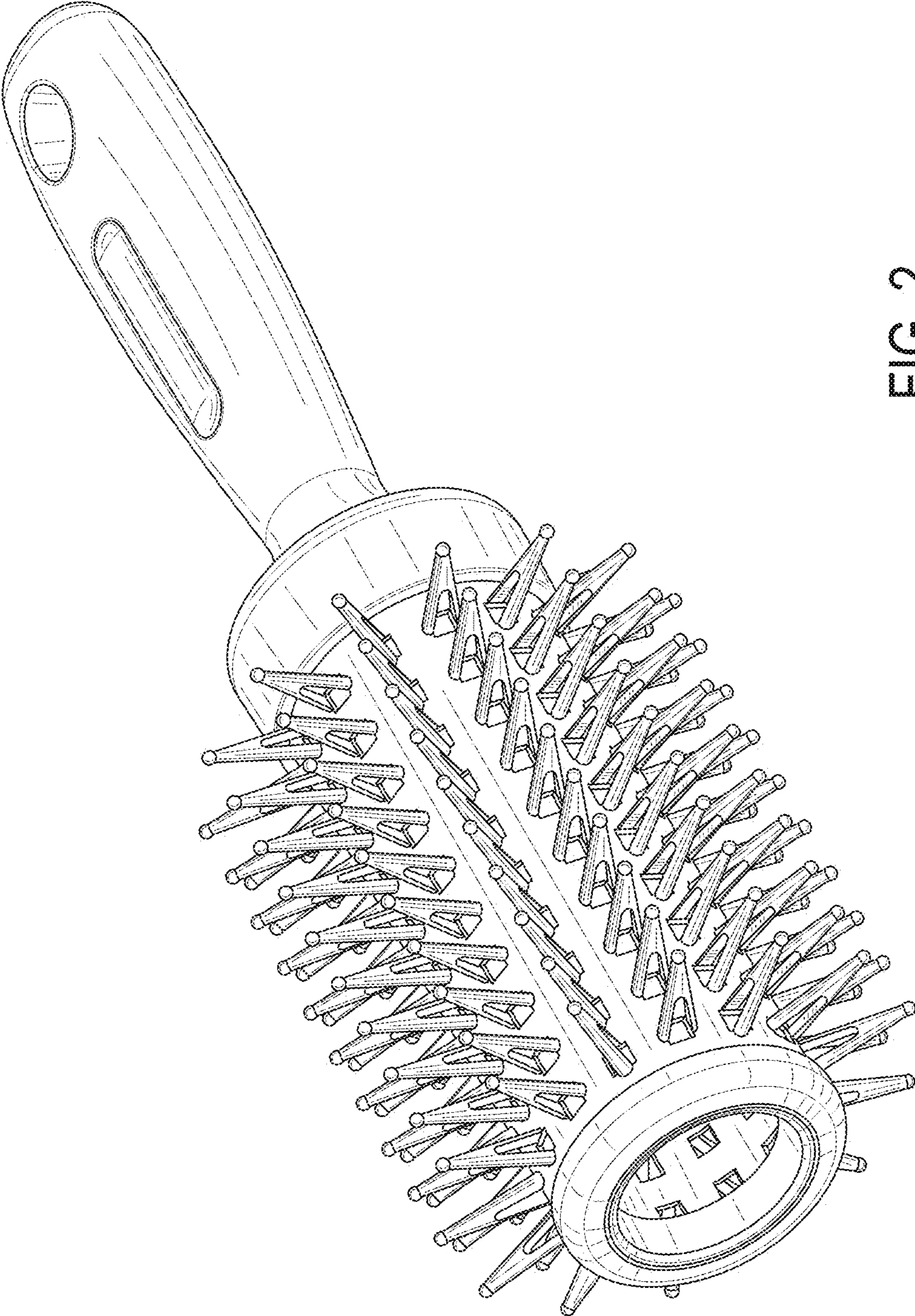


FIG. 2

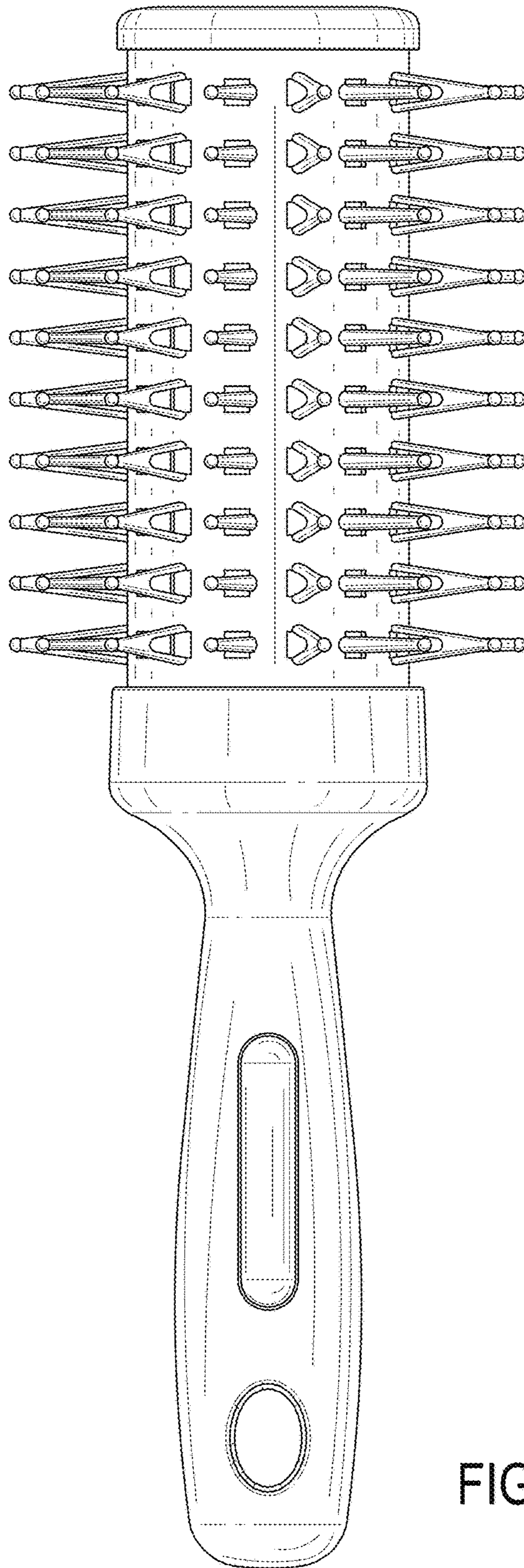


FIG. 3

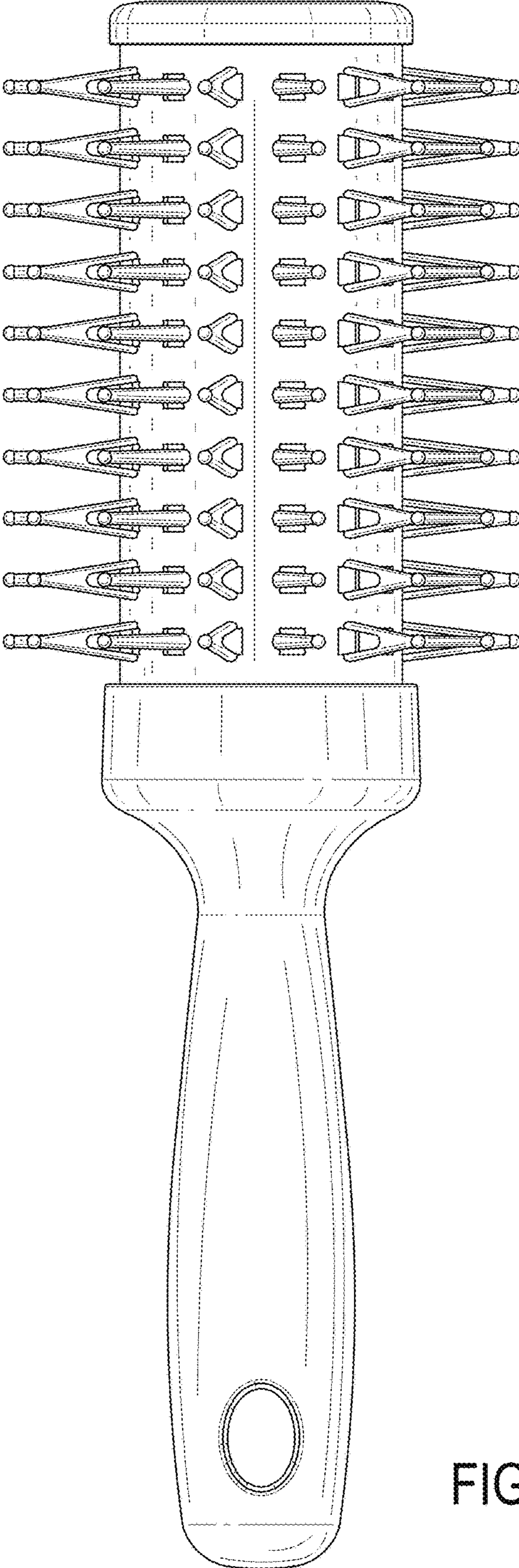


FIG. 4

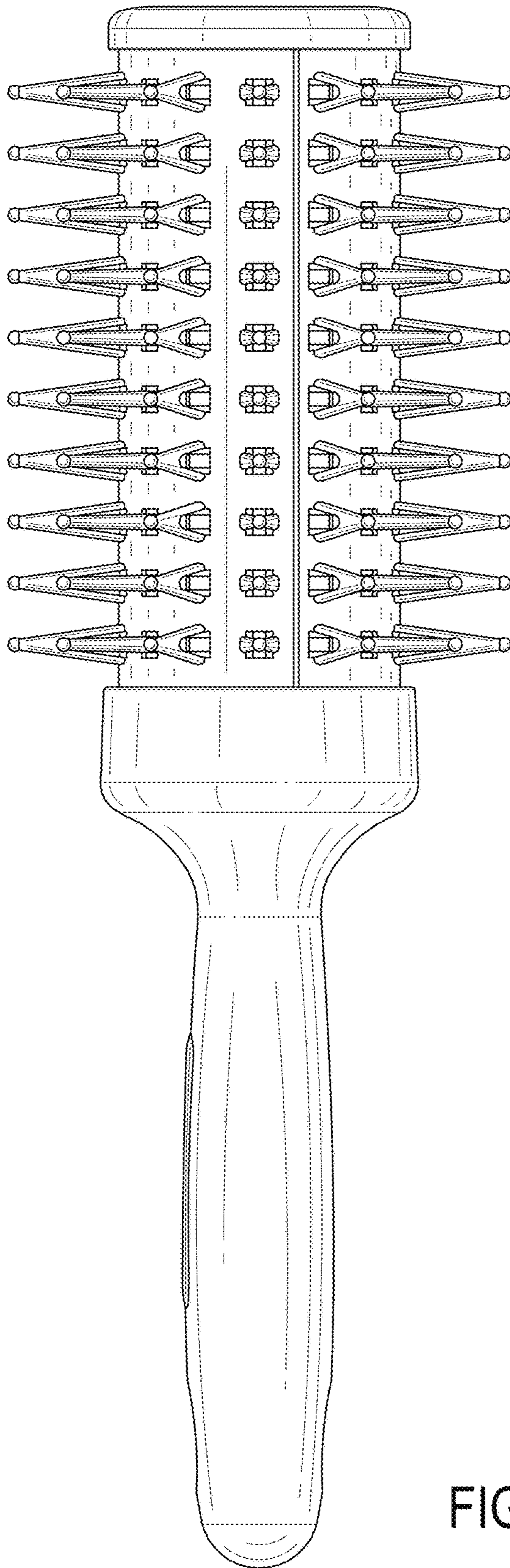


FIG. 5

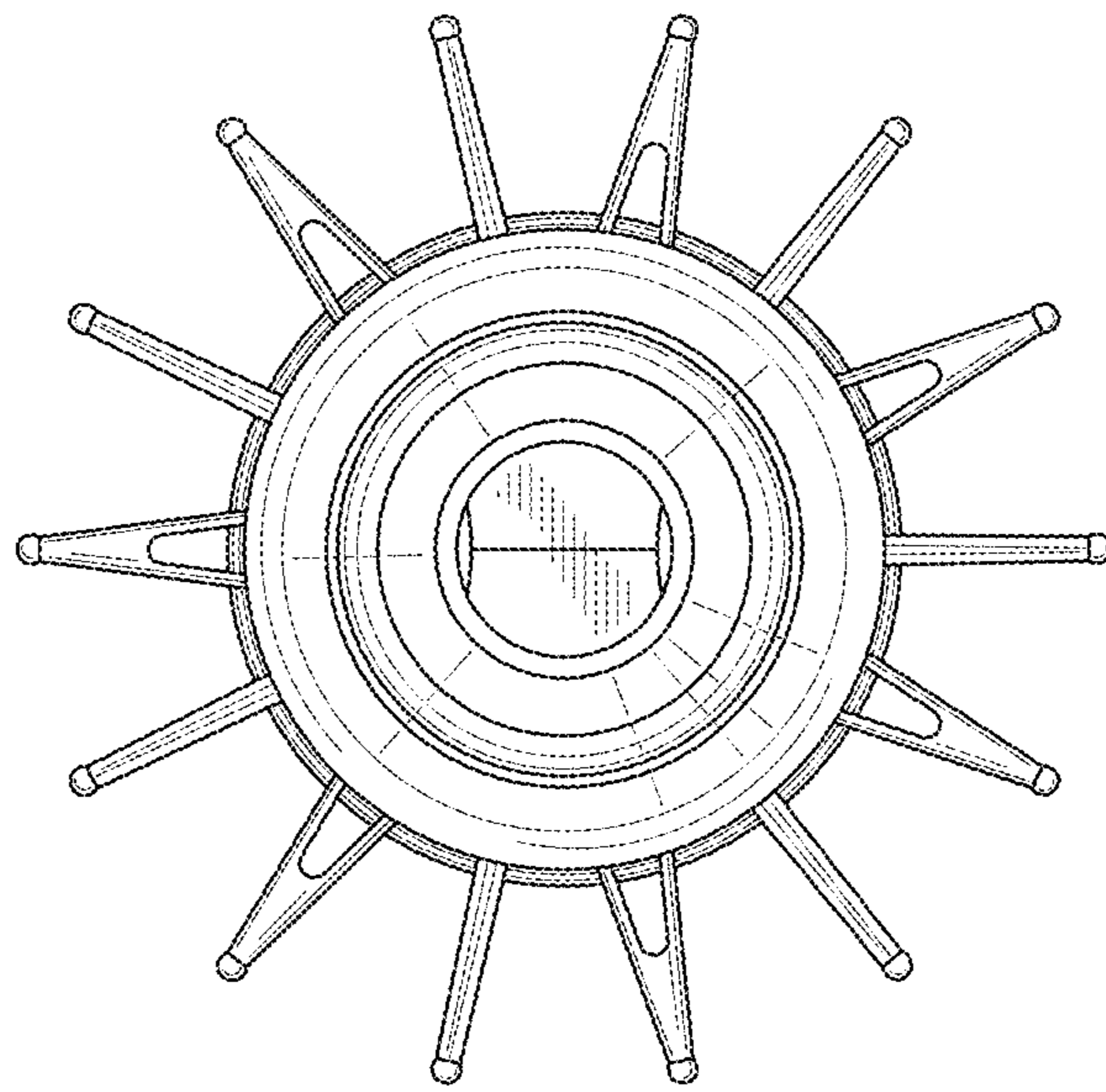


FIG. 6

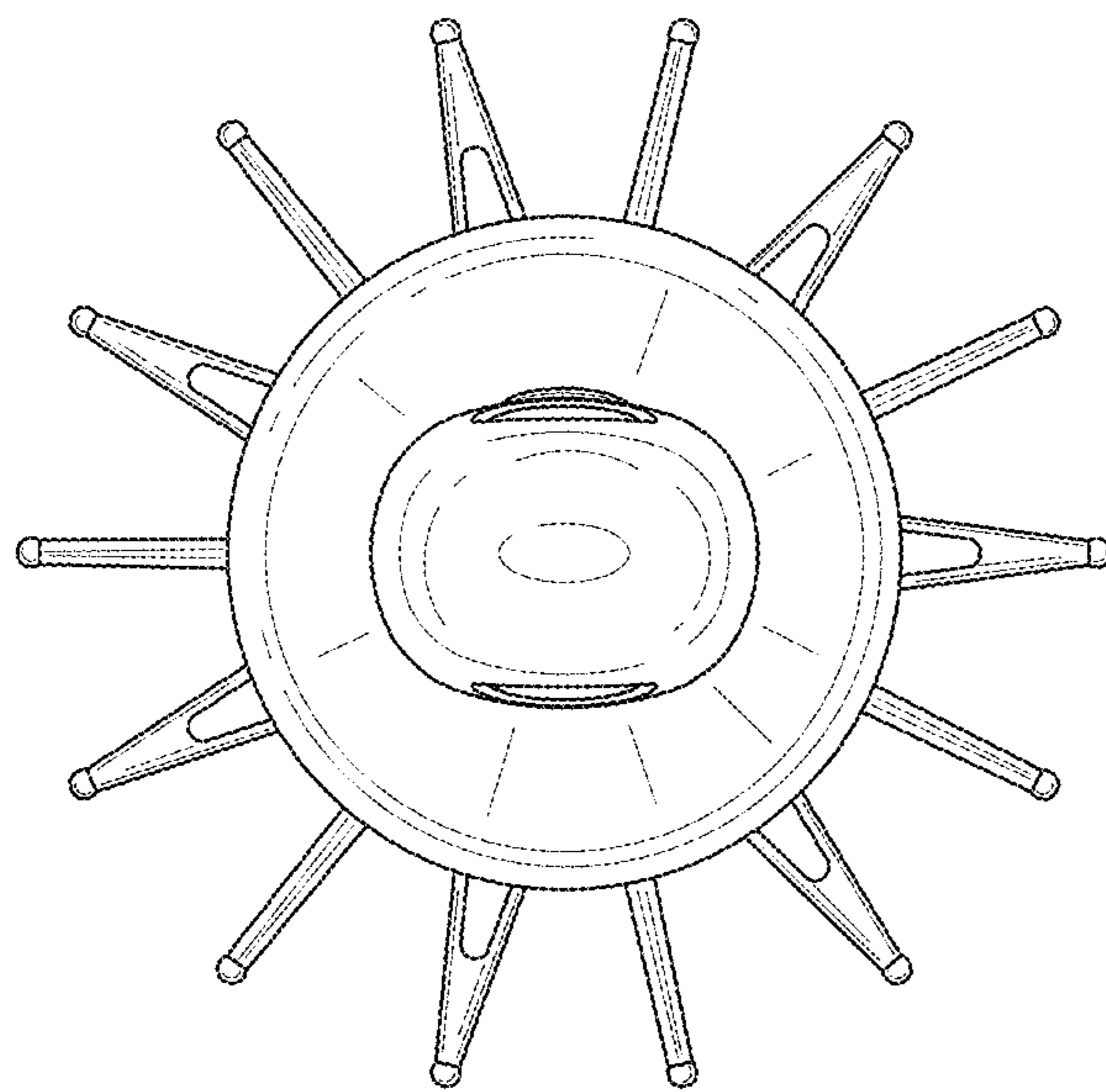


FIG. 7