



US00D832590S

(12) **United States Design Patent** (10) **Patent No.:** **US D832,590 S**  
**Joseph** (45) **Date of Patent:** **\*\* Nov. 6, 2018**

(54) **TOILET BOWL BRUSH**  
(71) Applicant: **JOSEPH JOSEPH, LTD.**, London (GB)  
(72) Inventor: **Antony Joseph**, London (GB)  
(73) Assignee: **JOSEPH JOSEPH LTD.**, London (GB)  
(\*\*) Term: **15 Years**  
(21) Appl. No.: **29/614,957**  
(22) Filed: **Aug. 24, 2017**

D399,349 S \* 10/1998 Barth ..... D4/106  
D403,165 S \* 12/1998 Ferrante ..... D4/119  
D404,924 S \* 2/1999 Schmidt ..... D32/51  
5,971,141 A \* 10/1999 Shafik ..... A47K 11/10  
206/225  
D466,306 S \* 12/2002 Skwarek ..... D4/117  
6,981,293 B2 \* 1/2006 Steinberg ..... A47K 7/028  
15/104.94  
D515,818 S \* 2/2006 Groblebe ..... D4/115  
D522,756 S \* 6/2006 Moore ..... D4/124  
D524,058 S \* 7/2006 Tapp ..... D4/138  
D558,417 S \* 12/2007 Libman ..... D32/45  
D560,914 S \* 2/2008 Yang ..... D4/128  
D628,391 S \* 12/2010 Knight ..... D4/120  
D632,085 S \* 2/2011 Kroehl ..... D4/128  
D650,590 S \* 12/2011 Carlson ..... D4/120  
D655,509 S \* 3/2012 Dombrowski ..... D4/108  
D698,504 S \* 1/2014 Glunz ..... D30/158  
D700,438 S \* 3/2014 Borovicka ..... D4/131  
D724,846 S \* 3/2015 Sheppard ..... D4/105

(30) **Foreign Application Priority Data**  
Mar. 8, 2017 (EM) ..... 003789452-0001  
(51) **LOC (11) Cl.** ..... **04-01**  
(52) **U.S. Cl.**  
USPC ..... **D4/120**  
(58) **Field of Classification Search**  
USPC ..... D4/120, 104, 111, 124, 138, 119, 131,  
D4/115, 105, 128, 117, 106, 121;  
D32/51, 35, 40, 45; D21/789; D30/158;  
206/225; 15/104.94; D23/223  
CPC ..... A46B 5/0008; A46B 5/02; A47K 11/10;  
A47K 7/028  
See application file for complete search history.

(56) **References Cited**  
U.S. PATENT DOCUMENTS  
D266,035 S \* 9/1982 Thompson ..... D4/128  
D281,743 S \* 12/1985 Thompson ..... D4/121  
D307,831 S \* 5/1990 Crane ..... D4/131  
D334,049 S \* 3/1993 Klose ..... D23/223  
5,617,605 A \* 4/1997 Hoerner ..... A46B 5/02  
15/105  
D396,909 S \* 8/1998 Carter ..... D21/789

(Continued)

*Primary Examiner* — Rhea Shields  
(74) *Attorney, Agent, or Firm* — Millen, White, Zelano, Branigan, P.C.

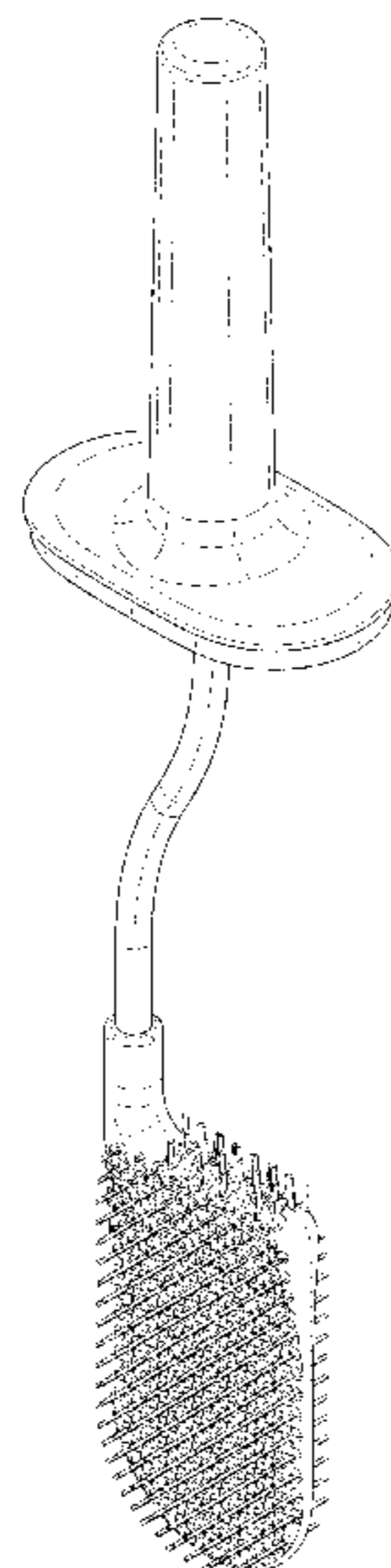
(57) **CLAIM**

The ornamental design for a toilet bowl brush, as shown and described.

**DESCRIPTION**

FIG. 1 is a top perspective view of the toilet bowl brush showing my new design.  
FIG. 2 is a front view thereof.  
FIG. 3 is a back view thereof.  
FIG. 4 is a side view thereof.  
FIG. 5 is another side view thereof.  
FIG. 6 is a top view thereof; and,  
FIG. 7 is a bottom view thereof.  
The broken lines in the drawings illustrate portions of the toilet bowl brush which form no part of the claimed design.

**1 Claim, 7 Drawing Sheets**



(56)

**References Cited**

U.S. PATENT DOCUMENTS

9,265,334	B1 *	2/2016	Fung-A-Wing .....	A46B 5/0008
D756,660	S *	5/2016	Zemel .....	D4/120
D765,418	S *	9/2016	Lin .....	D4/119
D767,902	S *	10/2016	Holma .....	D4/119
D768,997	S *	10/2016	Shlaferman .....	D4/111
D772,580	S *	11/2016	Harrington .....	D4/138
D779,831	S *	2/2017	De la Cruz .....	D4/104
D804,757	S *	12/2017	Campbell, Jr. ....	D32/40
D817,571	S *	5/2018	Campbell .....	D32/35

\* cited by examiner

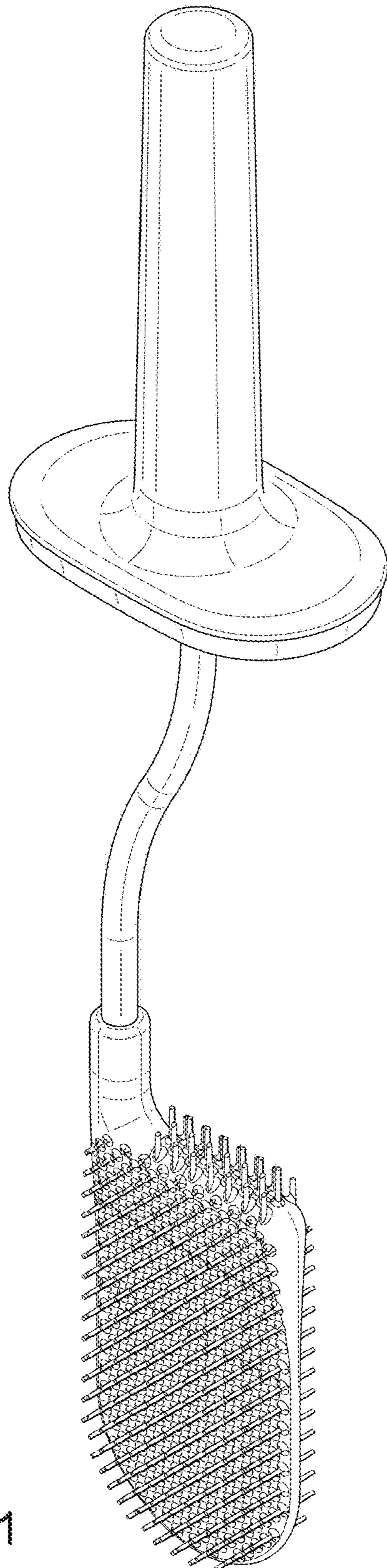


FIG. 1

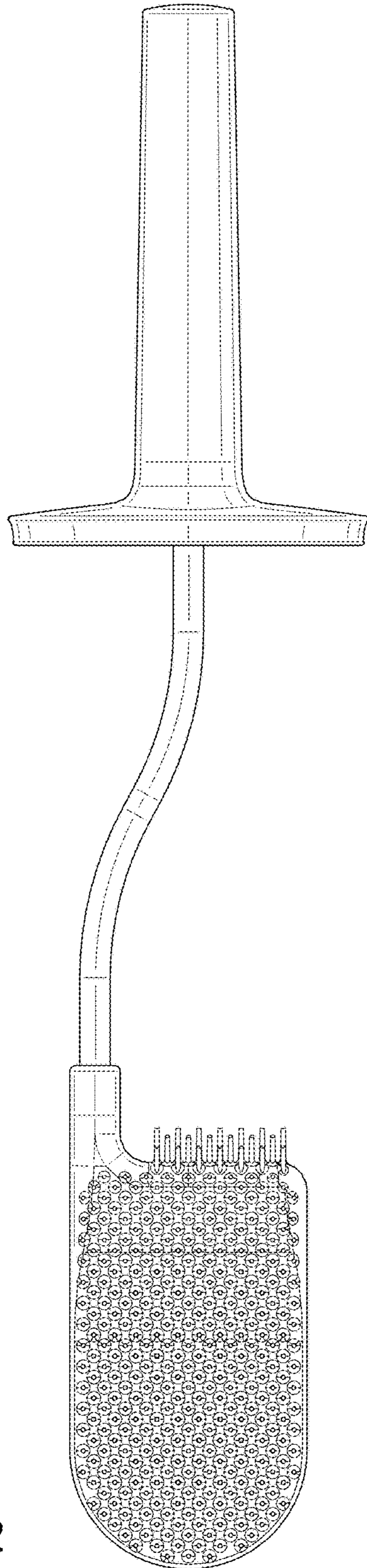


FIG. 2

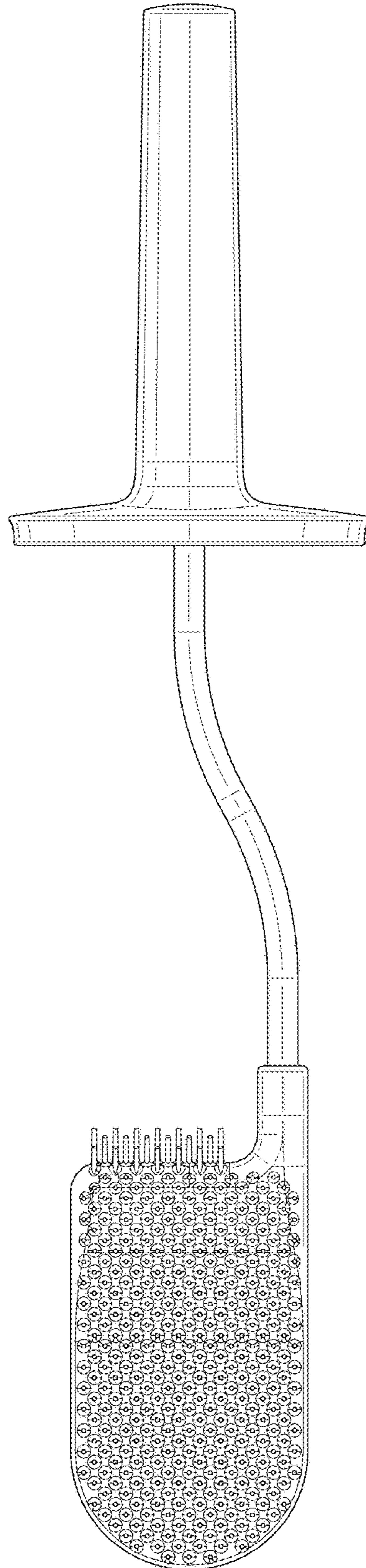


FIG. 3

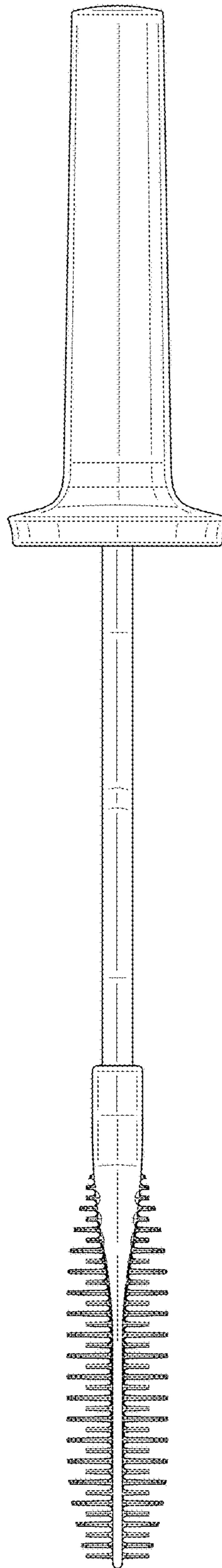


FIG. 4

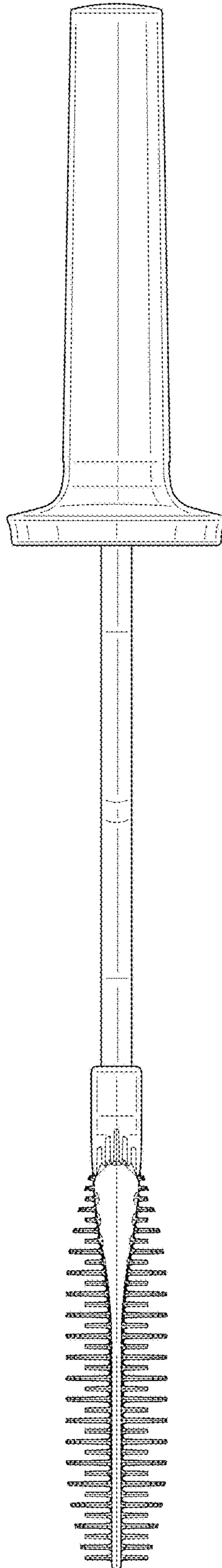


FIG. 5

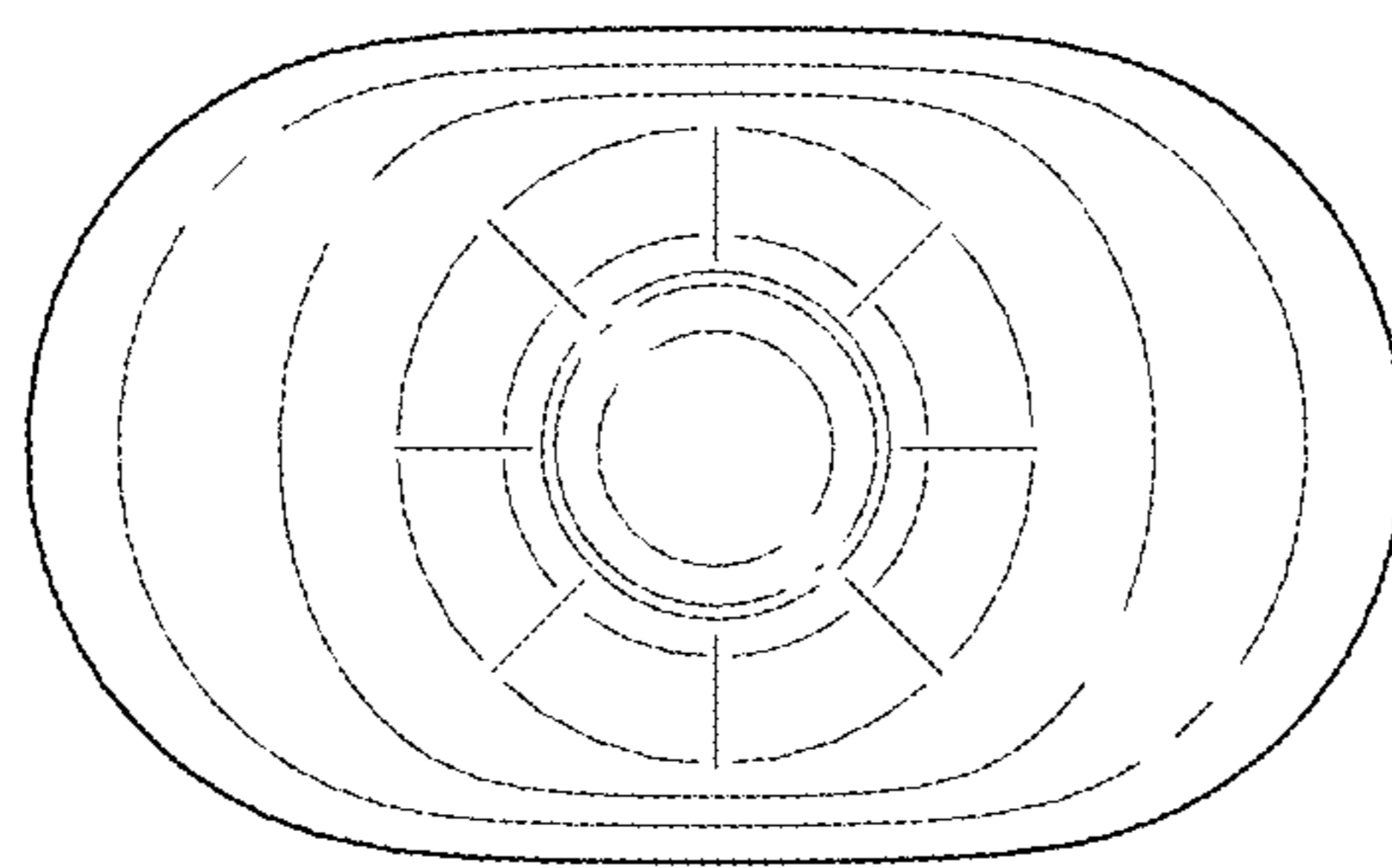


FIG. 6



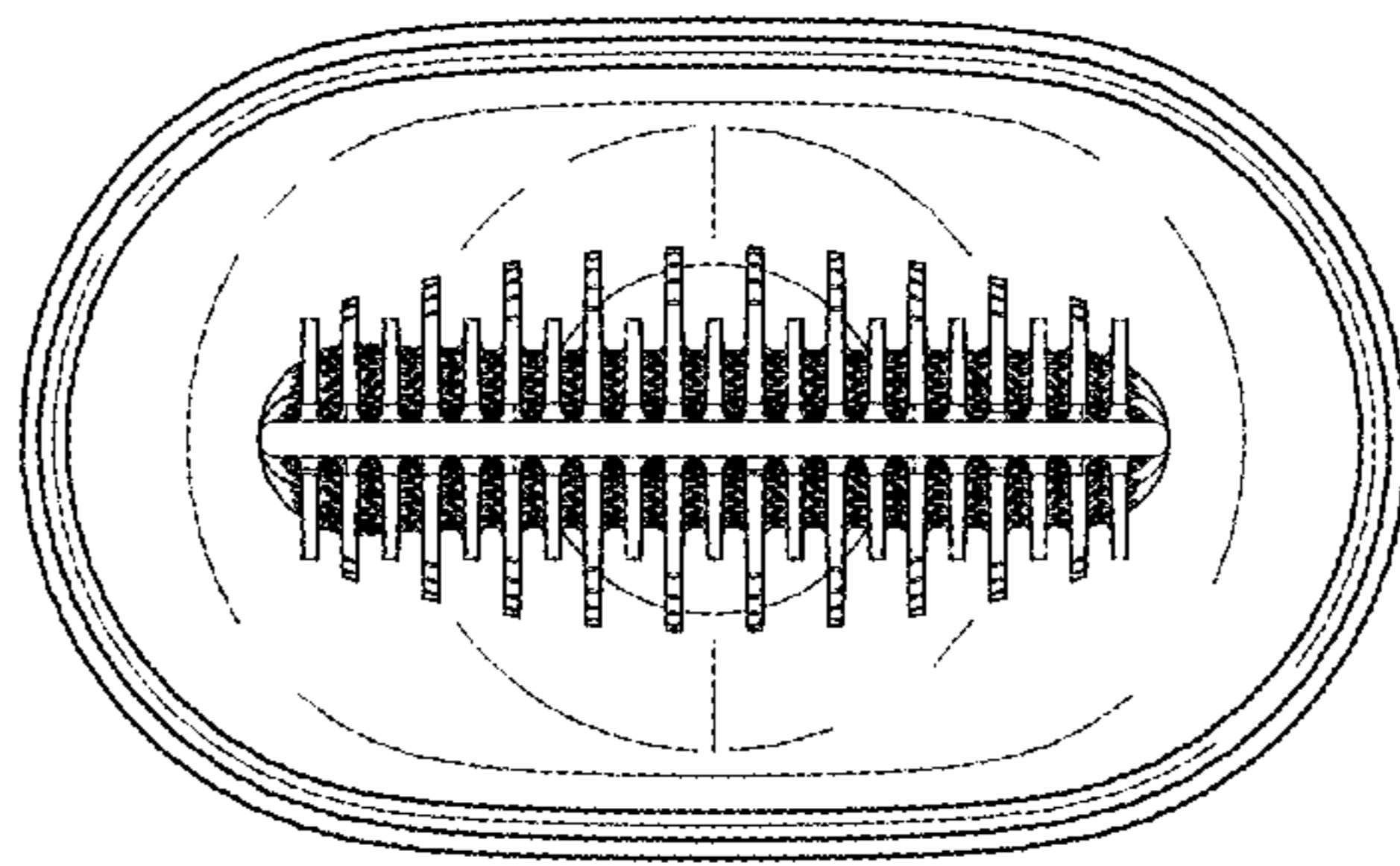


FIG. 7