

US00D832589S

(12) **United States Design Patent**  
**Zemel et al.**

(10) **Patent No.:** **US D832,589 S**  
(45) **Date of Patent:** **\*\* Nov. 6, 2018**

(54) **GRILL BRUSH**

FOREIGN PATENT DOCUMENTS

(71) Applicant: **Mr. Bar-B-Q Products LLC**, Melville, NY (US)

JP 10113229 5/1998

(72) Inventors: **Marc Zemel**, Melville, NY (US);  
**Adam Schillen**, Dix Hills, NY (US)

OTHER PUBLICATIONS

(73) Assignee: **MR. BAR-B-Q PRODUCTS LLC**, Melville, NY (US)

Brushtech Double Helix Bristle Free BBQ Brush, [on-line]; [date first available on the Internet at Amazon.com Apr. 15, 2014]; [retrieved from the Internet on Jul. 26, 2017]; URL: <https://www.amazon.com/Brushtech-Double-Helix-Bristle-21-Inch/dp/B00JPIHNOE?th=1>. (2 pages).

(\*\*) Term: **15 Years**

(Continued)

(21) Appl. No.: **29/606,444**

(22) Filed: **Jun. 5, 2017**

(51) **LOC (11) Cl.** ..... **04-01**

(52) **U.S. Cl.**  
USPC ..... **D4/119; D4/118**

(58) **Field of Classification Search**  
USPC ..... D4/131, 132; D32/40, 42, 46, 49;  
D8/300

CPC ..... A45D 24/14; A45D 24/16; A46B 3/005;  
A46B 5/00; A46B 5/02; A46B 5/021;  
A46B 9/02; A46B 9/021; A46B 9/023;  
A46B 13/001; A46B 13/008; A46B  
15/0055; A46B 15/0081; A46B 15/0087;  
A46B 17/02; A46B 2200/30; A46B  
2200/104; A46B 2200/106; A46B  
2200/202; A46B 2200/205; A46B  
2200/207; A46B 2200/304; A46B  
2200/1006; A46B 2200/1046; A46B  
2200/1053; A46B 2200/3006; A46B  
2200/3033; A46B 2200/3093; E01H 1/12;  
E01H 1/105

See application file for complete search history.

(56) **References Cited**

U.S. PATENT DOCUMENTS

201,688 A 3/1878 Leiner  
1,501,547 A 7/1924 Bassett  
1,587,024 A 6/1926 Murphy

(Continued)

Primary Examiner — Keli L Hill

Assistant Examiner — Karra S Johnson

(74) *Attorney, Agent, or Firm* — Carter, Deluca, Farrell & Schmidt, LLP

(57) **CLAIM**

The ornamental design for a grill brush, as shown and described.

**DESCRIPTION**

FIG. 1 is a perspective view of a grill brush in accordance with the present design;

FIG. 2 is a left side elevational view thereof;

FIG. 3 is a right side elevational view thereof;

FIG. 4 is a front elevational view thereof;

FIG. 5 is an enlarged front elevational view of FIG. 4 thereof;

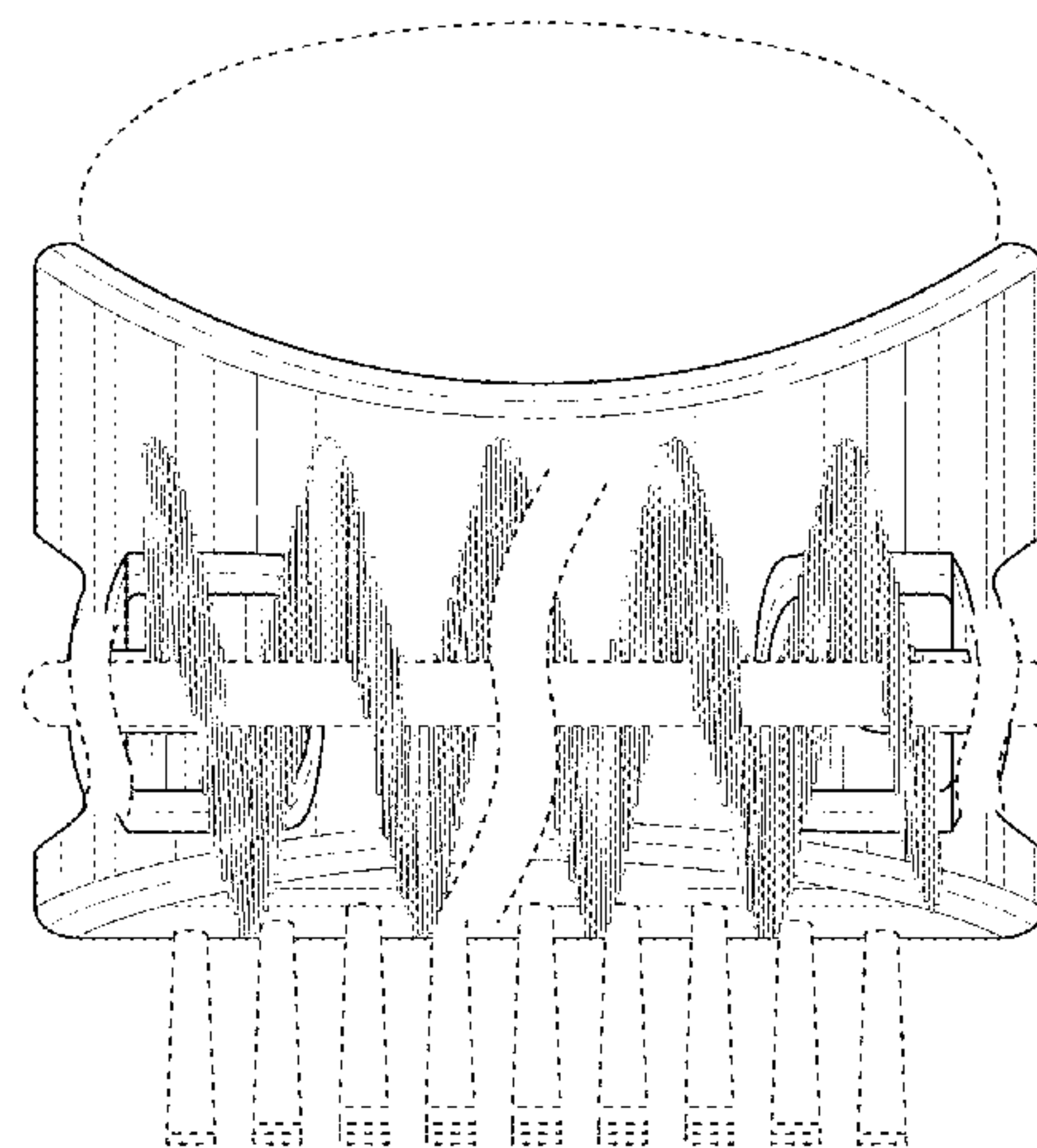
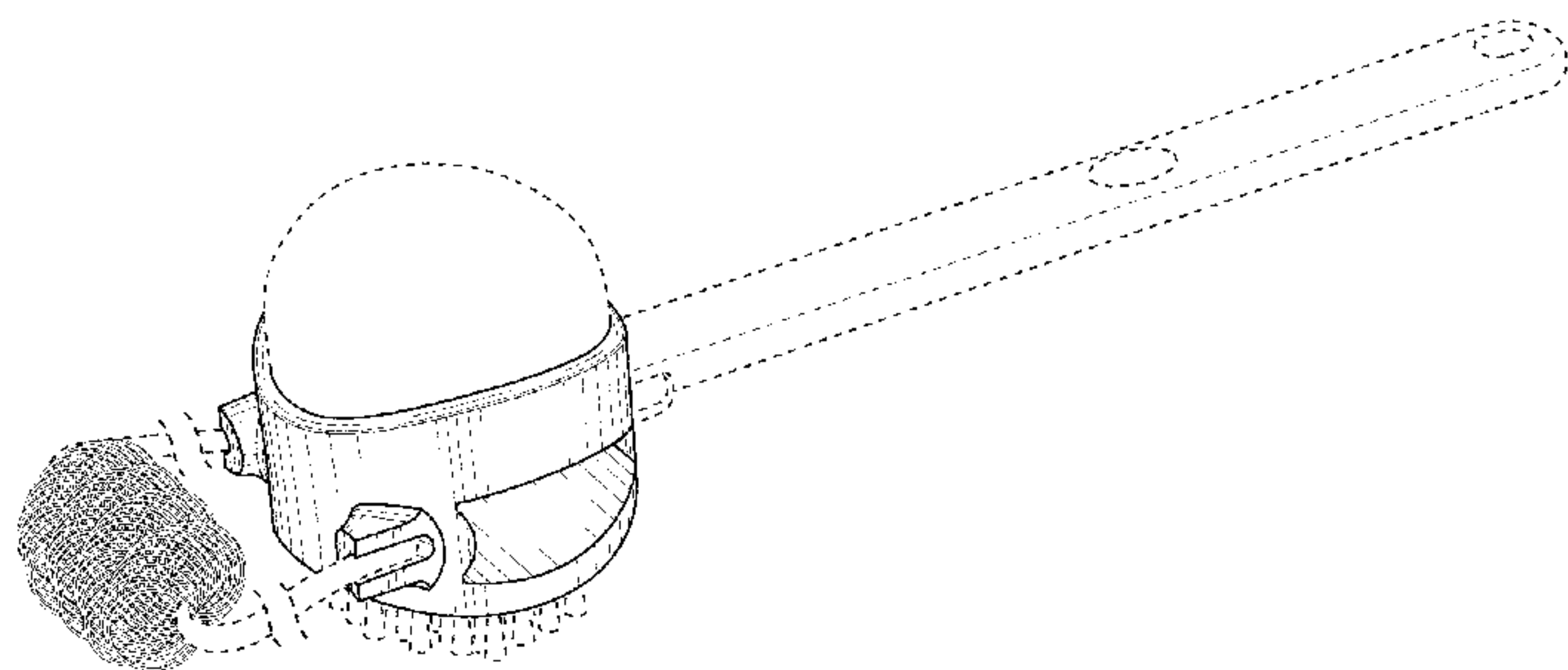
FIG. 6 is a rear elevational view thereof;

FIG. 7 is a top plan view thereof; and,

FIG. 8 is a bottom plan view thereof.

The unclaimed rod feature and the claimed coil features are shown with symbolic breaks in their length in the FIGS. 1-5 and 7-8 drawing views. It is understood that patentability is based only on those portions of the article that are shown in solid lines, and the appearance of any portion of the article between the break lines forms no part of the claimed design.

**1 Claim, 4 Drawing Sheets**



(56)

References Cited

U.S. PATENT DOCUMENTS

1,635,970 A	7/1927	Cave	6,443,646 B1	9/2002	MacDonald
D104,029 S	4/1937	Gray	D463,952 S	10/2002	Zemel
2,116,864 A	5/1938	Fehrenbach	D465,336 S	11/2002	Zemel
2,167,196 A	7/1939	Bothum	D466,307 S	12/2002	Cantrell
2,186,832 A	1/1940	Hertzberg	6,499,174 B2	12/2002	Henrie
D136,599 S *	11/1943	Yoshikawa ..... 15/160	D468,107 S	1/2003	Shen
D138,896 S	9/1944	Edmonds	D471,365 S	3/2003	Henrie
D146,729 S	4/1947	Storm	D474,644 S	5/2003	Zemel
D160,736 S	10/1950	Racicot	D476,525 S	7/2003	Zemel
2,577,373 A *	12/1951	Smith ..... A01G 9/12 47/47	D481,906 S	11/2003	Knor
2,891,360 A	6/1959	Duffie	D482,566 S	11/2003	Zemel
D189,235 S	11/1960	Racina	D482,569 S	11/2003	Zemel
3,629,895 A	12/1971	Colgan	D487,638 S	3/2004	Libman et al.
D223,314 S	4/1972	Goldfeder	D491,413 S	6/2004	Rosenthal
D234,789 S *	4/1975	Rosenberg ..... 446/397	D492,543 S	7/2004	Munari
D236,071 S	7/1975	Zemke	D494,006 S	8/2004	Zemel
4,056,863 A	11/1977	Gunjian	D494,807 S	8/2004	Zemel
D247,075 S	1/1978	Krusche	D496,558 S	9/2004	Zemel
4,091,579 A	5/1978	Giangiulio	D502,001 S	2/2005	Hay
D250,229 S *	11/1978	Werner ..... D28/63	D502,323 S	3/2005	Zemel
4,146,943 A	4/1979	Wertheimer et al.	D503,071 S	3/2005	Lu
4,167,796 A	9/1979	De Pamphilis	D522,247 S	6/2006	Moore
4,730,949 A	3/1988	Wilson	D528,857 S	9/2006	Zemel
4,819,291 A	4/1989	Gunjian	D529,333 S	10/2006	Zemel
D331,499 S *	12/1992	Tsai ..... D4/115	D529,335 S	10/2006	Zemel
D341,445 S *	11/1993	Morrison ..... D24/119	D531,853 S	11/2006	Zemel
D344,634 S	3/1994	Berti	D532,205 S *	11/2006	Huller ..... D4/134
D345,653 S	4/1994	Joyner et al.	D532,609 S	11/2006	Zemel
D346,698 S	5/1994	Hinnant	D533,397 S	12/2006	Zemel
D349,193 S	8/1994	Sloan et al.	D534,001 S	12/2006	Zemel
D351,285 S *	10/1994	Joyner ..... D28/63	D535,147 S	1/2007	Zemel
D355,529 S	2/1995	Tsai	D535,519 S	1/2007	Zemel
D358,491 S	5/1995	Hoagland	D540,543 S	4/2007	Hay
D360,763 S	8/1995	Camp, Jr. et al.	D544,213 S	6/2007	Dow et al.
D362,793 S	10/1995	Khan et al.	D544,714 S	6/2007	Zemel
D362,937 S	10/1995	Camp, Jr. et al.	D544,750 S	6/2007	Zemel
5,471,700 A	12/1995	Pereira	D545,120 S	6/2007	Zemel
5,479,673 A	1/1996	Carton	D545,121 S	6/2007	Zemel
D366,962 S	2/1996	Whitaker	D547,553 S	7/2007	Borovicka et al.
D369,472 S	5/1996	Laubach, III et al.	D550,504 S	9/2007	Zemel
D373,251 S	9/1996	Young	D562,062 S	2/2008	Zemel
D374,557 S	10/1996	Whitaker	D562,064 S	2/2008	Zemel
D381,483 S	7/1997	Hartman	D562,563 S	2/2008	Zemel
D381,771 S *	7/1997	Chern ..... D28/63	D563,675 S	3/2008	Zemel
D392,104 S	3/1998	Berti	D563,677 S	3/2008	Zemel
D400,328 S	10/1998	Zemel	D564,292 S	3/2008	Zemel
D403,165 S	12/1998	Ferrante et al.	D566,460 S	4/2008	Zemel
D411,368 S	6/1999	Liu	D569,174 S	5/2008	Zemel
D417,121 S	11/1999	Brunianyn	D572,079 S	7/2008	Zemel
D417,550 S	12/1999	Lu	D572,080 S	7/2008	Zemel
6,023,810 A	2/2000	Gessert	D574,184 S	8/2008	Zemel
D422,792 S	4/2000	Liu	D578,826 S	10/2008	Lu
6,047,432 A *	4/2000	Sode ..... A46B 9/02 15/160	D579,269 S	10/2008	Zemel
D425,380 S *	5/2000	Gartz ..... D7/690	7,441,941 B2 *	10/2008	Vernon ..... A47J 43/10 366/130
D427,025 S	6/2000	Lee	D579,668 S	11/2008	Zemel
D427,858 S	7/2000	Zemel	D580,659 S	11/2008	Zemel
D429,889 S	8/2000	Fielding	D584,514 S	1/2009	Dale et al.
D431,753 S	10/2000	Cohen et al.	D588,868 S	3/2009	Zemel
D431,960 S	10/2000	Hay	D589,705 S	4/2009	Zemel
D437,691 S	2/2001	Weiss	D590,600 S	4/2009	Dow et al.
6,216,306 B1	4/2001	Esterson et al.	D597,740 S	8/2009	Borovicka et al.
D442,026 S	5/2001	Rae	D601,345 S	10/2009	Wales
D445,257 S	7/2001	Hay	D601,346 S	10/2009	Wales
D445,654 S	7/2001	Yu	D601,347 S	10/2009	Wales
D448,973 S	10/2001	Hay et al.	D601,350 S	10/2009	Wales
D451,288 S *	12/2001	Bean ..... D4/121	D601,808 S	10/2009	Wales
D454,003 S	3/2002	Saxon	7,632,033 B2	12/2009	Wales
D455,272 S	4/2002	Zemel	D616,204 S	5/2010	Zemel
D456,207 S	4/2002	Zemel	D618,499 S	6/2010	Zemel
D456,614 S	5/2002	Zemel	D622,542 S	8/2010	Zemel
D456,615 S	5/2002	Zemel	D629,650 S	12/2010	Funke, Jr. et al.
D456,667 S	5/2002	Veltri et al.	D631,289 S	1/2011	Tuli
6,438,784 B1	8/2002	Yu	D632,088 S	2/2011	Zemel
			7,909,526 B2	3/2011	Wales
			D647,366 S *	10/2011	Enghard ..... D7/376
			8,032,974 B2	10/2011	Carpenter
			D650,590 S	12/2011	Carlson et al.
			D652,629 S	1/2012	Zemel



(56)

References Cited

U.S. PATENT DOCUMENTS

D653,036 S 1/2012 Fifer  
 D654,272 S 2/2012 Zemel  
 D655,093 S 3/2012 Raven  
 D655,511 S 3/2012 Zemel  
 8,146,284 B2 4/2012 Smith  
 D658,433 S 5/2012 Zemel  
 D658,894 S 5/2012 Zemel  
 D658,937 S 5/2012 Zemel  
 D660,141 S 5/2012 Zemel  
 D661,906 S 6/2012 Zemel  
 D663,125 S 7/2012 Zemel  
 D663,159 S 7/2012 Zemel  
 D663,531 S 7/2012 Zemel  
 D664,363 S 7/2012 Rothman  
 D665,178 S 8/2012 Zemel  
 D690,115 S 9/2013 Zemel et al.  
 D690,116 S 9/2013 Zemel et al.  
 D690,153 S 9/2013 Zemel  
 D690,943 S 10/2013 Pelo  
 D691,379 S 10/2013 Gunjian  
 D695,019 S 12/2013 Zemel et al.  
 8,615,838 B1 12/2013 Lu  
 D699,037 S 2/2014 Morrison  
 D699,949 S 2/2014 Zemel et al.  
 D701,389 S 3/2014 Gunjian  
 D702,996 S 4/2014 Zemel et al.  
 8,713,739 B1 5/2014 Alas et al.  
 D720,933 S 1/2015 Albers  
 9,101,205 B2 8/2015 Gunjian  
 D737,626 S 9/2015 Lu  
 D748,399 S 2/2016 Lu  
 D753,403 S 4/2016 Zemel et al.  
 D756,660 S 5/2016 Zemel et al.  
 9,357,832 B2 6/2016 Gonzalez et al.  
 D763,581 S 8/2016 Zemel et al.  
 D773,242 S 12/2016 Zemel et al.  
 D778,107 S 2/2017 Keating  
 D784,073 S 4/2017 Keating  
 D789,095 S \* 6/2017 Wales ..... D4/131  
 2003/0070246 A1 4/2003 Cavalheiro  
 2005/0011029 A1 1/2005 Yu  
 2009/0031519 A1 2/2009 Carpenter  
 2009/0188061 A1 7/2009 Cybulski et al.

2012/0079667 A1 4/2012 Ashner, II  
 2012/0198639 A1 8/2012 Smith  
 2014/0250617 A1 9/2014 Gunjian  
 2015/0327659 A1 11/2015 Gunjian  
 2017/0055689 A1 3/2017 Gunjian  
 2017/0055690 A1\* 3/2017 Cheng ..... A46B 5/0004

OTHER PUBLICATIONS

Brushtech—Double Helix Grill Brush, [on-line video]; [published to the Internet by the Grommet on Jun. 26, 2015]; [retrieved from the Internet on Jul. 26, 2017]; URL: <https://www.youtube.com/watch?v=5j7R9U11pEE>. (3 pages).  
 Grill Brush Best 3 Sided Grill Brush . . . , [on-line video]; [published to the Internet by Top Dot Product on Jul. 1, 2015]; [retrieved from the Internet on Jul. 26, 2017]; URL: <https://www.youtube.com/watch?v=5j7R9U11pEE>. (3 pages).  
 Double-Helix Bristle-Free Coil Grill Brush, [on-line]; [unknown Internet publication date]; [retrieved from the Internet on Jul. 26, 2017]; URL: (1 page).  
 KitchenAid, Triple Action Grill Cleaning Brush, posted at The Home Depot [online], posting date not available [site visited Mar. 18, 2016]. Available from the Internet, <URL: <http://www.homedepot.com/p/KitchenAid-Triple-Action-Grill-Cleaning-Brush--530-0057/206409957>>.  
 Mr. Bar-B-Q, 06440X Deluxe Triple Action Grill Brush, posted at Amazon [online], posting date not available [site visited Mar. 18, 2016]. Available from the Internet, <URL: <http://www.amazon.com/dp/B009UWL0MC/ref=asc.sub.-df.5ub.-B009UWL0MC4208-610smid=ATVPDKIKX0DER&tag=merbethomgarbhg-20&linkCode=df0&creative=395093-&creativeASIN=B009UWL0MC&ascsubtag=4004009>>.  
 Grill Zone, Barbecue Brush & Scrubber, Long Handle, posted at TrueValue.com [online], posting date not available [site visited Mar. 18, 2016]. Available from the Internet, <URL: <http://www.truevalue.com/product/Barbecue-Brush-Scrubber-Long-Handle/6171-1.uts>>.  
 America's Best Barbecue Grill Pro Abrasive Scrubbing Brush—Item # 71448, [online]. America's Best Barbecue, Inc., 2006 [retrieved on May 31, 2013] Retrieved using Internet Archive: [http://archive.org/web/20060615000000\\*/http://www.americasbestbbq.com](http://archive.org/web/20060615000000*/http://www.americasbestbbq.com).  
 Zemel et al., Design U.S. Appl. No. 29/606,443, filed Jun. 5, 2017.  
 Zemel et al., Design U.S. Appl. No. 29/606,441, filed Jun. 5, 2017.

\* cited by examiner

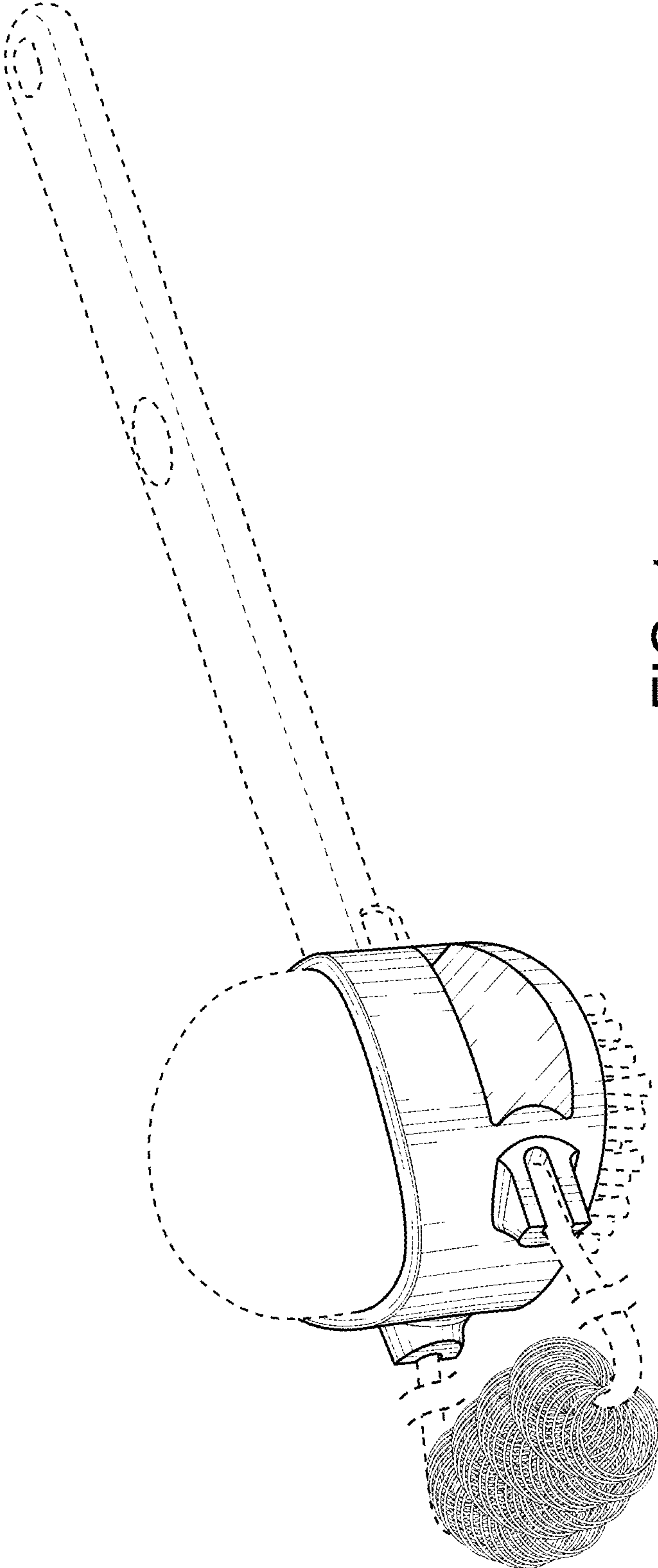


FIG. 1

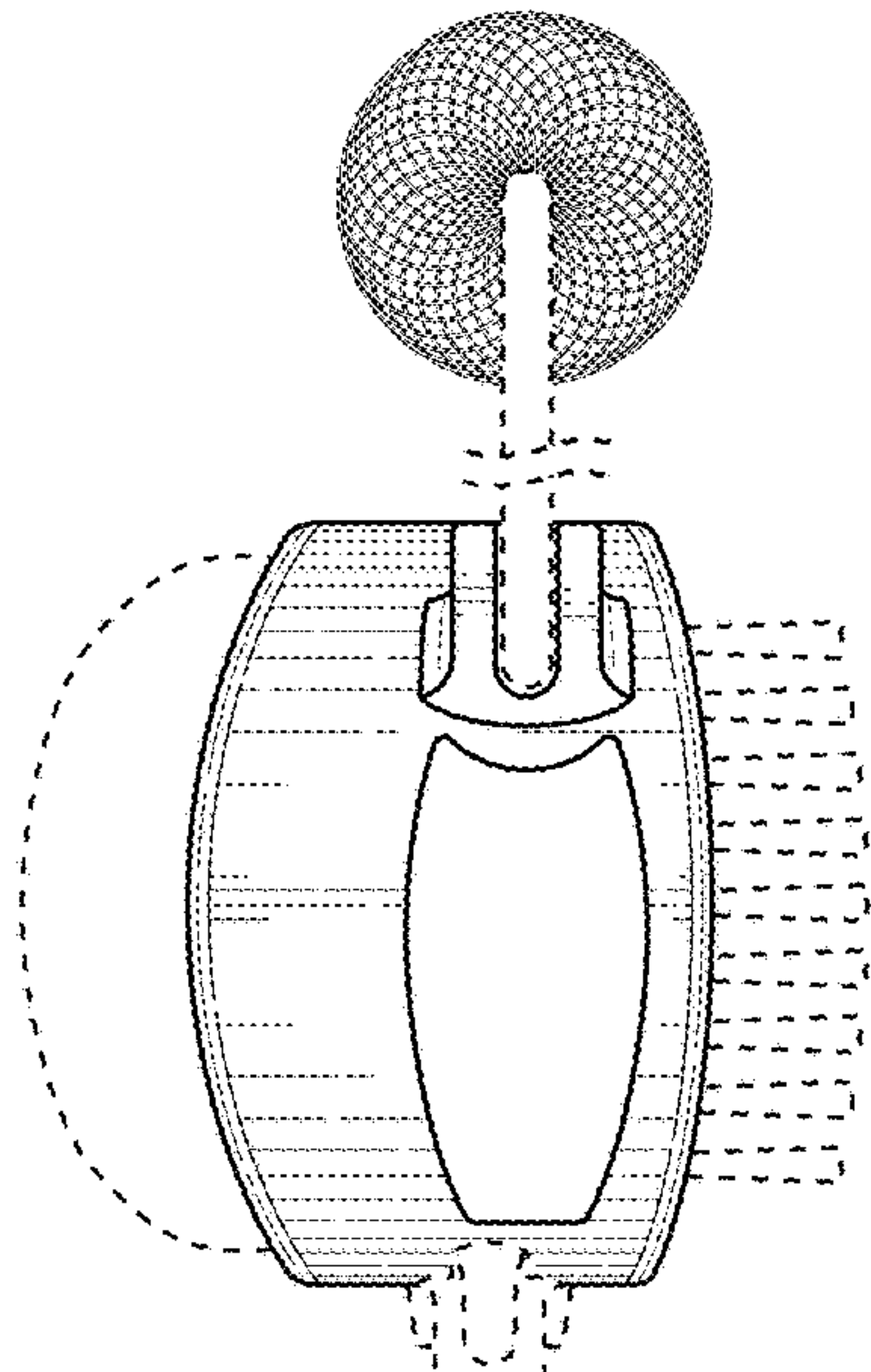


FIG. 2

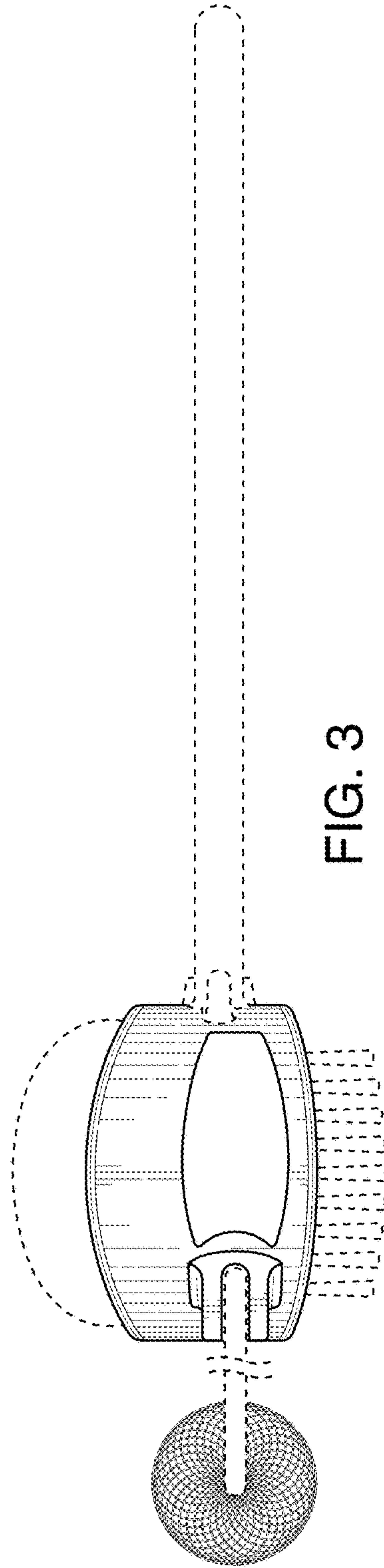


FIG. 3



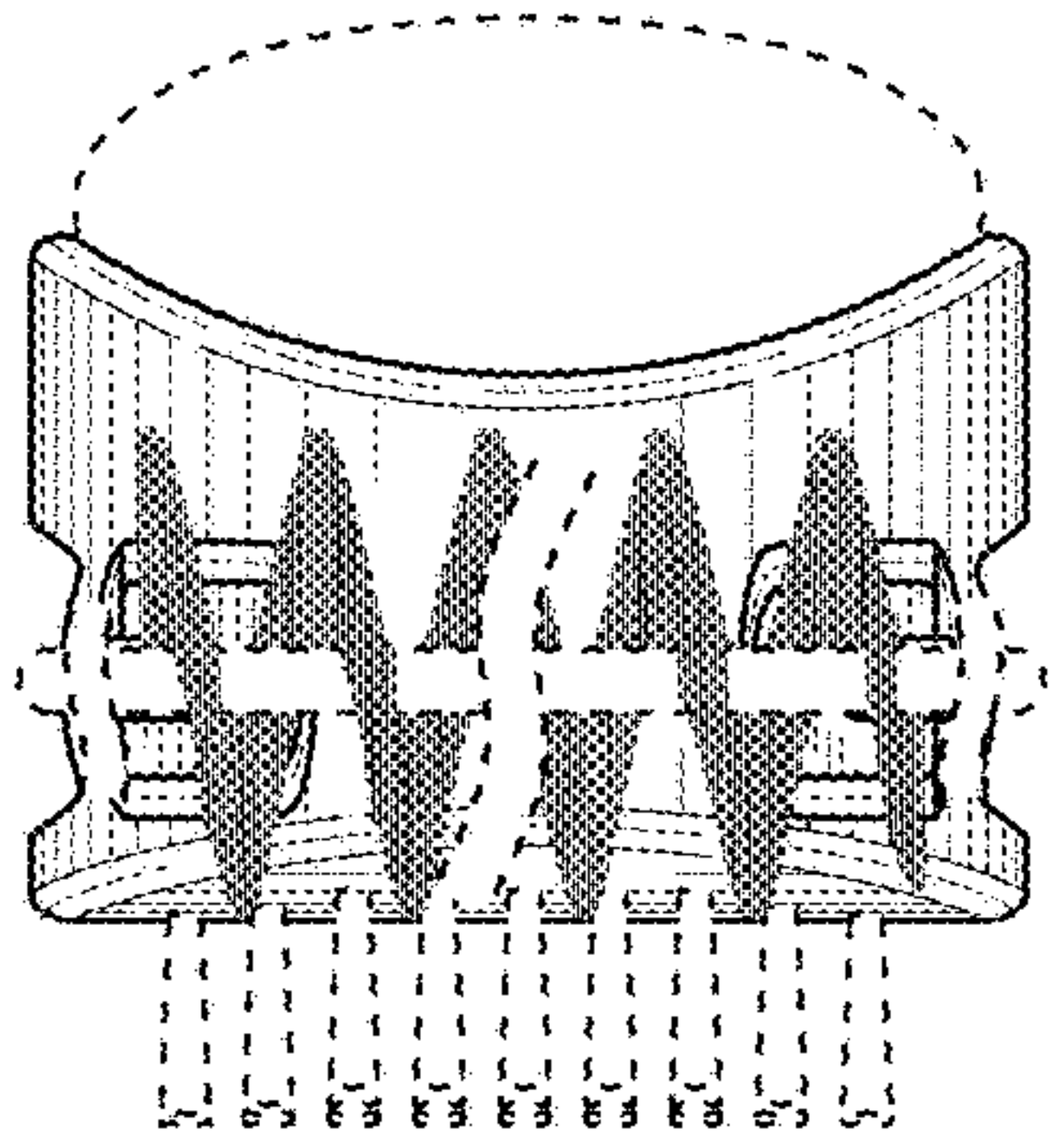


FIG. 4

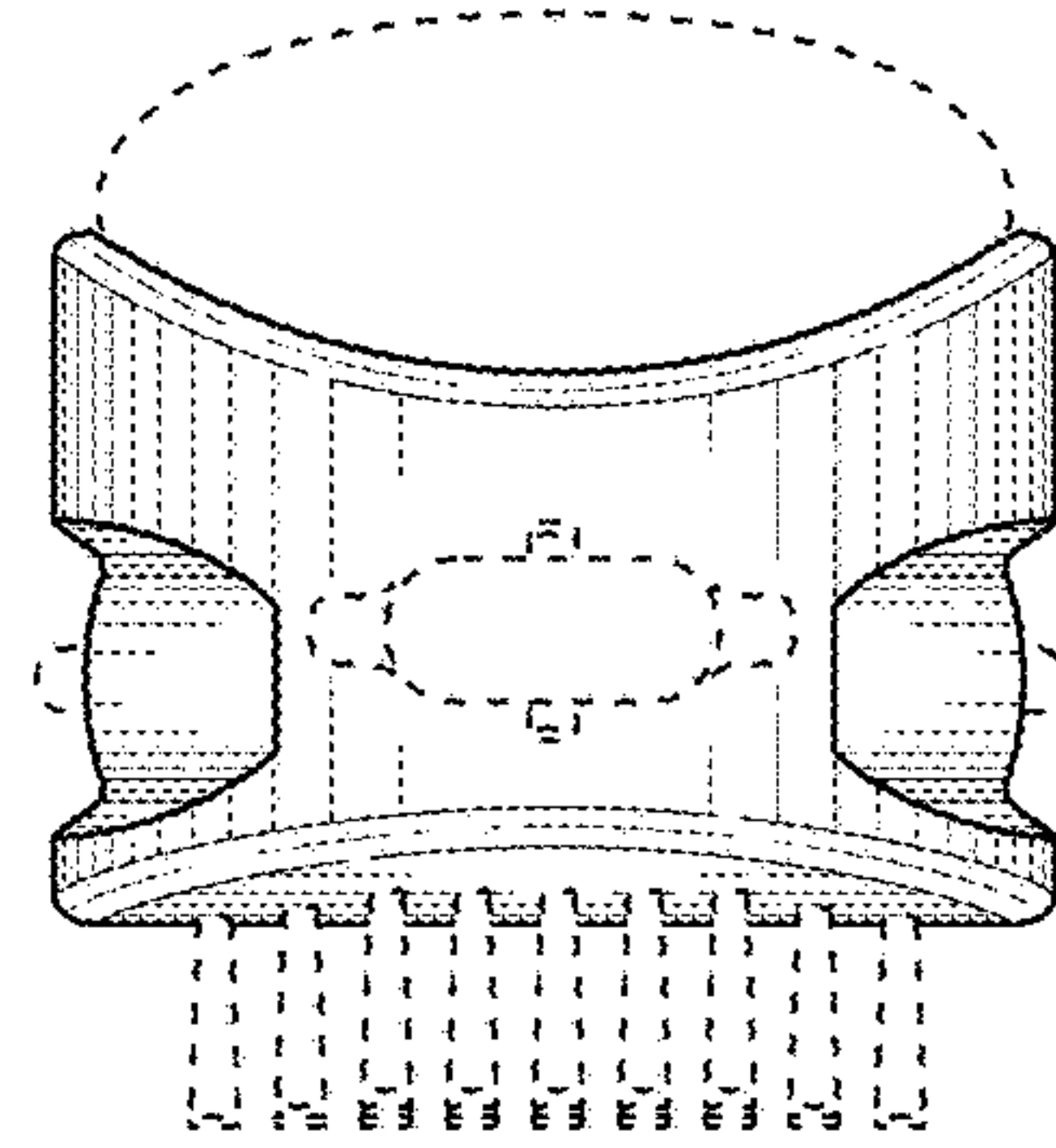


FIG. 6

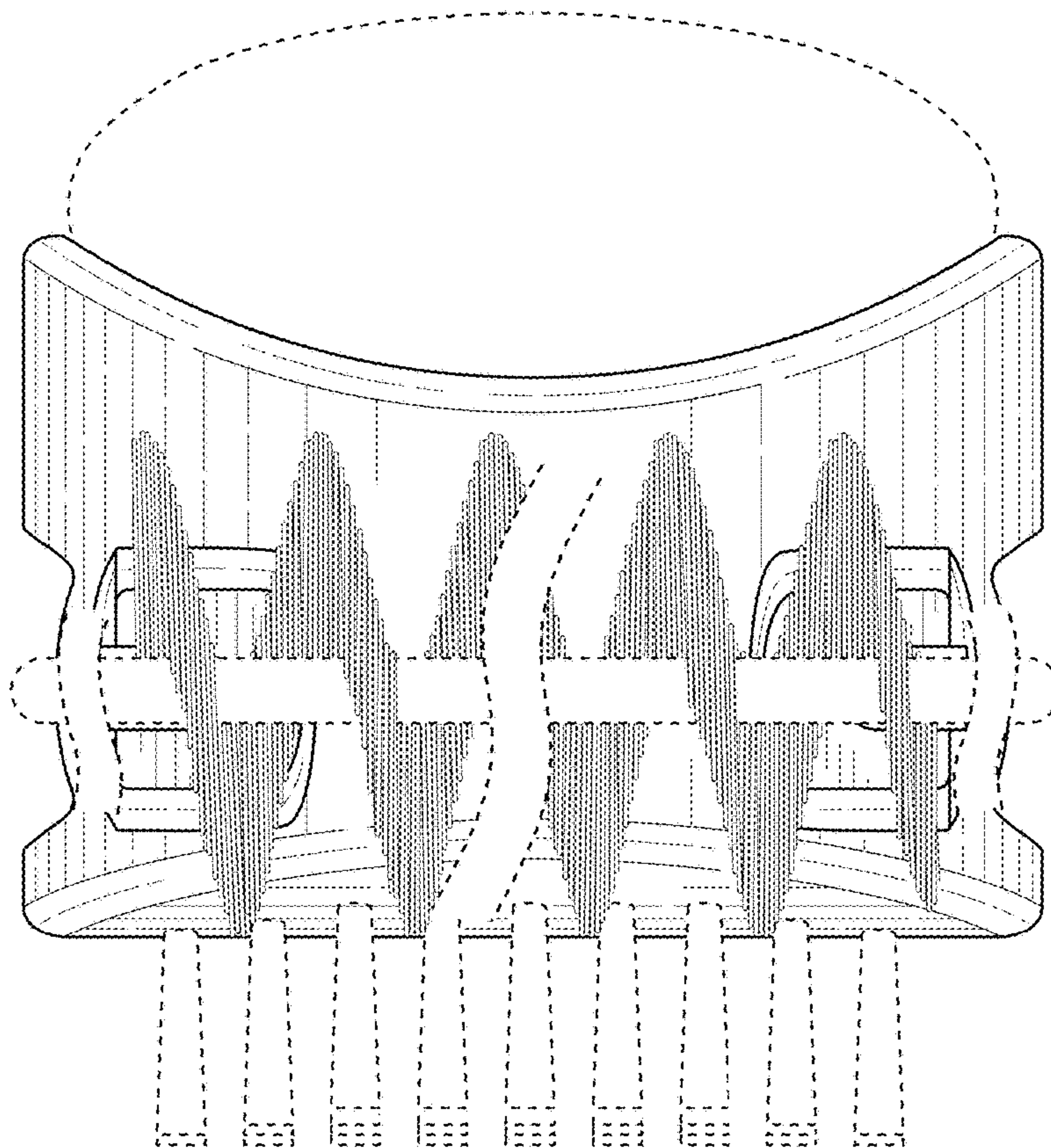


FIG. 5

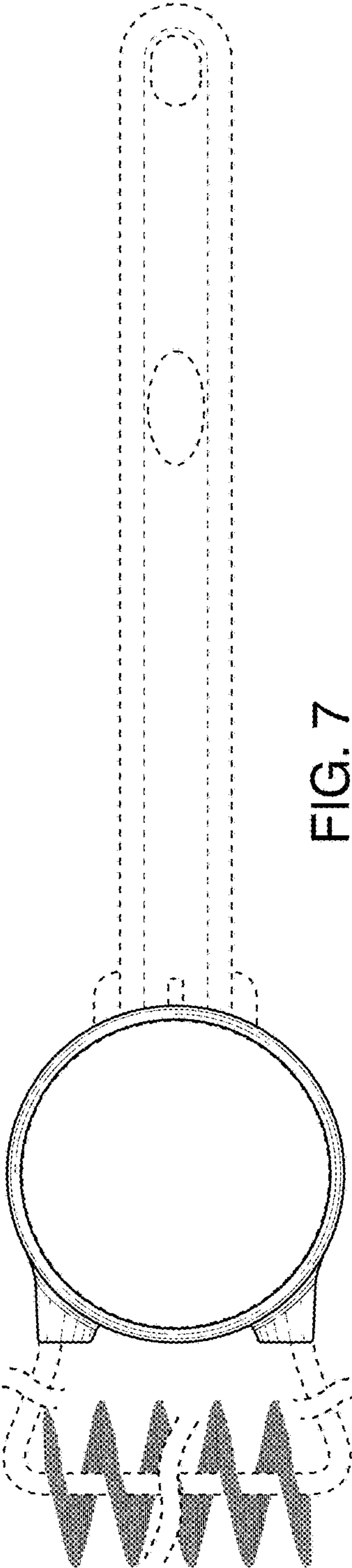


FIG. 7

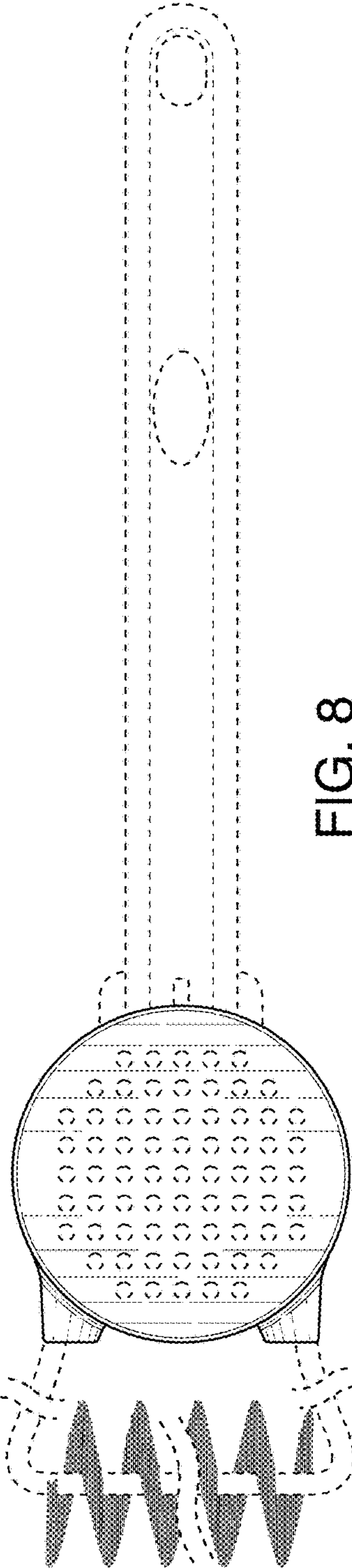


FIG. 8