



US00D832588S

(12) **United States Design Patent** (10) **Patent No.:** **US D832,588 S**
Zemel et al. (45) **Date of Patent:** **** Nov. 6, 2018**

(54) **GRILL BRUSH**

FOREIGN PATENT DOCUMENTS

(71) Applicant: **Mr. Bar-B-Q Products LLC**, Melville, NY (US)

JP 10113229 5/1998

(72) Inventors: **Marc Zemel**, Melville, NY (US);
Adam Schillen, Dix Hills, NY (US)

OTHER PUBLICATIONS

(73) Assignee: **MR. BAR-B-Q PRODUCTS LLC**, Melville, NY (US)

Brushtech Double Helix Bristle Free BBQ Brush, [on-line]; [date first available on the Internet at Amazon.com Apr. 15, 2014];[retrieved from the Internet on Jul. 26, 2017]; URL: <https://www.amazon.com/Brushtech-Double-Helix-Bristle-21-Inch/dp/B00JPIHNOE?th=1>. (2 pages).

(**) Term: **15 Years**

(Continued)

(21) Appl. No.: **29/606,441**

Primary Examiner — Keli L Hill

(22) Filed: **Jun. 5, 2017**

Assistant Examiner — Karra S Johnson

(51) **LOC (11) Cl.** **04-01**

(74) *Attorney, Agent, or Firm* — Carter, DeLuca, Farrell & Schmidt, LLP

(52) **U.S. Cl.**

(57) **CLAIM**

USPC **D4/119**; D4/118

The ornamental design for a grill brush, as shown and described.

(58) **Field of Classification Search**

DESCRIPTION

USPC D4/131, 132; D32/40, 42, 46, 49; D8/300

CPC A45D 24/14; A45D 24/16; A46B 3/005; A46B 5/00; A46B 5/02; A46B 5/021; A46B 9/02; A46B 9/021; A46B 9/023; A46B 13/001; A46B 13/008; A46B 15/0055; A46B 15/0081; A46B 15/0087; A46B 17/02; A46B 2200/30; A46B 2200/104; A46B 2200/106; A46B 2200/202; A46B 2200/205; A46B 2200/207; A46B 2200/304; A46B 2200/1006; A46B 2200/1046; A46B 2200/1053; A46B

FIG. 1 is a perspective view of a grill brush in accordance with the present design;

FIG. 2 is a left side elevational view thereof;

FIG. 3 is a right side elevational view thereof;

FIG. 4 is a front elevational view thereof;

FIG. 5 is an enlarged front elevational view of FIG. 4 thereof;

FIG. 6 is a rear elevational view thereof;

FIG. 7 is a top plan view thereof; and,

FIG. 8 is a bottom plan view thereof.

The unclaimed rod feature and the claimed coil features are shown with symbolic breaks in their length in the FIGS. 1-5 and 7-8 drawing views. It is understood that patentability is based only on those portions of the article that are shown in solid lines, and the appearance of any portion of the article between the break lines forms no part of the claimed design. The broken lines shown in the drawings illustrate portions of the grill brush that form no part of the claimed design.

(Continued)

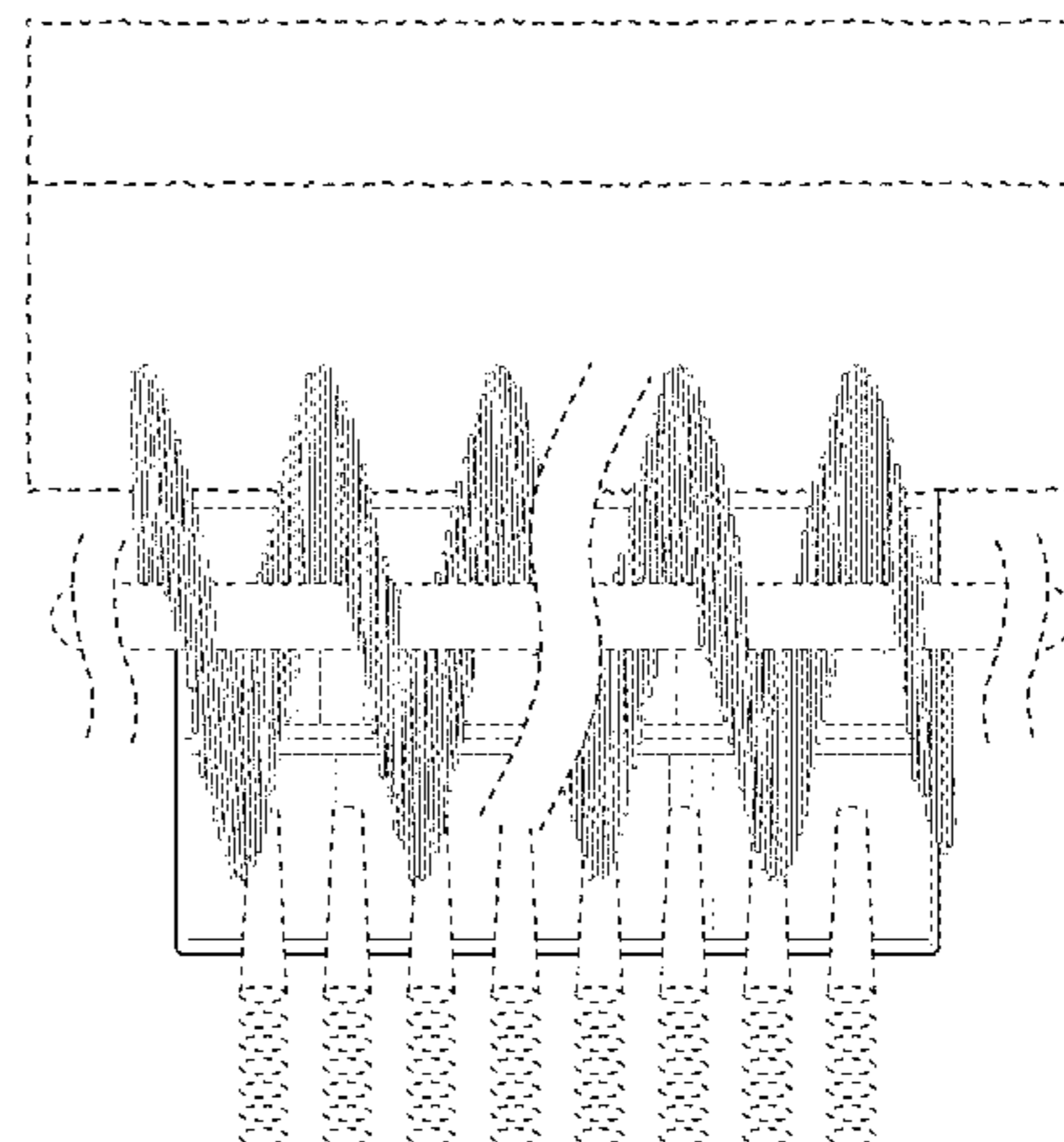
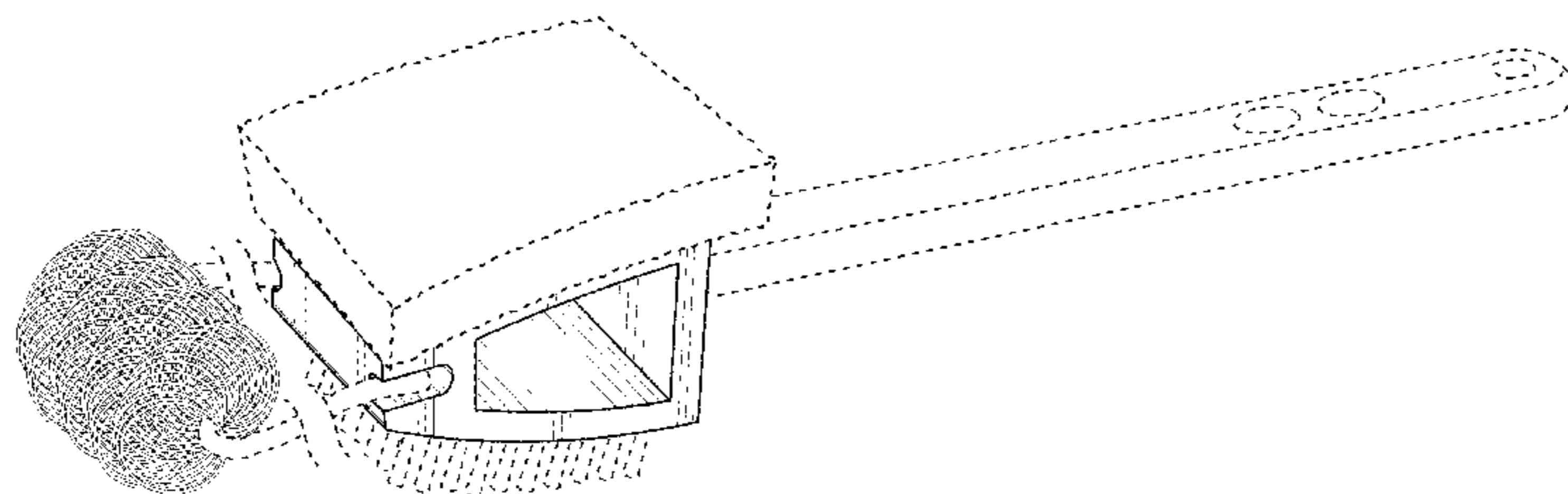
(56) **References Cited**

U.S. PATENT DOCUMENTS

201,688 A 3/1878 Leiner
603,581 A * 5/1898 Urmston A46B 9/005
15/117

(Continued)

1 Claim, 4 Drawing Sheets



(58) **Field of Classification Search**
 CPC 2200/3006; A46B 2200/3033; A46B
 2200/3093; E01H 1/12; E01H 1/105
 See application file for complete search history.

(56) **References Cited**

U.S. PATENT DOCUMENTS

1,501,547 A 7/1924 Bassett
 1,587,024 A 6/1926 Murphy
 1,635,970 A 7/1927 Cave
 D104,029 S 4/1937 Gray
 2,116,864 A 5/1938 Fehrenbach
 2,167,196 A 7/1939 Bothum
 2,186,832 A 1/1940 Hertzberg
 D138,896 S 9/1944 Edmonds
 D146,729 S 4/1947 Storm
 D160,736 S 10/1950 Racicot
 2,577,373 A * 12/1951 Smith A01G 9/12
 47/47
 2,891,360 A 6/1959 Duffie
 D189,235 S 11/1960 Racina
 3,629,895 A 12/1971 Colgan
 D223,314 S 4/1972 Goldfeder
 D234,789 S * 4/1975 Rosenberg 446/397
 D236,071 S 7/1975 Zemke
 4,056,863 A 11/1977 Gunjian
 D247,075 S 1/1978 Krusche
 4,091,579 A 5/1978 Giangiulio
 4,146,943 A 4/1979 Wertheimer et al.
 4,167,796 A 9/1979 De Pamphilis
 D267,825 S * 2/1983 Samuels D32/41
 4,730,949 A 3/1988 Wilson
 4,819,291 A 4/1989 Gunjian
 D344,634 S 3/1994 Berti
 D345,653 S 4/1994 Joyner et al.
 D346,698 S 5/1994 Hinnant
 D349,193 S 8/1994 Sloan et al.
 D355,529 S 2/1995 Tsai
 D358,491 S 5/1995 Hoagland
 D360,763 S 8/1995 Camp, Jr. et al.
 D362,793 S 10/1995 Khan et al.
 D362,937 S 10/1995 Camp, Jr. et al.
 5,471,700 A 12/1995 Pereira
 5,479,673 A 1/1996 Carton
 D366,962 S 2/1996 Whitaker
 D369,472 S 5/1996 Laubach, III et al.
 D373,251 S 9/1996 Young
 D374,557 S 10/1996 Whitaker
 D378,324 S * 3/1997 Tennant D4/138
 D381,483 S 7/1997 Hartman
 D392,104 S 3/1998 Berti
 D400,328 S 10/1998 Zemel
 D403,165 S 12/1998 Ferrante et al.
 D411,368 S 6/1999 Liu
 D417,121 S 11/1999 Brunianyn
 D417,550 S 12/1999 Lu
 6,023,810 A 2/2000 Gessert
 D422,792 S 4/2000 Liu
 6,047,432 A * 4/2000 Sode A46B 9/02
 15/160
 D425,380 S * 5/2000 Gartz D7/690
 D427,025 S 6/2000 Lee
 D427,858 S 7/2000 Zemel
 D429,889 S 8/2000 Fielding
 D431,753 S 10/2000 Cohen et al.
 D431,960 S 10/2000 Hay
 D437,691 S 2/2001 Weiss
 6,216,306 B1 4/2001 Esterson et al.
 D442,026 S 5/2001 Rae
 D445,257 S 7/2001 Hay
 D445,654 S 7/2001 Yu
 D448,973 S 10/2001 Hay et al.
 D454,003 S 3/2002 Saxon
 D455,272 S 4/2002 Zemel
 D456,207 S 4/2002 Zemel
 D456,614 S 5/2002 Zemel

D456,615 S 5/2002 Zemel
 D456,667 S 5/2002 Veltri et al.
 6,438,784 B1 8/2002 Yu
 6,443,646 B1 9/2002 MacDonald
 D463,952 S 10/2002 Zemel
 D465,336 S 11/2002 Zemel
 D466,307 S 12/2002 Cantrell
 6,499,174 B2 12/2002 Henrie
 D468,107 S 1/2003 Shen
 D471,365 S 3/2003 Henrie
 D474,644 S 5/2003 Zemel
 D476,525 S 7/2003 Zemel
 D481,906 S 11/2003 Knor
 D482,566 S 11/2003 Zemel
 D482,569 S 11/2003 Zemel
 D483,952 S * 12/2003 Thompson D4/137
 D487,638 S 3/2004 Libman et al.
 D491,413 S 6/2004 Rosenthal
 D492,543 S 7/2004 Munari
 D494,006 S 8/2004 Zemel
 D494,807 S 8/2004 Zemel
 D496,558 S 9/2004 Zemel
 D502,001 S 2/2005 Hay
 D502,323 S 3/2005 Zemel
 D503,071 S 3/2005 Lu
 D508,299 S * 8/2005 Dunn D30/158
 D522,247 S 6/2006 Moore
 D528,857 S 9/2006 Zemel
 D529,333 S 10/2006 Zemel
 D529,335 S 10/2006 Zemel
 D531,853 S 11/2006 Zemel
 D532,609 S 11/2006 Zemel
 D533,397 S 12/2006 Zemel
 D534,001 S 12/2006 Zemel
 D535,147 S 1/2007 Zemel
 D535,519 S 1/2007 Zemel
 D540,543 S 4/2007 Hay
 D544,213 S 6/2007 Dow et al.
 D544,714 S 6/2007 Zemel
 D544,750 S 6/2007 Zemel
 D545,120 S 6/2007 Zemel
 D545,121 S 6/2007 Zemel
 D547,553 S 7/2007 Borovicka et al.
 D550,504 S 9/2007 Zemel
 D562,062 S 2/2008 Zemel
 D562,064 S 2/2008 Zemel
 D562,563 S 2/2008 Wales
 D563,675 S 3/2008 Zemel
 D563,677 S 3/2008 Zemel
 D564,292 S 3/2008 Zemel
 D566,460 S 4/2008 Zemel
 D569,174 S 5/2008 Zemel
 D572,079 S 7/2008 Zemel
 D572,080 S 7/2008 Zemel
 D574,184 S 8/2008 Zemel
 D578,826 S 10/2008 Lu
 D579,269 S 10/2008 Zemel
 7,441,941 B2 * 10/2008 Vernon A47J 43/10
 366/130
 D579,668 S 11/2008 Zemel
 D580,659 S 11/2008 Zemel
 D584,514 S 1/2009 Dale et al.
 D588,868 S 3/2009 Zemel
 D589,705 S 4/2009 Zemel
 D590,600 S 4/2009 Dow et al.
 D597,740 S 8/2009 Borovicka et al.
 D601,345 S 10/2009 Wales
 D601,346 S 10/2009 Wales
 D601,347 S 10/2009 Wales
 D601,350 S 10/2009 Wales
 D601,808 S 10/2009 Wales
 7,632,033 B2 12/2009 Wales
 D616,204 S 5/2010 Zemel
 D618,499 S 6/2010 Zemel
 D622,542 S 8/2010 Zemel
 D629,650 S 12/2010 Funka, Jr. et al.
 D631,289 S 1/2011 Tuli
 D632,088 S 2/2011 Zemel
 7,909,526 B2 3/2011 Wales

(56)

References Cited

U.S. PATENT DOCUMENTS

D647,366 S * 10/2011 Enghard D7/376
 8,032,974 B2 10/2011 Carpenter
 D650,590 S 12/2011 Carlson et al.
 D652,629 S 1/2012 Zemel
 D653,036 S 1/2012 Fifer
 D654,272 S 2/2012 Zemel
 D655,093 S 3/2012 Raven
 D655,511 S 3/2012 Zemel
 8,146,284 B2 4/2012 Smith
 D658,433 S 5/2012 Zemel
 D658,894 S 5/2012 Zemel
 D658,937 S 5/2012 Zemel
 D660,141 S 5/2012 Zemel
 D661,906 S 6/2012 Zemel
 D663,125 S 7/2012 Zemel
 D663,159 S 7/2012 Zemel
 D663,531 S 7/2012 Zemel
 D664,363 S 7/2012 Rothman
 D665,178 S 8/2012 Zemel
 D690,115 S 9/2013 Zemel et al.
 D690,116 S 9/2013 Zemel et al.
 D690,153 S 9/2013 Zemel
 D690,943 S 10/2013 Pelo
 D691,379 S 10/2013 Gunjian
 D695,019 S 12/2013 Zemel et al.
 8,615,838 B1 12/2013 Lu
 D699,037 S 2/2014 Morrison
 D699,949 S 2/2014 Zemel et al.
 D701,389 S 3/2014 Gunjian
 D702,996 S 4/2014 Zemel et al.
 8,683,641 B2 * 4/2014 Weinberger A47J 43/288
 15/104.001
 8,713,739 B1 5/2014 Alas et al.
 D720,933 S 1/2015 Albers
 9,101,205 B2 8/2015 Gunjian
 D737,626 S 9/2015 Lu
 D748,399 S 2/2016 Lu
 D753,403 S 4/2016 Zemel et al.
 D756,660 S 5/2016 Zemel et al.
 9,357,832 B2 6/2016 Gonzalez et al.
 D763,581 S 8/2016 Zemel et al.
 D773,242 S 12/2016 Zemel et al.
 D778,107 S 2/2017 Keating
 D784,073 S 4/2017 Keating
 D789,095 S * 6/2017 Wales D4/131
 2003/0070246 A1 4/2003 Cavalheiro
 2005/0011029 A1 1/2005 Yu

2009/0031519 A1 2/2009 Carpenter
 2009/0188061 A1 7/2009 Cybulski et al.
 2012/0079667 A1 4/2012 Ashner, II
 2012/0198639 A1 8/2012 Smith
 2014/0250617 A1 9/2014 Gunjian
 2015/0265038 A1 * 9/2015 Spinosa A46B 5/0008
 15/106
 2015/0327659 A1 11/2015 Gunjian
 2017/0055689 A1 3/2017 Gunjian
 2017/0055690 A1 * 3/2017 Cheng A46B 5/0004

OTHER PUBLICATIONS

Brushtech—Double Helix Grill Brush, [on-line video]; [published to the Internet by the Grommet on Jun. 26, 2015]; [retrieved from the Internet on Jul. 26, 2017]; URL: <https://www.youtube.com/watch?v=5j7R9U11pEE>. (3 pages).
 Grill Brush Best 3 Sided Grill Brush . . . , [on-line video]; [published to the Internet by Top Dot Product on Jul. 1, 2015]; [retrieved from the Internet on Jul. 26, 2017]; URL: <https://www.youtube.com/watch?v=5j7R9U11pEE>. (3 pages).
 Double-Helix Bristle-Free Coil Grill Brush, [on-line]; [unknown Internet publication date]; [retrieved from the Internet on Jul. 26, 2017]; URL: (1 page).
 KitchenAid, Triple Action Grill Cleaning Brush, posted at The Home Depot [online], posting date not available [site visited Mar. 18, 2016]. Available from the Internet, <URL: <http://www.homedepot.com/p/KitchenAid-Triple-Action-Grill-Cleaning-Brush--530-0057/206409957>>.
 Mr. Bar-B-Q, 06440X Deluxe Triple Action Grill Brush, posted at Amazon [online], posting date not available [site visited Mar. 18, 2016]. Available from the Internet, <URL: <http://www.amazon.com/dp/B009UWL0MC/ref=asc.sub.--df.sub.-B009UWL0MC4208-610smid=ATVPDKIKX0DER&tag=merbethomgarbhg-20&linkCode=df0&creative=395093-&creativeASIN=B009UWL0MC&ascsubtag=4004009>>.
 Grill Zone, Barbecue Brush & Scrubber, Long Handle, posted at TrueValue.com [online], posting date not available [site visited Mar. 18, 2016]. Available from the Internet, <URL: <http://www.truevalue.com/product/Barbecue-Brush-Scrubber-Long-Handle/6171-1.uts>>.
 America's Best Barbecue Grill Pro Abrasive Scrubbing Brush—Item # 71448, [online]. America's Best Barbecue, Inc., 2006 [retrieved on May 31, 2013] Retrieved using Internet Archive: http://archive.org/web/20060615000000*/http://www.americasbestbbq.com.
 Zemel et al., Design U.S. Appl. No. 29/606,443, filed Jun. 5, 2017.
 Zemel et al., Design U.S. Appl. No. 29/606,444, filed Jun. 5, 2017.

* cited by examiner

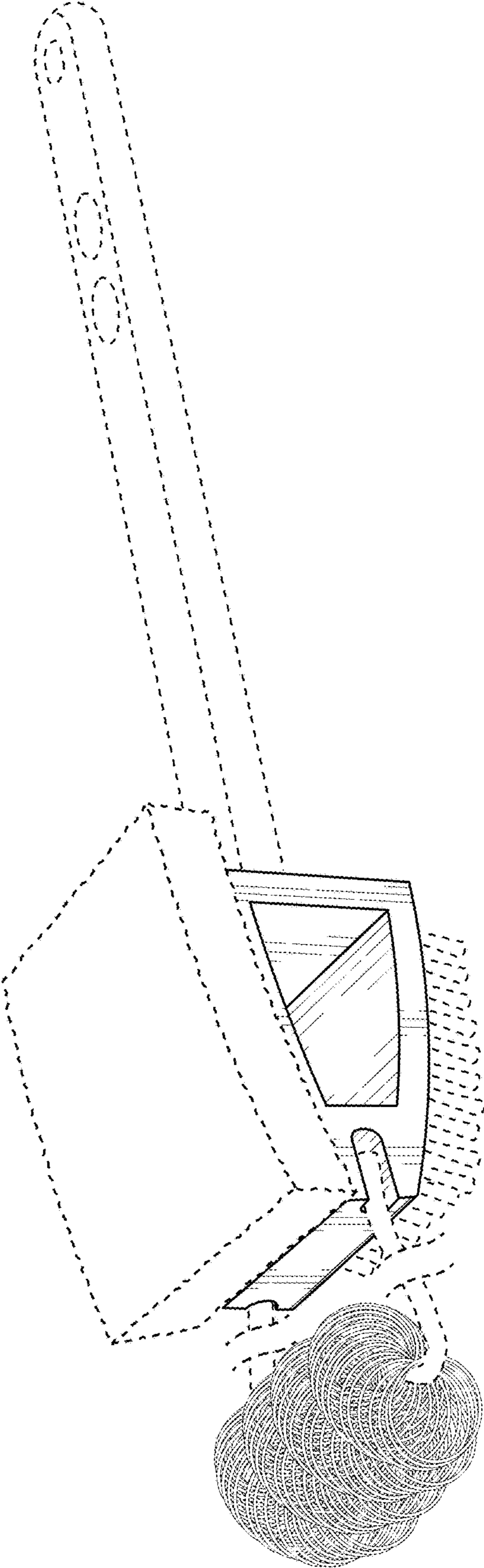


FIG. 1

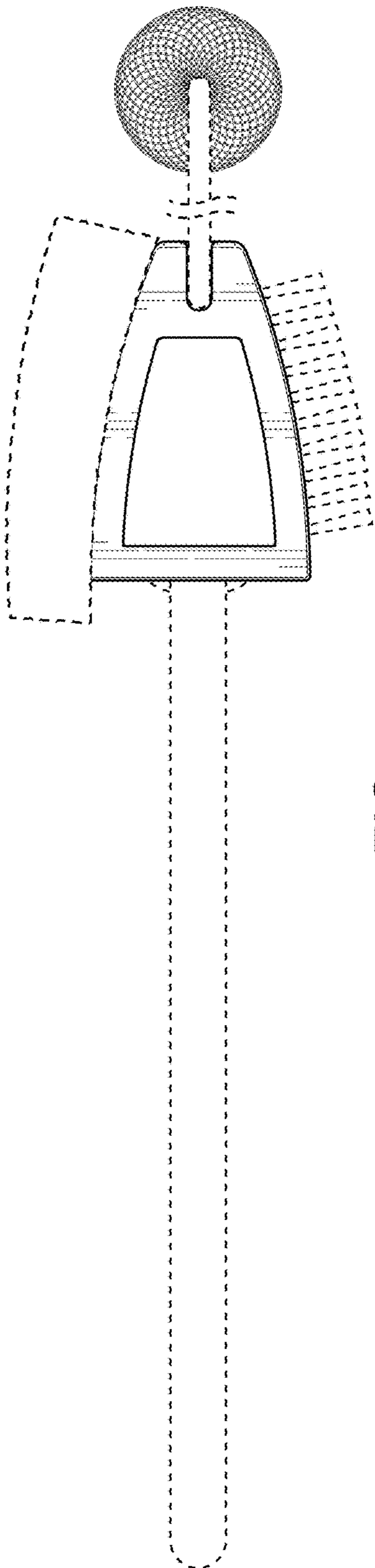


FIG. 2

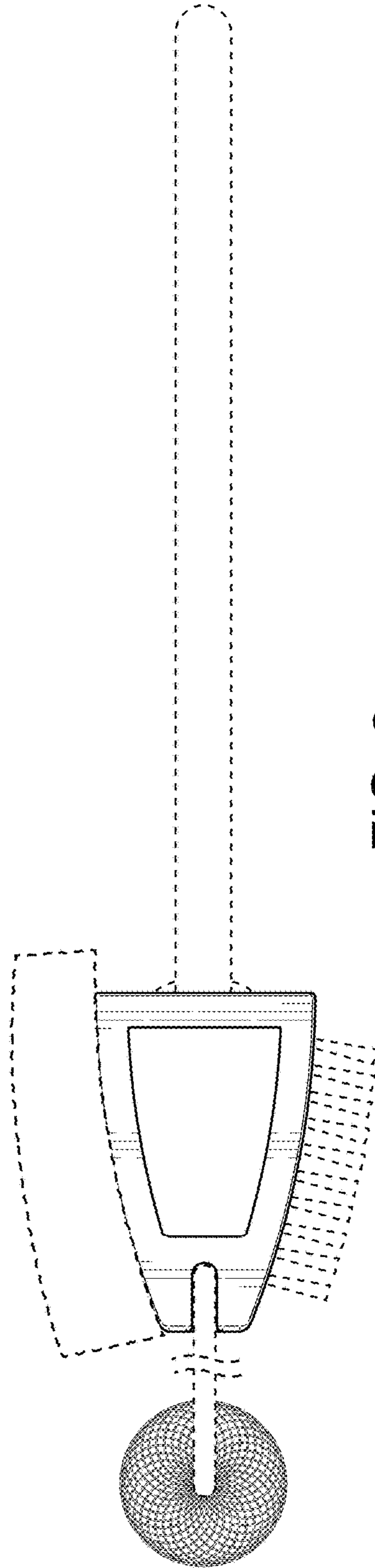


FIG. 3

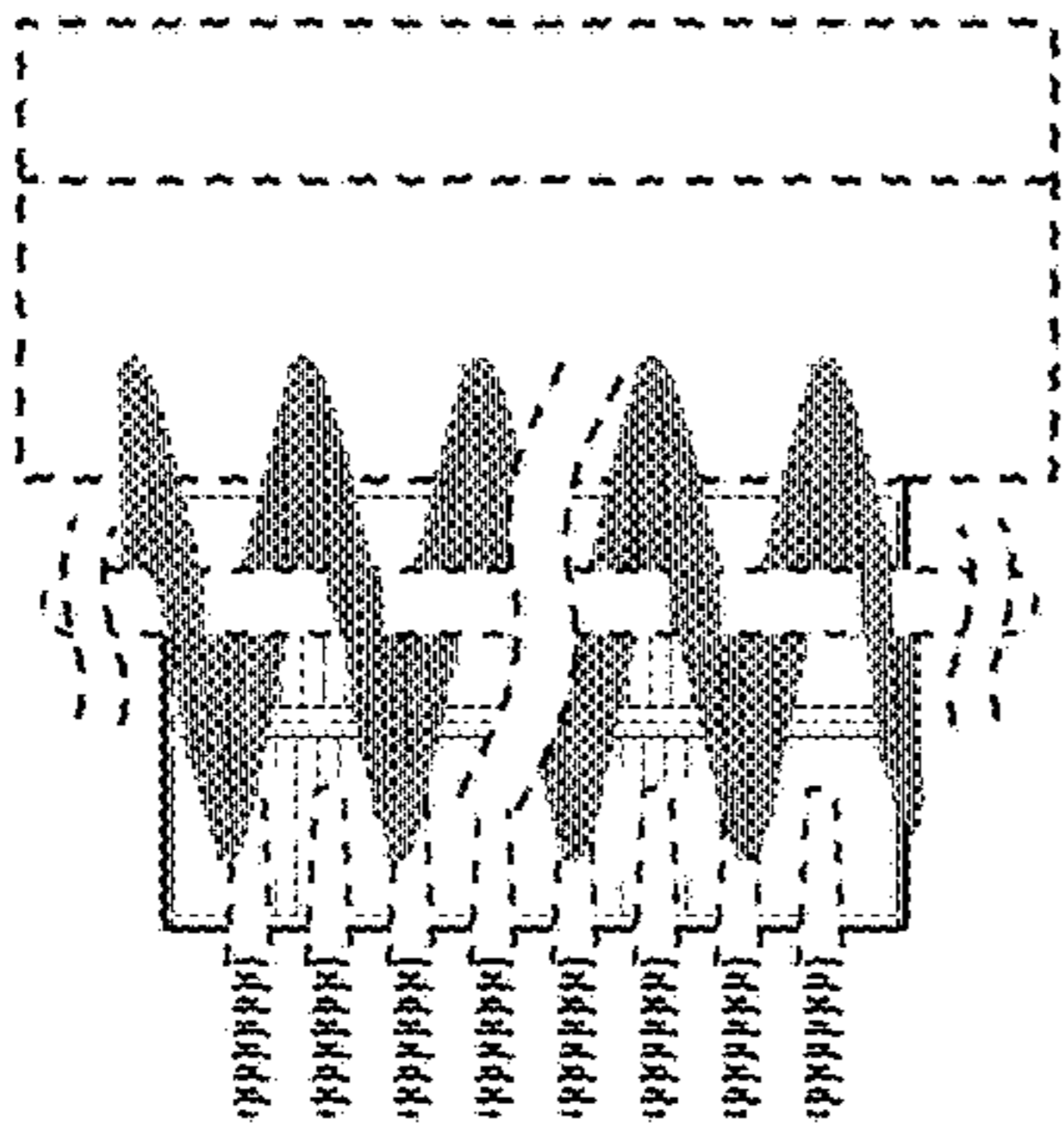


FIG. 4

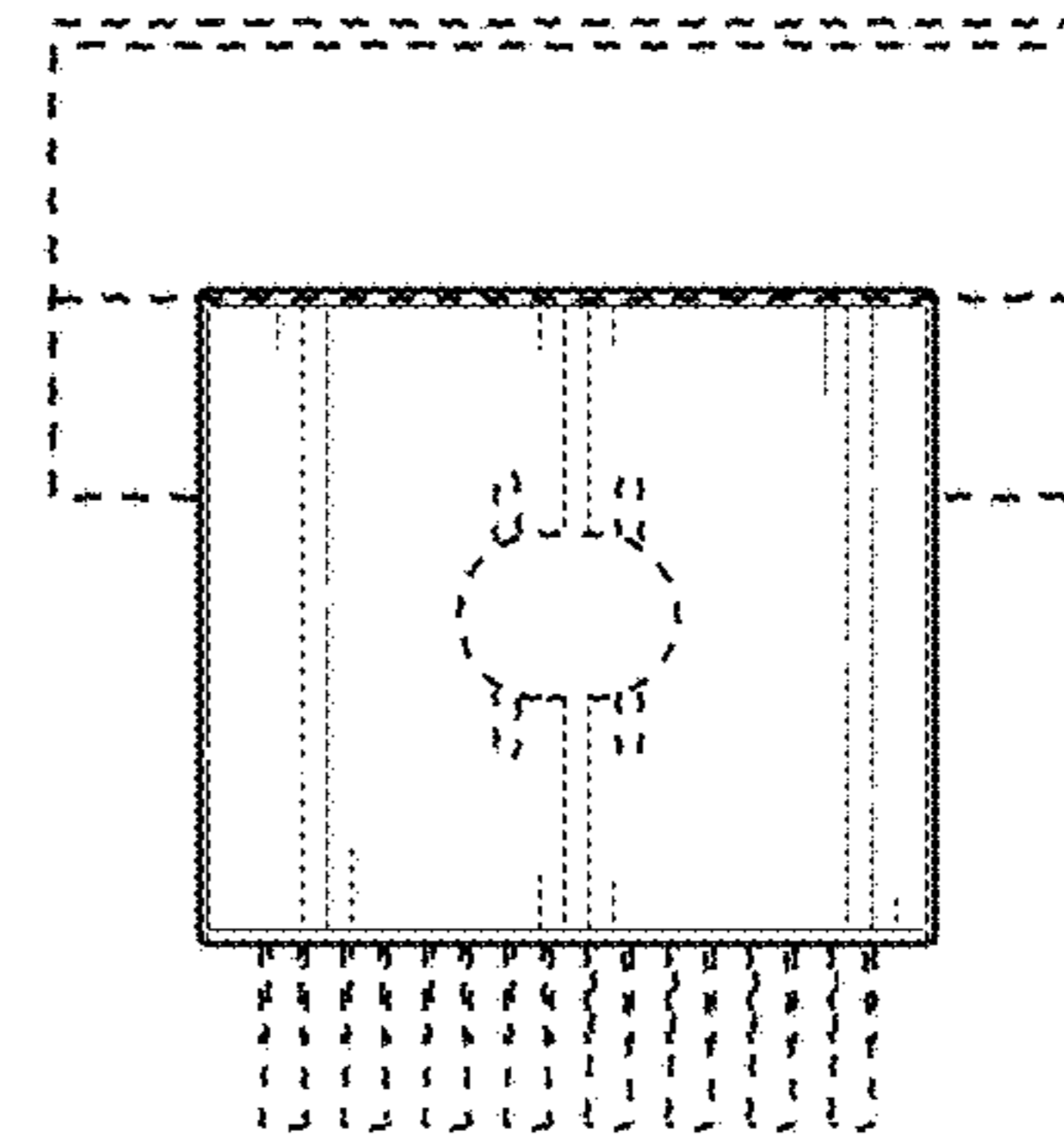


FIG. 6

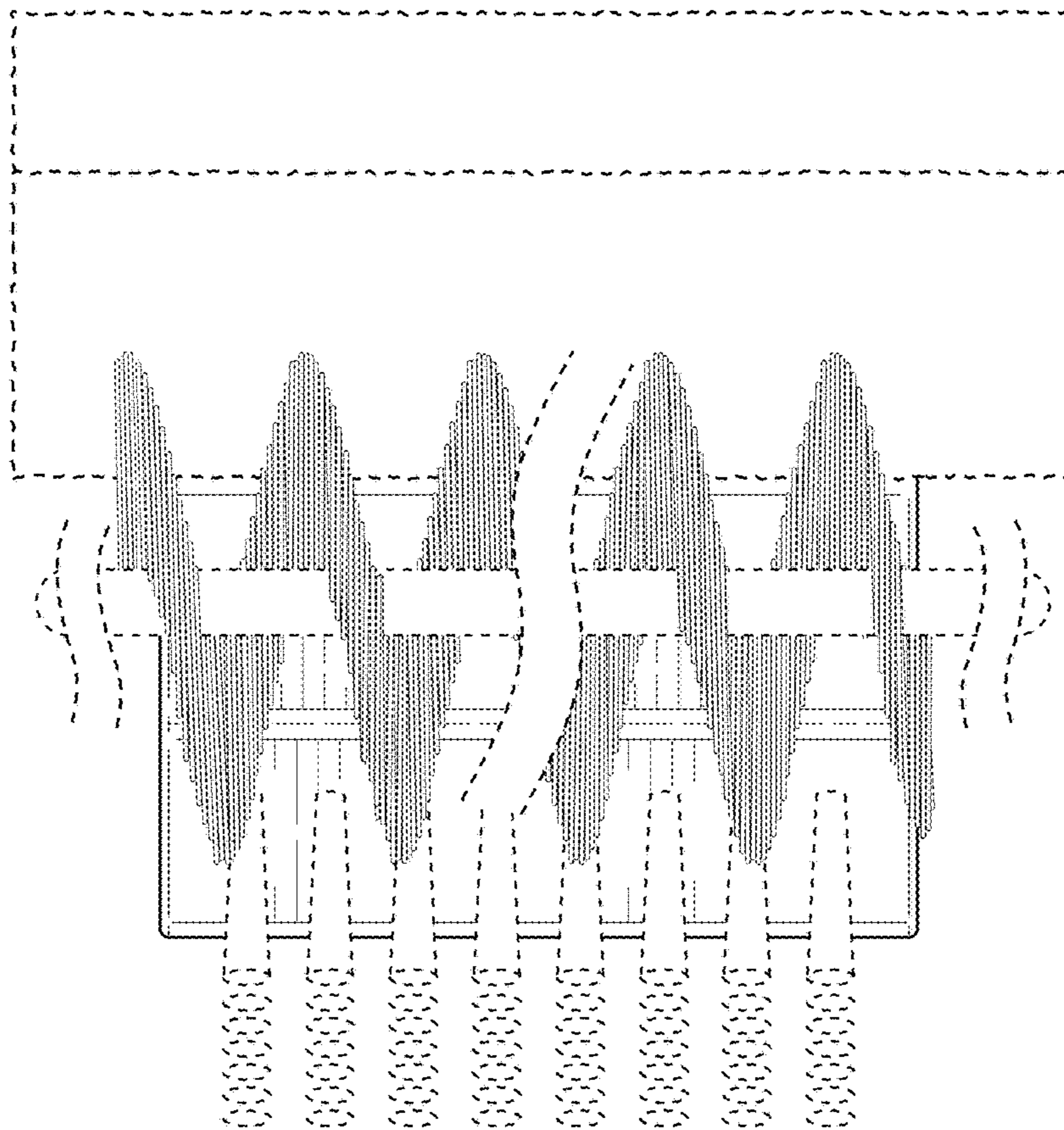


FIG. 5

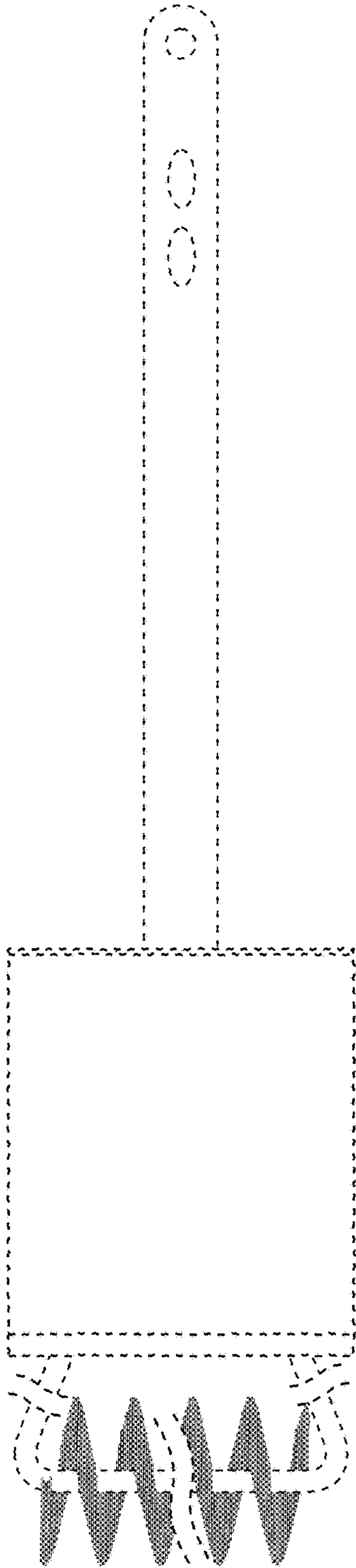


FIG. 7

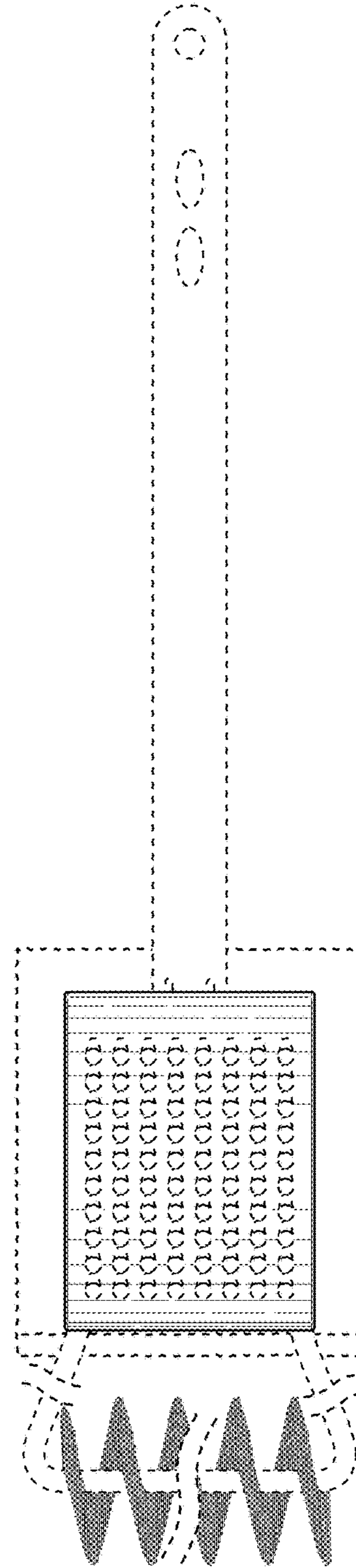


FIG. 8