



US00D832587S

(12) **United States Design Patent**
Zemel

(10) **Patent No.:** **US D832,587 S**

(45) **Date of Patent:** **** Nov. 6, 2018**

(54) **GRILL BRUSH**

(71) Applicant: **Mr. Bar-B-Q Products LLC**, Melville, NY (US)

(72) Inventor: **Marc Zemel**, Melville, NY (US)

(73) Assignee: **MR. BAR-B-Q PRODUCTS LLC**, Melville, NY (US)

(**) Term: **15 Years**

(21) Appl. No.: **29/616,769**

(22) Filed: **Sep. 8, 2017**

(51) **LOC (11) Cl.** **04-02**

(52) **U.S. Cl.**
USPC **D4/118; D4/134**

(58) **Field of Classification Search**
USPC D4/114, 121, 127, 128, 129, 130, 131, D4/132, 133, 134, 135, 136, 137, 138, D4/199, 115, 116, 117, 118, 119, 120; D24/214, 215; D28/63; D30/158; D32/40, 41, 42, 50, 51, 53; D7/395; 15/111

CPC A46B 5/00; A46B 5/02; A46B 9/02; A46B 2200/3093; A46B 2200/30; A46B 2200/3033; A47L 17/00

See application file for complete search history.

(56) **References Cited**

U.S. PATENT DOCUMENTS

D146,729 S	4/1947	Storm	
D183,543 S *	9/1958	Scholl	D4/127
3,199,139 A *	8/1965	Vallis	A47L 17/00
			15/111
D250,229 S *	11/1978	Werner	D28/63
D367,176 S *	2/1996	Berti	D4/138
D417,121 S	11/1999	Brunianyn	
D427,025 S	6/2000	Lee	
D427,858 S	7/2000	Zemel	

D431,753 S	10/2000	Cohen et al.	
D431,960 S	10/2000	Hay	
D442,026 S	5/2001	Rae	
D445,654 S	7/2001	Yu	
D448,973 S	10/2001	Hay et al.	
D456,207 S	4/2002	Zemel	
D456,615 S	5/2002	Zemel	
D456,667 S	5/2002	Veltri et al.	
D463,952 S	10/2002	Zemel	
D465,336 S	11/2002	Zemel	
D469,614 S *	2/2003	Libman	D4/138
D474,644 S	5/2003	Zemel	
D476,525 S	7/2003	Zemel	
D480,215 S *	10/2003	Mastroianni	D4/118
D481,906 S	11/2003	Knor	
D482,566 S	11/2003	Zemel	
D482,569 S	11/2003	Zemel	
D491,413 S	6/2004	Rosenthal	
D492,119 S *	6/2004	Hay	D4/127
D492,543 S	7/2004	Munari	

(Continued)

Primary Examiner — Karen E Eldridge Powers

(74) *Attorney, Agent, or Firm* — Carter, DeLuca, Farrell & Schmidt, LLP

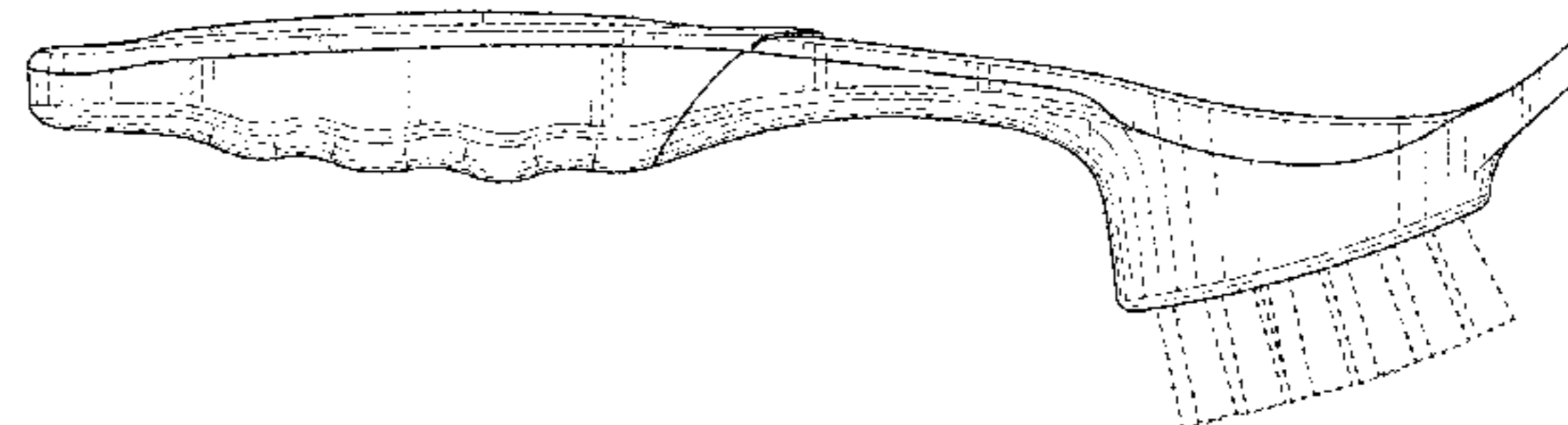
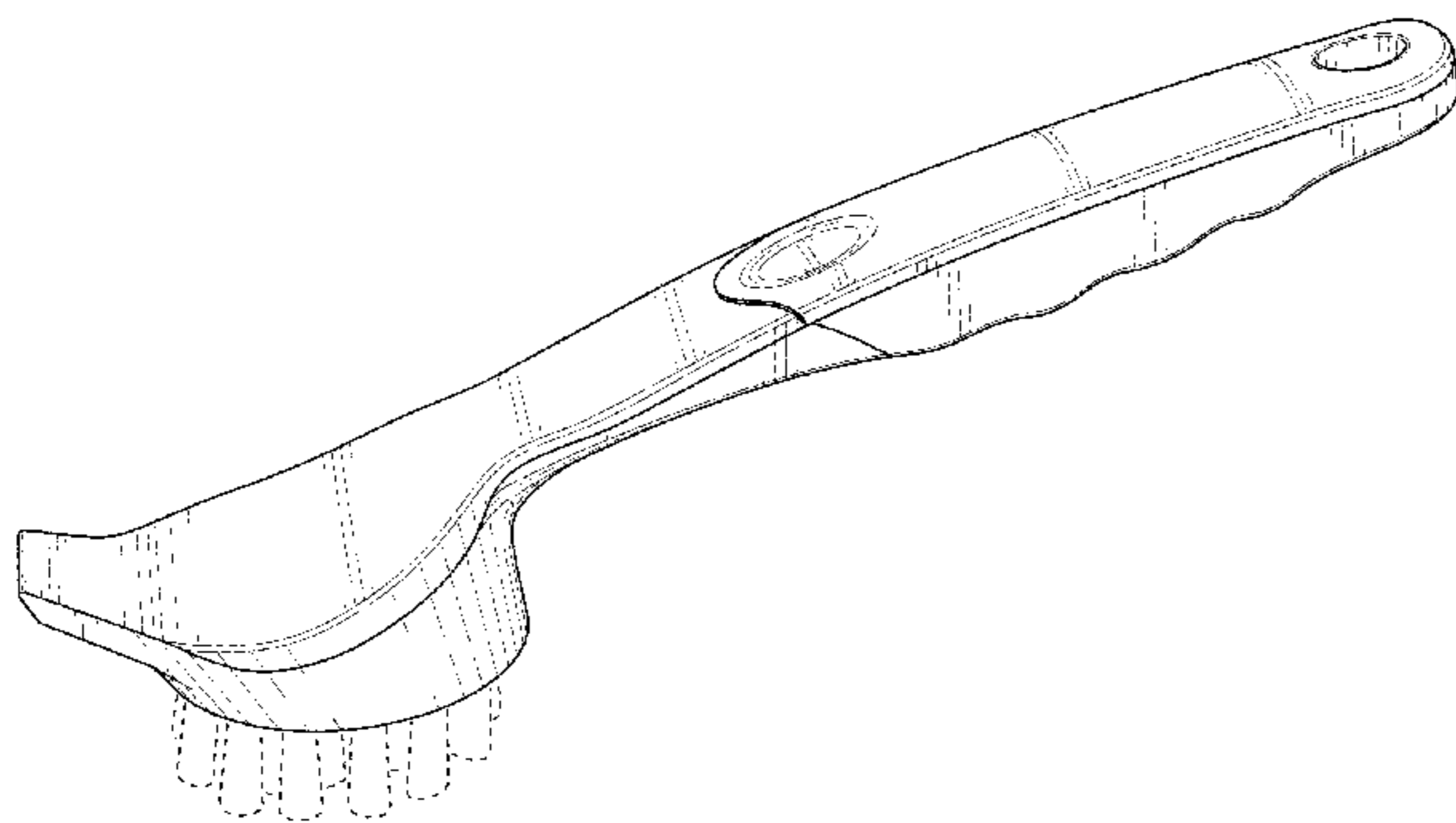
(57) **CLAIM**

The ornamental design for a grill brush, as shown and described.

DESCRIPTION

FIG. 1 is a perspective view of a grill brush in accordance with the present design; FIG. 2 is a left side elevational view thereof; FIG. 3 is a right side elevational view thereof; FIG. 4 is a front elevational view thereof; FIG. 5 is a rear elevational view thereof; FIG. 6 is a top plan view thereof; and, FIG. 7 is a bottom plan view thereof. The broken lines shown in the drawings illustrate portions of the grill brush that form no part of the claimed design.

1 Claim, 4 Drawing Sheets



(56)

References Cited

U.S. PATENT DOCUMENTS

D494,006 S	8/2004	Zemel	
D494,807 S	8/2004	Zemel	
D495,497 S *	9/2004	Berti	D4/138
D496,558 S	9/2004	Zemel	
D503,071 S	3/2005	Lu	
D528,857 S	9/2006	Zemel	
7,111,352 B2 *	9/2006	Yu	A46B 7/04 15/176.4
D529,333 S	10/2006	Zemel	
D529,335 S	10/2006	Zemel	
D531,853 S	11/2006	Zemel	
D533,397 S	12/2006	Zemel	
D534,001 S	12/2006	Zemel	
D535,147 S	1/2007	Zemel	
D535,519 S	1/2007	Zemel	
D544,750 S	6/2007	Zemel	
D545,120 S	6/2007	Zemel	
D545,121 S	6/2007	Zemel	
D550,504 S	9/2007	Zemel	
D562,062 S	2/2008	Zemel	
D562,064 S	2/2008	Zemel	
D563,675 S	3/2008	Zemel	
D564,292 S	3/2008	Zemel	
D566,460 S	4/2008	Zemel	
D569,174 S	5/2008	Zemel	
D572,011 S *	7/2008	Zemel	D4/118
D572,012 S *	7/2008	Zemel	D4/118
D572,079 S	7/2008	Zemel	
D572,080 S	7/2008	Zemel	
D574,184 S	8/2008	Zemel	
D575,523 S *	8/2008	Libman	D4/132
D575,526 S *	8/2008	Libman	D4/118
D578,826 S	10/2008	Lu	
D579,269 S	10/2008	Zemel	
D579,668 S	11/2008	Zemel	
D580,659 S	11/2008	Zemel	
D588,868 S	3/2009	Zemel	
D598,202 S *	8/2009	McNeil	D4/132
D618,499 S	6/2010	Zemel	
D622,542 S	8/2010	Zemel	
D629,650 S	12/2010	Funka, Jr. et al.	
D631,289 S	1/2011	Tuli	
D658,433 S	5/2012	Zemel	
D658,937 S	5/2012	Zemel	
D660,141 S	5/2012	Zemel	
D663,159 S	7/2012	Zemel	
8,516,644 B2 *	8/2013	Witzel	A47L 17/00 15/111
D690,153 S	9/2013	Zemel	
D702,996 S	4/2014	Zemel et al.	
D737,626 S	9/2015	Lu	
9,210,993 B2 *	12/2015	Gonzalez	A46B 3/18
D773,242 S	12/2016	Zemel et al.	

* cited by examiner

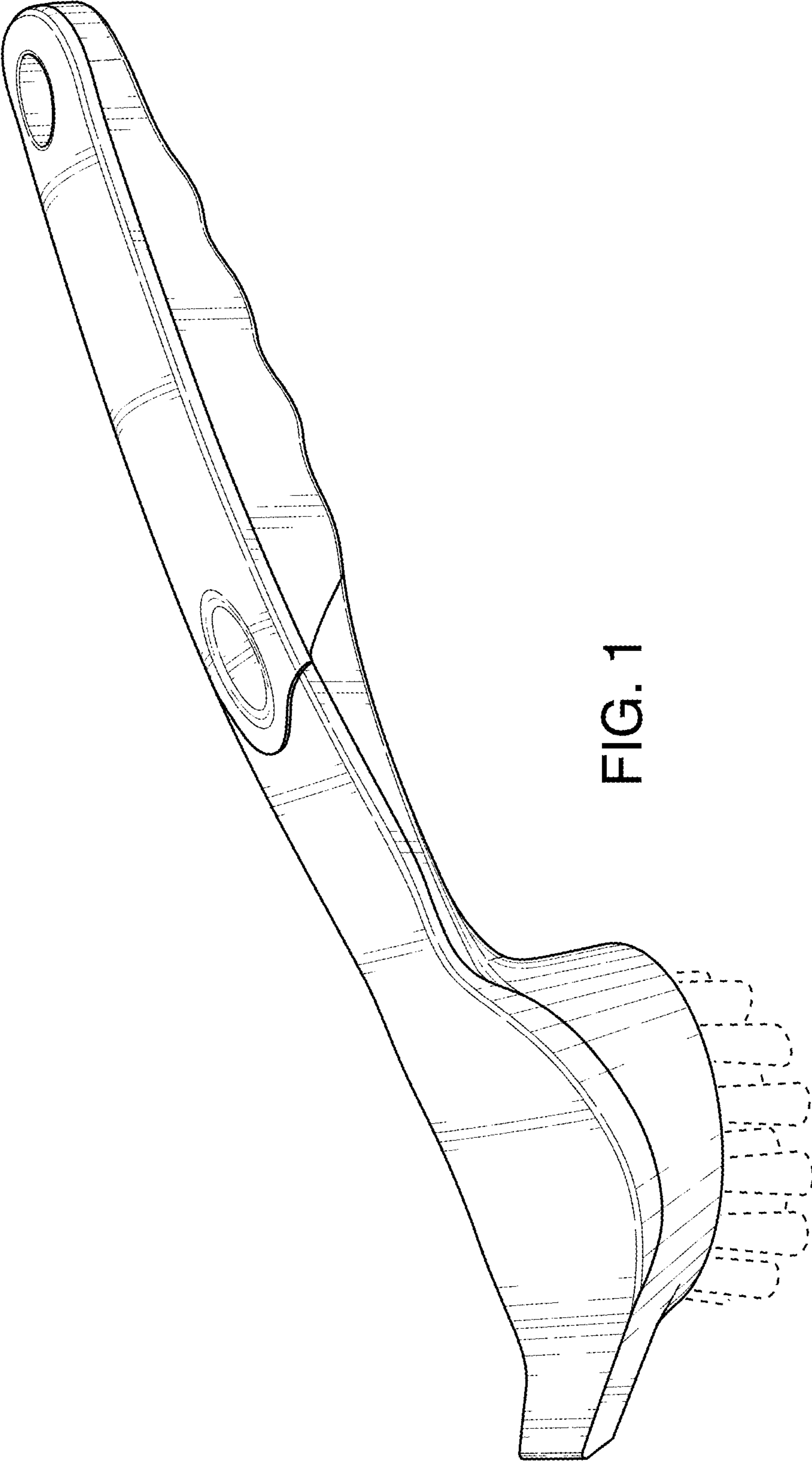


FIG. 1

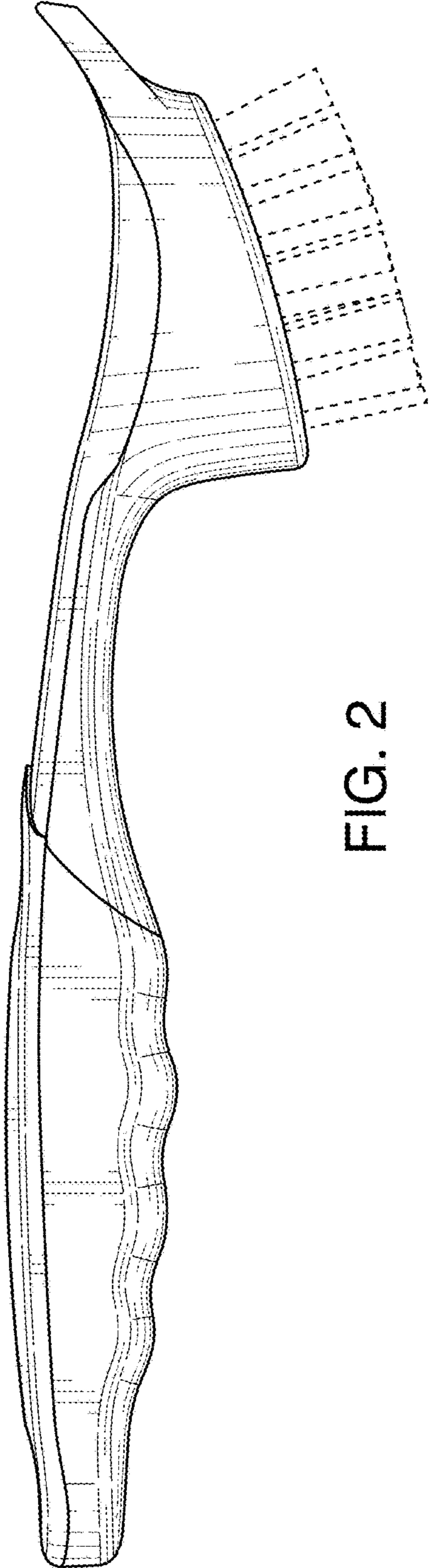


FIG. 2

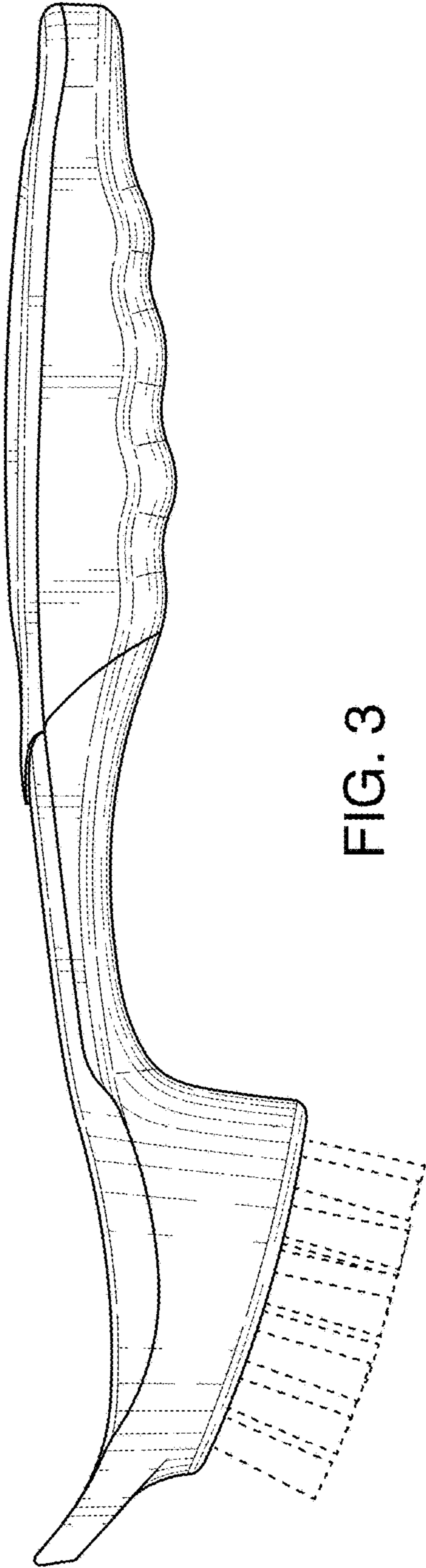


FIG. 3

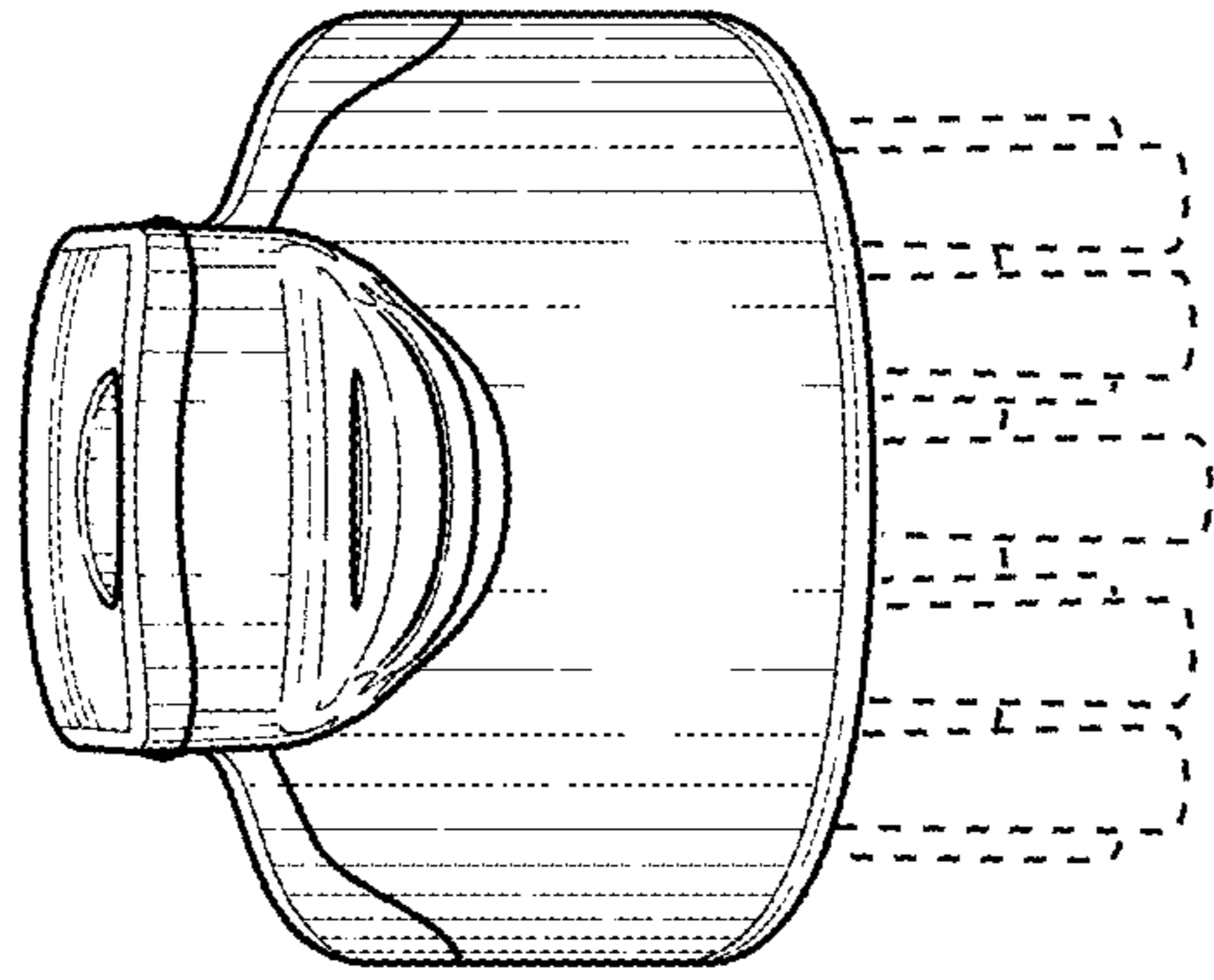


FIG. 5

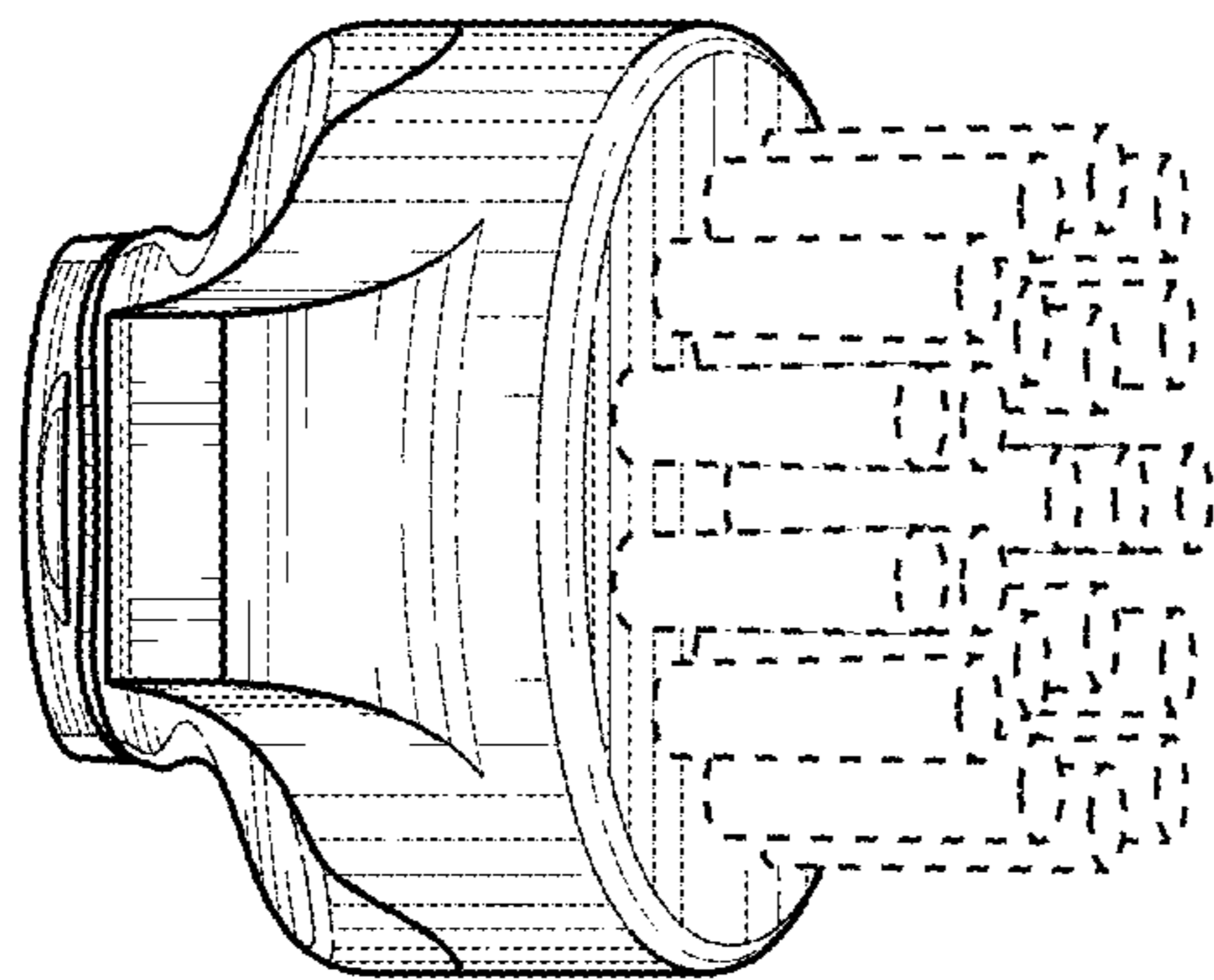


FIG. 4

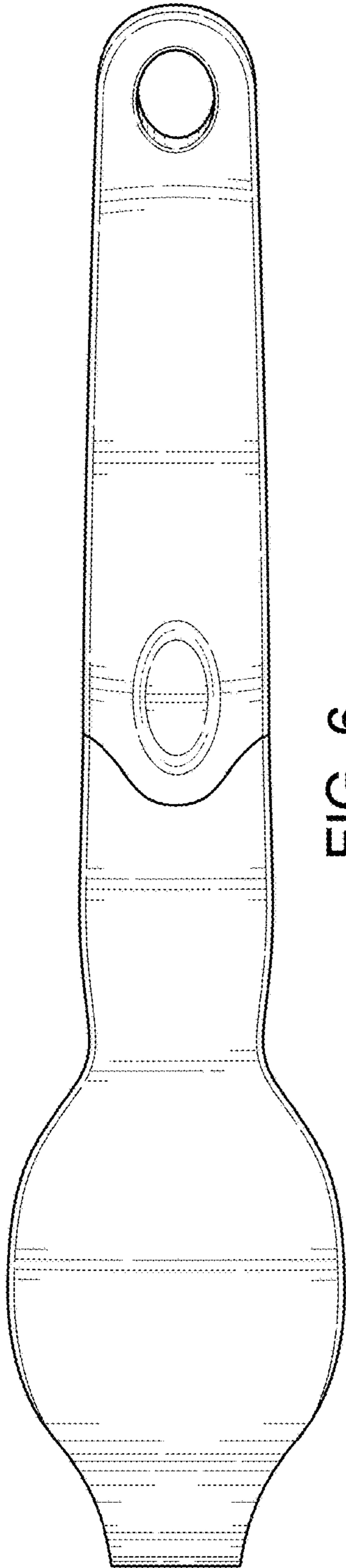


FIG. 6

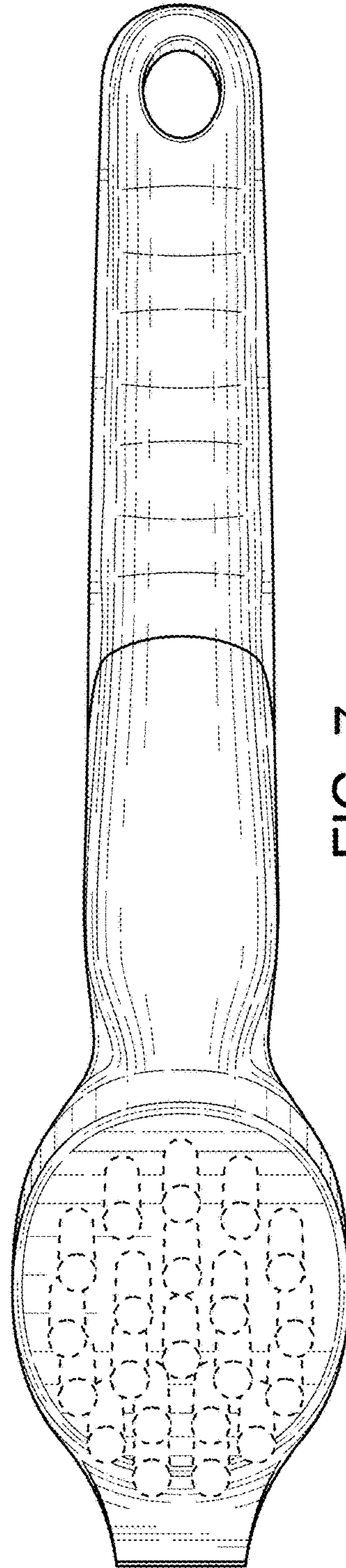


FIG. 7