



US00D832581S

(12) **United States Design Patent**
Lee et al.

(10) **Patent No.:** **US D832,581 S**
(45) **Date of Patent:** **** Nov. 6, 2018**

(54) **BINOCULAR CASE**
(71) Applicant: **NIKON INC.**, Melville, NY (US)
(72) Inventors: **David C. Lee**, New Fairfield, CT (US);
Jeffrey Hunter, Shoreham, NY (US);
Randy A. Garrison, Northport, NY (US)
(73) Assignee: **NIKON INC.**, Melville, NY (US)

D431,903 S * 10/2000 Worley D3/232
D436,250 S * 1/2001 Guyon D3/232
D436,251 S * 1/2001 Guyon D3/232
D691,793 S * 10/2013 Anigwe D3/217
D702,434 S * 4/2014 Chalk D3/216
D787,816 S * 5/2017 Slimane D3/217

* cited by examiner

Primary Examiner — Holly H Baynham
(74) *Attorney, Agent, or Firm* — Oliff PLC

(**) Term: **15 Years**

(57) **CLAIM**

(21) Appl. No.: **29/623,490**

The ornamental design for a binocular case, as shown and described.

(22) Filed: **Oct. 25, 2017**

DESCRIPTION

(51) **LOC (11) Cl.** **03-01**
(52) **U.S. Cl.**

USPC **D3/318**; D3/216
(58) **Field of Classification Search**
USPC D3/216–217, 244, 318
CPC A45F 4/02; A45F 3/04; A45C 7/00; A45C
9/00
See application file for complete search history.

FIG. 1 is a front, top, left-side perspective view of the binocular case;
FIG. 2 is a front elevational view thereof;
FIG. 3 is a top plan view thereof;
FIG. 4 is a right-side elevational view thereof;
FIG. 5 is a left-side elevational view thereof;
FIG. 6 is a rear elevational view thereof;
FIG. 7 is a bottom plan view thereof; and,
FIG. 8 is a front, top, left-side perspective view thereof in an open state.

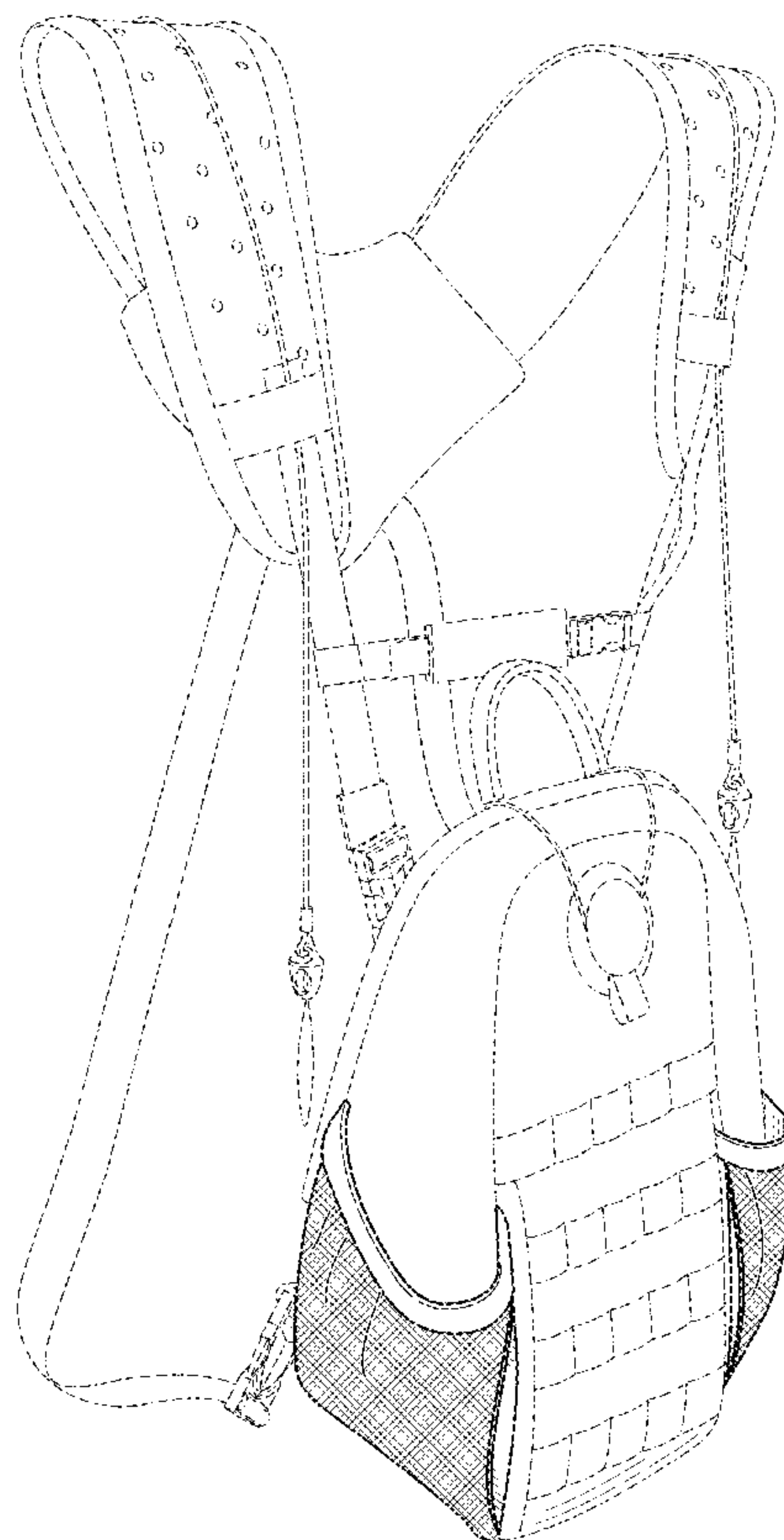
The broken lines depict unclaimed parts of the binocular case, and thus form no part of the claimed design.

(56) **References Cited**

U.S. PATENT DOCUMENTS

D340,354 S * 10/1993 Wrath D3/216
D420,792 S * 2/2000 Sakelliou D3/216

1 Claim, 7 Drawing Sheets



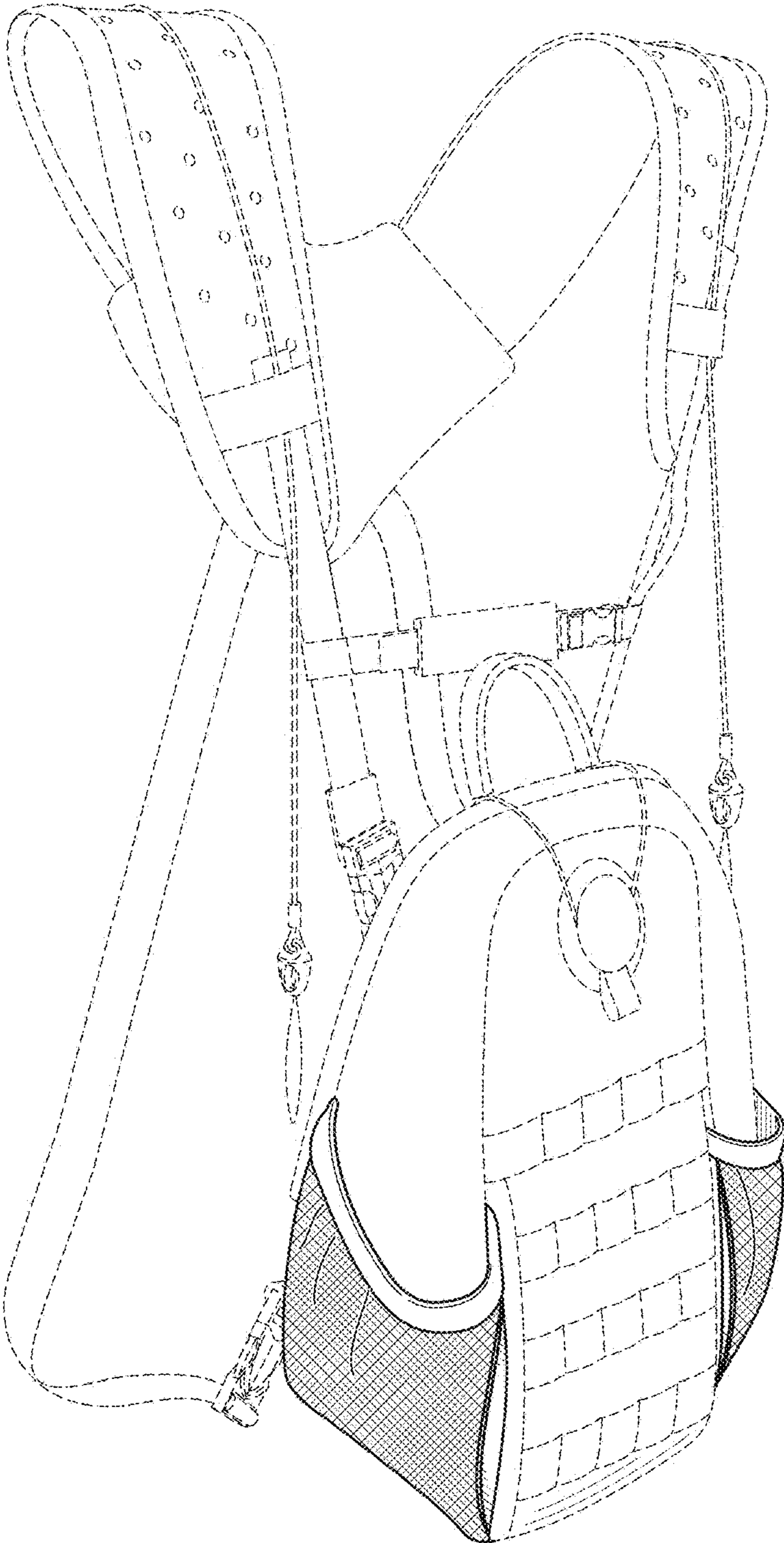


FIG. 1

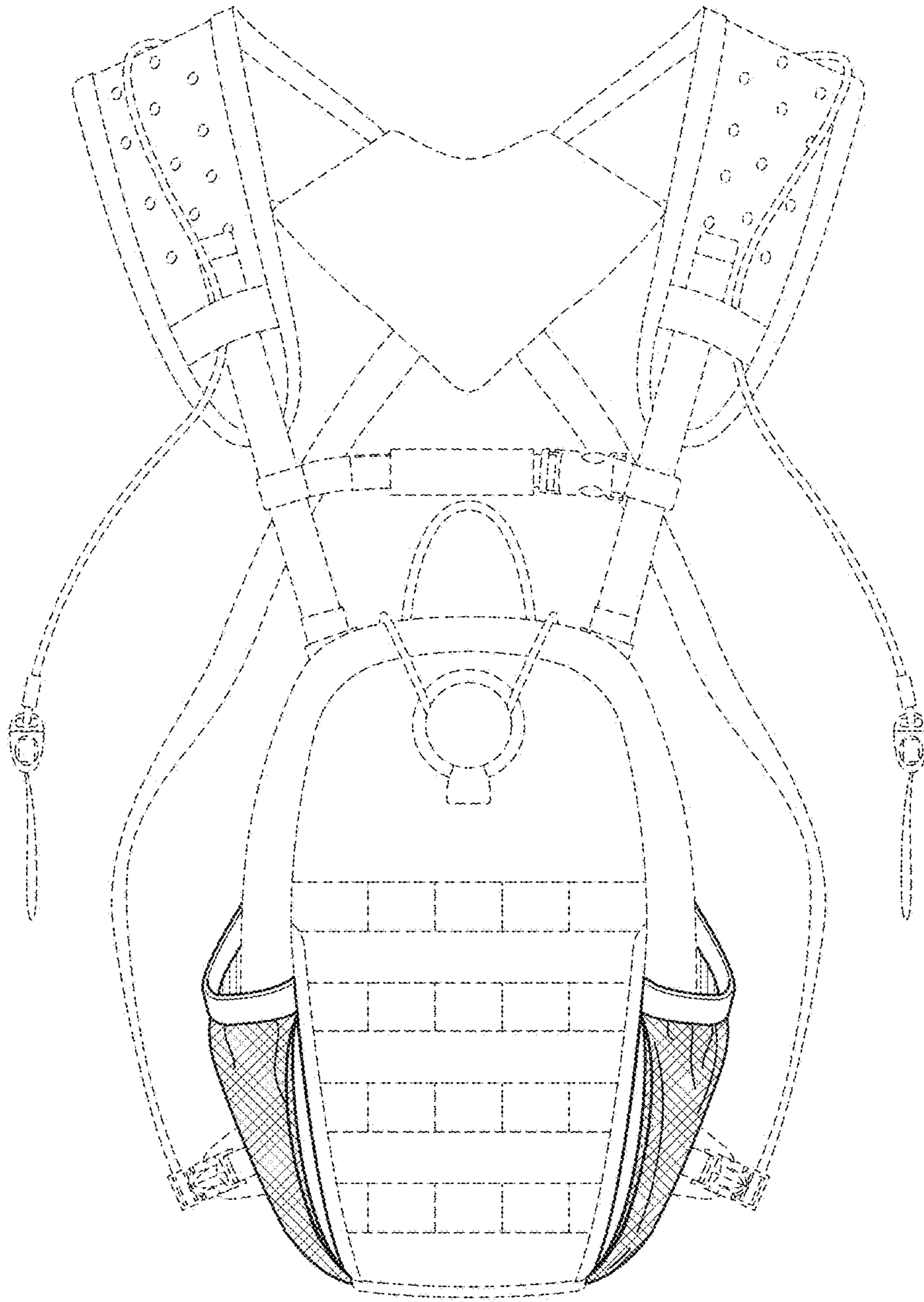


FIG. 2

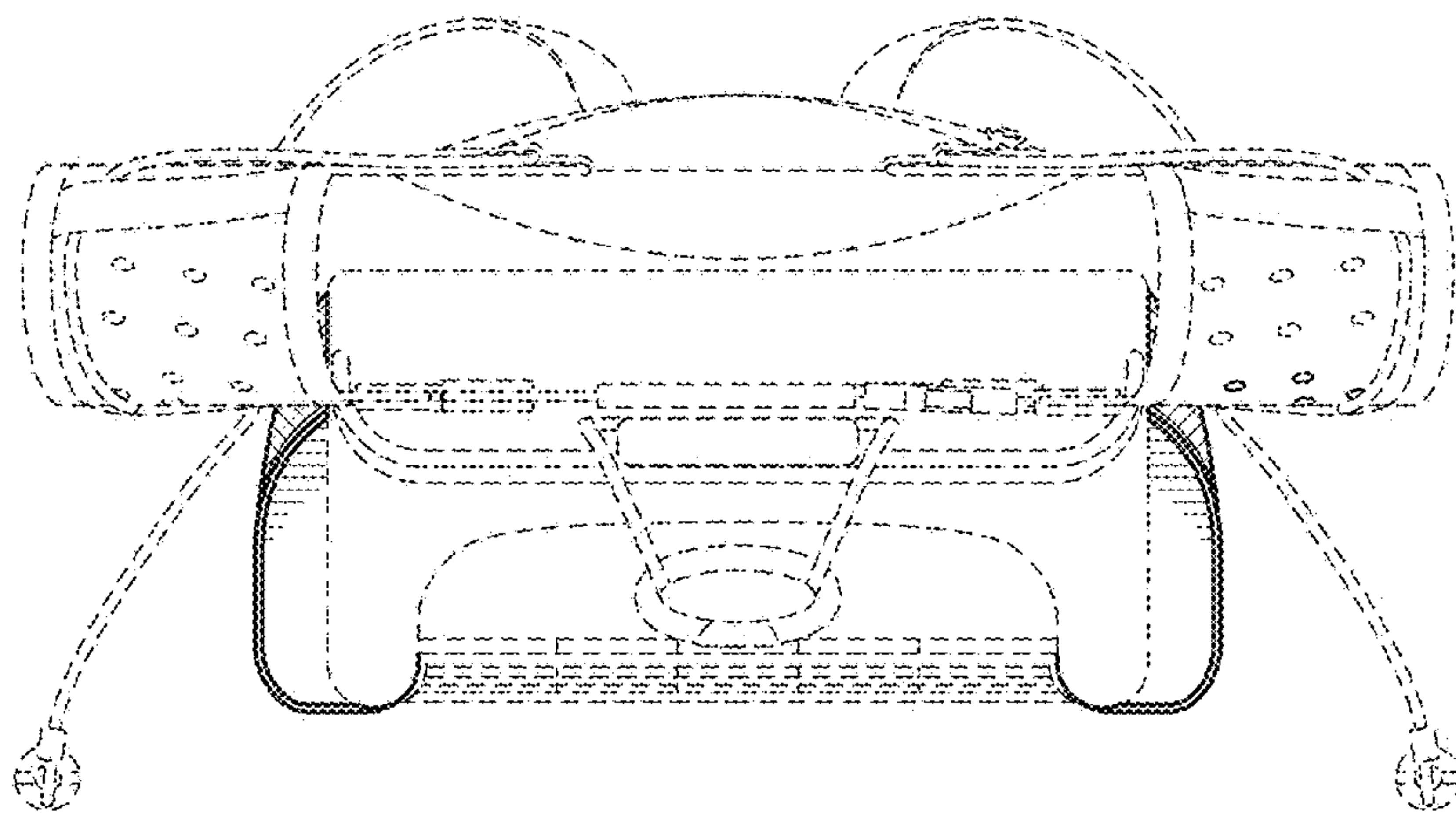


FIG. 3

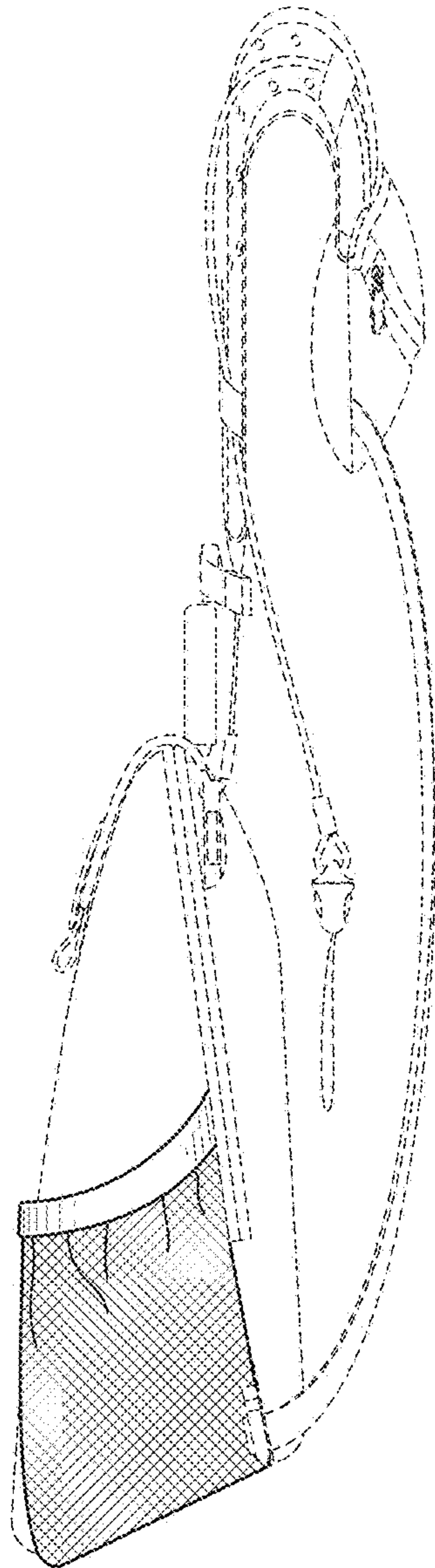


FIG. 4

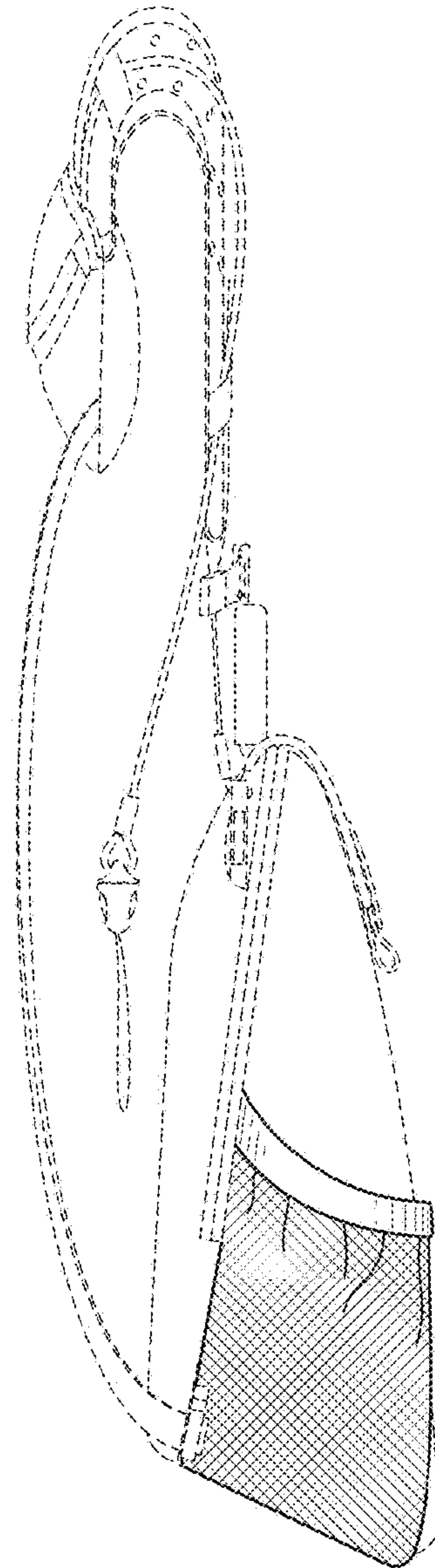


FIG. 5

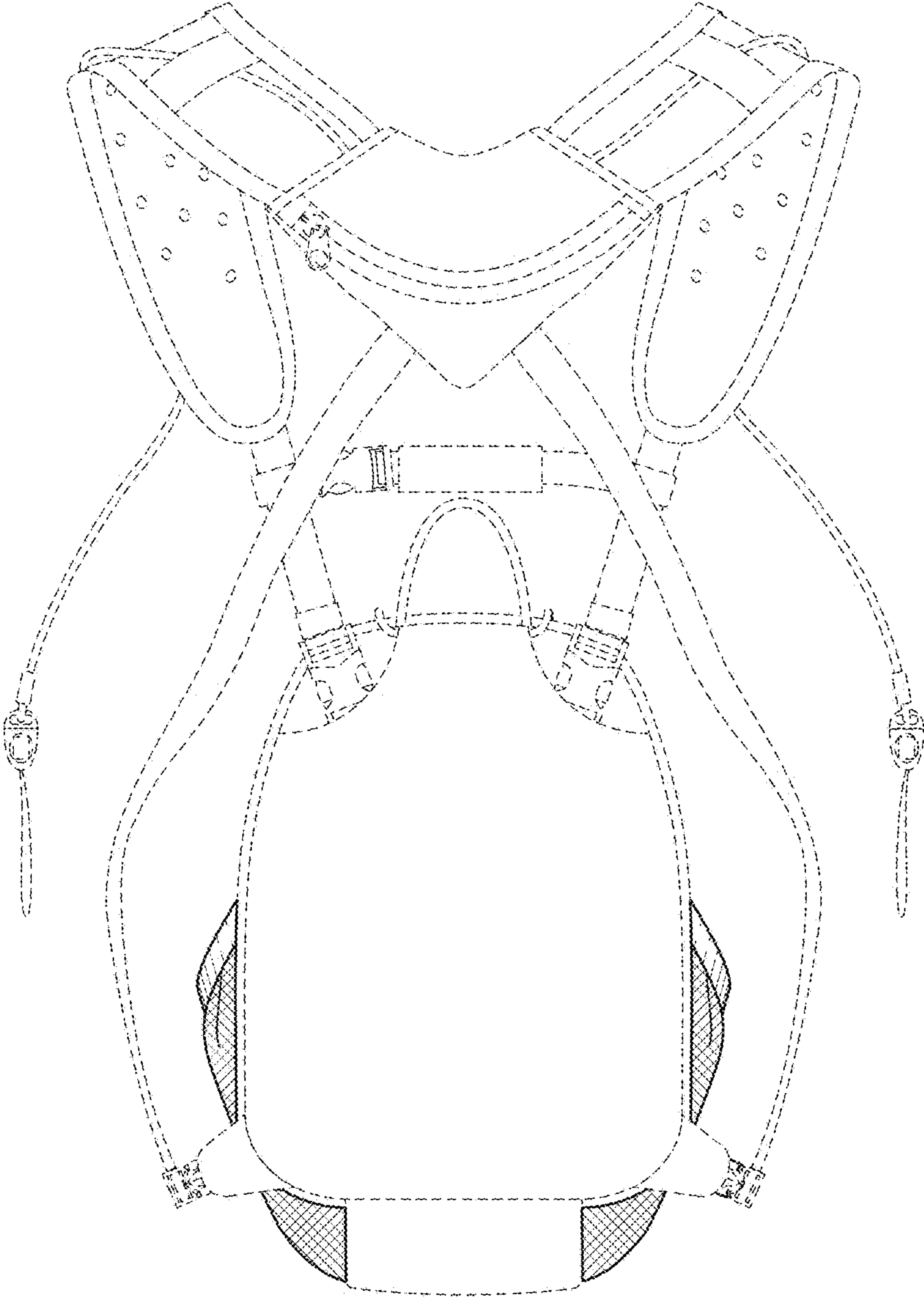


FIG. 6

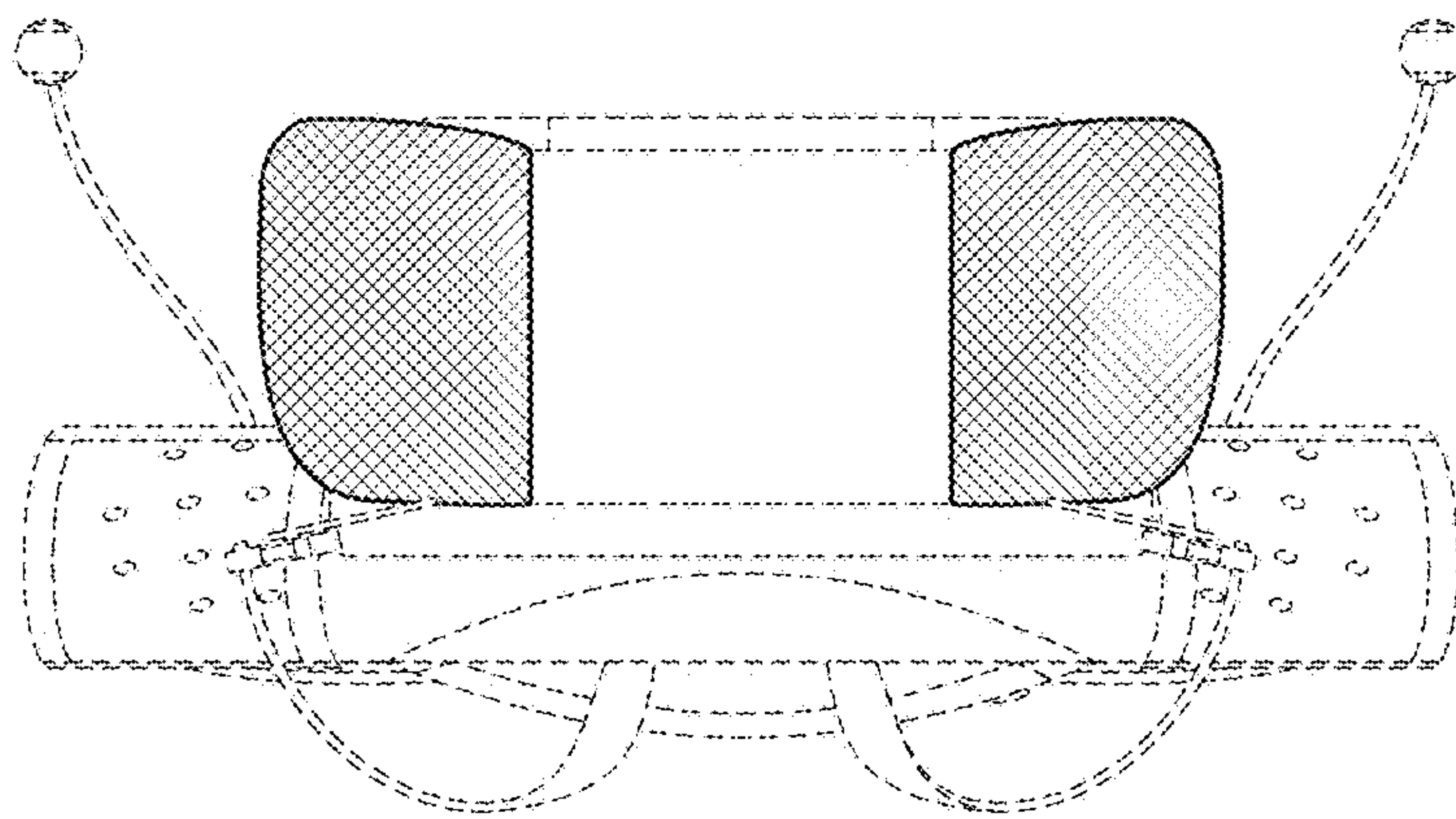


FIG. 7

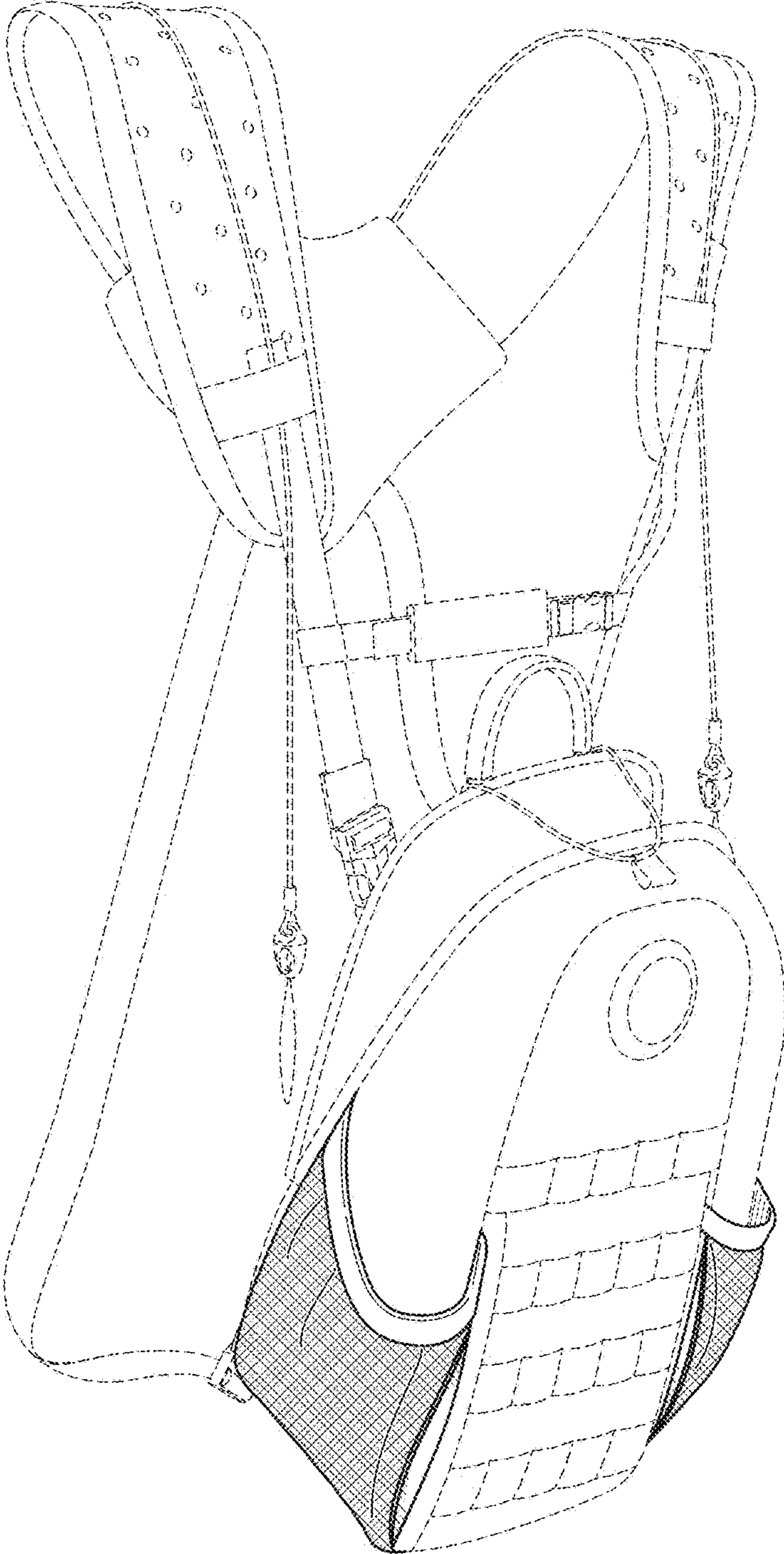


FIG. 8