



US00D832578S

(12) **United States Design Patent** (10) **Patent No.:** **US D832,578 S**
Cao (45) **Date of Patent:** **** Nov. 6, 2018**

(54) **STORAGE BASKET**

(71) Applicant: **Guohua Cao**, Guangdong (CN)

(72) Inventor: **Guohua Cao**, Guangdong (CN)

(**) Term: **15 Years**

(21) Appl. No.: **29/619,441**

(22) Filed: **Sep. 29, 2017**

(51) **LOC (11) Cl.** **03-01**

(52) **U.S. Cl.**
USPC **D3/306**

(58) **Field of Classification Search**
USPC D3/304–306, 314–315; D6/566–567,
D6/672–673, 678, 678.4

(Continued)

(56) **References Cited**

U.S. PATENT DOCUMENTS

1,840,561 A * 1/1932 Bre Miller B65B 3/006
220/345.1

D419,302 S * 1/2000 Hardy D19/75
(Continued)

Primary Examiner — Kelley Donnelly

(57) **CLAIM**

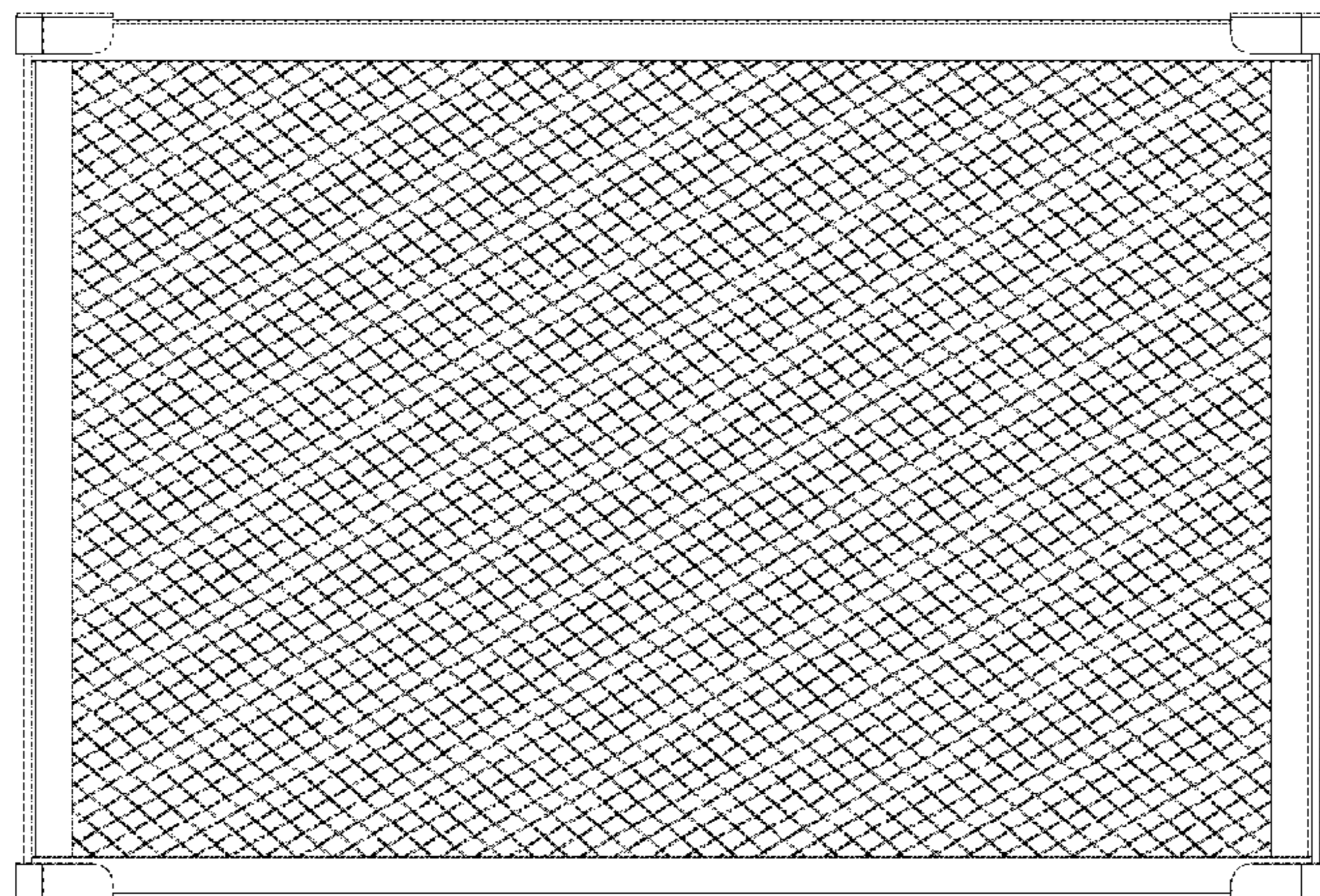
The ornamental design for a storage basket, as shown.

DESCRIPTION

FIG. 1 is a front elevational view of a storage basket of my new design, the rear elevational view being a mirror image of the front elevational view;
FIG. 2 is a left side view thereof, the right side view being a mirror image of the left side view;
FIG. 3 is a top plan view thereof;
FIG. 4 is a bottom plan view thereof;
FIG. 5 is a perspective view thereof;
FIG. 6 is a second perspective view thereof;

FIG. 7 is a front elevational view of a first component of the storage basket of my new design, the rear elevational view being a mirror image of the front elevational view;
FIG. 8 a left side view thereof, the right side view being a mirror image of the left side view;
FIG. 9 is a top plan view thereof, the bottom plan view being a mirror image of the top plan view;
FIG. 10 is a perspective view thereof;
FIG. 11 is a front elevational view of a second component of the storage basket of my new design, the rear elevational view being a mirror image of the front elevational view;
FIG. 12 a left side view thereof, the right side view being a mirror image of the left side view;
FIG. 13 is a top plan view thereof, the bottom plan view being a mirror image of the top plan view;
FIG. 14 is a perspective view thereof;
FIG. 15 is a front elevational view of a third component of the storage basket of my new design, the rear elevational view being a mirror image of the front elevational view;
FIG. 16 a left side view thereof, the right side view being a mirror image of the left side view;
FIG. 17 is a top plan view thereof, the bottom plan view being a mirror image of the top plan view;
FIG. 18 is a perspective view thereof;
FIG. 19 is a front elevational view of a fourth component of the storage basket of my new design;
FIG. 20 is a rear elevational view thereof;
FIG. 21 is a left side view thereof;
FIG. 22 is a right side view thereof;
FIG. 23 is a top plan view thereof;
FIG. 24 is a bottom plan view thereof;
FIG. 25 is a perspective view thereof;
FIG. 26 is a second perspective view thereof;
FIG. 27 is a third perspective view thereof;
FIG. 28 is a front elevational view of a fifth component of the storage basket of my new design;
FIG. 29 is a rear elevational view thereof;
FIG. 30 is a left side view thereof;
FIG. 31 is a right side view thereof;
FIG. 32 is a top plan view thereof;
FIG. 33 is a bottom plan view thereof;
FIG. 34 is a perspective view thereof; and,
FIG. 35 is a second perspective view thereof.

1 Claim, 20 Drawing Sheets



(58) **Field of Classification Search**

CPC B65D 1/22; B65D 1/38; B65D 21/0211;
A47J 47/00

See application file for complete search history.

(56) **References Cited**

U.S. PATENT DOCUMENTS

D433,810	S	*	11/2000	Kellogg	D3/306
D451,675	S	*	12/2001	Hardy	D3/306
D455,292	S	*	4/2002	Hardy	D6/675
6,718,635	B2	*	4/2004	Cheng	A47B 55/02 220/485
D579,246	S	*	10/2008	Snider	D3/313
D579,254	S	*	10/2008	Dominique	D6/514
D579,660	S	*	11/2008	Snider	D3/304
D582,161	S	*	12/2008	Hardy	D3/306
D632,080	S	*	2/2011	Hardy	D3/306
D658,881	S	*	5/2012	Post	D3/306
D724,667	S	*	3/2015	Hu	D19/90
D756,168	S	*	5/2016	Tsai	D6/705.6
D792,099	S	*	7/2017	Hsu	D3/306
D799,827	S	*	10/2017	Greenblatt	D3/306
D804,821	S	*	12/2017	Hardy	D3/306
D807,036	S	*	1/2018	Hardy	D3/306

* cited by examiner

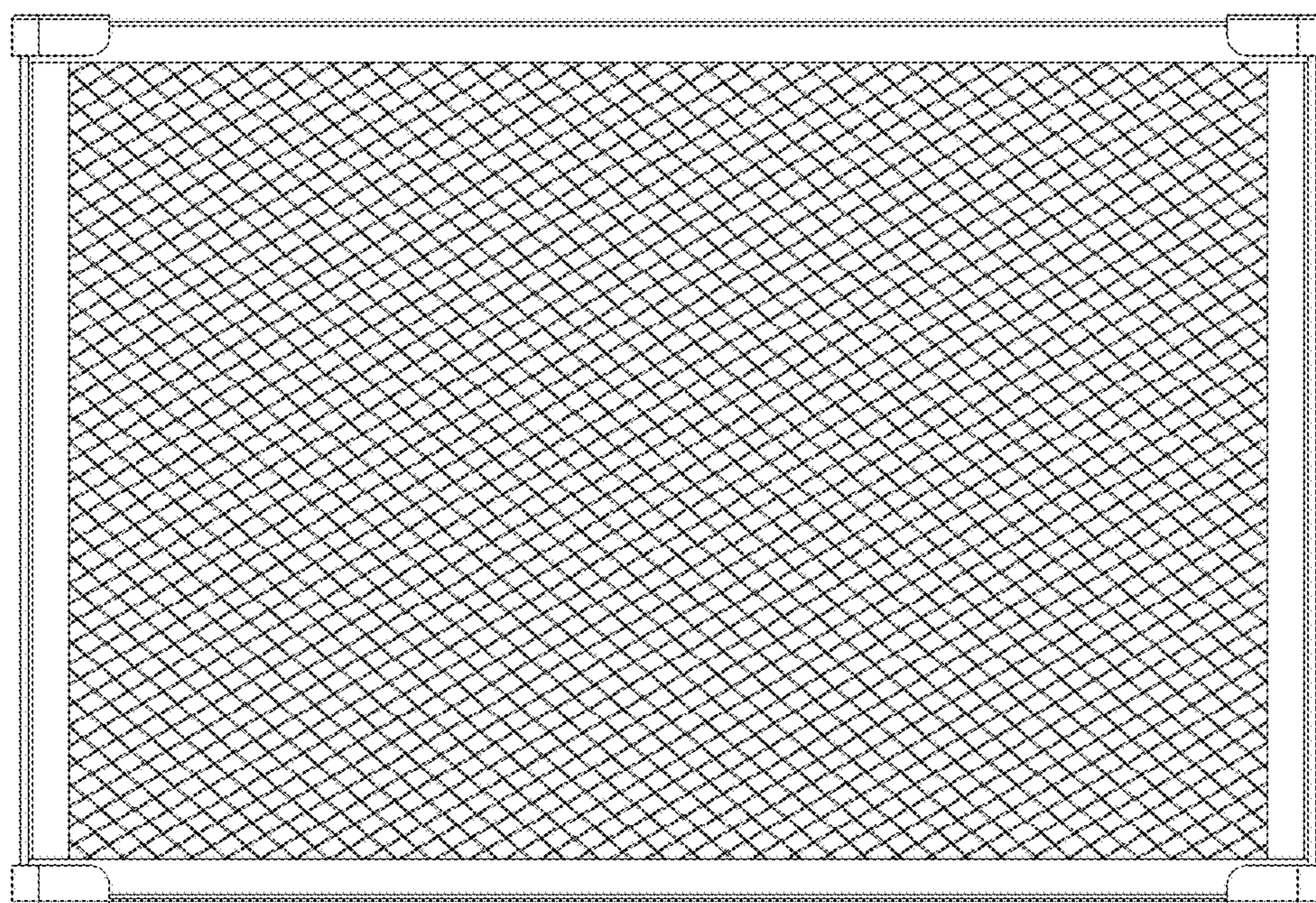


FIG. 1

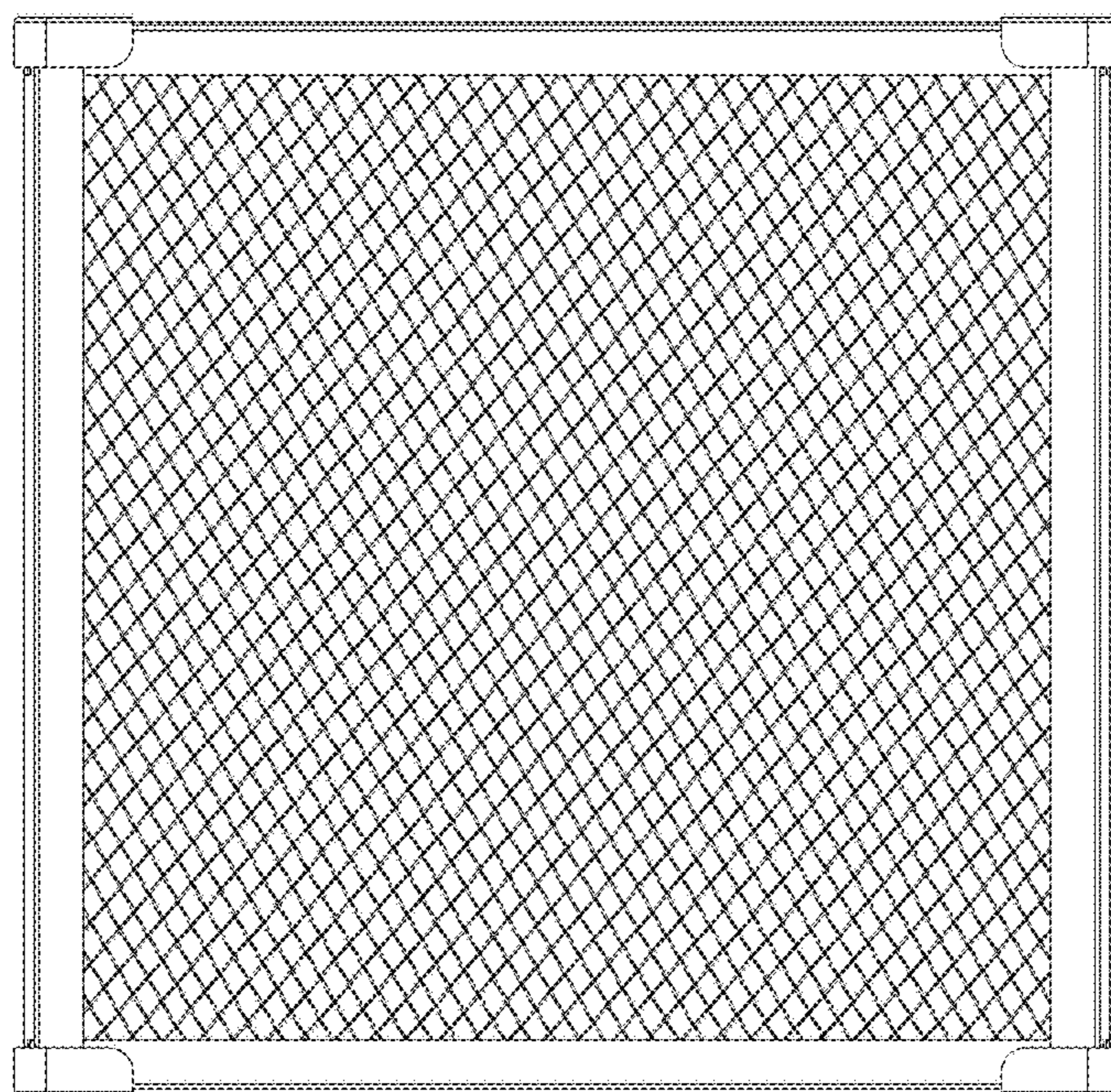


FIG. 2

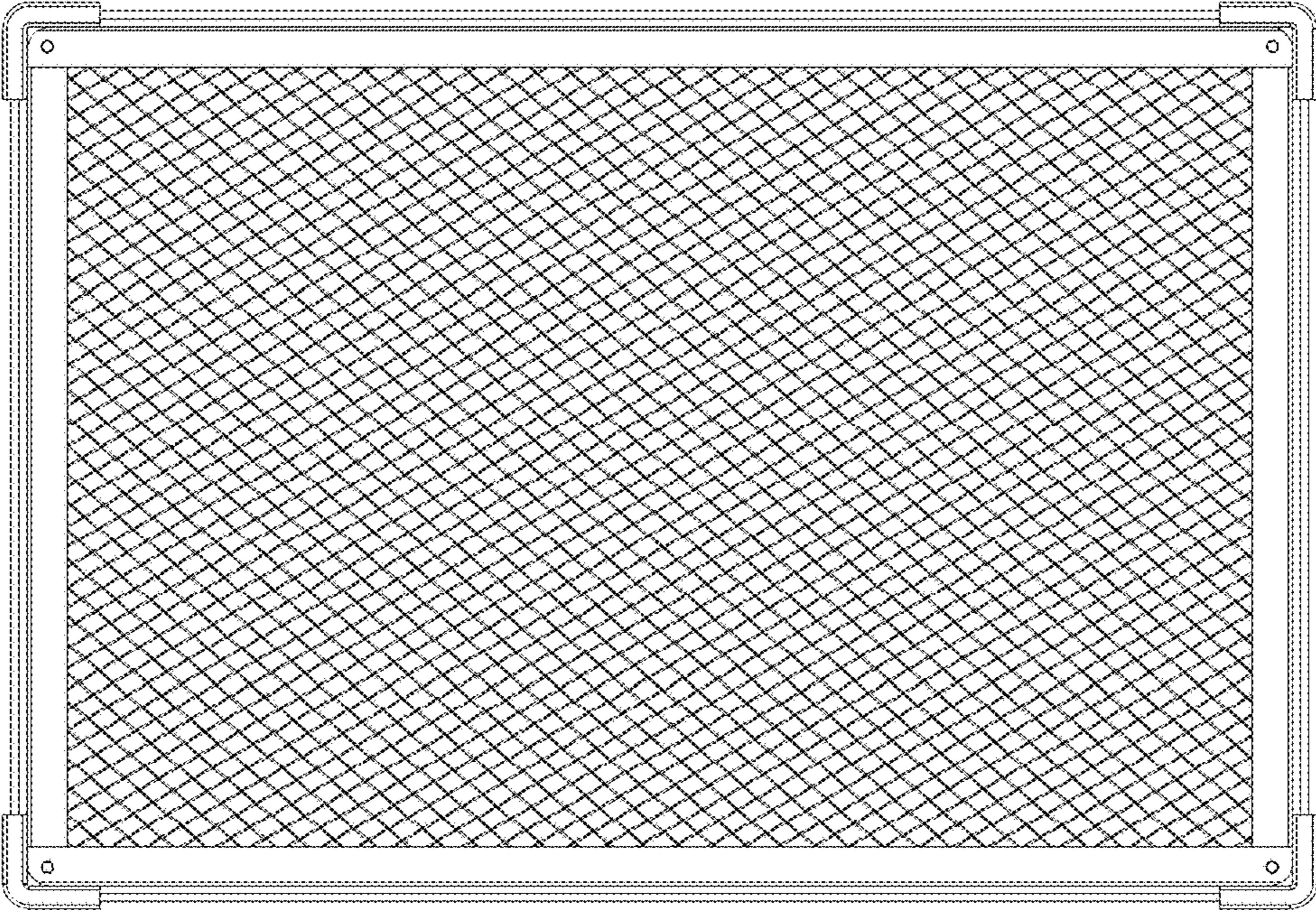


FIG. 3

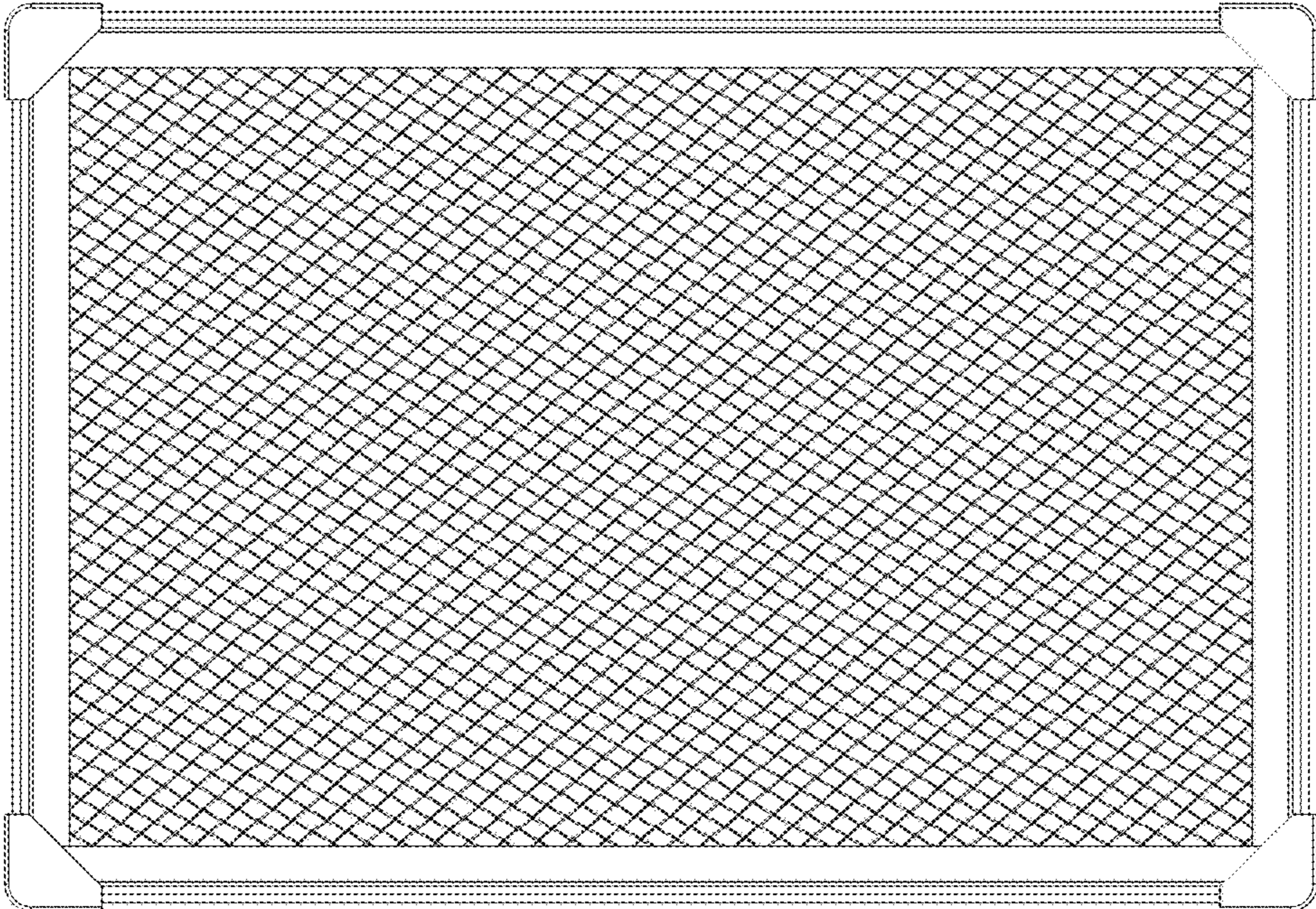


FIG. 4

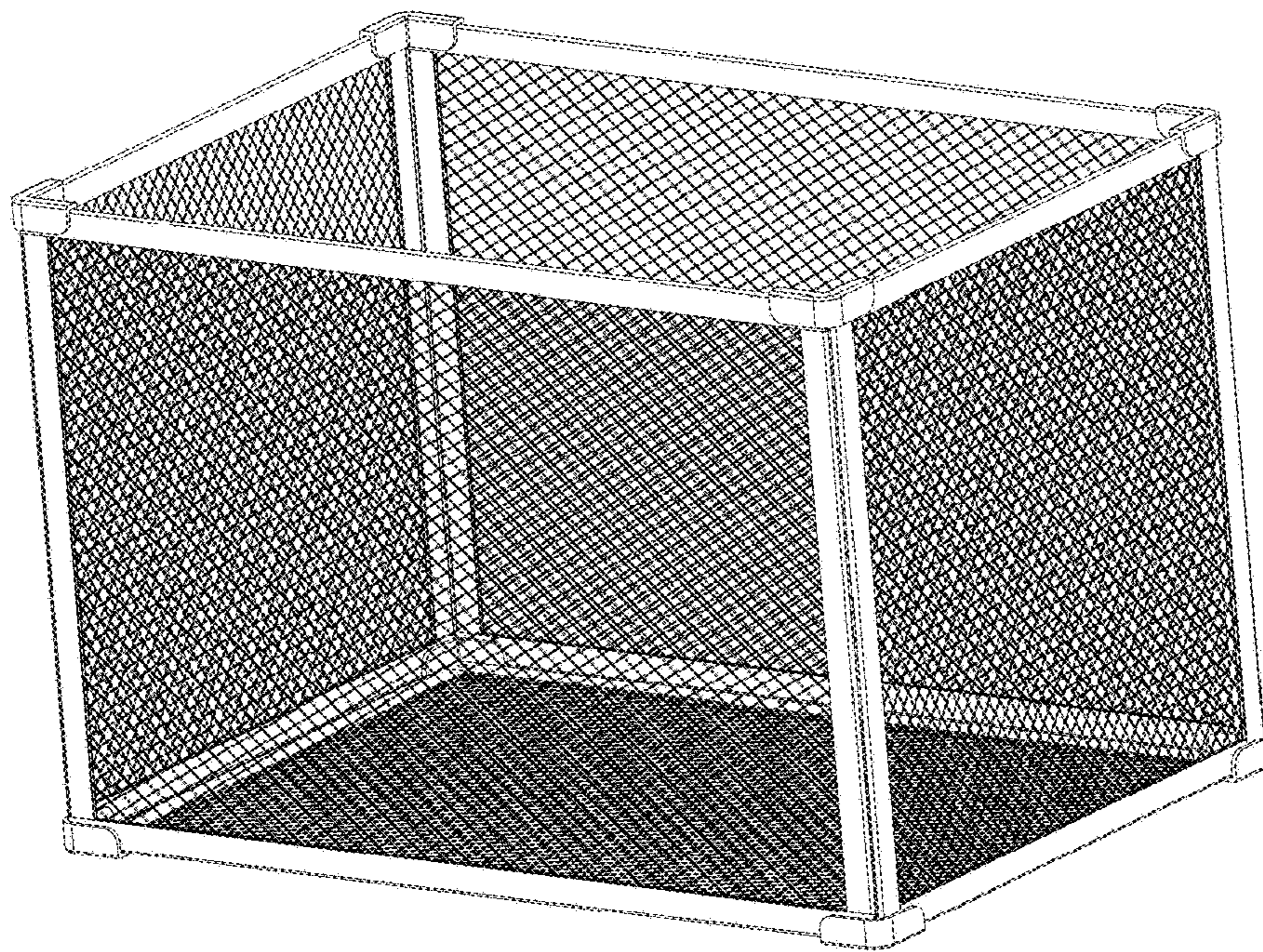


FIG. 5

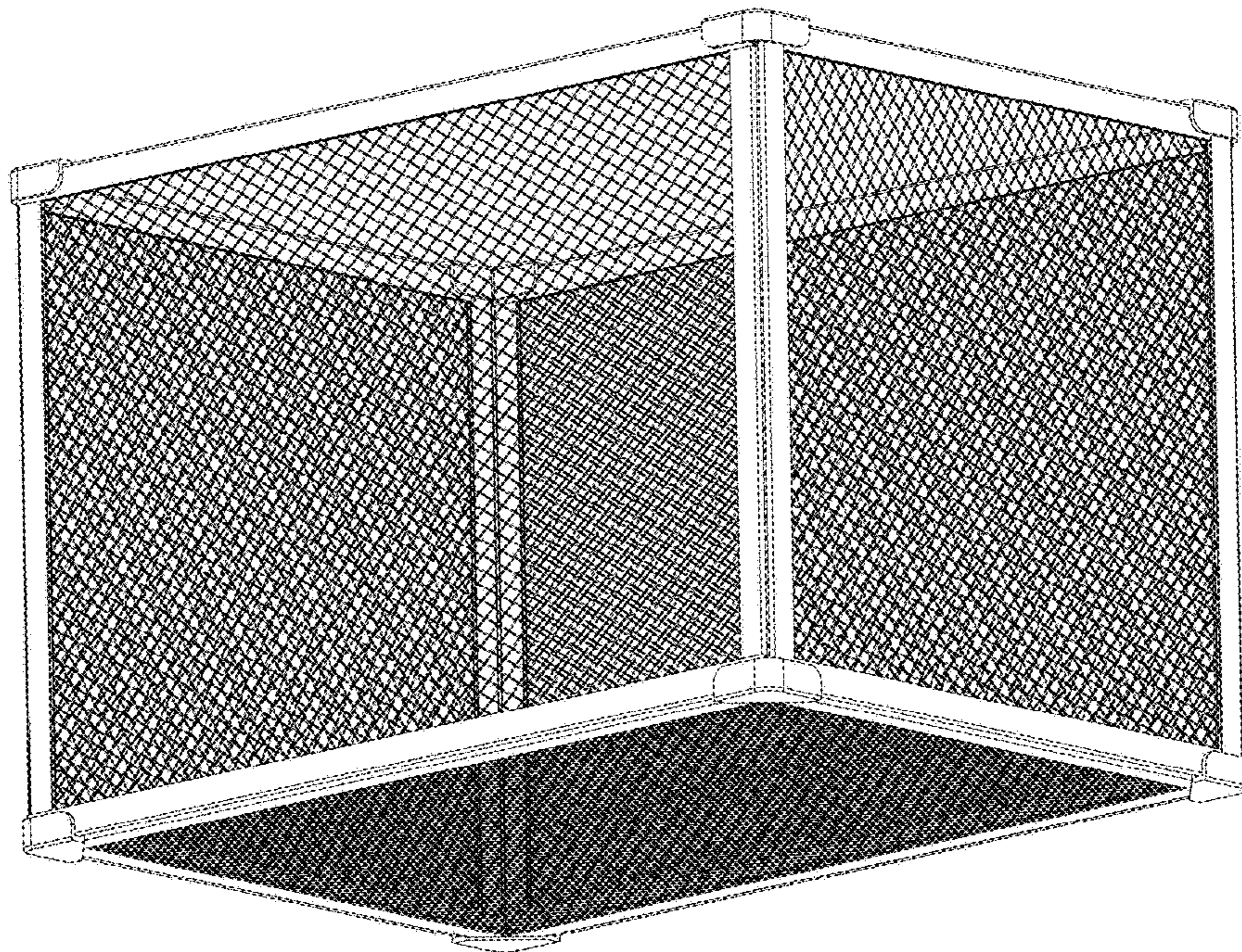


FIG. 6

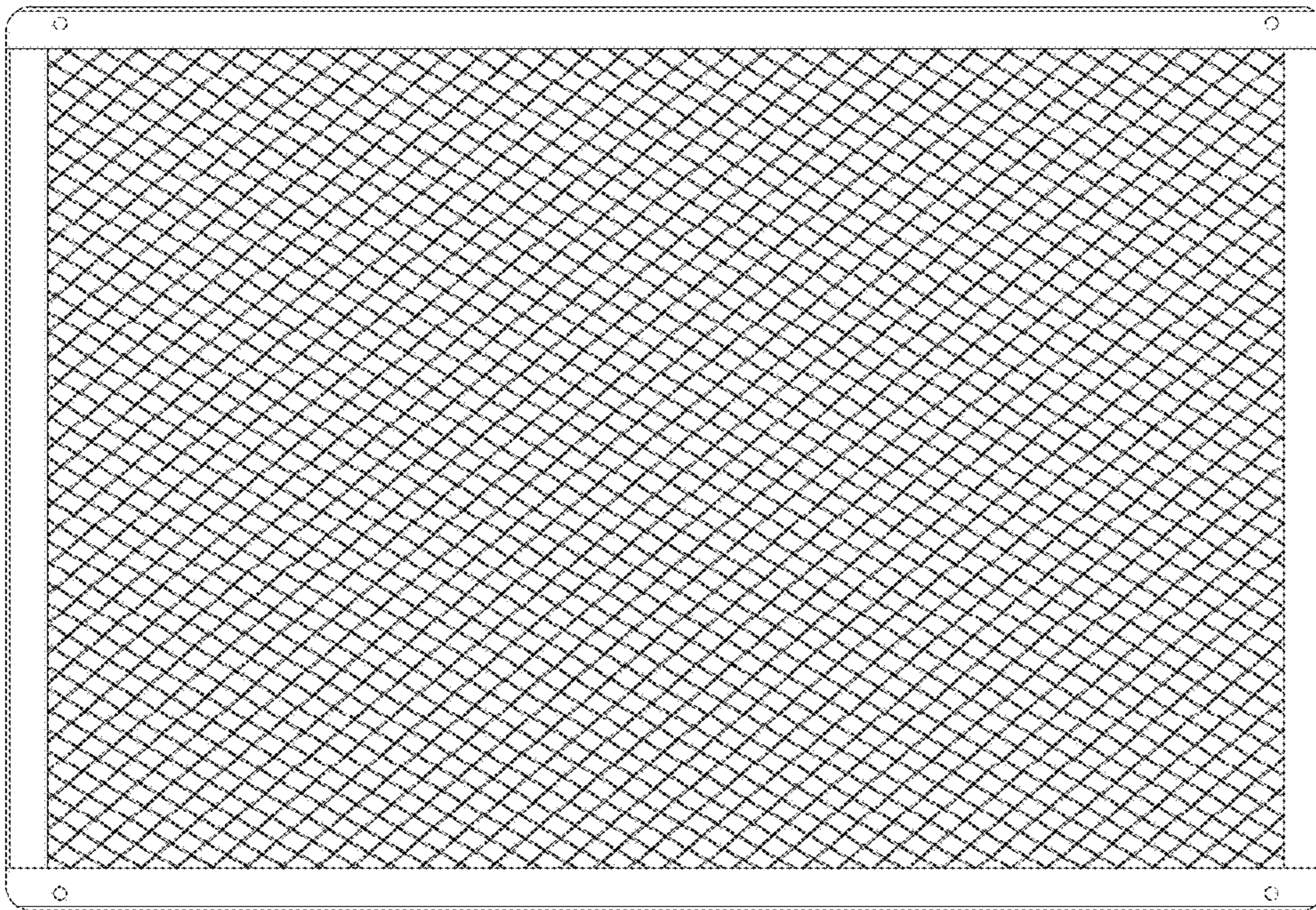


FIG. 7

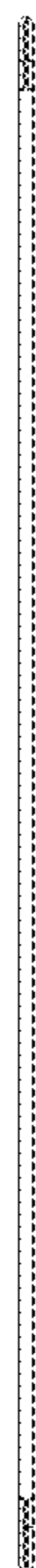


FIG. 8

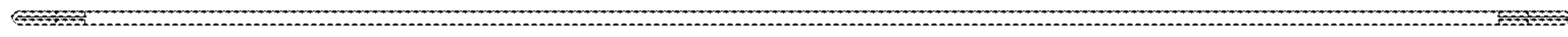


FIG. 9

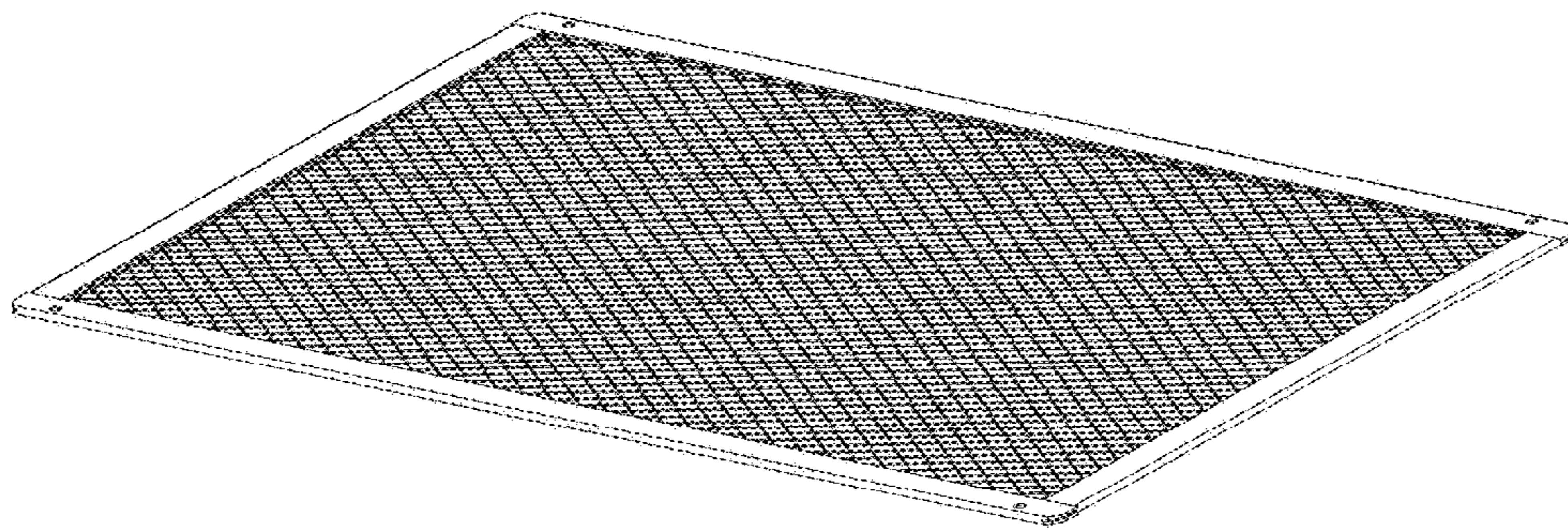


FIG. 10

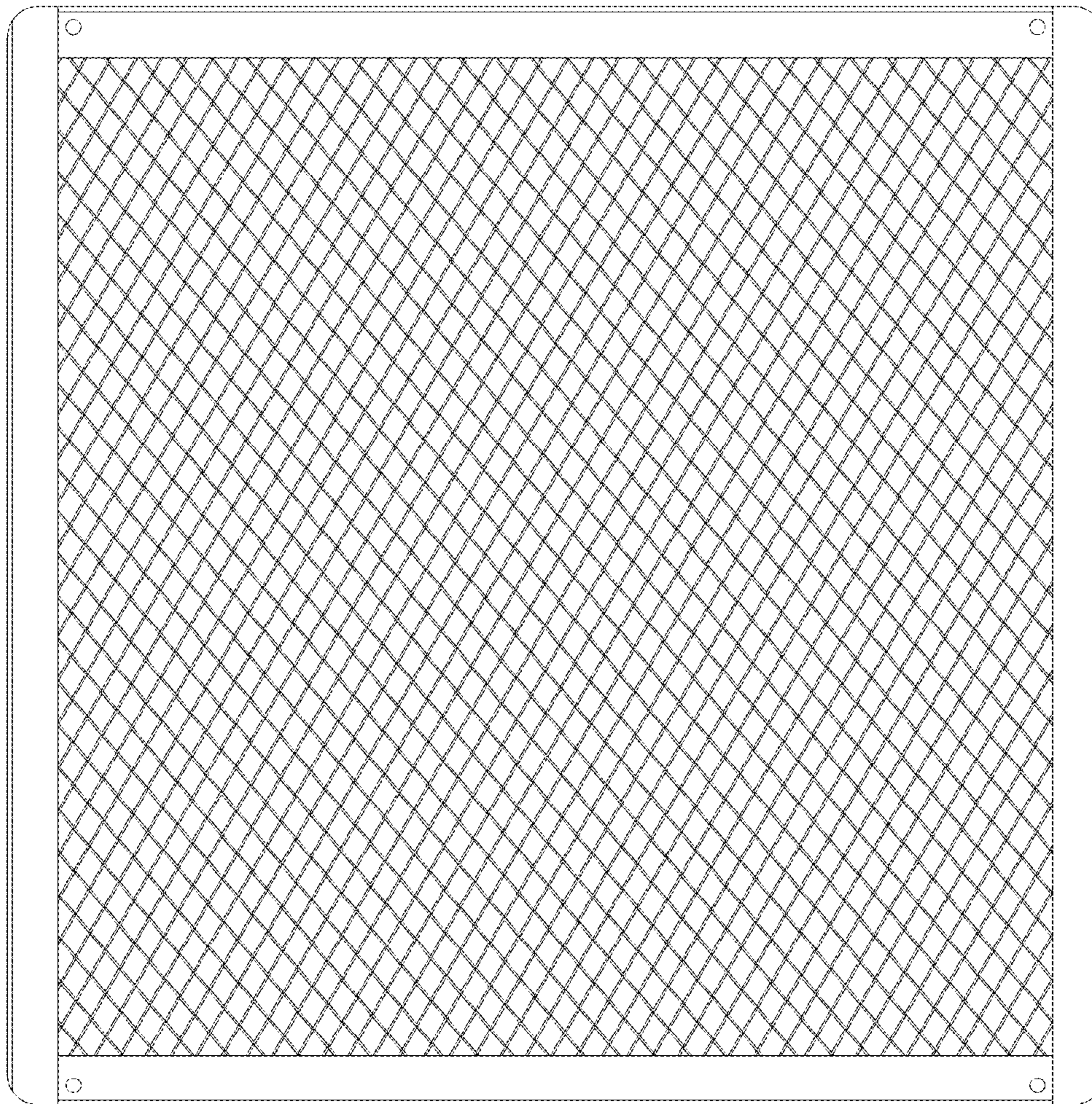


FIG. 11



FIG. 12

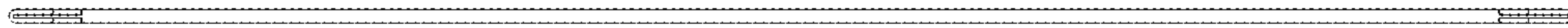


FIG. 13

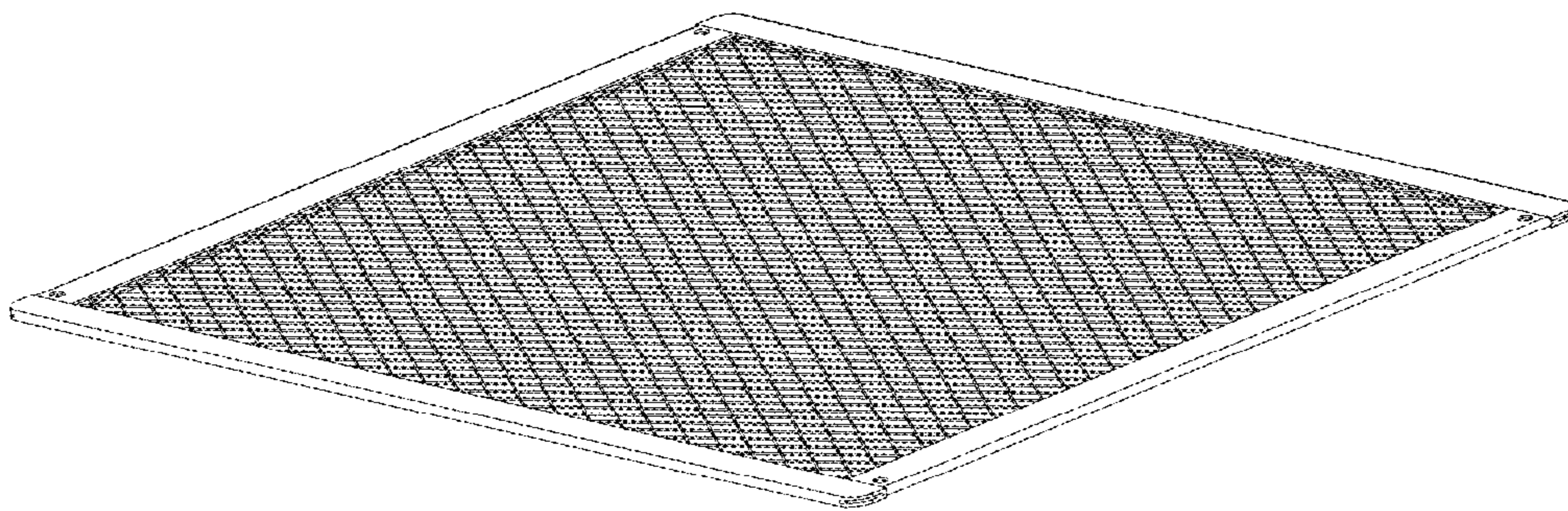


FIG. 14

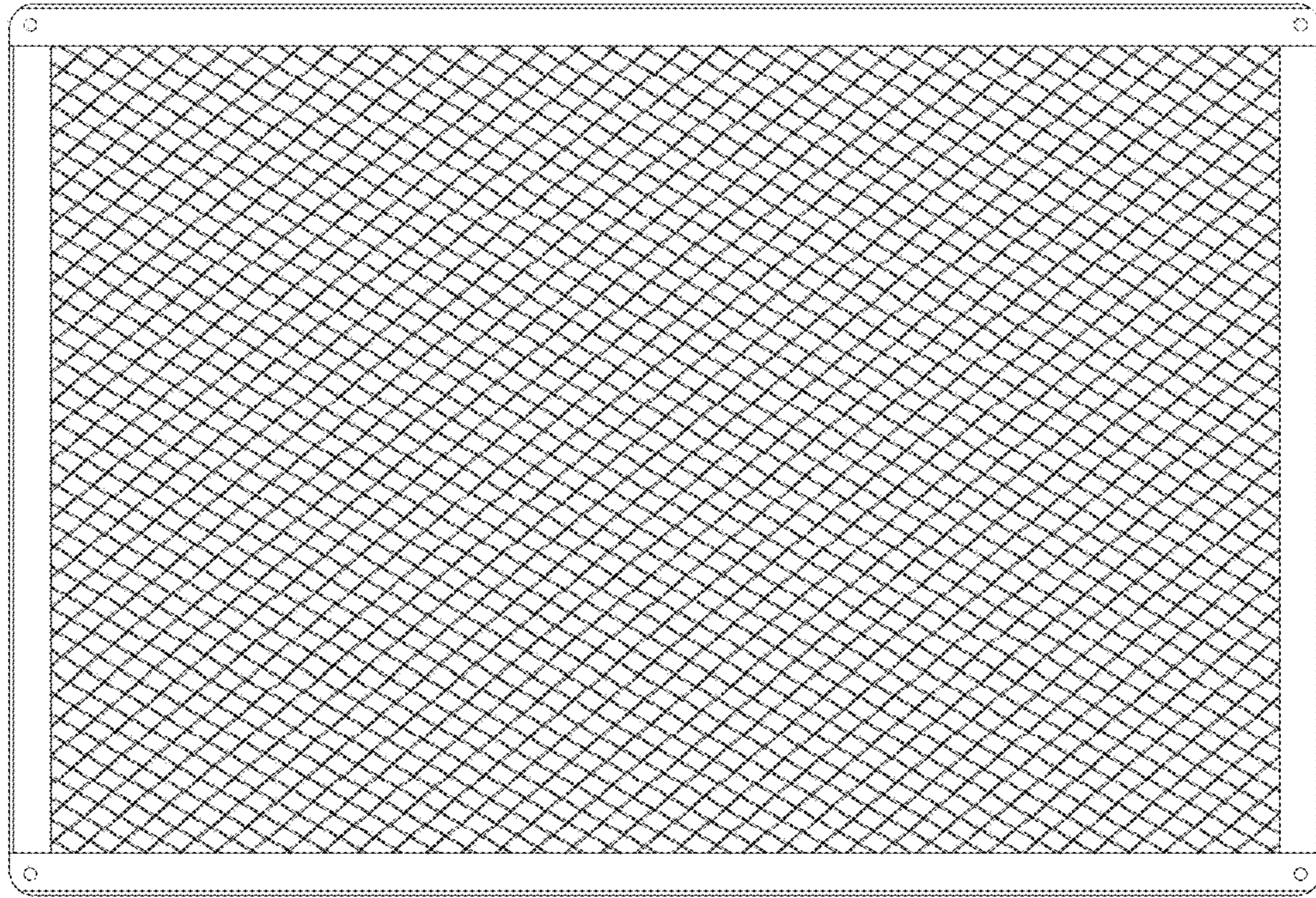


FIG. 15

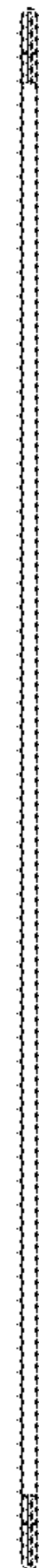


FIG. 16

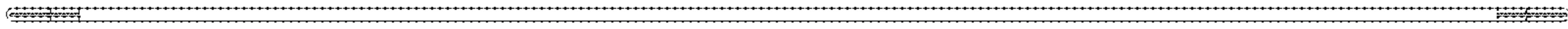


FIG. 17

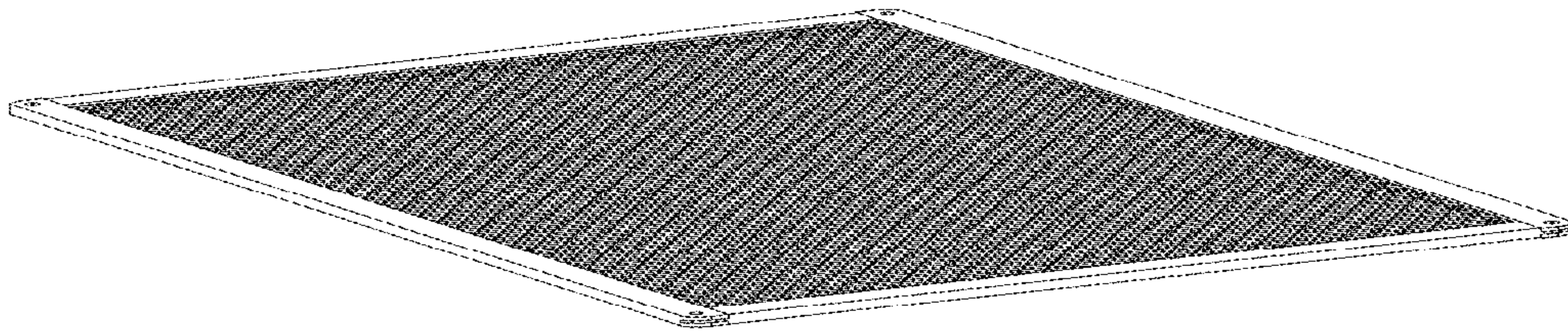


FIG. 18

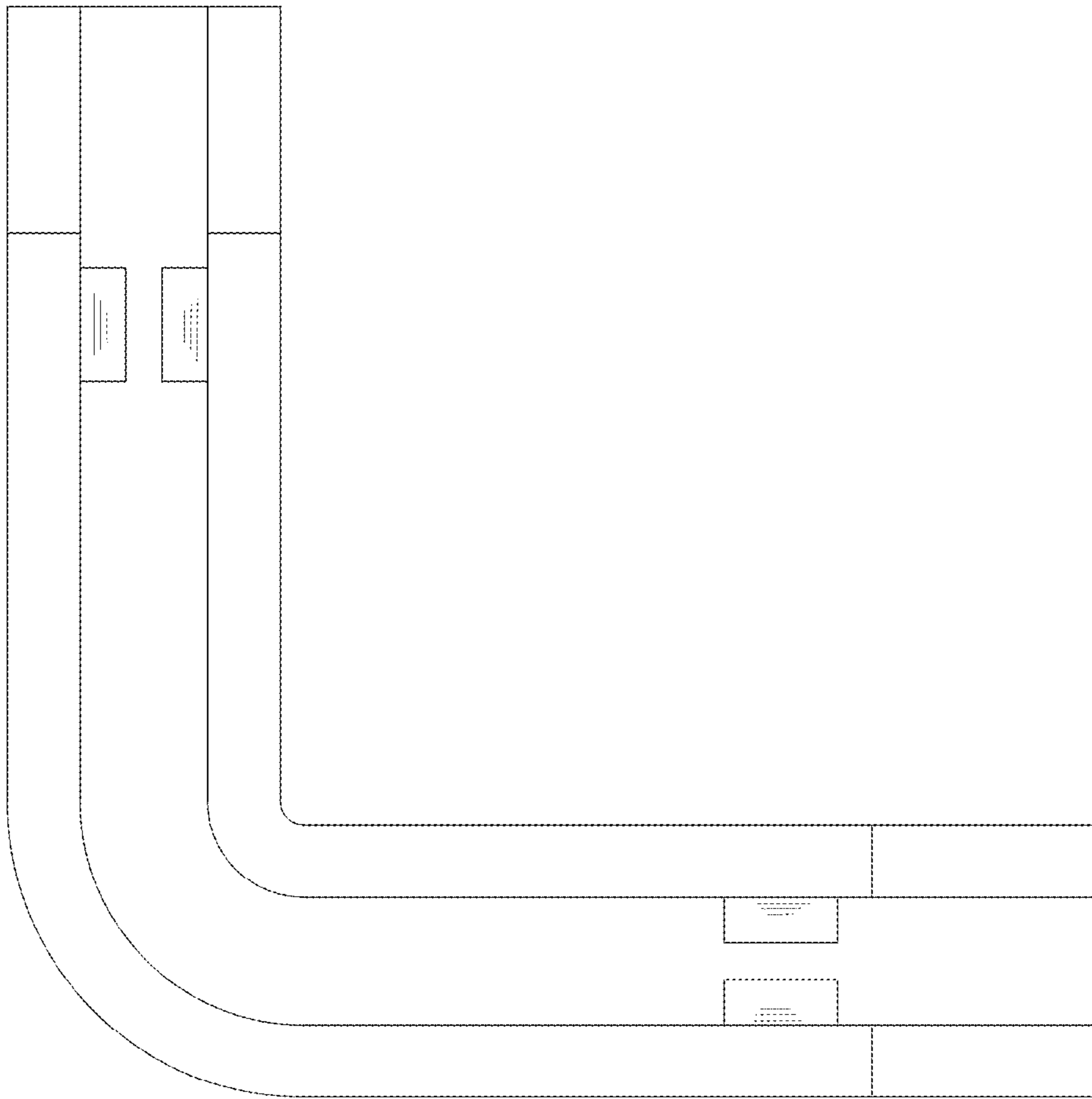


FIG. 19

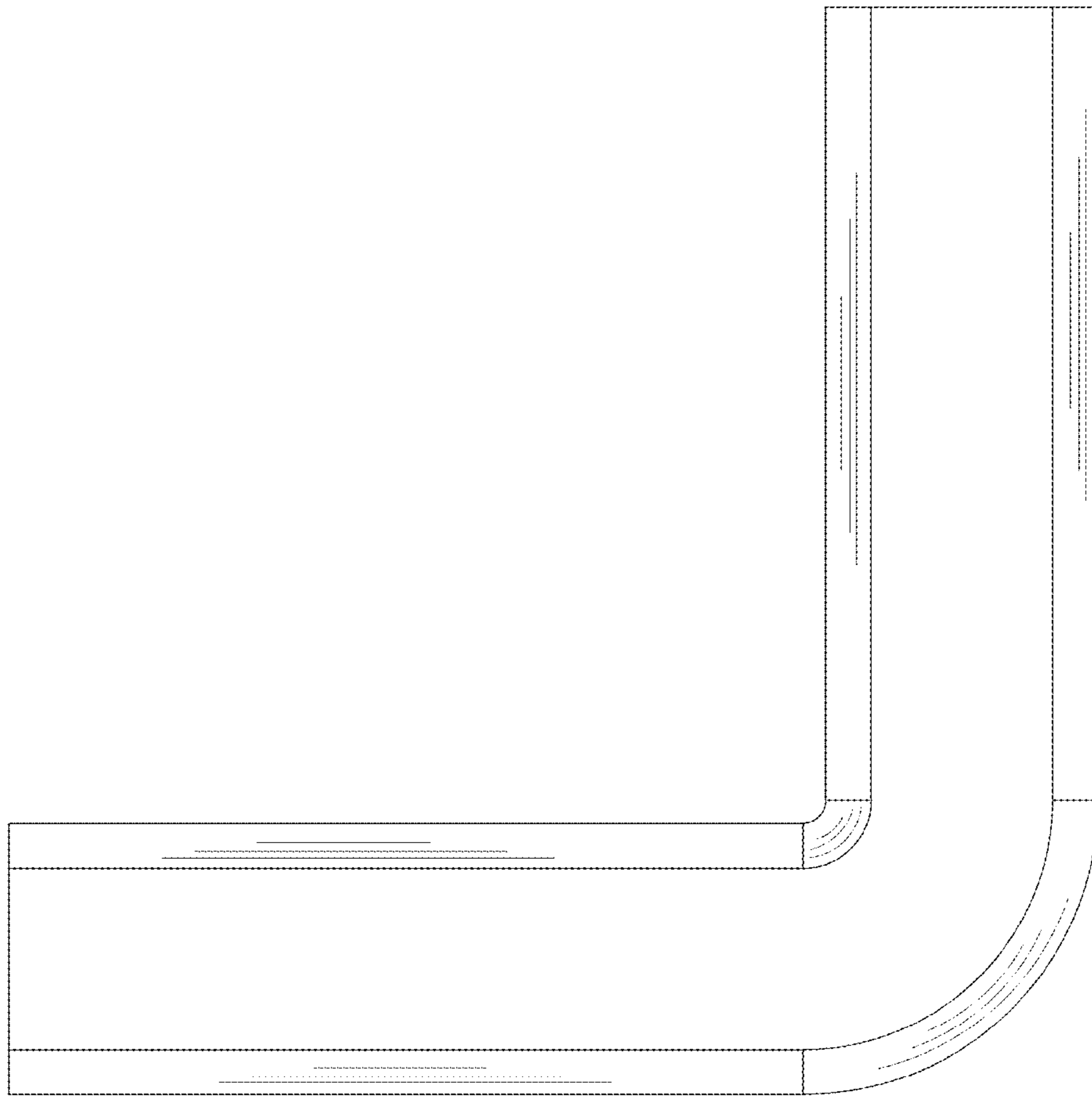


FIG. 20

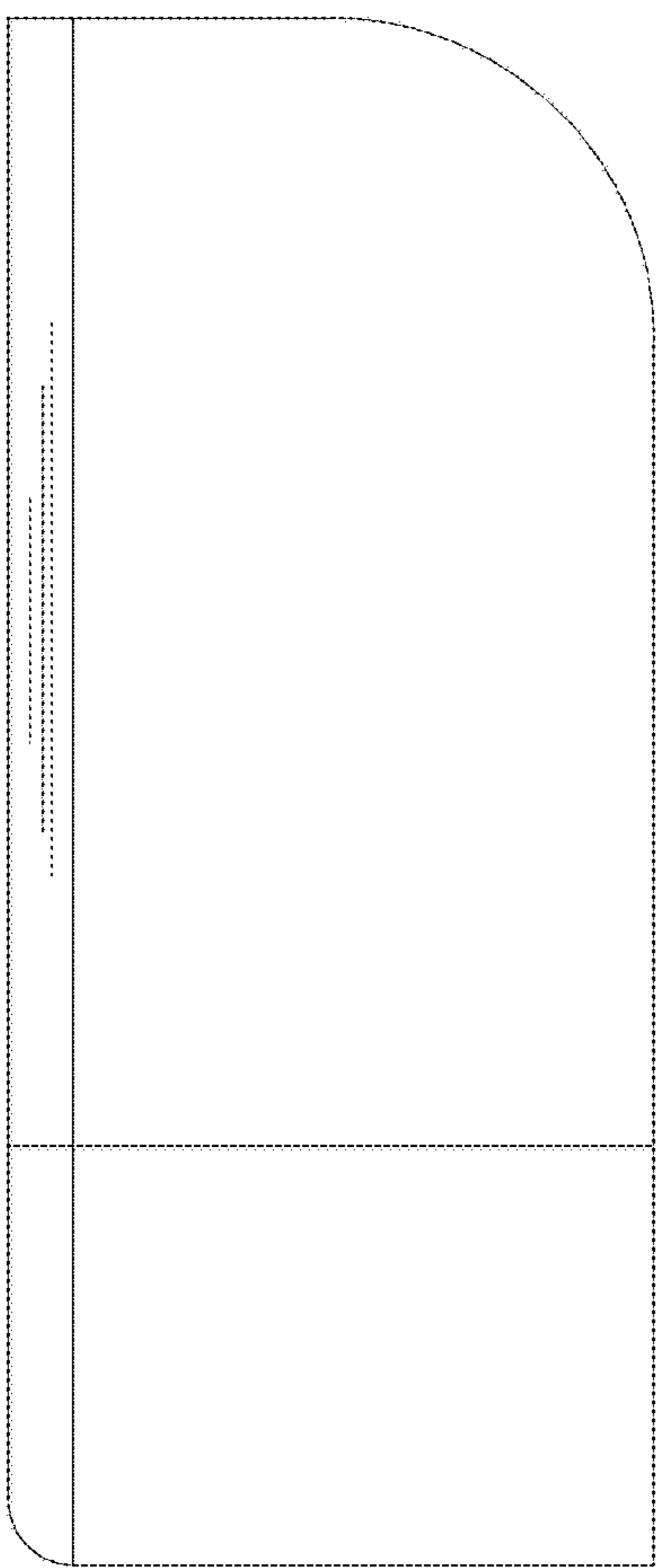


FIG. 21

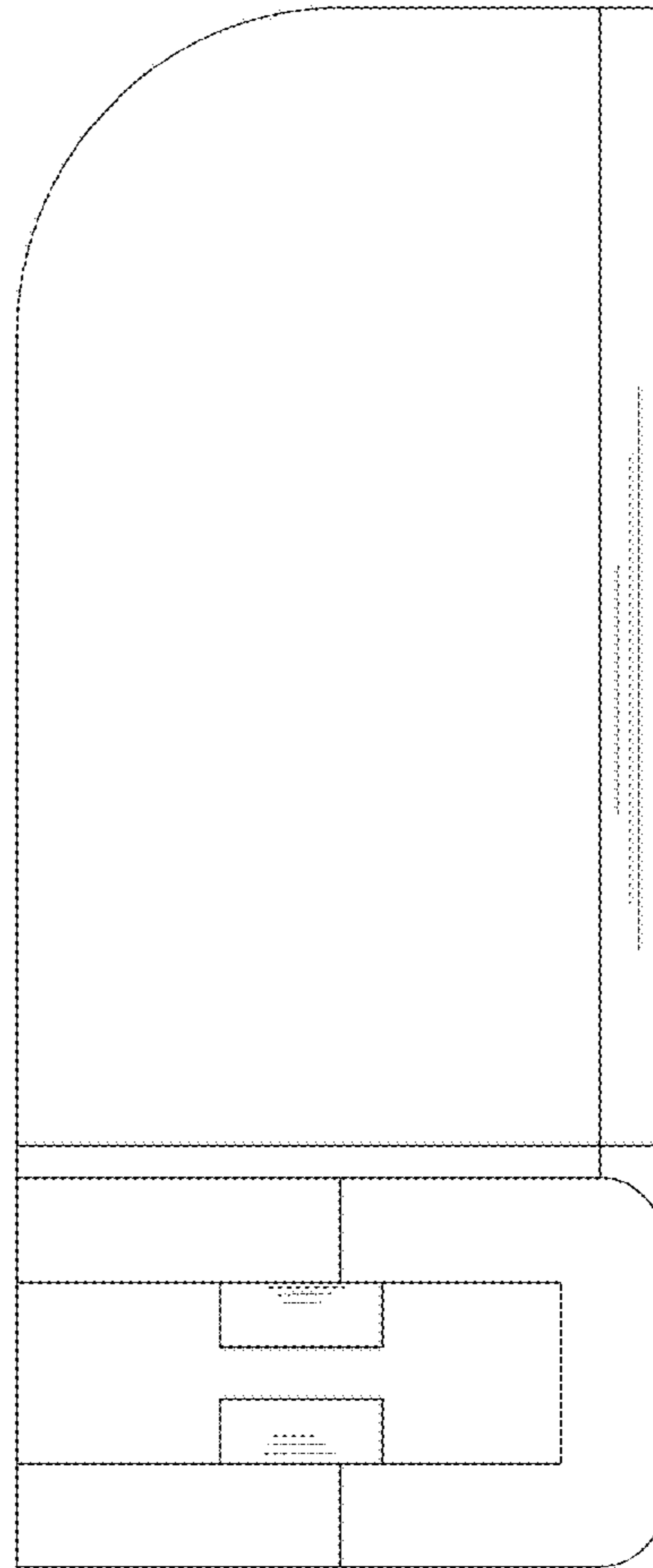


FIG. 22

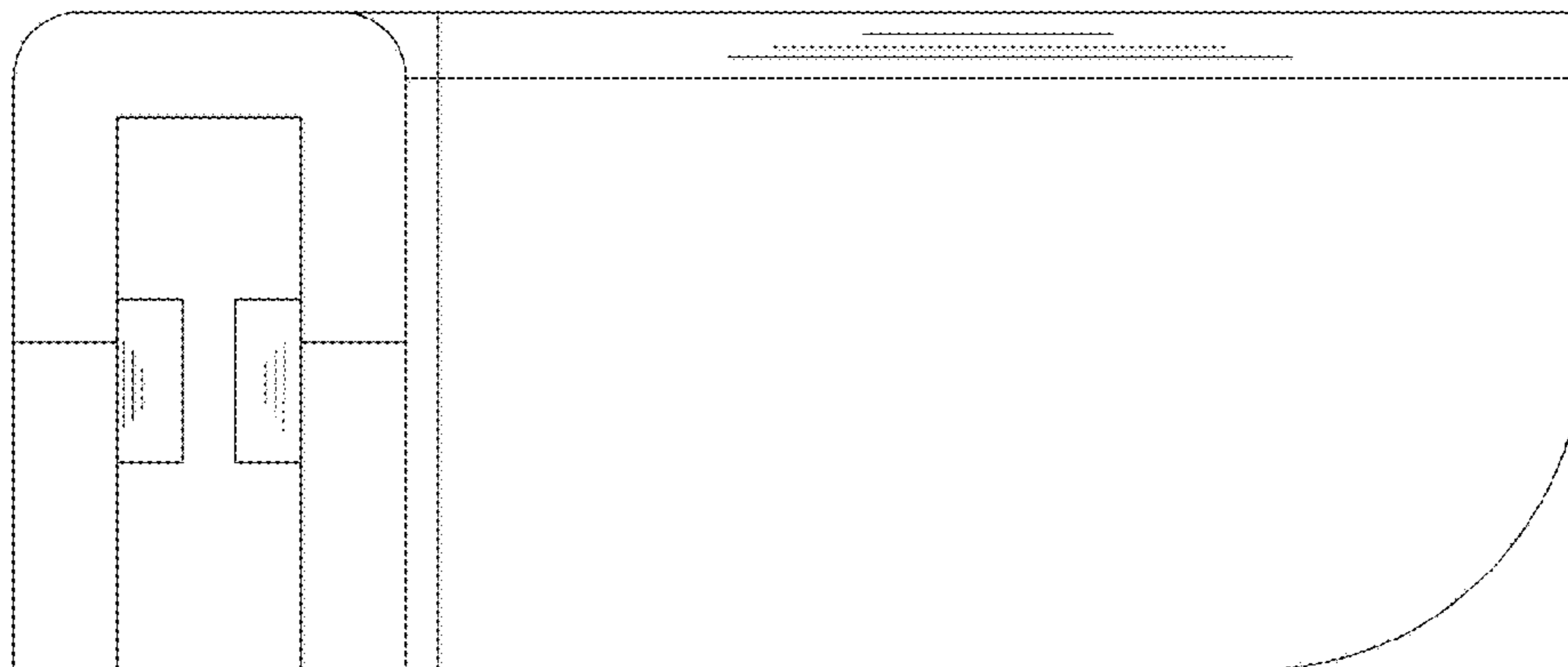


FIG. 23

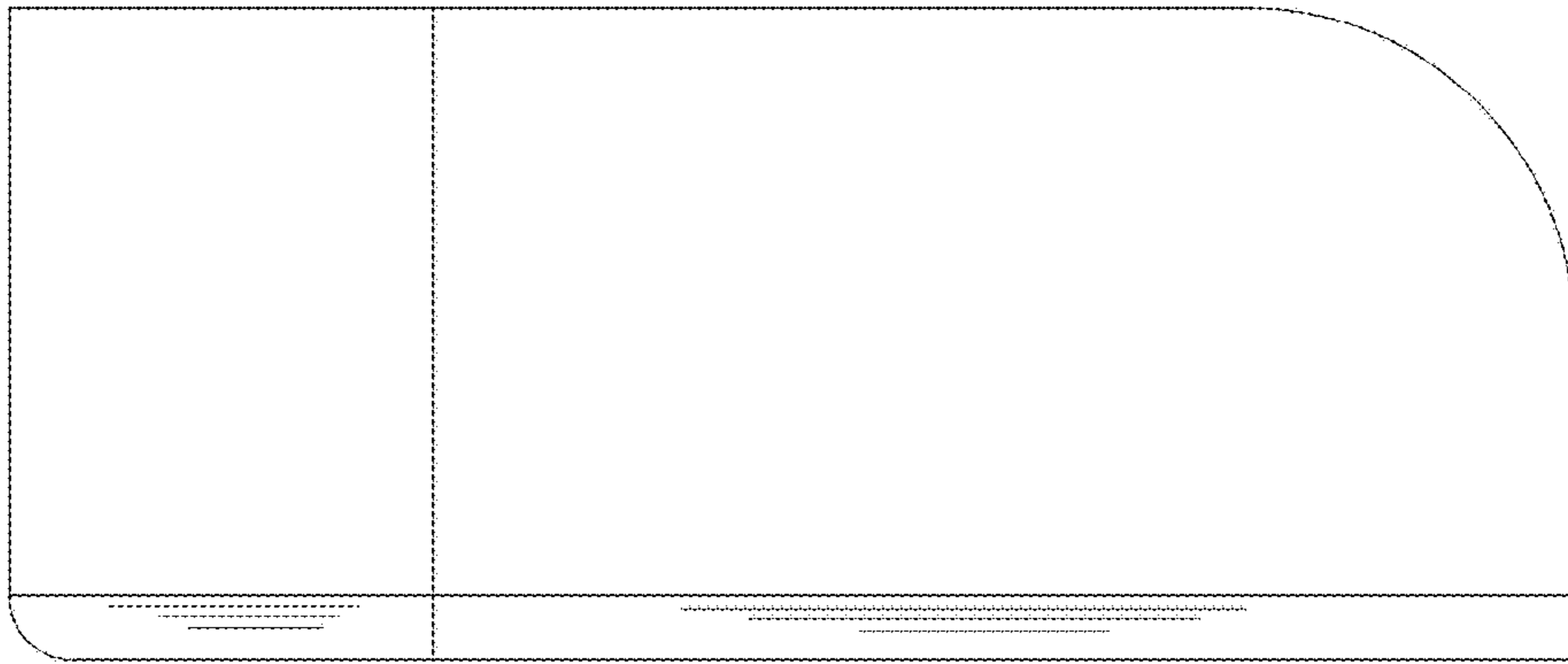


FIG. 24

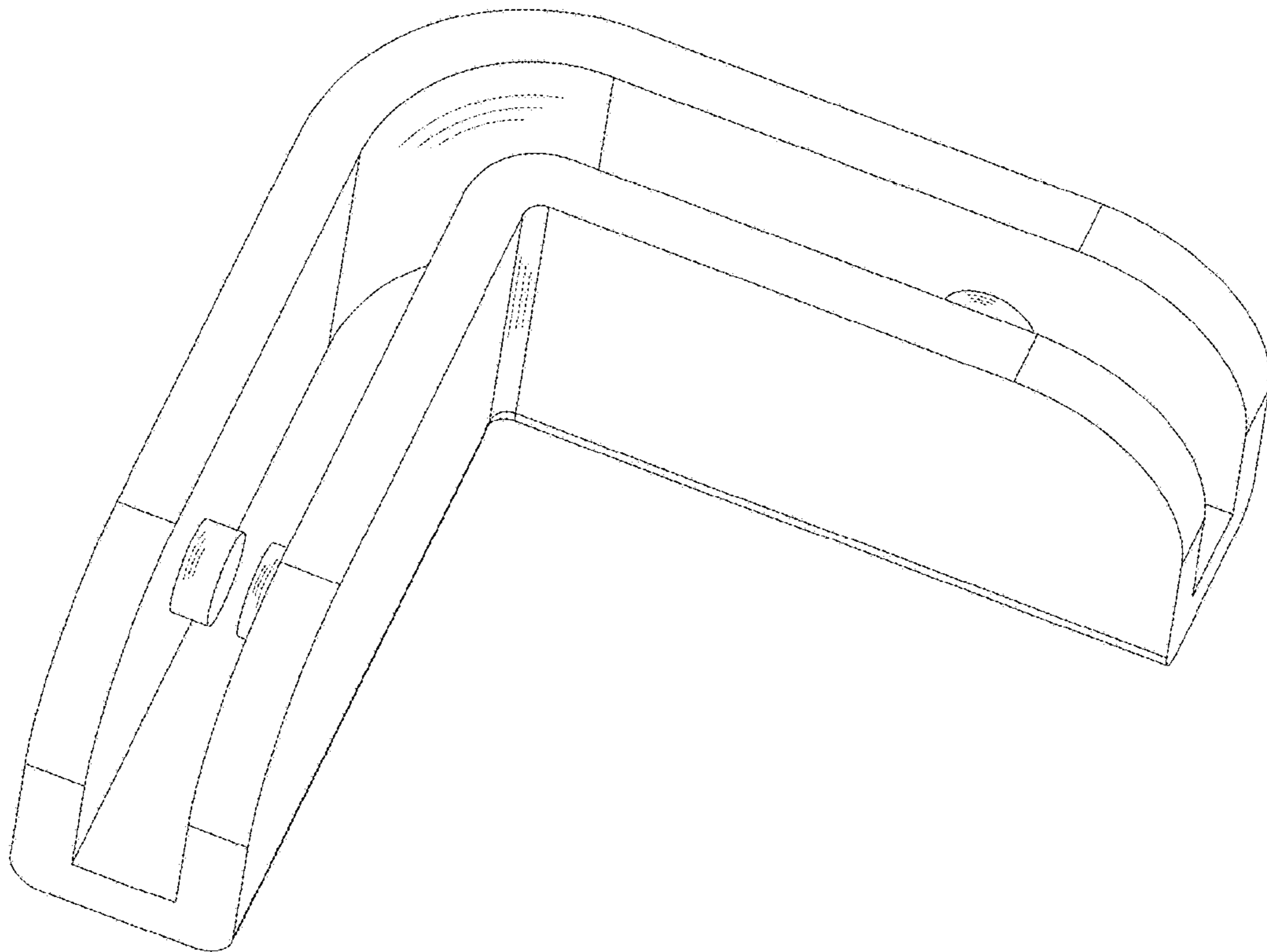


FIG. 25

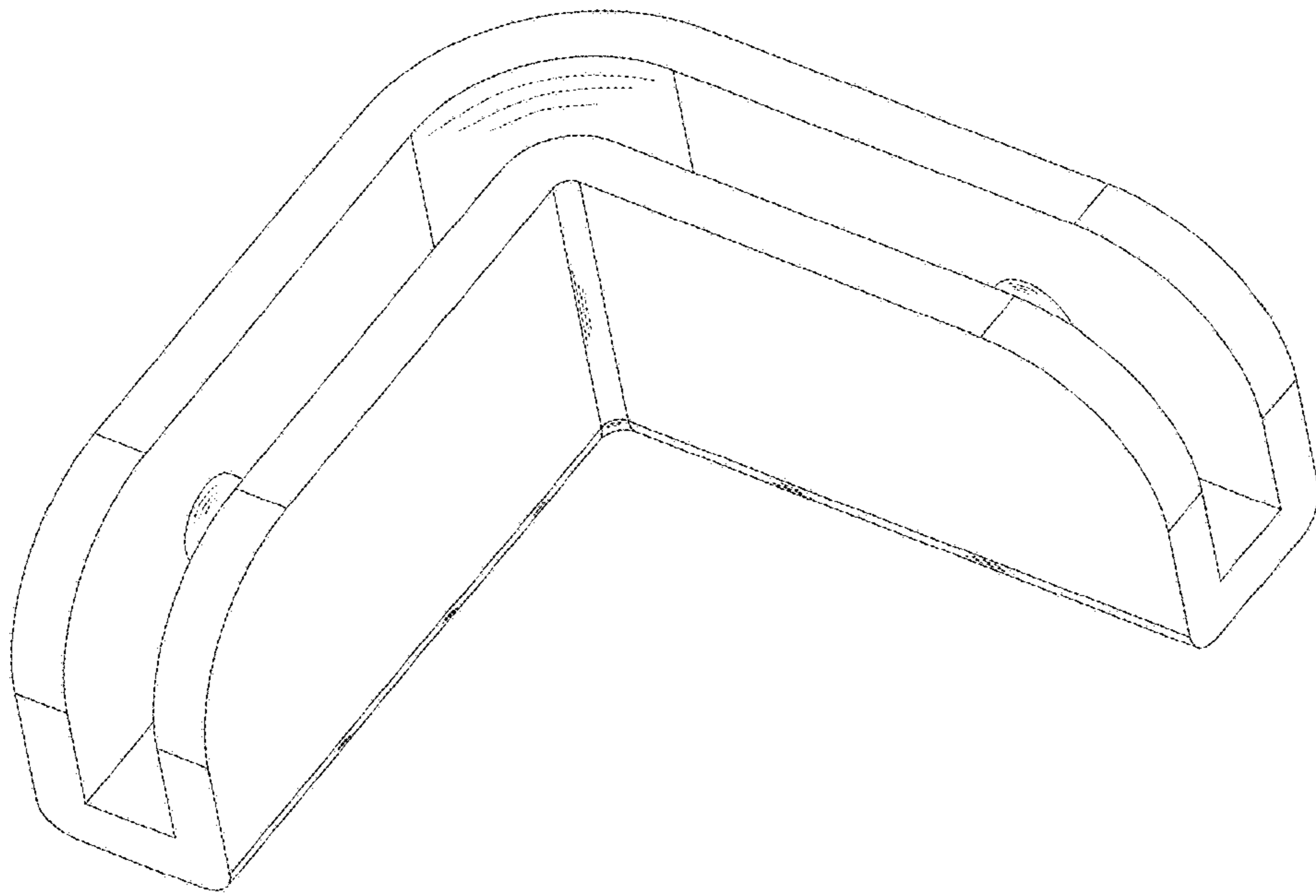


FIG. 26

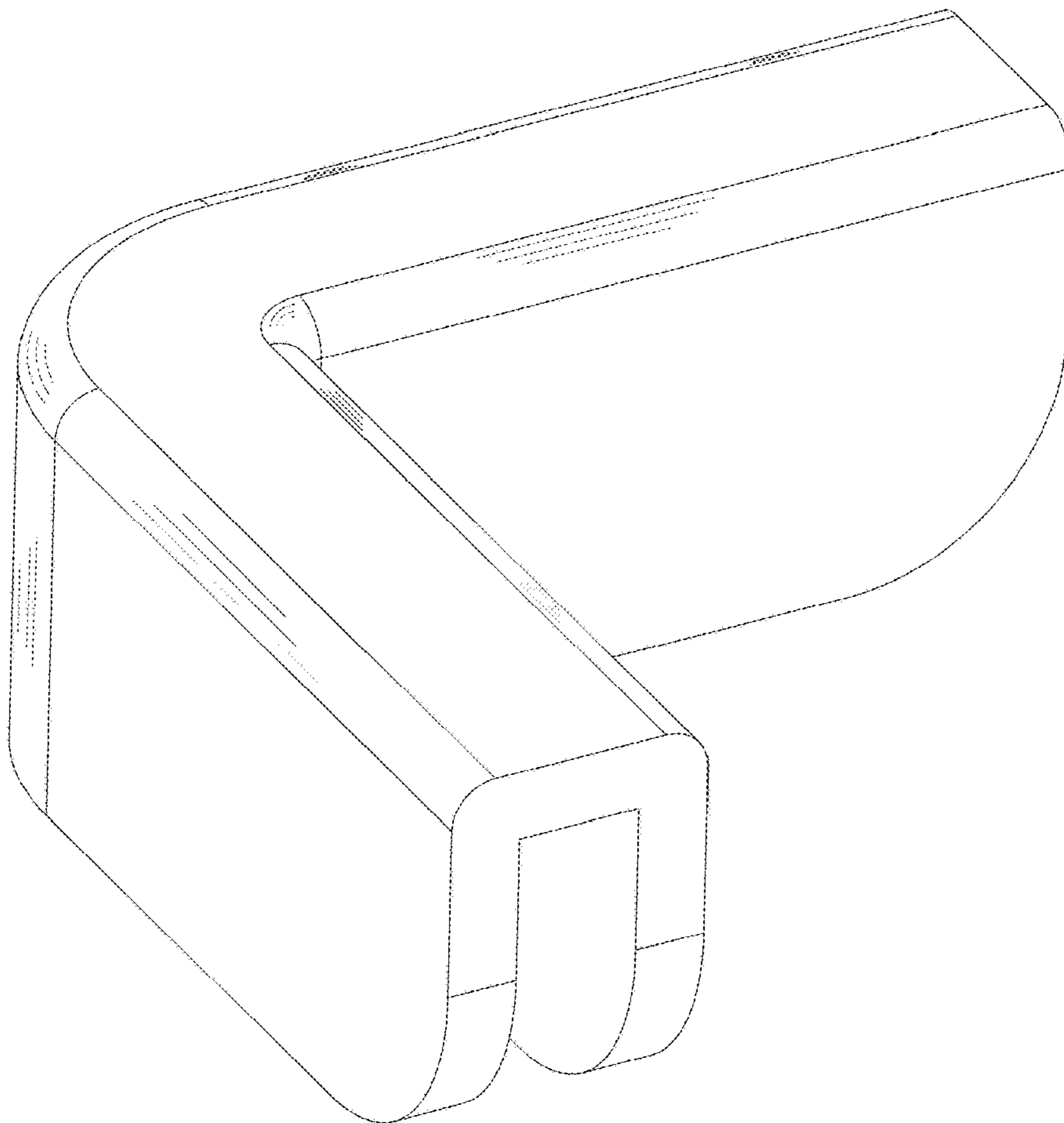


FIG. 27

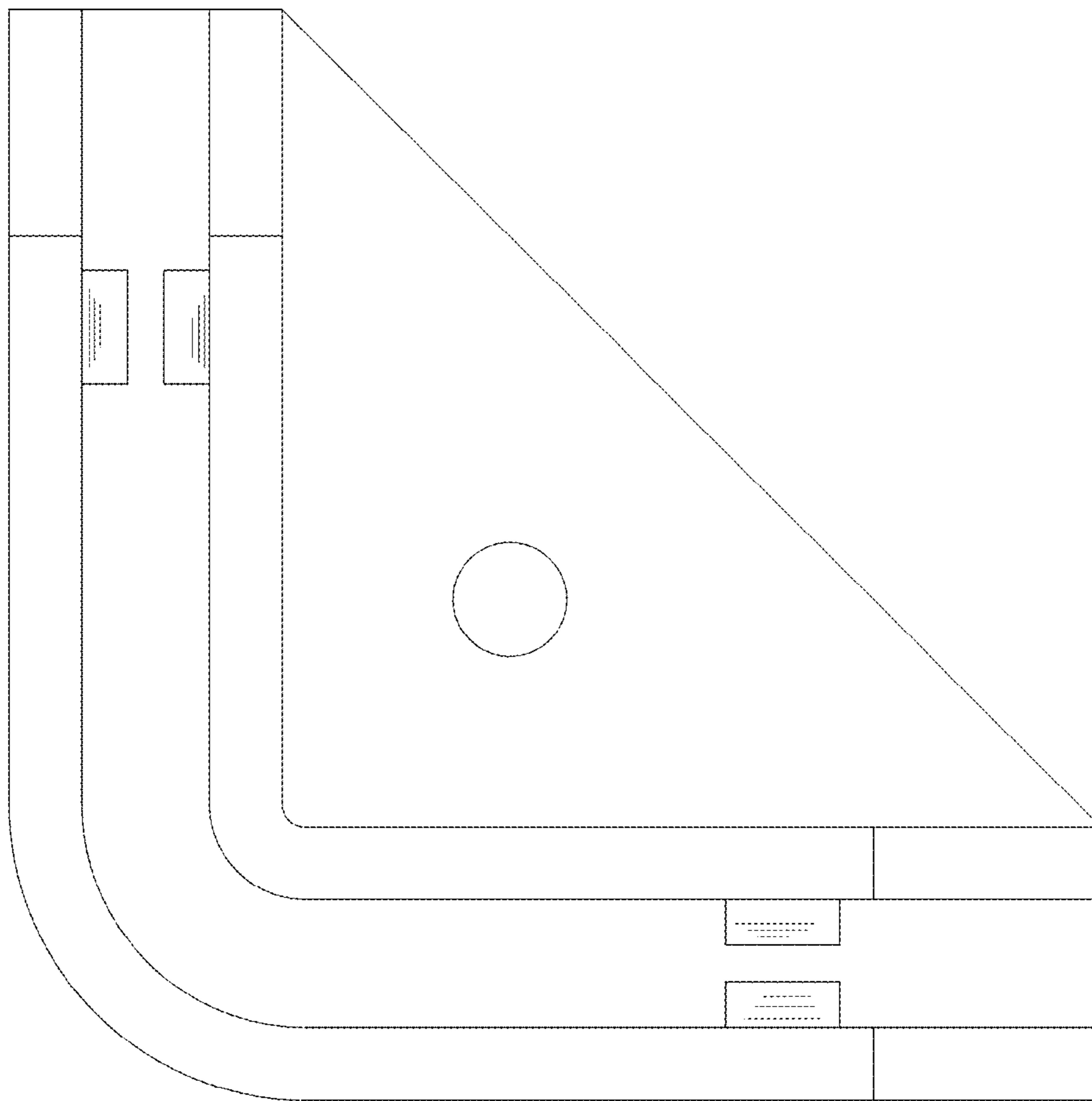


FIG. 28

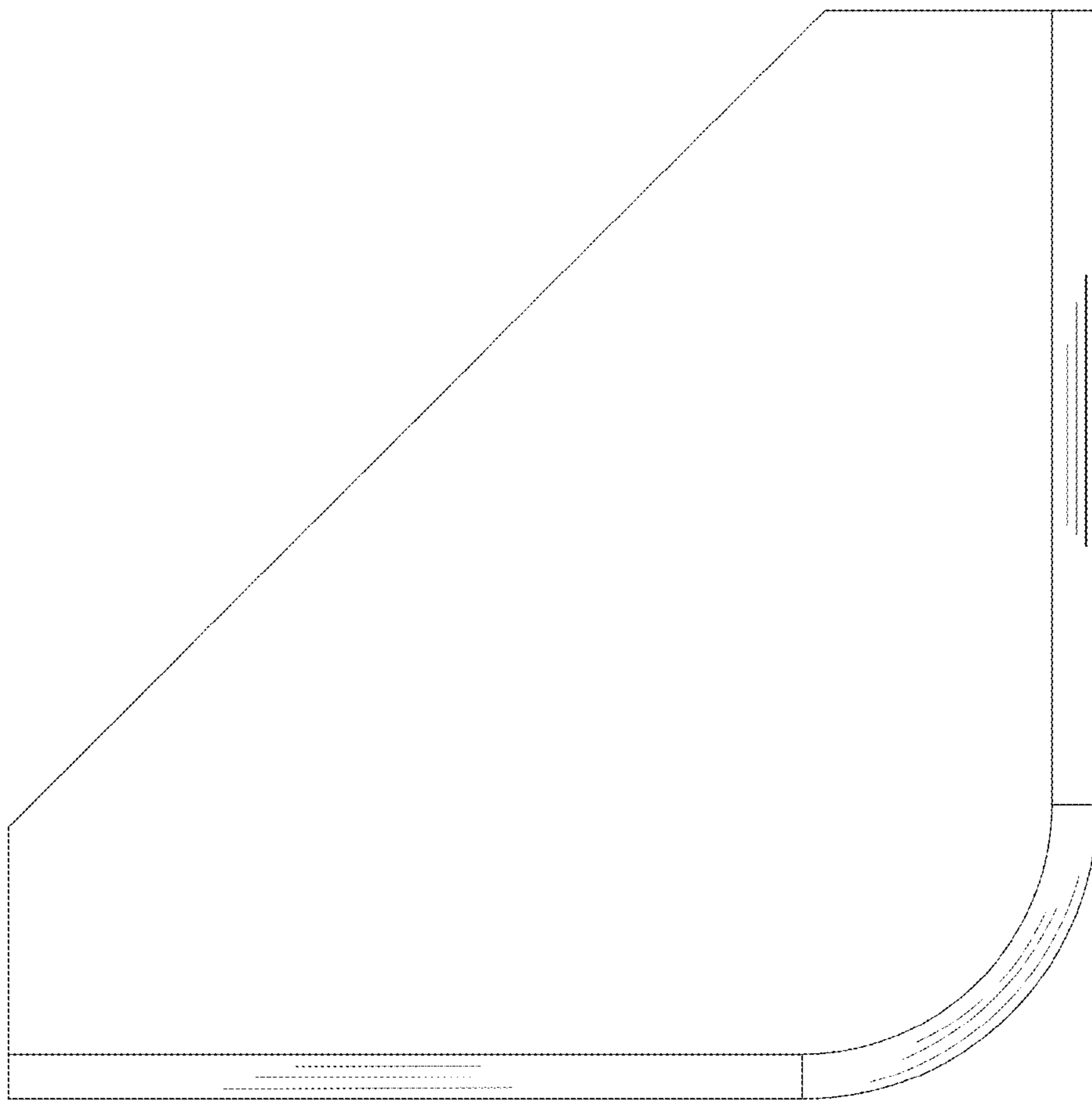


FIG. 29

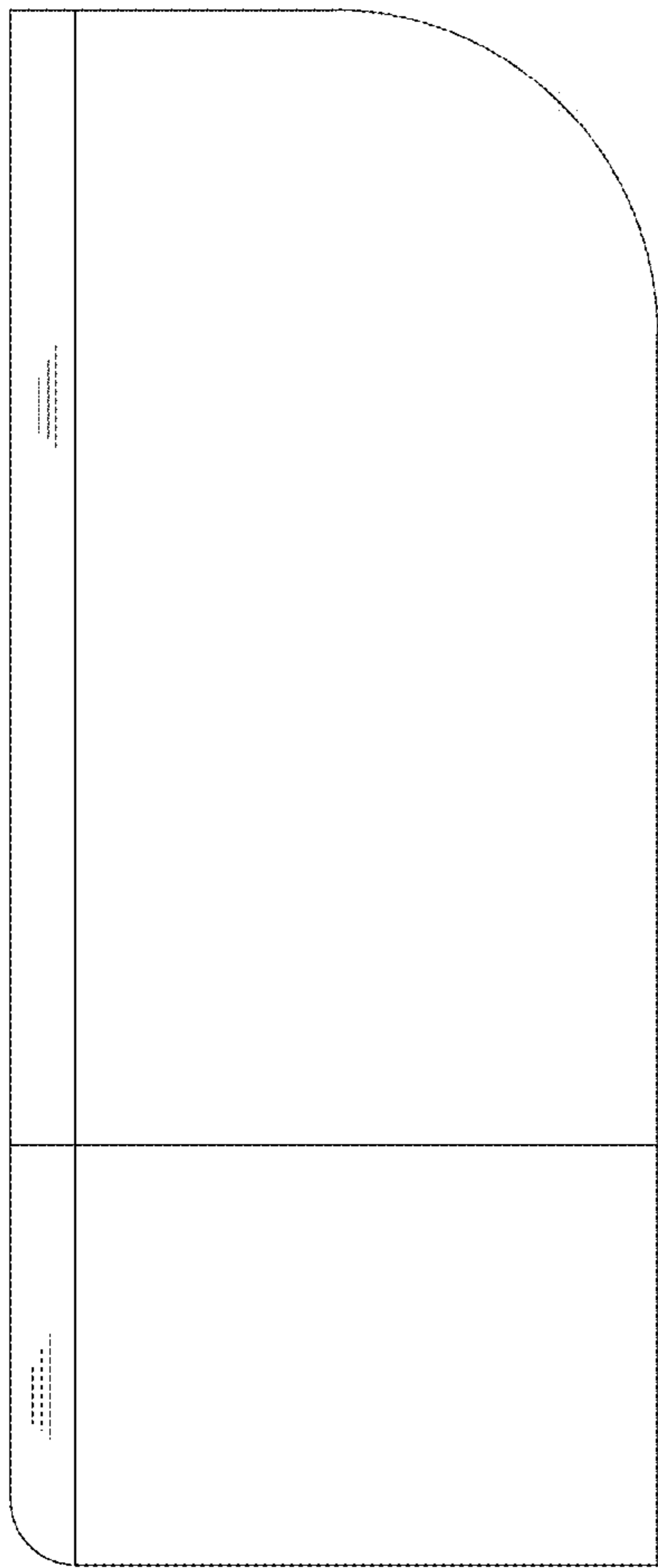


FIG. 30

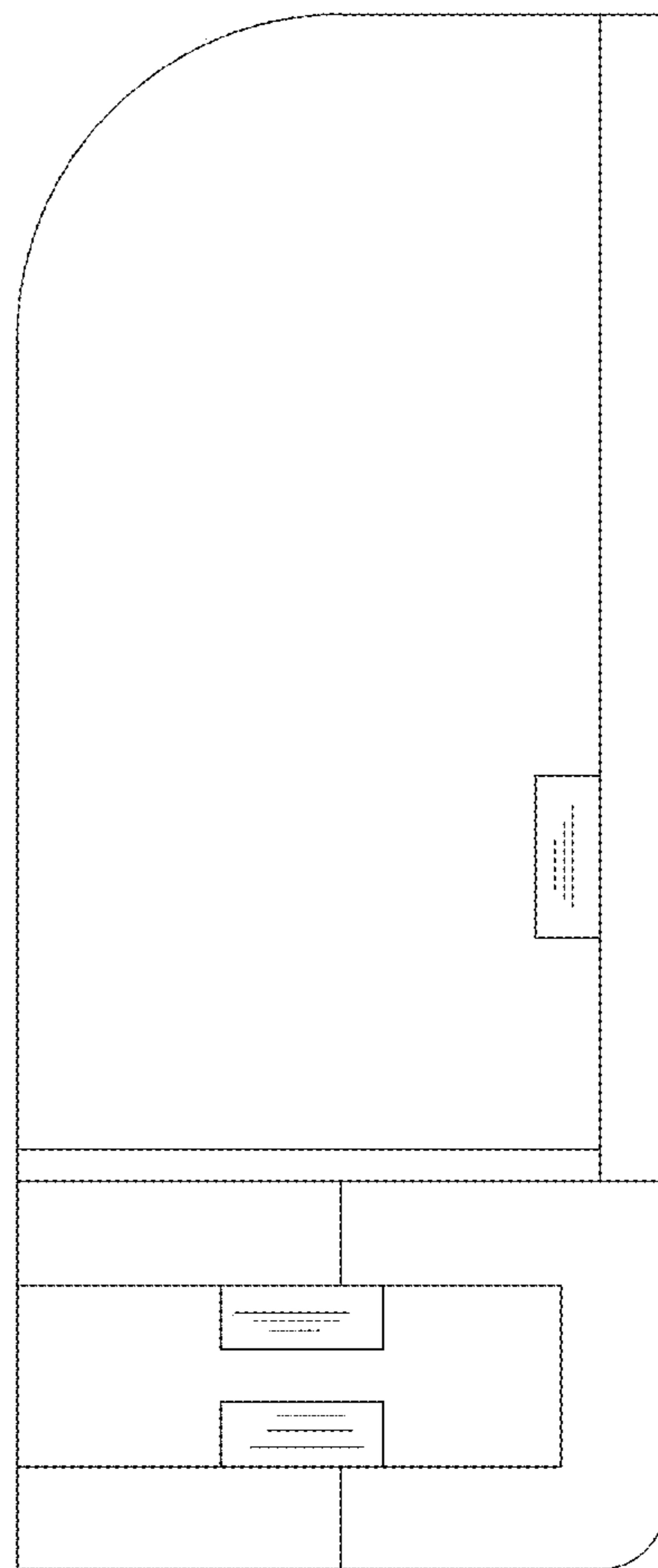


FIG. 31

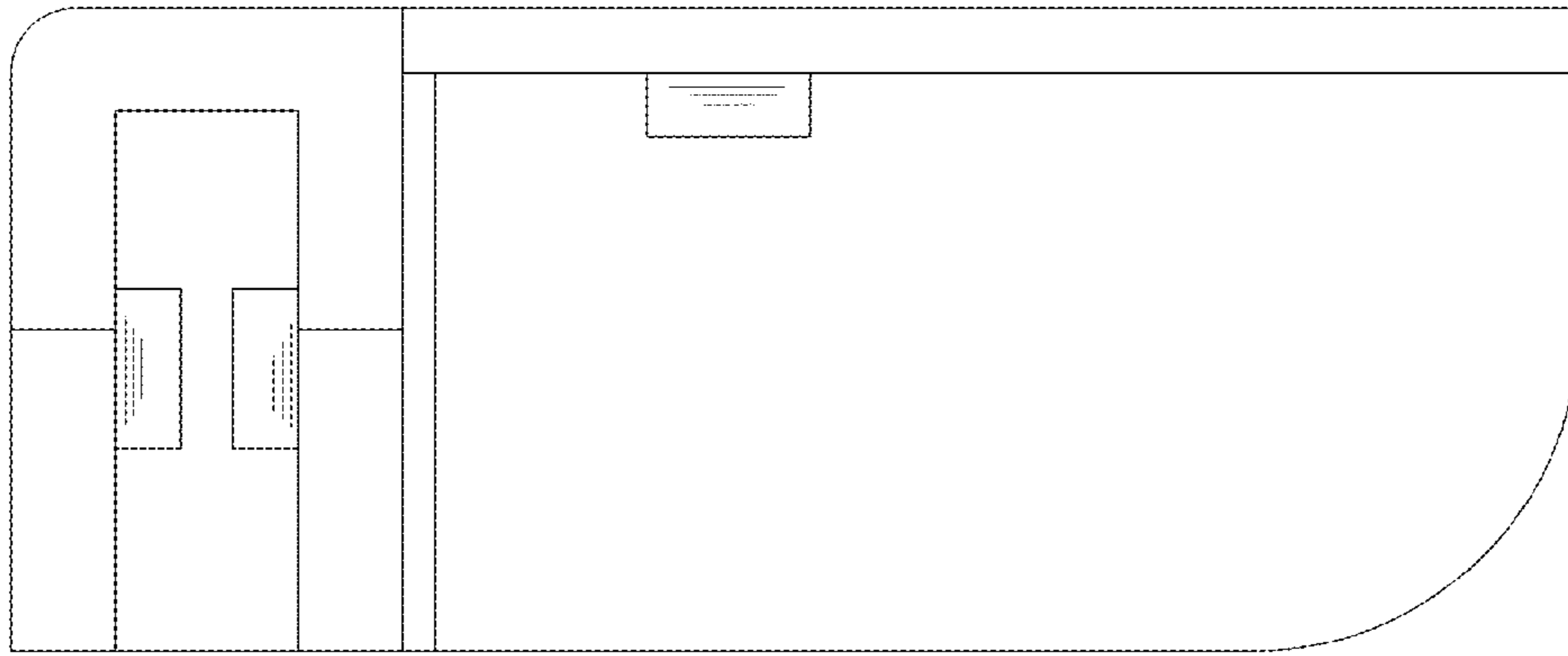


FIG. 32

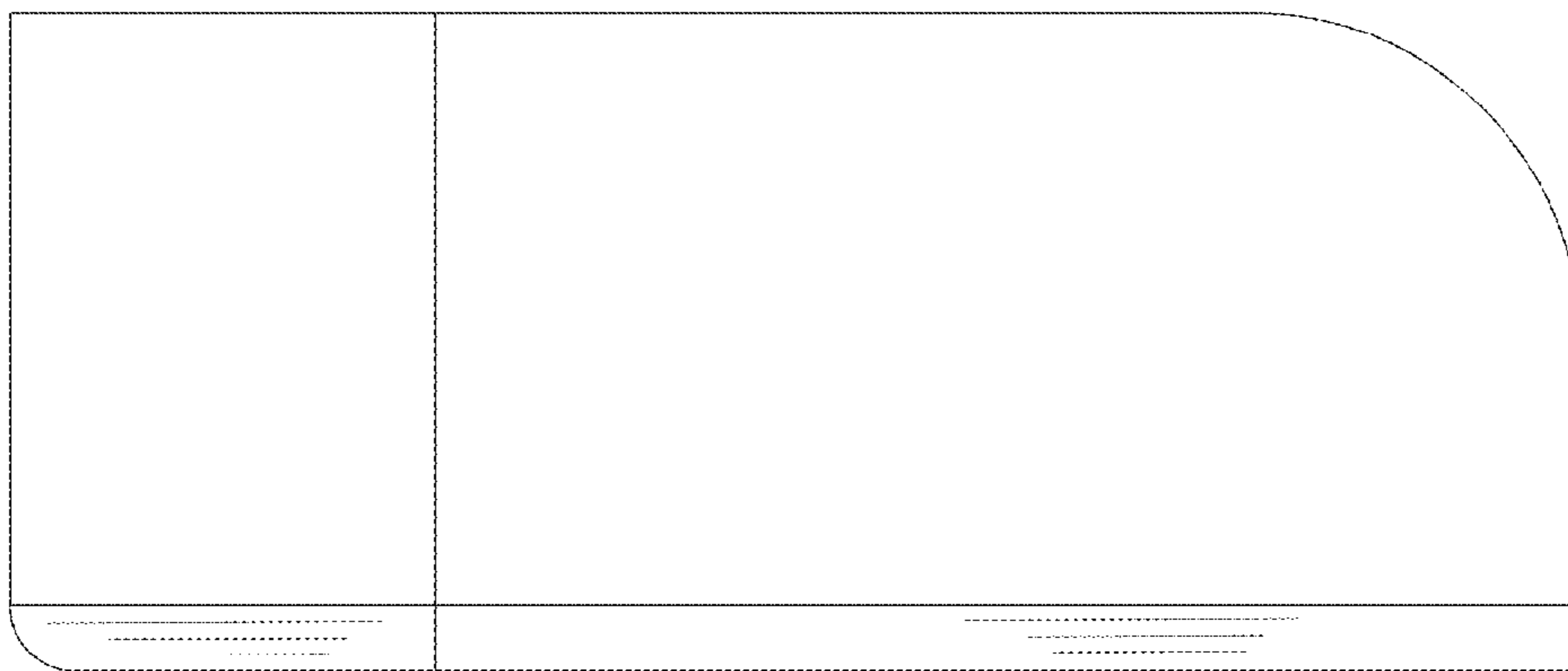


FIG. 33

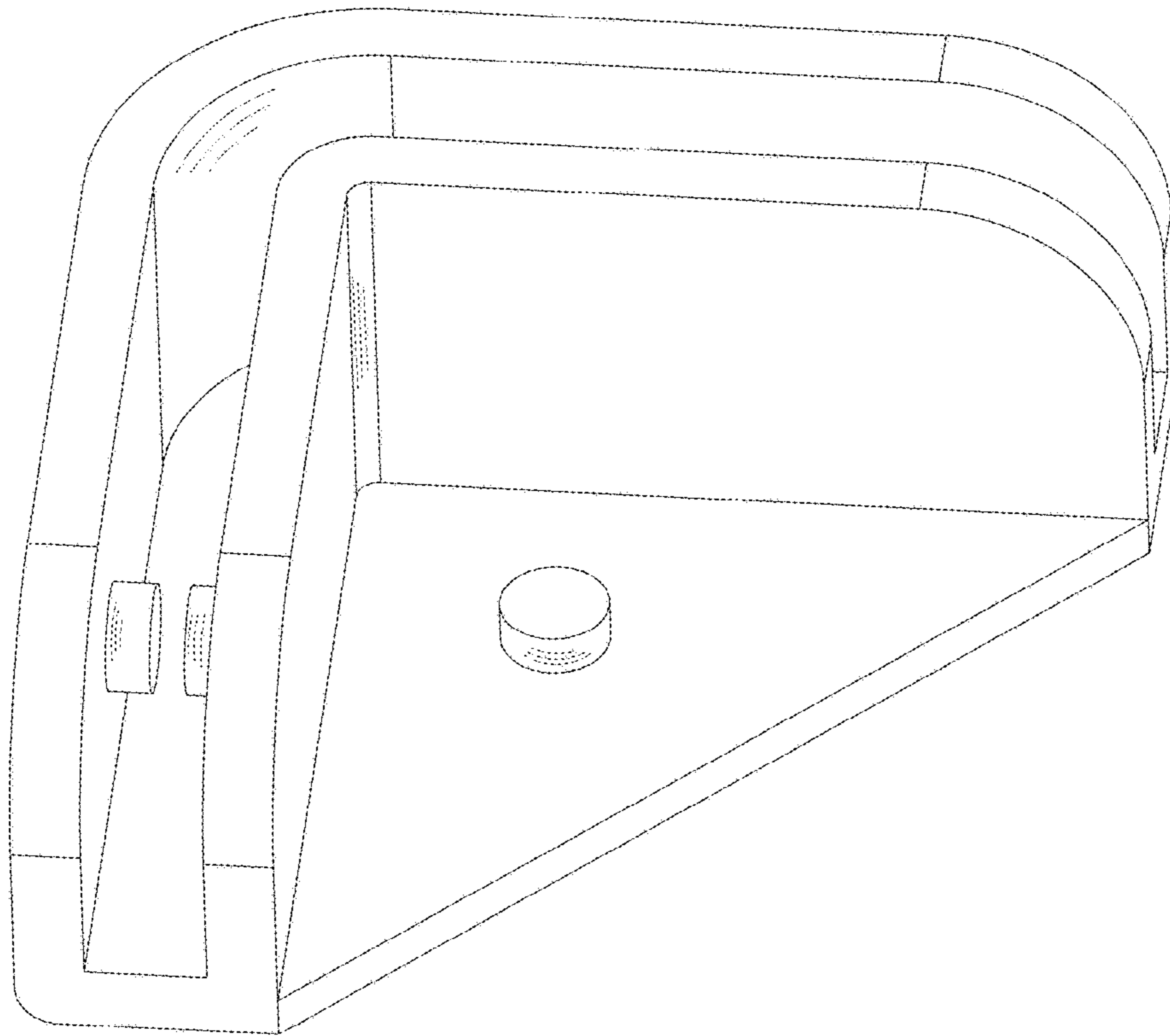


FIG. 34

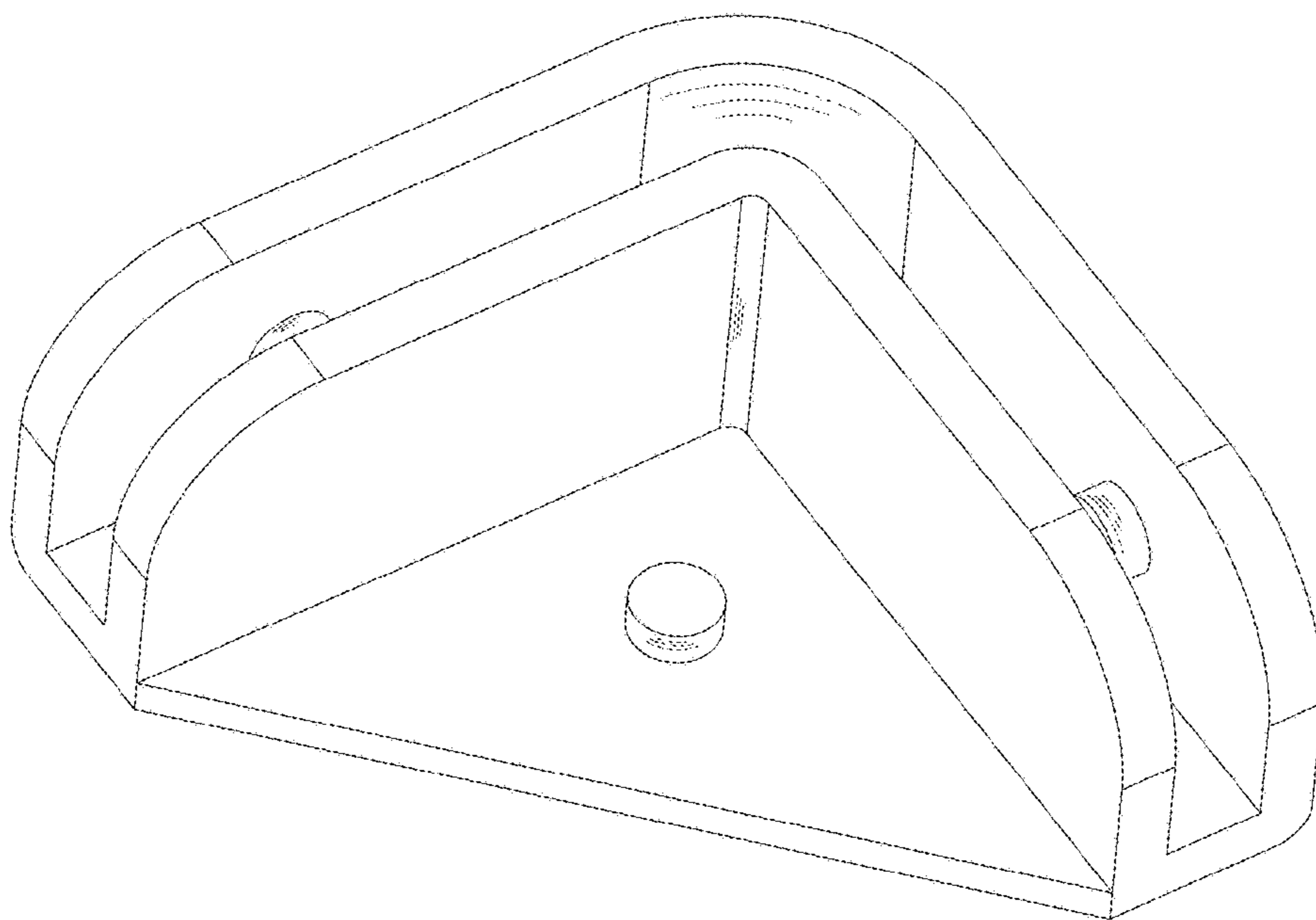


FIG. 35