



US00D832577S

(12) **United States Design Patent**
Ogilvie

(10) **Patent No.:** **US D832,577 S**

(45) **Date of Patent:** **** Nov. 6, 2018**

- (54) **CONTAINER**
- (71) Applicant: **Enviro-Tex Products Inc.**, Paris (CA)
- (72) Inventor: **James Barrie Ogilvie**, Paris (CA)
- (73) Assignee: **Enviro-Tex Products Inc.**, Paris, Ontario (CA)
- (**) Term: **15 Years**
- (21) Appl. No.: **29/611,215**
- (22) Filed: **Jul. 19, 2017**
- (51) **LOC (11) Cl.** **03-01**
- (52) **U.S. Cl.**
USPC **D3/304**
- (58) **Field of Classification Search**
USPC D6/672, 675, 682, 682.1, 683, 683.1;
D3/304, 307, 308, 309, 314, 315
CPC ... B65D 1/00; B65D 1/22; B65D 1/24; B65D
1/243; B65D 11/20
See application file for complete search history.

D805,402 S *	12/2017	Gamble	D9/755
D805,776 S *	12/2017	Shamp	D3/304
D812,377 S *	3/2018	Shpitzer	D3/304
D814,792 S *	4/2018	Perry	D3/304
2009/0194530 A1 *	8/2009	Ringler	B29C 45/0053 220/6

* cited by examiner

Primary Examiner — Kelley Donnelly

(74) *Attorney, Agent, or Firm* — Walter | Haverfield LLP;
Sean F. Mellino; D. Peter Hochberg

(57) **CLAIM**

The ornamental design for a container, as shown and described.

DESCRIPTION

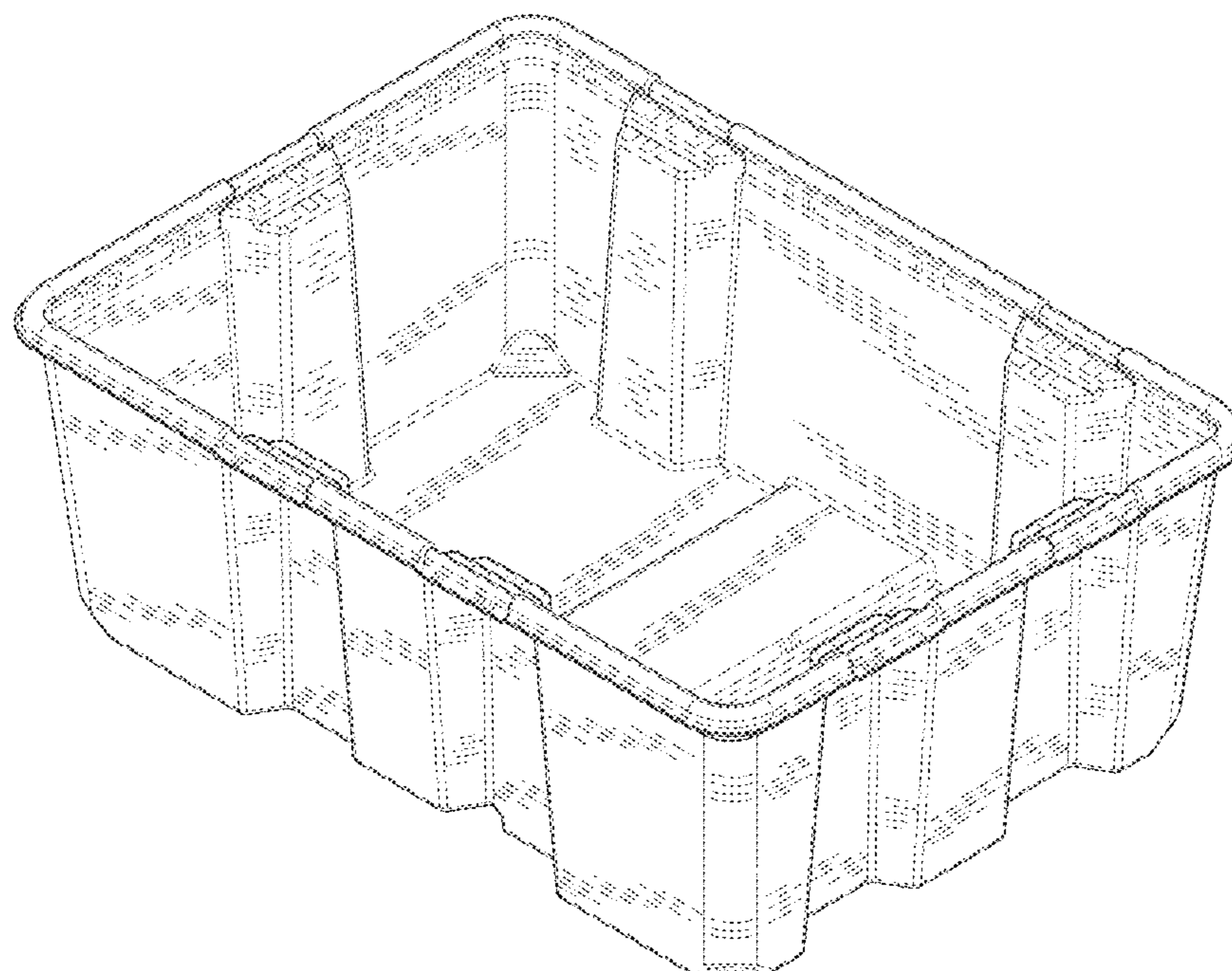
FIG. 1 is a top perspective view of an exemplary container according to an aspect of the present disclosure;
 FIG. 2 is a bottom perspective view of the container of FIG. 1;
 FIG. 3 is a first side elevation view of the container of FIG. 1;
 FIG. 4 is a second side elevation view of the container of FIG. 1;
 FIG. 5 is a third side elevation view of the container of FIG. 1;
 FIG. 6 is a fourth side elevation view of the container of FIG. 1;
 FIG. 7 is a top plan view of the container of FIG. 1; and,
 FIG. 8 is a bottom plan view of the container of FIG. 1.
 This design is directed to a container. Any broken lines show unclaimed subject matter only and form no part of the claimed design.

1 Claim, 6 Drawing Sheets

(56) **References Cited**

U.S. PATENT DOCUMENTS

D395,756 S *	7/1998	Tanji	D3/304
D448,567 S *	10/2001	Buss	D3/304
D549,454 S *	8/2007	Åhman	D3/304
D600,916 S *	9/2009	Schäfer	D3/304
D648,535 S *	11/2011	Reinhart	D3/302
D666,829 S *	9/2012	Liao	D3/304
D743,171 S *	11/2015	Reinhart	D3/279
9,272,814 B2 *	3/2016	Carver	B65D 11/1873
D762,387 S *	8/2016	Green	D3/304
D797,453 S *	9/2017	Shamp	D3/314



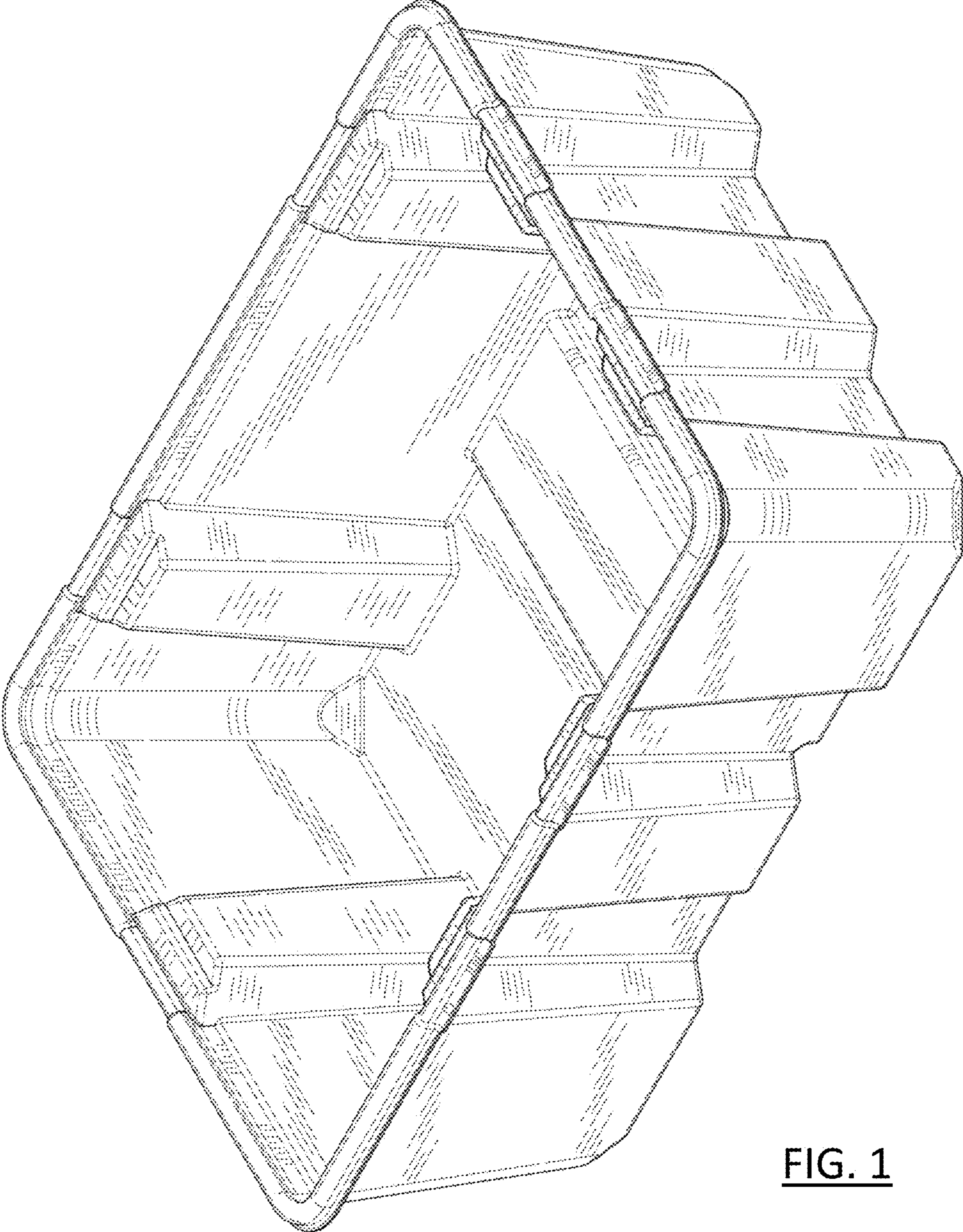


FIG. 1

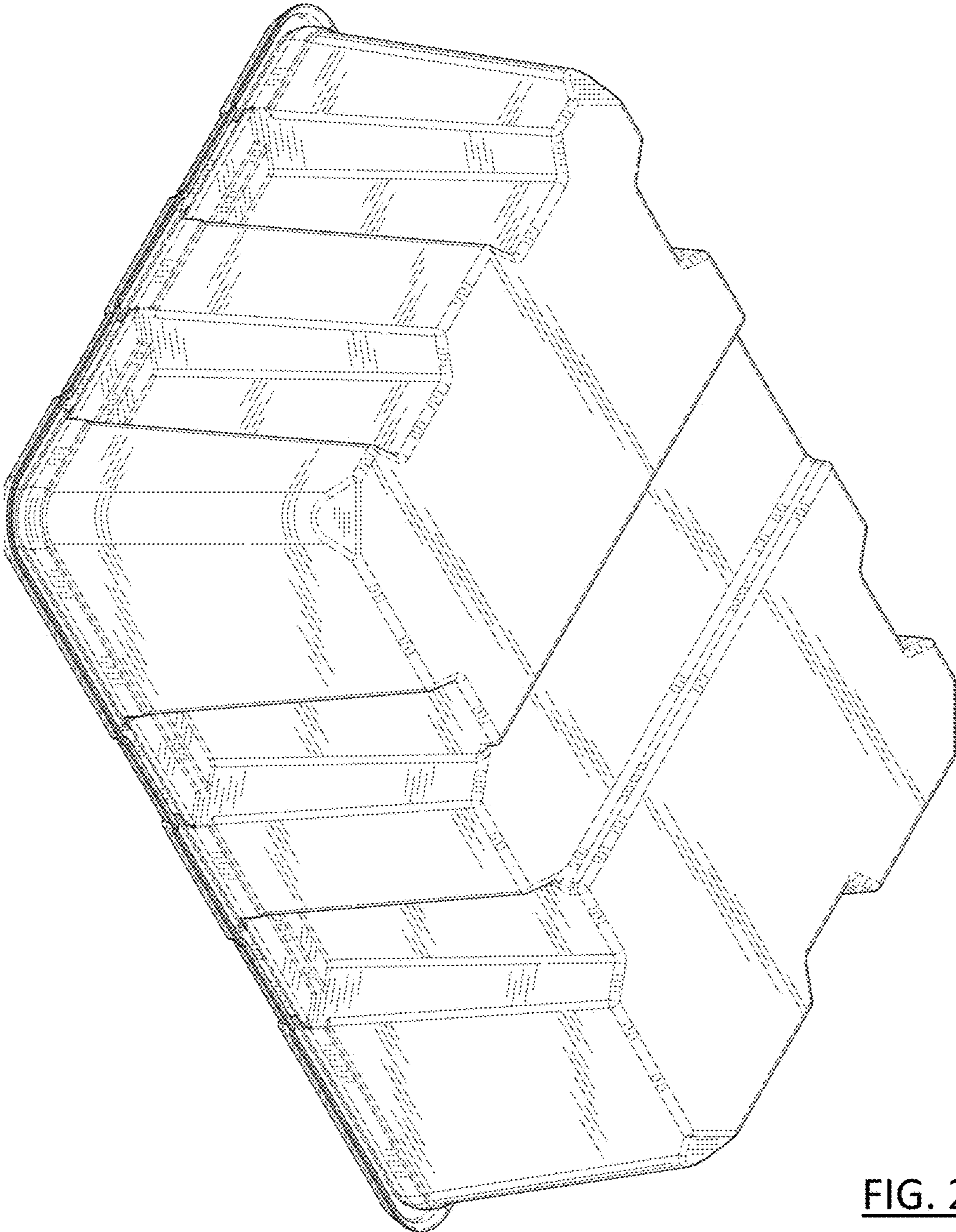


FIG. 2

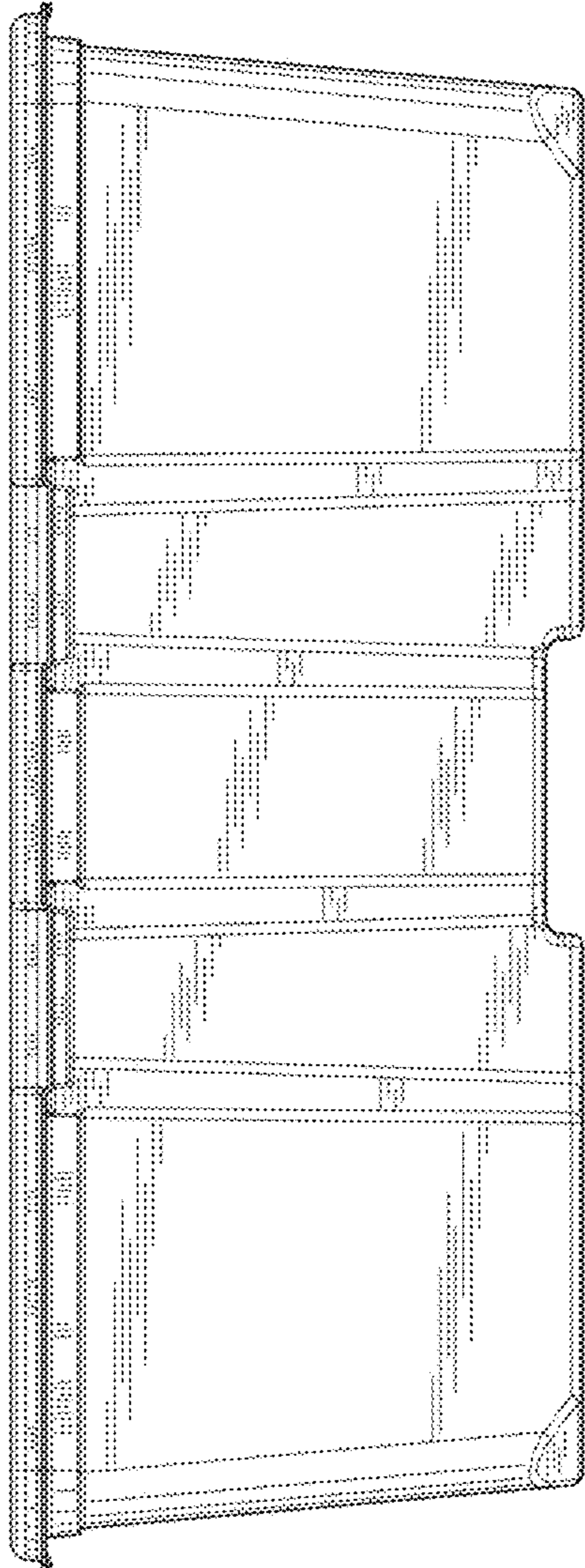


FIG. 3

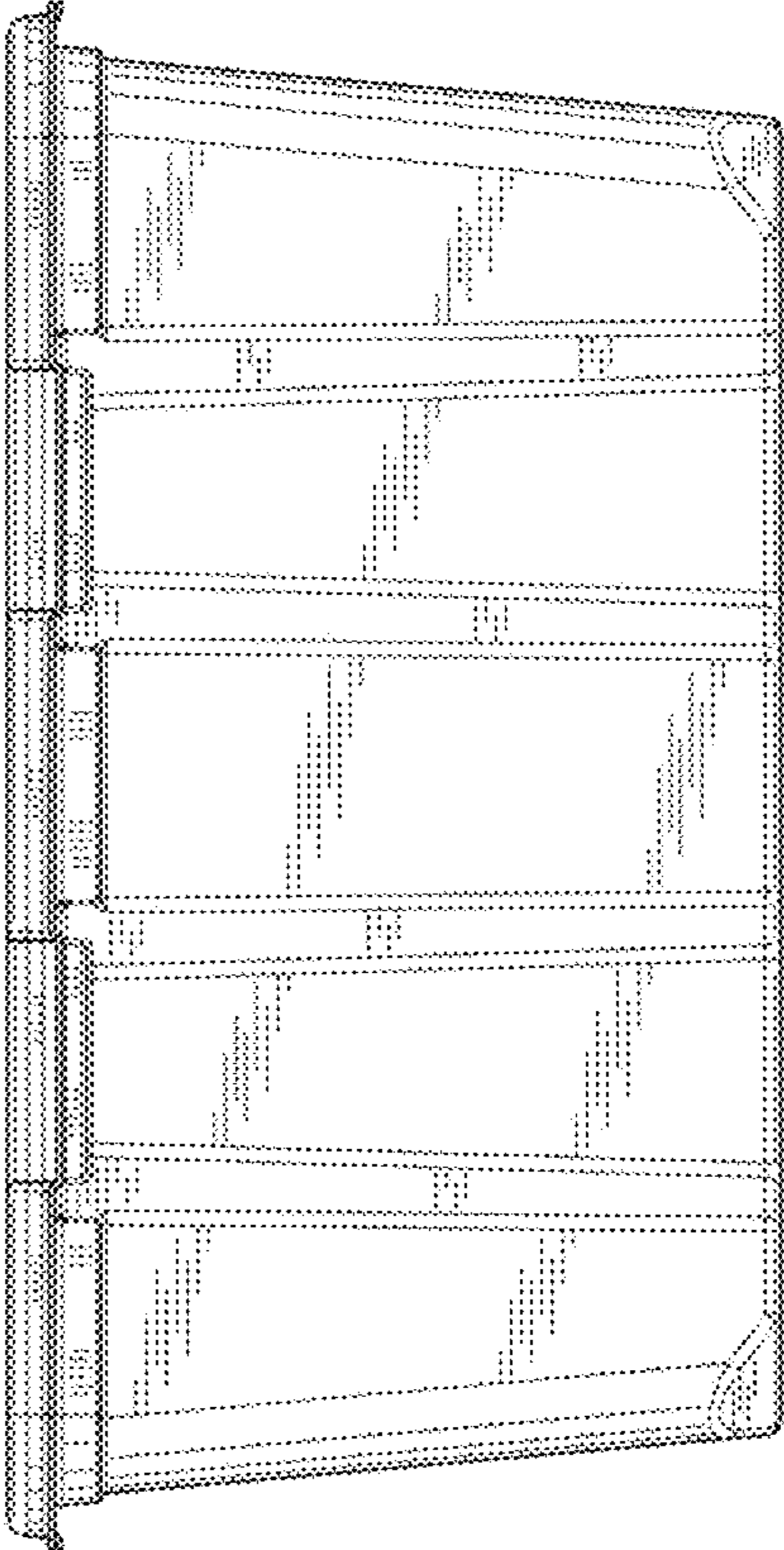


FIG. 4

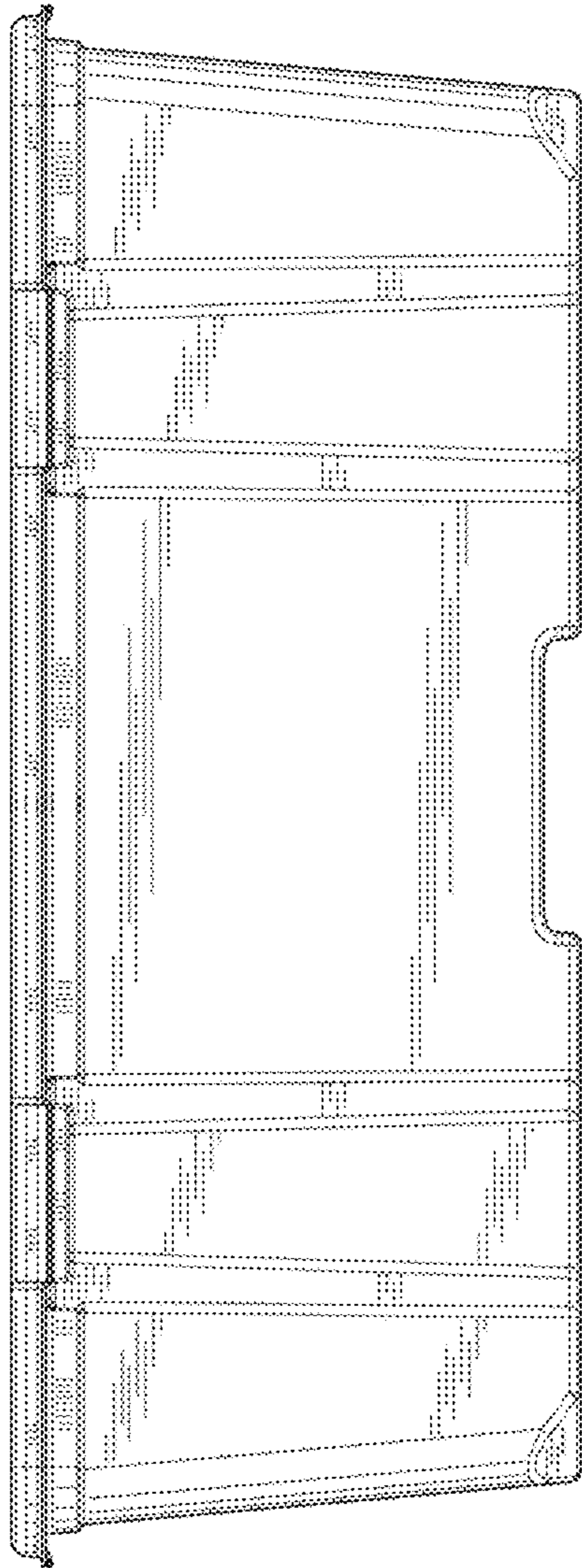


FIG. 5

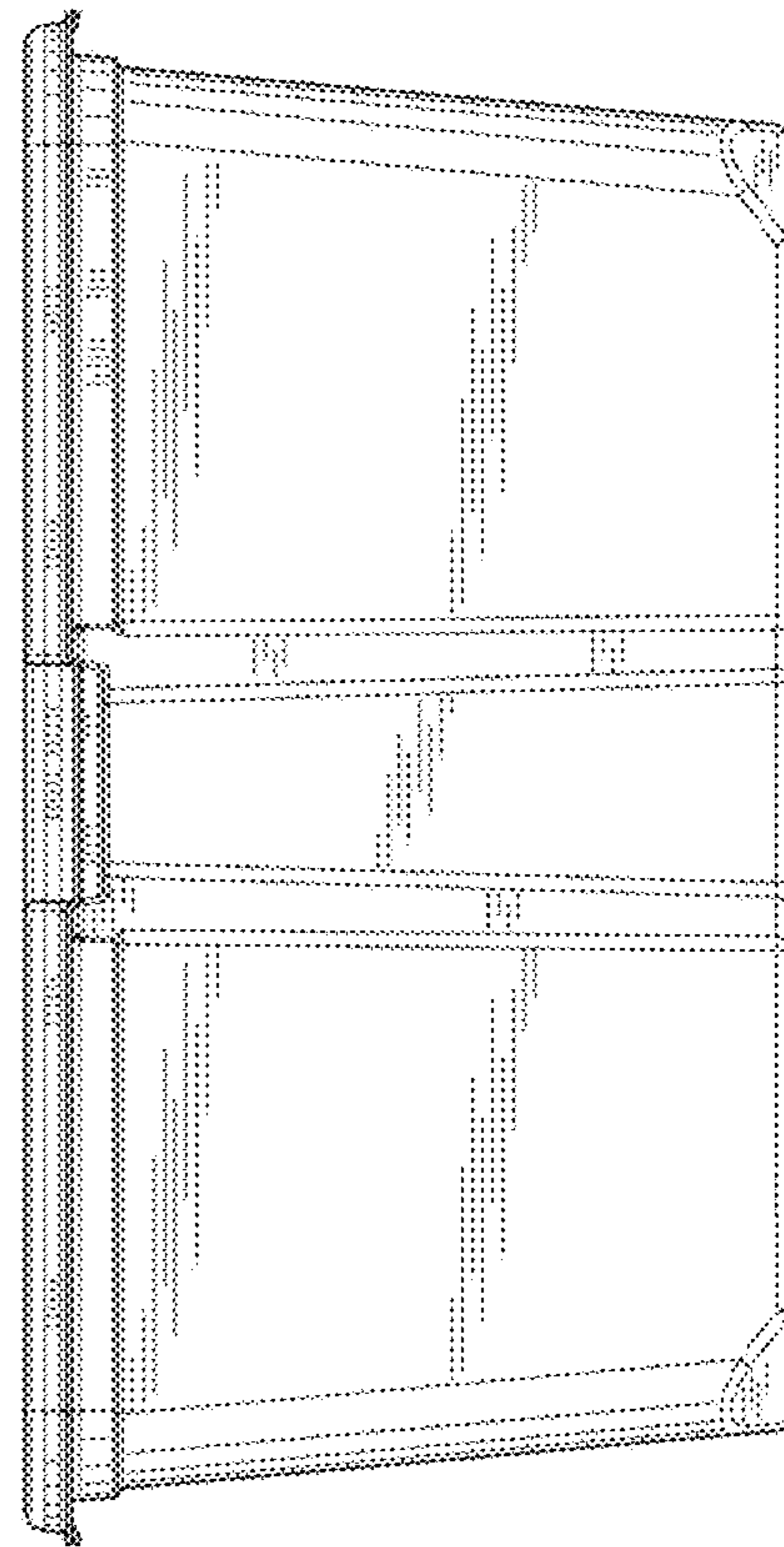


FIG. 6

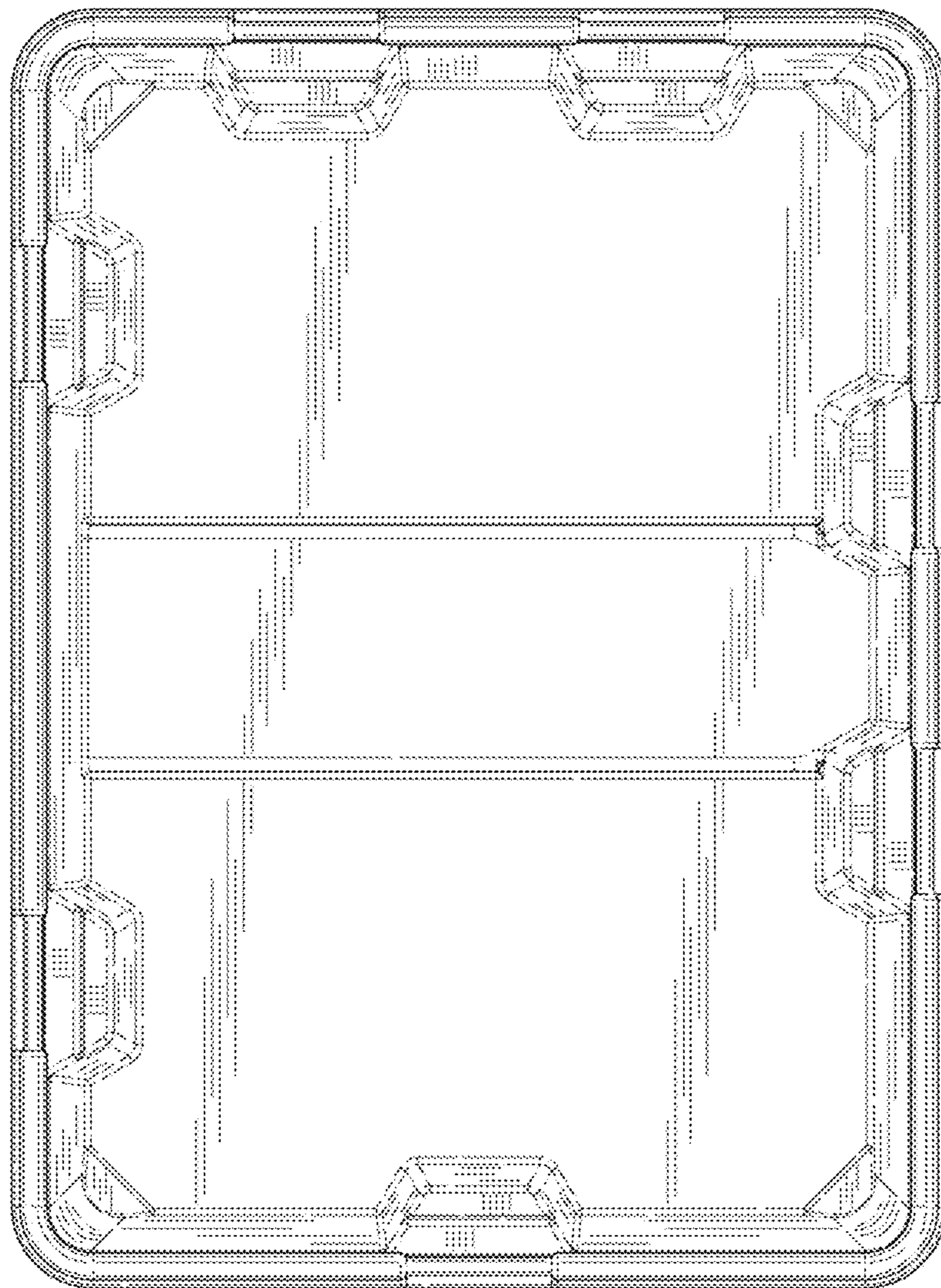


FIG. 7

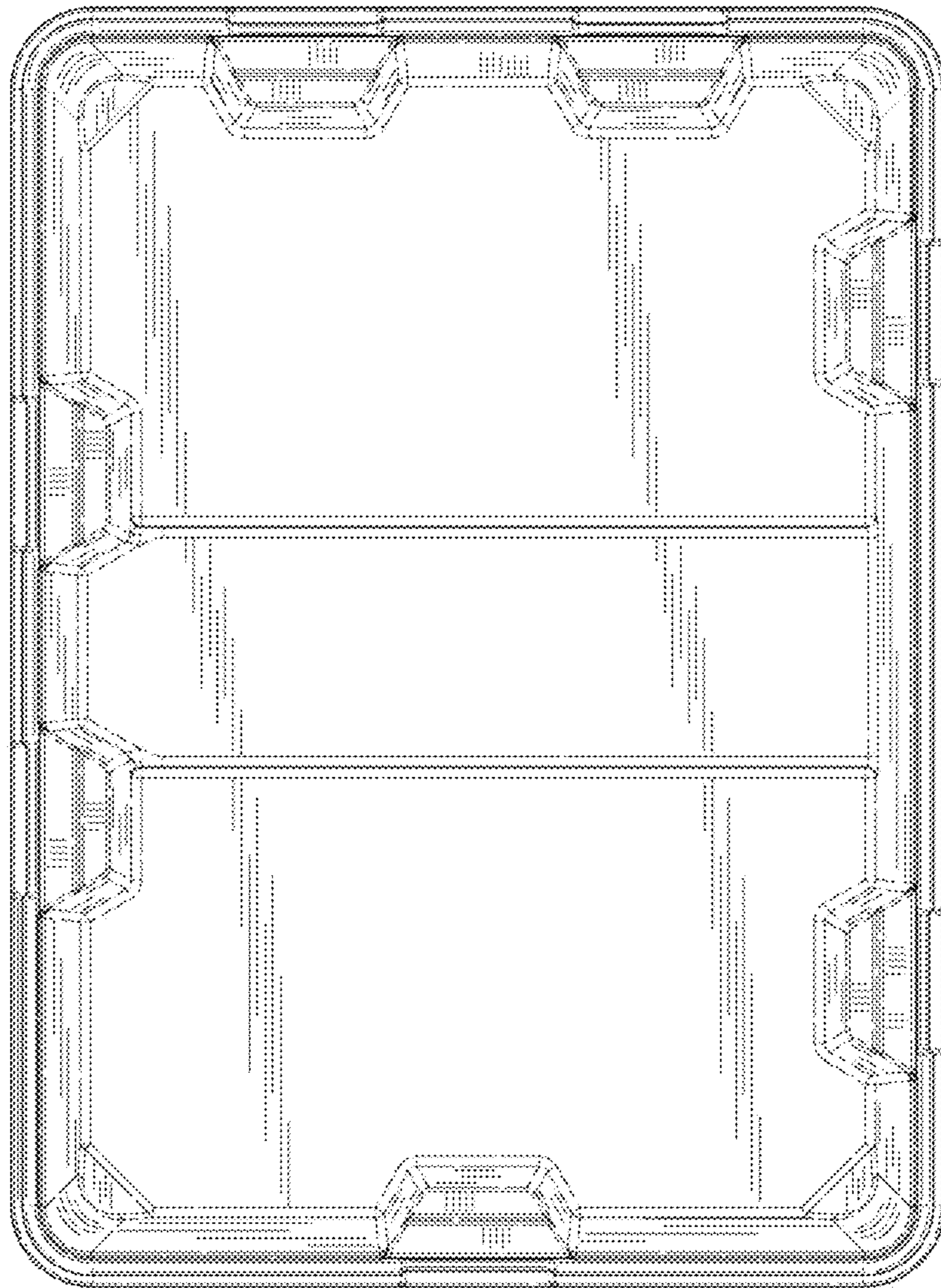


FIG. 8