



US00D832576S

(12) **United States Design Patent** (10) **Patent No.:** **US D832,576 S**
Schultz (45) **Date of Patent:** **** Nov. 6, 2018**

(54) **BEACH CADDY**
(71) Applicant: **Jennifer Schultz**, Lewes, DE (US)
(72) Inventor: **Jennifer Schultz**, Lewes, DE (US)
(**) Term: **15 Years**
(21) Appl. No.: **29/650,750**
(22) Filed: **Jun. 8, 2018**
(51) **LOC (11) Cl.** **03-01**
(52) **U.S. Cl.**
USPC **D3/279**
(58) **Field of Classification Search**
USPC D3/269, 272, 273, 274, 276, 277, 279,
D3/280, 281, 283, 284, 285, 289, 315,
D3/302, 900, 902, 904
CPC . B62B 2202/52; B62B 2301/254; A45C 5/14;
A45C 2005/148; A45C 2005/037
See application file for complete search history.

D360,527 S * 7/1995 Corney D3/273
D373,105 S * 8/1996 Imotani D12/413
D374,991 S * 10/1996 Trapp D3/274
D375,199 S * 11/1996 Stokes D3/279
5,620,191 A 4/1997 Sayette
D391,396 S * 3/1998 Yemini D3/279
5,769,436 A 6/1998 Andrey
6,042,122 A 3/2000 Mohr
(Continued)

FOREIGN PATENT DOCUMENTS

DE 4443650 A1 6/1996
GB 2468950 B 9/2010

OTHER PUBLICATIONS

Translation of DE 4443650 A1. Patent [online]. Google Patents [retrieved on Jun. 6, 2018]. Retrieved from the Internet: <URL: <https://encrypted.google.com/patents/DE4443650A1?cl=en>>>.

Primary Examiner — Jennifer Rivard
Assistant Examiner — April Rivas
(74) *Attorney, Agent, or Firm* — Cramer Patent & Design, PLLC; Aaron R. Cramer

(56) **References Cited**

U.S. PATENT DOCUMENTS

2,472,491 A * 6/1949 Quinton A45C 5/146
280/37
2,937,878 A 5/1960 Reina
3,273,908 A * 9/1966 Geiser, Jr. B62B 3/00
280/79.2
3,429,582 A 2/1969 Embry
3,851,891 A 12/1974 Liu
3,917,038 A * 11/1975 Foge A45C 5/146
190/18 A
3,927,894 A 12/1975 Zawislak
4,618,157 A 10/1986 Resnick
4,873,841 A * 10/1989 Bradshaw A45C 5/14
280/47.17
5,106,109 A 4/1992 Tattersall et al.
5,123,371 A 6/1992 Giordano et al.
D336,365 S * 6/1993 Huang D3/279
5,222,748 A 6/1993 Johnson
D346,274 S * 4/1994 Good D3/279
5,368,143 A * 11/1994 Pond A45C 5/14
190/115

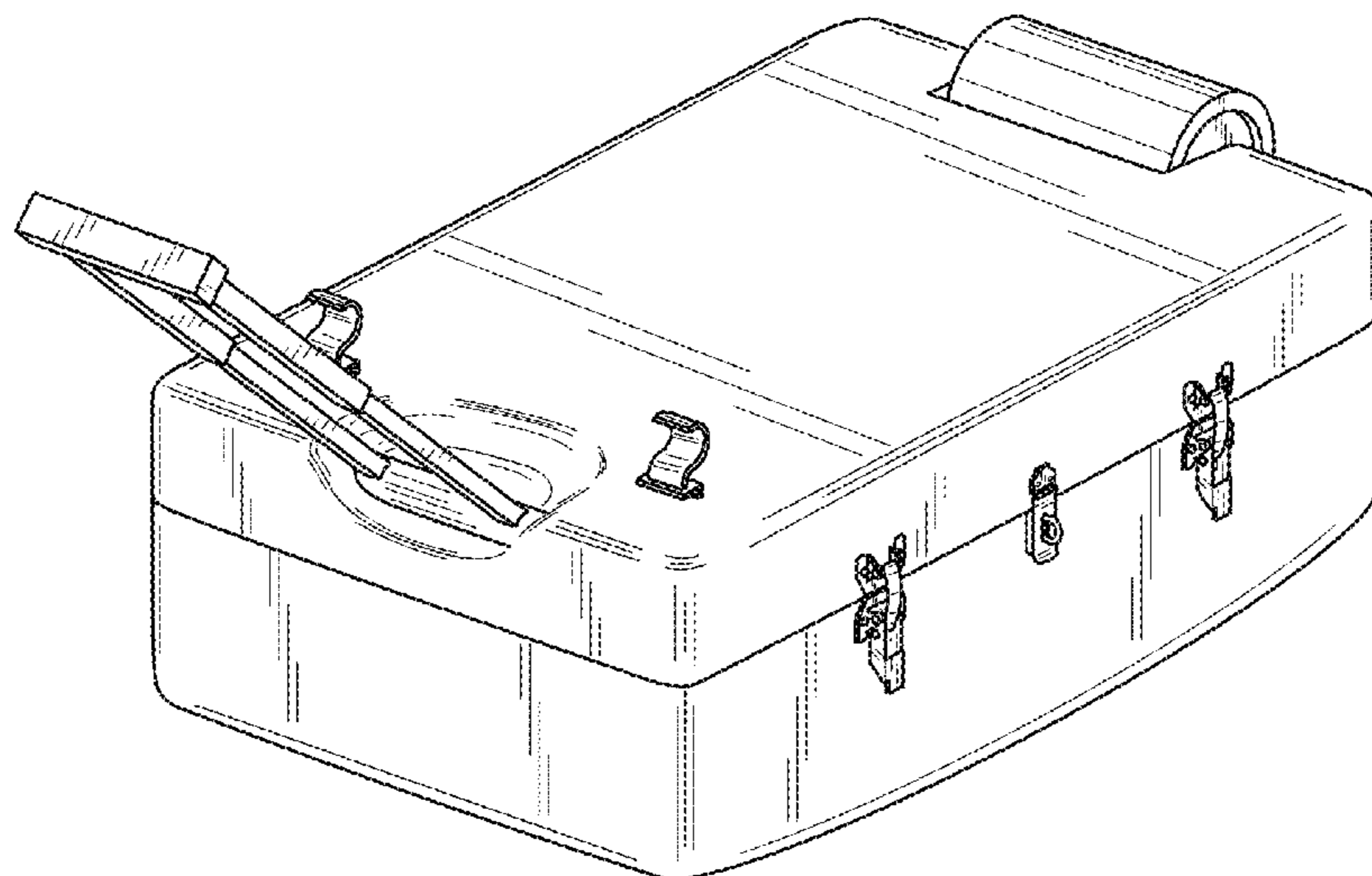
(57) **CLAIM**

The ornamental design for a beach caddy, as shown and described.

DESCRIPTION

FIG. 1 is a perspective bottom front left view of a beach caddy, showing my new design;
FIG. 2 is a perspective top rear right view thereof;
FIG. 3 is a front elevation view thereof;
FIG. 4 is a rear elevation view thereof;
FIG. 5 is a right elevation view thereof;
FIG. 6 is a left elevation view thereof;
FIG. 7 is a top plan view thereof; and,
FIG. 8 is a bottom plan view thereof.

1 Claim, 8 Drawing Sheets



(56)

References Cited

U.S. PATENT DOCUMENTS

6,257,599 B1 7/2001 Johnson et al.
6,446,988 B1 * 9/2002 Kho A45C 5/14
16/405
6,474,097 B2 11/2002 Treppedi et al.
D479,651 S * 9/2003 Shen D3/279
7,143,601 B1 * 12/2006 Jimenez F25D 23/12
62/457.7
7,464,943 B1 12/2008 Poggioli et al.
7,568,709 B2 * 8/2009 Feron A45C 5/14
190/18 A
8,256,242 B1 * 9/2012 Evans A45C 13/262
62/457.7
8,430,411 B2 4/2013 Cornwell
9,260,129 B2 * 2/2016 Thompson B62B 19/04
9,340,224 B2 5/2016 Yoder et al.
9,540,029 B1 1/2017 Farina
2003/0025284 A1 2/2003 Edwards et al.

* cited by examiner

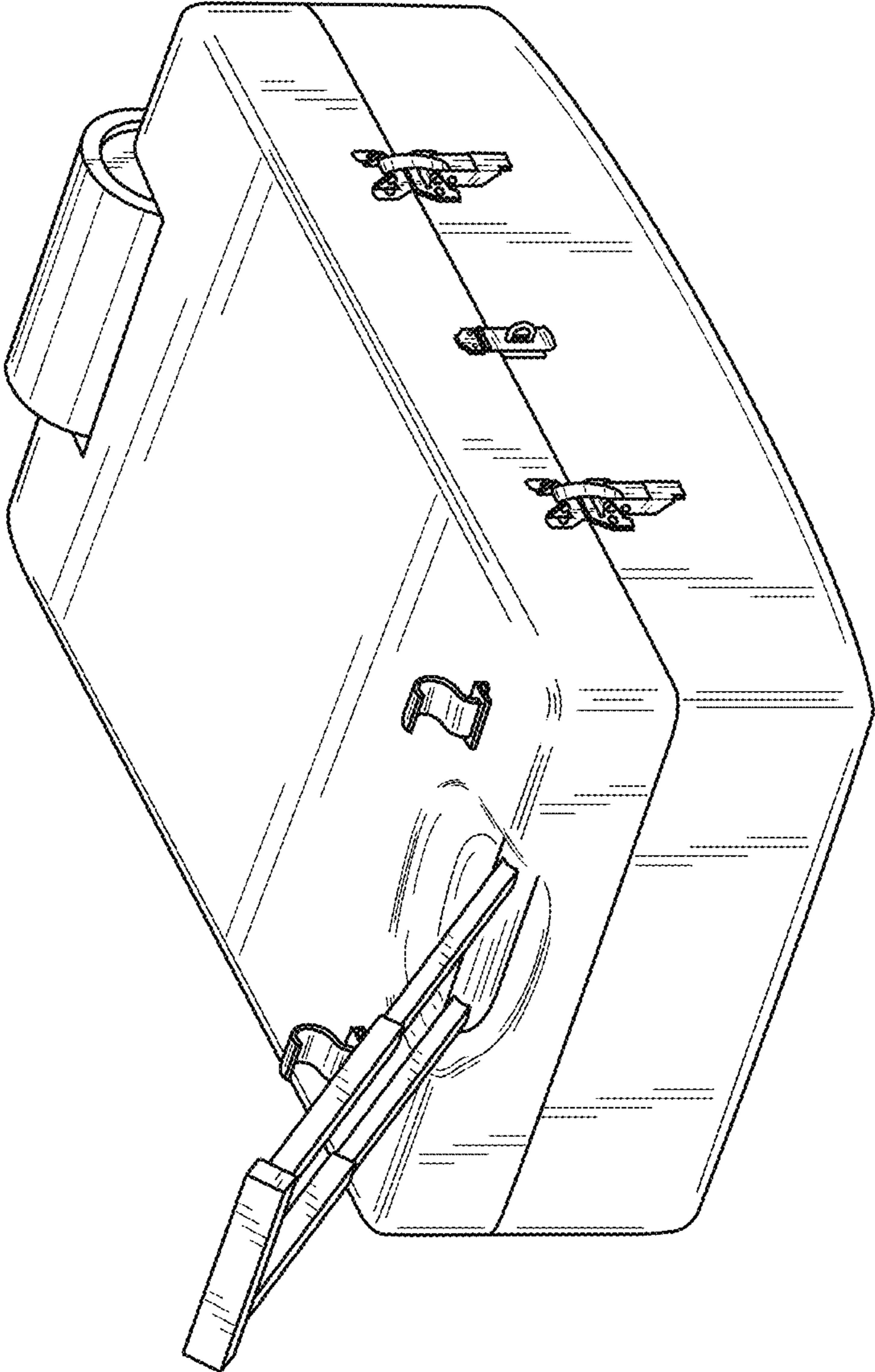


FIG. 1

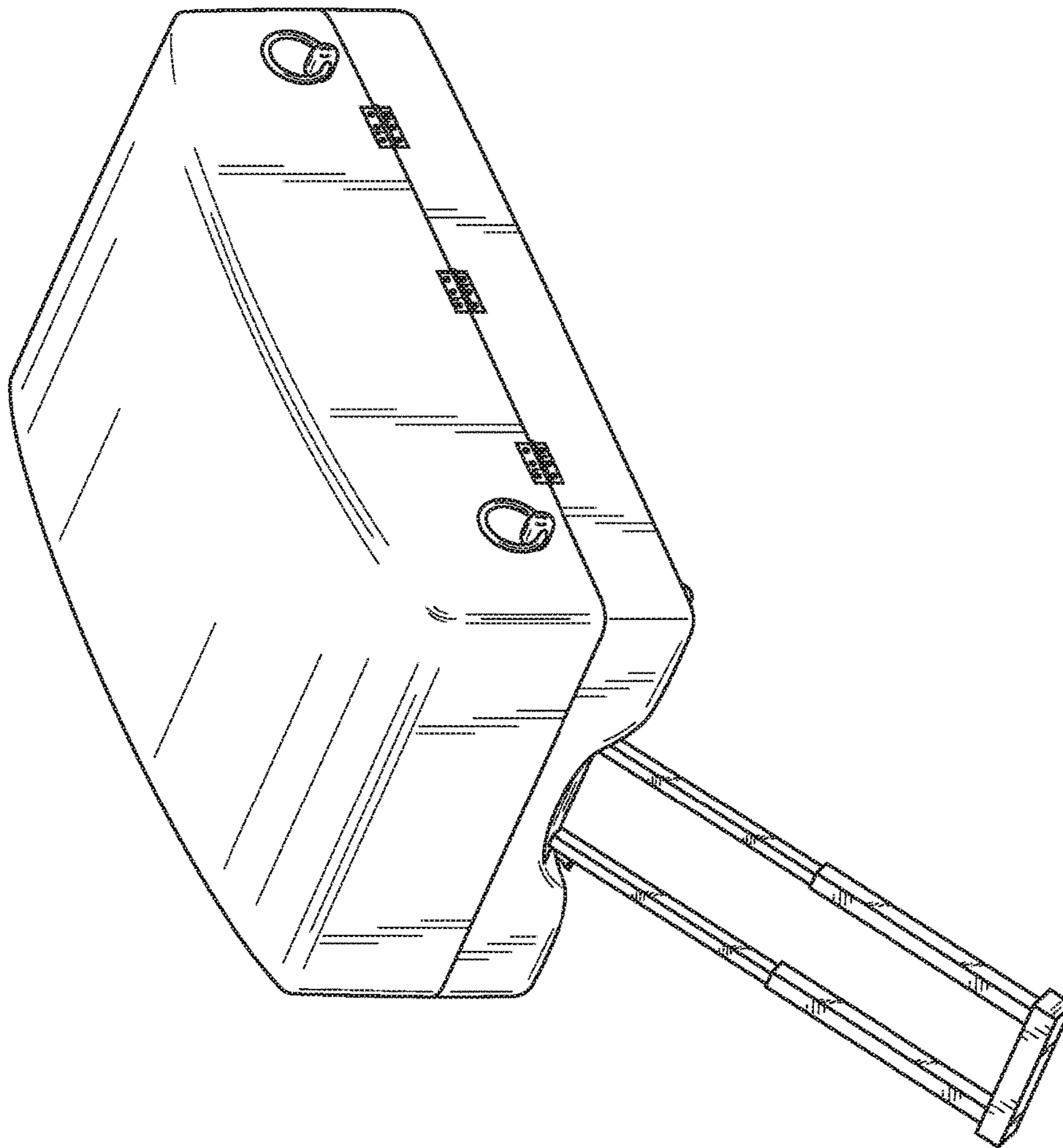


FIG. 2

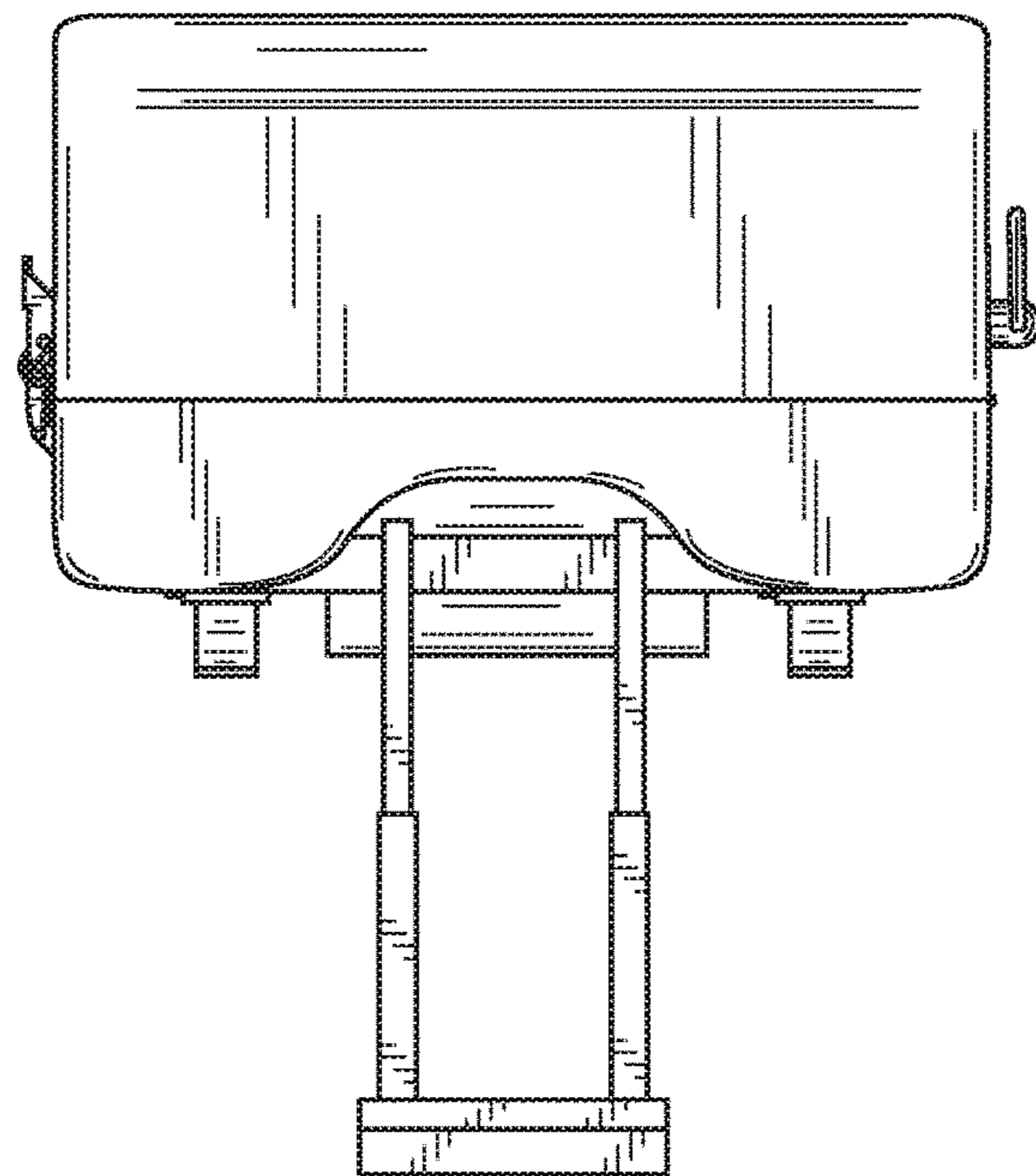


FIG. 3

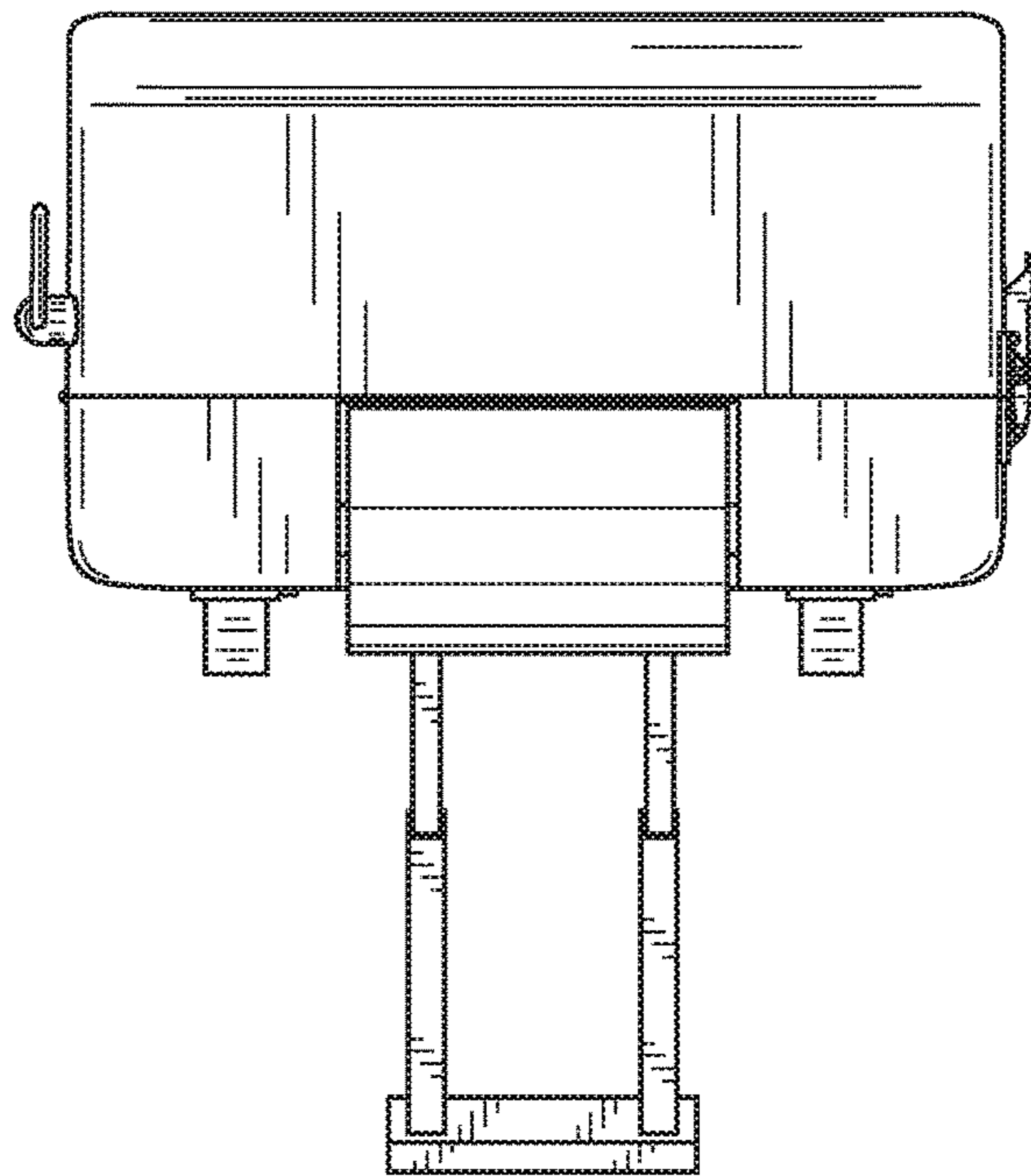


FIG. 4

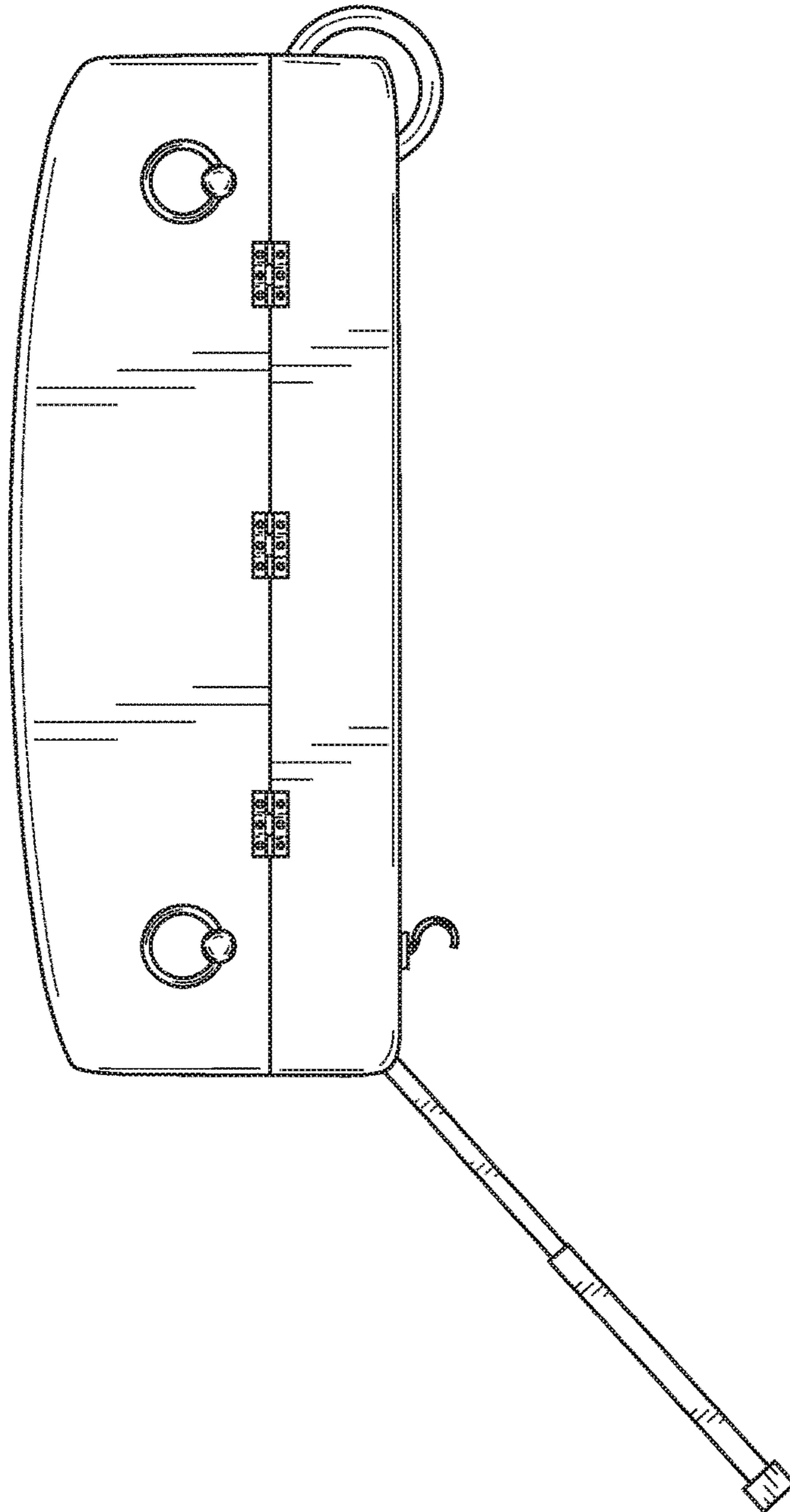


FIG. 5

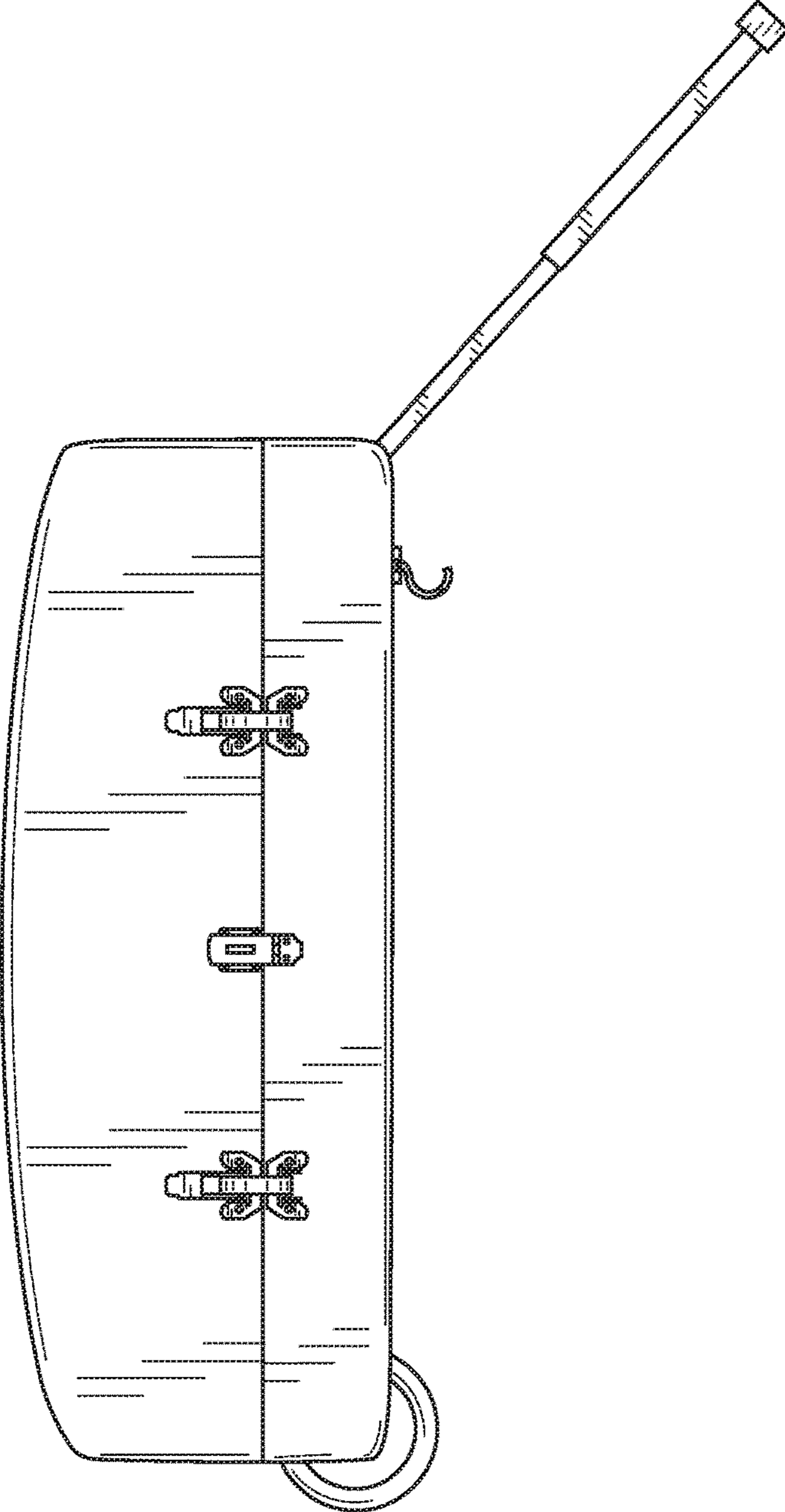


FIG. 6

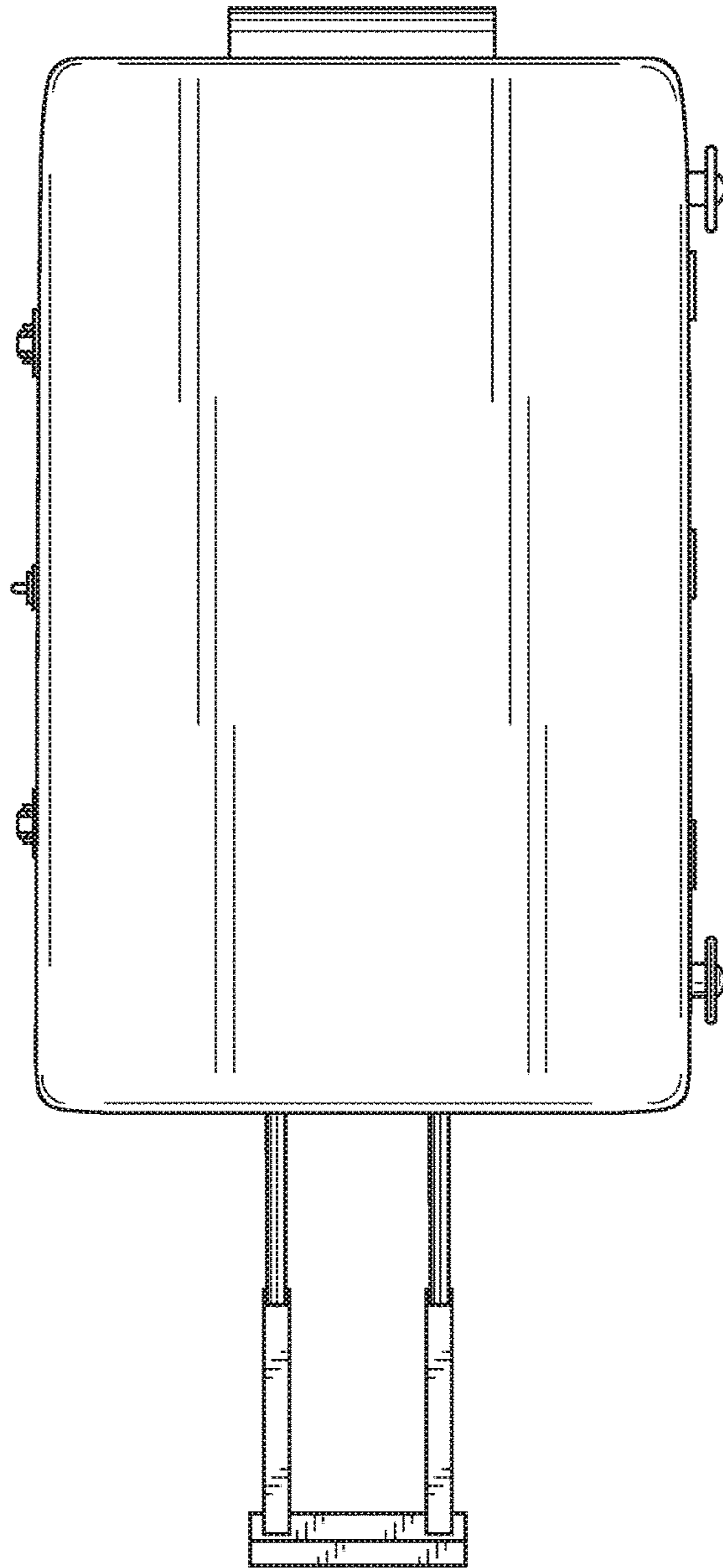


FIG. 7

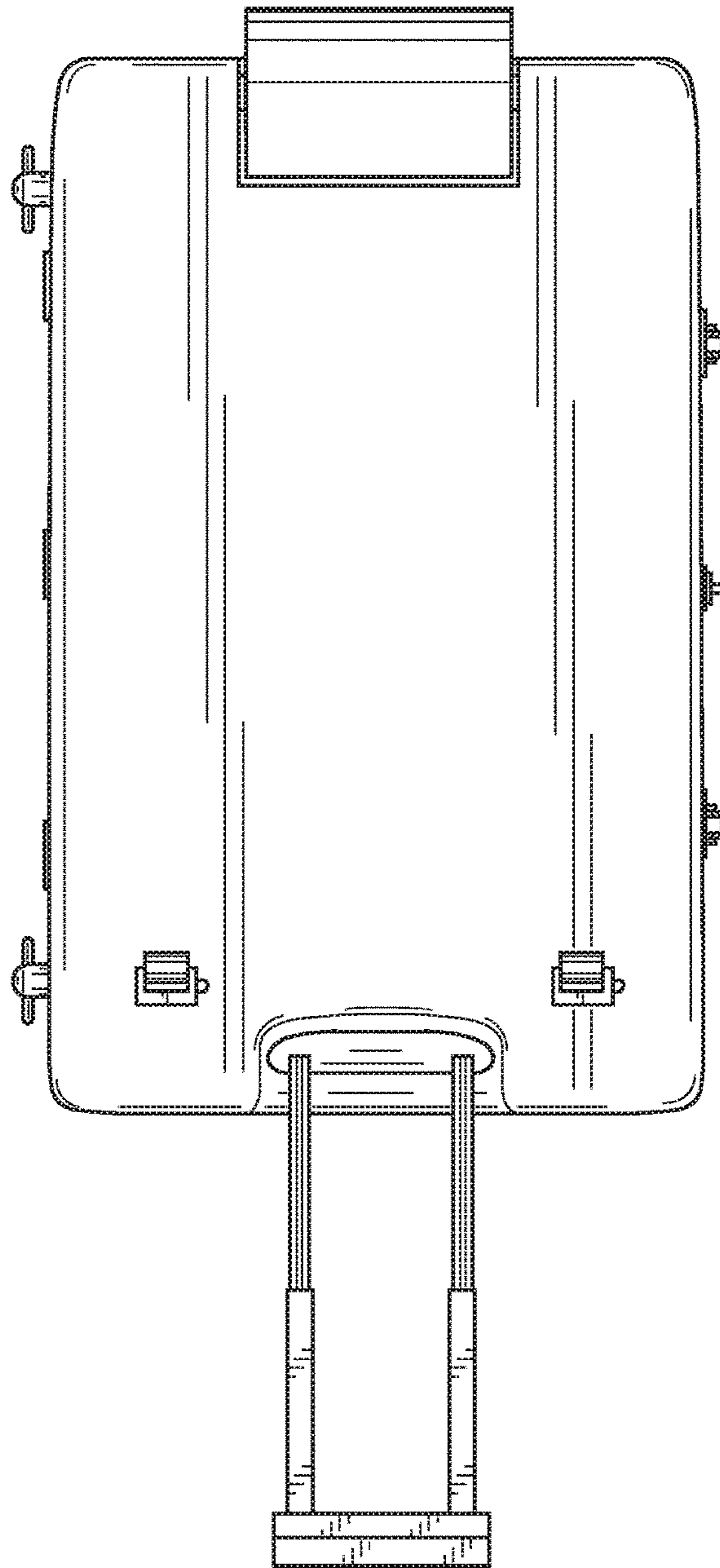


FIG. 8