



US00D832575S

(12) **United States Design Patent**
Carner

(10) **Patent No.:** **US D832,575 S**
(45) **Date of Patent:** **** Nov. 6, 2018**

- (54) **CONNECTABLE LUGGAGE SET**
- (71) Applicant: **Ashley Carner**, Houston, TX (US)
- (72) Inventor: **Ashley Carner**, Houston, TX (US)
- (**) Term: **15 Years**
- (21) Appl. No.: **29/596,065**
- (22) Filed: **Mar. 4, 2017**
- (51) **LOC (11) Cl.** **03-01**
- (52) **U.S. Cl.**
USPC **D3/279**
- (58) **Field of Classification Search**
USPC D3/273, 274, 276, 279, 281, 282, 284,
D3/289, 902
CPC .. A45C 3/00; A45C 3/004; A45C 5/00; A45C
5/03; A45C 2005/037; A45C 5/04; A45C
2200/15; A45C 5/14
See application file for complete search history.

- 2010/0147642 A1* 6/2010 Andochick A45C 5/14
190/18 A
- 2011/0168507 A1* 7/2011 Penley A45C 5/14
190/18 A
- 2013/0175129 A1* 7/2013 Rankin A45C 5/14
190/18 A
- 2013/0213753 A1* 8/2013 Salek A45C 13/385
190/18 A
- 2017/0049202 A1* 2/2017 Nascimento A45C 13/262

OTHER PUBLICATIONS

Kickstarter, "Tach Luggage—The First Built-In Connectable Luggage System", Launched Jul. 1, 2015. (<https://www.kickstarter.com/projects/736131694/tach-luggage-the-first-built-in-connectable-luggag>).*

* cited by examiner

Primary Examiner — Jennifer Rivard
Assistant Examiner — April Rivas
(74) *Attorney, Agent, or Firm* — RG Patent Consulting, LLC; Rachel Gilboy

(56) **References Cited**

U.S. PATENT DOCUMENTS

- D422,409 S * 4/2000 Klenner D3/276
- D425,301 S * 5/2000 Sagol D3/276
- D525,031 S * 7/2006 Miles D3/279
- D627,162 S * 11/2010 Weng D3/279
- D642,379 S * 8/2011 Buller D3/279
- 8,517,398 B1 * 8/2013 Wilson B62B 1/12
280/37
- D730,050 S * 5/2015 Hogan D3/279
- 9,033,125 B2 * 5/2015 Herold A45C 5/14
190/108
- 9,119,453 B1 * 9/2015 LaRocque A45C 13/001
- 9,314,076 B2 * 4/2016 Edme A45C 7/0045
- D758,076 S * 6/2016 Boer D3/274
- 9,629,430 B1 * 4/2017 Getahun A45C 9/00
- 2008/0308369 A1 * 12/2008 Louis A45C 5/14
190/108

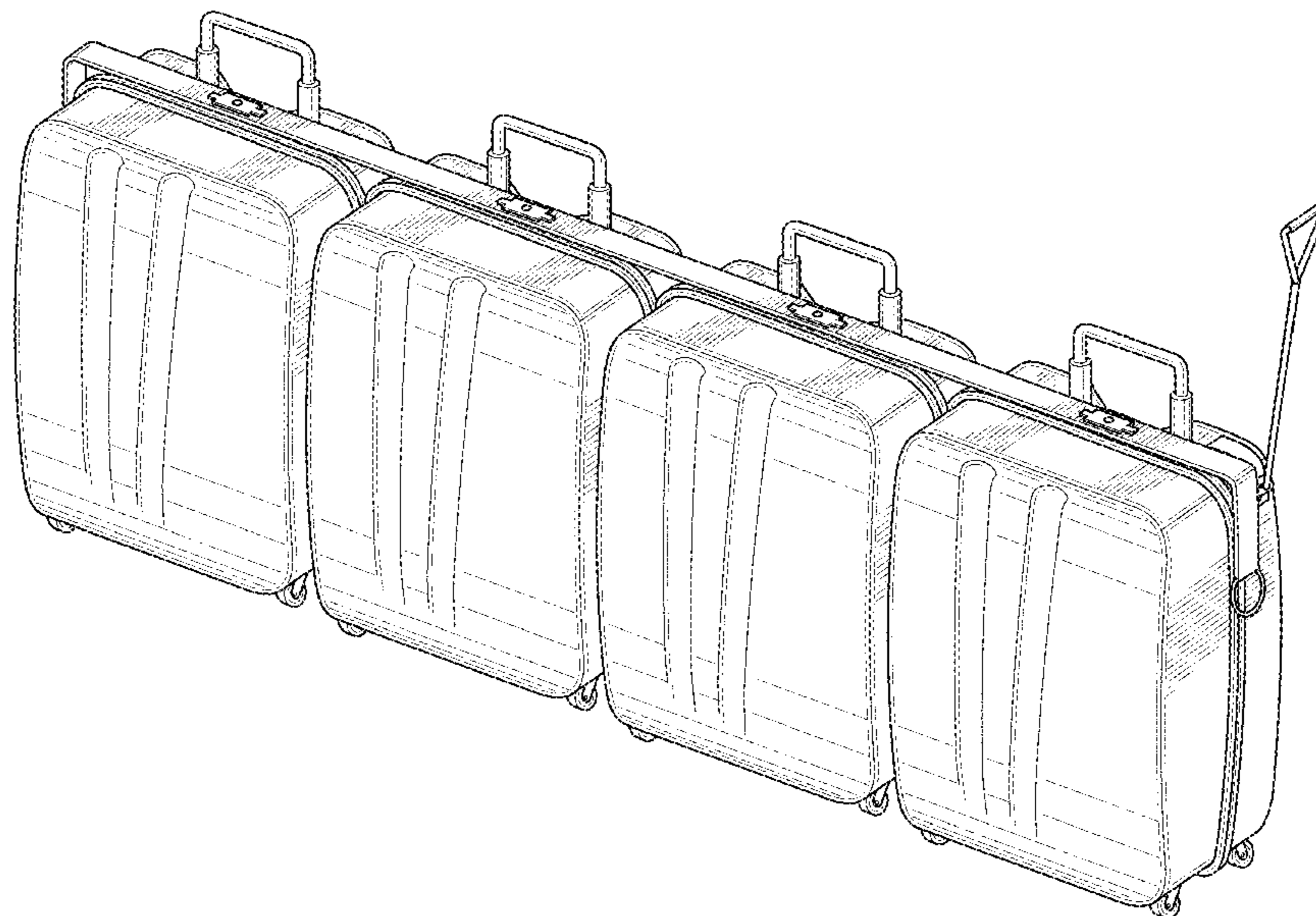
(57) **CLAIM**

The ornamental design for a connectable luggage set, as shown and described.

DESCRIPTION

FIG. 1 is a perspective view of the connectable luggage set showing my new design;
FIG. 2 is a front elevation view thereof;
FIG. 3 is a rear elevation view thereof;
FIG. 4 is a top plan view thereof;
FIG. 5 is a bottom plan view thereof;
FIG. 6 is a right elevation view thereof; and,
FIG. 7 is a left elevation view thereof.

1 Claim, 5 Drawing Sheets



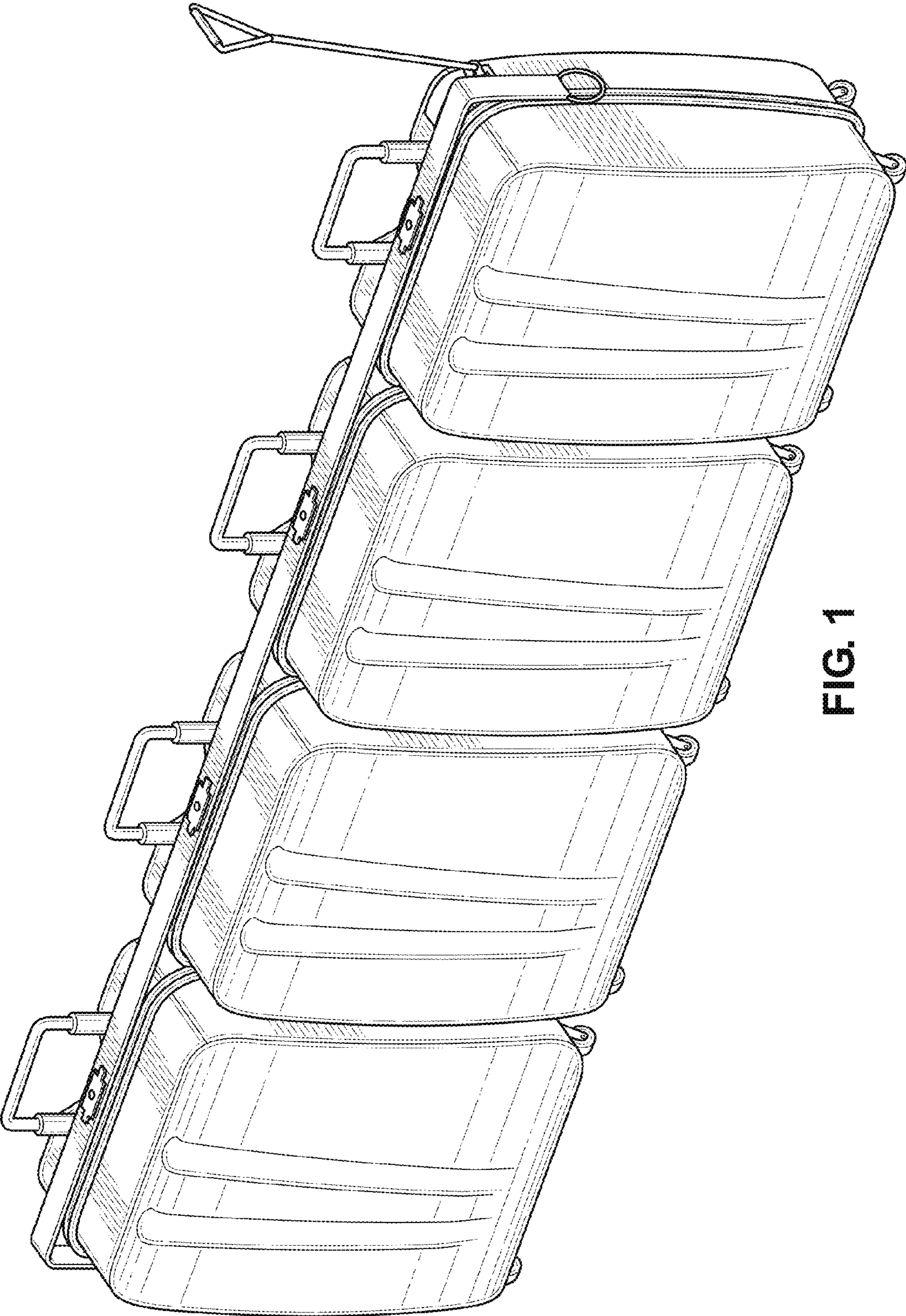


FIG. 1

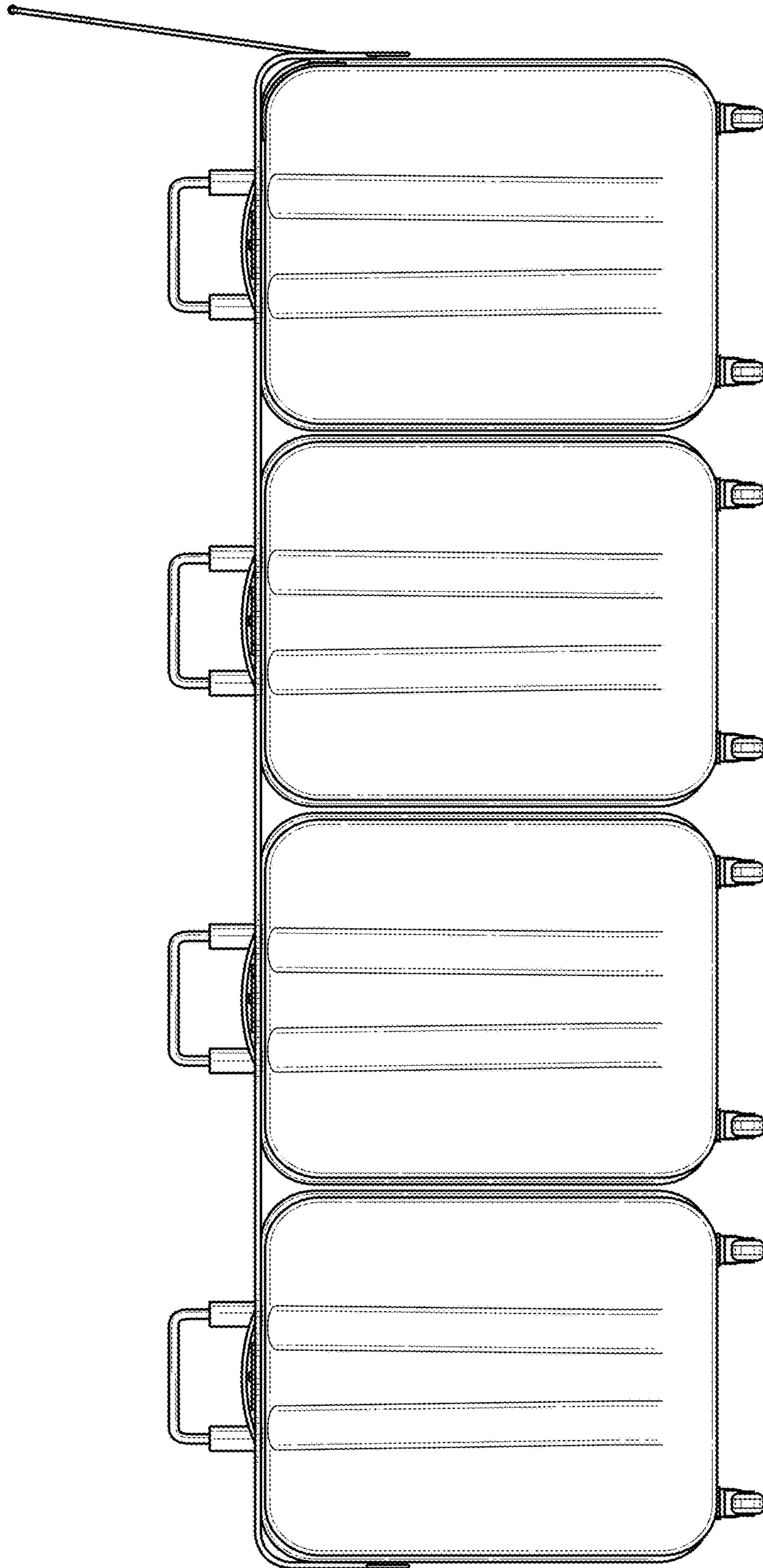


FIG. 2

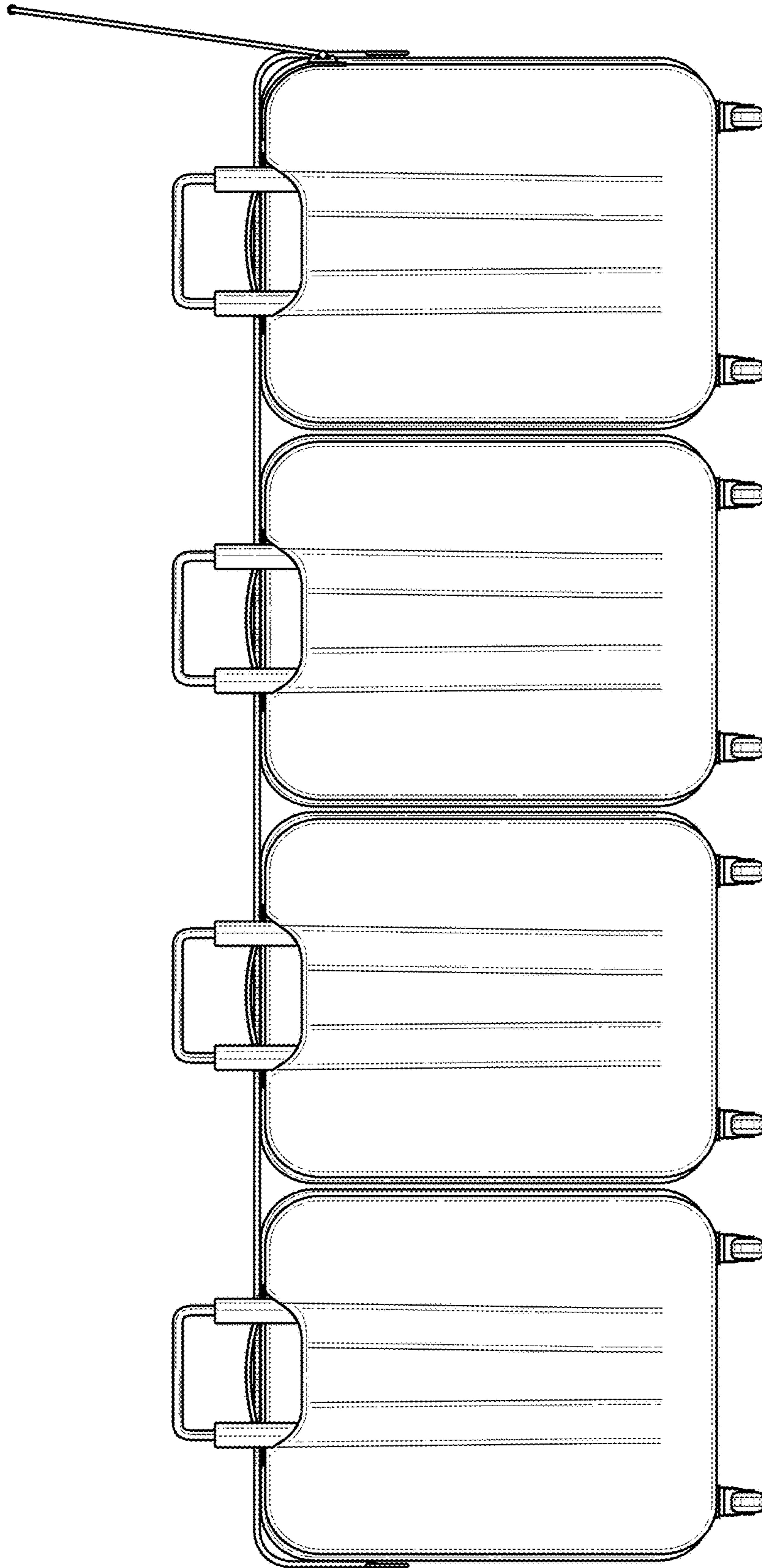


FIG. 3

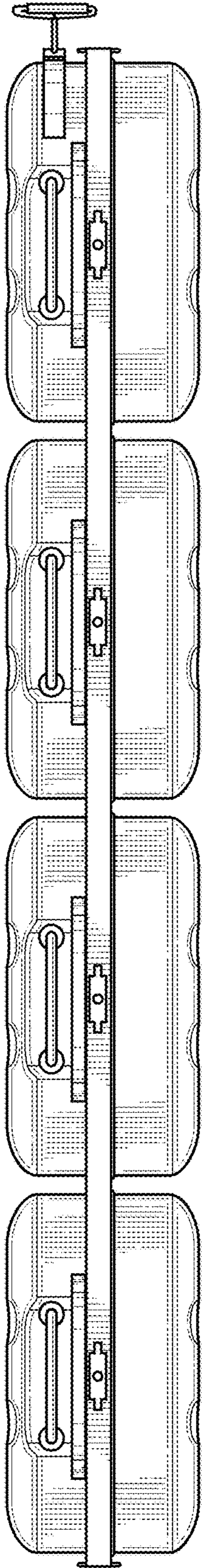


FIG. 4

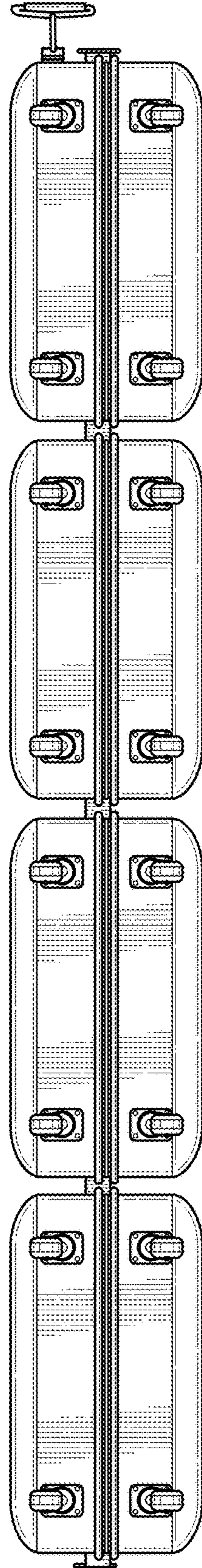


FIG. 5

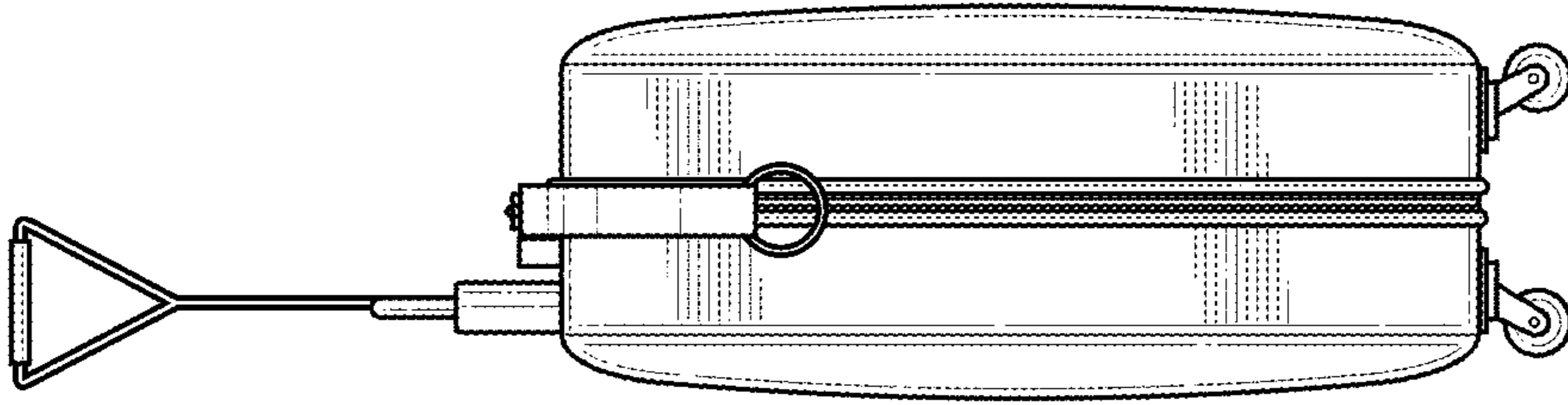


FIG. 7

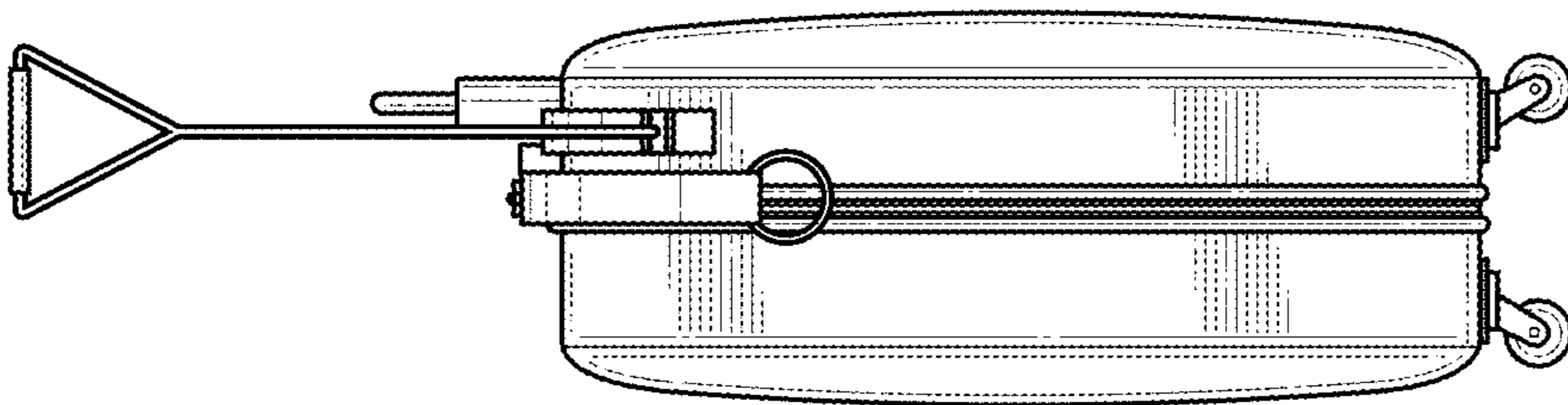


FIG. 6