



US00D832573S

(12) **United States Design Patent** (10) **Patent No.:** **US D832,573 S**  
**Nair** (45) **Date of Patent:** **\*\* Nov. 6, 2018**

(54) **HANDBAG**  
(71) Applicant: **MOYNAT PARIS SAS**, Paris (FR)  
(72) Inventor: **Ramesh Nair**, Paris (FR)  
(73) Assignee: **MOYNAT PARIS SAS**, Paris (FR)

D715,552 S \* 10/2014 Kuster ..... D3/318  
D726,410 S \* 4/2015 Fusi ..... D3/243  
D762,388 S \* 8/2016 Guichot ..... D3/318  
D794,326 S \* 8/2017 Nair ..... D3/243  
D800,449 S \* 10/2017 Nair ..... D3/243

(\*\*) Term: **15 Years**

\* cited by examiner

(21) Appl. No.: **29/601,593**

*Primary Examiner* — Holly H Baynham  
(74) *Attorney, Agent, or Firm* — Avery N. Goldstein;  
Blue Filament Law, PLLC

(22) Filed: **Apr. 24, 2017**

(57) **CLAIM**

(30) **Foreign Application Priority Data**

The ornamental design for a handbag, as shown and described.

Feb. 27, 2017 (WO) ..... DM095131

**DESCRIPTION**

(51) **LOC (11) Cl.** ..... **03-01**

(52) **U.S. Cl.**  
USPC ..... **D3/243**

(58) **Field of Classification Search**  
USPC ..... D3/232–233, 240–243, 245–246  
CPC ..... A45C 1/024; A45C 3/06  
See application file for complete search history.

FIG. 1 is a perspective view of a handbag showing my new design;  
FIG. 2 is a front view thereof;  
FIG. 3 is a right side view thereof;  
FIG. 4 is left side view thereof;  
FIG. 5 is a back view thereof;  
FIG. 6 is a top view thereof; and,  
FIG. 7 is a bottom view thereof.

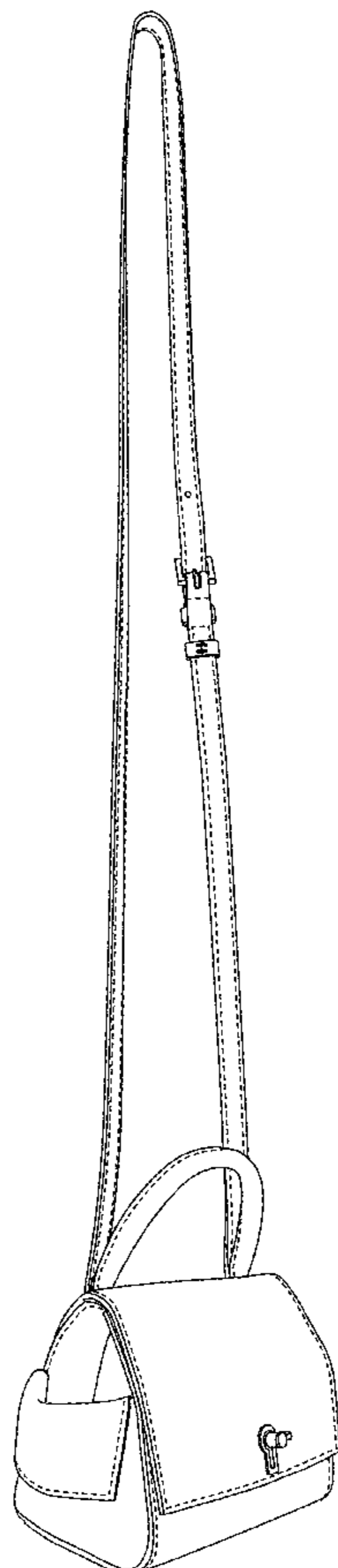
(56) **References Cited**

Dashed lines associated with the edges of the handbag denote stitching and are part of the inventive design.

**U.S. PATENT DOCUMENTS**

D263,649 S \* 4/1982 Schimmel ..... D3/243  
D656,731 S \* 4/2012 Brusa ..... D3/318

**1 Claim, 5 Drawing Sheets**



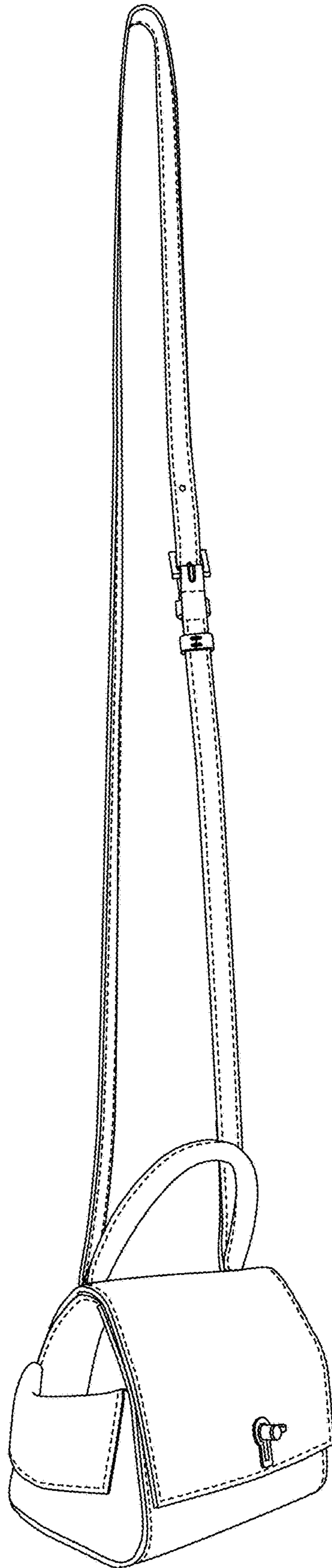


FIG 1

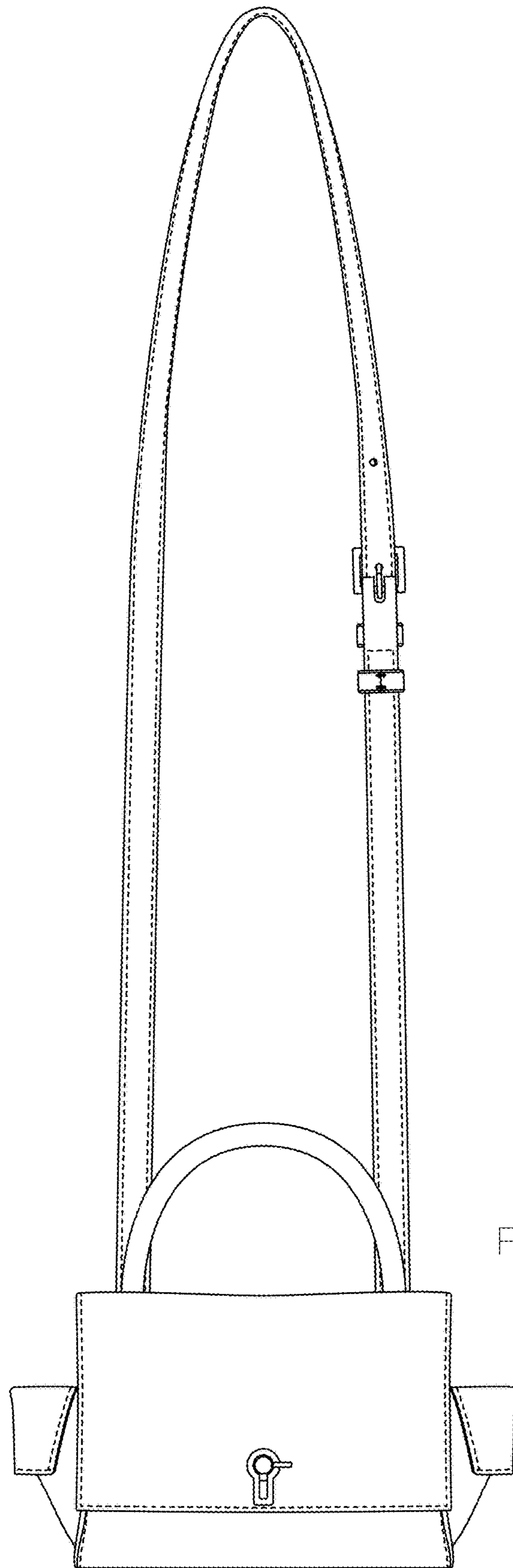
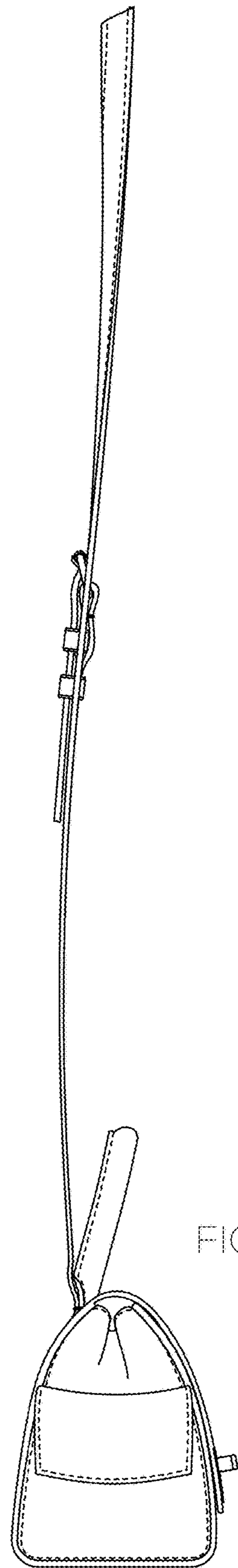
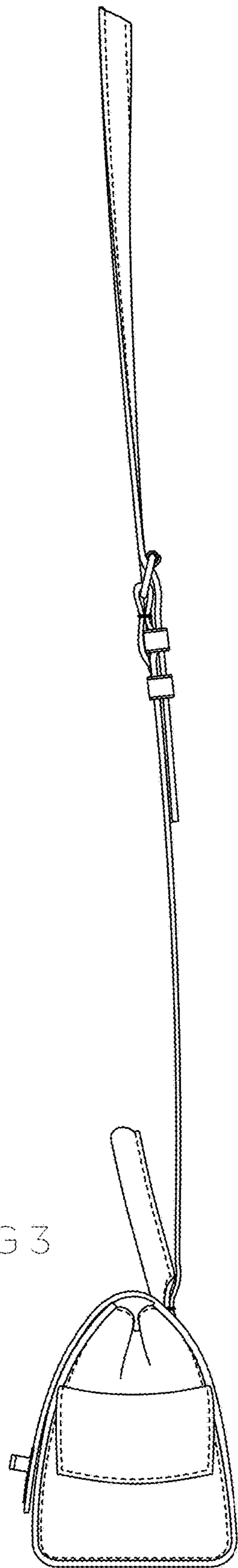


FIG 2



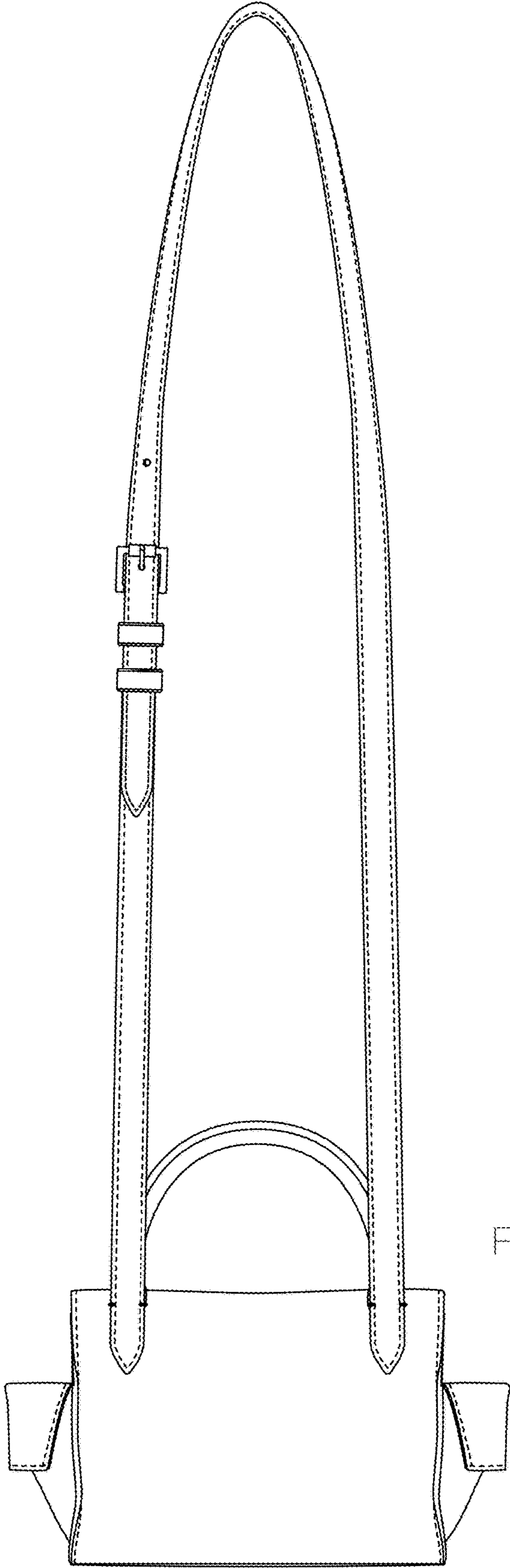


FIG 5

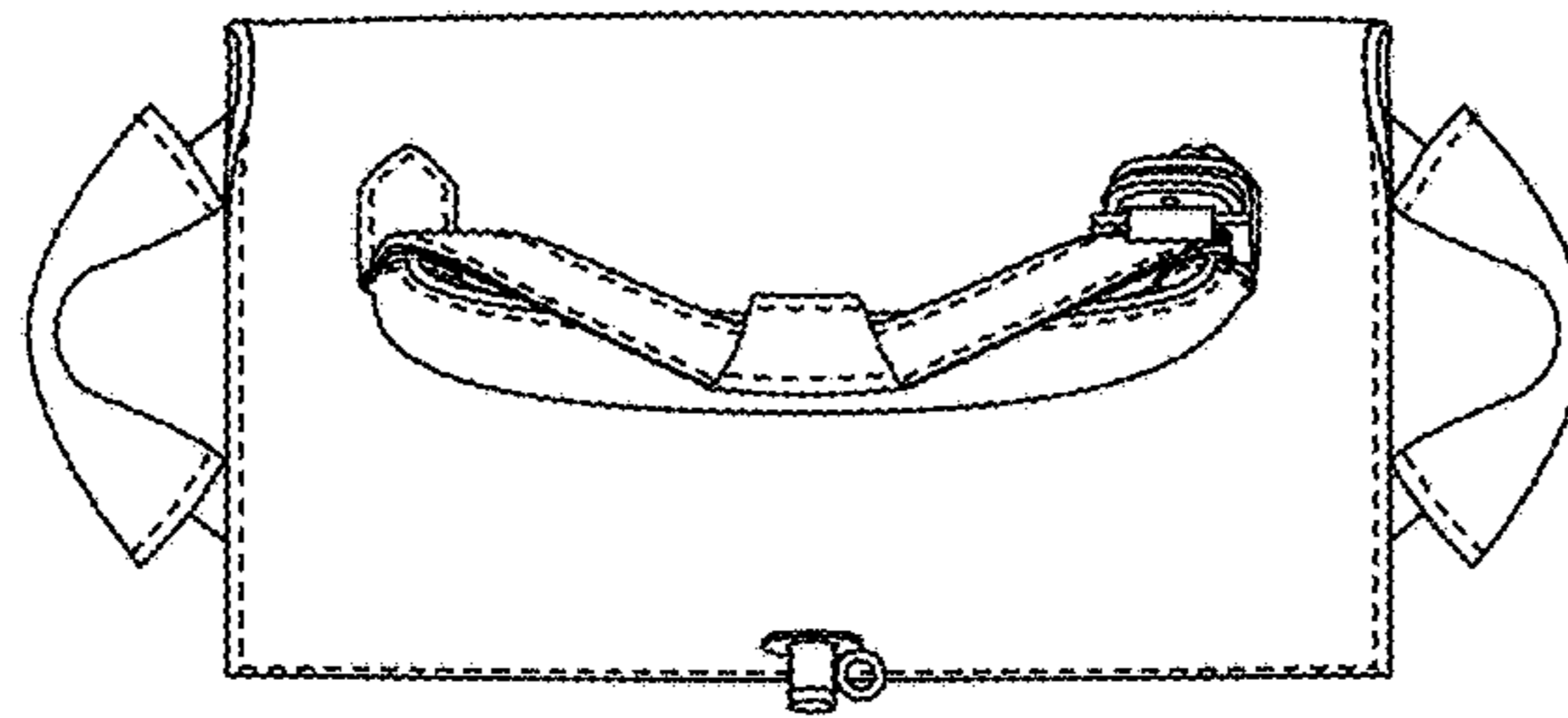


FIG 6

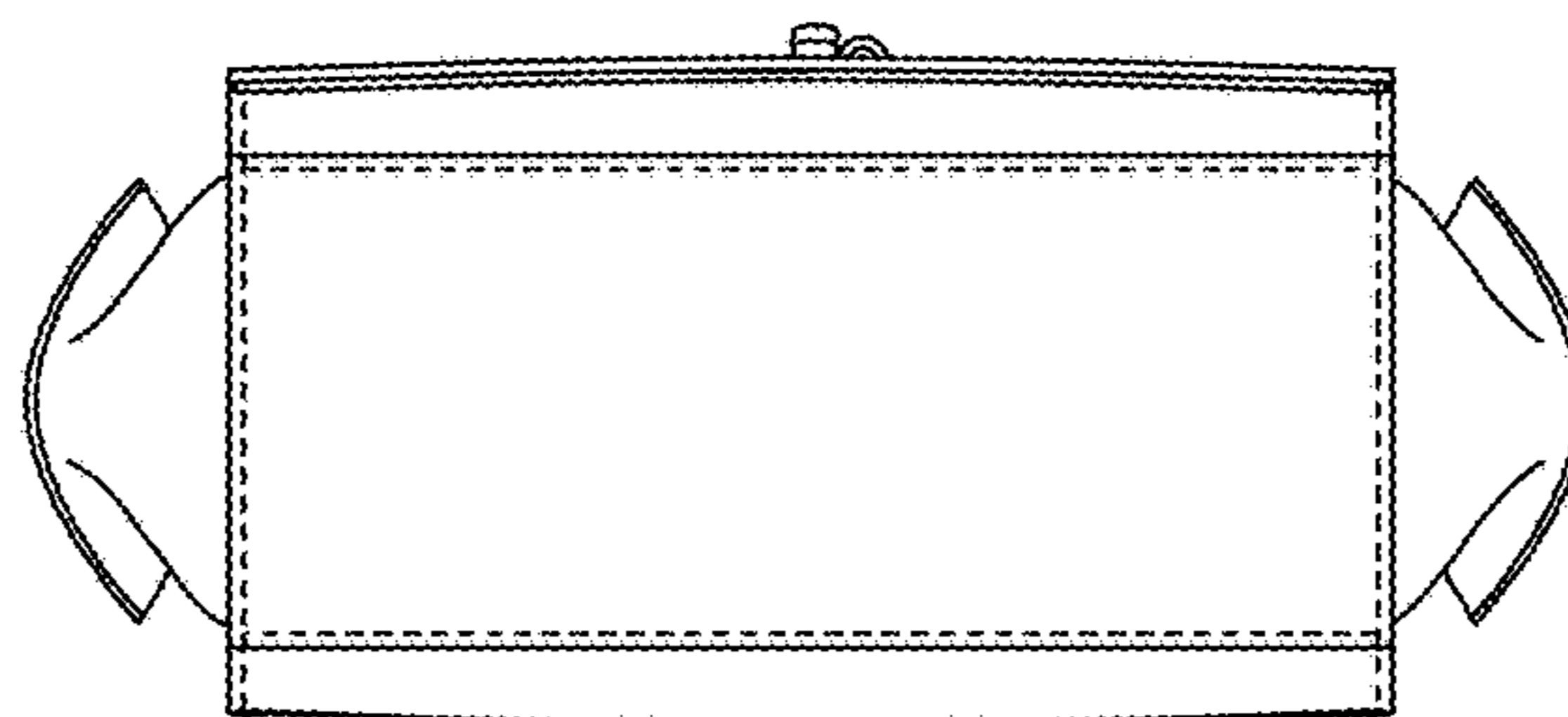


FIG 7