



US00D832571S

(12) **United States Design Patent** (10) **Patent No.:** **US D832,571 S**
Franklin-Daisey (45) **Date of Patent:** **** Nov. 6, 2018**

(54) **CARRYALL TOTE BAG**

(71) Applicant: **Lisa Franklin-Daisey**, Silver Spring, MD (US)

(72) Inventor: **Lisa Franklin-Daisey**, Silver Spring, MD (US)

(**) Term: **15 Years**

(21) Appl. No.: **29/540,600**

(22) Filed: **Sep. 25, 2015**

(51) **LOC (11) Cl.** **03-01**

(52) **U.S. Cl.**
USPC **D3/201**

(58) **Field of Classification Search**

USPC D3/201, 205, 242, 273, 274, 275, 276, D3/279, 281, 282, 283, 284, 289, 292, D3/294, 295, 296, 297, 299, 301, 302, D3/901, 903, 905; D9/414
CPC A45C 5/04; A45C 11/00; A45C 11/16
See application file for complete search history.

(56) **References Cited**

U.S. PATENT DOCUMENTS

D620,249 S *	7/2010	Yu	D3/232
D630,013 S *	1/2011	Yu	D3/232
D630,433 S *	1/2011	Targett	D3/232
D630,844 S *	1/2011	Wang	D3/232
D631,651 S *	2/2011	Lee	D3/232
D637,809 S *	5/2011	Meldeau	D3/232
D641,157 S *	7/2011	Steele	D3/232
D641,549 S *	7/2011	Caldwell	D3/232
D672,951 S *	12/2012	Boone	D3/245
D688,449 S *	8/2013	Schinasi	D3/232

(Continued)

Primary Examiner — Sandra S Snapp
Assistant Examiner — Holly E Thurman

(74) *Attorney, Agent, or Firm* — Cahn & Samuels, LLP

(57) **CLAIM**

The ornamental design for a carryall tote bag, as shown and described.

DESCRIPTION

FIG. 1 is a first perspective side view, showing the carryall tote bag; comprised of an outer shell bag, a closable nesting bag, and three open-top nesting bags.

FIG. 2 is a second, opposite perspective side view thereof. FIG. 3 is an exploded perspective view of the outer shell bag, a closable nesting bag, and three open-top nesting bags thereof.

FIG. 4 is a first perspective side view showing only the outer shell bag of FIG. 1.

FIG. 5 is a second opposite perspective side view thereof.

FIG. 6 is an end elevation view thereof.

FIG. 7 is a side elevation view thereof.

FIG. 8 is a bottom plan view thereof.

FIG. 9 is a first perspective end view of the closable nesting bag disclosed in FIG. 3.

FIG. 10 is a second opposite perspective end view thereof.

FIG. 11 is a side elevation view thereof.

FIG. 12 is an end elevation view thereof.

FIG. 13 is a bottom plan view thereof.

FIG. 14 is a first perspective end view of the open-top nesting bag disclosed in FIG. 3.

FIG. 15 is a second opposite perspective end view thereof.

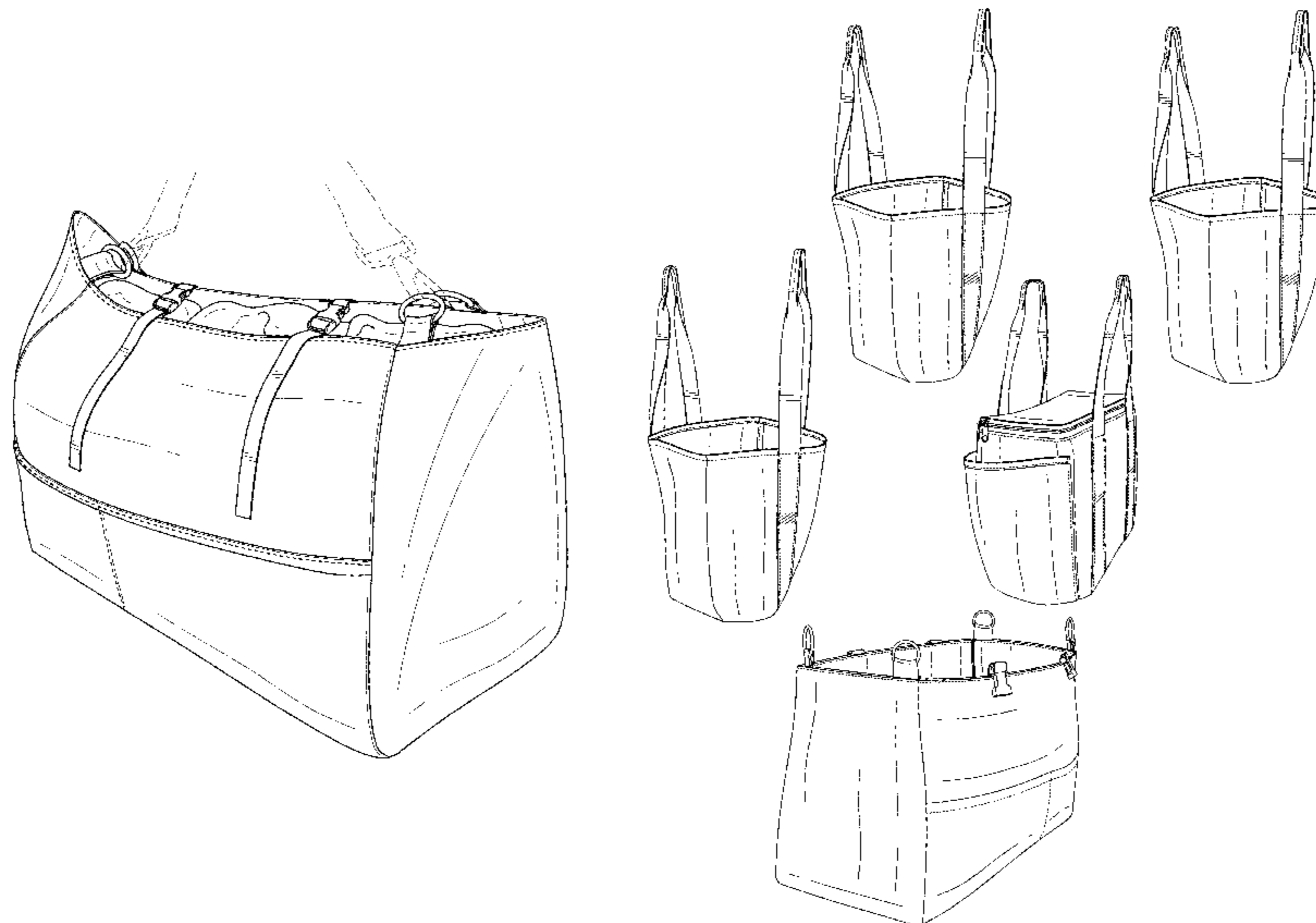
FIG. 16 is a side elevation view thereof.

FIG. 17 is an end elevation view thereof; and,

FIG. 18 is a bottom plan view thereof.

The broken line straps and clips disclosed in FIG. 1 form no part of the claimed design. The broken lines disclosed in FIG. 8 depict unclaimed portions of the bottom of the carryall tote, and form no part of the claimed design. All other broken lines disclosed on the surfaces of the carryall tote bag depict claimed stitching and form part of the claimed design.

1 Claim, 10 Drawing Sheets



(56)

References Cited

U.S. PATENT DOCUMENTS

D711,096	S	*	8/2014	Hanna	D3/232
D712,653	S	*	9/2014	Van Migem	D3/232
D717,040	S	*	11/2014	Swartzel	D3/232
D720,925	S	*	1/2015	Jones	D3/232
D758,719	S	*	6/2016	Harper	D3/232
D761,561	S	*	7/2016	Cheng	D3/246
D763,570	S	*	8/2016	Potts	D3/232
D764,791	S	*	8/2016	Patel	D3/232
D768,378	S	*	10/2016	Schilp	D3/232
D778,045	S	*	2/2017	Ruddis	D3/232
D785,325	S	*	5/2017	Samrelius	D3/246
D787,823	S	*	5/2017	Nair	D3/232
D801,043	S	*	10/2017	Lucas	D3/246

* cited by examiner

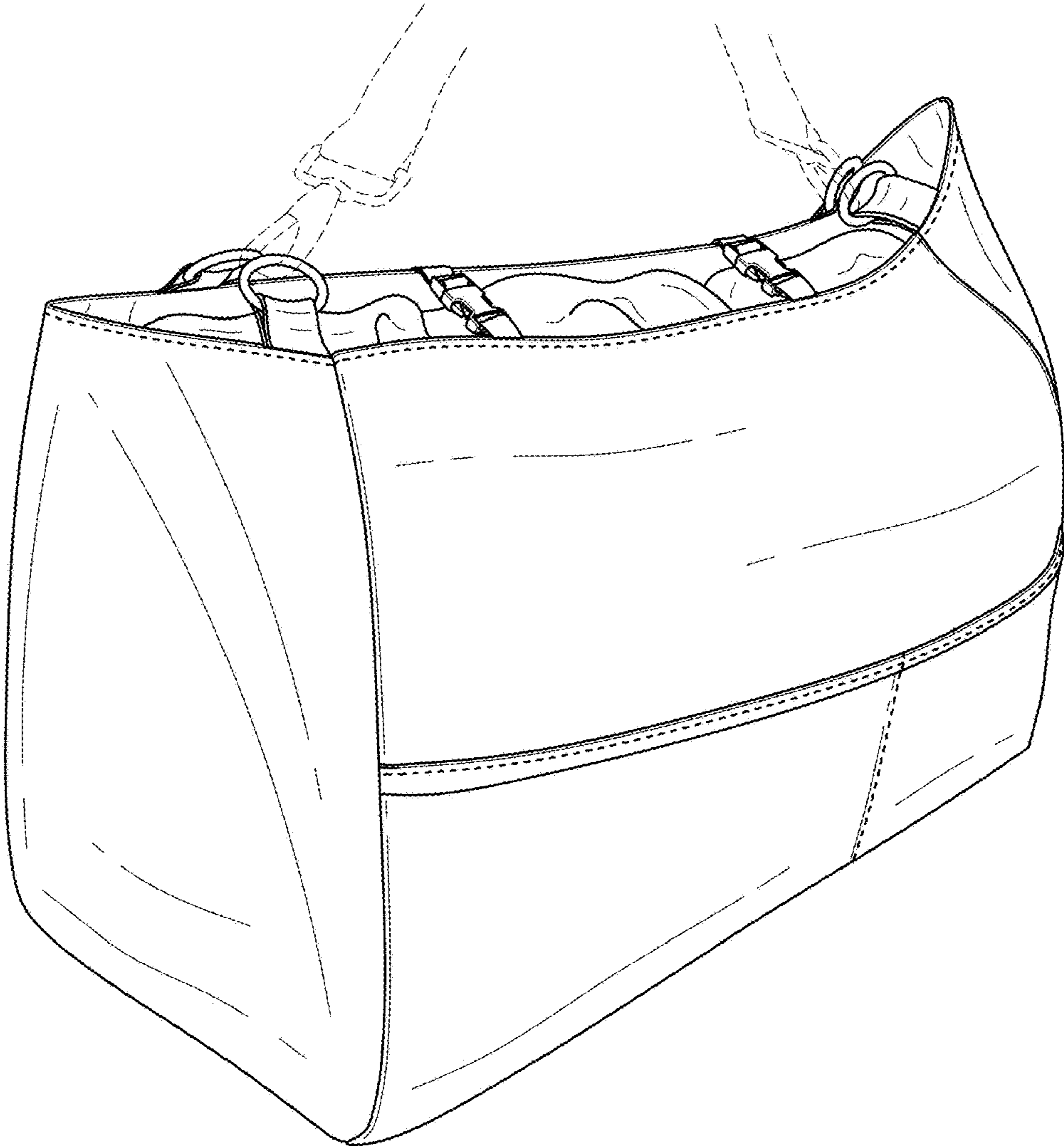


FIG. 1

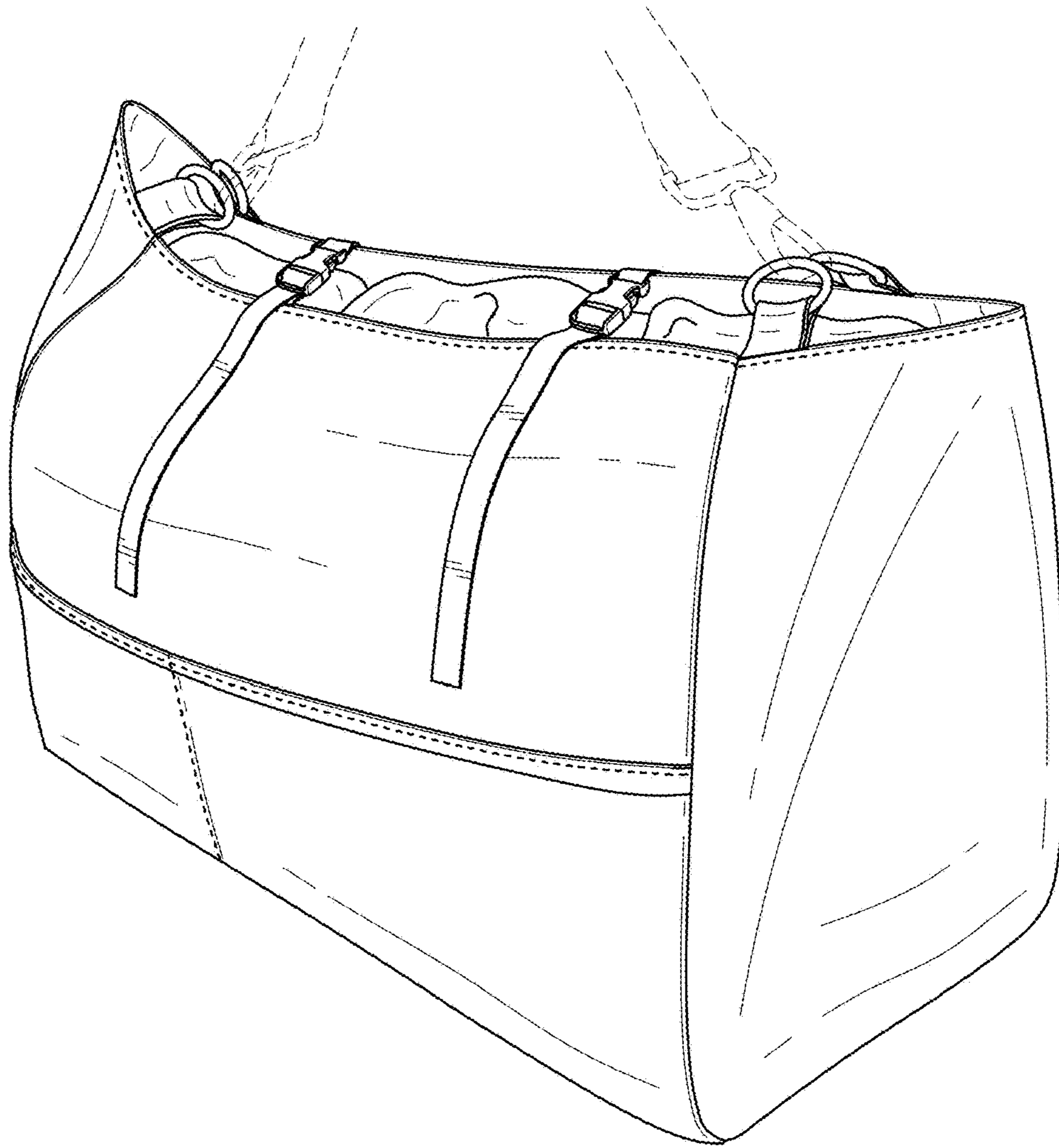


FIG. 2

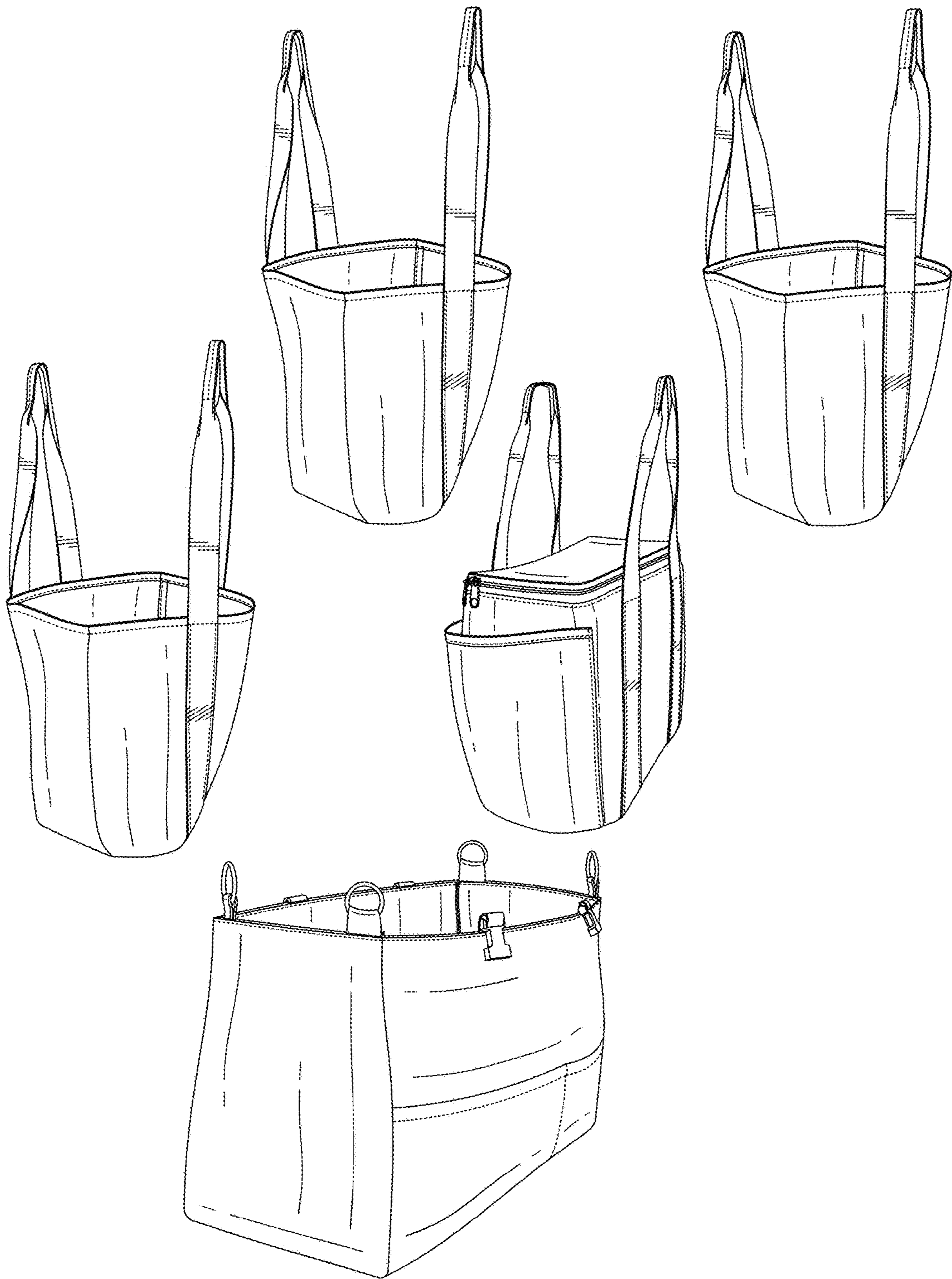


FIG. 3

FIG. 4

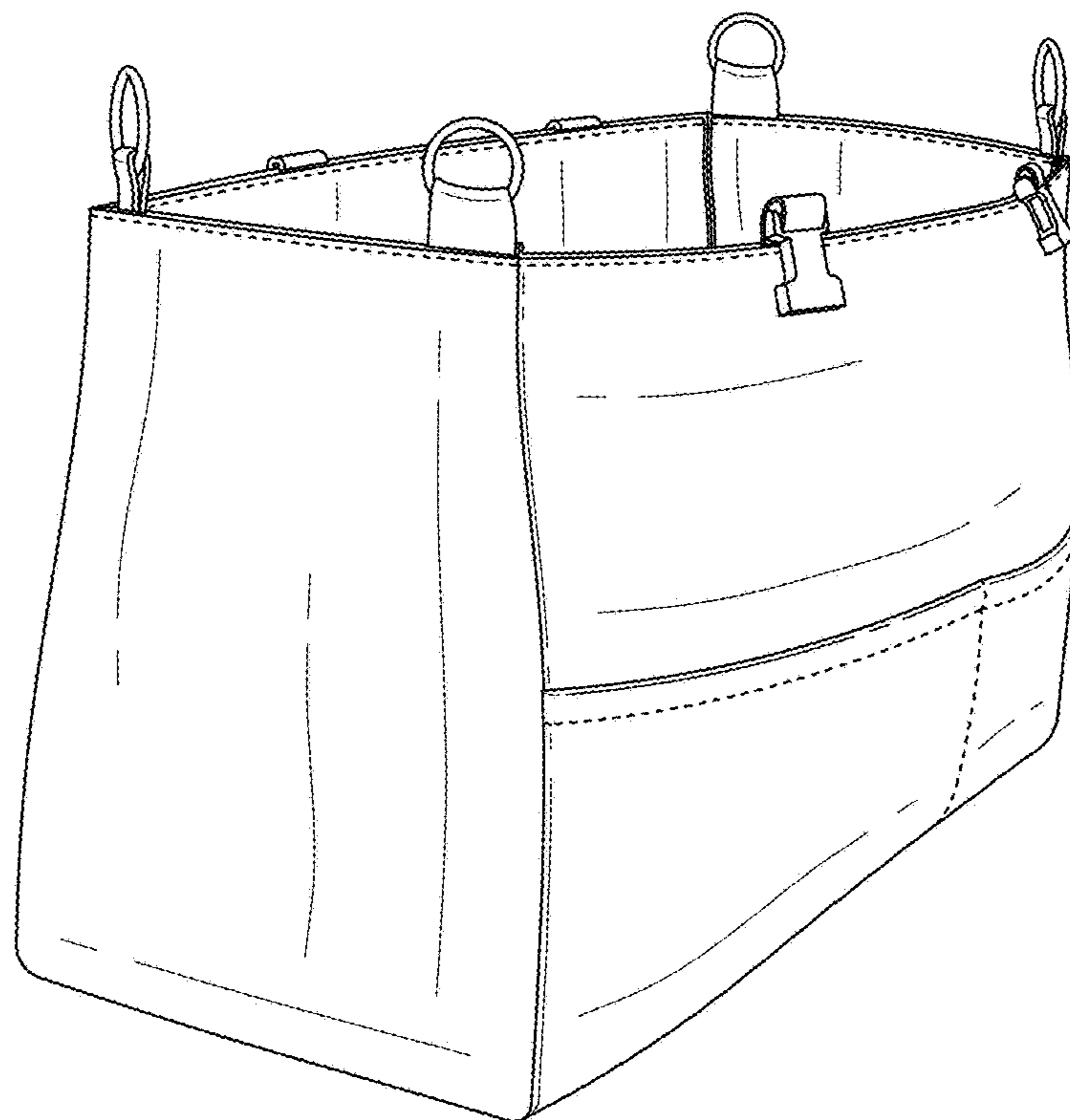
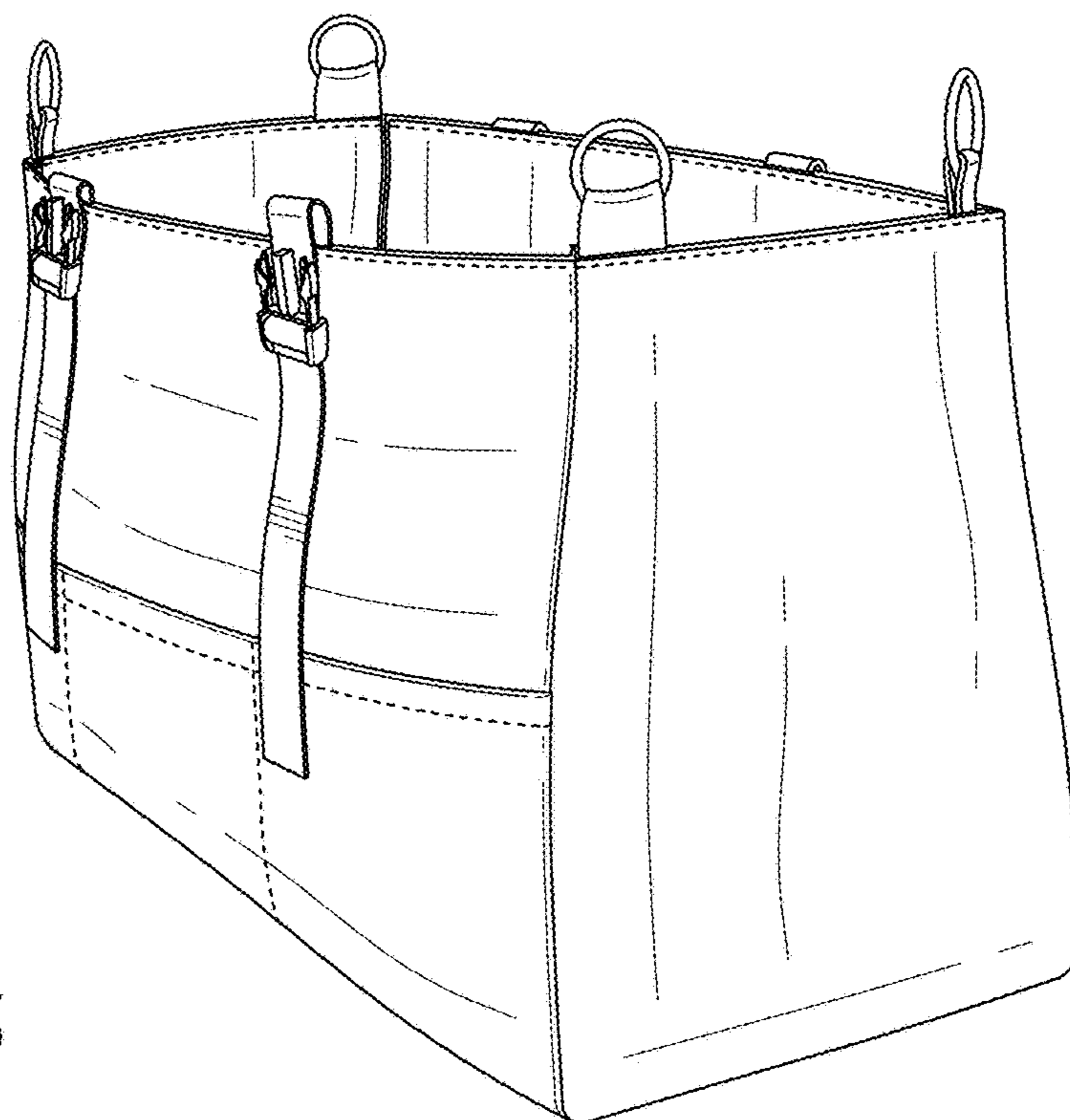


FIG. 5



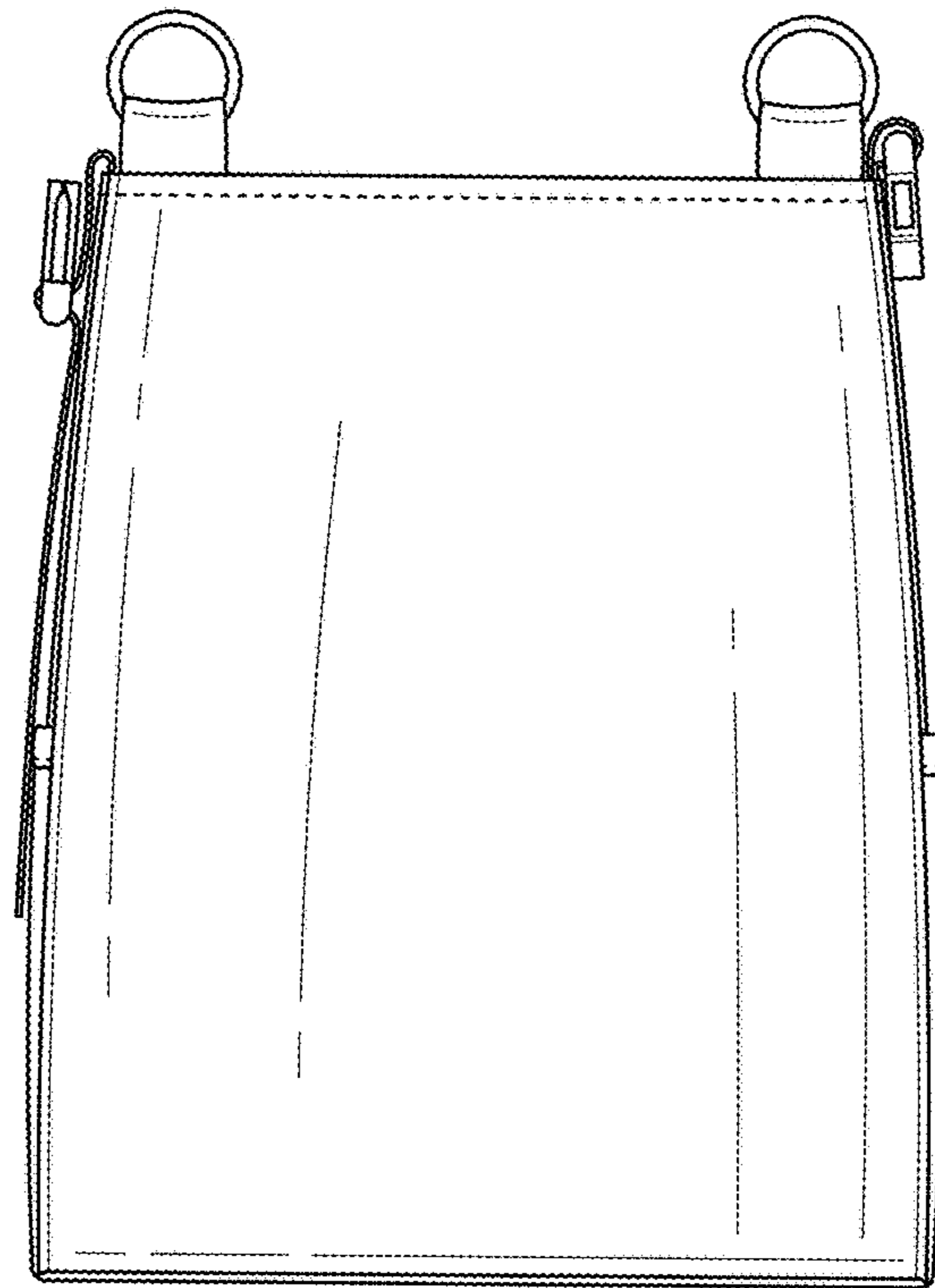


FIG. 6

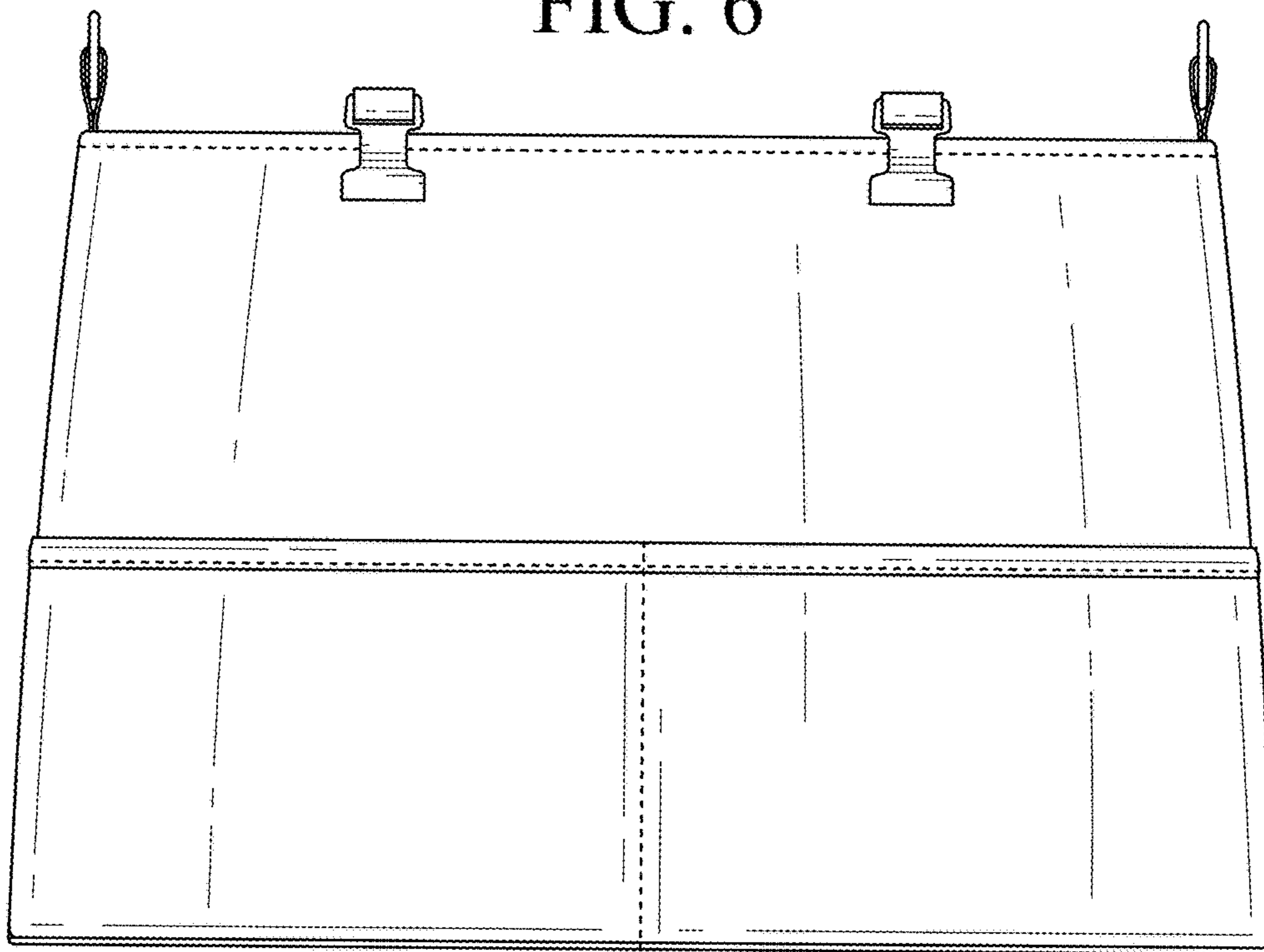


FIG. 7

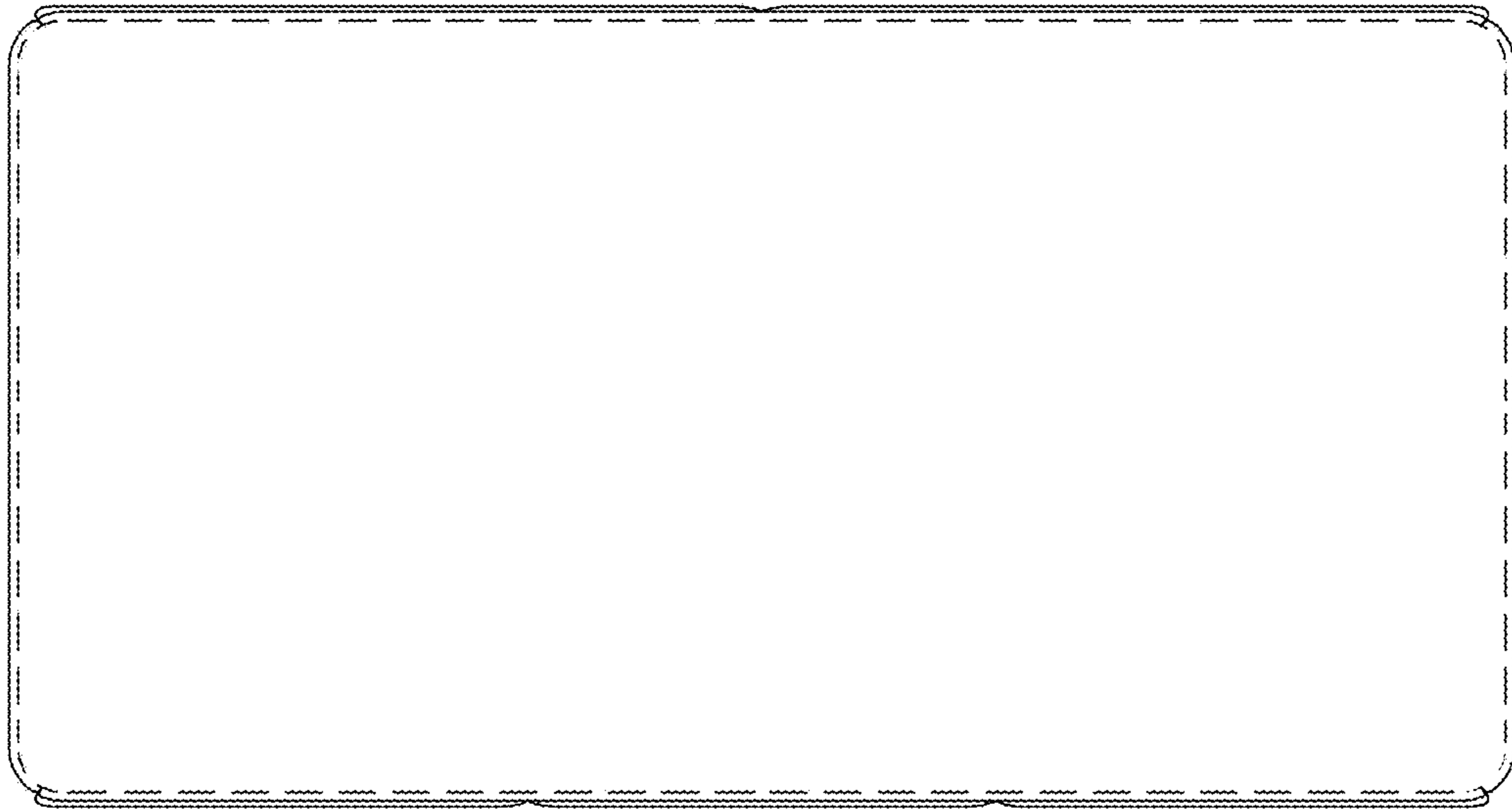


FIG. 8

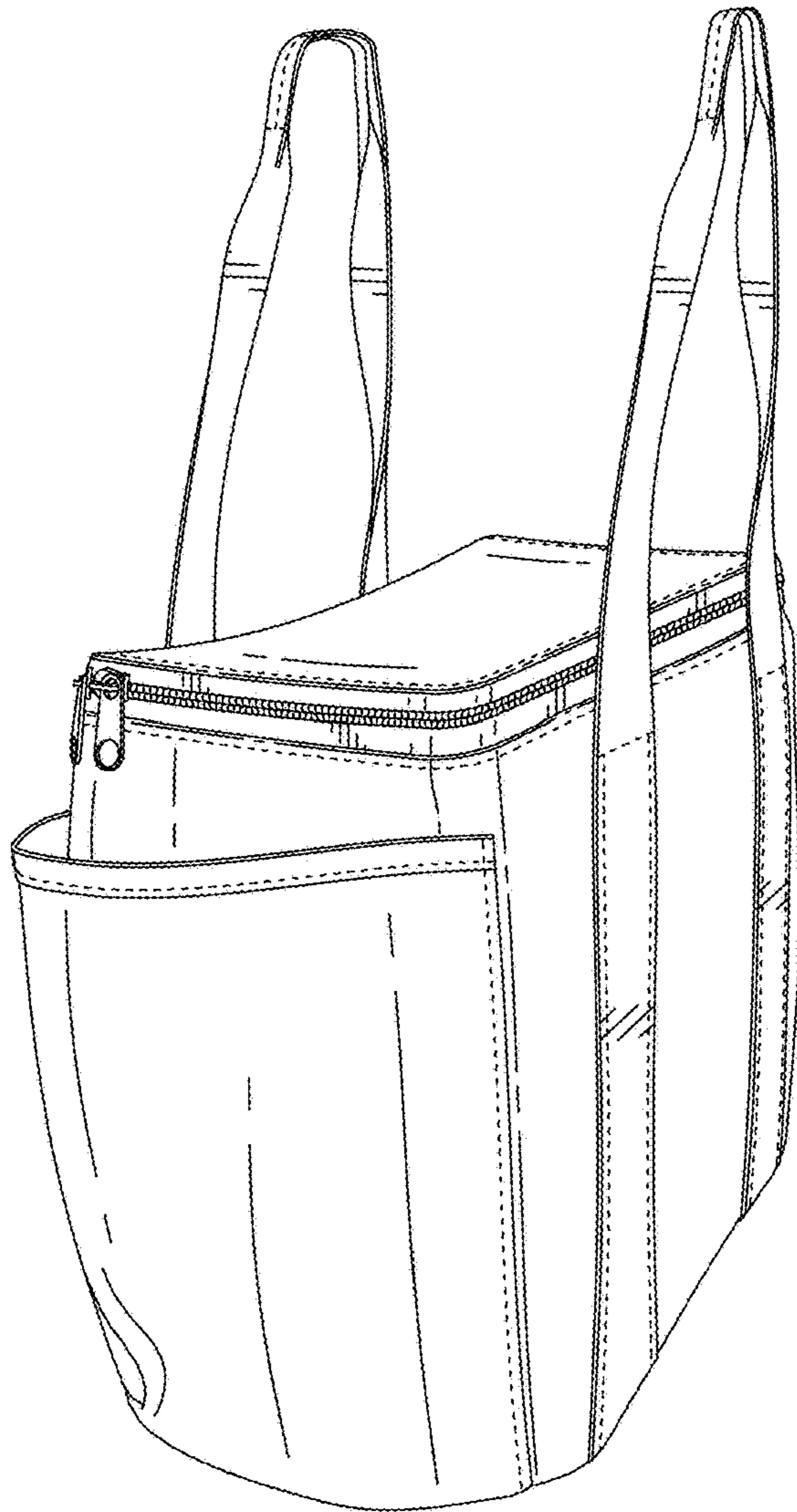
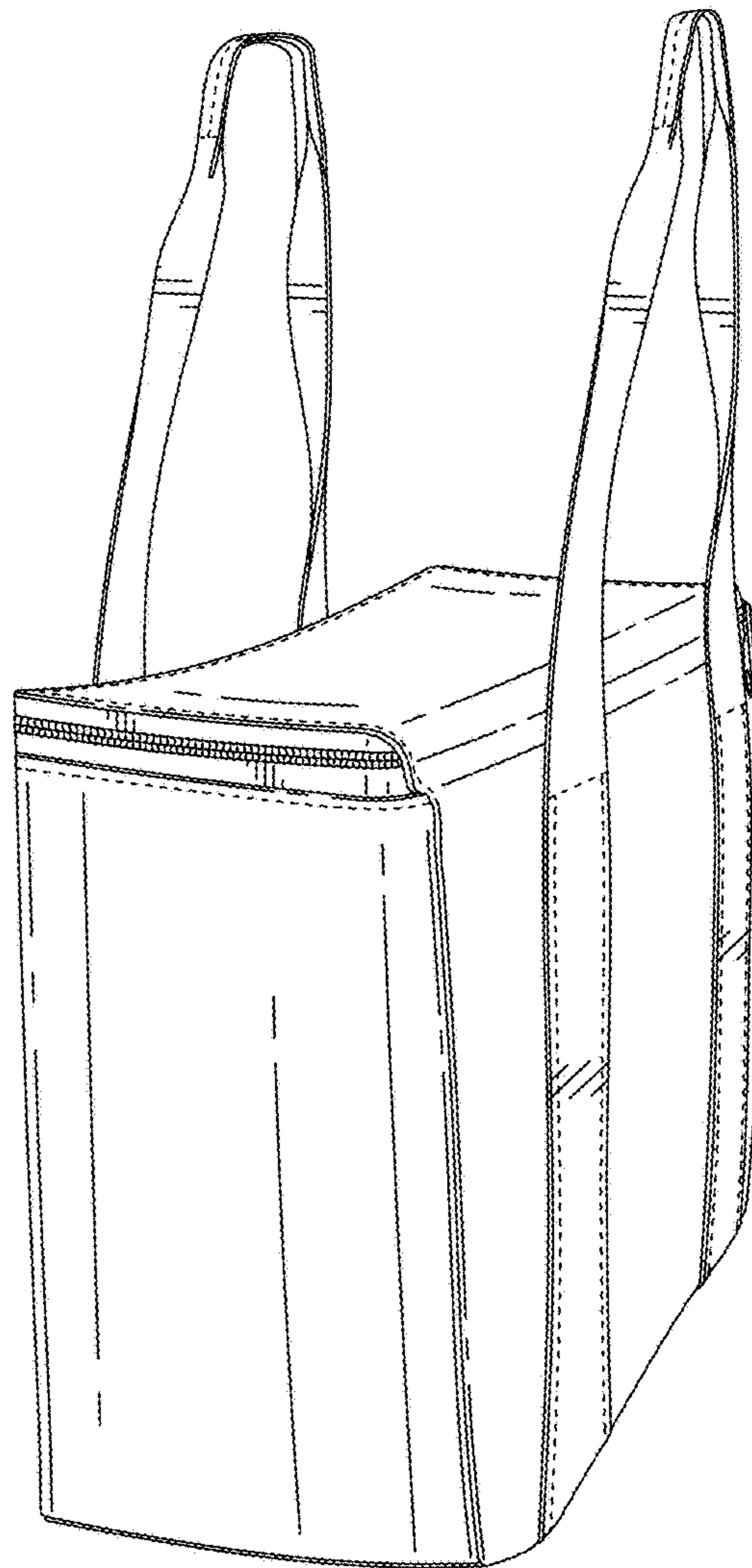


FIG. 10

FIG. 9



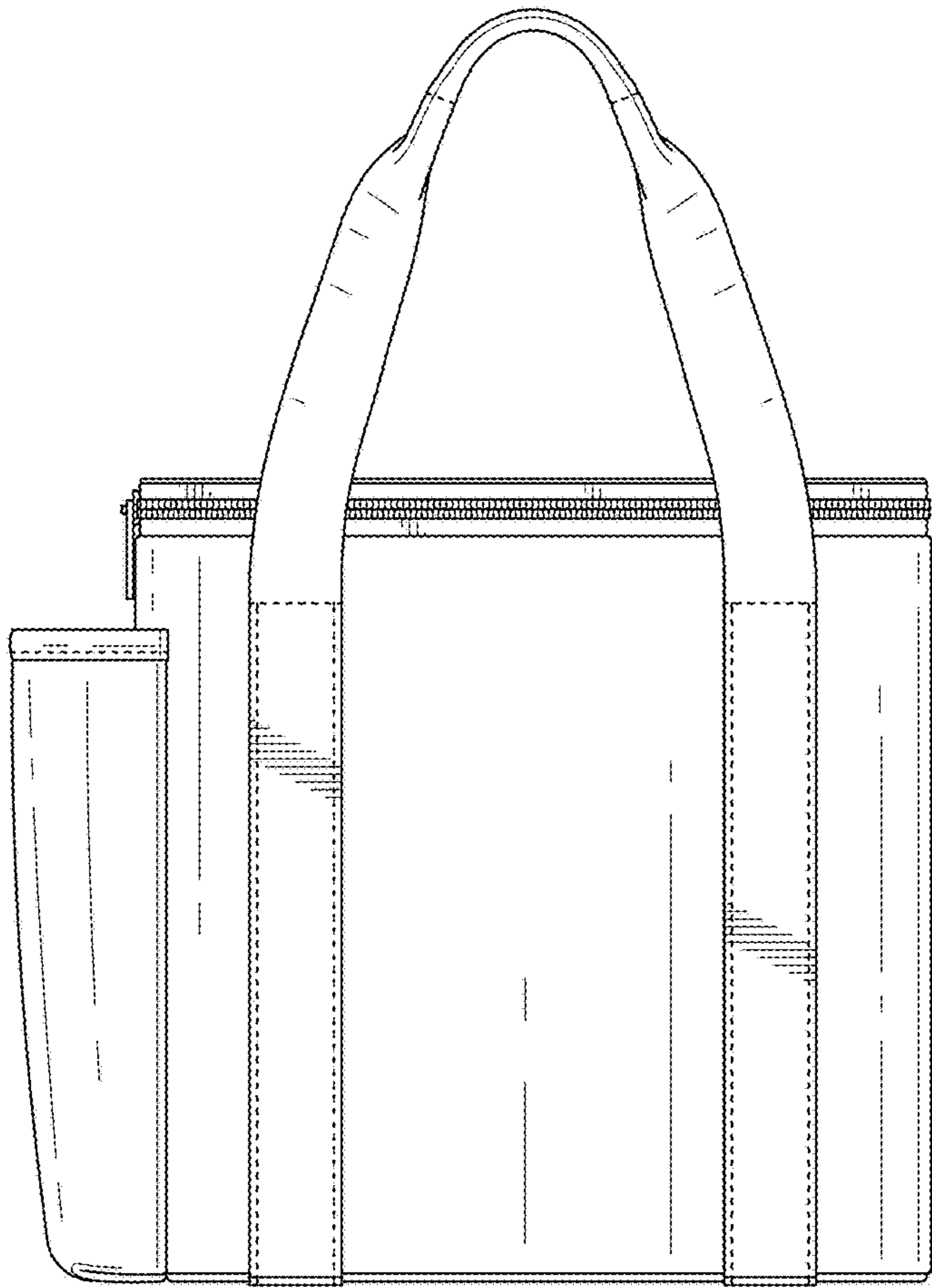


FIG. 11

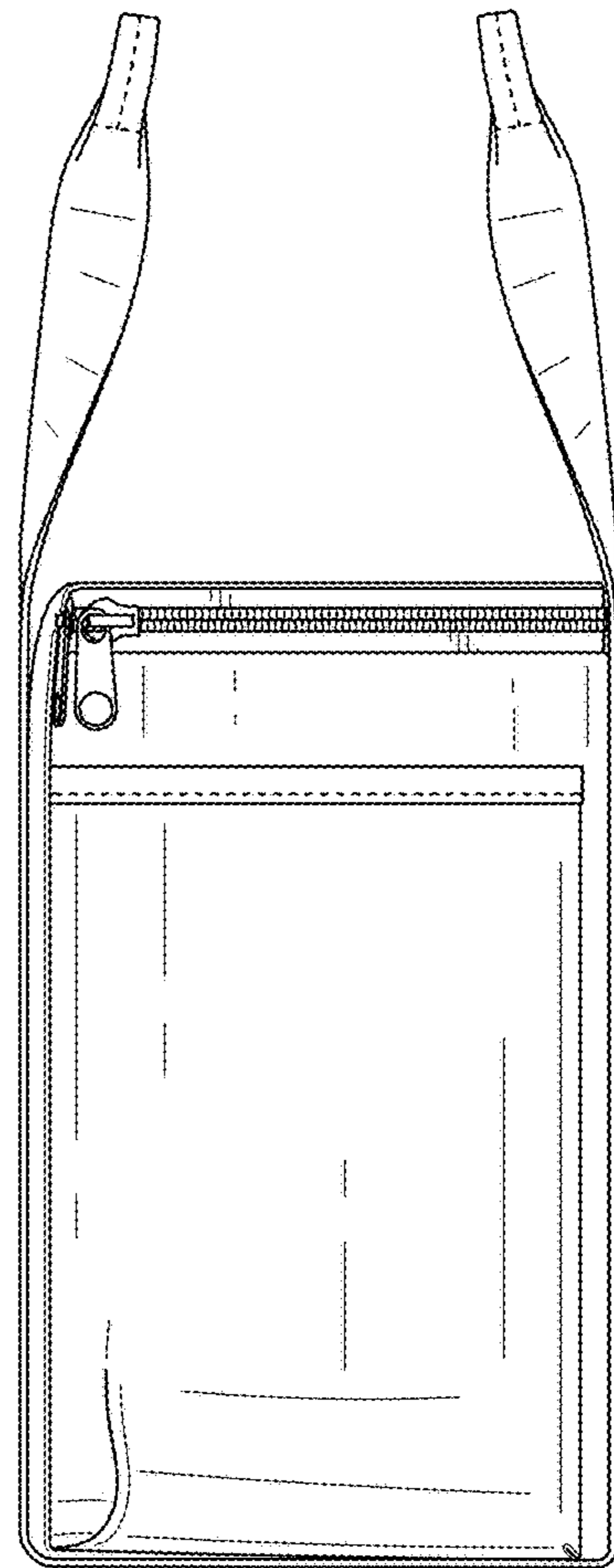


FIG. 12

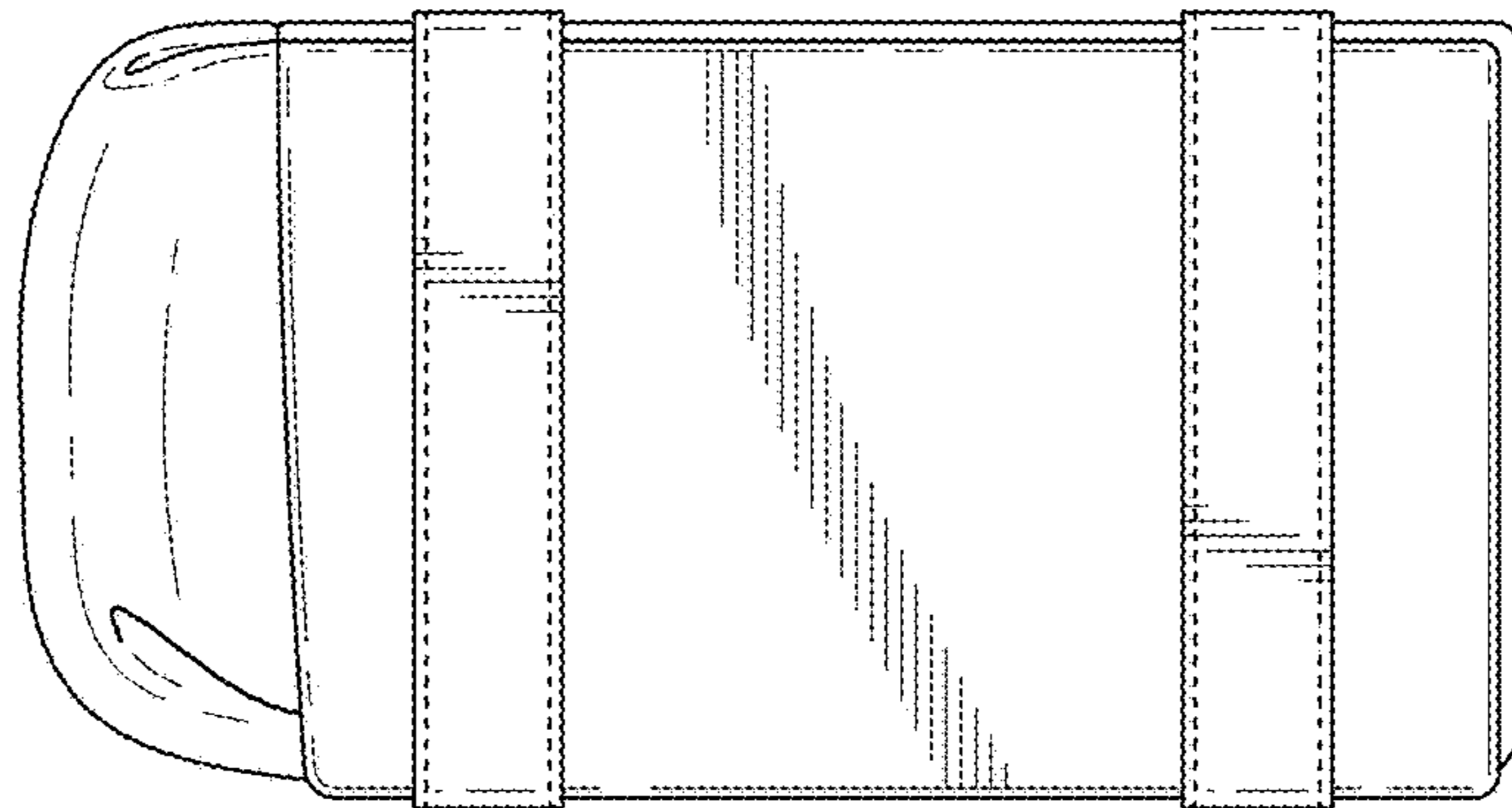


FIG. 13

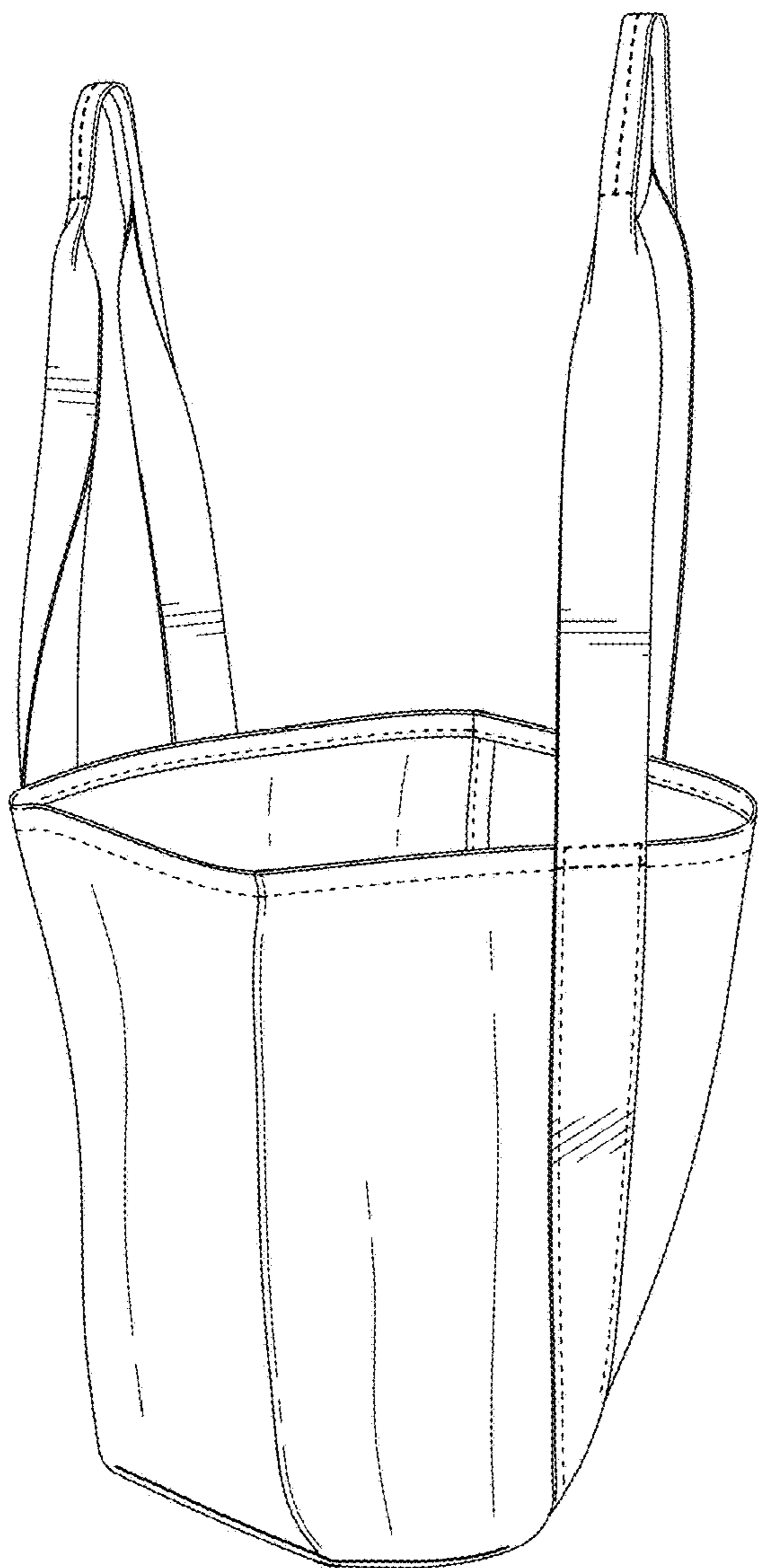


FIG. 14

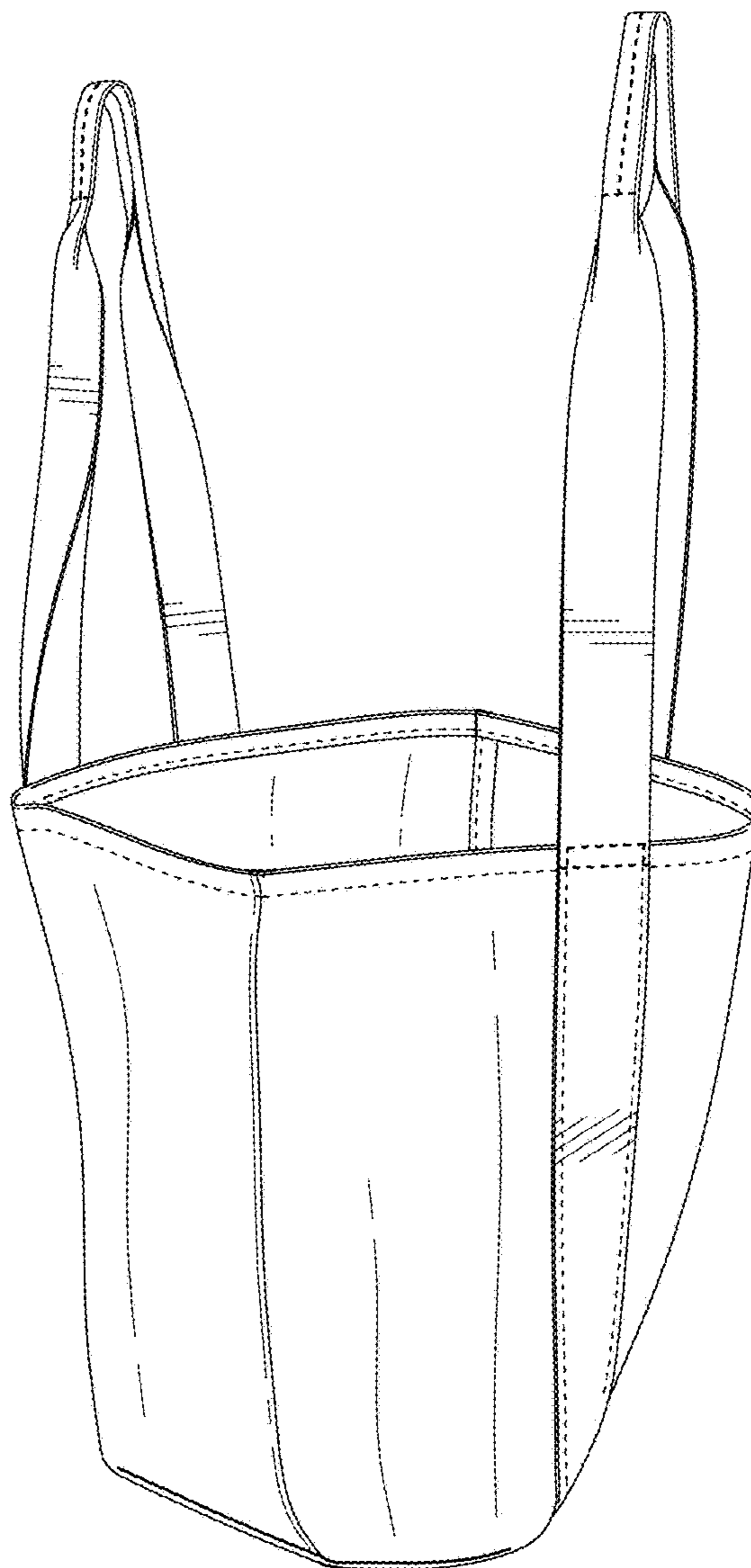


FIG. 15

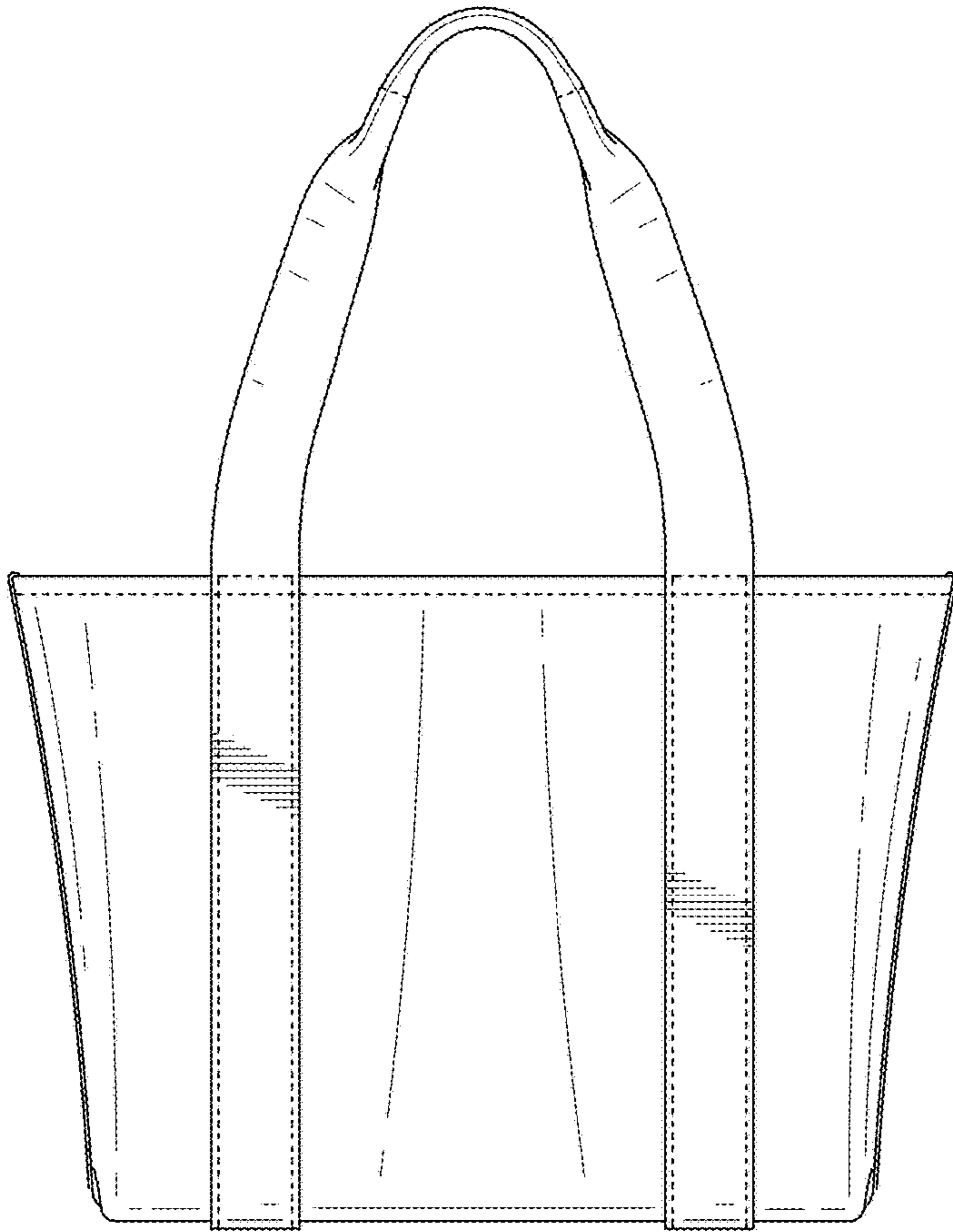


FIG. 16

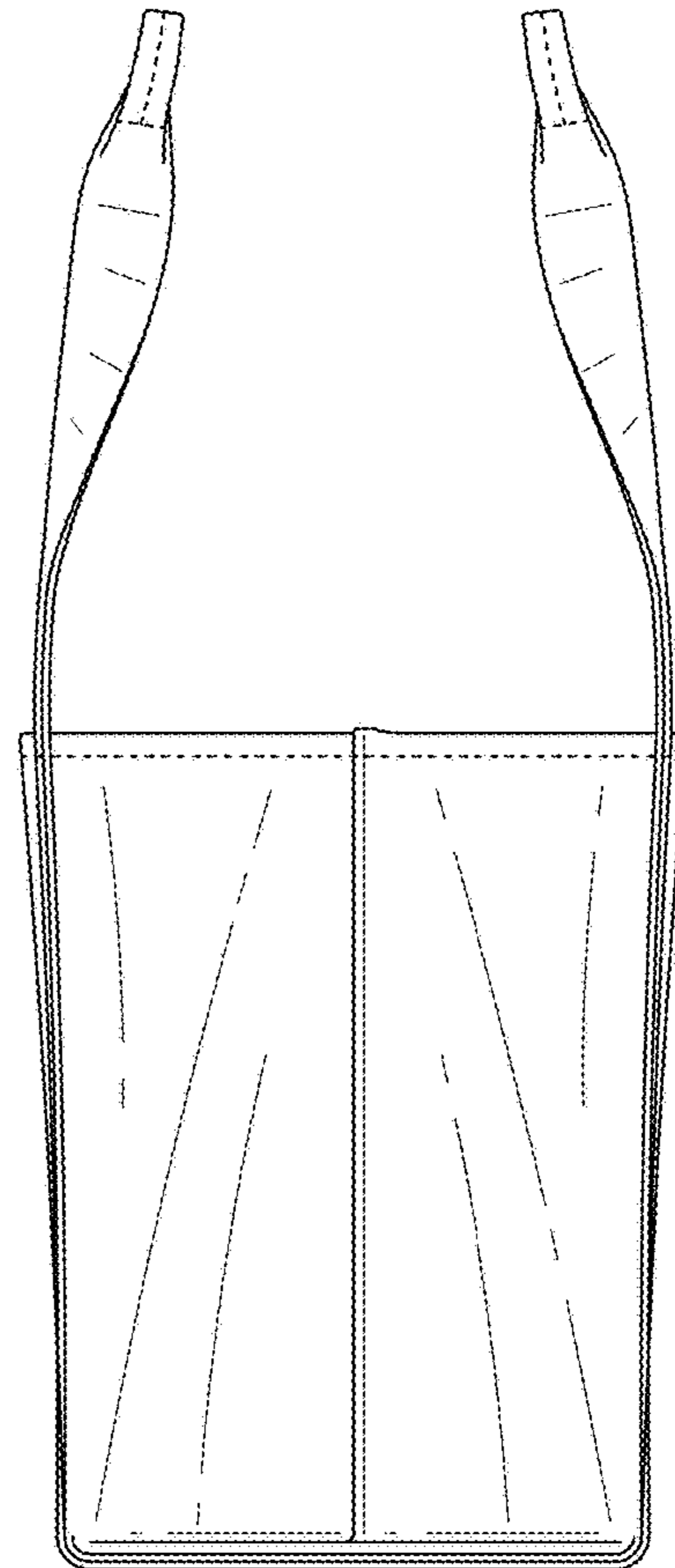


FIG. 17

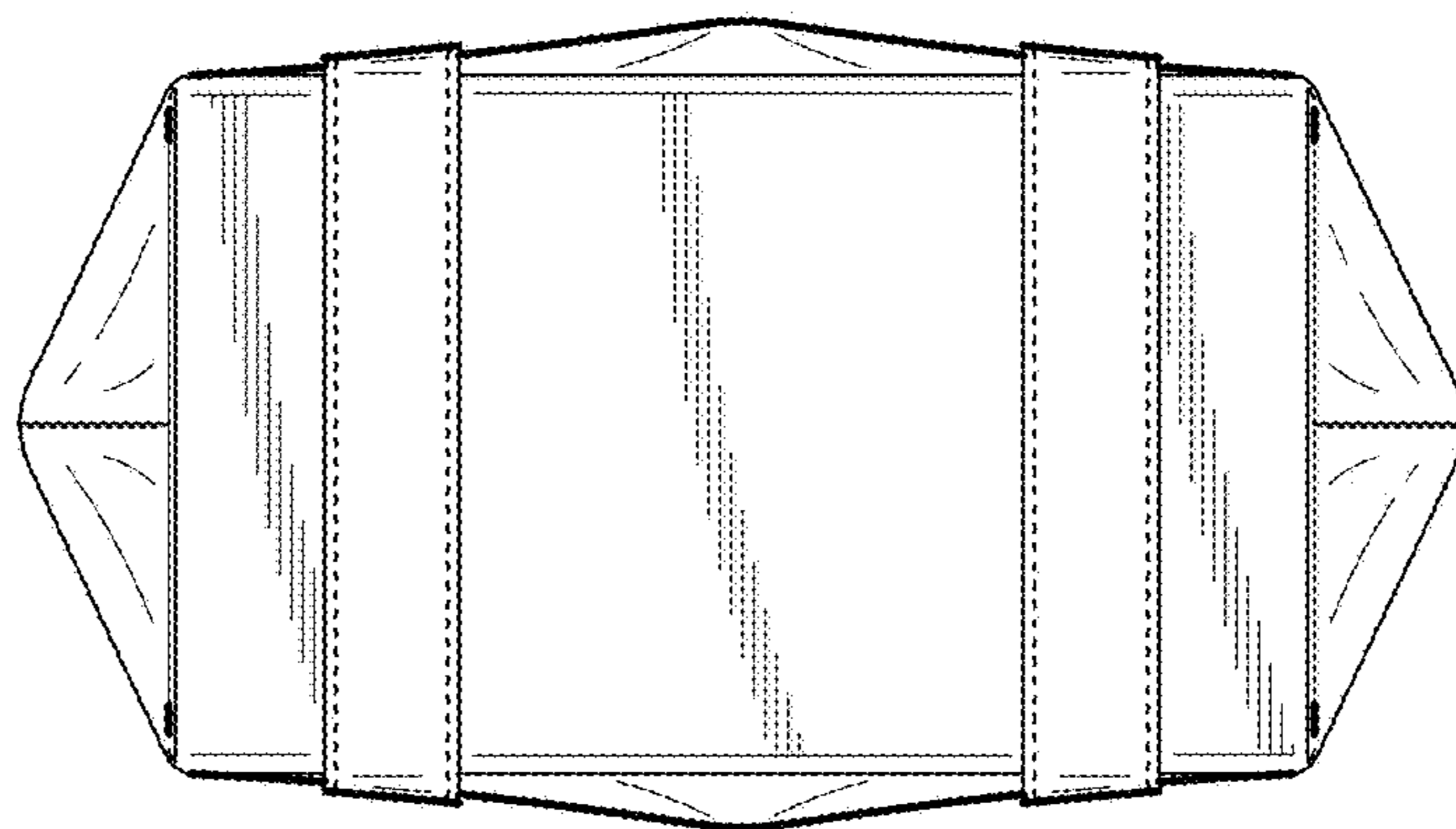


FIG. 18