



US00D832553S

(12) **United States Design Patent** (10) **Patent No.:** **US D832,553 S**
Angelopoulos et al. (45) **Date of Patent:** **** Oct. 30, 2018**

(54) **SERVICE TERMINAL**

(71) Applicant: **Intralot S.A.—Integrated Lottery Systems and Services**, Athens (GR)

(72) Inventors: **Nikolaos Angelopoulos**, Athens (GR); **Apostolos Dalas**, Athens (GR)

(73) Assignee: **Intralot S.A.—Integrated Lottery Systems and Services**, Athens (GR)

(**) Term: **15 Years**

(21) Appl. No.: **29/616,450**

(22) Filed: **Sep. 6, 2017**

(51) **LOC (11) Cl.** **99-00**

(52) **U.S. Cl.**
USPC **D99/28**

(58) **Field of Classification Search**

USPC D99/28, 34, 35, 36, 43, 99;
D14/300–302, 305, 307, 900–902;
D18/3.1–3.3, 4.1–4.6, 12.1–12.3;
D21/324, 325, 329, 369, 370; 101/66;
109/1 R, 1 V, 2, 23, 24.1, 25, 58, 58.5,
109/66; 446/8–13; 705/16, 17, 18, 42,
705/43, 44, 45; 235/51, 379, 380, 381,
235/382, 382.5, 386; 206/0.8, 0.81,
206/0.815, 0.82, 0.84
CPC .. G06Q 20/10; G06Q 20/108; G06Q 20/1085;
G06Q 20/18; G07D 1/00; G07D 1/02;
G07D 1/04; G07D 1/06; G07D 11/00;
G07D 9/002; G07D 9/04; G07F 19/20;
G07F 19/201; G07F 19/202; G07F
19/203; G07F 19/204; G07F 19/105;
G07F 19/21; G07F 19/00; G07F 7/04;
G07F 5/00; G07F 1/00; E05G 7/001;
E05G 1/006; A63H 33/00; A63H 33/005

See application file for complete search history.

(56) **References Cited**

U.S. PATENT DOCUMENTS

D318,553 S	*	7/1991	Brown	D99/28
D395,129 S	*	6/1998	Johnson	D14/130
D401,973 S	*	12/1998	Isshiki	D20/10
D402,782 S	*	12/1998	Johnson	D99/28
D415,330 S	*	10/1999	King	D14/900
D419,277 S	*	1/2000	Ishii	D99/28
D492,080 S	*	6/2004	Magee	D99/28
D530,880 S	*	10/2006	Magee	D99/28
D584,875 S	*	1/2009	Bleck	D99/28
D596,374 S	*	7/2009	Kang	D99/28

(Continued)

Primary Examiner — Elizabeth J Oswecki

(74) *Attorney, Agent, or Firm* — Greenberg Traurig, LLP

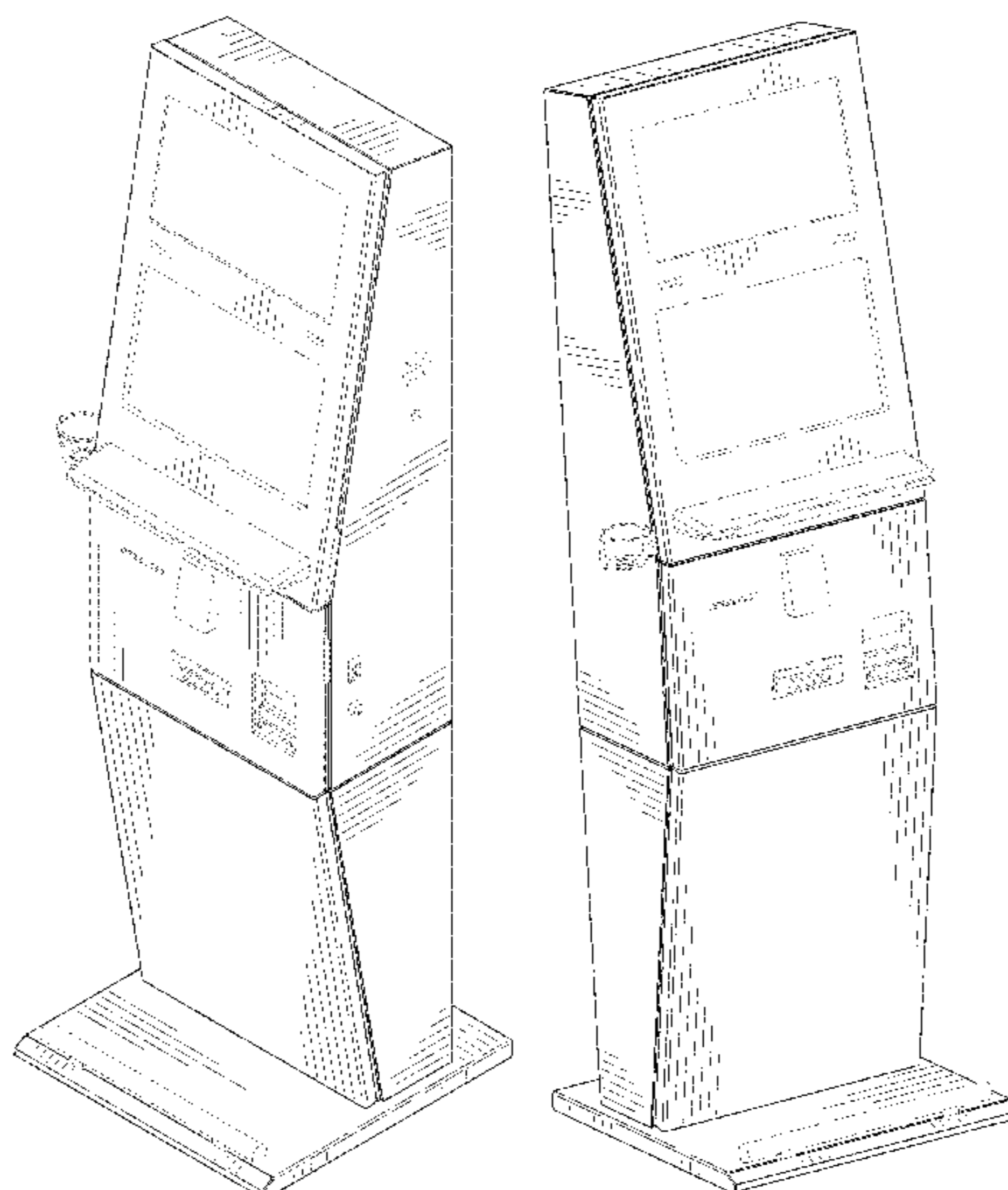
(57) **CLAIM**

The ornamental design for a service terminal, as shown and described.

DESCRIPTION

FIG. 1 is a front right perspective view of a service terminal showing our new design;
FIG. 2 is a front view of the service terminal shown in FIG. 1;
FIG. 3 is a rear view of the service terminal shown in FIG. 1;
FIG. 4 is a left side view of the service terminal shown in FIG. 1;
FIG. 5 is a right side view of the service terminal shown in FIG. 1;
FIG. 6 is a top view of the service terminal shown in FIG. 1;
FIG. 7 is a bottom view of the service terminal shown in FIG. 1;
FIG. 8 is a front left perspective view of the service terminal shown in FIG. 1; and,
FIG. 9 is a rear perspective view of the service terminal shown in FIG. 1.
The broken lines are included to show features that form no part of the claimed design.

1 Claim, 8 Drawing Sheets



(56)

References Cited

U.S. PATENT DOCUMENTS

D597,275	S *	7/2009	Lee	D99/28
D625,305	S *	10/2010	Bleck	D14/307
D626,544	S *	11/2010	Bleck	D14/307
D626,545	S *	11/2010	Bleck	D14/307
D629,585	S *	12/2010	Bleck	D14/307
D645,223	S *	9/2011	Bleck	D14/307
D674,985	S *	1/2013	Lee	D14/900
D707,012	S *	6/2014	Swaine	D99/28
D769,570	S *	10/2016	Kraft	D99/28
D769,572	S *	10/2016	Park	D99/28
D789,021	S *	6/2017	Sato	D99/28
D792,049	S *	7/2017	Oh	D99/28
2004/0262379	A1 *	12/2004	Gomes	G06Q 30/06 235/379
2008/0296365	A1 *	12/2008	Schliebe	G01G 19/52 235/379
2009/0057398	A1 *	3/2009	Douglass	G07F 19/20 235/379

* cited by examiner

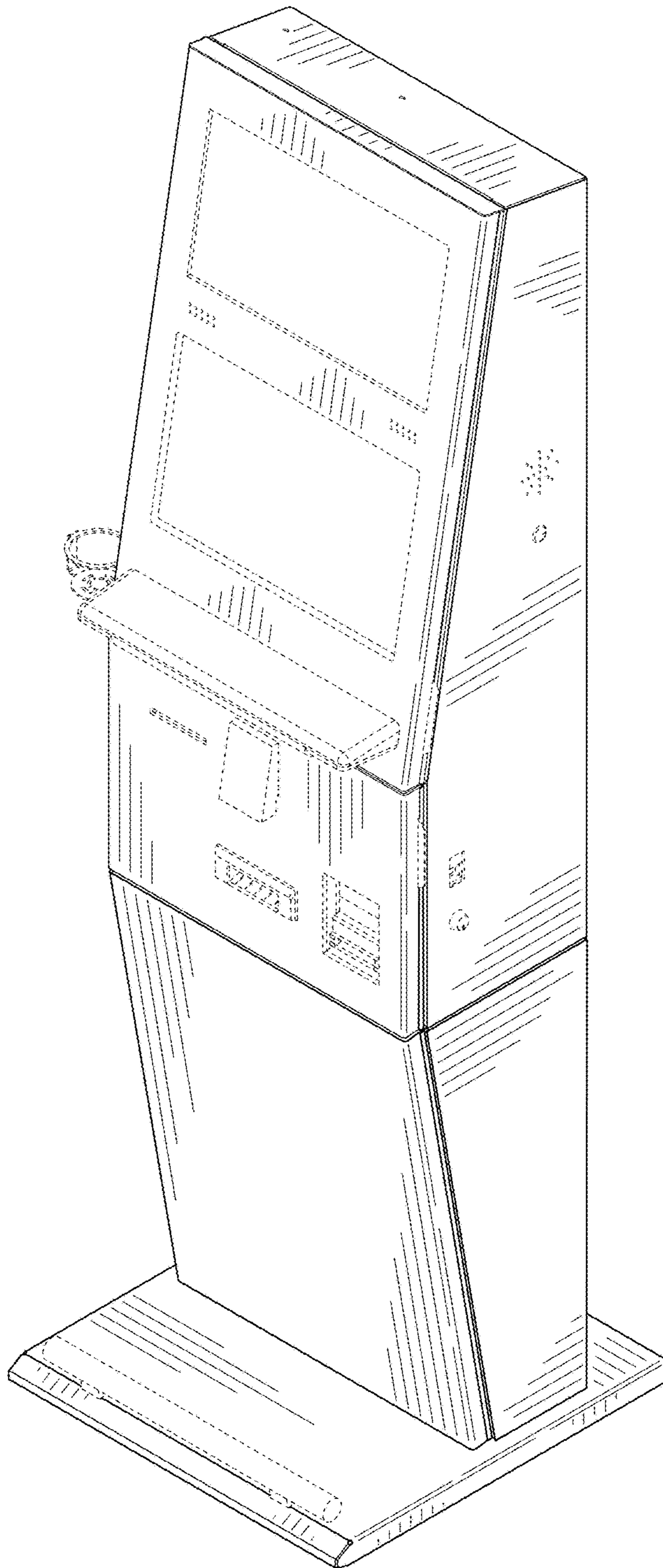


FIG. 1

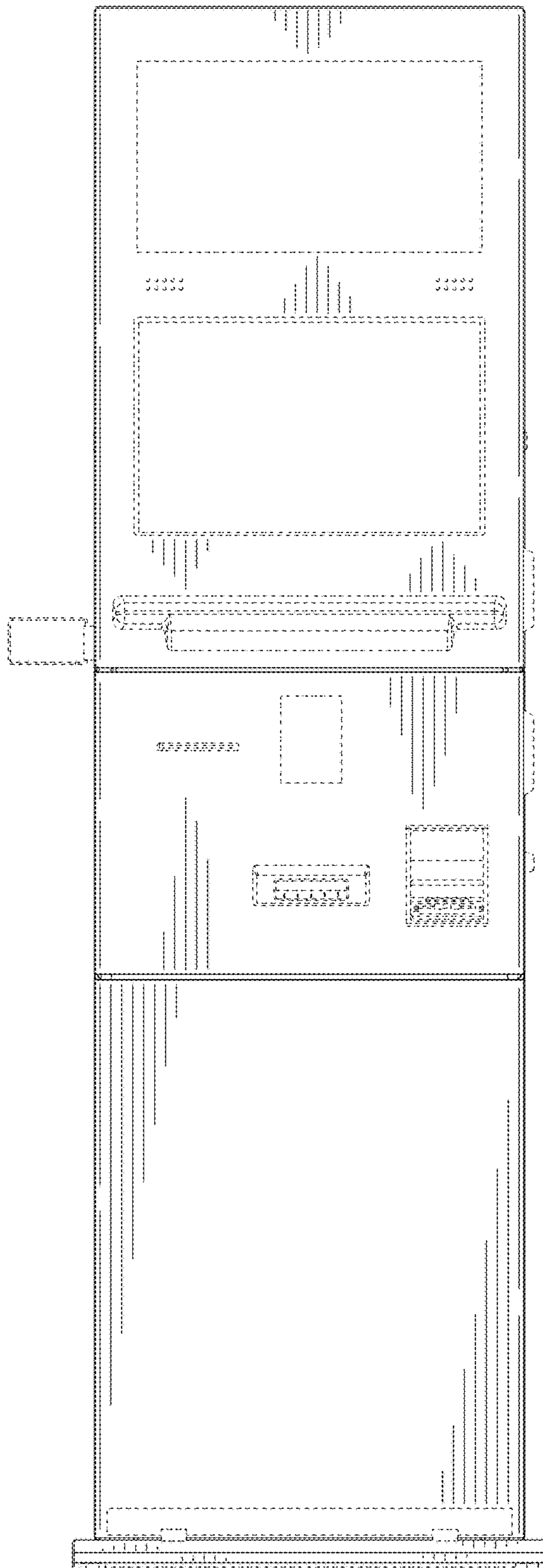


FIG. 2

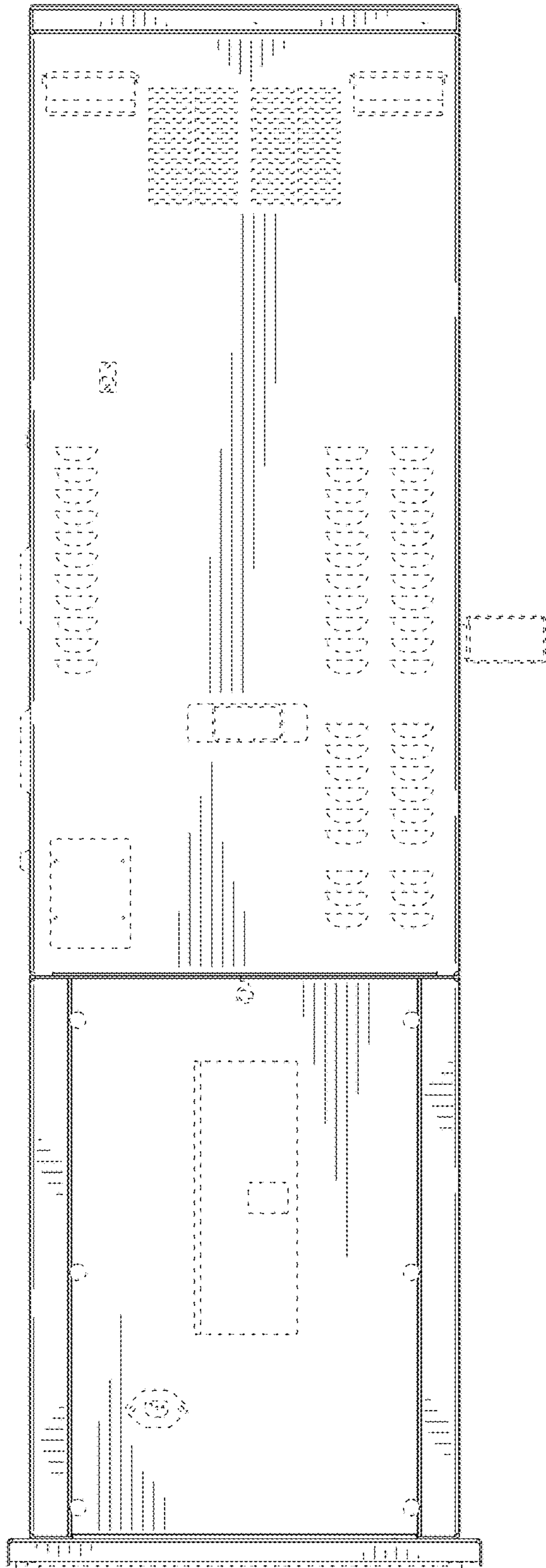


FIG. 3

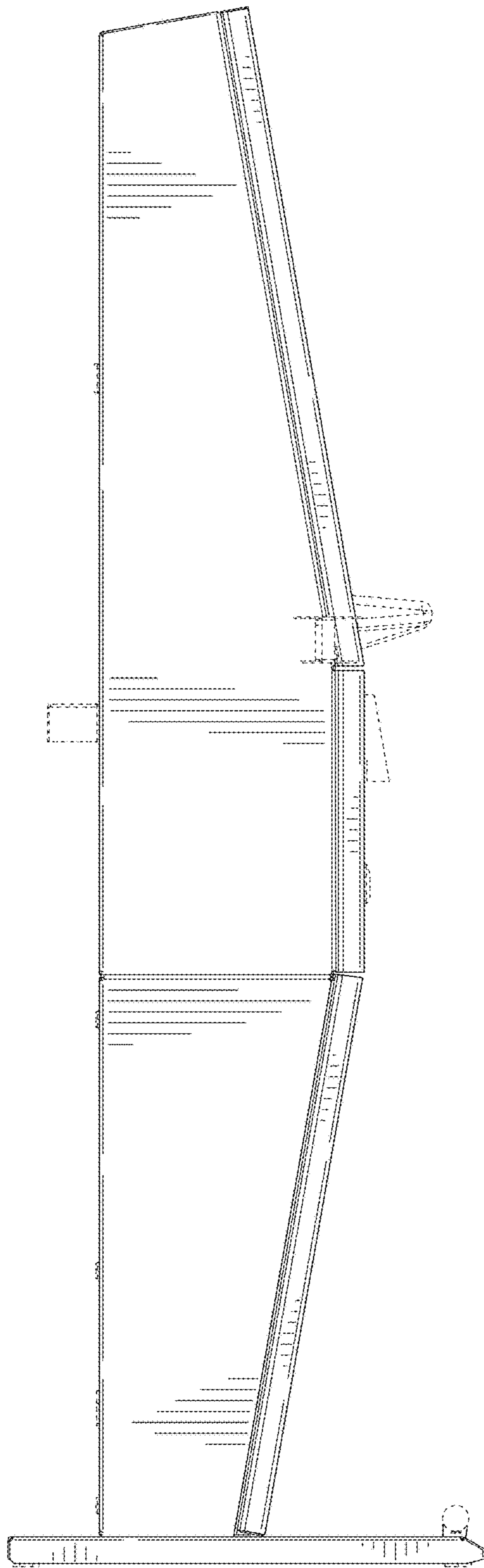


FIG. 4

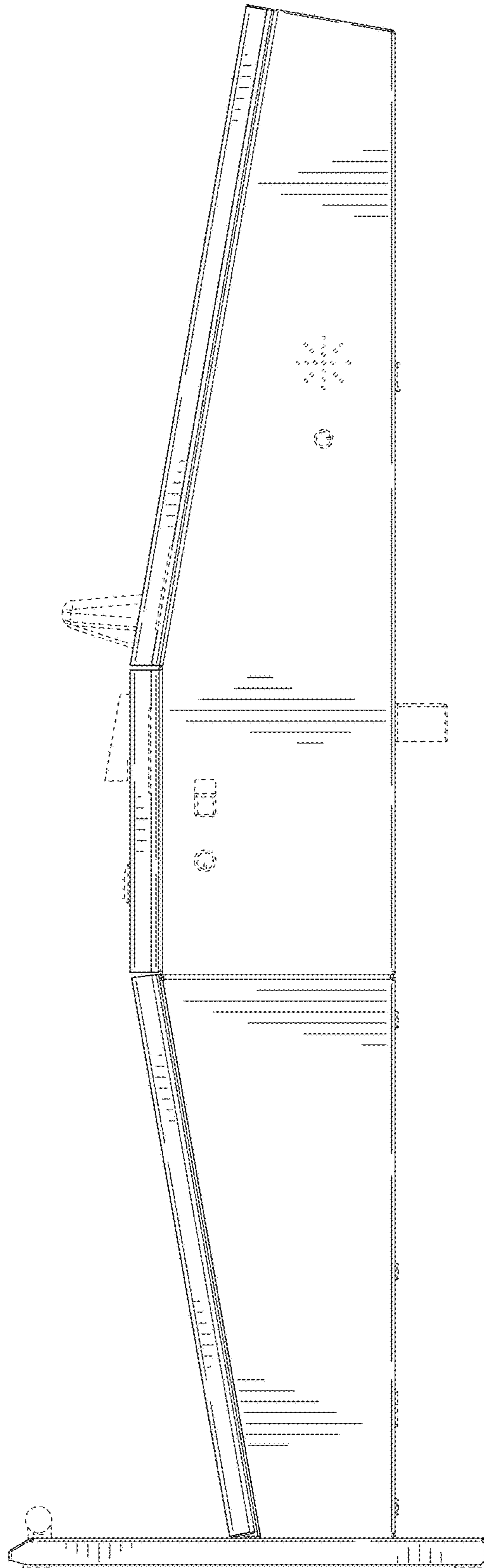


FIG. 5

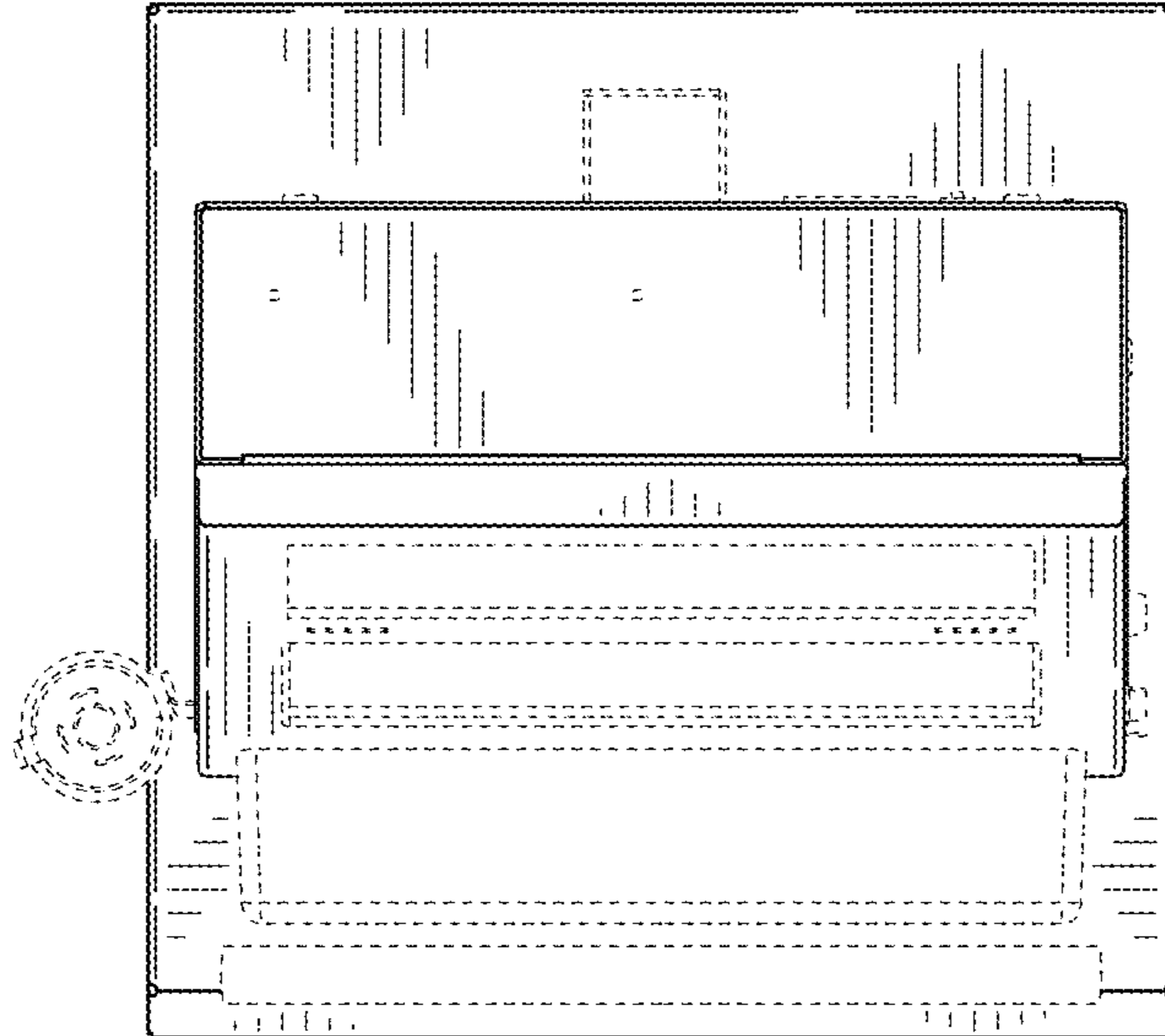


FIG. 6

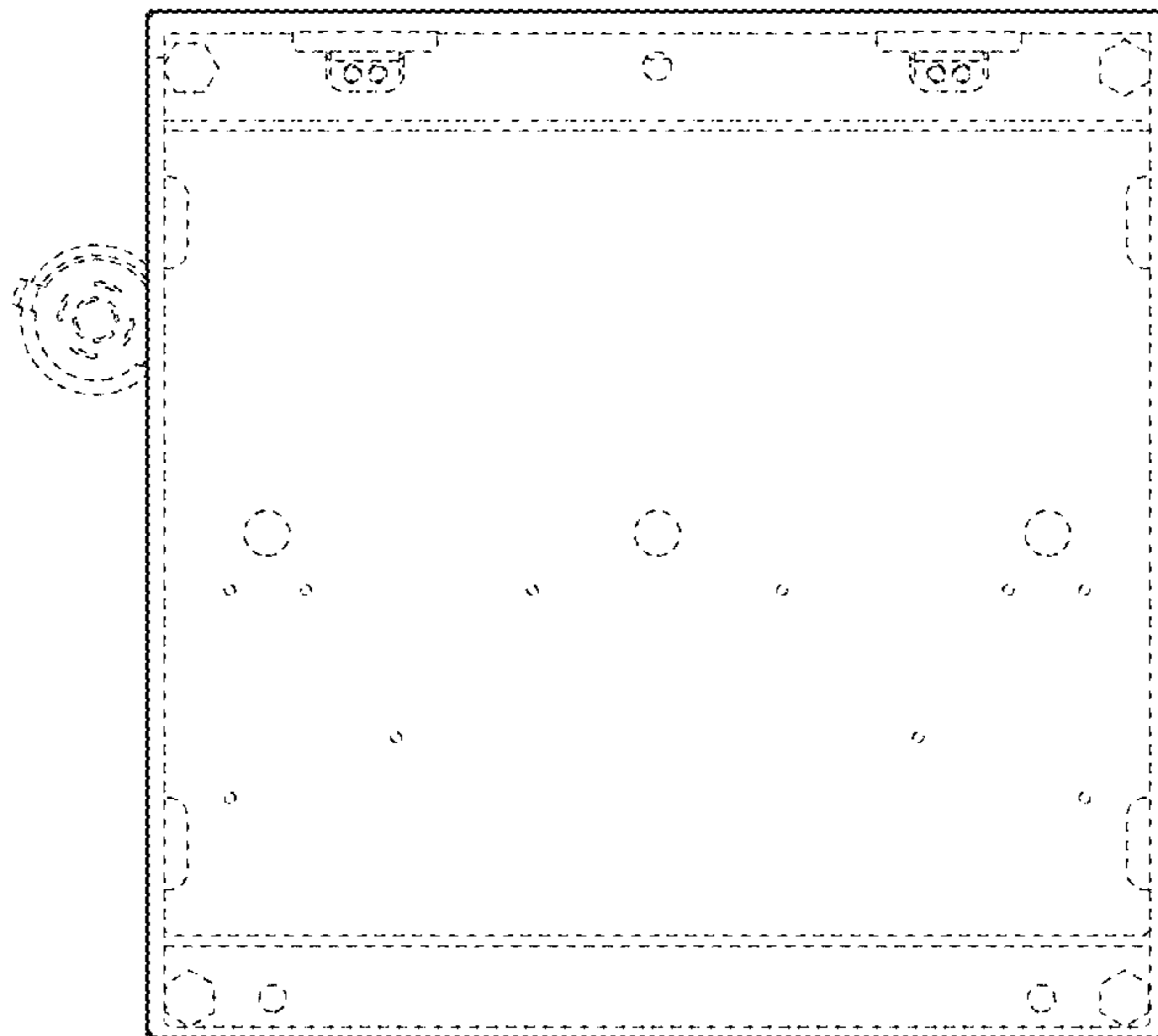


FIG. 7

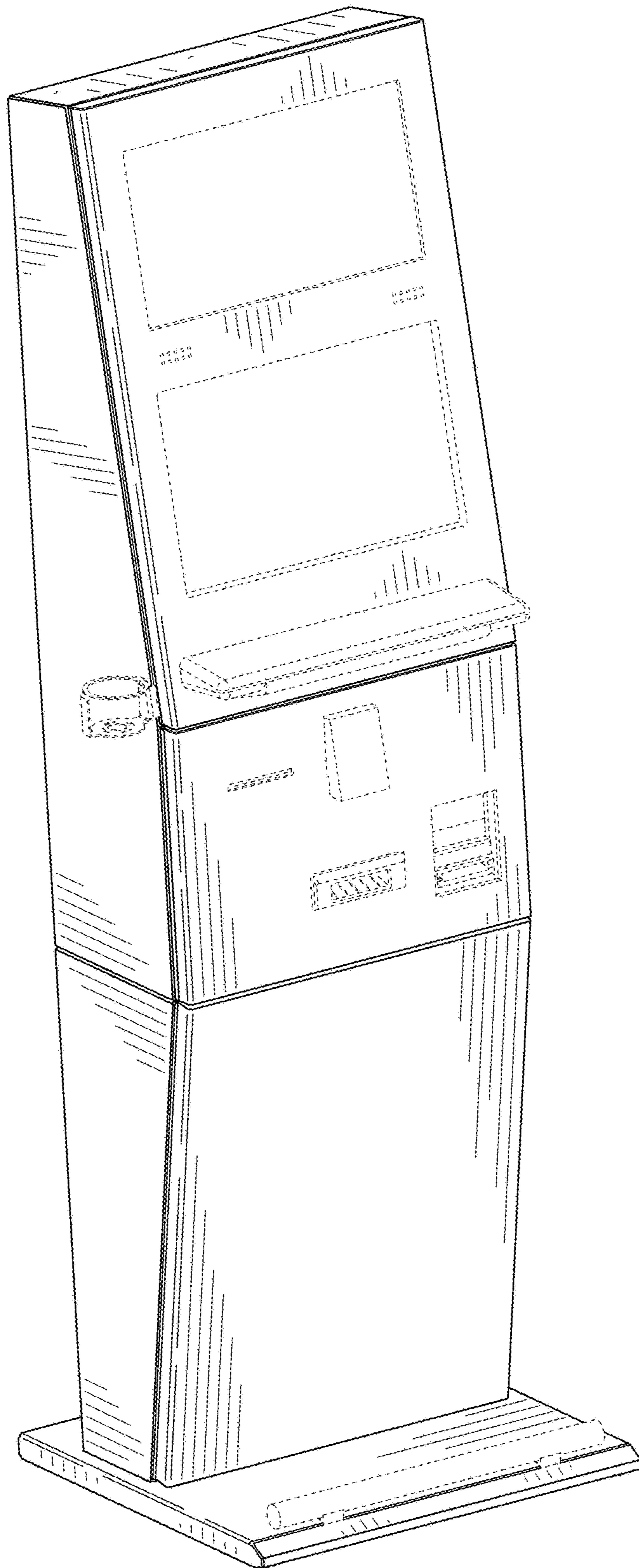


FIG. 8

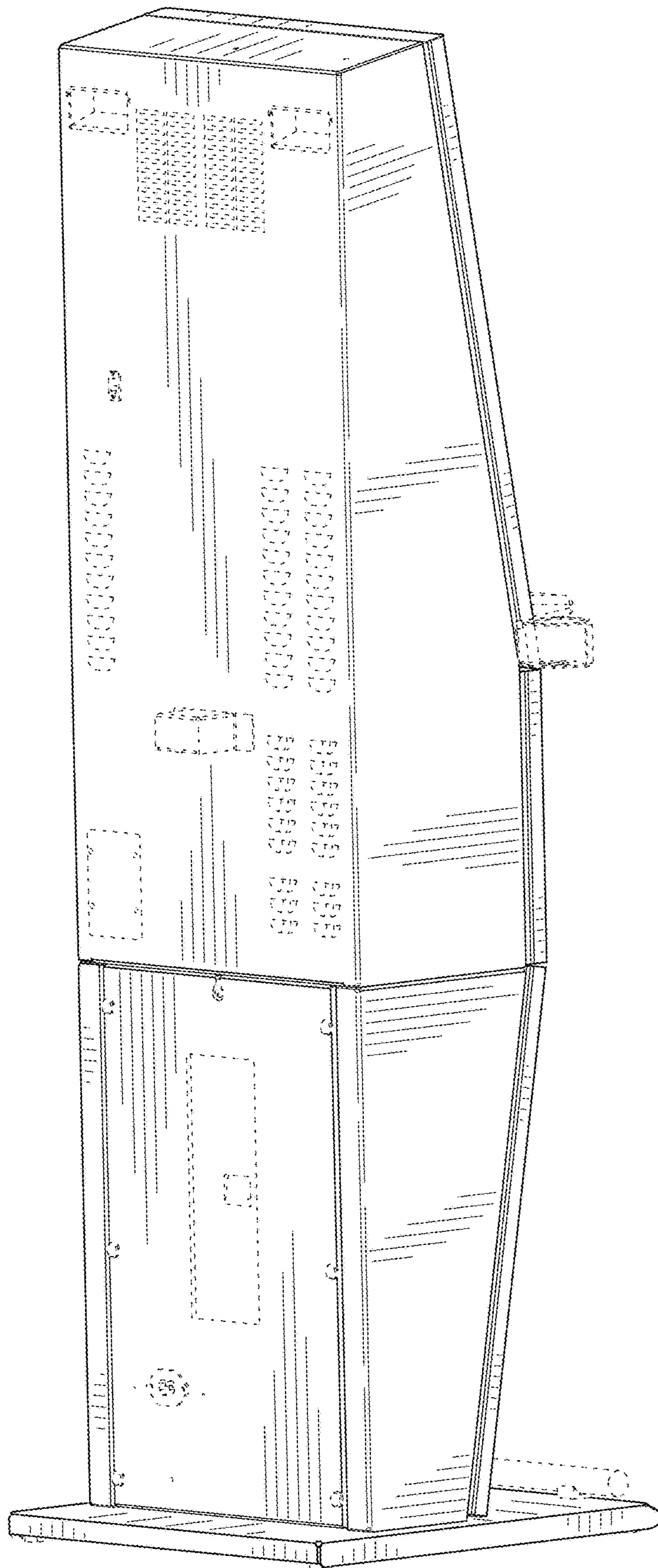


FIG. 9