



US00D832552S

(12) **United States Design Patent** (10) **Patent No.:** **US D832,552 S**
Smekal (45) **Date of Patent:** **** Oct. 30, 2018**

(54) **LIFT ARM FOR LOADER** 4,147,263 A 4/1979 Frederick et al.
4,162,873 A 7/1979 Smith, Jr.
(71) Applicant: **Clark Equipment Company**, West 4,280,783 A 7/1981 Hayward
Fargo, ND (US) 4,306,832 A 12/1981 Schmiesing
(Continued)

(72) Inventor: **Jan Smekal**, Lhota u Dolnich Březan (CZ)

FOREIGN PATENT DOCUMENTS

(73) Assignee: **Clark Equipment Company**, West Fargo, ND (US)

CN 104975624 A 10/2015
DE 1949385 A1 4/1970
(Continued)

(**) Term: **15 Years**

OTHER PUBLICATIONS

(21) Appl. No.: **29/621,936**

Invitation to Pay Additional Fees from the European Patent Office dated Apr. 24, 2018 for International Application No. PCT/US2016/066432 filed Dec. 14, 2017, 14 pages.

(22) Filed: **Oct. 12, 2017**

(51) **LOC (11) Cl.** **12-05**

(Continued)

(52) **U.S. Cl.**

USPC **D34/35; D15/25**

(58) **Field of Classification Search**

USPC **D34/33-37, 28; D15/28, 22-26**

See application file for complete search history.

Primary Examiner — Mark A Goodwin

(74) *Attorney, Agent, or Firm* — John D.

Veldhuis-Kroeze; Westman, Champlin & Koehler, P.A.

(57)

CLAIM

The ornamental design for a lift arm for loader, as shown and described.

(56) **References Cited**

U.S. PATENT DOCUMENTS

2,538,000 A 1/1951 Hoar et al.
2,877,915 A 3/1959 Puim
2,980,271 A 4/1961 Ulinski
3,178,046 A 4/1965 Lull
3,215,292 A 11/1965 Halls
3,411,647 A 11/1968 Zimmerman
3,526,329 A 9/1970 Anderson et al.
3,586,195 A 6/1971 Beltrami
3,651,971 A 3/1972 McGuinness
3,658,202 A 4/1972 Peterson
3,730,362 A 5/1973 Huriburt et al.
3,937,339 A 2/1976 Geis et al.
3,967,744 A 7/1976 Goyarts
3,995,761 A * 12/1976 Hurlburt E02F 3/3405
414/713
4,082,197 A 4/1978 Stedman

DESCRIPTION

FIG. 1 is a front perspective view of the lift arm for loader showing our new design;

FIG. 2 is a front view thereof;

FIG. 3 is a rear view thereof;

FIG. 4 is a left side view thereof;

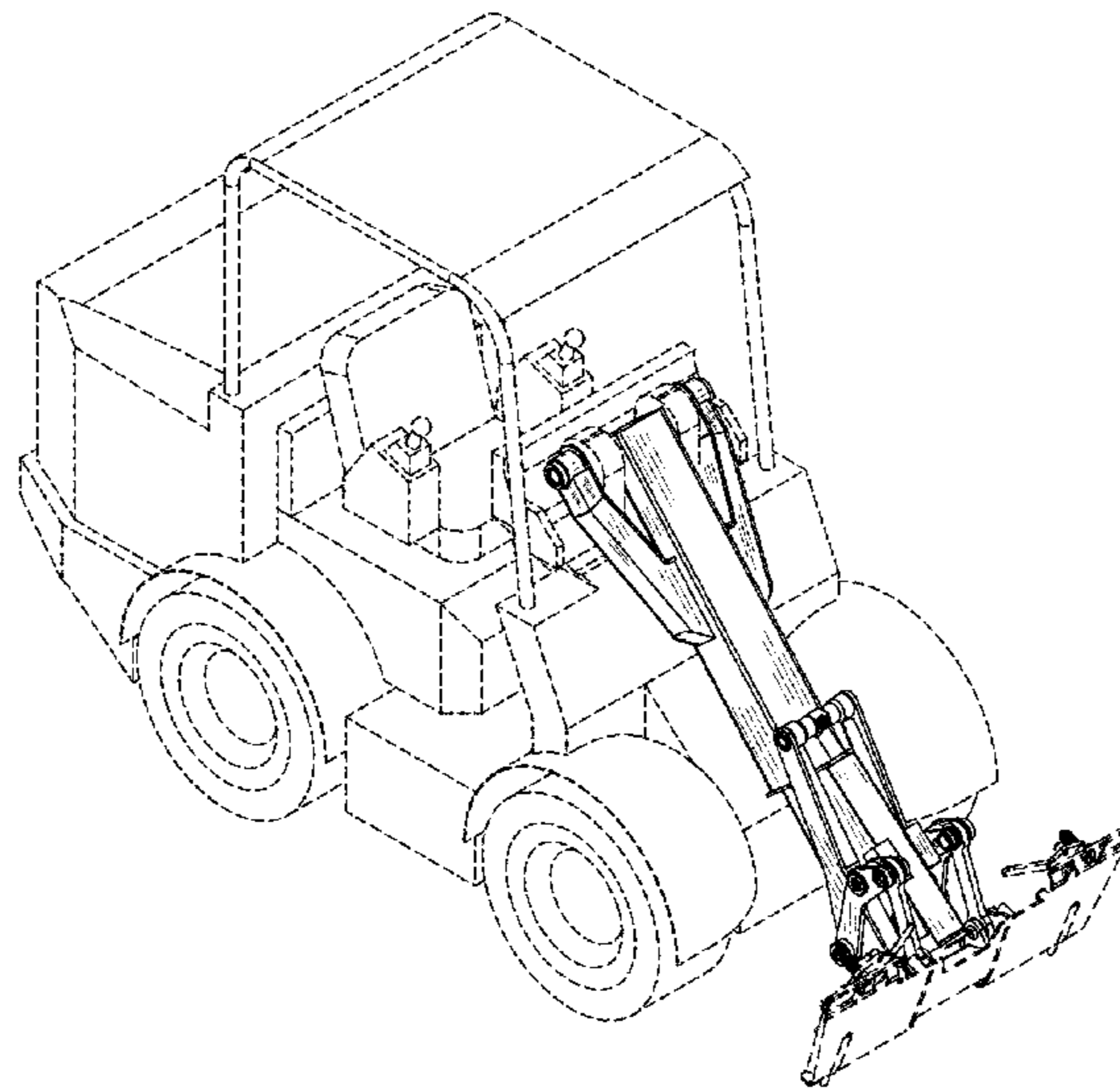
FIG. 5 is a right side view of thereof;

FIG. 6 is a top view thereof; and,

FIG. 7 is a bottom view thereof.

The broken lines shown in the drawings are included for purposes of illustrating portions of the lift arm for loader and form no part of the claimed design.

1 Claim, 3 Drawing Sheets



(56)

References Cited

U.S. PATENT DOCUMENTS

4,355,946 A 10/1982 Wykhuis et al.
 4,388,038 A 6/1983 Freitag
 D276,758 S * 12/1984 Krueck D34/34
 4,699,560 A 10/1987 Ostermeyer et al.
 4,722,044 A 1/1988 Heiser et al.
 4,791,549 A 12/1988 Heiser et al.
 4,910,662 A 3/1990 Heiser et al.
 4,964,778 A 10/1990 Muto et al.
 4,964,780 A 10/1990 Karvonen
 4,986,721 A 1/1991 Lowder et al.
 5,106,257 A 4/1992 Braud et al.
 5,156,520 A 10/1992 Ericson et al.
 D362,329 S * 9/1995 Heiler D34/34
 5,511,932 A 4/1996 Todd et al.
 5,518,358 A 5/1996 Ashcroft et al.
 5,520,500 A 5/1996 McIlwain et al.
 5,542,814 A 8/1996 Ashcroft et al.
 D376,372 S * 12/1996 Little D15/23
 5,609,464 A 3/1997 Moffitt et al.
 D407,415 S * 3/1999 Flatau D15/28
 5,964,567 A 10/1999 Bamford
 6,171,050 B1 * 1/2001 Johnson E02F 3/34
 414/685
 D440,236 S * 4/2001 Kraft D15/28
 D452,598 S * 12/2001 Sato D34/34
 6,325,589 B1 12/2001 Jang et al.
 6,474,933 B1 11/2002 Hoechst et al.
 D469,448 S * 1/2003 Bares D15/32
 6,557,276 B2 5/2003 Contoli et al.
 6,616,398 B2 9/2003 Dershem et al.
 D492,327 S * 6/2004 Albright D15/23
 6,755,604 B1 6/2004 Schaeff
 7,104,181 B2 9/2006 Bitter et al.
 D535,805 S * 1/2007 Stark D21/556
 7,384,233 B2 6/2008 Segerljung
 D572,276 S * 7/2008 Pinther D15/23
 7,507,064 B2 3/2009 Shibuya
 7,516,614 B2 4/2009 Bitter
 D626,972 S * 11/2010 Hoover D15/27
 D646,306 S * 10/2011 Bradley D15/28
 8,070,413 B2 12/2011 Brooks et al.
 8,152,433 B2 4/2012 Yamada et al.
 D692,031 S * 10/2013 Martin D15/33
 D702,263 S * 4/2014 Jacobsthal D15/27
 D708,233 S * 7/2014 Furuki D15/28
 8,965,637 B2 2/2015 Brooks et al.
 9,045,320 B2 6/2015 Turrini
 9,045,882 B2 * 6/2015 Major A01G 23/006
 9,073,739 B2 7/2015 Woods et al.
 D758,039 S * 5/2016 Nessler D15/23
 D762,740 S * 8/2016 Okuyama D15/28
 D765,738 S * 9/2016 Treinen D15/28
 D771,345 S * 11/2016 Wen D34/34

D772,307 S * 11/2016 Gross D15/28
 D773,146 S * 11/2016 Sauvaget D34/34
 D773,536 S * 12/2016 Fiser D15/28
 D774,105 S * 12/2016 Jilbert D15/28
 D774,107 S * 12/2016 Fiser D15/28
 D778,522 S * 2/2017 Stark D34/34
 D789,427 S * 6/2017 Jackson D15/28
 D790,598 S * 6/2017 Furuki D15/25
 D791,843 S * 7/2017 Hashimoto D15/28
 D797,159 S * 9/2017 Yeu D15/28
 D799,561 S * 10/2017 Kumbhar D15/28
 D802,871 S * 11/2017 Knie D34/35
 D811,449 S * 2/2018 Pfaff D15/28
 D814,531 S * 4/2018 Jacobsthal D15/31
 9,988,786 B2 * 6/2018 Martin E02F 3/3405
 2006/0243234 A1 * 11/2006 Shibuya E02F 3/3405
 123/90.16
 2007/0003395 A1 1/2007 Segerljung
 2007/0104566 A1 * 5/2007 Layko E02F 3/342
 414/815
 2007/0128012 A1 6/2007 Yamada et al.
 2011/0217151 A1 * 9/2011 Major A01G 23/006
 414/680
 2015/0081178 A1 3/2015 Billaud et al.

FOREIGN PATENT DOCUMENTS

DE 1781300 A1 12/1970
 DE 1759849 A1 7/1971
 DE 1784705 A1 1/1972
 DE 2759058 C2 11/1983
 DE 3423579 U1 11/1985
 DE 3540798 A1 6/1986
 DE 3429214 C2 6/1987
 DE 10119767 A1 2/2002
 DE 102006014876 A1 11/2006
 EP 0443828 A1 8/1991
 EP 0445933 A1 9/1991
 EP 0474210 B1 10/1996
 EP 1081292 A1 3/2001
 EP 1131499 B1 5/2003
 EP 0909854 B1 8/2006
 EP 1325986 B1 11/2010
 EP 1897847 B1 6/2012
 JP 2009148167 A 7/2009
 WO 2004104304 A2 12/2004
 WO 2012122581 A1 9/2012

OTHER PUBLICATIONS

International Search Report and Written Opinion dated Jul. 25, 2018 from the European Patent Office for International Application No. PCT/US2017/066432 filed Dec. 14, 2017, 23 pages.

* cited by examiner

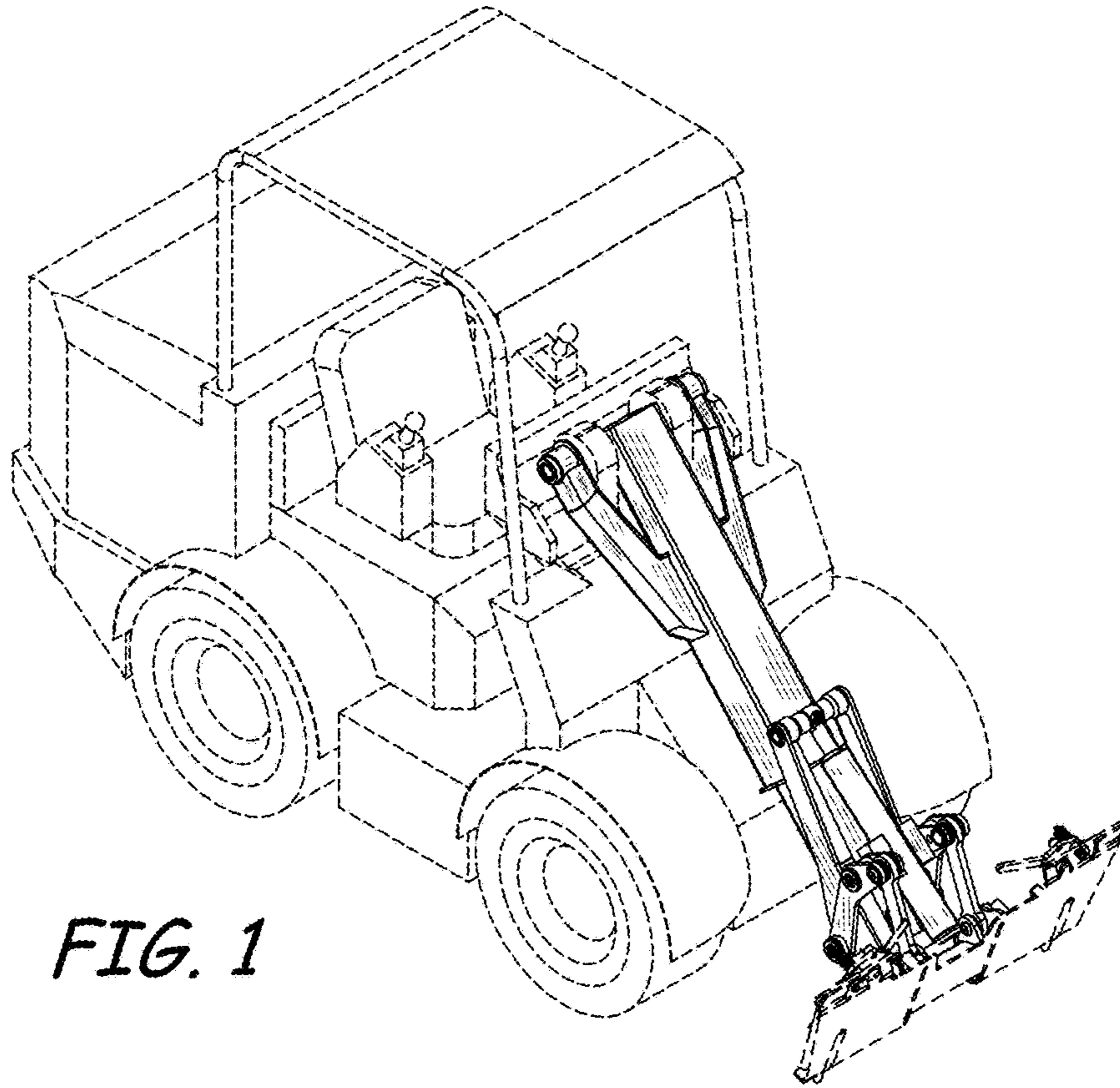


FIG. 1

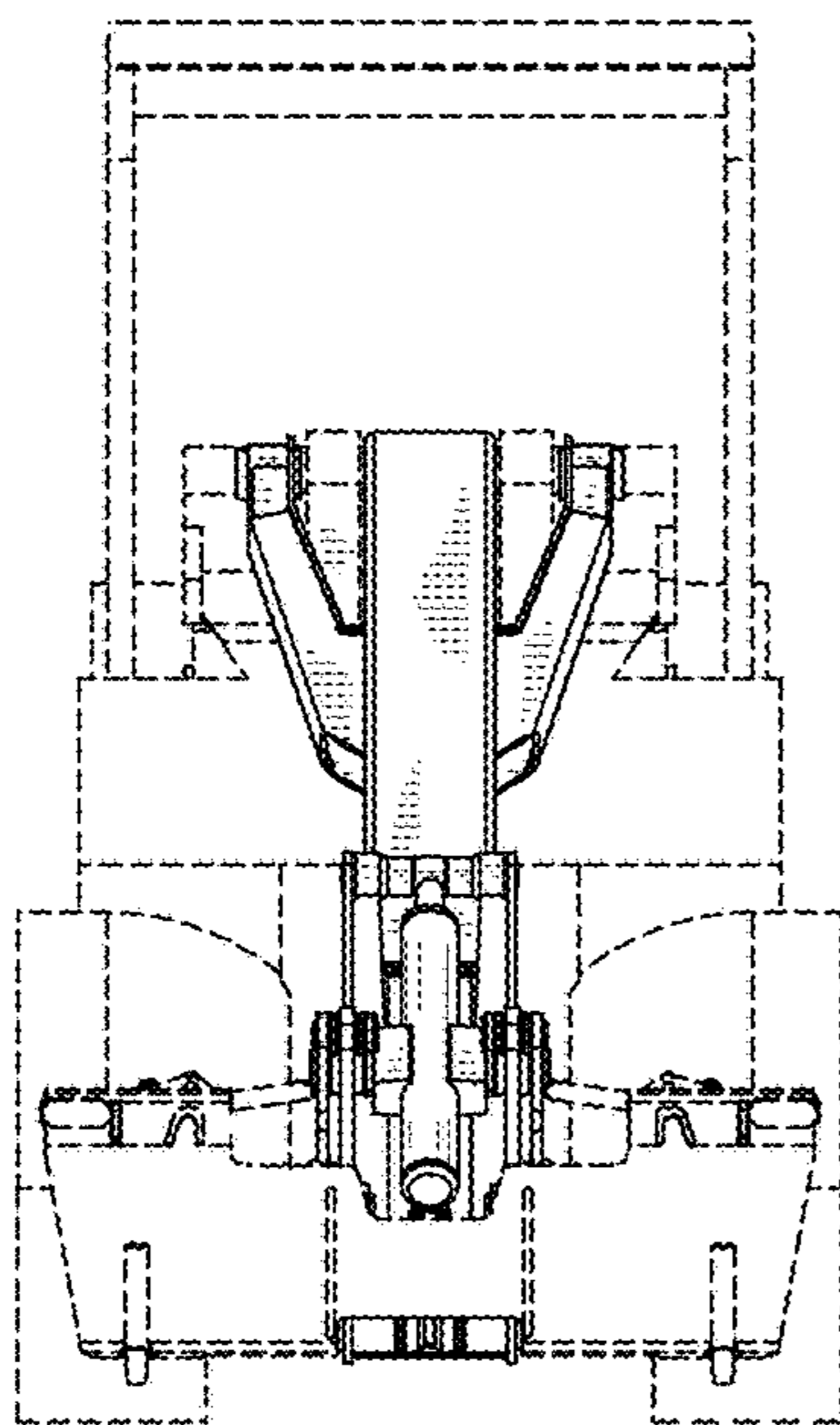


FIG. 2

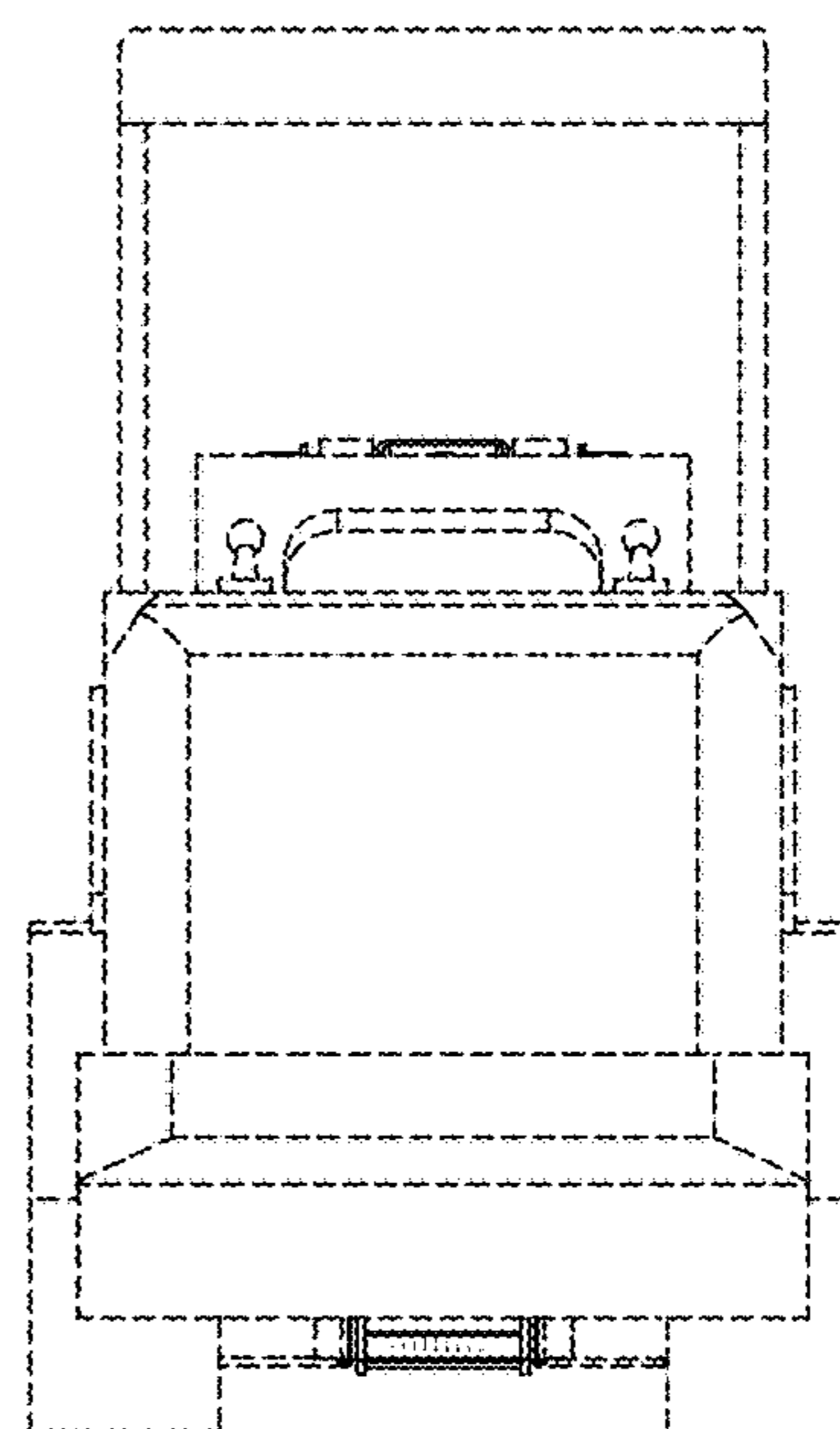


FIG. 3

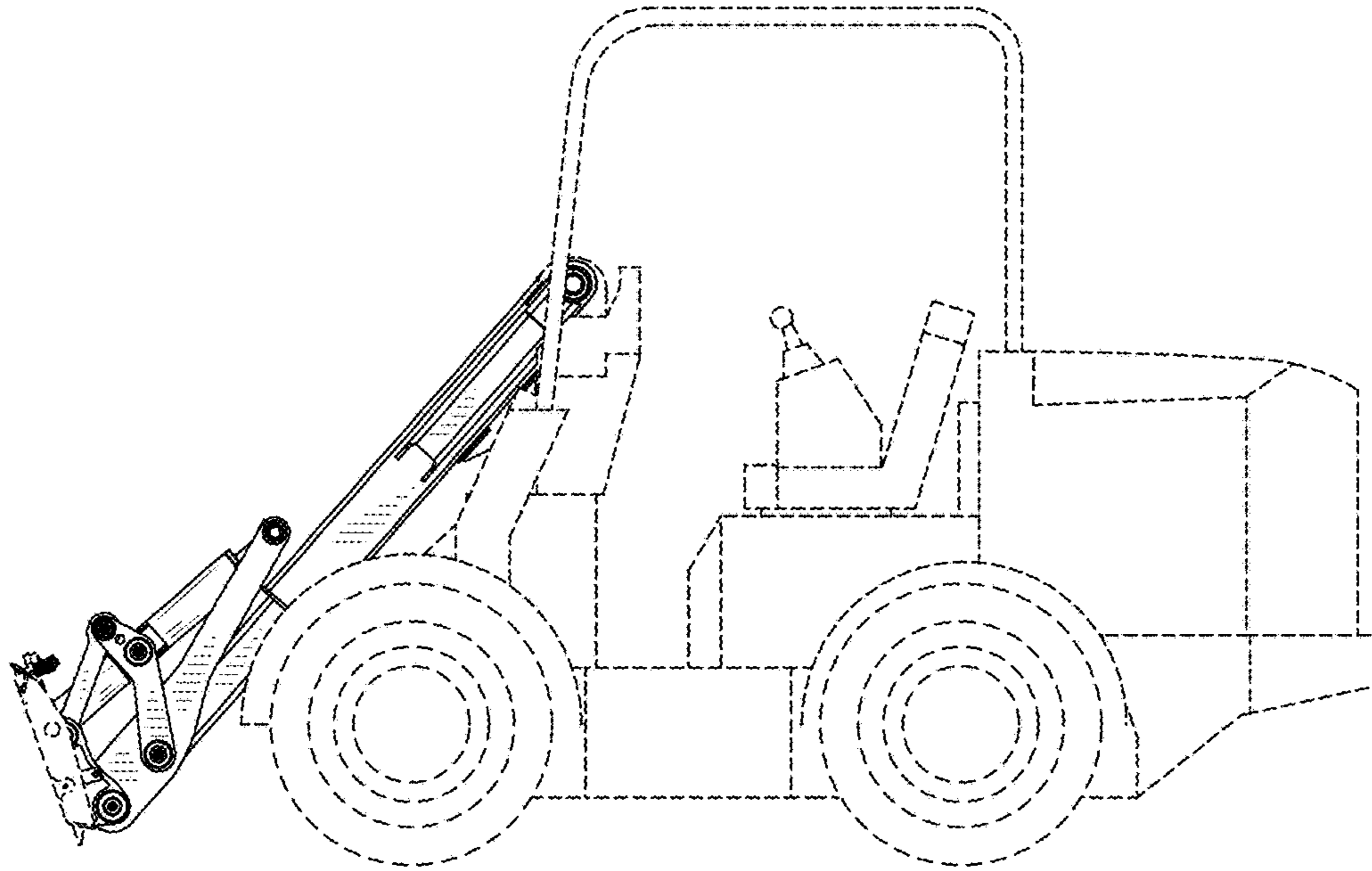


FIG. 4

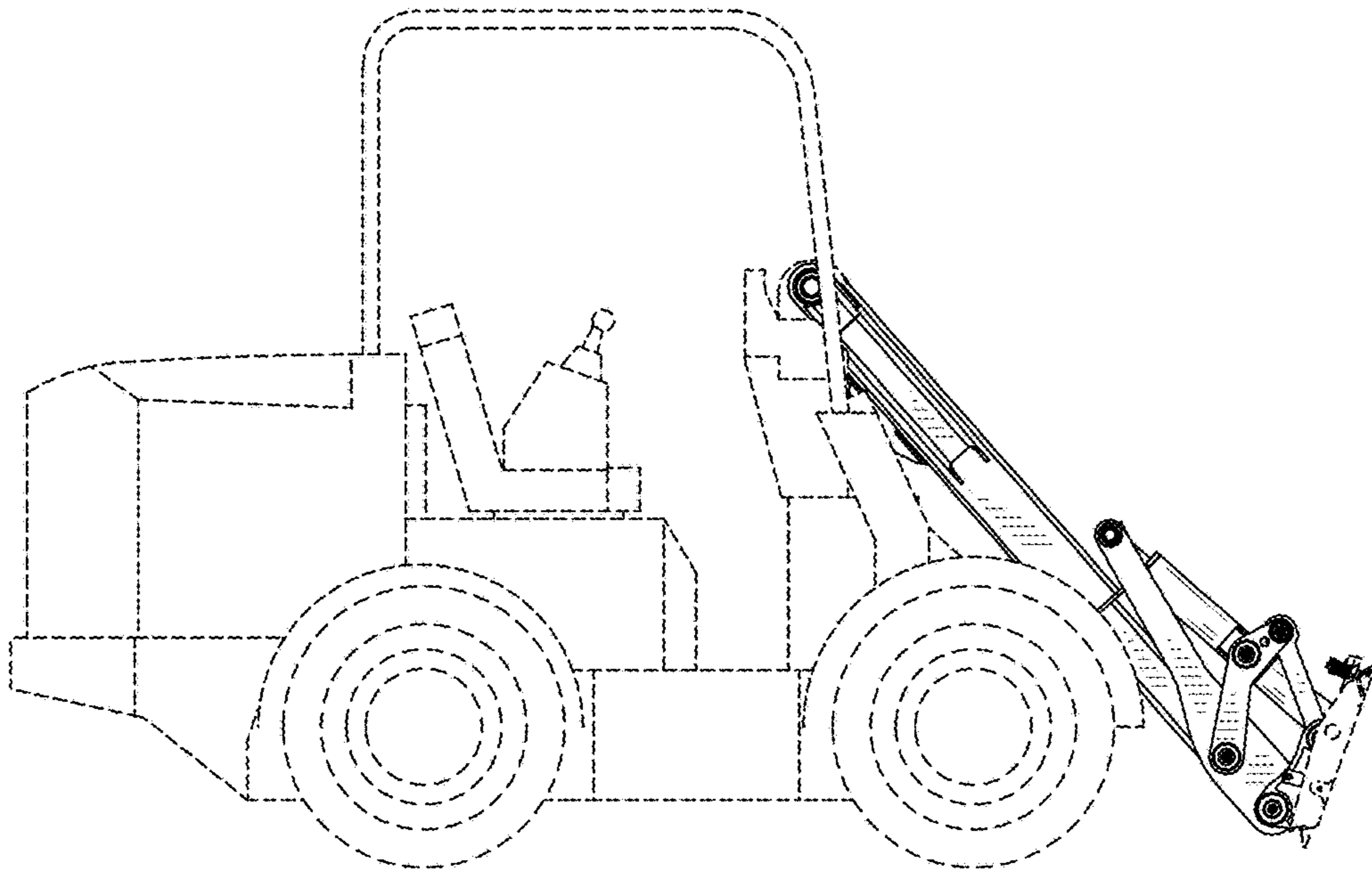


FIG. 5

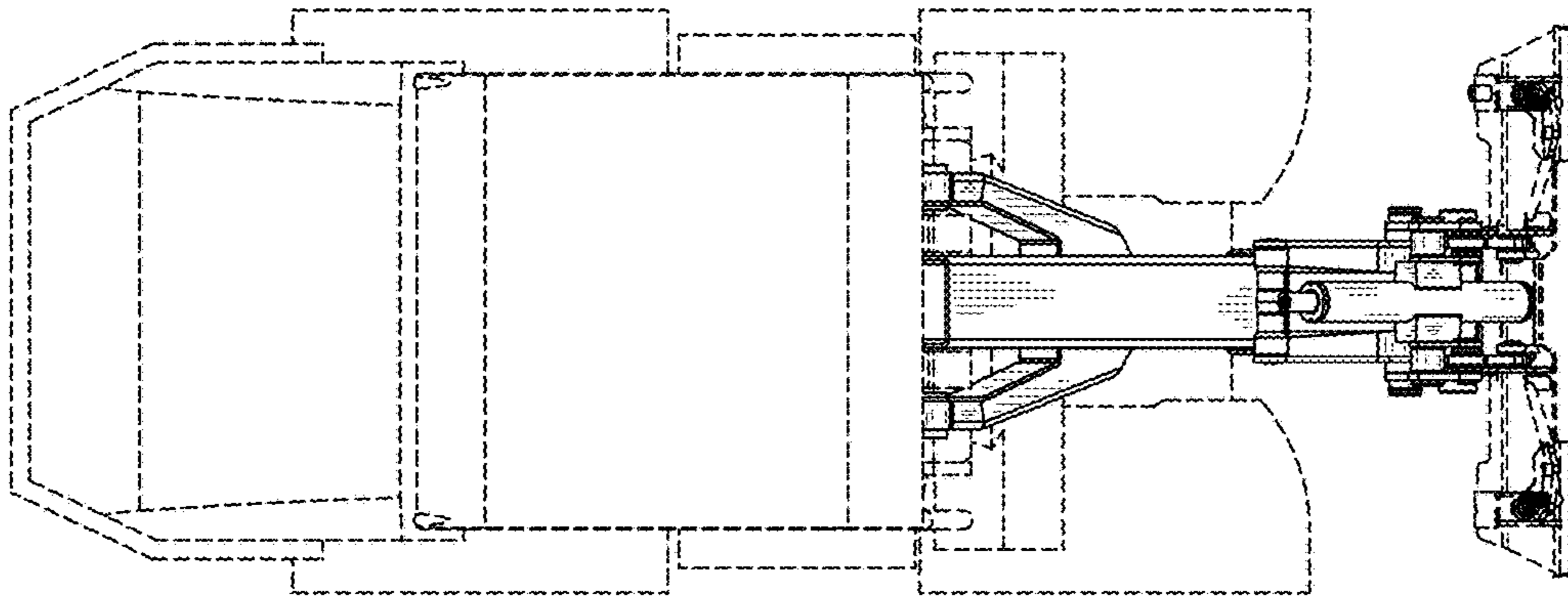


FIG. 6

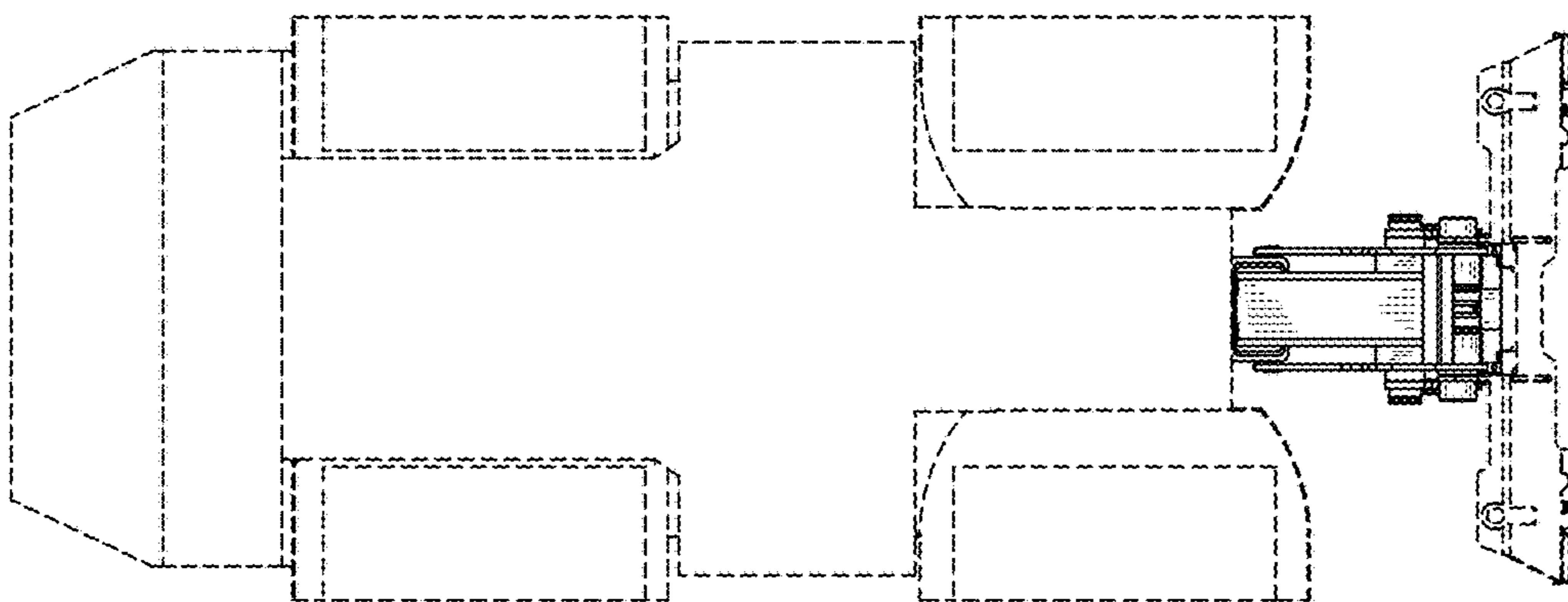


FIG. 7