



US00D832551S

(12) **United States Design Patent** (10) **Patent No.:** **US D832,551 S**
Smekal (45) **Date of Patent:** **** Oct. 30, 2018**

(54) **LOADER**

4,162,873 A 7/1979 Smith, Jr.
4,280,783 A 7/1981 Hayward
4,306,832 A 12/1981 Schmiesing
(Continued)

(71) Applicant: **Clark Equipment Company**, West Fargo, ND (US)

(72) Inventor: **Jan Smekal**, Lhota u Dolnich Brežan (CZ)

FOREIGN PATENT DOCUMENTS

CN 104975624 A 10/2015
DE 1949385 A1 4/1970
(Continued)

(73) Assignee: **Clark Equipment Company**, West Fargo, ND (US)

(**) Term: **15 Years**

OTHER PUBLICATIONS

(21) Appl. No.: **29/621,935**

Invitation to Pay Additional Fees from the European Patent Office dated Apr. 24, 2018 for International Application No. PCT/US2016/066432 filed Dec. 14, 2017, 14 pages.

(22) Filed: **Oct. 12, 2017**

(Continued)

(51) **LOC (11) Cl.** **12-05**

(52) **U.S. Cl.**
USPC **D34/34; D15/25**

(58) **Field of Classification Search**
USPC D34/33-37, 28; D15/28, 22-26
See application file for complete search history.

Primary Examiner — Mark A Goodwin
(74) *Attorney, Agent, or Firm* — John D. Veldhuis-Kroeze; Westman, Champlin & Koehler, P.A.

(56) **References Cited**

(57) **CLAIM**

The ornamental design for a loader, as shown and described.

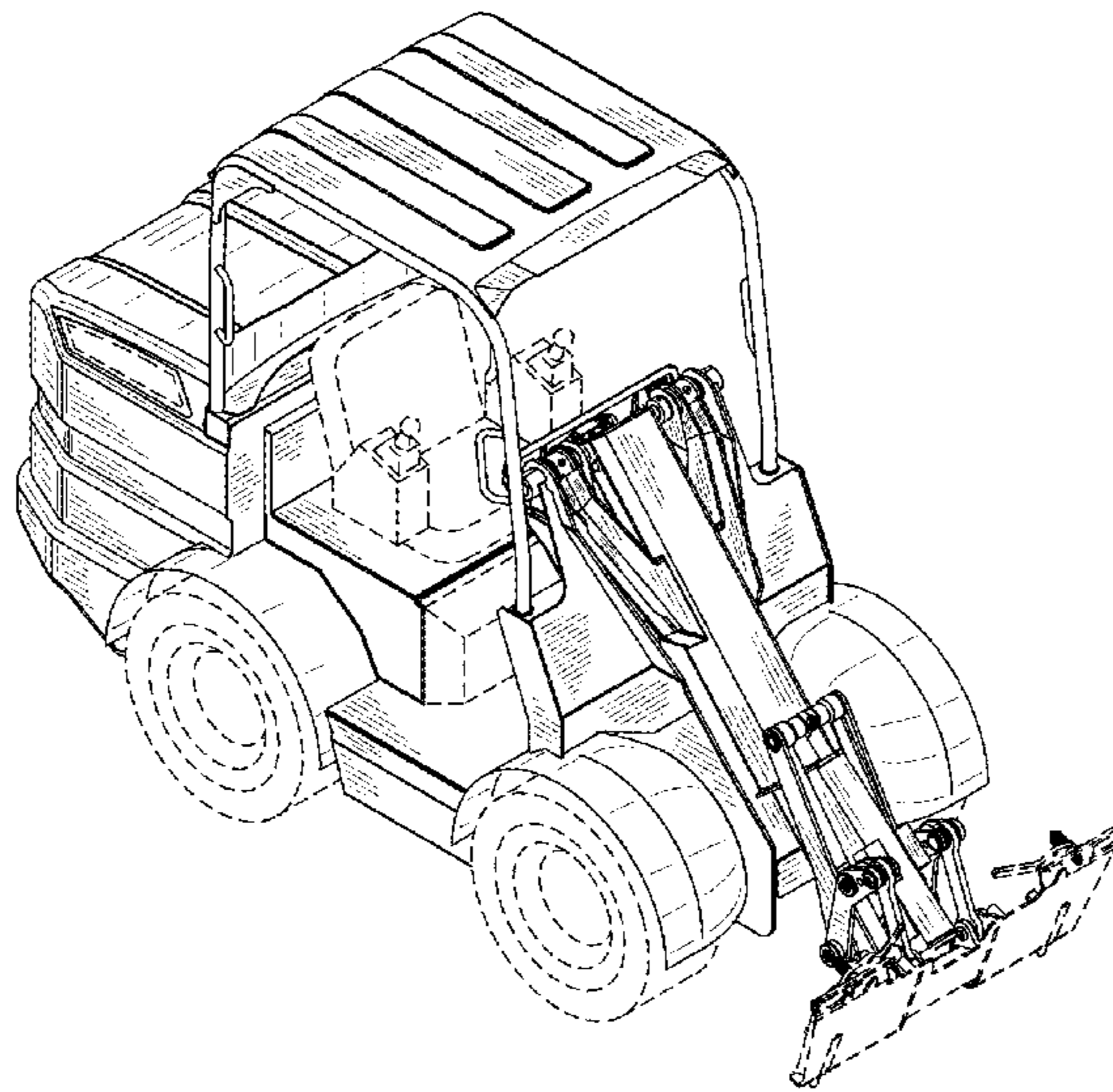
U.S. PATENT DOCUMENTS

DESCRIPTION

2,538,000 A	1/1951	Hoar et al.	
2,877,915 A	3/1959	Puim	
2,980,271 A	4/1961	Ulinski	
3,178,046 A	4/1965	Lull	
3,215,292 A	11/1965	Halls	
3,411,647 A	11/1968	Zimmerman	
3,526,329 A	9/1970	Anderson et al.	
3,586,195 A	6/1971	Beltrami	
3,651,971 A	3/1972	McGuinness	
3,658,202 A	4/1972	Peterson	
3,730,362 A	5/1973	Hurlburt et al.	
3,937,339 A	2/1976	Geis et al.	
3,967,744 A	7/1976	Goyarts	
3,995,761 A *	12/1976	Hurlburt E02F 3/3405 414/713
4,082,197 A	4/1978	Stedman	
4,147,263 A	4/1979	Frederick et al.	

FIG. 1 is a front perspective view of the loader showing our new design;
FIG. 2 is a front view thereof;
FIG. 3 is a rear view thereof;
FIG. 4 is a left side view thereof;
FIG. 5 is a right side view of thereof;
FIG. 6 is a top view thereof; and,
FIG. 7 is a bottom view thereof.
The broken lines shown in the drawings are included for purposes of illustrating portions of the loader and form no part of the claimed design.

1 Claim, 3 Drawing Sheets



(56)

References Cited

U.S. PATENT DOCUMENTS

4,355,946 A 10/1982 Wykhuis et al.
 4,388,038 A 6/1983 Freitag
 D276,758 S * 12/1984 Krueck D34/34
 4,699,560 A 10/1987 Ostermeyer et al.
 4,722,044 A 1/1988 Heiser et al.
 4,791,549 A 12/1988 Heiser et al.
 4,910,662 A 3/1990 Heiser et al.
 4,964,778 A 10/1990 Muto et al.
 4,964,780 A 10/1990 Karvonen
 4,986,721 A 1/1991 Lowder et al.
 5,106,257 A 4/1992 Braud et al.
 5,156,520 A 10/1992 Ericson et al.
 D362,329 S * 9/1995 Heiler D34/34
 5,511,932 A 4/1996 Todd et al.
 5,518,358 A 5/1996 Ashcroft et al.
 5,520,500 A 5/1996 McIlwain et al.
 5,542,814 A 8/1996 Ashcroft et al.
 D376,372 S * 12/1996 Little D15/23
 5,609,464 A 3/1997 Moffitt et al.
 D407,415 S * 3/1999 Flatau D15/28
 5,964,567 A 10/1999 Bamford
 6,171,050 B1 * 1/2001 Johnson E02F 3/34
 414/685
 D440,236 S * 4/2001 Kraft D15/28
 D452,598 S * 12/2001 Sato D34/34
 6,325,589 B1 12/2001 Jang et al.
 6,474,933 B1 11/2002 Hoechst et al.
 D469,448 S * 1/2003 Bares D15/32
 6,557,276 B2 5/2003 Contoli et al.
 6,616,398 B2 9/2003 Dershem et al.
 D492,327 S * 6/2004 Albright D15/23
 6,755,604 B1 6/2004 Schaeff
 7,104,181 B2 9/2006 Bitter et al.
 D535,805 S * 1/2007 Stark D21/556
 7,384,233 B2 6/2008 Segerljung
 D572,276 S * 7/2008 Pinther D15/23
 7,507,064 B2 3/2009 Shibuya
 7,516,614 B2 4/2009 Bitter
 D626,972 S * 11/2010 Hoover D15/27
 D646,306 S * 10/2011 Bradley D15/28
 8,070,413 B2 12/2011 Brooks et al.
 8,152,433 B2 4/2012 Yamada et al.
 D692,031 S * 10/2013 Martin D15/33
 D702,263 S * 4/2014 Jacobsthal D15/27
 D708,233 S * 7/2014 Furuki D15/28
 8,965,637 B2 2/2015 Brooks et al.
 9,045,320 B2 6/2015 Turrini
 9,045,882 B2 * 6/2015 Major A01G 23/006
 9,073,739 B2 7/2015 Woods et al.
 D758,039 S * 5/2016 Nessler D15/23
 D762,740 S * 8/2016 Okuyama D15/28
 D765,738 S * 9/2016 Treinen D15/28
 D771,345 S * 11/2016 Wen D34/34

D772,307 S * 11/2016 Gross D15/28
 D773,146 S * 11/2016 Sauvaget D34/34
 D773,536 S * 12/2016 Fiser D15/28
 D774,105 S * 12/2016 Jilbert D15/28
 D774,107 S * 12/2016 Fiser D15/28
 D778,522 S * 2/2017 Stark D34/34
 D789,427 S * 6/2017 Jackson D15/28
 D790,598 S * 6/2017 Furuki D15/25
 D791,843 S * 7/2017 Hashimoto D15/28
 D797,159 S * 9/2017 Yeu D15/28
 D799,561 S * 10/2017 Kumbhar D15/28
 D802,871 S * 11/2017 Knie D34/35
 D811,449 S * 2/2018 Pfaff D15/28
 D814,531 S * 4/2018 Jacobsthal D15/31
 9,988,786 B2 * 6/2018 Martin E02F 3/3405
 2006/0243234 A1 * 11/2006 Shibuya E02F 3/3405
 123/90.16
 2007/0003395 A1 1/2007 Segerljung
 2007/0104566 A1 * 5/2007 Layko E02F 3/342
 414/815
 2007/0128012 A1 6/2007 Yamada et al.
 2011/0217151 A1 * 9/2011 Major A01G 23/006
 414/680
 2015/0081178 A1 3/2015 Billaud et al.

FOREIGN PATENT DOCUMENTS

DE 1781300 A1 12/1970
 DE 1759849 A1 7/1971
 DE 1784705 A1 1/1972
 DE 2759058 C2 11/1983
 DE 8423579 U1 11/1985
 DE 3540798 A1 6/1986
 DE 3429214 C2 6/1987
 DE 10119767 A1 2/2002
 DE 102006014876 A1 11/2006
 EP 0443828 A1 8/1991
 EP 0445933 A1 9/1991
 EP 0474210 B1 10/1996
 EP 1081292 A1 3/2001
 EP 1131499 B1 5/2003
 EP 0909854 B1 8/2006
 EP 1325986 B1 11/2010
 EP 1897847 B1 6/2012
 JP 2009148167 A 7/2009
 WO 2004104304 A2 12/2004
 WO 2012122581 A1 9/2012

OTHER PUBLICATIONS

International Search Report and Written Opinion dated Jul. 25, 2018 from the European Patent Office for International Application No. PCT/US2017/066432 filed Dec. 14, 2017, 23 pages.

* cited by examiner

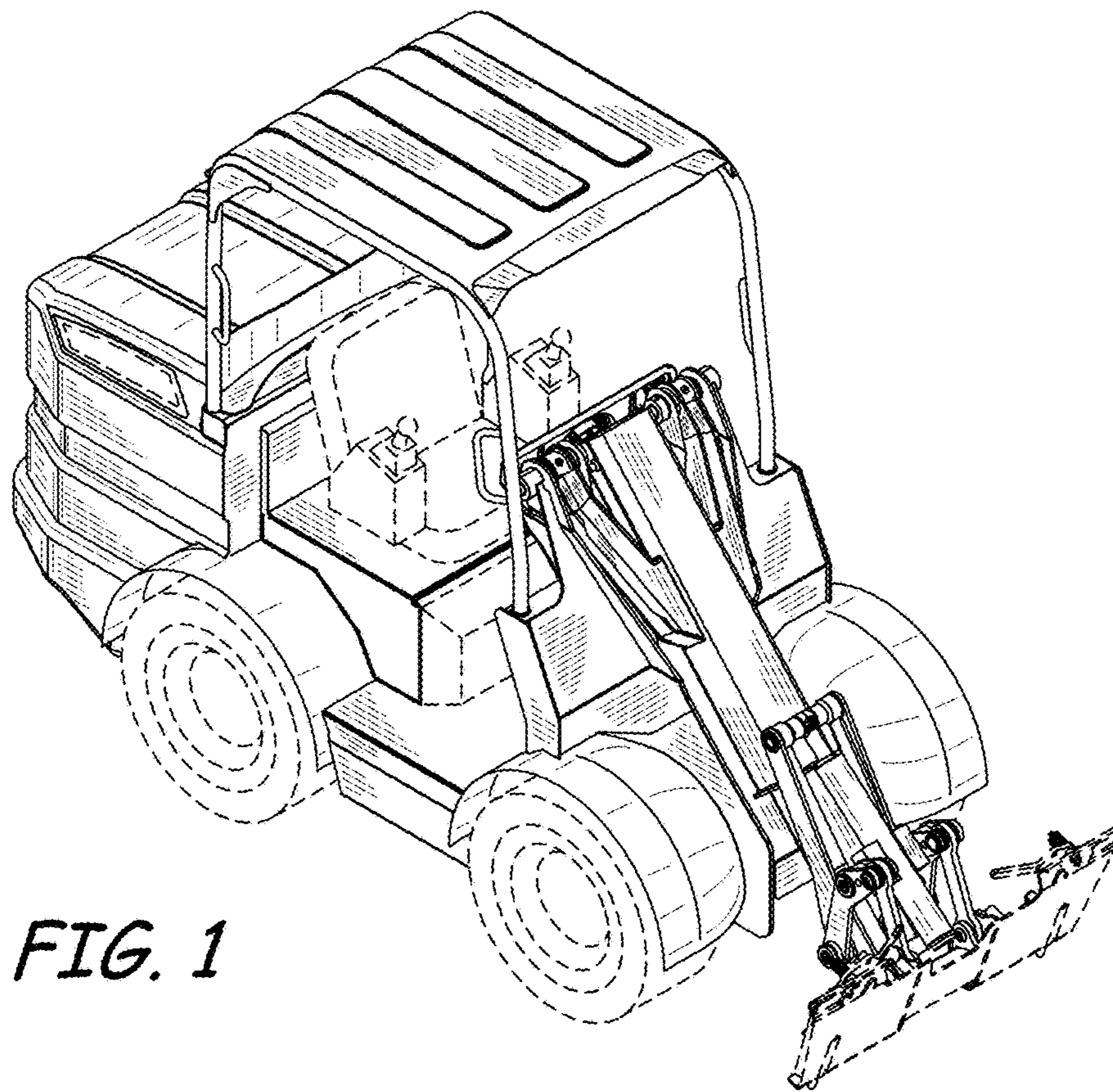


FIG. 1

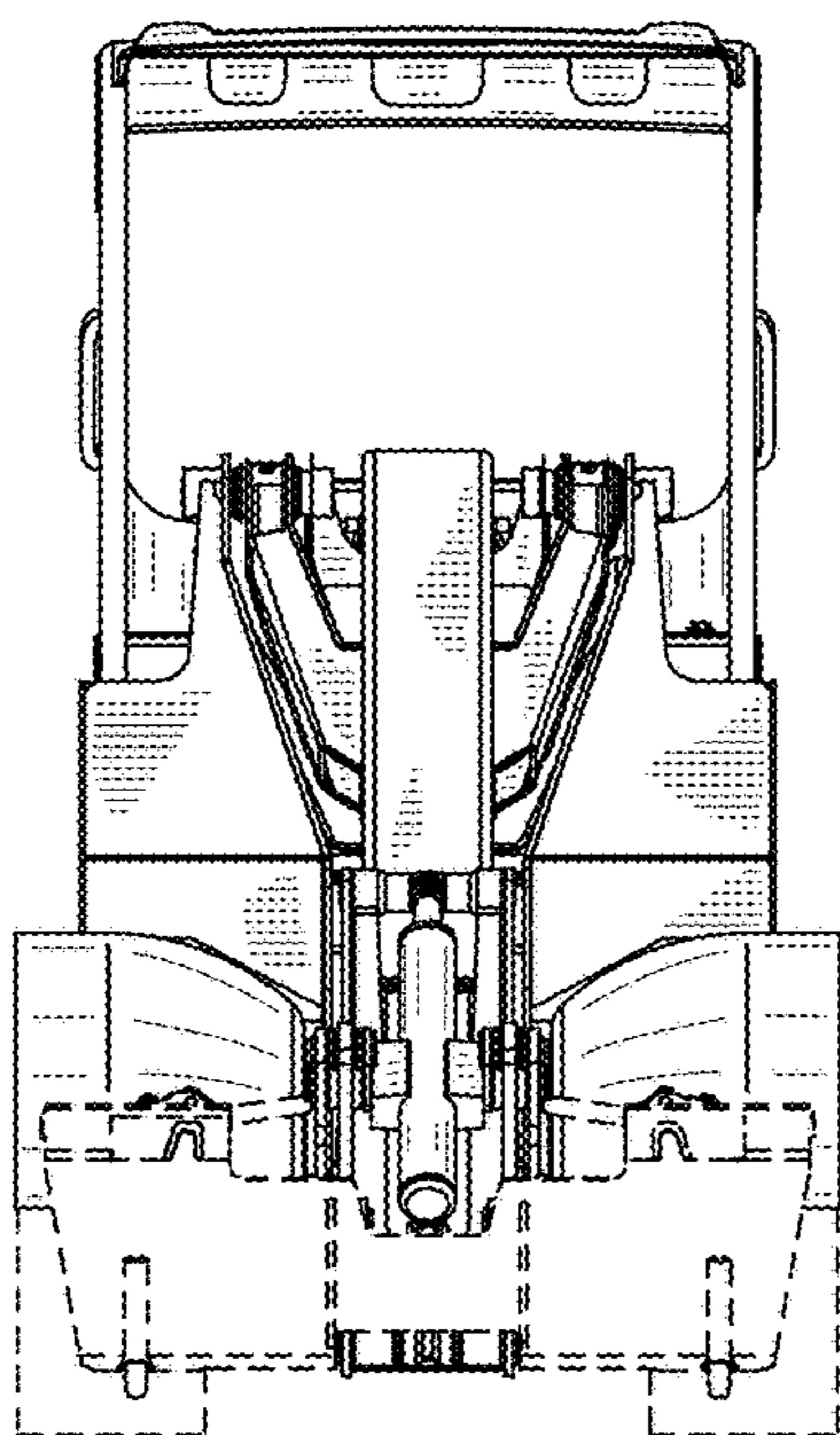


FIG. 2

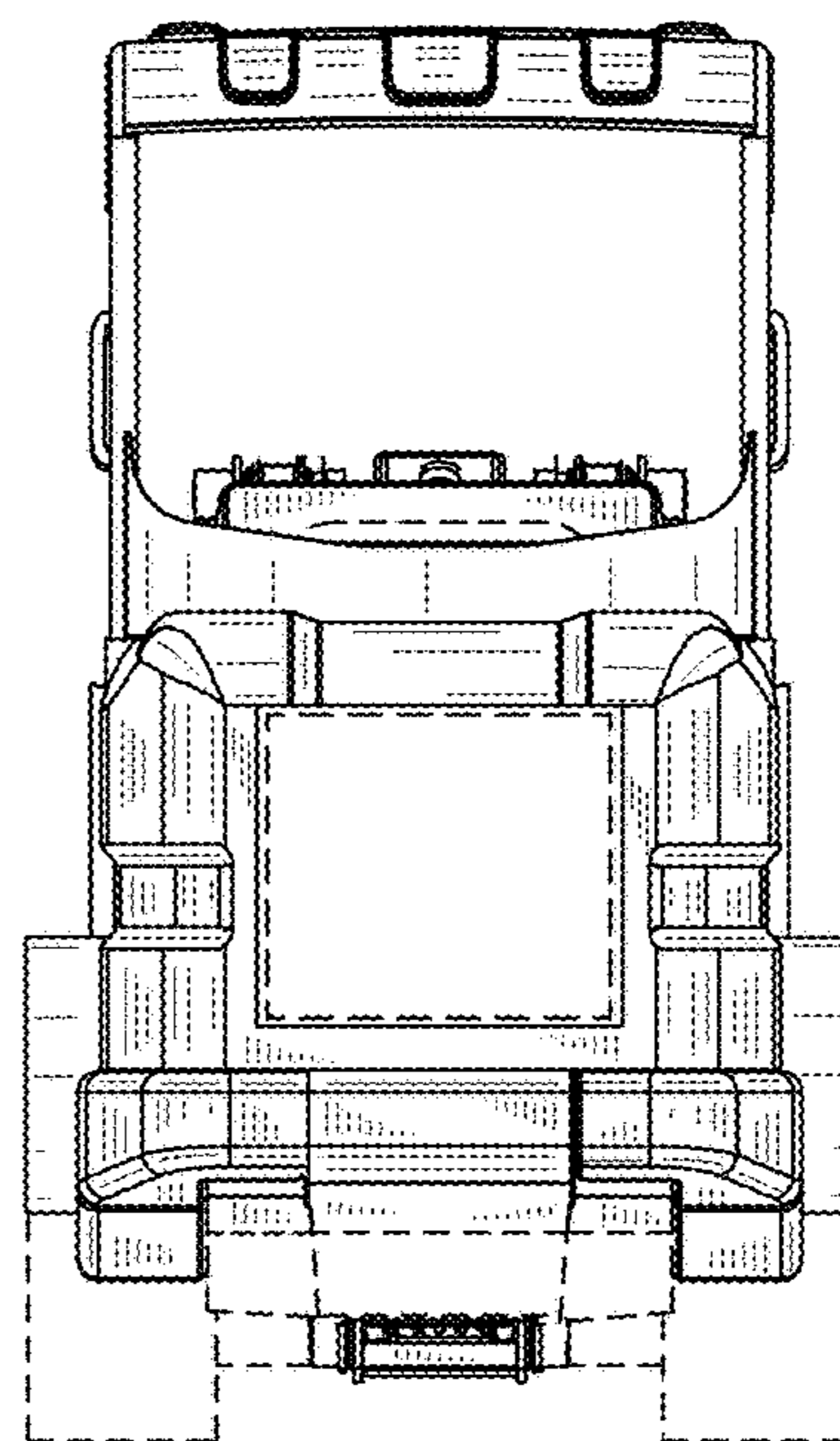


FIG. 3

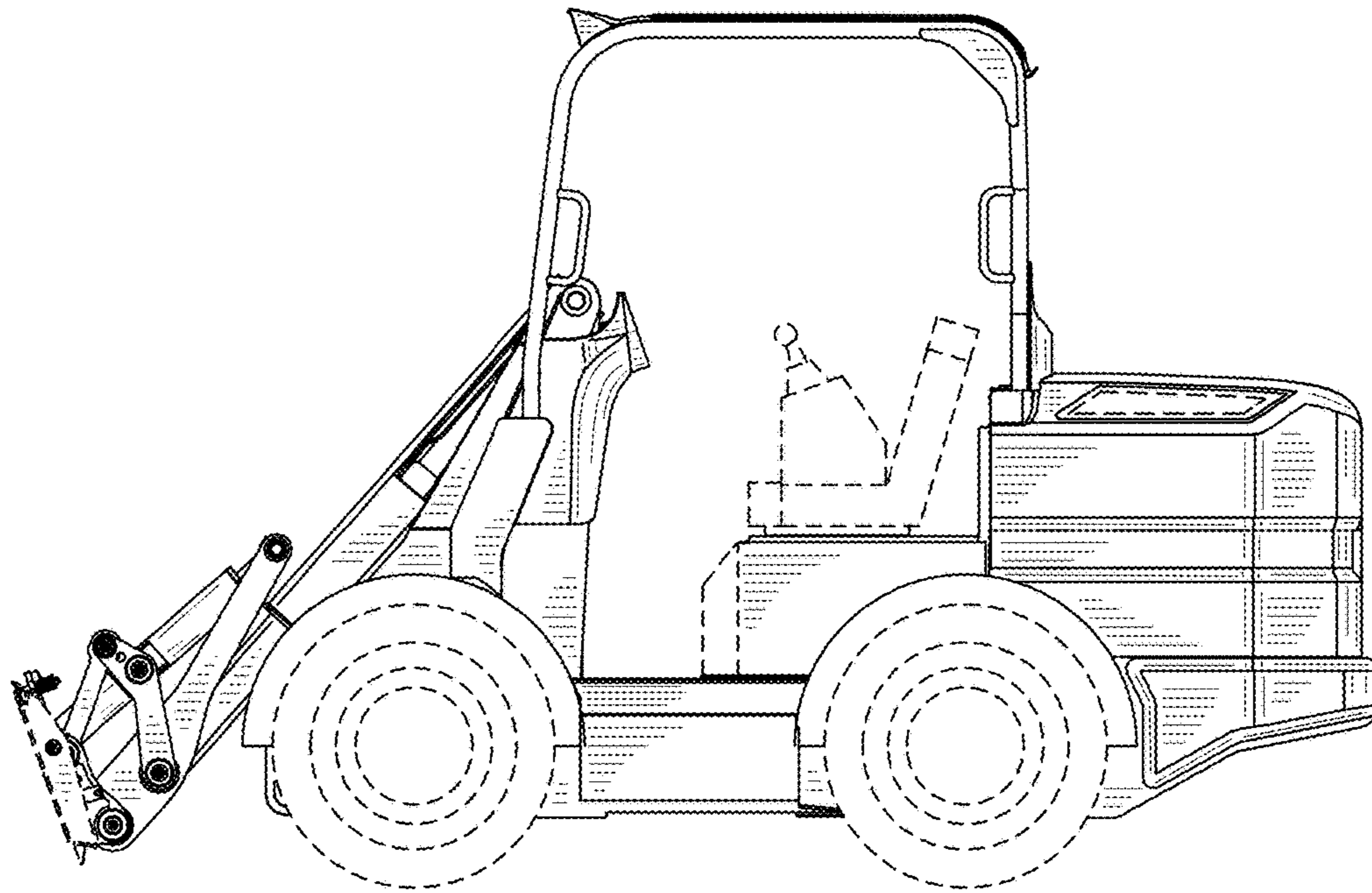


FIG. 4

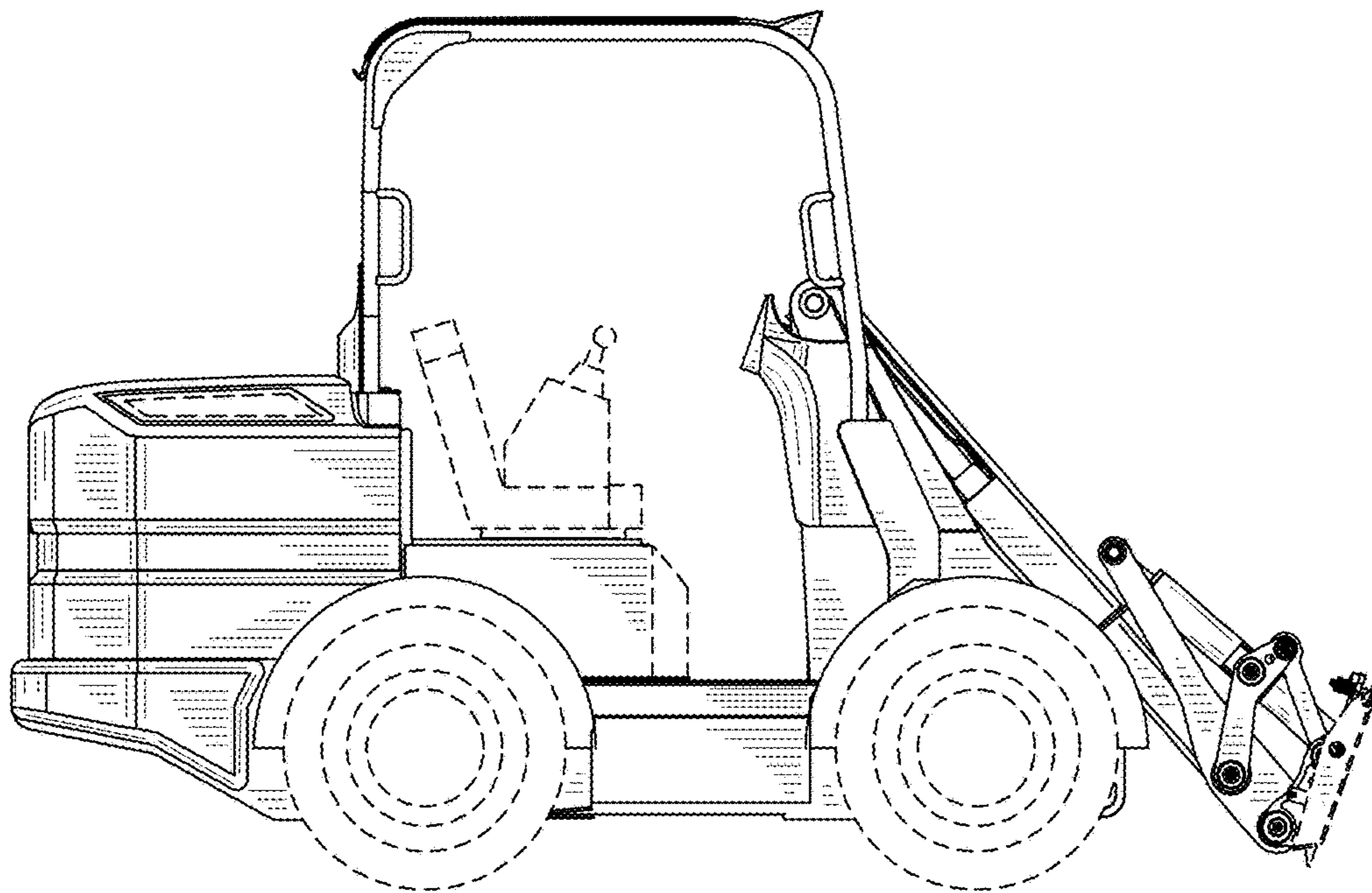


FIG. 5

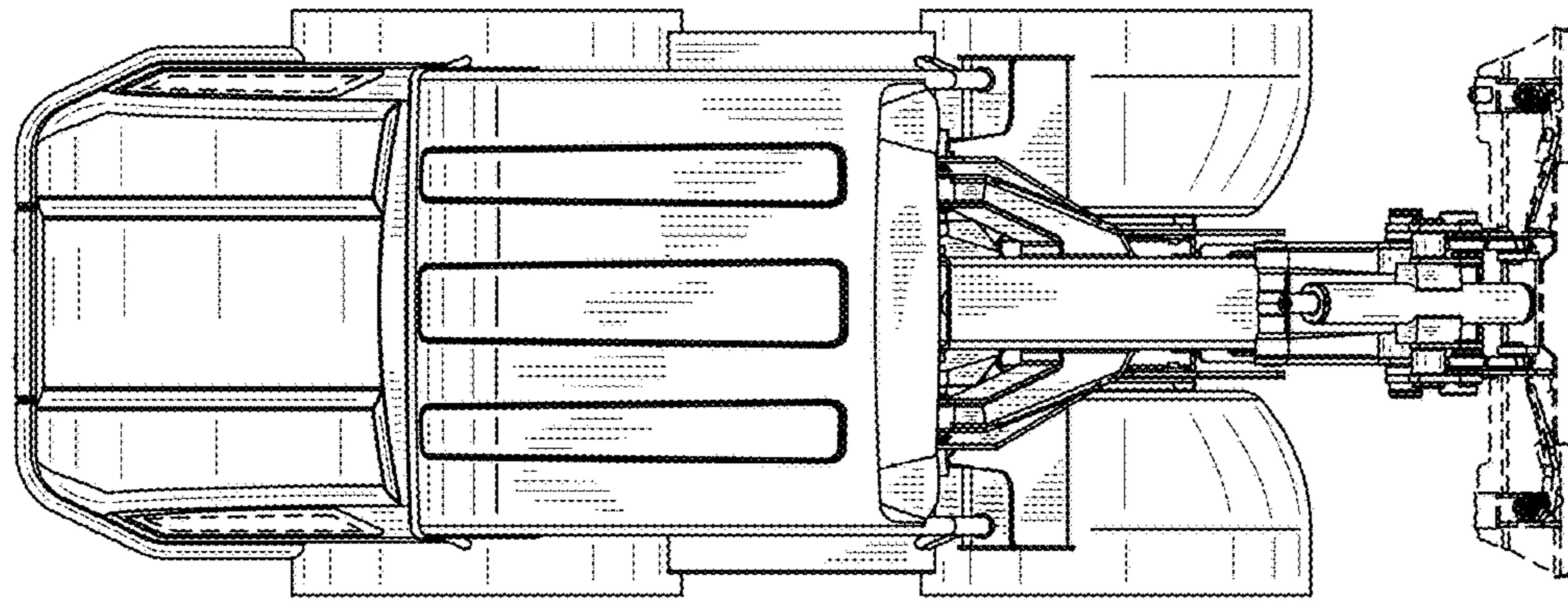


FIG. 6

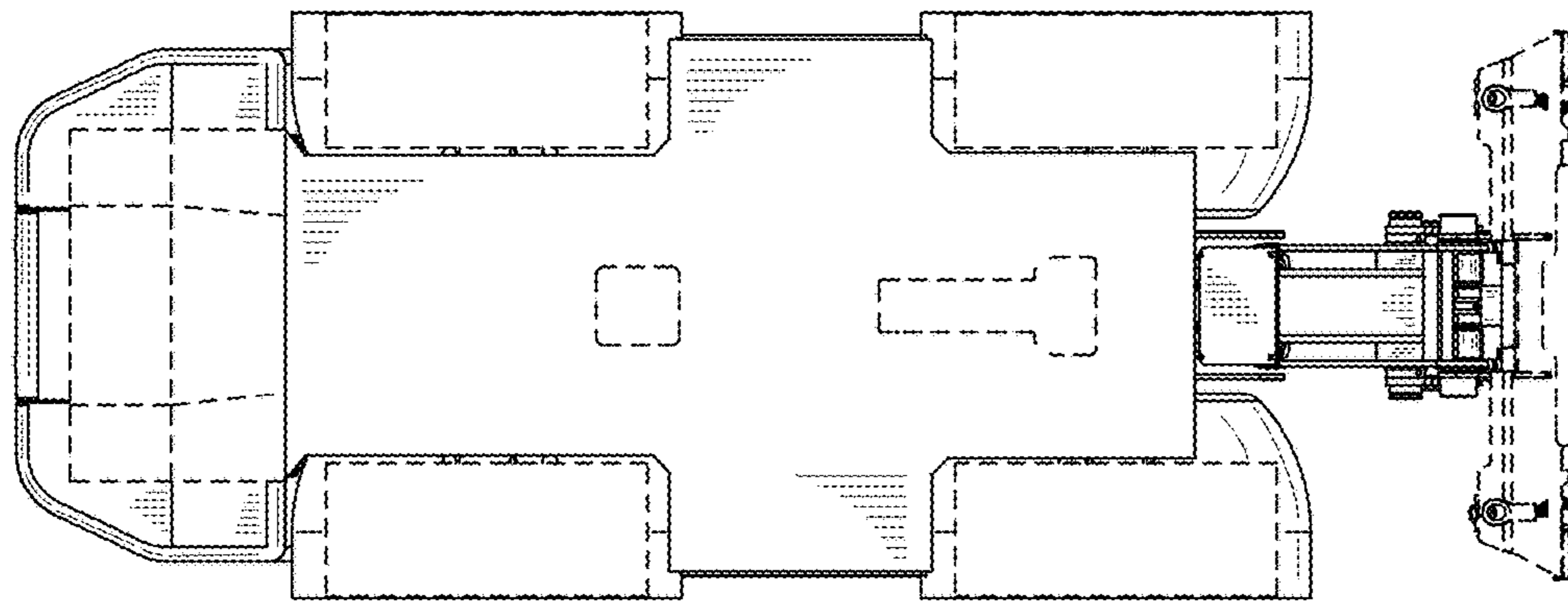


FIG. 7