



US00D832550S

(12) **United States Design Patent** (10) **Patent No.:** **US D832,550 S**
Lehmann (45) **Date of Patent:** **** Oct. 30, 2018**

- (54) **LIFT TRUCK**
- (71) Applicant: **MANITOU BF (Societe Anonyme), Ancenis (FR)**
- (72) Inventor: **Thierry Lehmann, Nantes (FR)**
- (73) Assignee: **MANITOU BF (SOCIETE ANONYME), Ancenis (FR)**
- (**) Term: **15 Years**
- (21) Appl. No.: **29/571,808**
- (22) Filed: **Jul. 21, 2016**
- (51) **LOC (11) Cl.** **12-05**
- (52) **U.S. Cl.**
USPC **D34/34**
- (58) **Field of Classification Search**
USPC D34/34, 37; D15/23–28, 29–33; 187/222, 237, 238; 414/592, 631
CPC B60P 1/483; B66F 9/06; B66F 9/24; B66F 9/12; B66F 9/0755; B66F 9/07572; B66F 17/003
See application file for complete search history.

| | | | | |
|-------------------|--------|---------|-------|-----------------------|
| D756,059 S * | 5/2016 | Kang | | D34/34 |
| D790,148 S * | 6/2017 | Kang | | D34/34 |
| D790,149 S * | 6/2017 | Kang | | D34/34 |
| 2017/0217304 A1 * | 8/2017 | Kawazoe | | B60K 13/04 187/222 |
| 2017/0217305 A1 * | 8/2017 | Kawazoe | | B60K 13/04 187/222 |

* cited by examiner

Primary Examiner — Cynthia Ramirez
Assistant Examiner — Michael A Maharajh
(74) *Attorney, Agent, or Firm* — Ipsilon USA, LLP

(57) **CLAIM**

The ornamental design for a lift truck, as shown and described.

DESCRIPTION

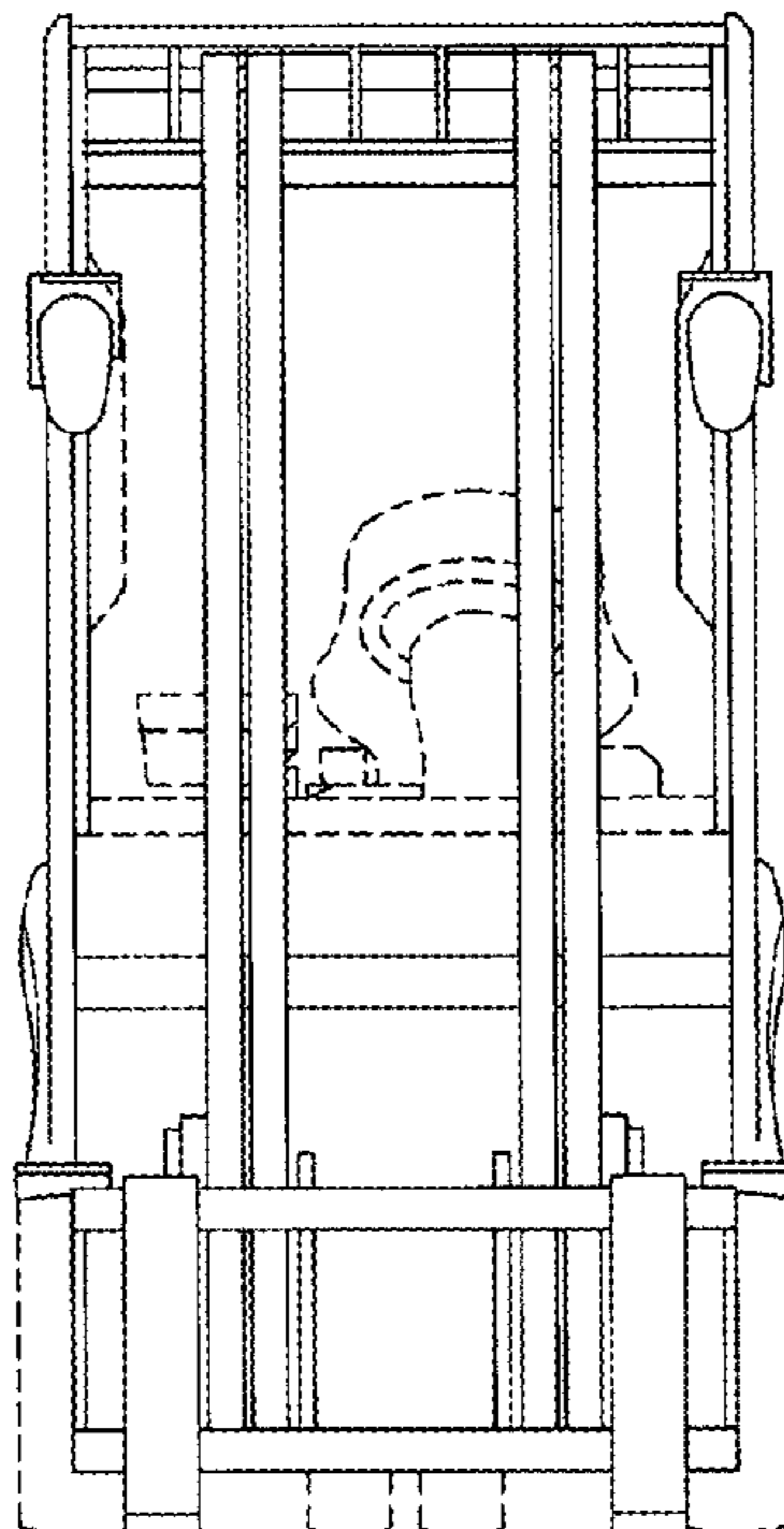
FIG. 1 is a front elevation view of the lift truck, showing my new design;
FIG. 2 is a back elevation view of the design as shown in FIG. 1;
FIG. 3 is a left side view of the design as shown in FIG. 1;
FIG. 4 is a right side view of the design as shown in FIG. 1;
FIG. 5 is a top plan view of the design as shown in FIG. 1;
FIG. 6 is a bottom plan view of the design as shown in FIG. 1; and,
FIG. 7 is a perspective view of the design as shown in FIG. 1.
The broken lines shown in the figures are for the purpose of illustrating portions of the lift truck and form no part of the claimed design.

1 Claim, 7 Drawing Sheets

(56) **References Cited**

U.S. PATENT DOCUMENTS

| | | | | |
|--------------|---------|----------|-------|--------|
| D470,990 S * | 2/2003 | Han | | D34/34 |
| D584,024 S * | 12/2008 | Stark | | D34/34 |
| D584,873 S * | 1/2009 | Kuraoka | | D34/34 |
| D601,325 S * | 9/2009 | Tanaka | | D34/34 |
| D731,736 S * | 6/2015 | Kurihara | | D34/34 |
| D731,737 S * | 6/2015 | Seimiya | | D34/34 |



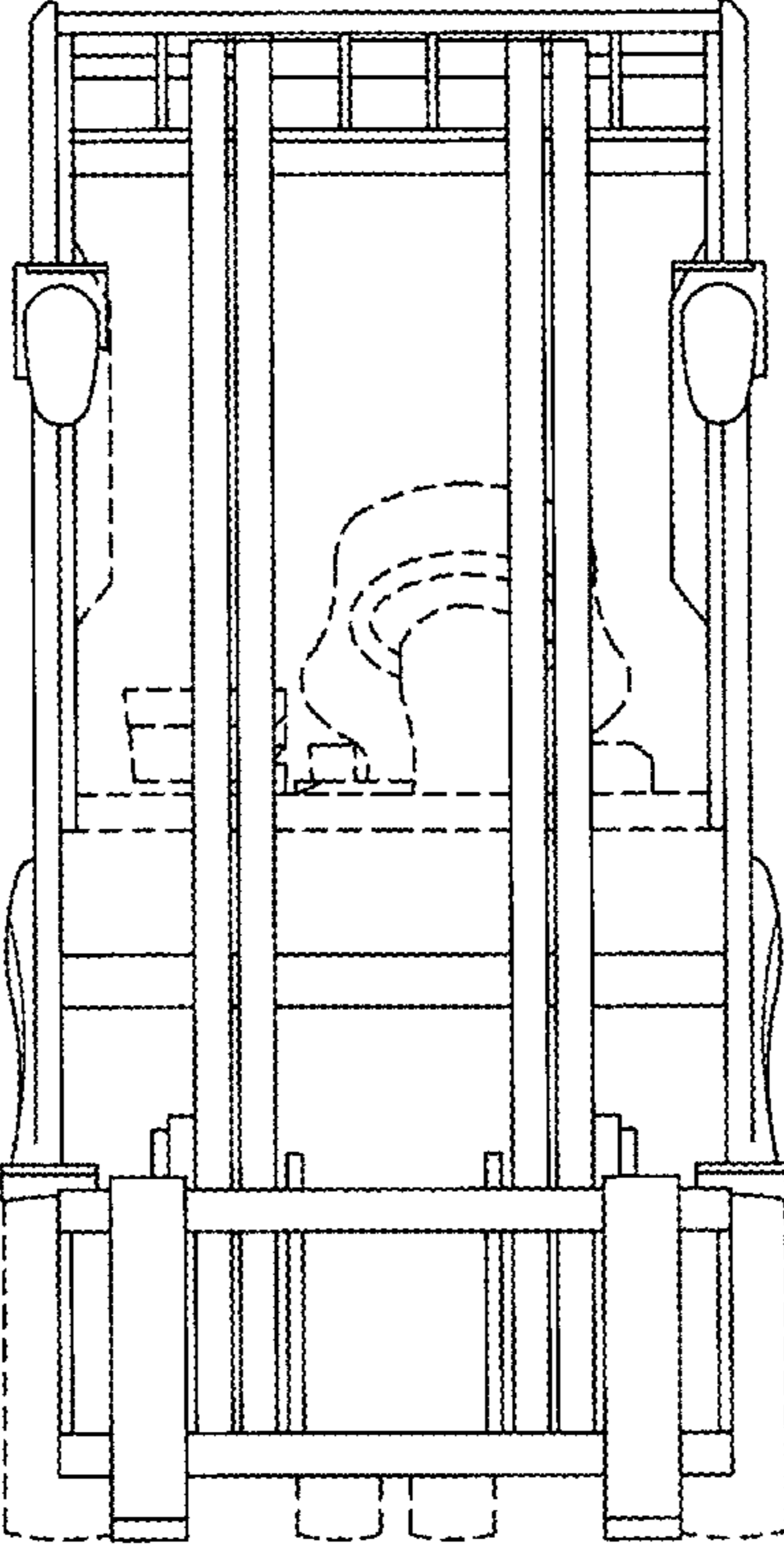


FIG. 1

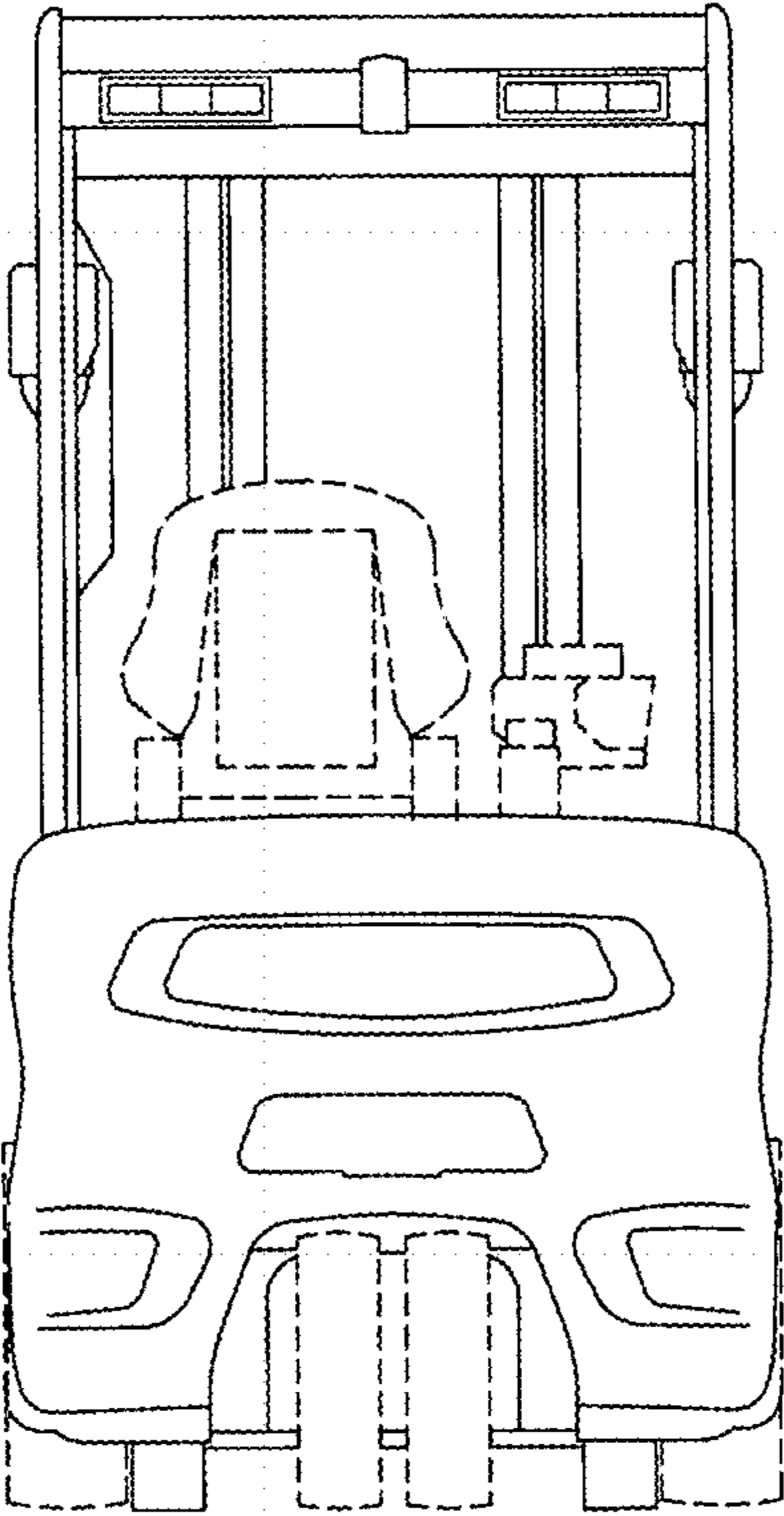


FIG. 2

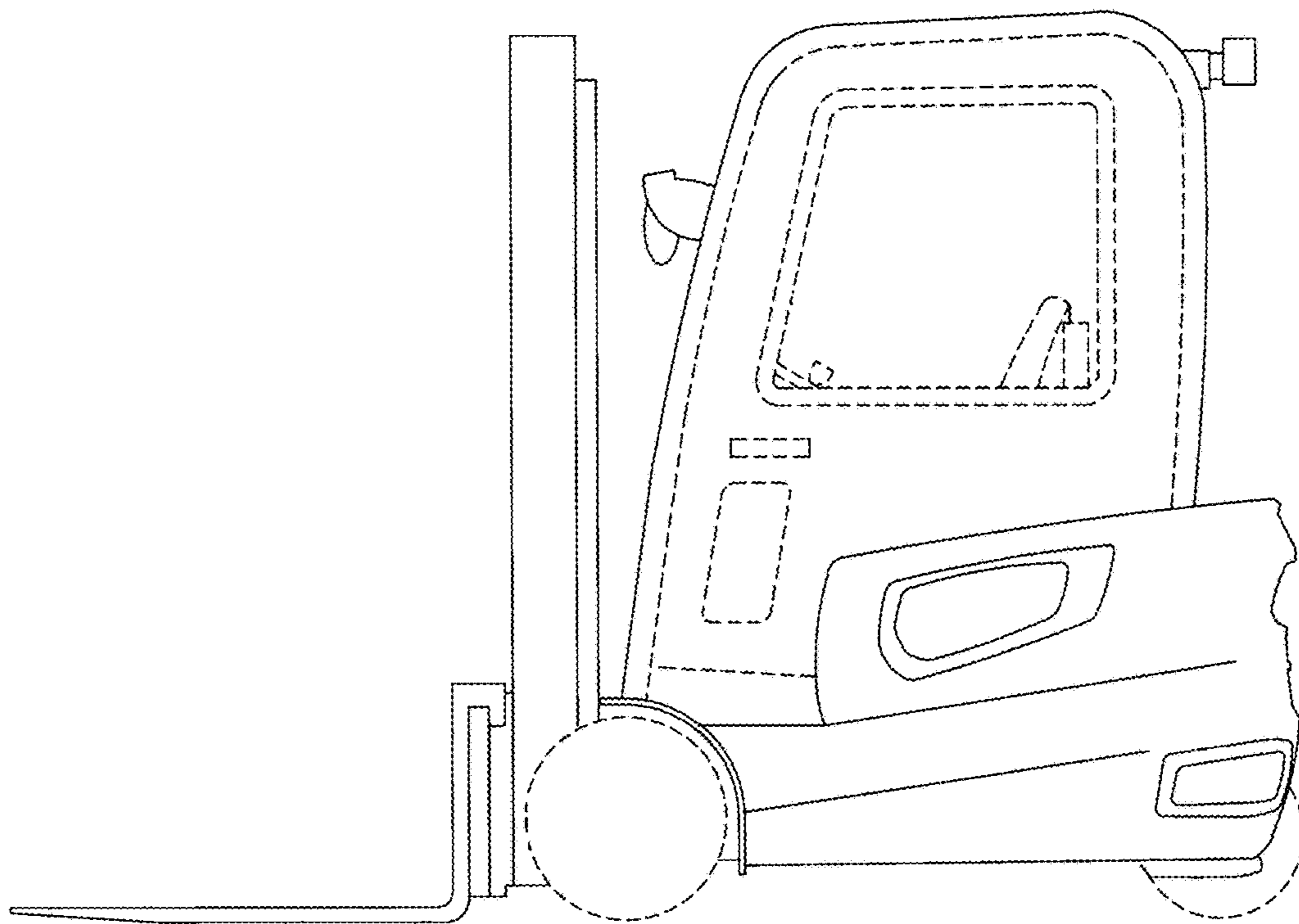


FIG. 3

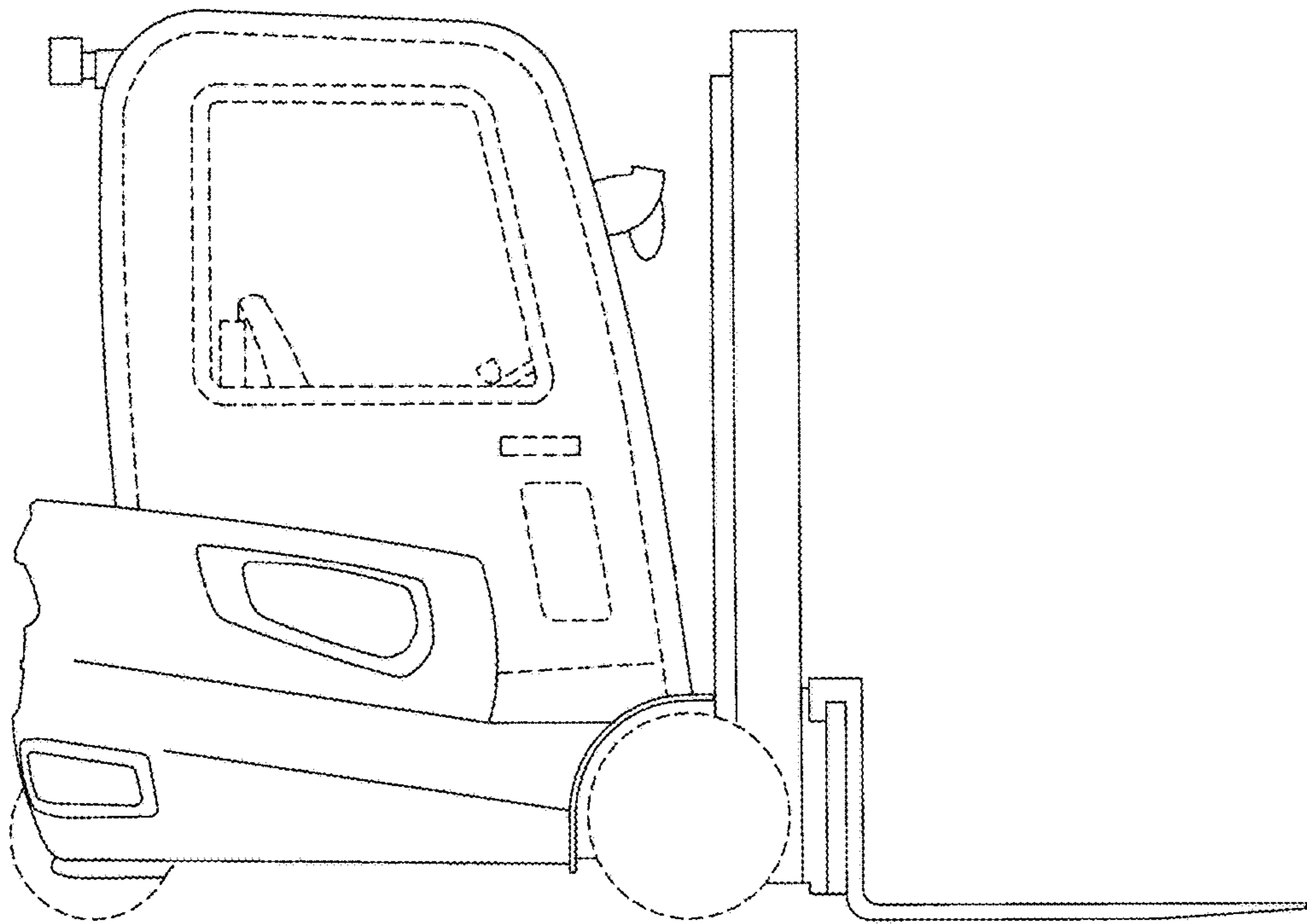


FIG. 4

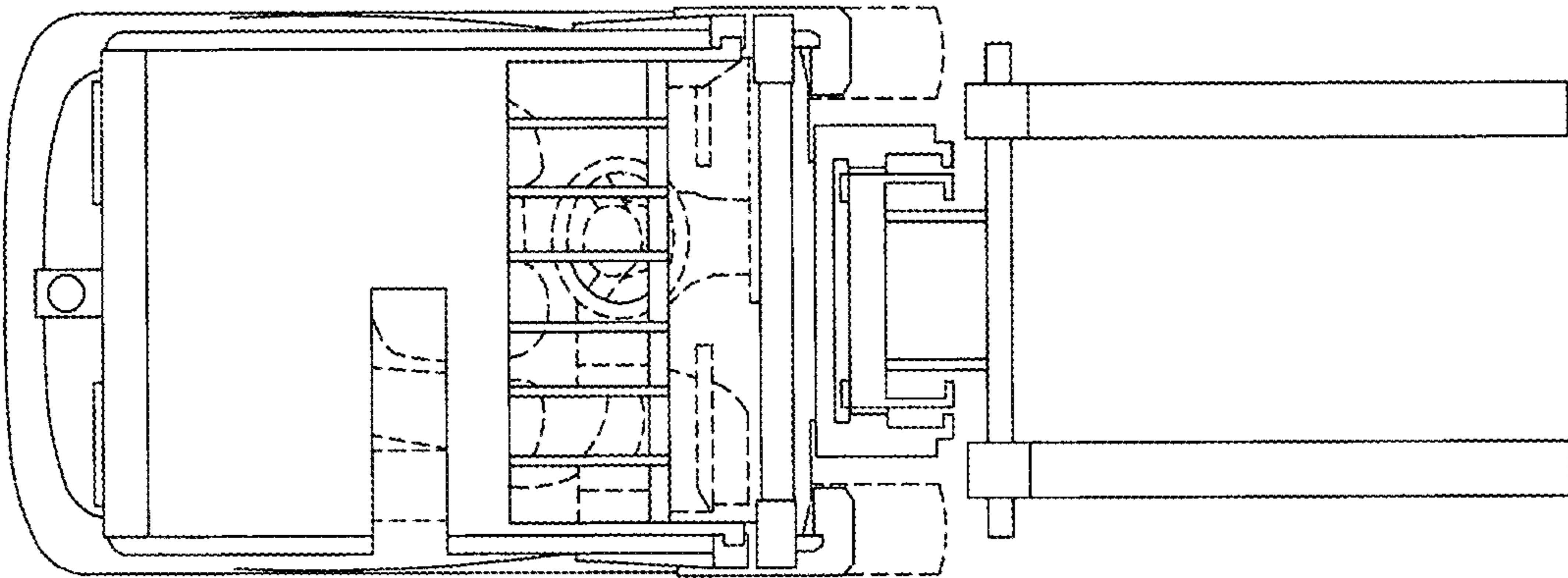


FIG. 5

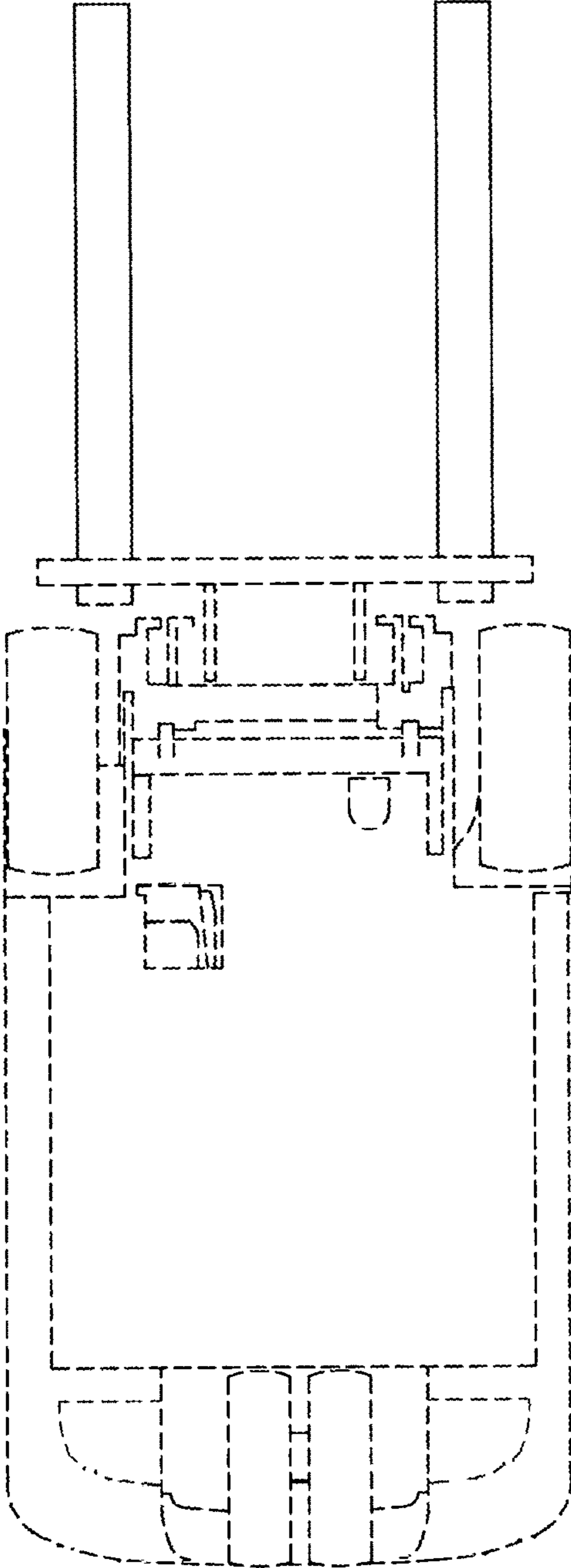


FIG. 6

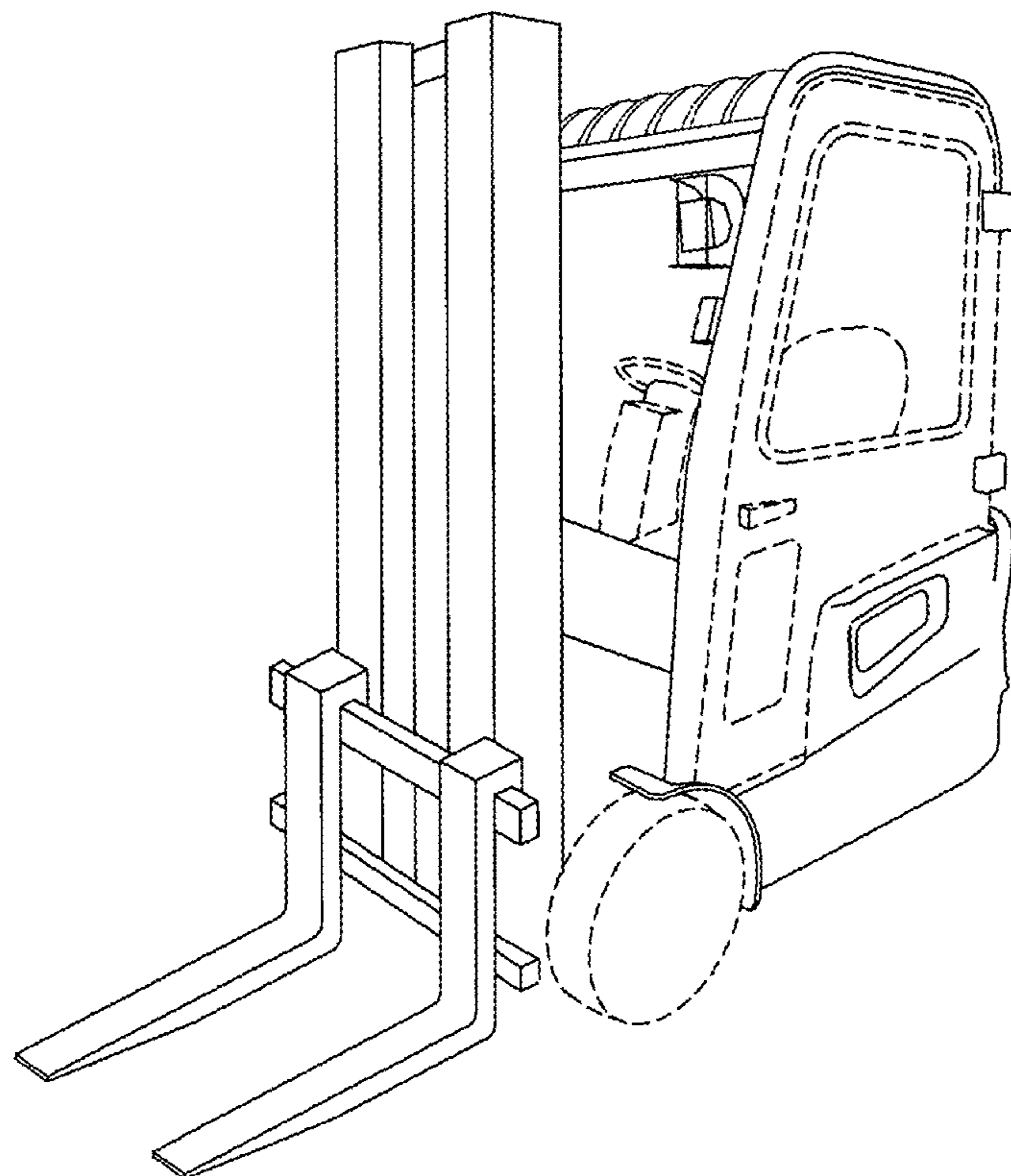


FIG. 7