



US00D832549S

(12) **United States Design Patent**
Cao

(10) **Patent No.:** **US D832,549 S**
(45) **Date of Patent:** **** Oct. 30, 2018**

- (54) **SERVING TROLLEY**
- (71) Applicant: **Guohua Cao**, Guangdong (CN)
- (72) Inventor: **Guohua Cao**, Guangdong (CN)
- (**) Term: **15 Years**
- (21) Appl. No.: **29/591,872**
- (22) Filed: **Jan. 25, 2017**
- (51) **LOC (11) Cl.** **12-02**
- (52) **U.S. Cl.**
USPC **D34/21**
- (58) **Field of Classification Search**
USPC D34/12, 13, 16, 17, 20, 21, 22, 23, 26,
D34/27; 280/651, 47.34, 47.26, 47.19,
280/47.35, 30, 47.17, 654, 659, 79.11,
280/79.3, 641; D7/334
CPC B62B 1/12; B62B 5/0438; B62B 3/027;
B62B 2206/006; B62B 3/0606; B62B
2202/67; A47B 31/00; A47B 2031/002;
A47B 2031/004; A47B 96/00; A47B
2031/008
See application file for complete search history.

- D436,239 S * 1/2001 Walsh D34/17
- D517,769 S * 3/2006 Post D34/21
- D703,412 S * 4/2014 Snider D34/17
- D756,584 S * 5/2016 Dunford D34/12
- D757,387 S * 5/2016 Cao D34/21

* cited by examiner

Primary Examiner — Cynthia Ramirez
Assistant Examiner — Gino Colan

(57) **CLAIM**

The ornamental design for a serving trolley, as shown and described.

DESCRIPTION

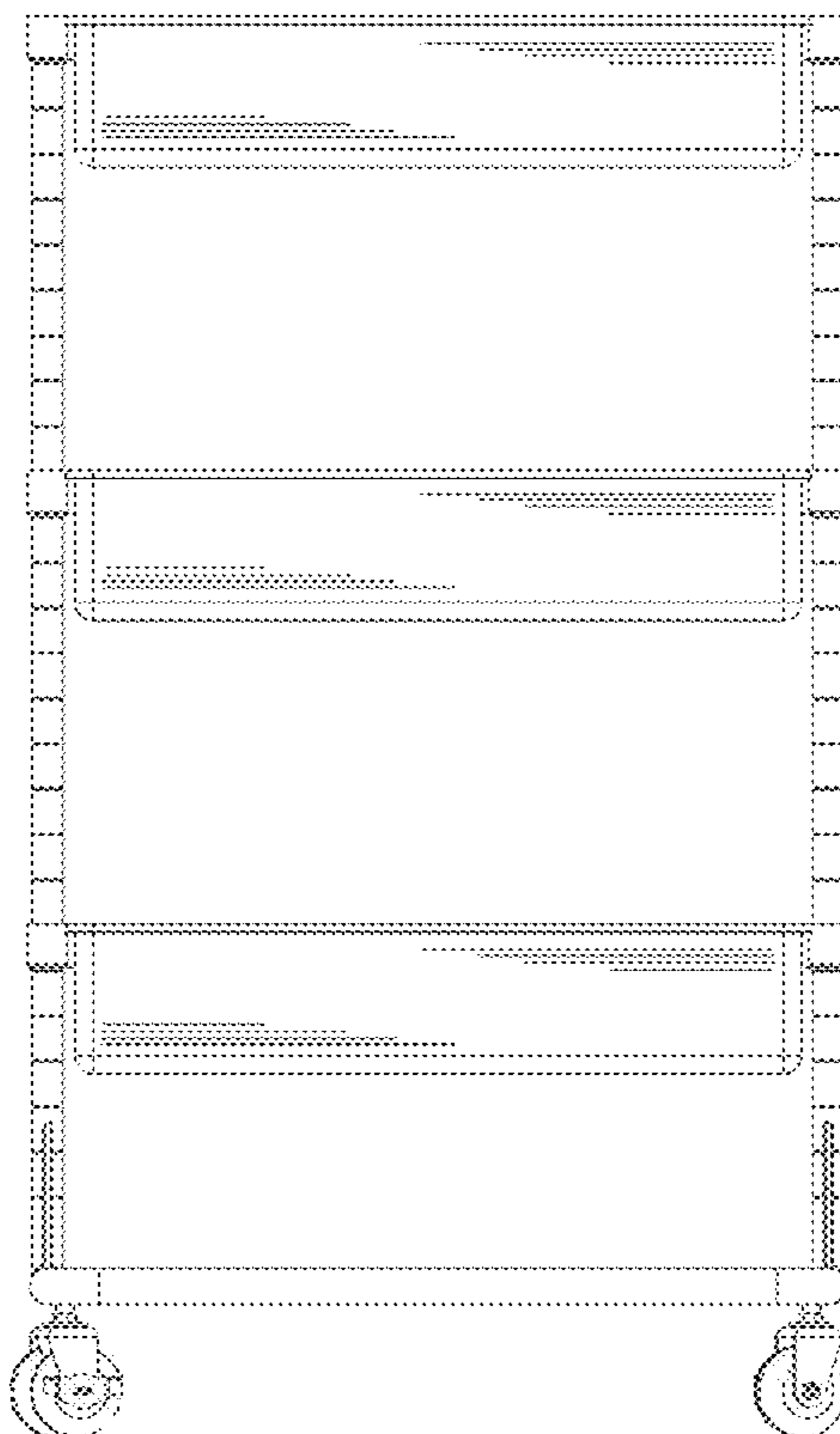
FIG. 1 is a front elevational view of a serving trolley showing my new design;
FIG. 2 is a rear elevational view thereof;
FIG. 3 is a left side view thereof;
FIG. 4 is a right side view thereof;
FIG. 5 is a top plan view thereof;
FIG. 6 is a bottom plan view thereof;
FIG. 7 is a perspective view thereof; and,
FIG. 8 is another perspective view thereof.

(56) **References Cited**

U.S. PATENT DOCUMENTS

- D207,308 S * 4/1967 Bell D34/21
- D400,334 S * 10/1998 Hawkins D34/21

1 Claim, 8 Drawing Sheets



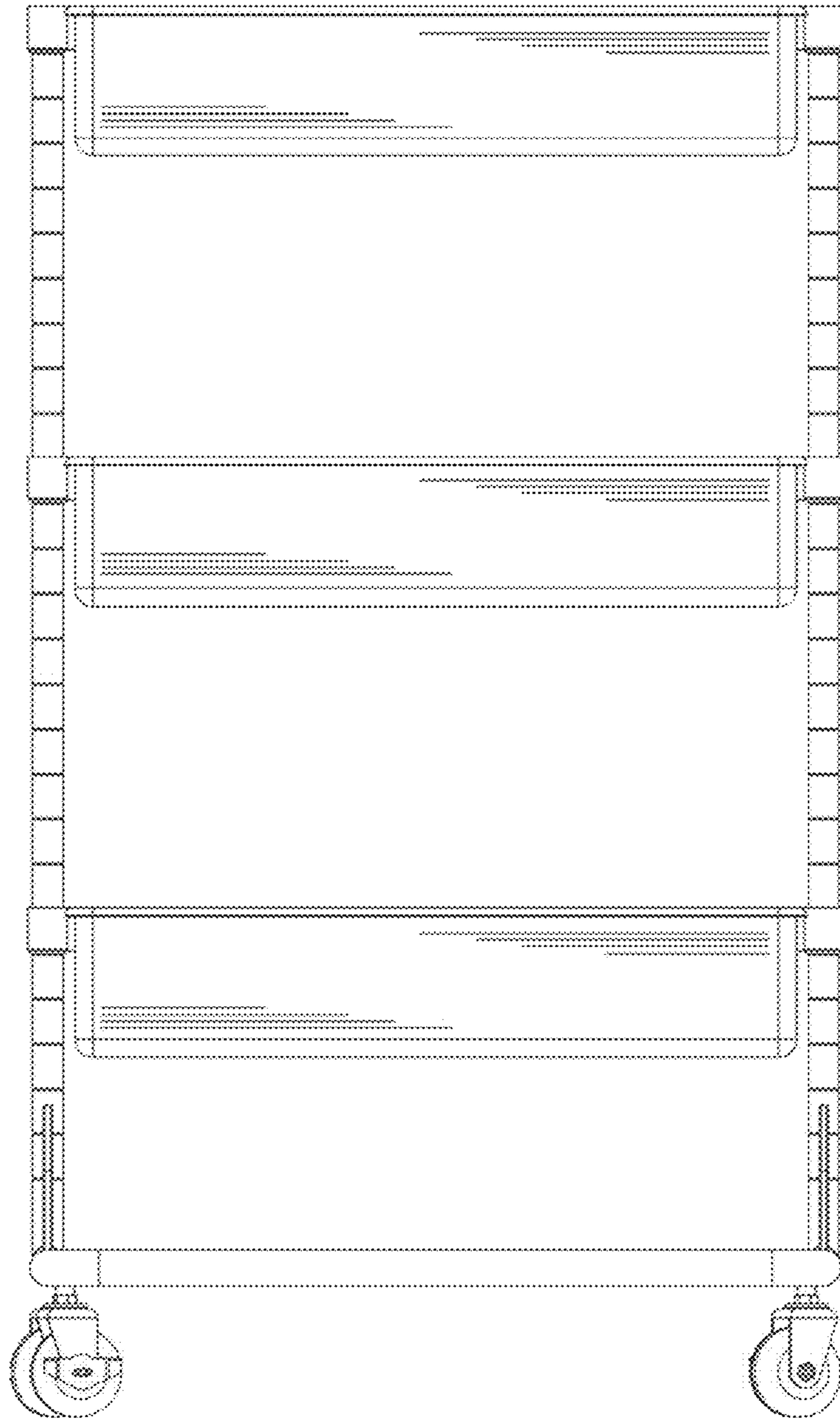


FIG. 1

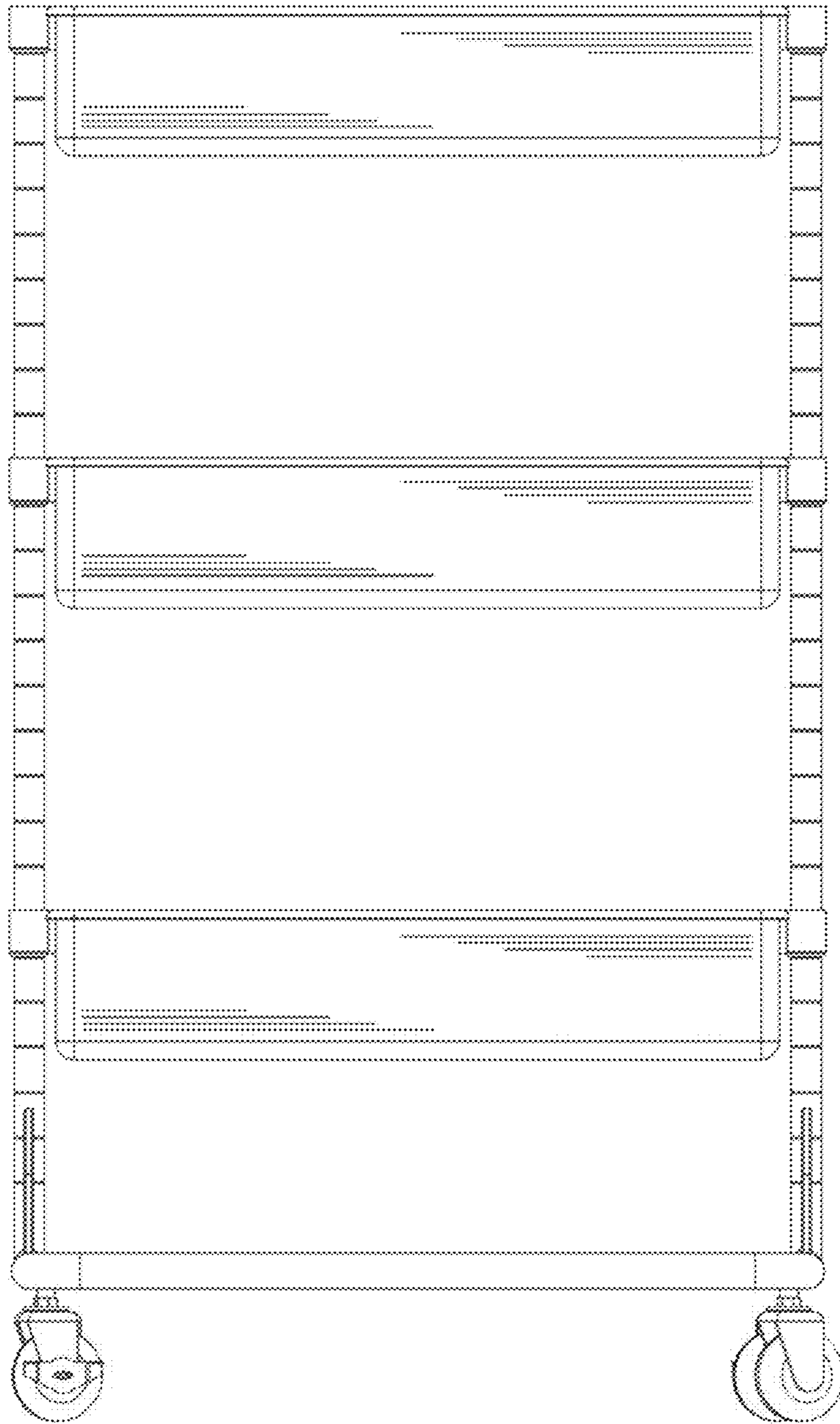


FIG. 2

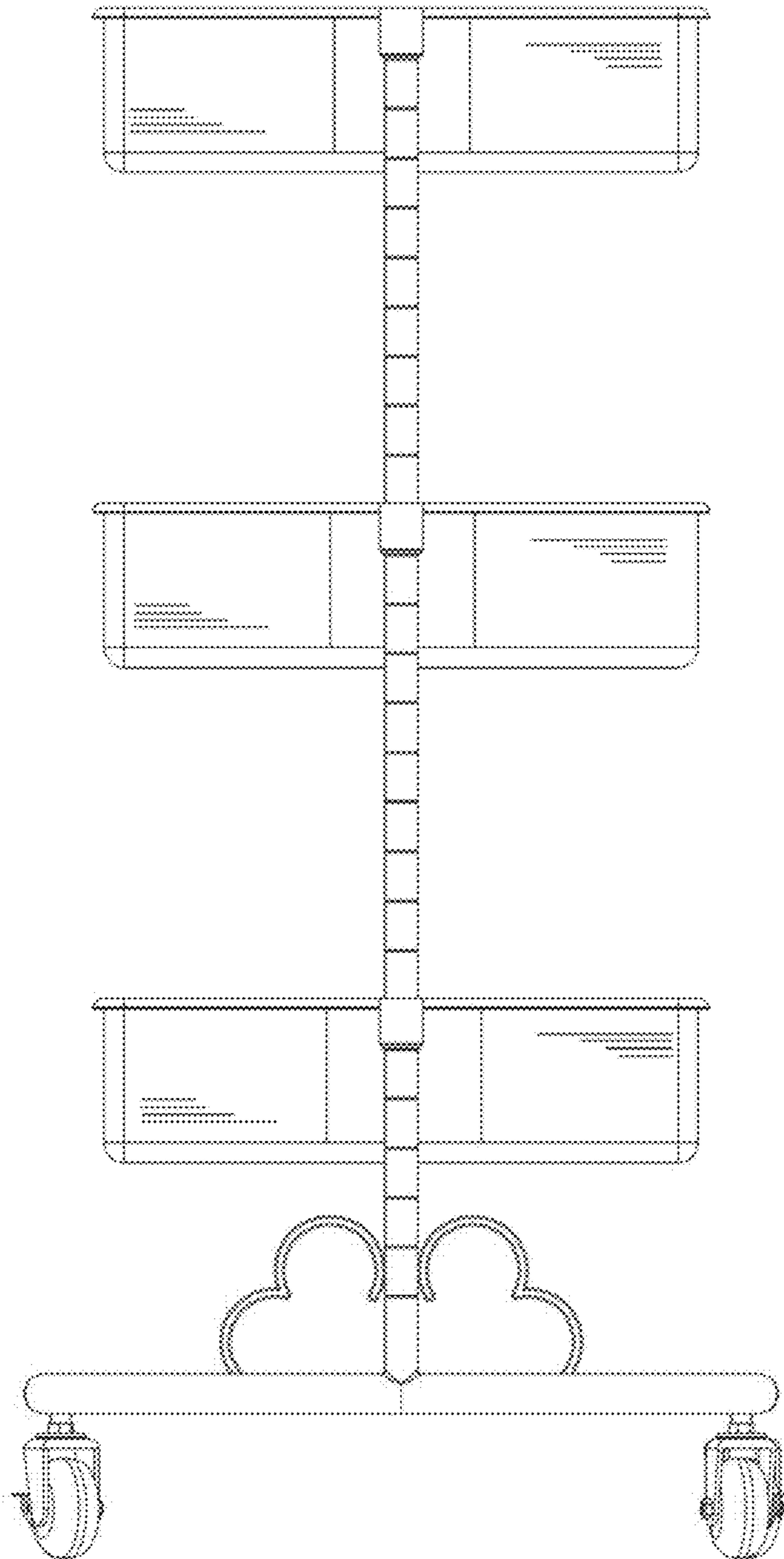


FIG. 3

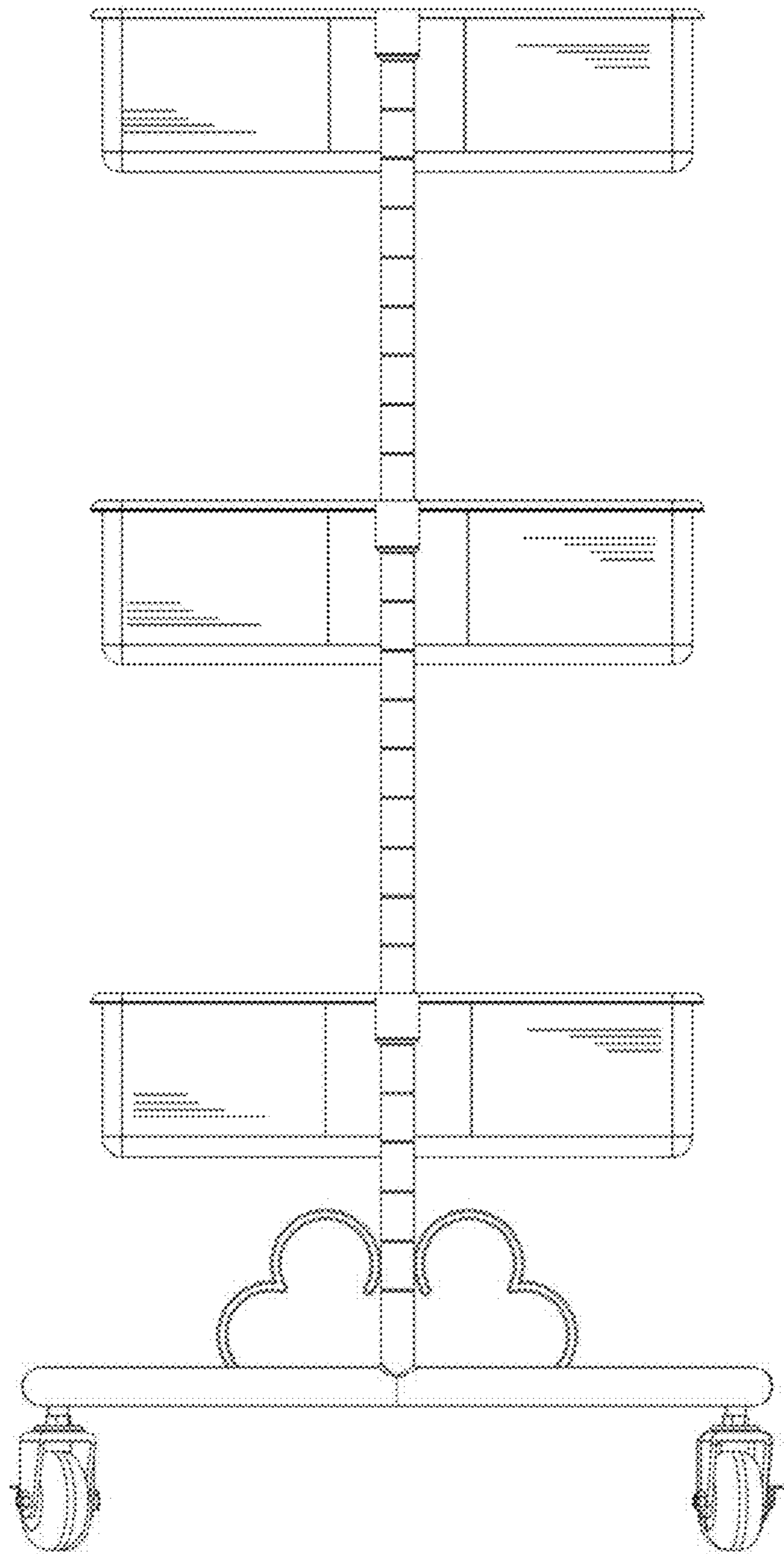


FIG. 4

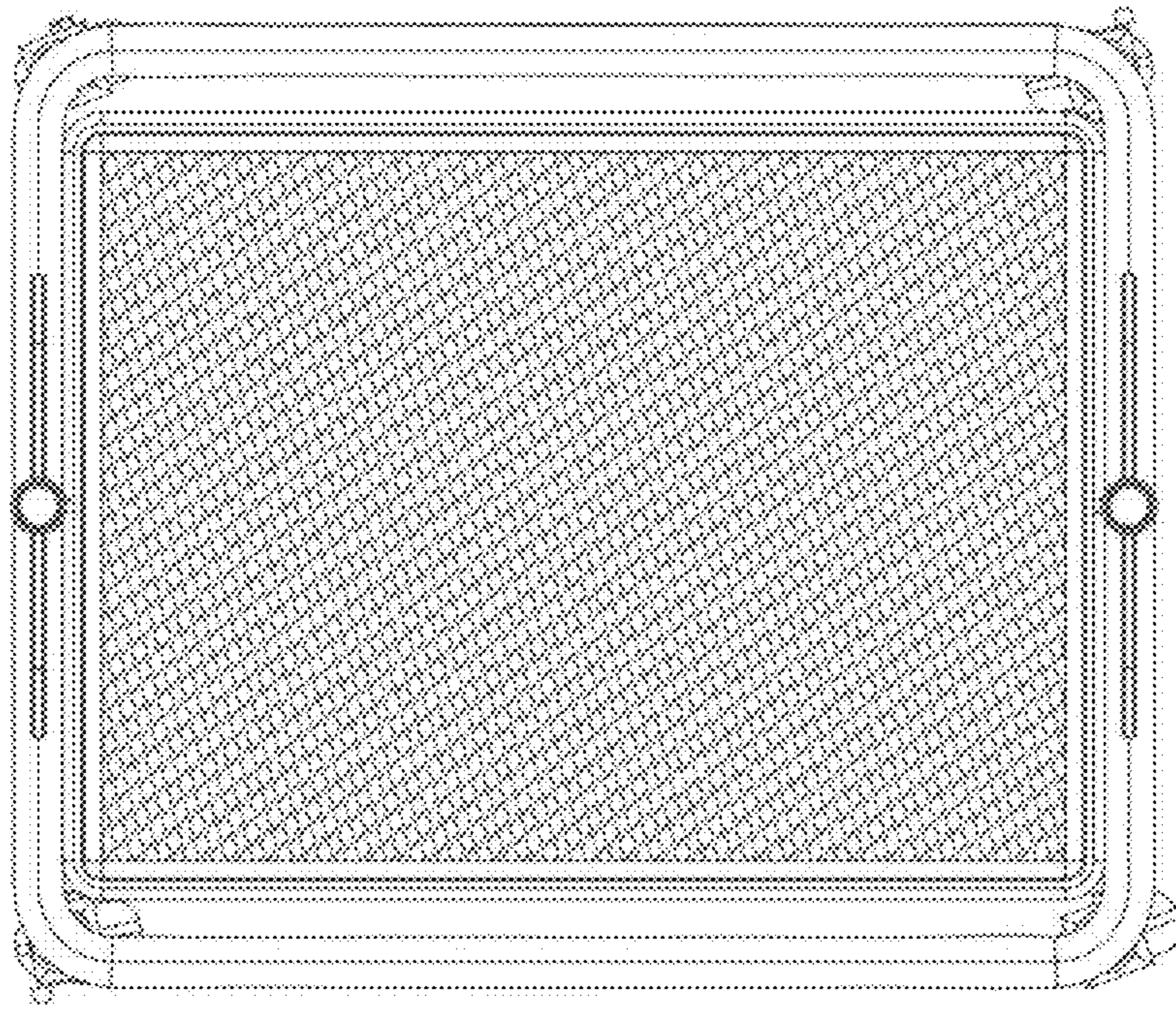


FIG. 5

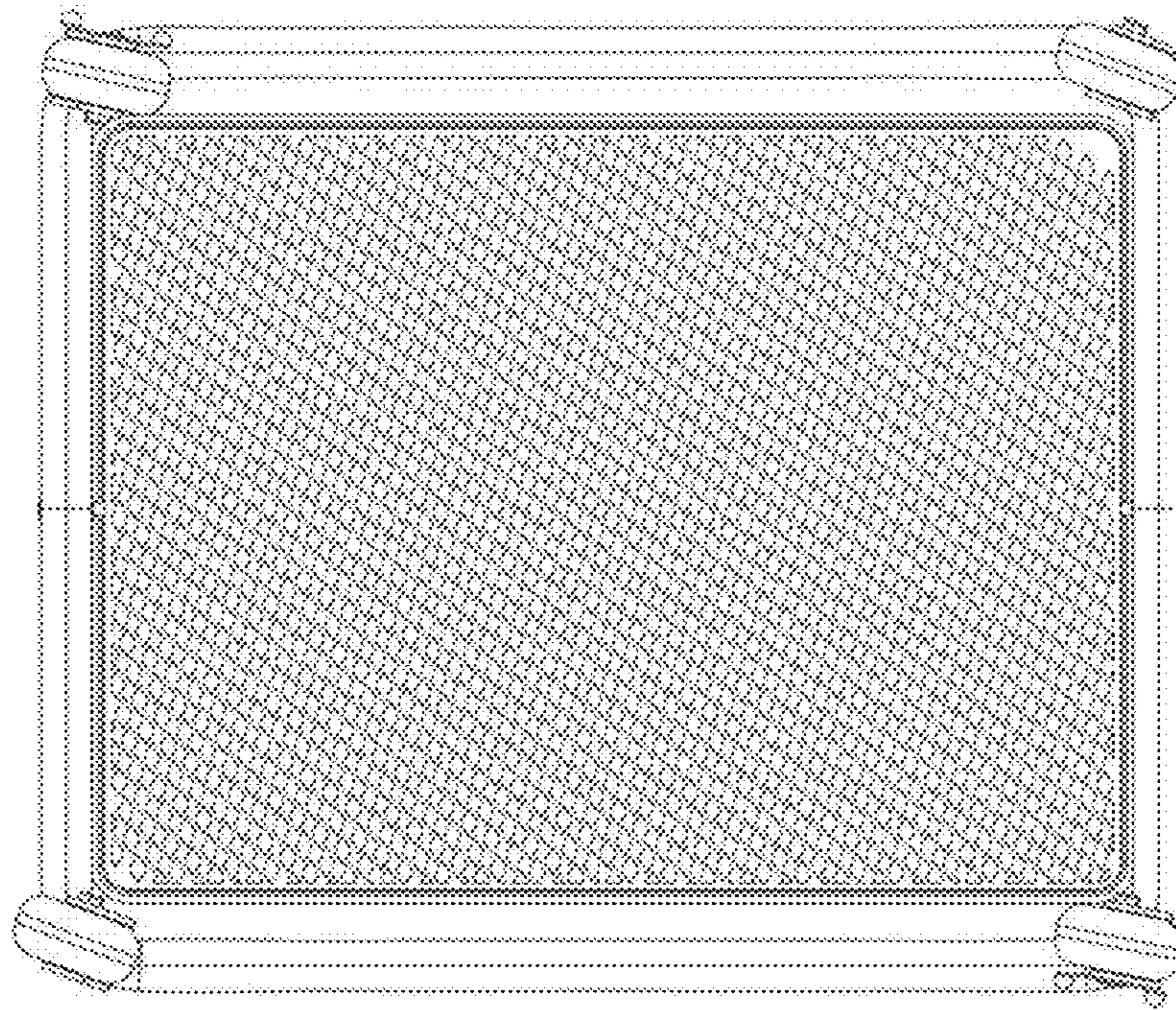


FIG. 6

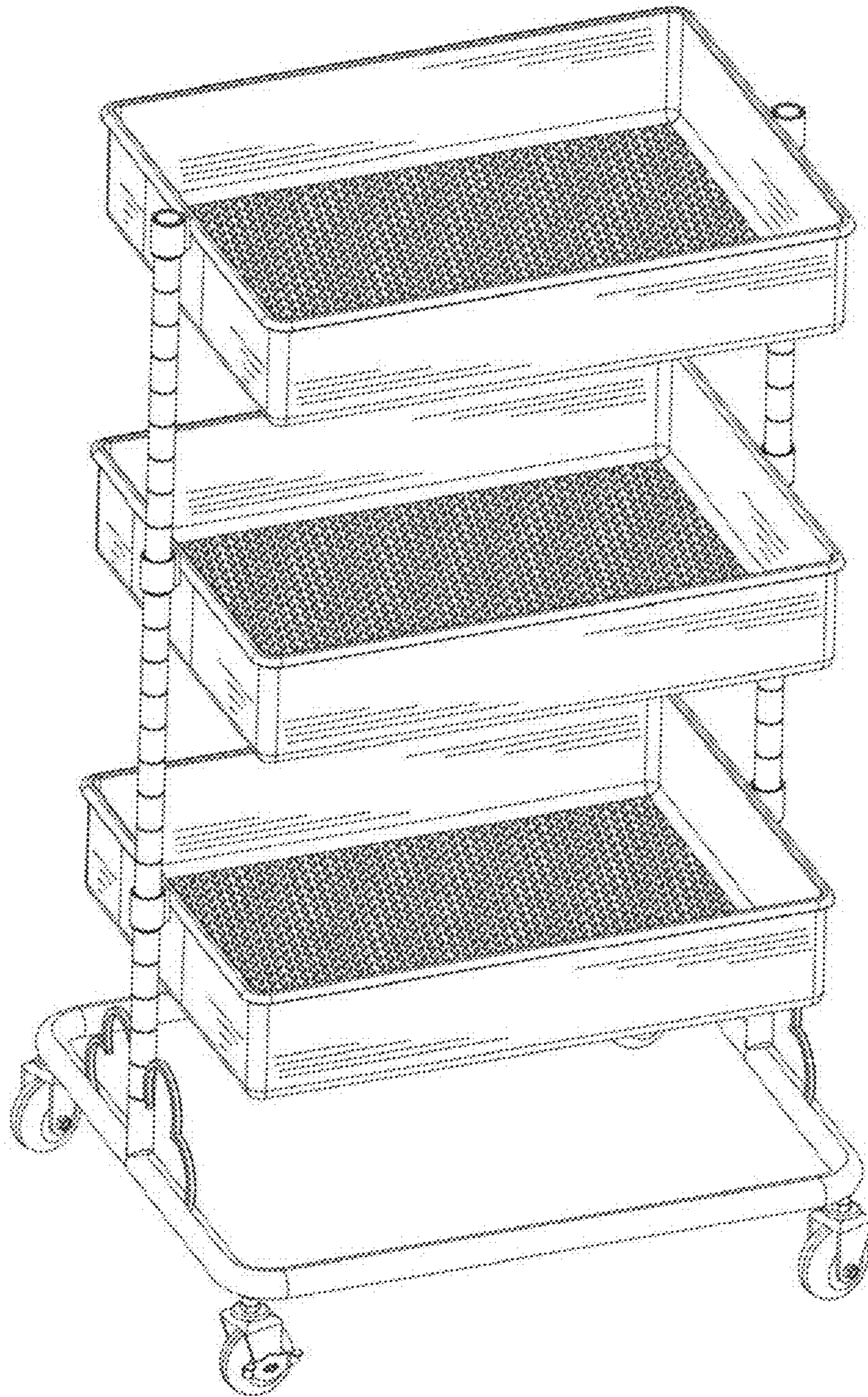


FIG. 7

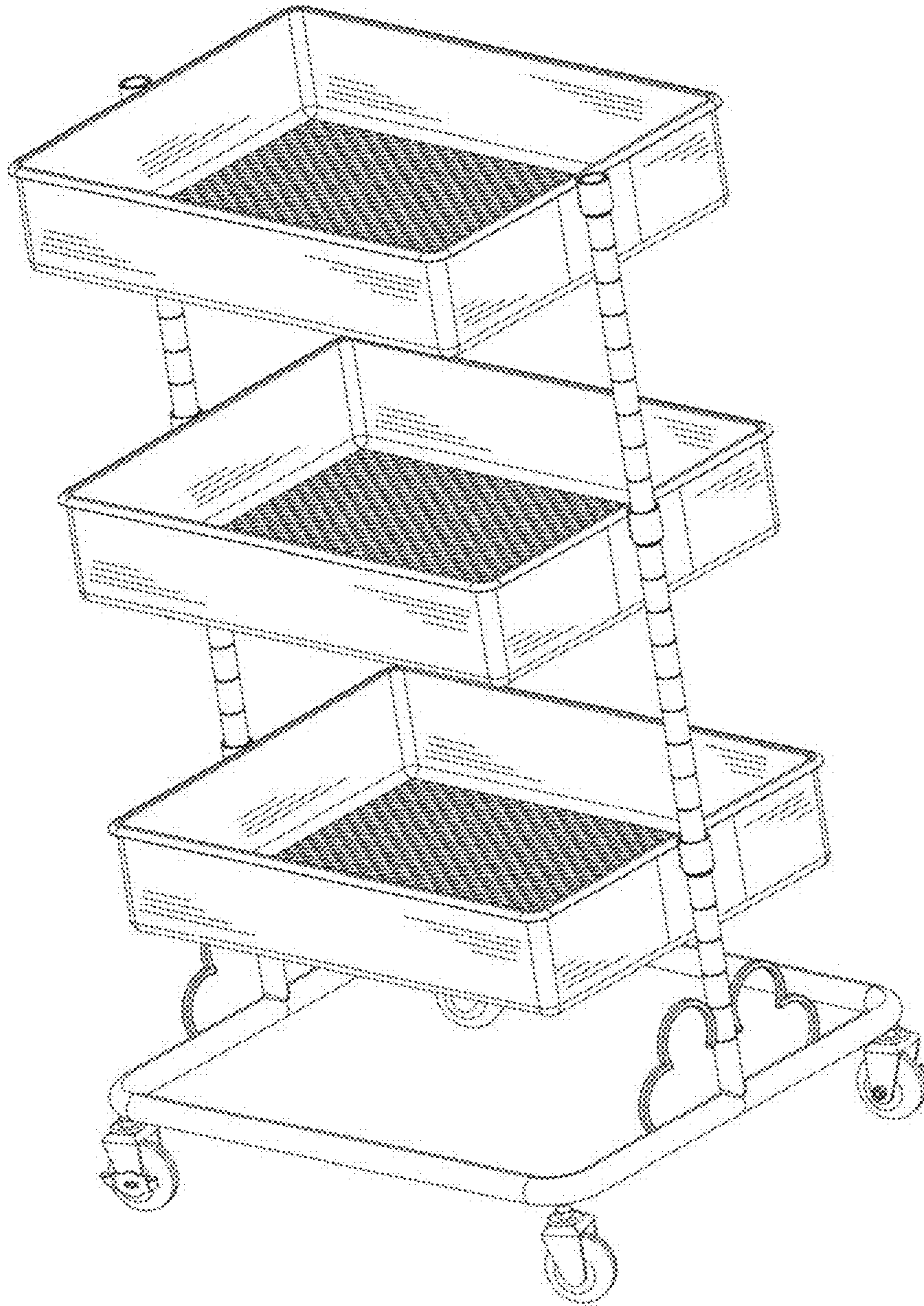


FIG. 8