



US00D832548S

(12) **United States Design Patent** (10) **Patent No.:** **US D832,548 S**
Labrecque et al. (45) **Date of Patent:** **** Oct. 30, 2018**

(54) **WHEELED CONTAINER**

(71) Applicant: **IPL INC.**, St-Damien (CA)
(72) Inventors: **Jean-Gabriel Labrecque**,
St-Damien-de-Buckland (CA); **Roch**
Nolet, St-Joseph de Beauce (CA)
(73) Assignee: **IPL INC.**, St-Damien (CA)
(**) Term: **15 Years**

(21) Appl. No.: **29/599,177**
(22) Filed: **Mar. 31, 2017**
(51) **LOC (11) Cl.** **09-09**
(52) **U.S. Cl.**
USPC **D34/10; D34/1; D34/5**
(58) **Field of Classification Search**
USPC **D34/1, 5, 6, 10, 11; 220/908-913, 67;**
280/47.26
CPC **B65F 1/06; B65F 1/1615; B65F 1/1607;**
B65F 1/062; B65F 1/08; B65F 1/163;
B65F 1/16
See application file for complete search history.

(56) **References Cited**

U.S. PATENT DOCUMENTS

4,749,101 A * 6/1988 Durkan, Jr. B65F 1/1646
220/840
4,948,324 A 8/1990 Niederer
5,088,750 A 2/1992 Beese et al.
5,104,198 A 4/1992 Prout et al.

(Continued)

FOREIGN PATENT DOCUMENTS

CA 2795794 A1 11/2012
EP 161108 A2 11/1985

(Continued)

OTHER PUBLICATIONS

Toter—(image) 860749 Sunday Oct. 18, 2015.jpg.
Toter—(image) 240L.png Sunday Oct. 18, 2015.

Primary Examiner — Cynthia Ramirez
(74) *Attorney, Agent, or Firm* — Gwendoline Bruneau

(57) **CLAIM**

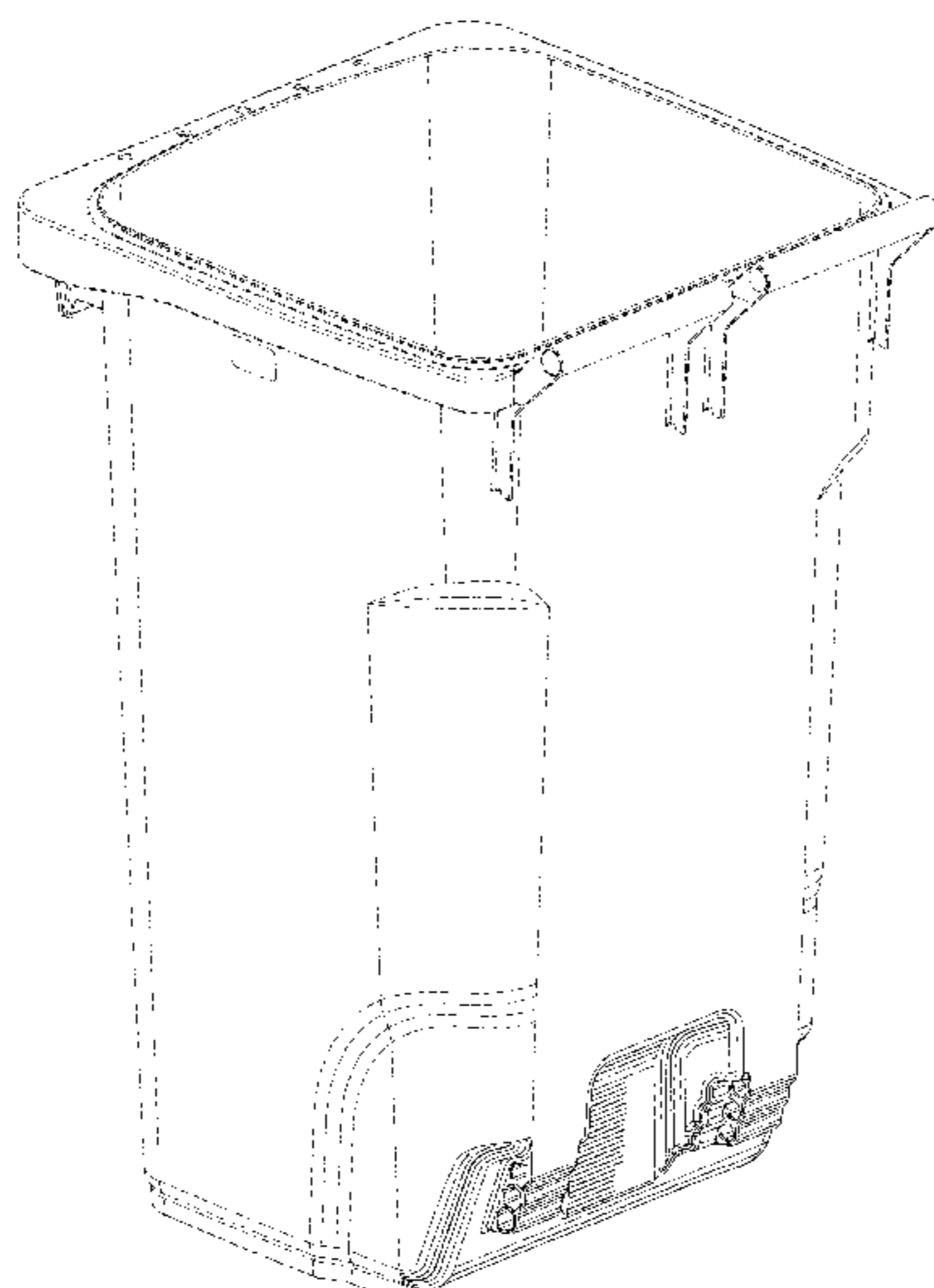
The ornamental design for a wheeled container, as shown and described.

DESCRIPTION

FIG. 1 is a perspective back view of a wheeled container showing the new design according to a first embodiment; FIG. 2 is a front view thereof; FIG. 3 is a top view thereof; FIG. 4 is a first side view thereof; FIG. 5 is a second side view thereof; FIG. 6 is a back view thereof; FIG. 7 is bottom view thereof; FIG. 8 is a perspective back view of a wheeled container showing the new design according to a second embodiment; FIG. 9 is a front view thereof; FIG. 10 is a top view thereof; FIG. 11 is a first side view thereof; FIG. 12 is a second side view thereof; FIG. 13 is a back view thereof; FIG. 14 is bottom view thereof; FIG. 15 is a perspective back view of a wheeled container showing the new design according to a third embodiment; FIG. 16 is a front view thereof; FIG. 17 is a top view thereof; FIG. 18 is a first side view thereof; FIG. 19 is a second side view thereof; FIG. 20 is a back view thereof; and, FIG. 21 is bottom view thereof.

The broken lines shown in the figures are included for the purpose of illustrating portions of the wheeled container that do not form part of the claimed design.

1 Claim, 21 Drawing Sheets



(56)

References Cited

U.S. PATENT DOCUMENTS

5,104,200 A 4/1992 Prout et al.
5,899,468 A 5/1999 Apps et al.
D532,173 S * 11/2006 Aiken D34/5
D796,765 S * 9/2017 Uffner D34/5
D826,506 S * 8/2018 Labrecque D34/10
D827,967 S * 9/2018 Foster D34/5
2003/0194303 A1 10/2003 Lunger
2006/0232029 A1 10/2006 Parker et al.
2008/0084035 A1 4/2008 Johnson et al.
2008/0093436 A1 4/2008 Bolhous
2008/0094224 A1 4/2008 Parker et al.
2012/0074663 A1 3/2012 Parker et al.
2013/0119625 A1 5/2013 Foster
2013/0334782 A1 12/2013 Trent, III et al.
2014/0217688 A1 8/2014 Miller et al.

FOREIGN PATENT DOCUMENTS

WO 9843835 A1 10/1998
WO 200350017 A1 6/2003

* cited by examiner

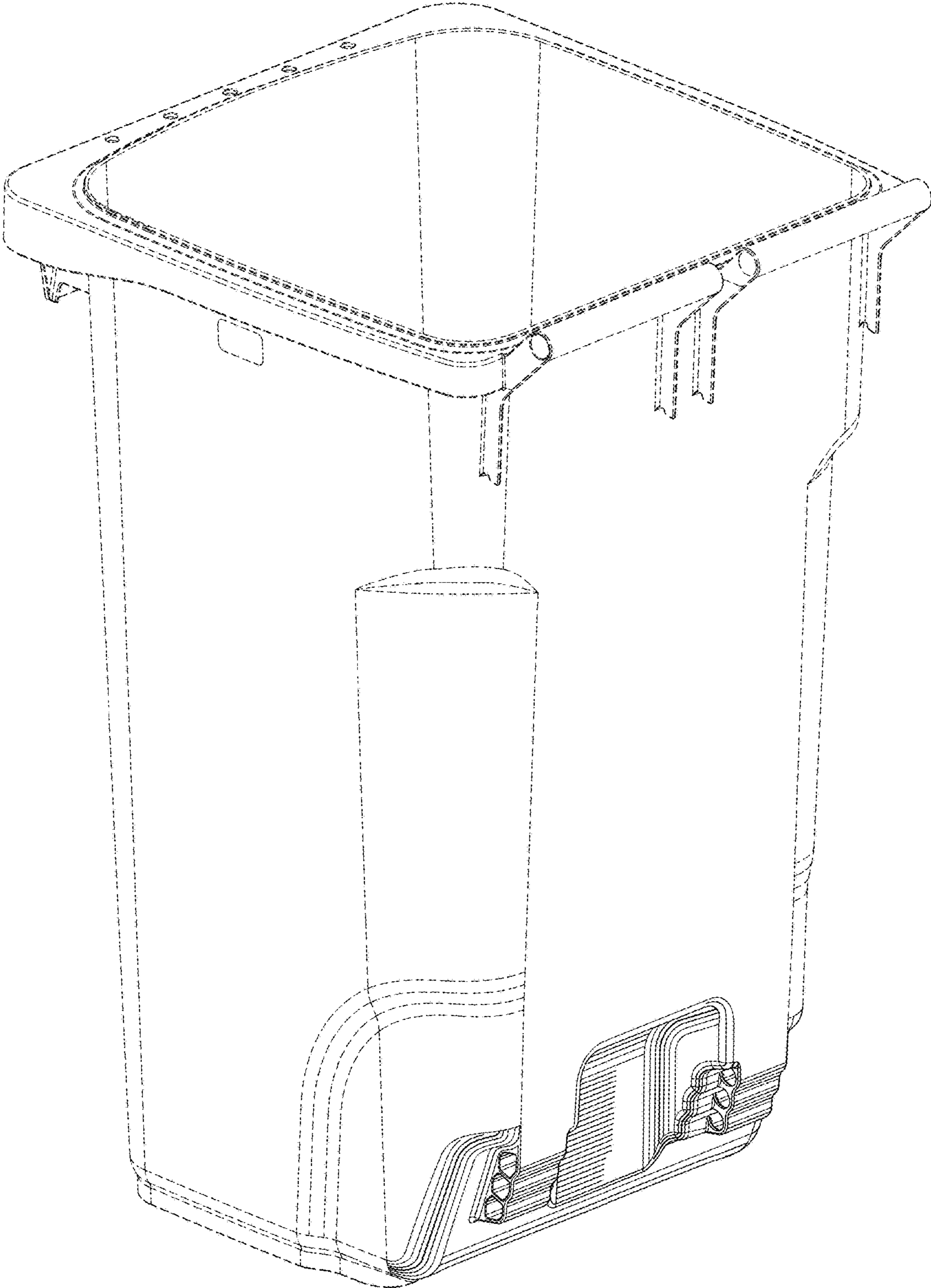


FIG. 1

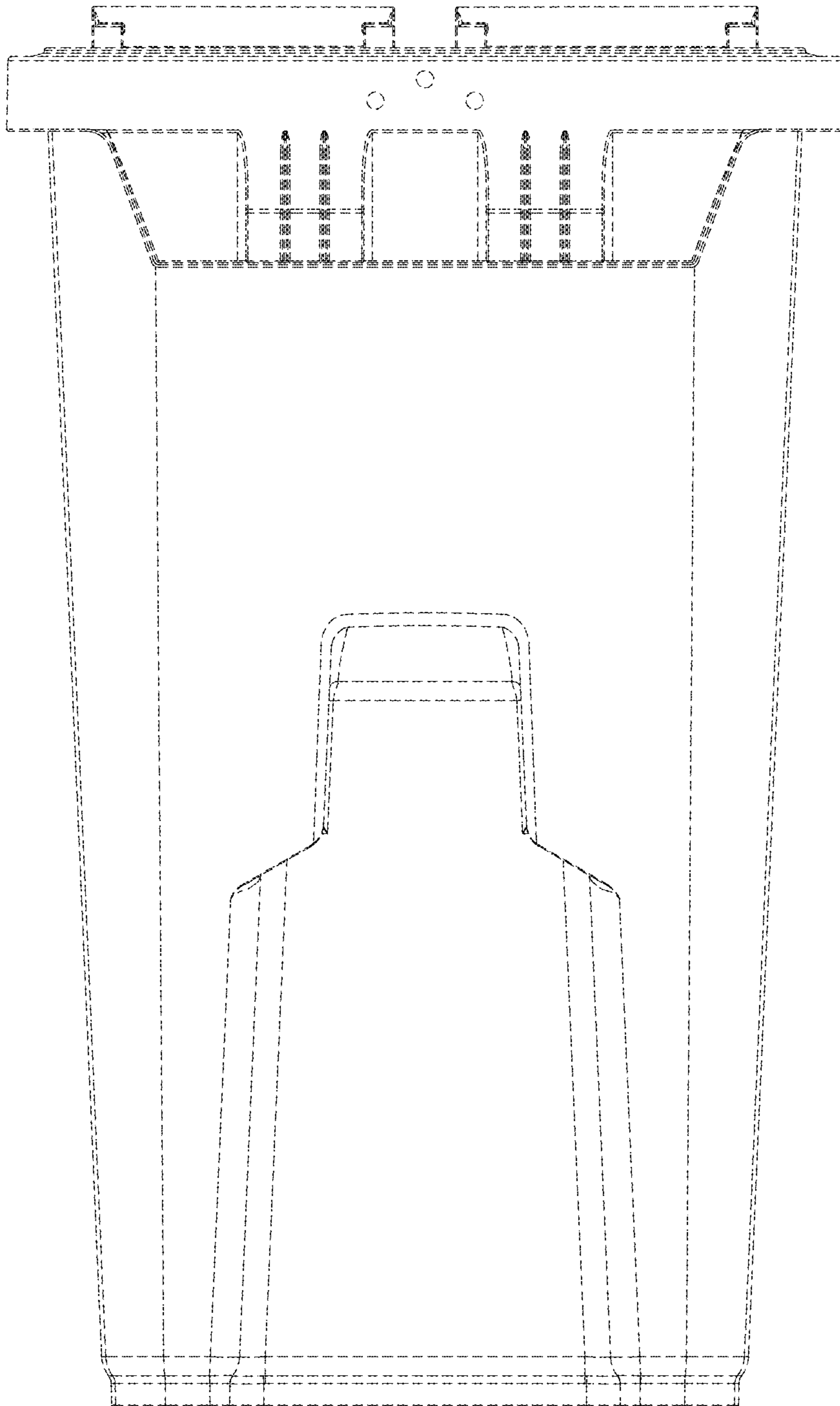


FIG. 2

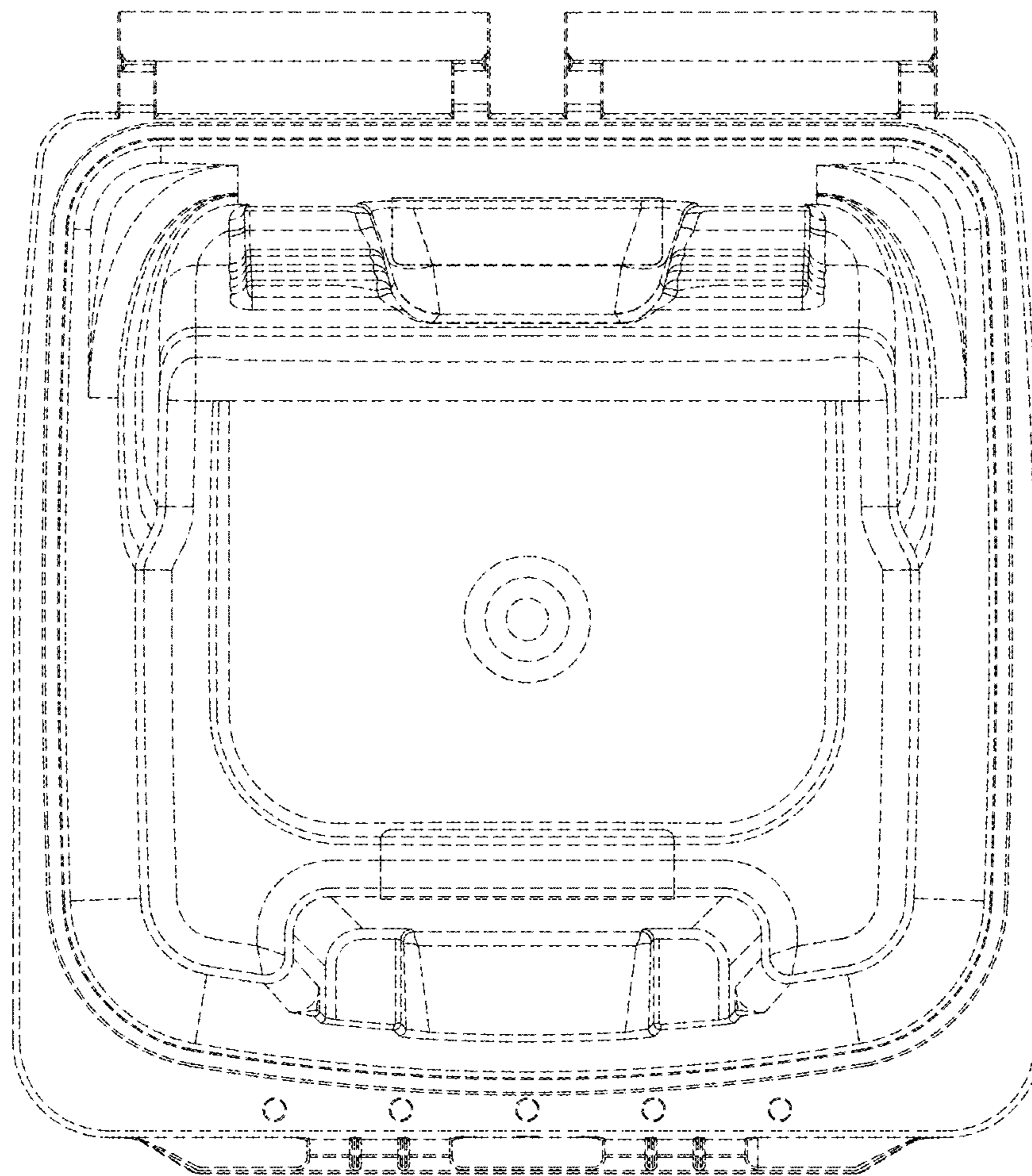


Fig. 3

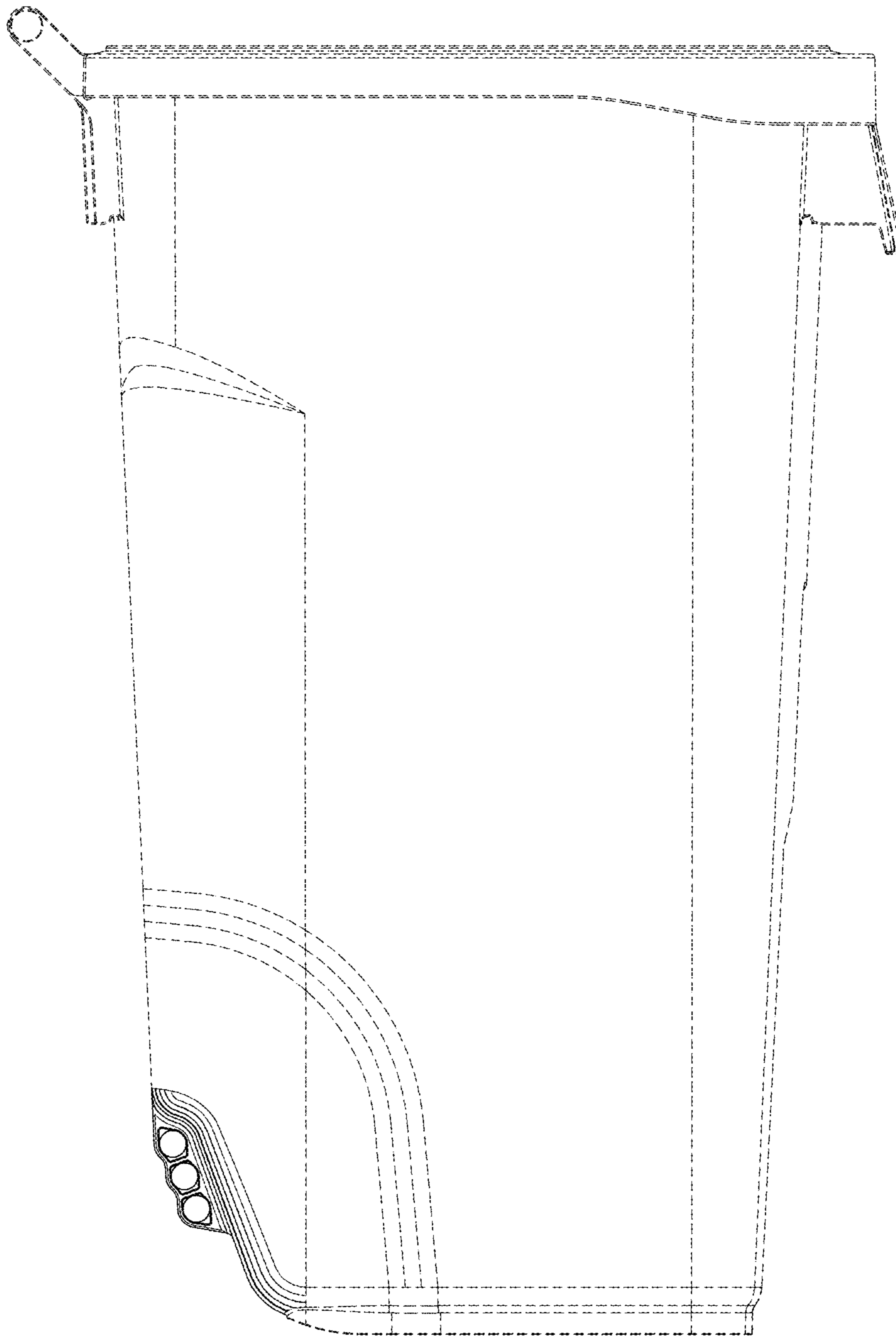


FIG. 4

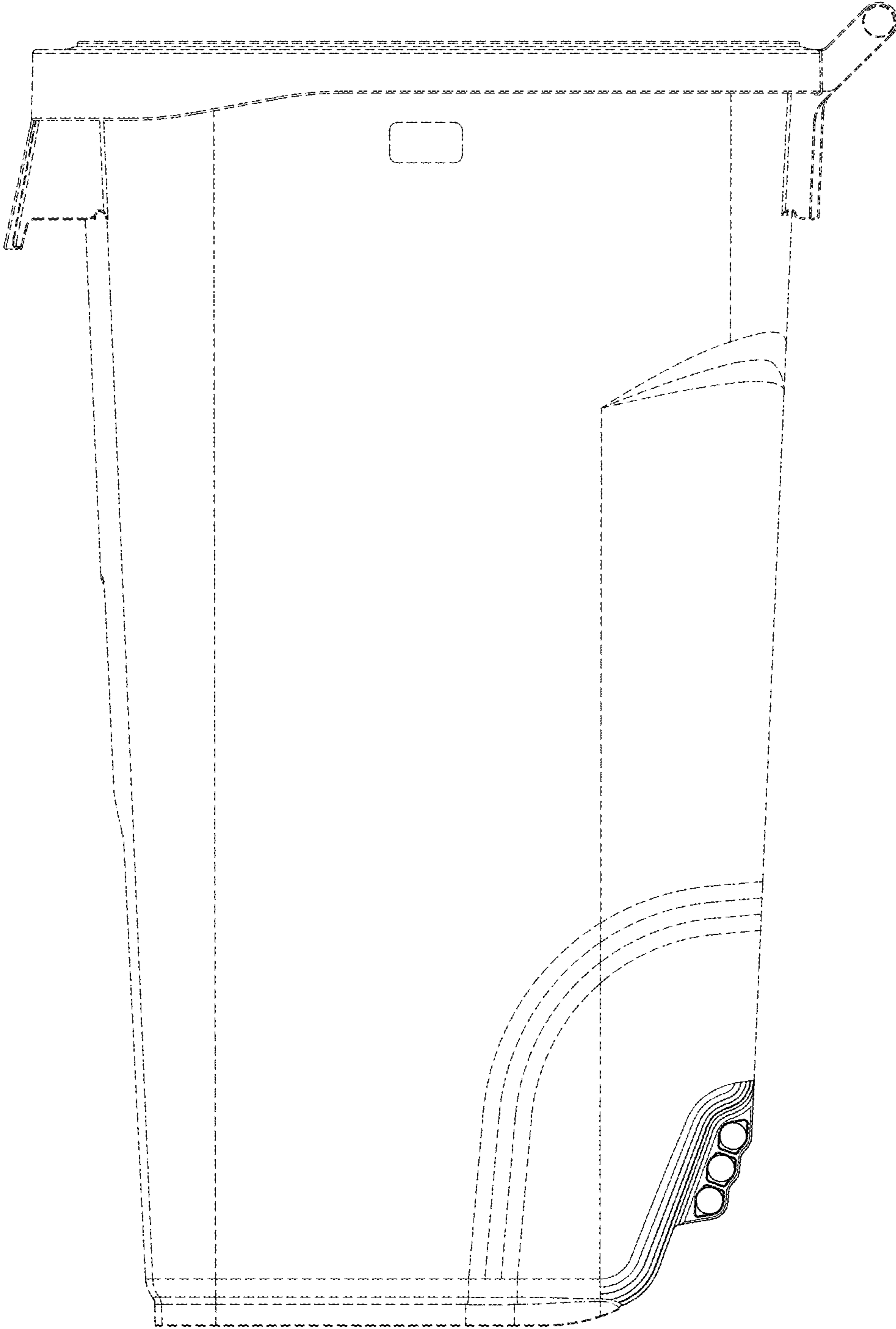


FIG. 5

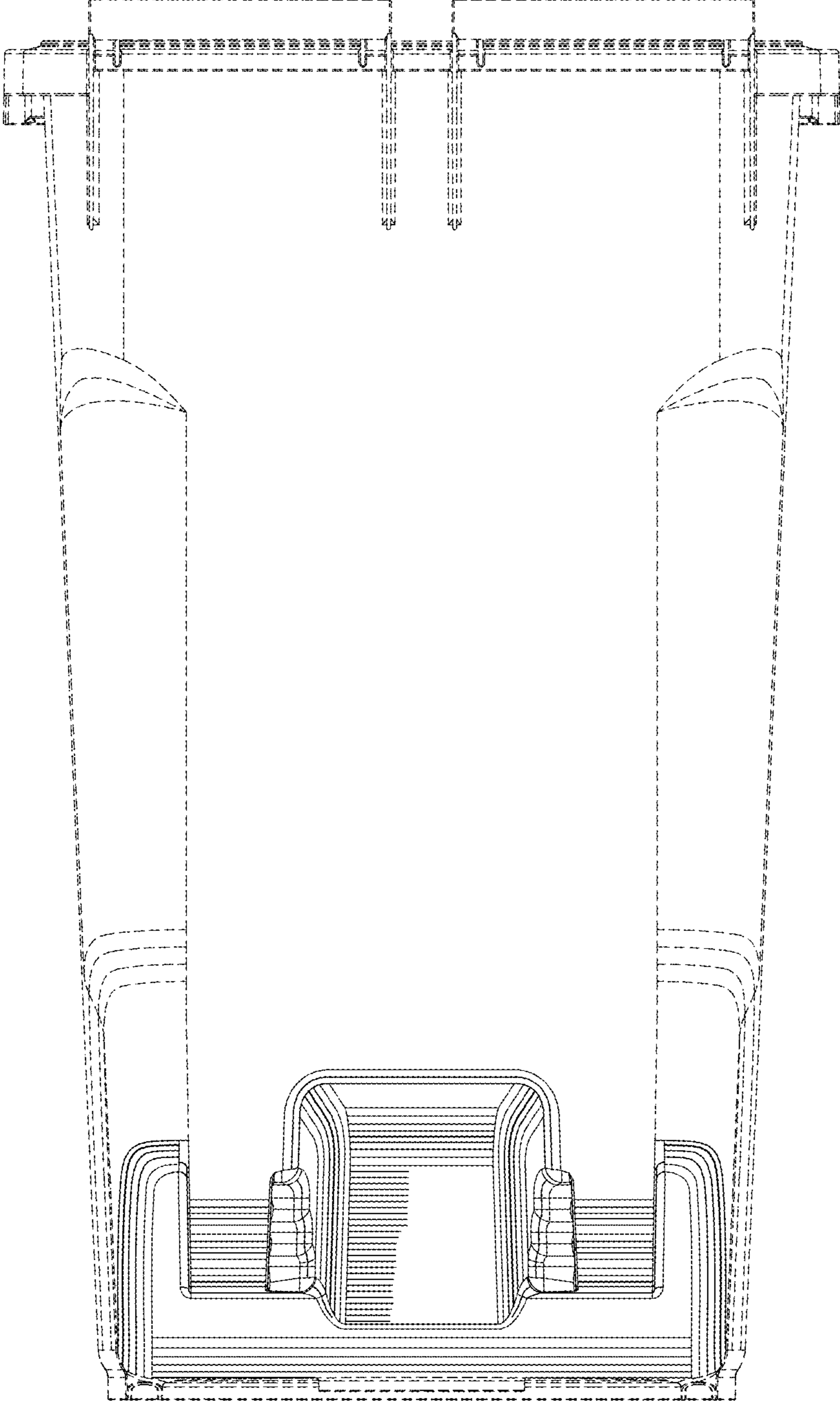


FIG. 6

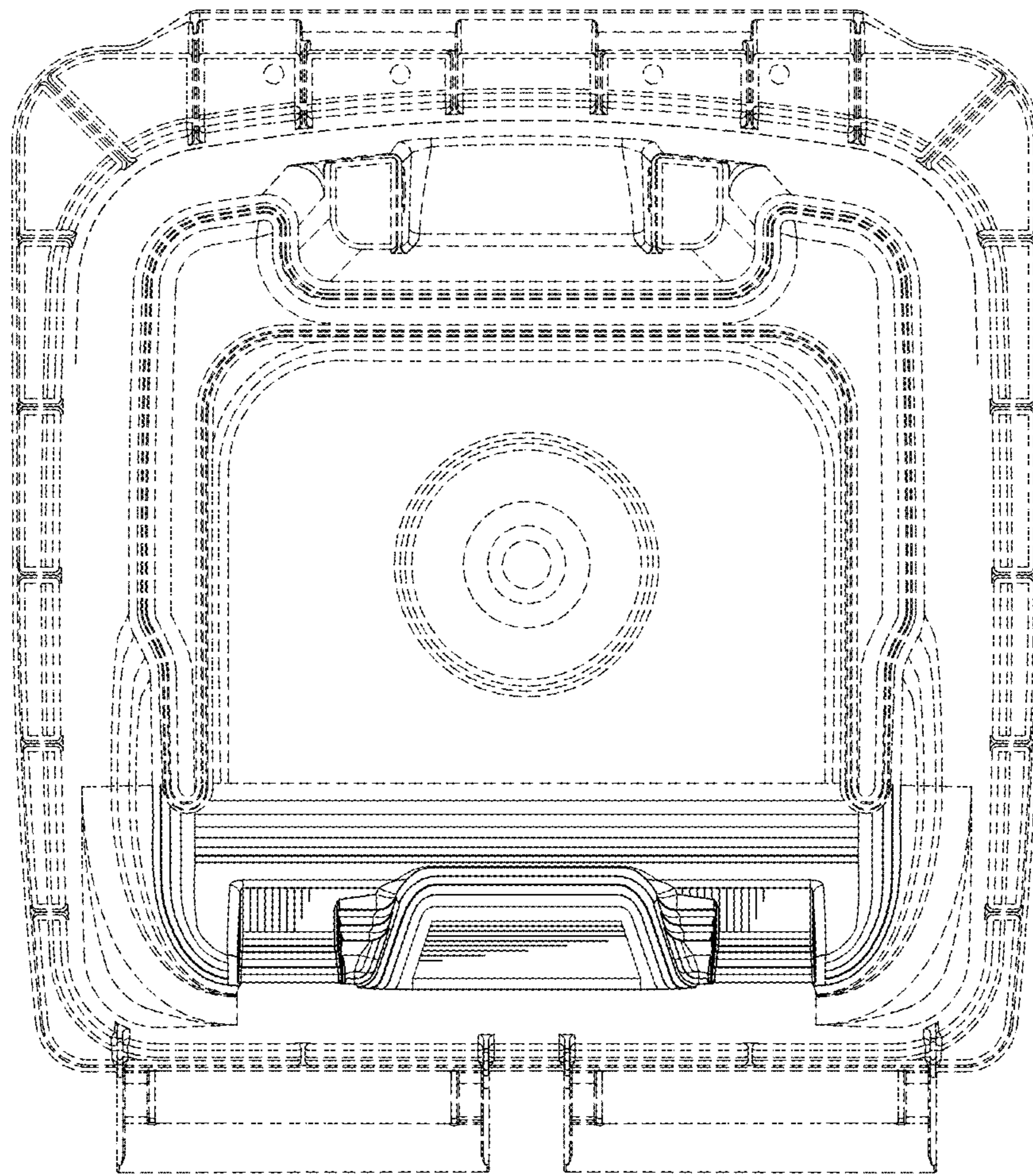


FIG. 7

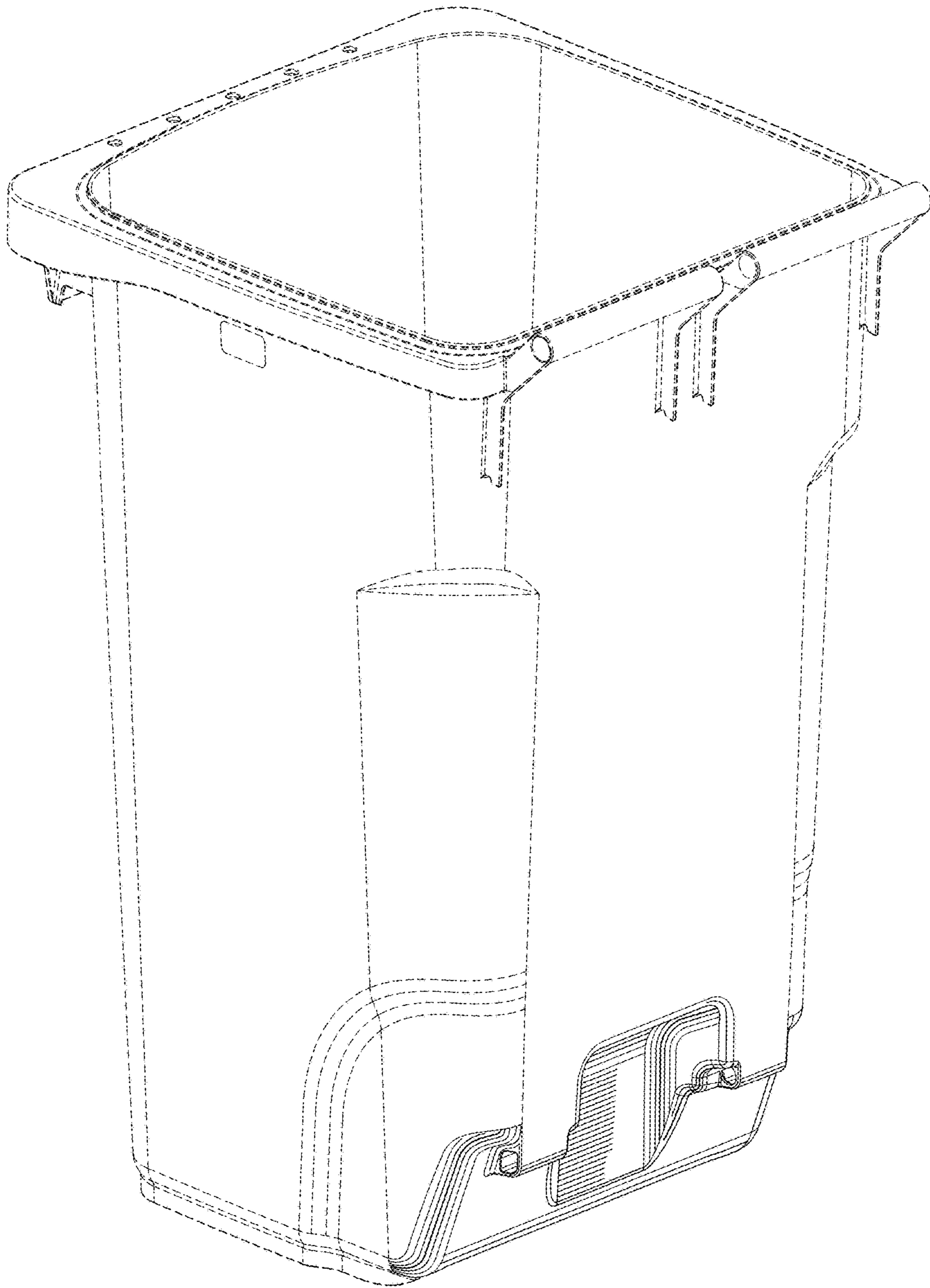


FIG. 8

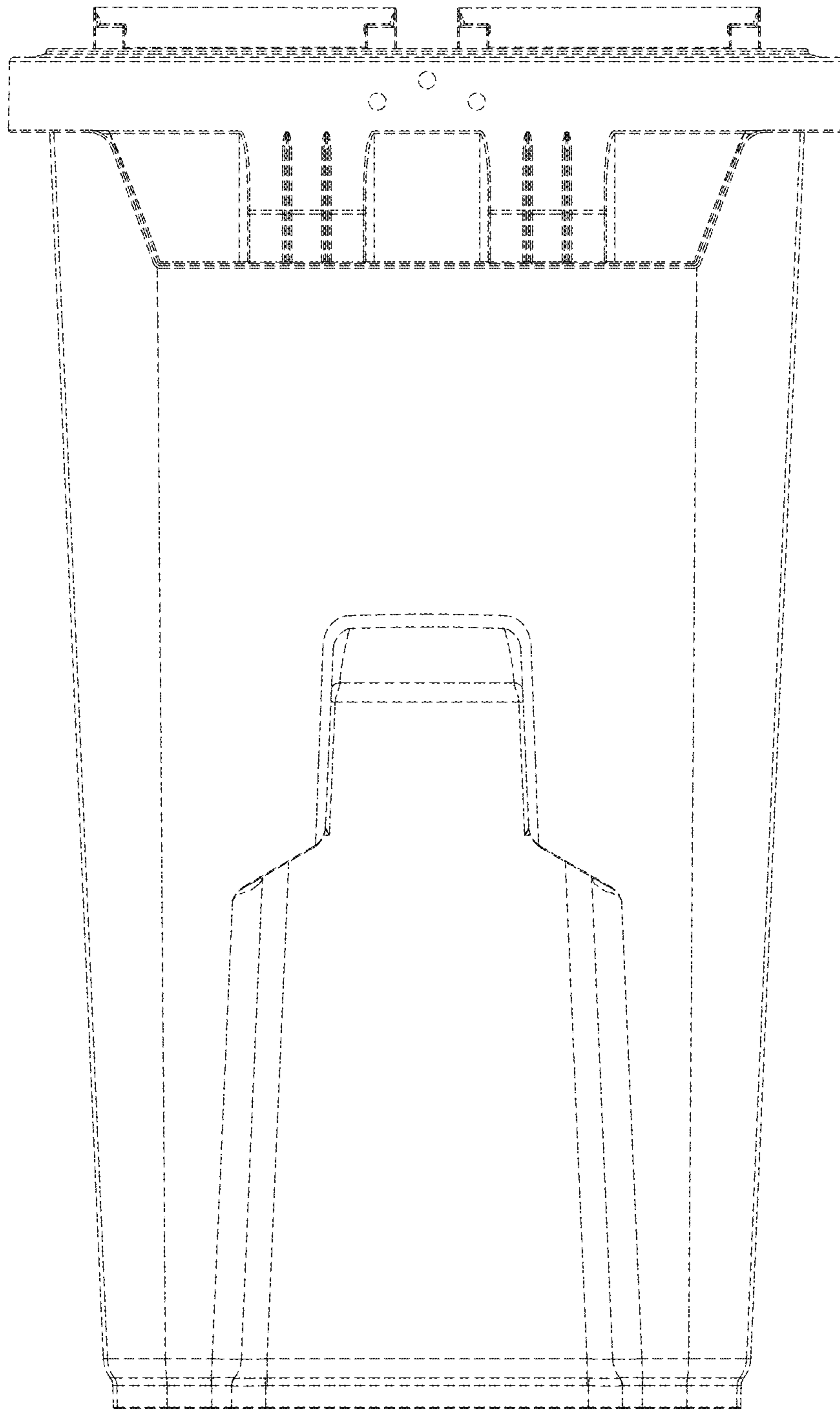


FIG. 9

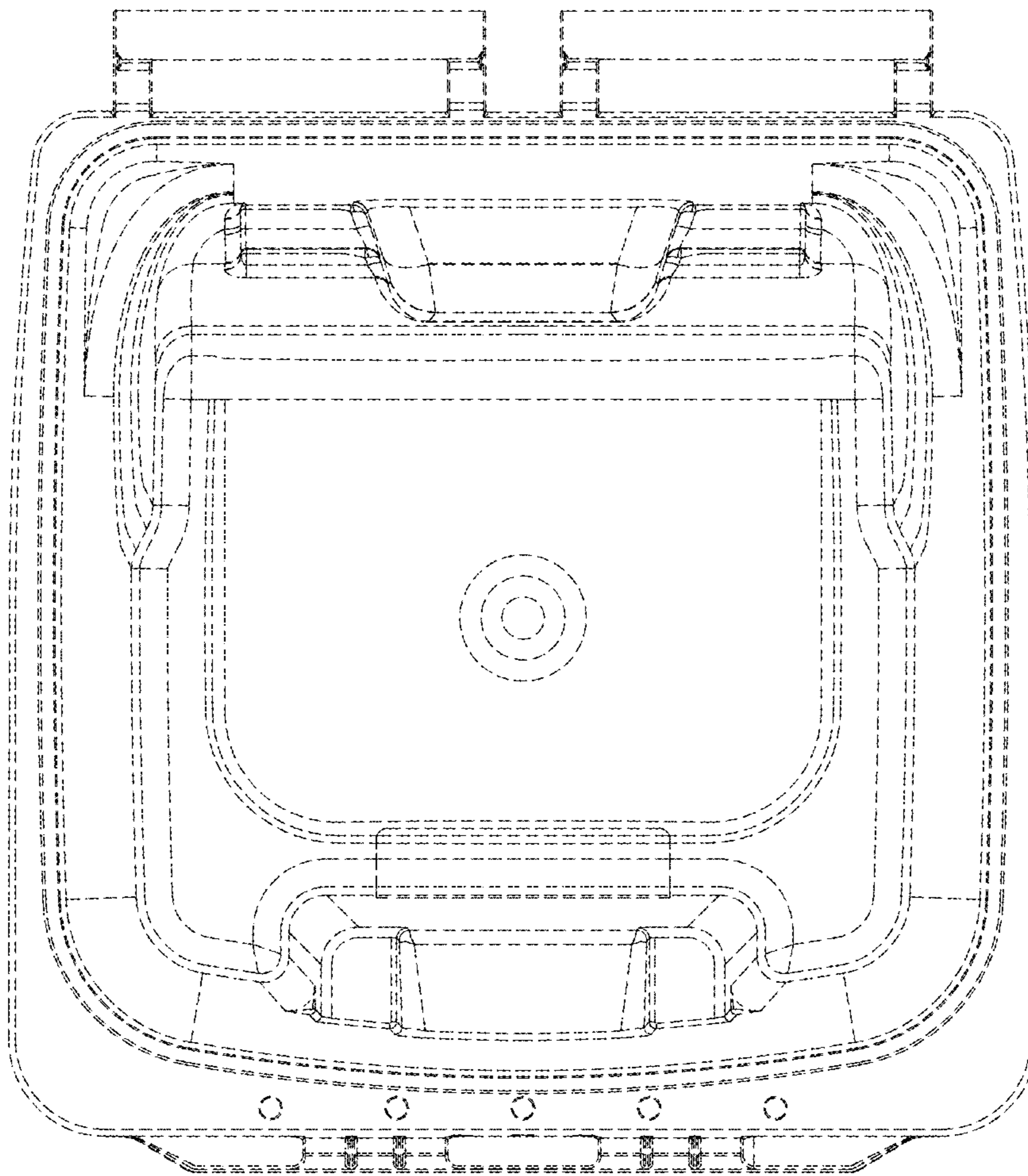


FIG. 10

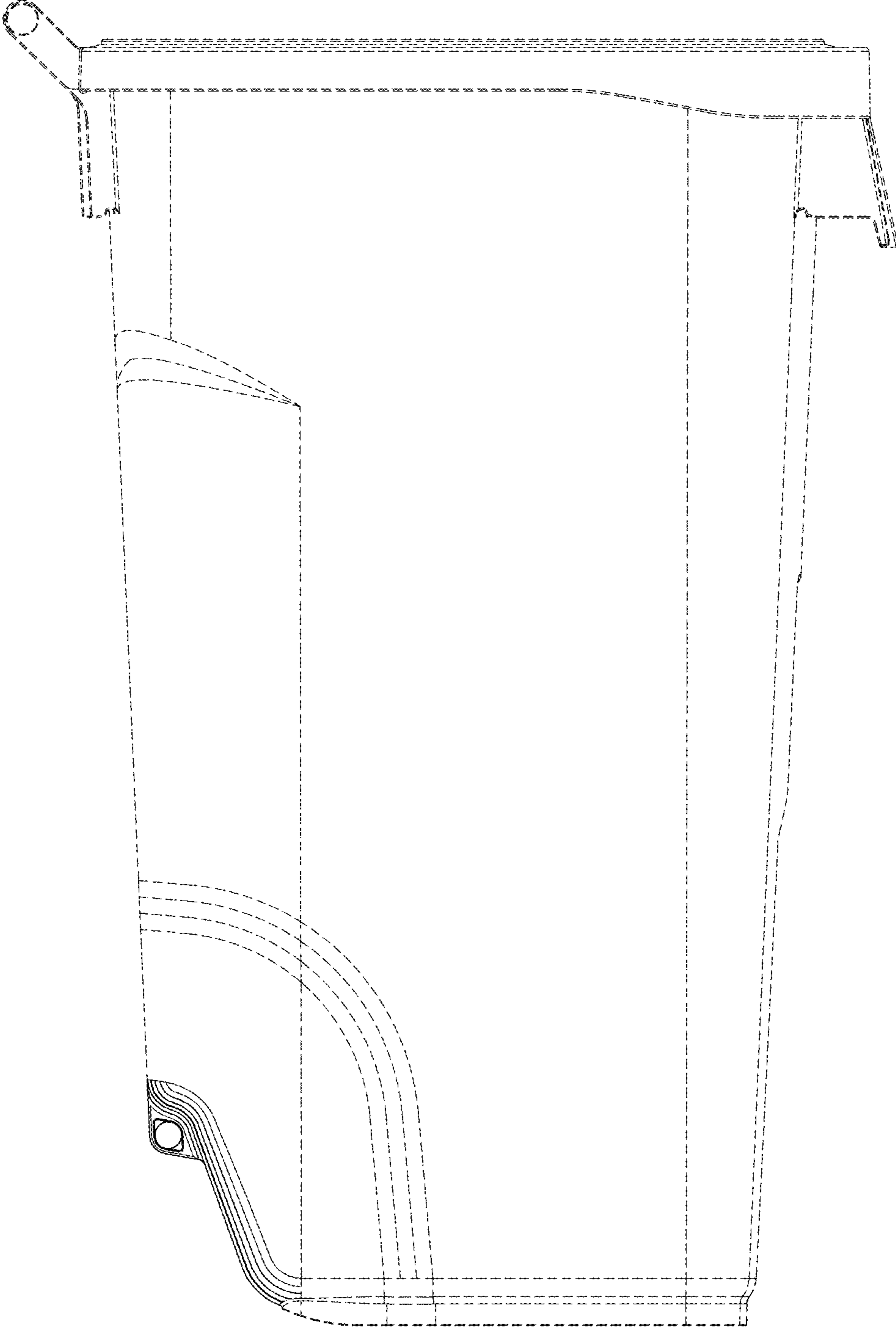


FIG. 11

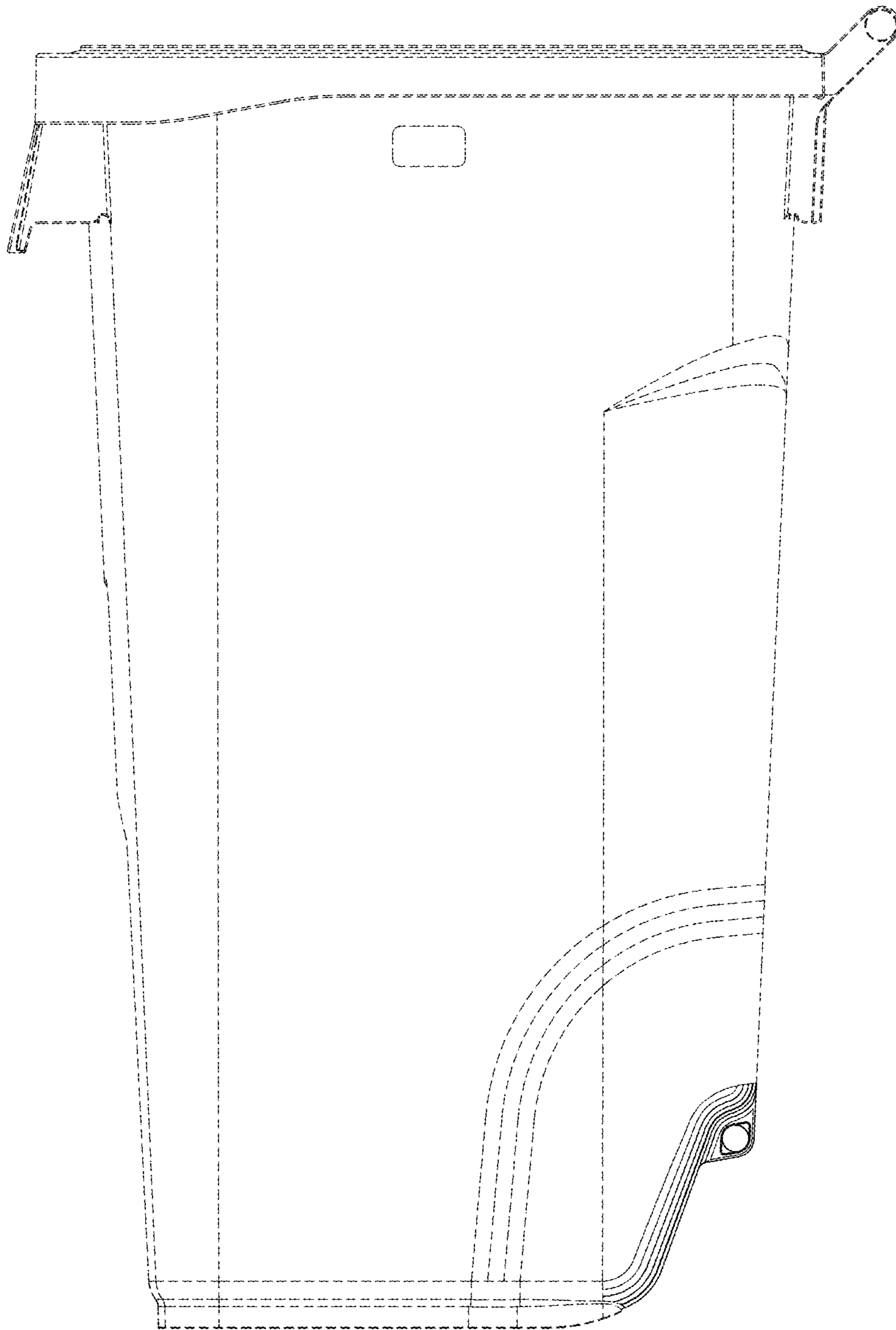


FIG. 12

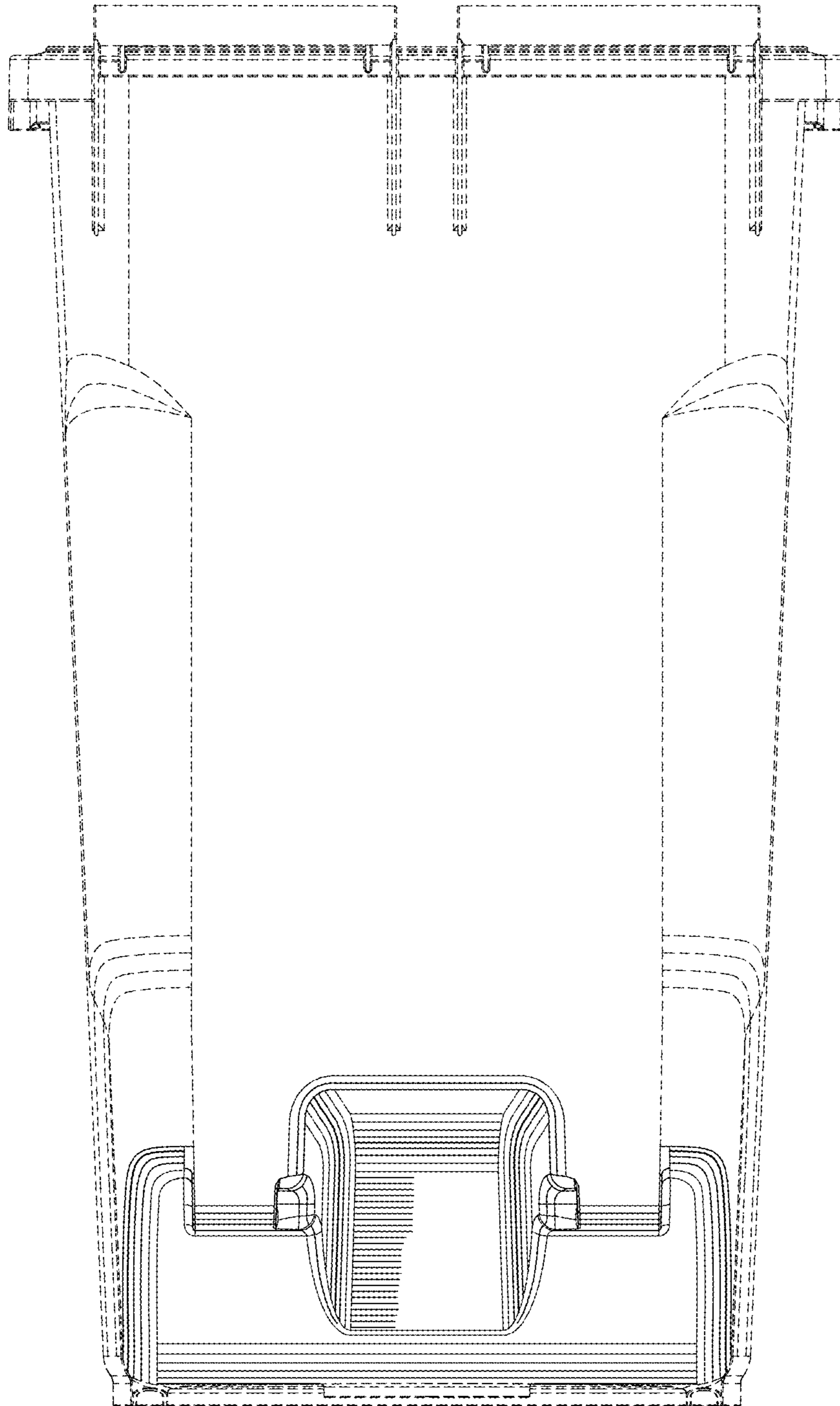


FIG. 13

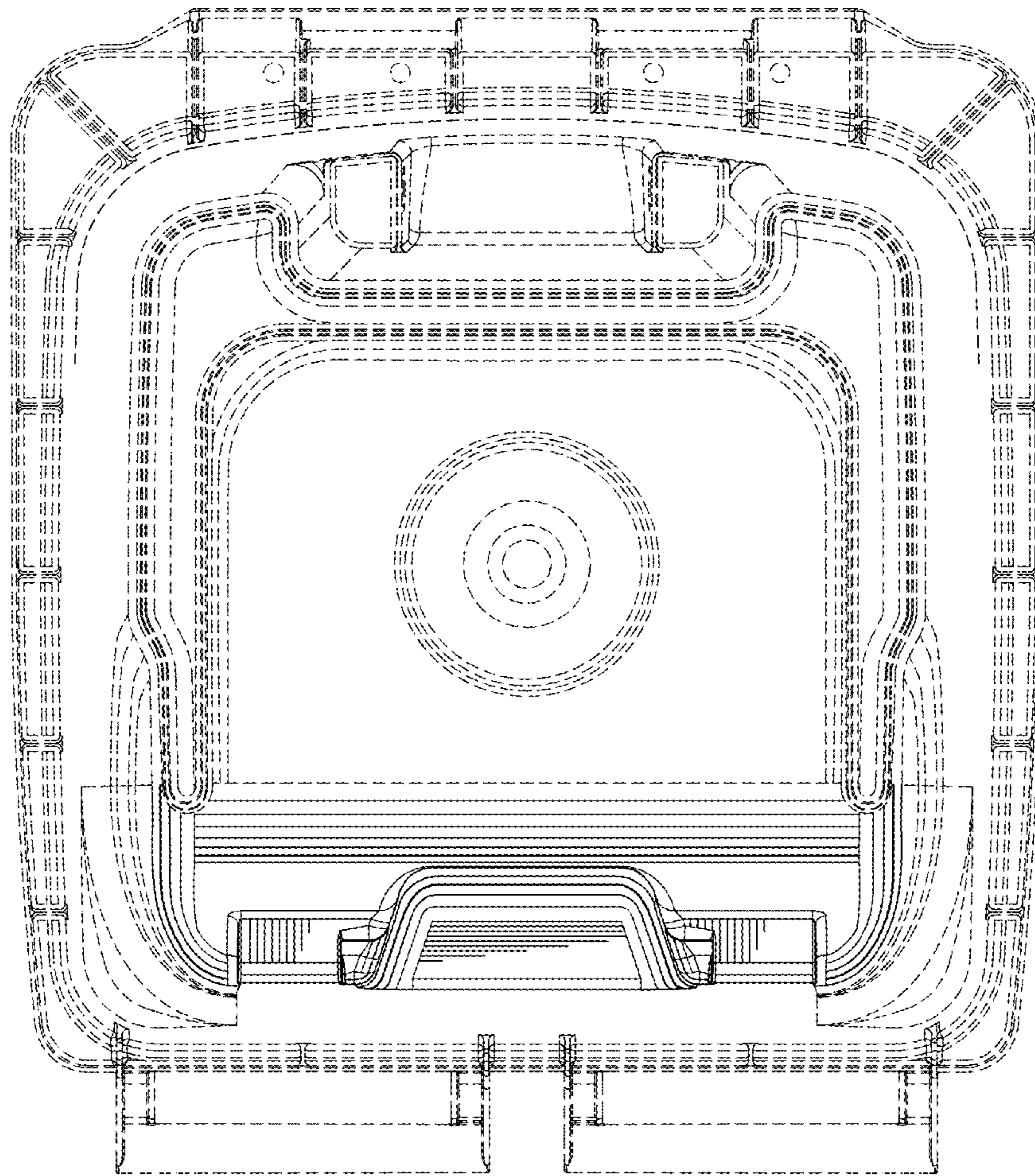


FIG. 14

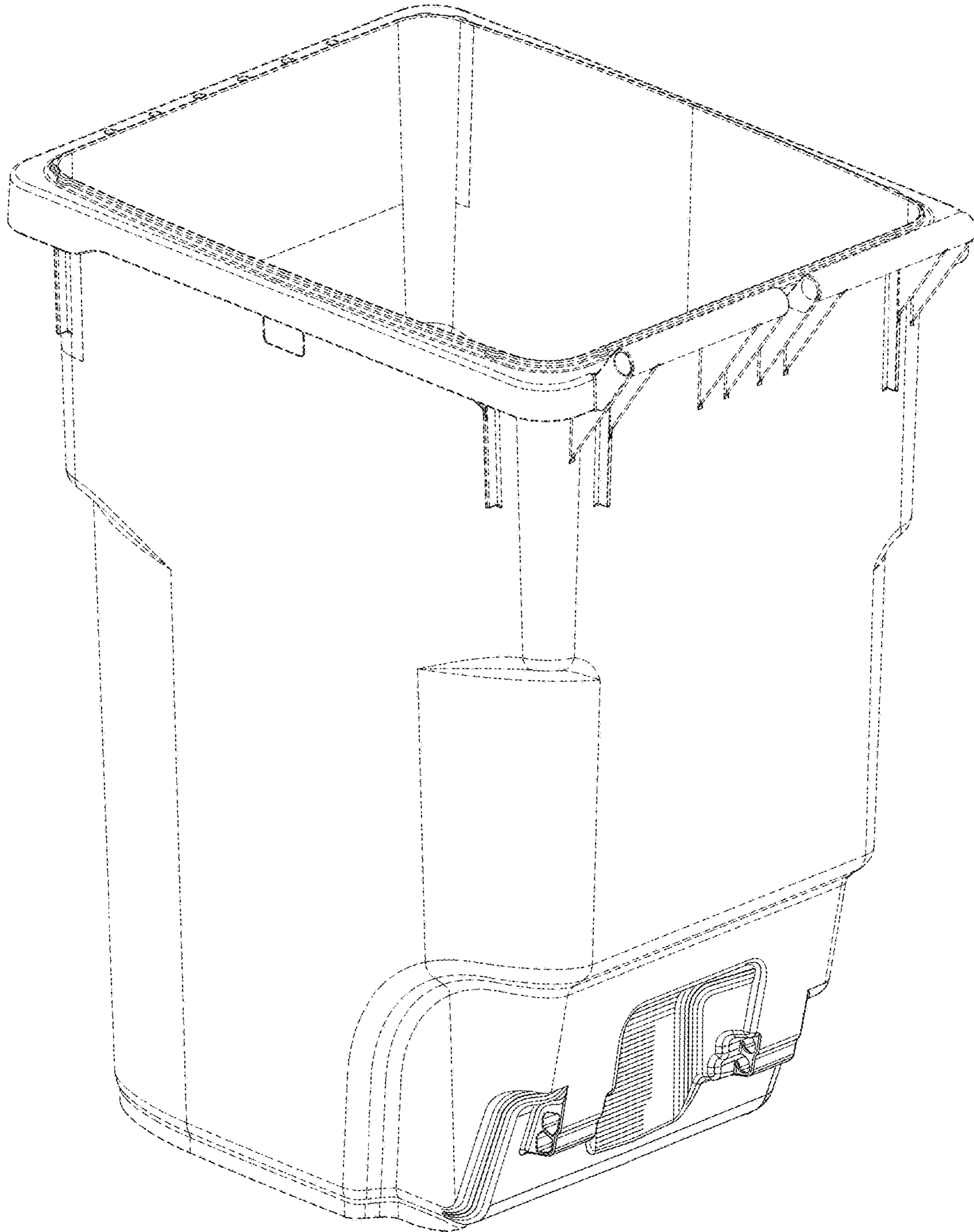


FIG. 15

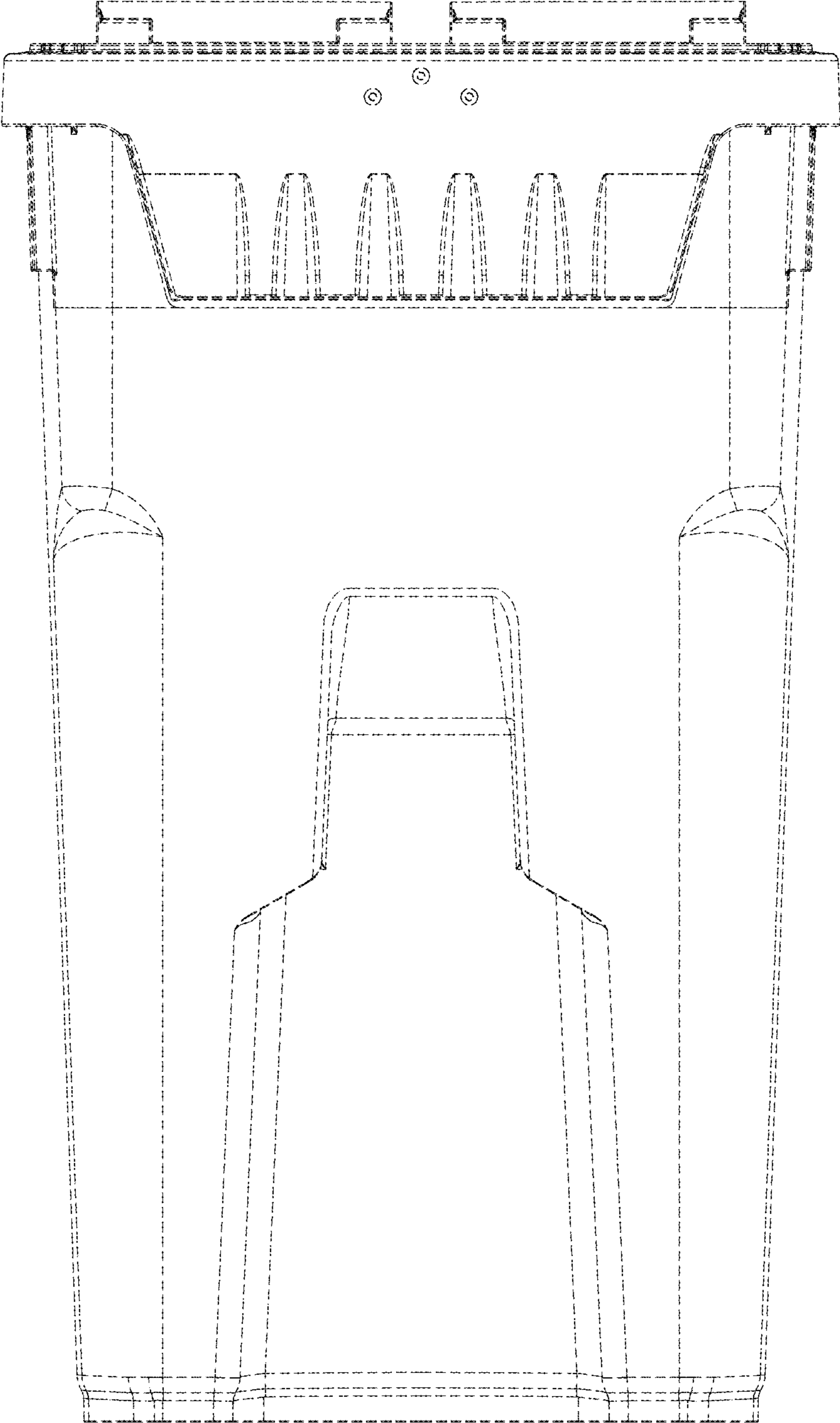


FIG. 16

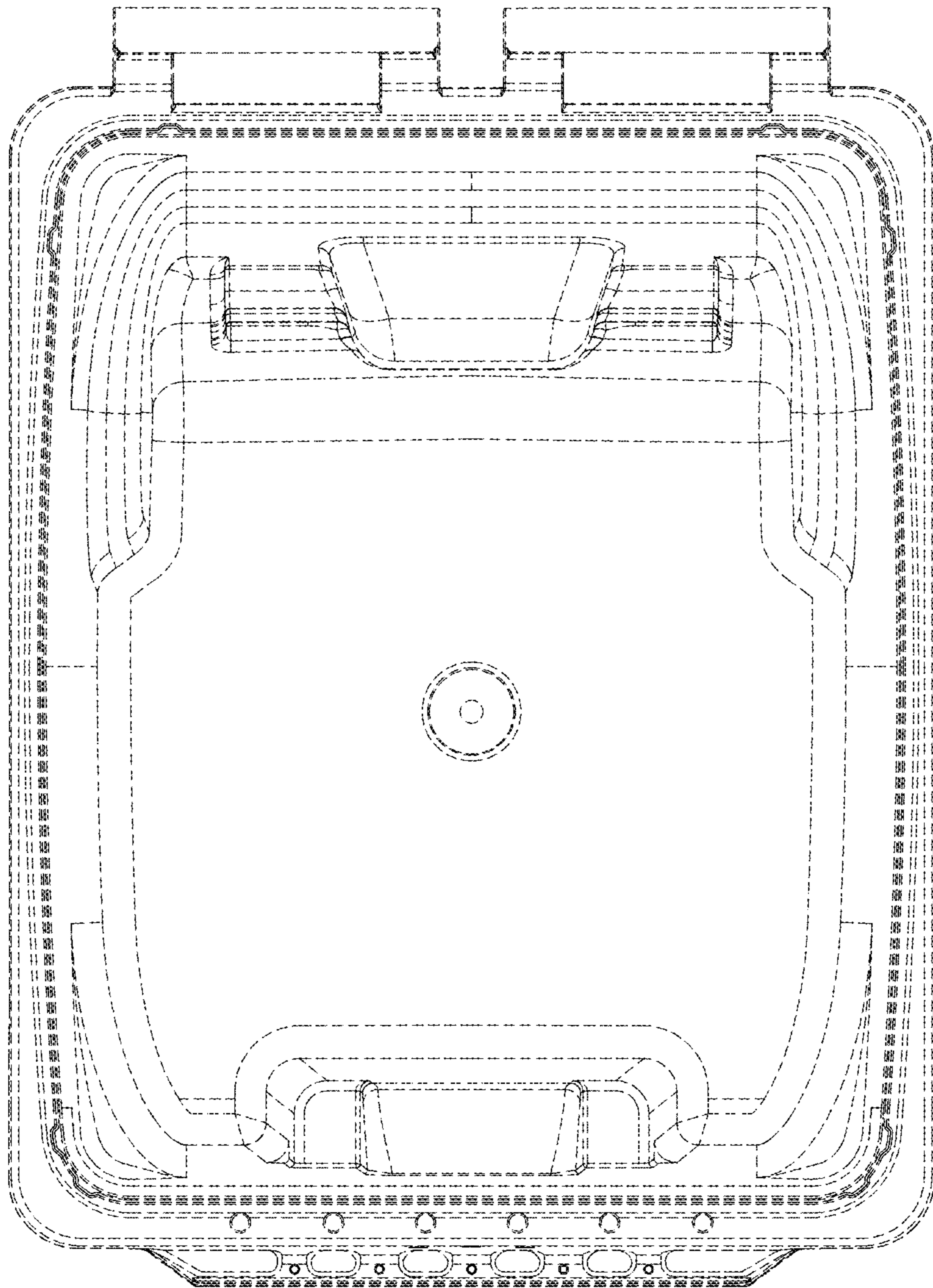


FIG. 17

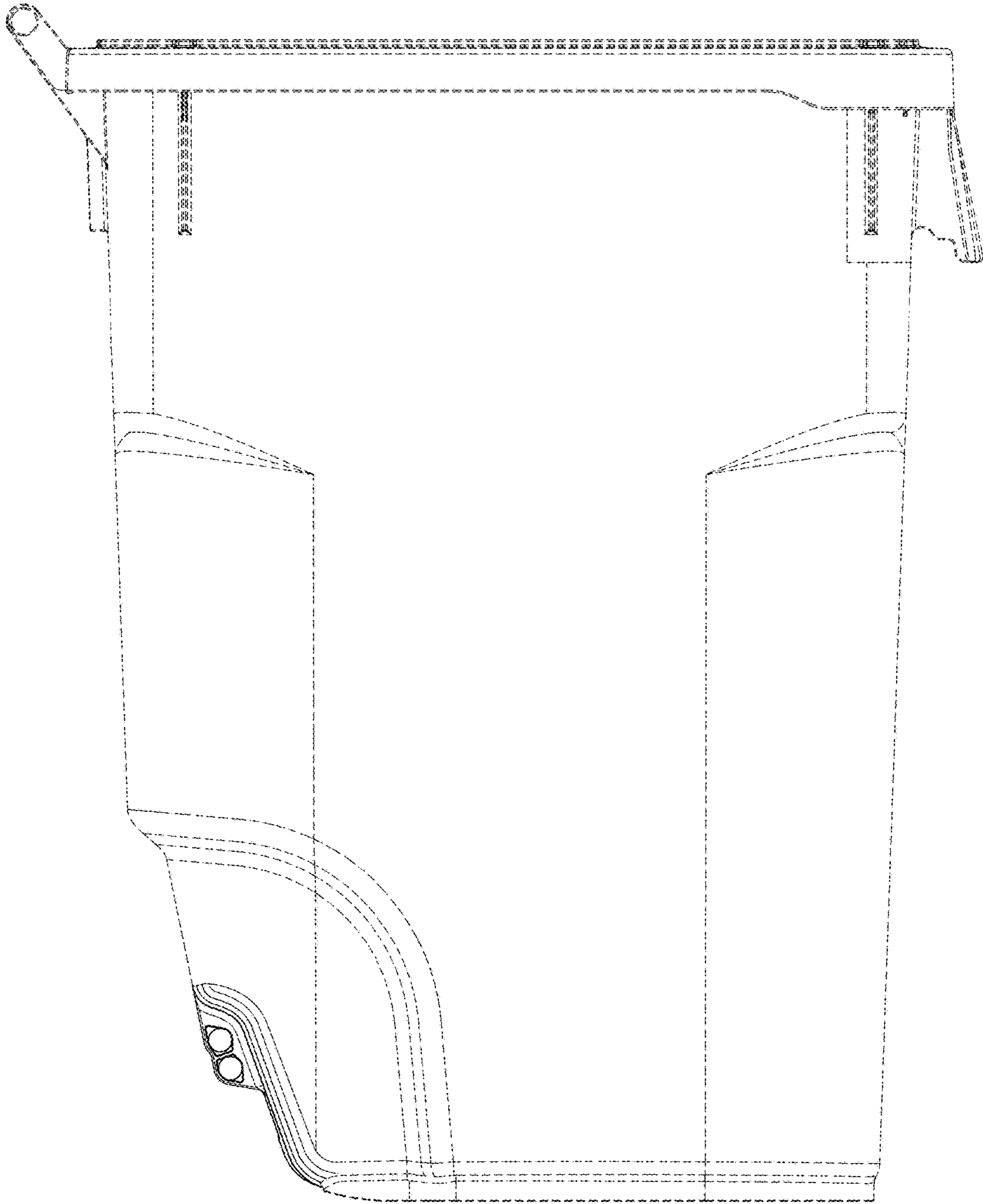


FIG. 18

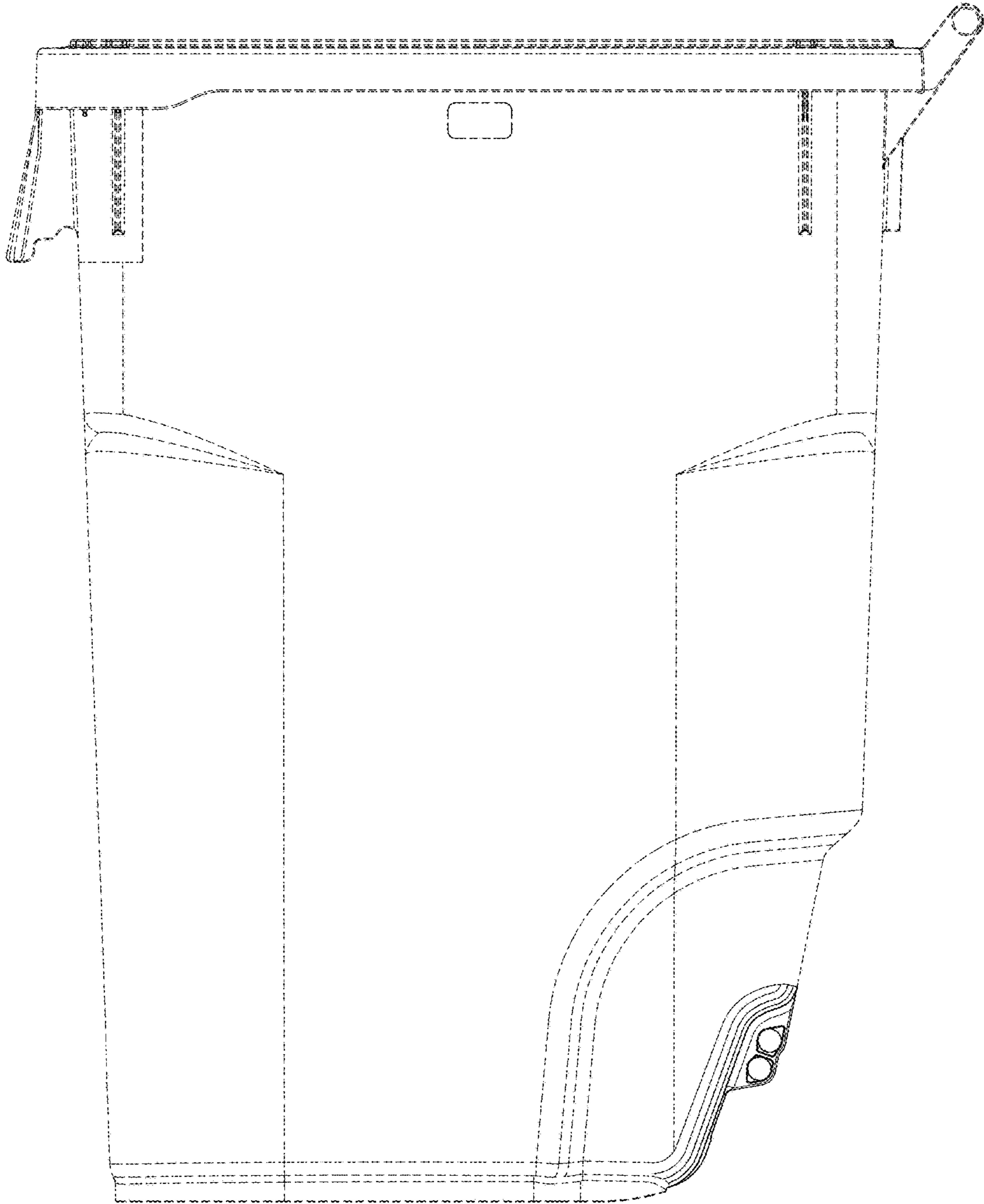


FIG. 19

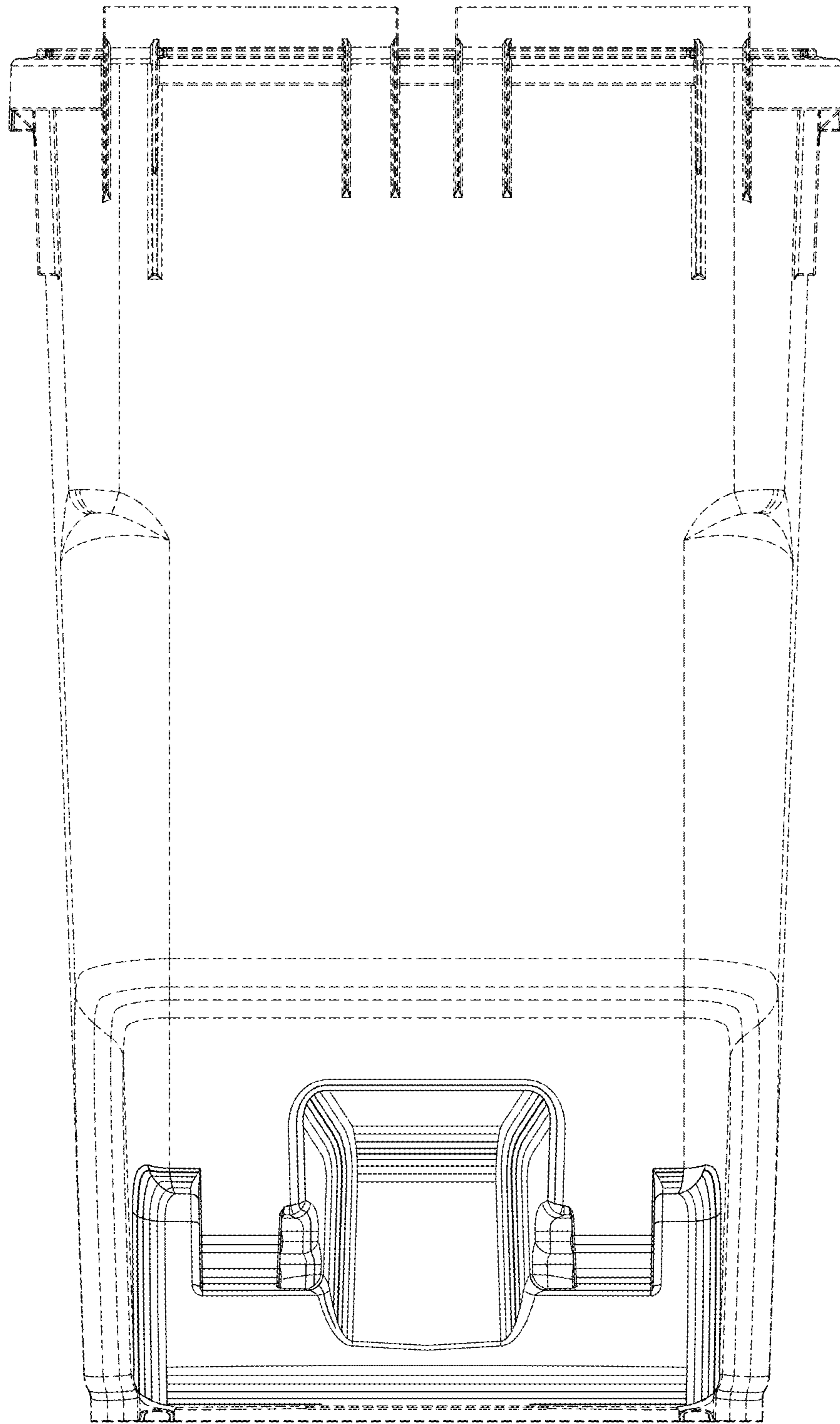


FIG. 20

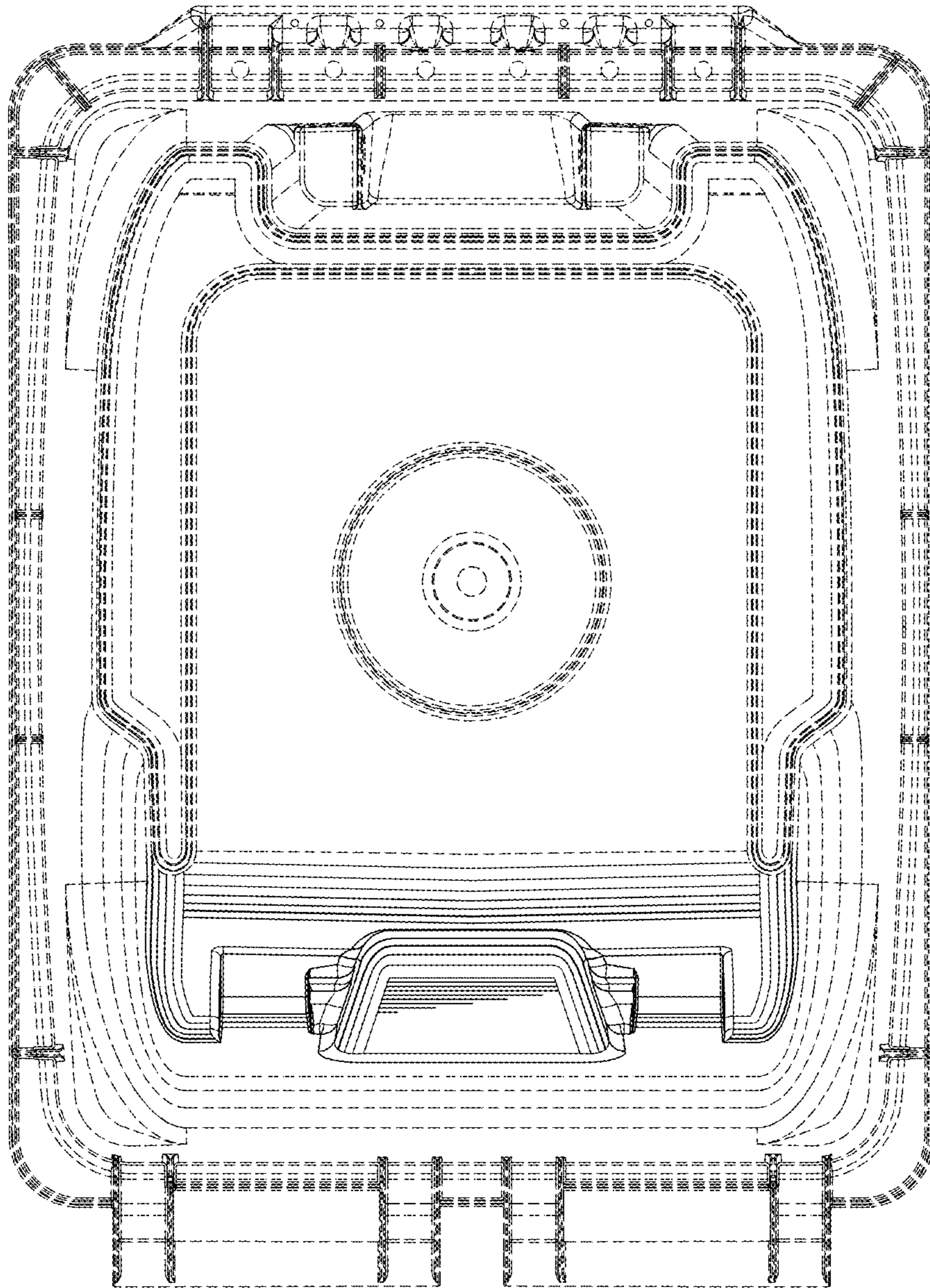


FIG. 21