



US00D832546S

(12) **United States Design Patent** (10) **Patent No.:** **US D832,546 S**
Rus (45) **Date of Patent:** **** Oct. 30, 2018**

(54) **PAINT CAN INSERT**
(71) Applicant: **Garland Industries, Inc.**, Cleveland, OH (US)

D379,320 S 5/1997 Campilan
5,752,619 A 5/1998 Fulton
D438,680 S * 3/2001 Cogdill D32/53
6,213,338 B1 4/2001 Cogdill
6,250,518 B1 6/2001 Thirkettle
(Continued)

(72) Inventor: **Melissa Rus**, Cleveland, OH (US)

FOREIGN PATENT DOCUMENTS

(73) Assignee: **Garland Industries, Inc.**, Cleveland, OH (US)

CA 2219623 4/1999
FR 2564754 11/1985
(Continued)

(**) Term: **15 Years**

Primary Examiner — Robin V Webster
(74) *Attorney, Agent, or Firm* — Fay Sharpe LLP

(21) Appl. No.: **29/604,207**

(22) Filed: **May 16, 2017**

(51) **LOC (11) Cl.** **07-07**

(52) **U.S. Cl.**
USPC **D32/54**

(58) **Field of Classification Search**
USPC D32/53, 53.1, 54
See application file for complete search history.

(57) **CLAIM**

The ornamental design for a paint can insert, as shown and described.

(56) **References Cited**

DESCRIPTION

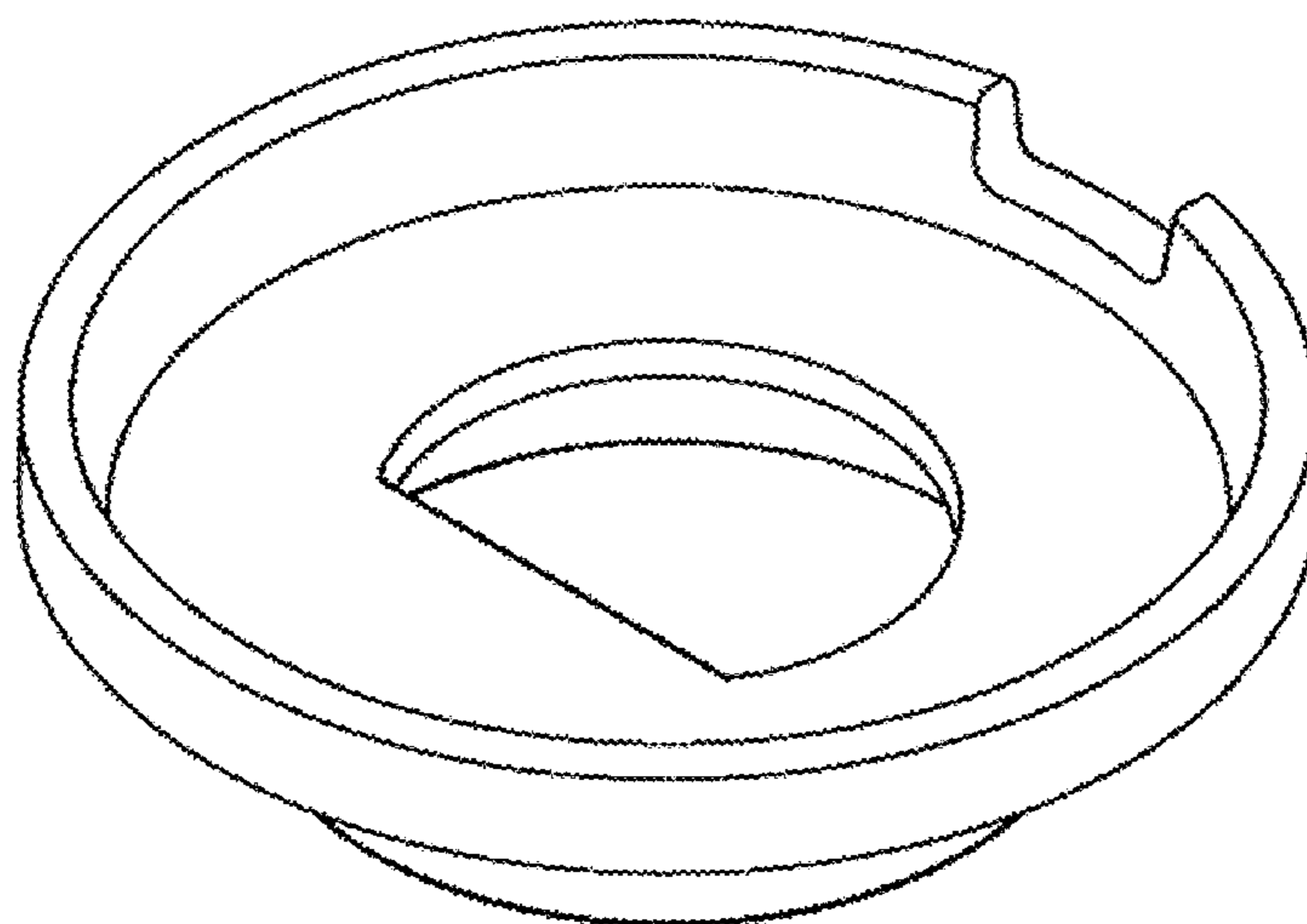
U.S. PATENT DOCUMENTS

2,180,581 A 11/1939 Eisenberg
2,591,482 A 1/1952 Wetlich
2,945,611 A 9/1958 Weiffenback
2,941,692 A 6/1960 Kappel
3,727,792 A * 4/1973 Levin B44D 3/128
220/695
3,811,606 A * 5/1974 Higgins B44D 3/128
222/570
D245,672 S 9/1977 Grantham
4,203,537 A 5/1980 McAlister
4,225,064 A 9/1980 Westcott
4,583,666 A 4/1986 Buck
4,969,579 A 11/1990 Harvey
D321,325 S 11/1991 Petrus
D342,592 S 12/1993 Lindsay
D345,833 S 4/1994 Truran
D353,243 S * 12/1994 Millard D32/54

FIG. 1 is a front plan view of the paint can insert showing my new design;
FIG. 2 is a side plan view of the paint can insert of FIG. 1;
FIG. 3 is a top plan view of the paint can insert of FIG. 1;
FIG. 4 is a top perspective view of the paint can insert of FIG. 1.
FIG. 5 is a bottom perspective view of the paint can insert of FIG. 1.
FIG. 6 is a bottom plan view of the paint can insert of FIG. 1; and,
FIG. 7 is an opposite side view of the paint can insert of FIG. 1.

The broken lines are included for the purpose of illustrating non-claimed subject matter and form no part of the claimed design.

1 Claim, 7 Drawing Sheets



(56)

References Cited

U.S. PATENT DOCUMENTS

6,332,556	B1 *	12/2001	Shalman	B44D 3/126 220/570
D457,700	S *	5/2002	Acord	D32/54
D473,790	S	4/2003	Nottingham et al.	
D475,826	S *	6/2003	Mowe	D32/54
D476,787	S	7/2003	Templeton	
6,681,952	B2	1/2004	Mowe	
D489,261	S	5/2004	Doelling	
D489,611	S	5/2004	Monsanty	
9,145,025	B2 *	9/2015	Nazlian	B44D 3/006
D771,341	S	11/2016	Kobasky	
9,527,338	B1 *	12/2016	Kalb	B65D 25/20
9,630,446	B1	4/2017	Kobasky	
D798,014	S *	9/2017	Kobasky	D32/54
2003/0121925	A1	7/2003	Mowe	
2010/0116834	A1	5/2010	Sulick, Jr.	
2010/0187135	A1	7/2010	Broering et al.	

FOREIGN PATENT DOCUMENTS

FR	2724134	3/1996
GB	2349132	10/2000
GB	2388359	11/2003
GB	2410017	12/2006
WO	2002047921	6/2002

* cited by examiner

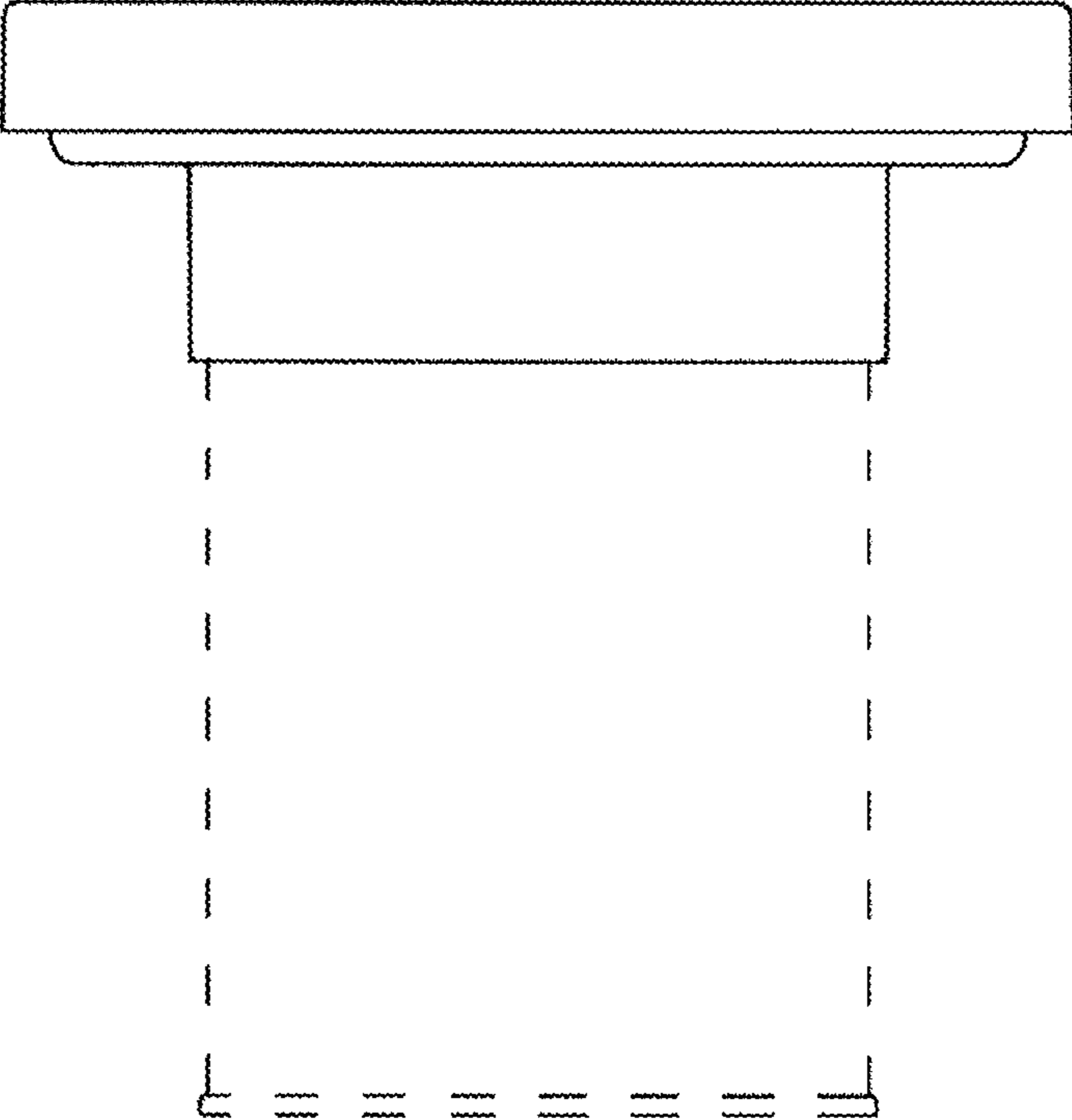


FIG. 1

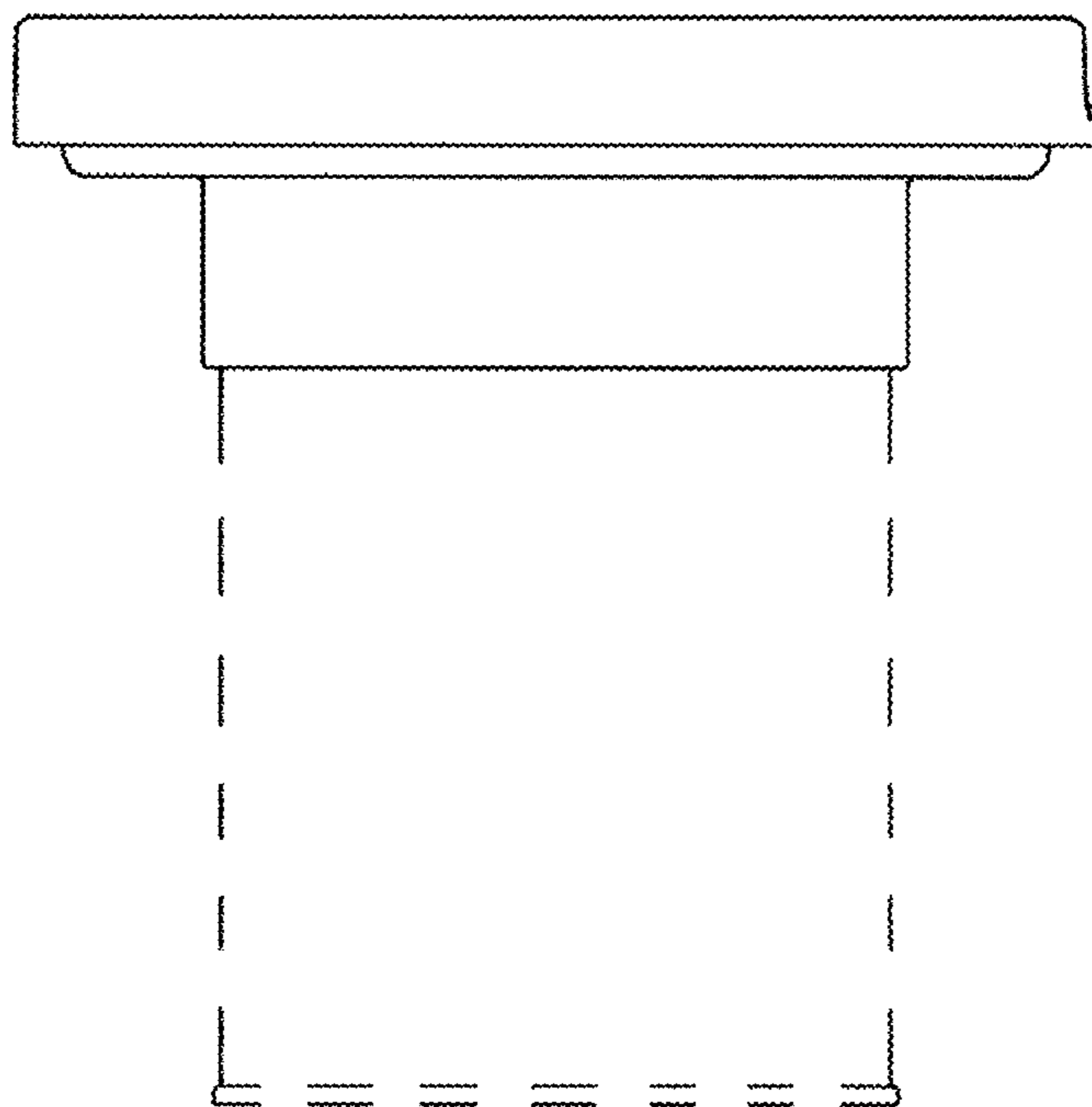


FIG. 2

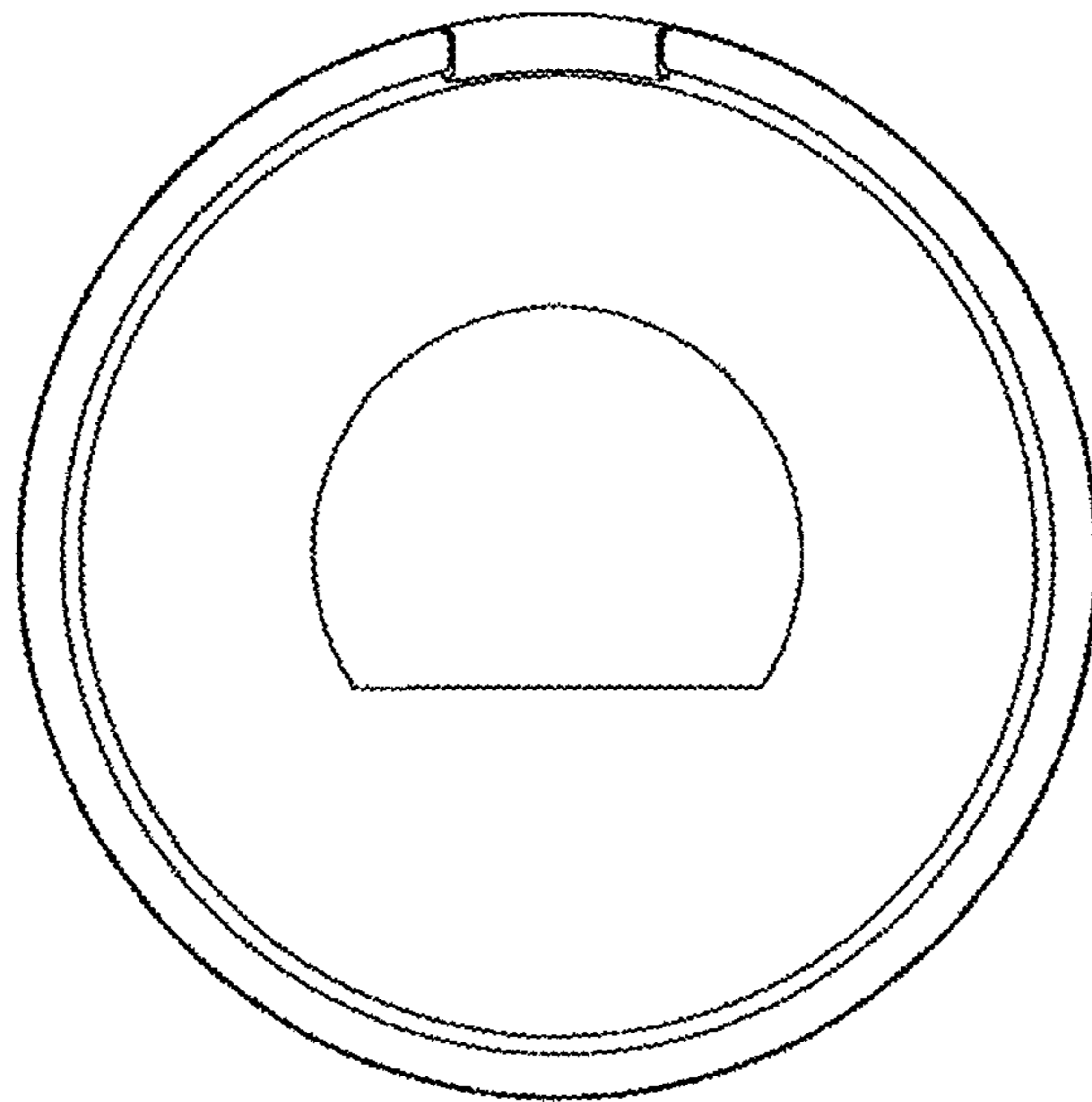


FIG. 3

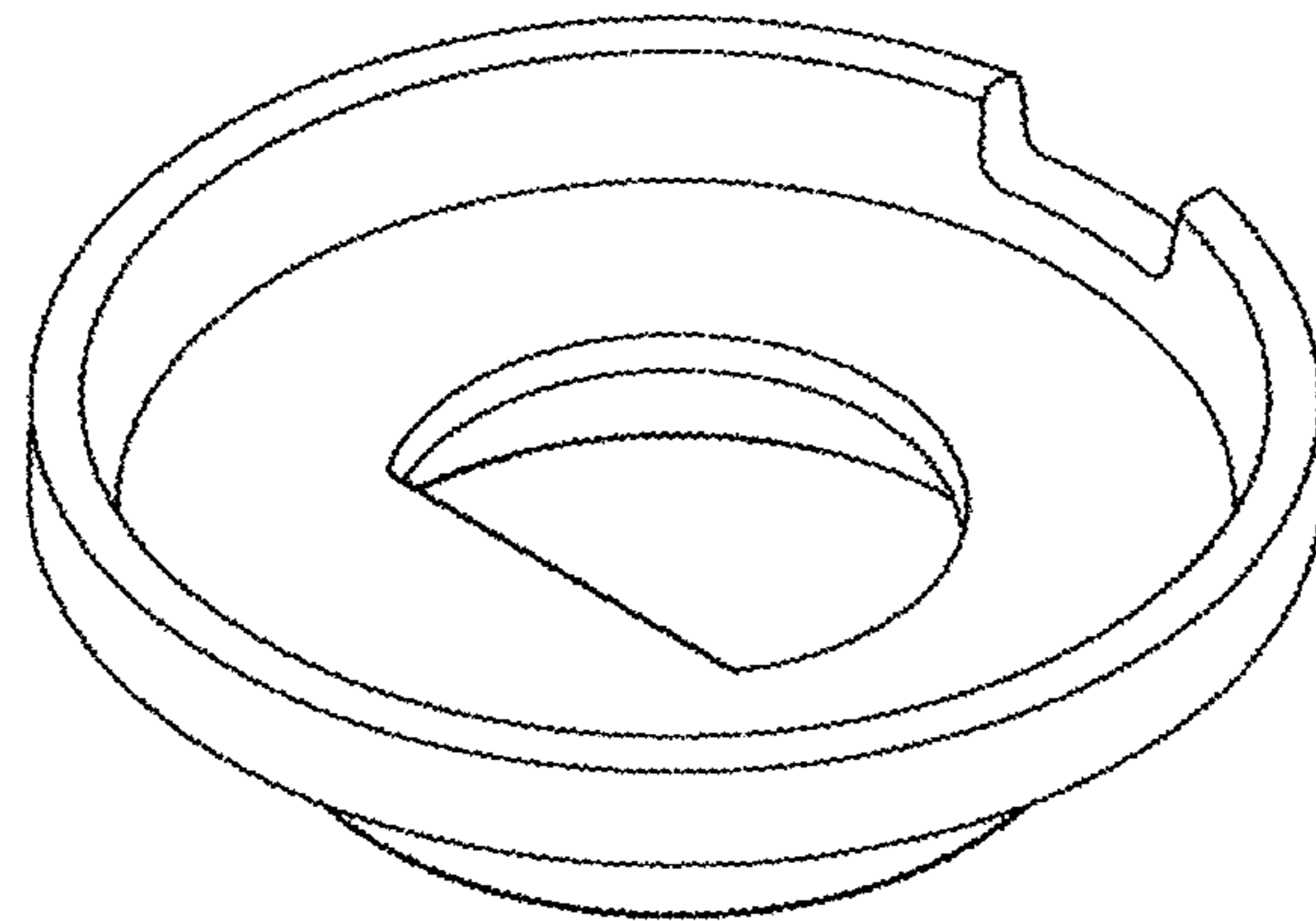


FIG. 4

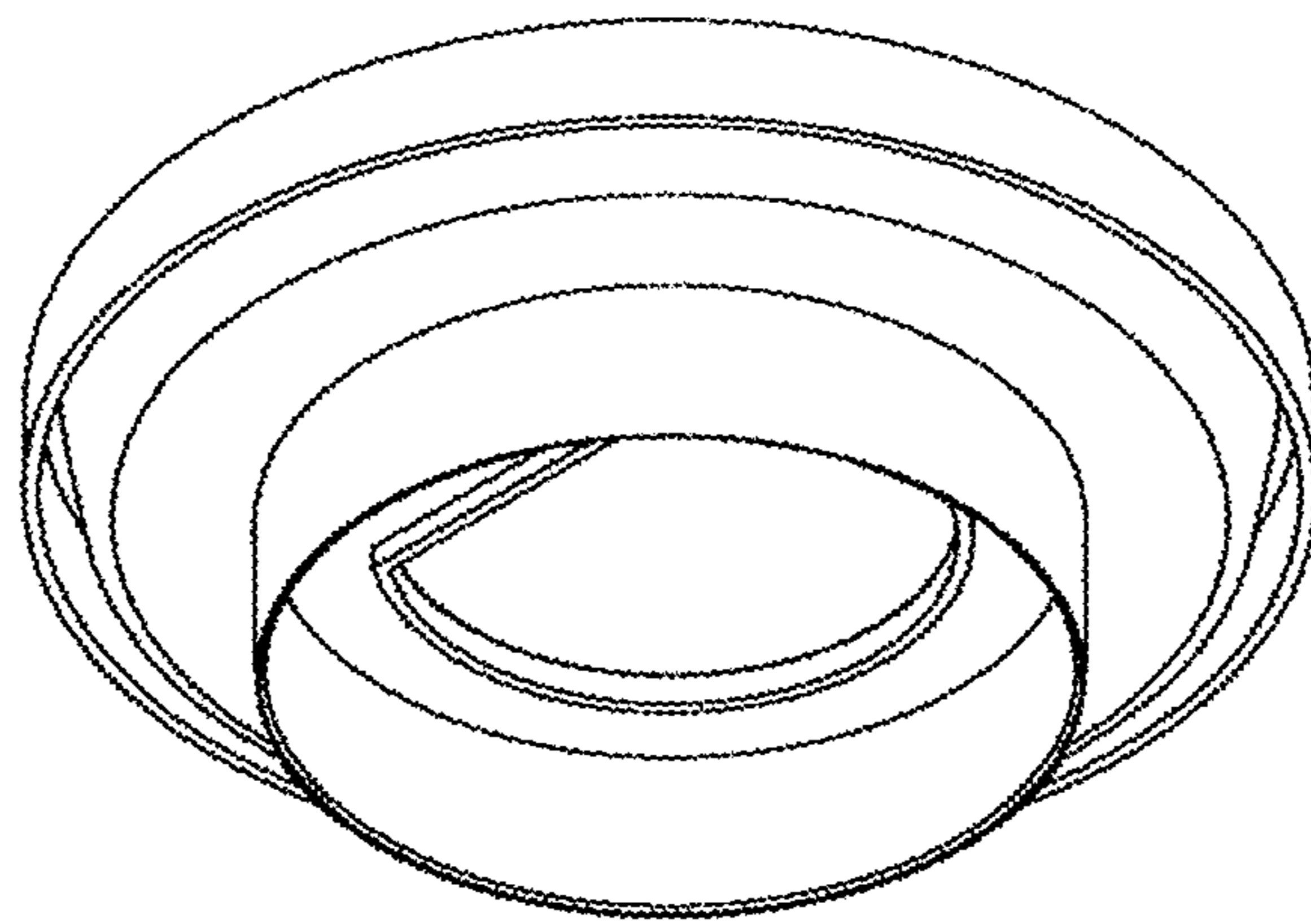


FIG. 5

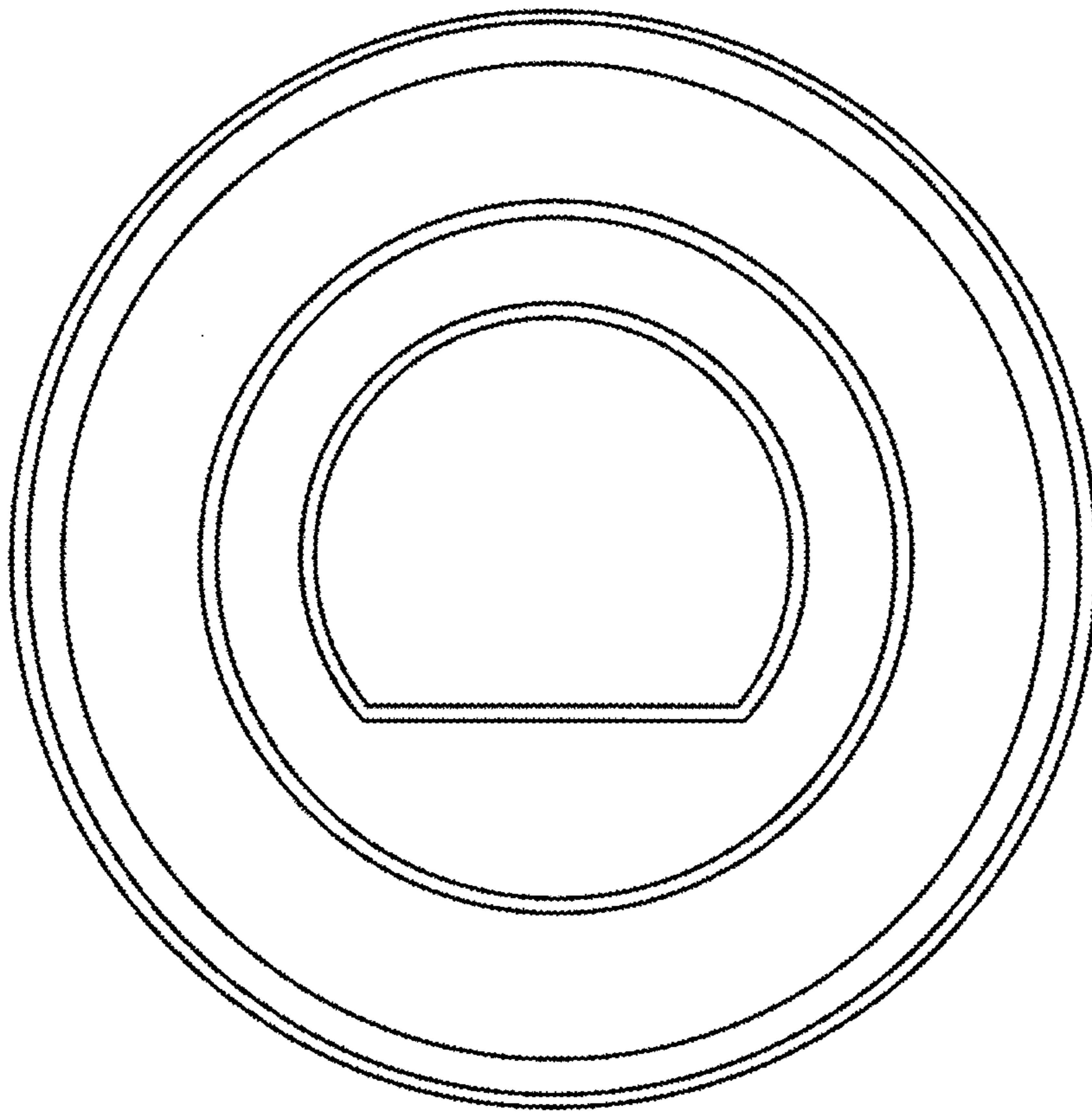


FIG. 6

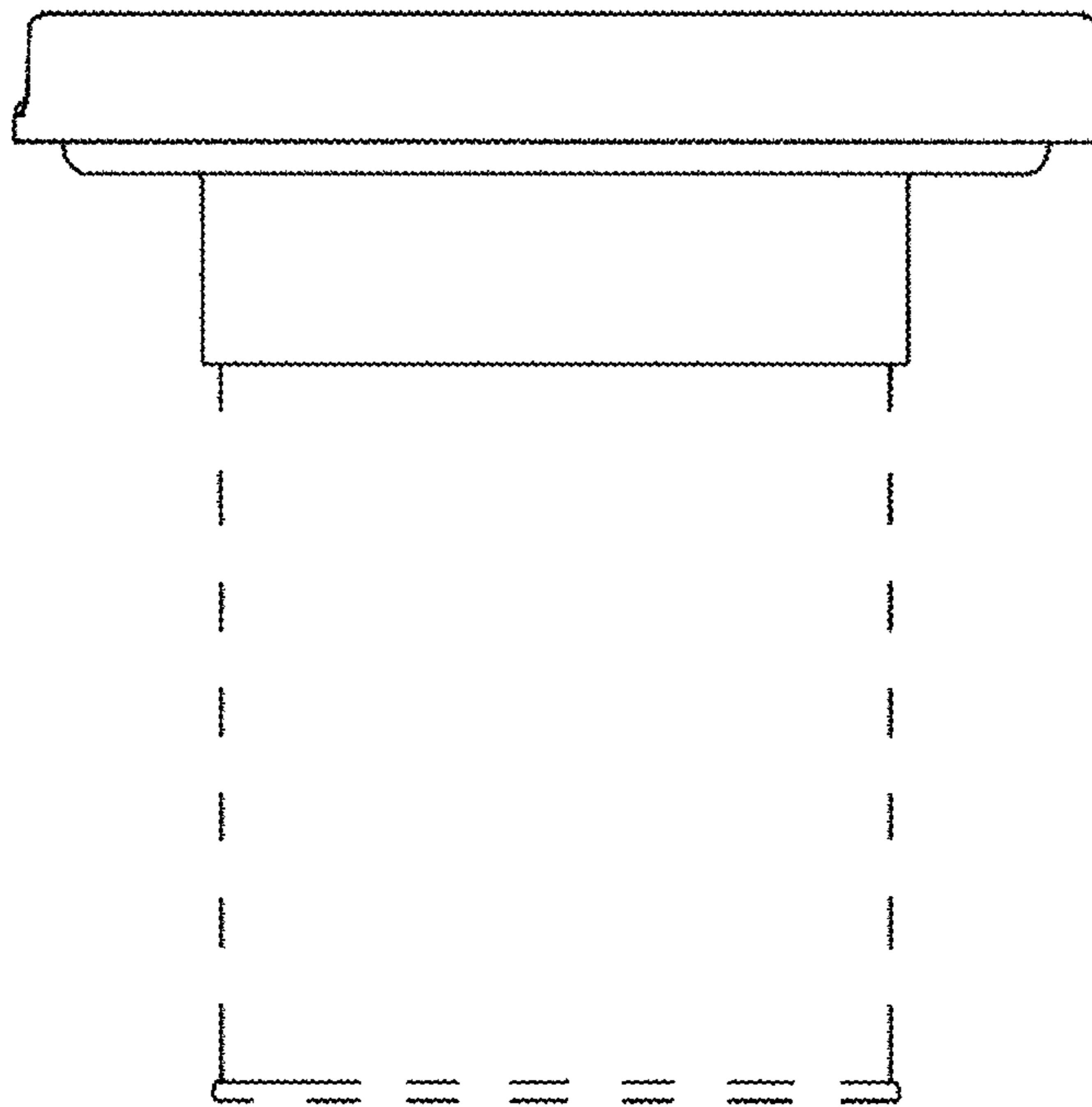


FIG. 7