



US00D832544S

(12) **United States Design Patent** (10) **Patent No.:** **US D832,544 S**
Bergman et al. (45) **Date of Patent:** **** Oct. 30, 2018**

(54) **PAINT CONTAINER LINER**

(56) **References Cited**

(71) Applicant: **Bercom International, LLC**,
Chanhasen, MN (US)

U.S. PATENT DOCUMENTS

(72) Inventors: **Mark W. Bergman**, Minnetonka, MN
(US); **Jeffrey T. Given**, St. Paul, MN
(US); **Matthew V. Leyden**, St. Paul,
MN (US); **Jeffrey B. Waffensmith**,
North Oaks, MN (US)

D527,153	S	*	8/2006	Morad	D32/53
D544,669	S	*	6/2007	Casteel	D32/53
D581,119	S	*	11/2008	Bergman	D32/53.1
D697,281	S	*	1/2014	Bergman	D32/53.1
D756,049	S	*	5/2016	Arvinte	D32/53
D762,033	S	*	7/2016	Gooden	D32/53

* cited by examiner

(73) Assignee: **Bercom International, LLC**,
Chanhasen, MN (US)

Primary Examiner — Robin V Webster

(**) Term: **15 Years**

(74) *Attorney, Agent, or Firm* — James L. Young;
Westman, Champlin & Koehler, P.A.

(21) Appl. No.: **29/610,406**

(57) **CLAIM**

(22) Filed: **Jul. 12, 2017**

The ornamental design for a paint container liner, as shown
and described.

DESCRIPTION

Related U.S. Application Data

(63) Continuation of application No. 29/564,142, filed on
May 11, 2016, now Pat. No. Des. 796,140.

FIG. 1 is a perspective view of a paint container liner;
FIG. 2 is a left side view of the paint container liner of FIG.
1;
FIG. 3 is a right side view of the paint container liner of FIG.
1;
FIG. 4 is a back view of the paint container liner of FIG. 1;
FIG. 5 is a front view of the paint container liner of FIG. 1;
FIG. 6 is a top view of the paint container liner of FIG. 1;
and,
FIG. 7 is a bottom view of the paint container liner of FIG.
1.

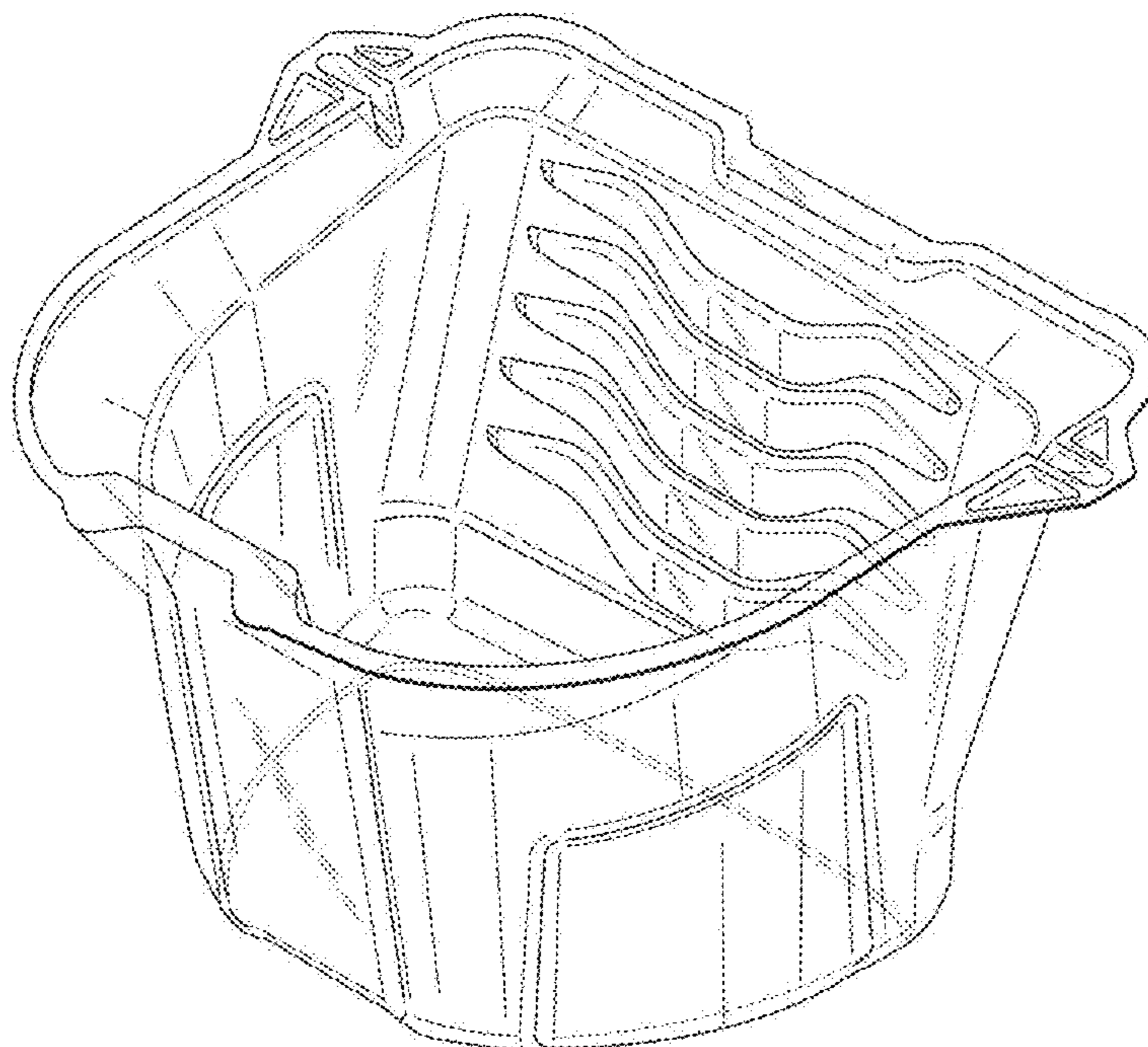
(51) **LOC (11) Cl.** **07-07**

(52) **U.S. Cl.**
USPC **D32/53.1**

(58) **Field of Classification Search**
USPC D32/53, 53.1, 54; 220/570, 904;
15/260–264
CPC A47L 13/142; A47L 13/58; B65D 25/14;
B44D 3/12

See application file for complete search history.

1 Claim, 7 Drawing Sheets



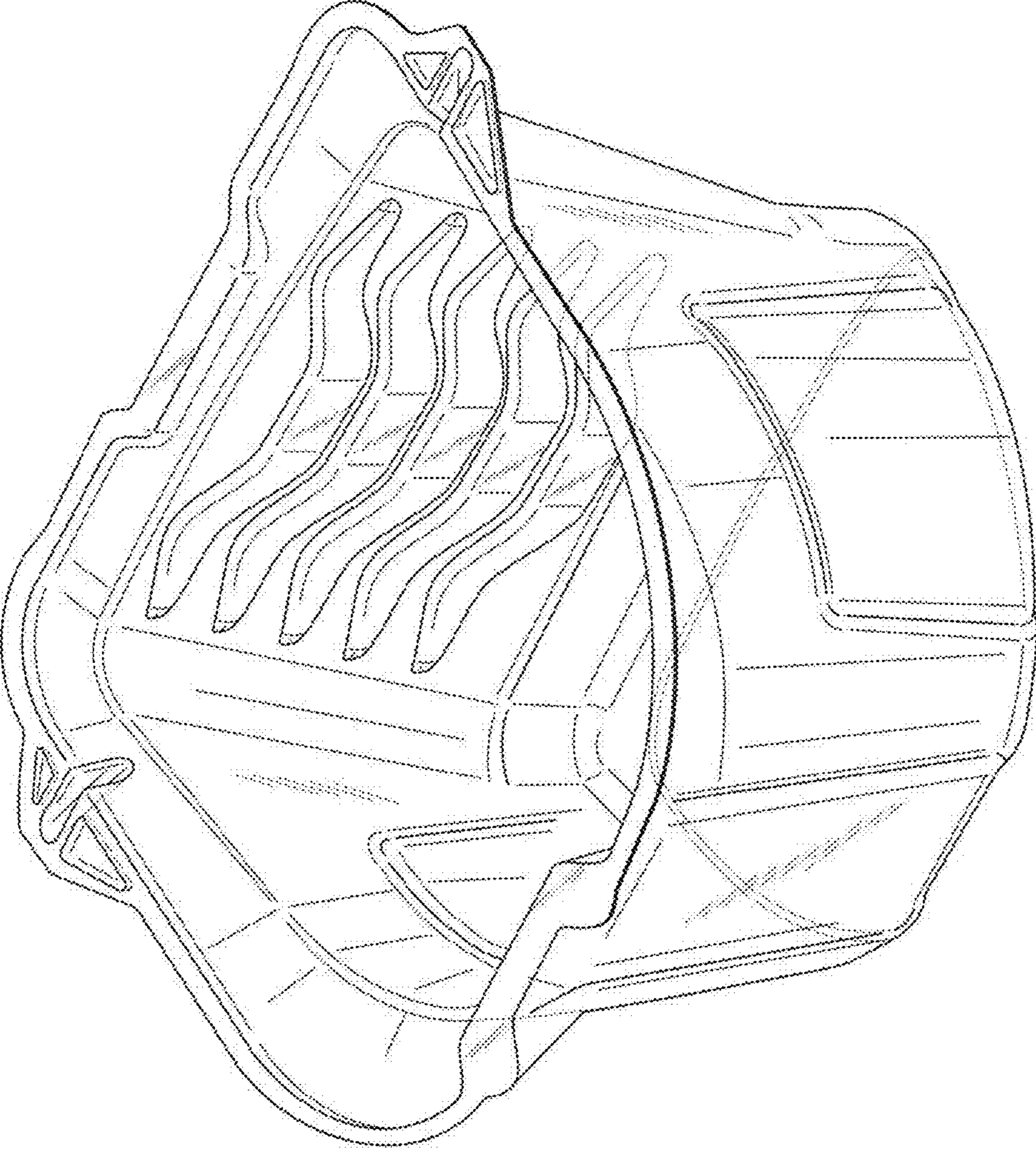


Fig. 1

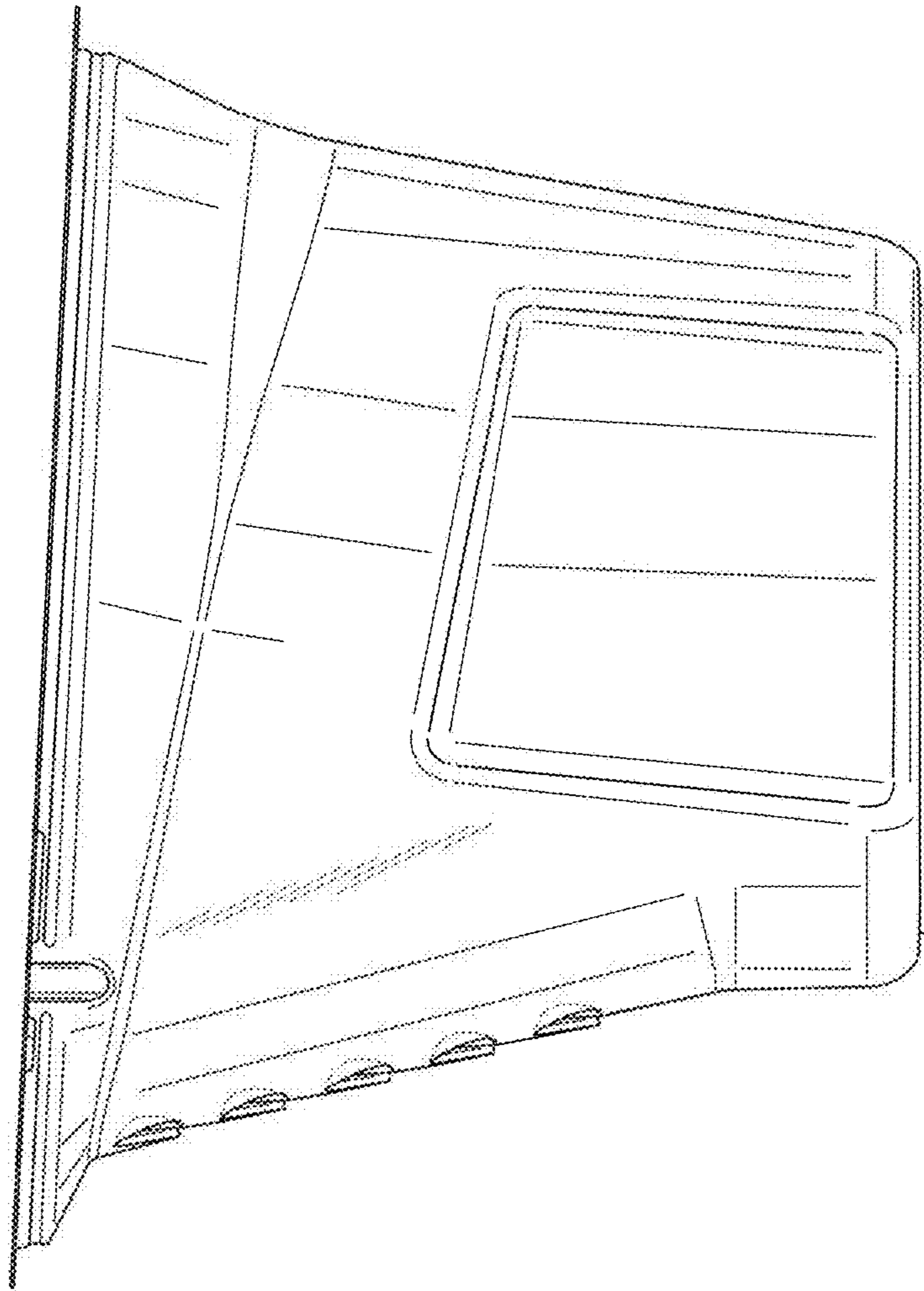


Fig. 2

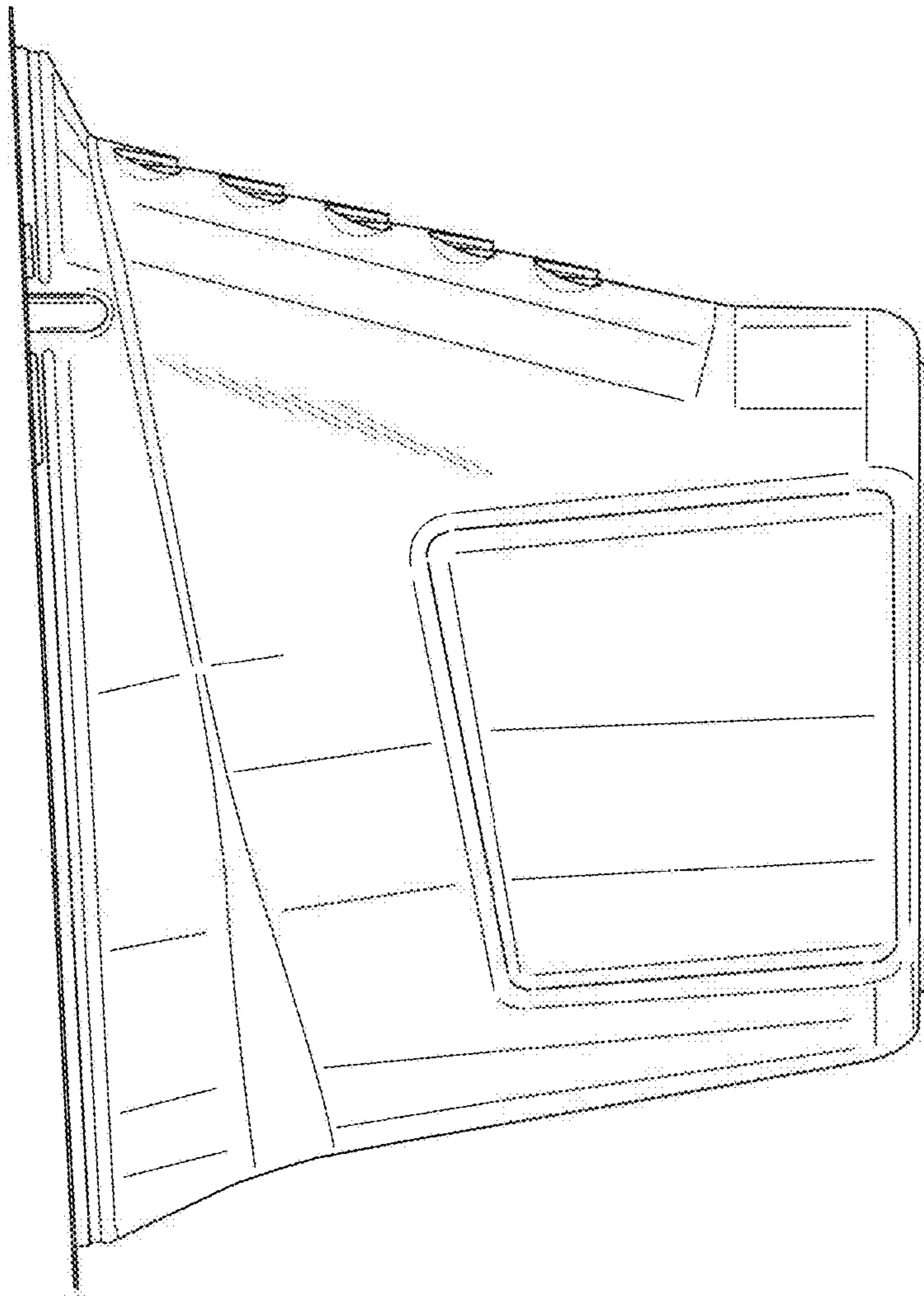


Fig. 3

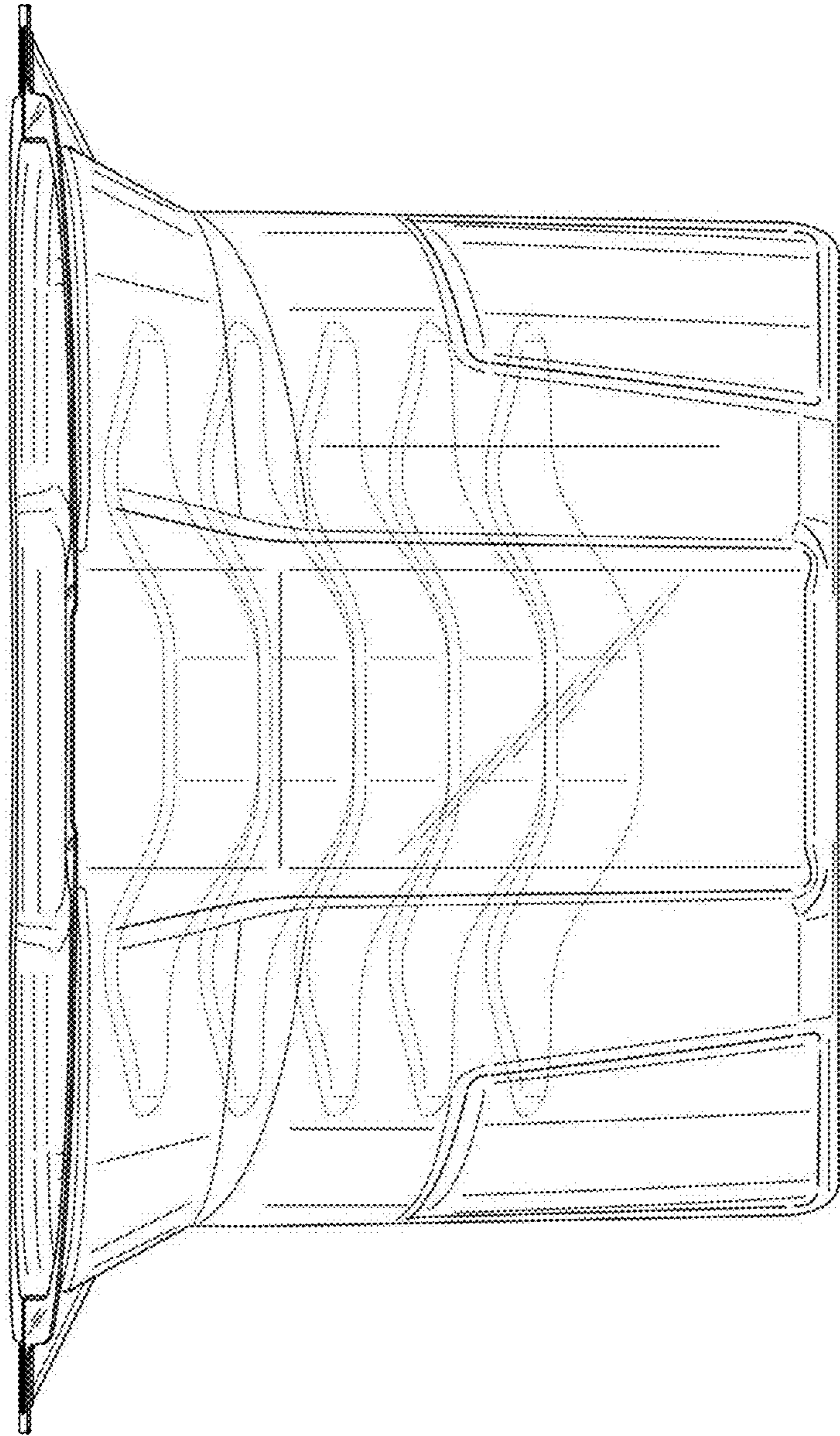


Fig. 4

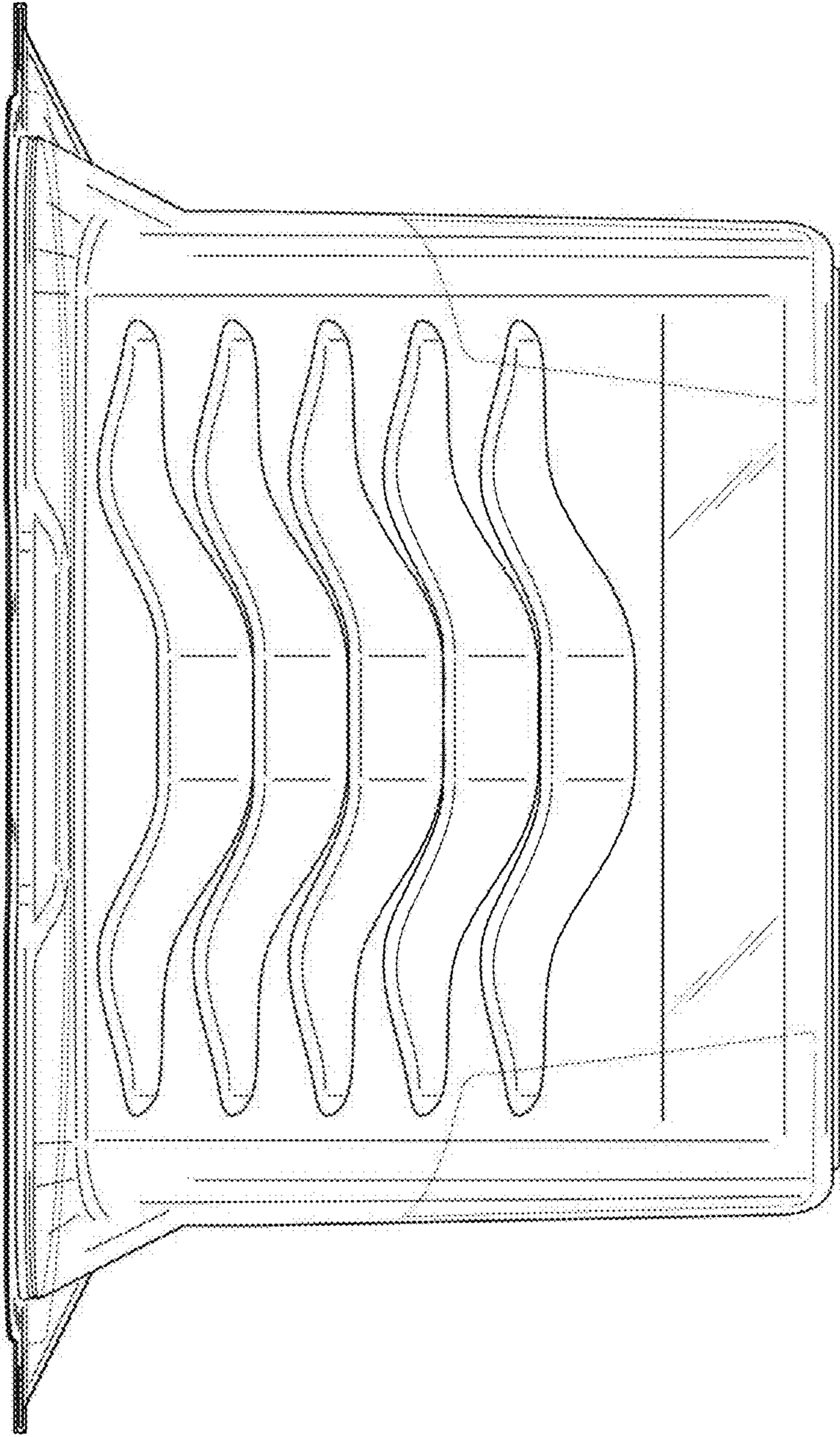


Fig. 5

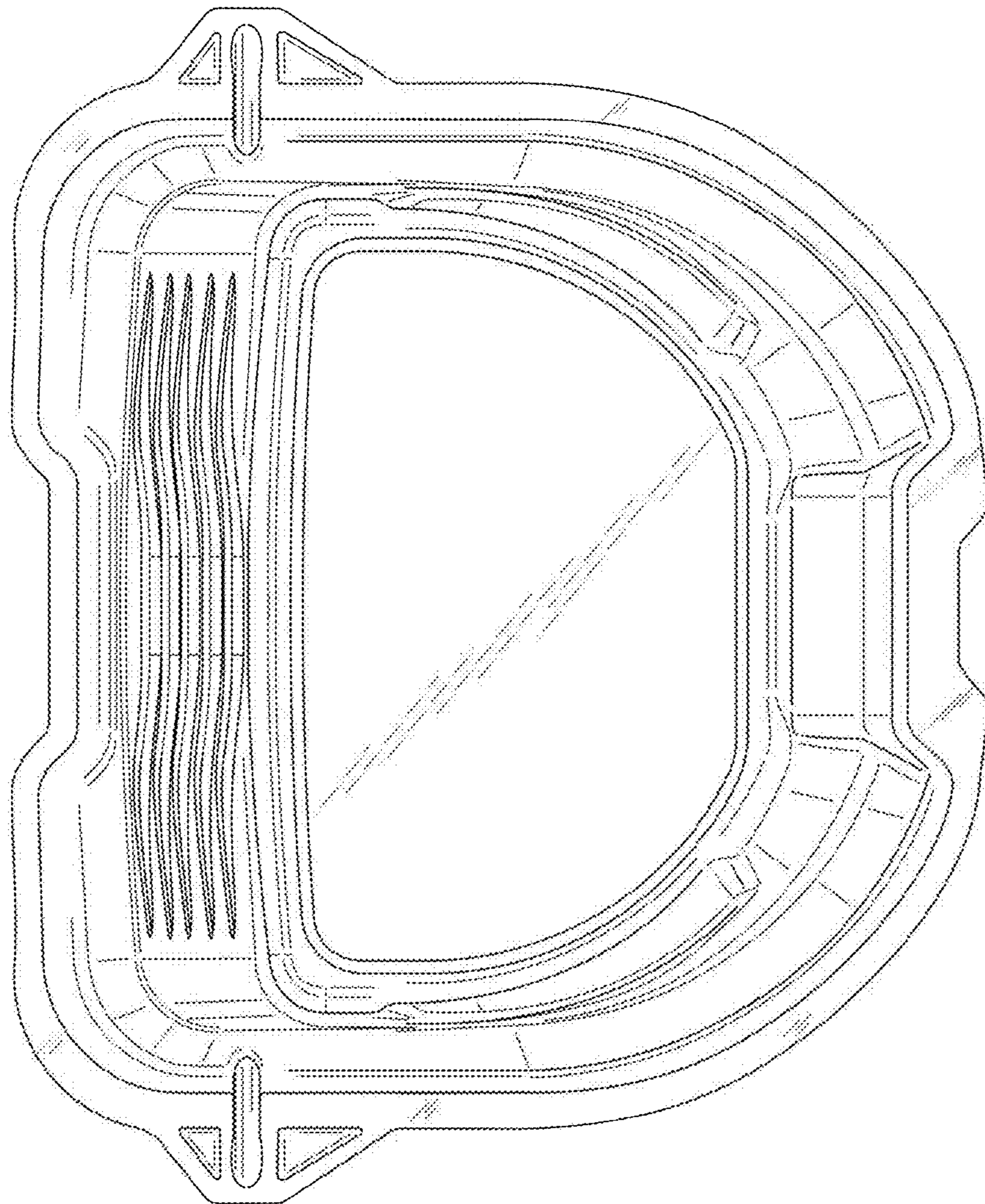


Fig. 6

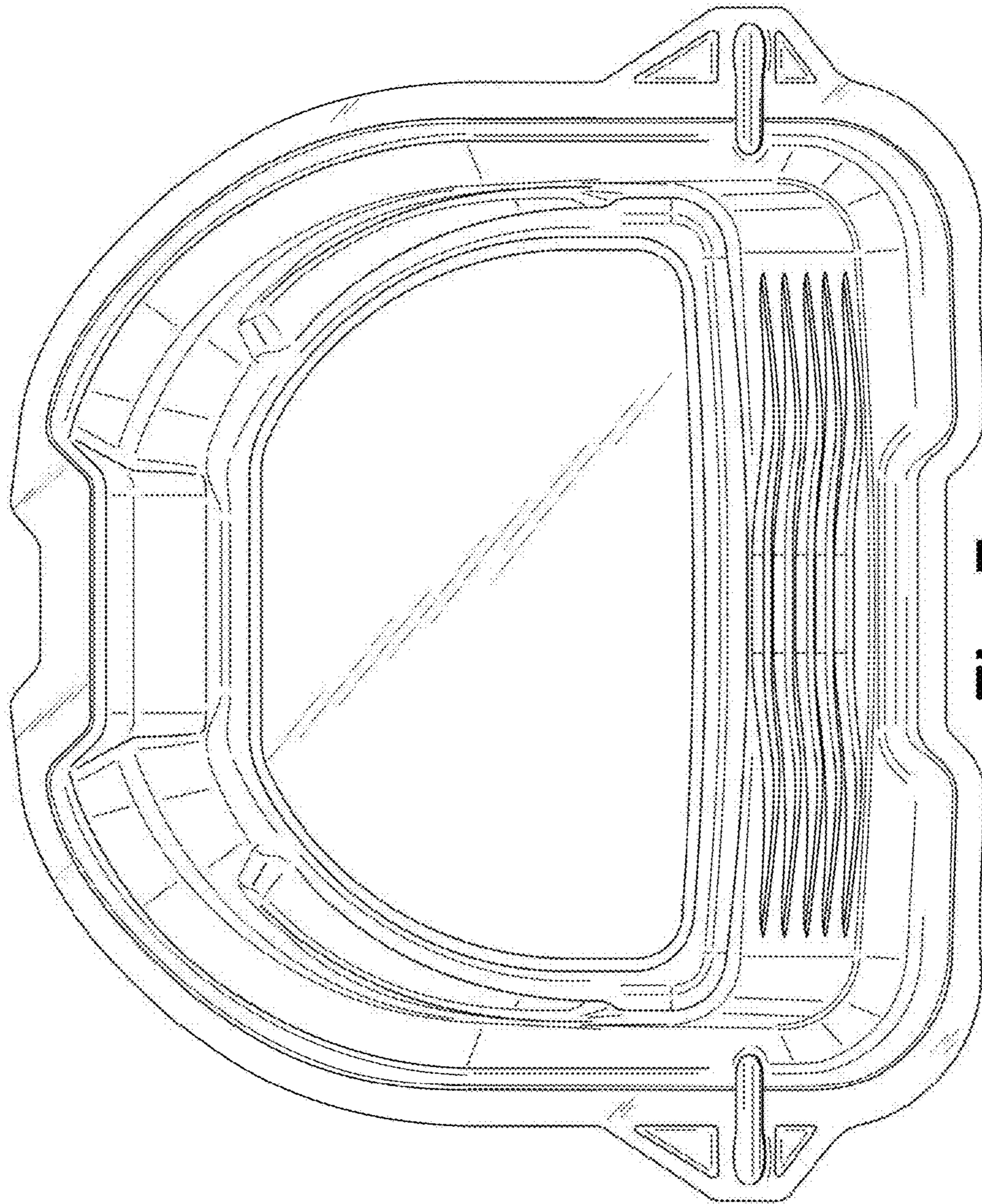


Fig. 7