



US00D832543S

(12) **United States Design Patent** (10) **Patent No.:** **US D832,543 S**
Acker et al. (45) **Date of Patent:** **** Oct. 30, 2018**

(54) BUCKET INSERT	5,669,498 A	9/1997	Fierek et al.
	5,797,491 A	8/1998	Fierek et al.
(71) Applicants: Paul M. Acker , Hales Corners, WI	5,836,446 A	11/1998	Varnom
(US); Michael E. Acker , St. Paul, MN	5,848,701 A	12/1998	Riccabona
(US)	5,890,614 A *	4/1999	Dancyger B25H 3/026 3/26
(72) Inventors: Paul M. Acker , Hales Corners, WI	5,924,568 A	7/1999	Zajonc
(US); Michael E. Acker , St. Paul, MN	6,059,109 A	5/2000	Stein
(US)	D426,925 S *	6/2000	Axhamre A24F 25/02 D32/53

(Continued)

(**) Term: **15 Years**

(21) Appl. No.: **29/616,846**

(22) Filed: **Sep. 8, 2017**

(51) **LOC (11) Cl.** **07-07**

(52) **U.S. Cl.**
USPC **D32/53**

(58) **Field of Classification Search**
USPC D32/53-54; 15/264; 220/669, 752-3,
220/659, 770, 904, 570, 23.4, 23.6;
206/372, 373; D3/315
CPC A47L 13/58; A47J 47/18; A47J 13/50;
B65D 25/2802; B65D 25/28; B65D
21/02; B65D 21/023; B44D 3/128; B44D
1/126

See application file for complete search history.

(56) **References Cited**

U.S. PATENT DOCUMENTS

4,826,007 A	5/1989	Skeie	
4,911,295 A	3/1990	Venegoni	
5,186,329 A	2/1993	Fogelberg	
5,261,556 A	11/1993	Gatto	
5,261,561 A	11/1993	Hodges	
5,337,892 A	8/1994	Zaffina	
D350,632 S	9/1994	Cummins	
D355,735 S *	2/1995	Shaffer D32/53
5,386,922 A *	2/1995	Jordan A01K 97/06 206/373
D372,125 S	7/1996	Frazier	
5,540,329 A	7/1996	Vogeley	
5,547,098 A	8/1996	Jordan	

FOREIGN PATENT DOCUMENTS

DE 202004017010 4/2005

Primary Examiner — Robin V Webster

(74) *Attorney, Agent, or Firm* — Ryan Kromholz & Manion, S.C.

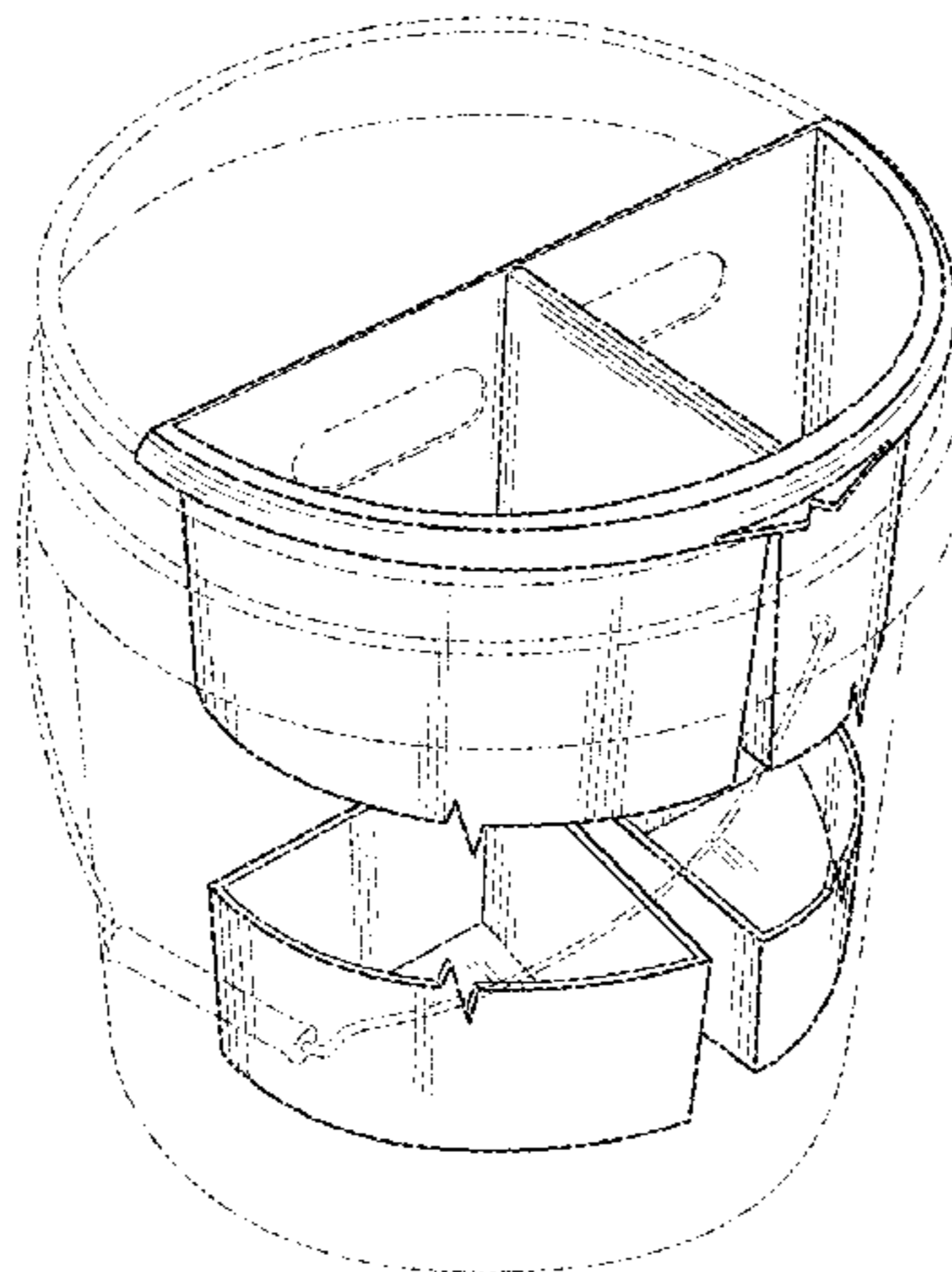
(57) **CLAIM**

The ornamental design for a bucket insert, as shown and described.

DESCRIPTION

FIG. 1 is a perspective view;
FIG. 2 is a perspective view showing the application of the invention to a bucket;
FIG. 3 is a front elevation view;
FIG. 4 is a rear elevation view;
FIG. 5 is a right side elevation view;
FIG. 6 is a left side elevation view;
FIG. 7 is a top plan view; and,
FIG. 8 is a bottom plan view.
The broken line showing of openings in FIGS. 1, 2 and 6 form no part of the claimed design.
The bucket insert is shown with symbolic break lines in FIGS. 1, 2, 3, 4, 5 and 6; any portion between the break lines forms no part of the claimed design.
The broken line showing of a bucket in FIG. 2 forms no part of the claimed design.

1 Claim, 2 Drawing Sheets



(56)

References Cited

U.S. PATENT DOCUMENTS

D429,397 S * 8/2000 Axhamre B65D 21/0204
D32/53
6,123,214 A * 9/2000 Goebel B65D 21/0204
206/805
6,360,891 B1 3/2002 Rideout
D604,047 S 11/2009 Williams
9,005,348 B2 * 4/2015 Ott A24F 25/02
206/213.1
2006/0065661 A1 3/2006 Ohms
2009/0008280 A1 1/2009 Nilferli et al.
2013/0037559 A1 2/2013 Fierek

* cited by examiner

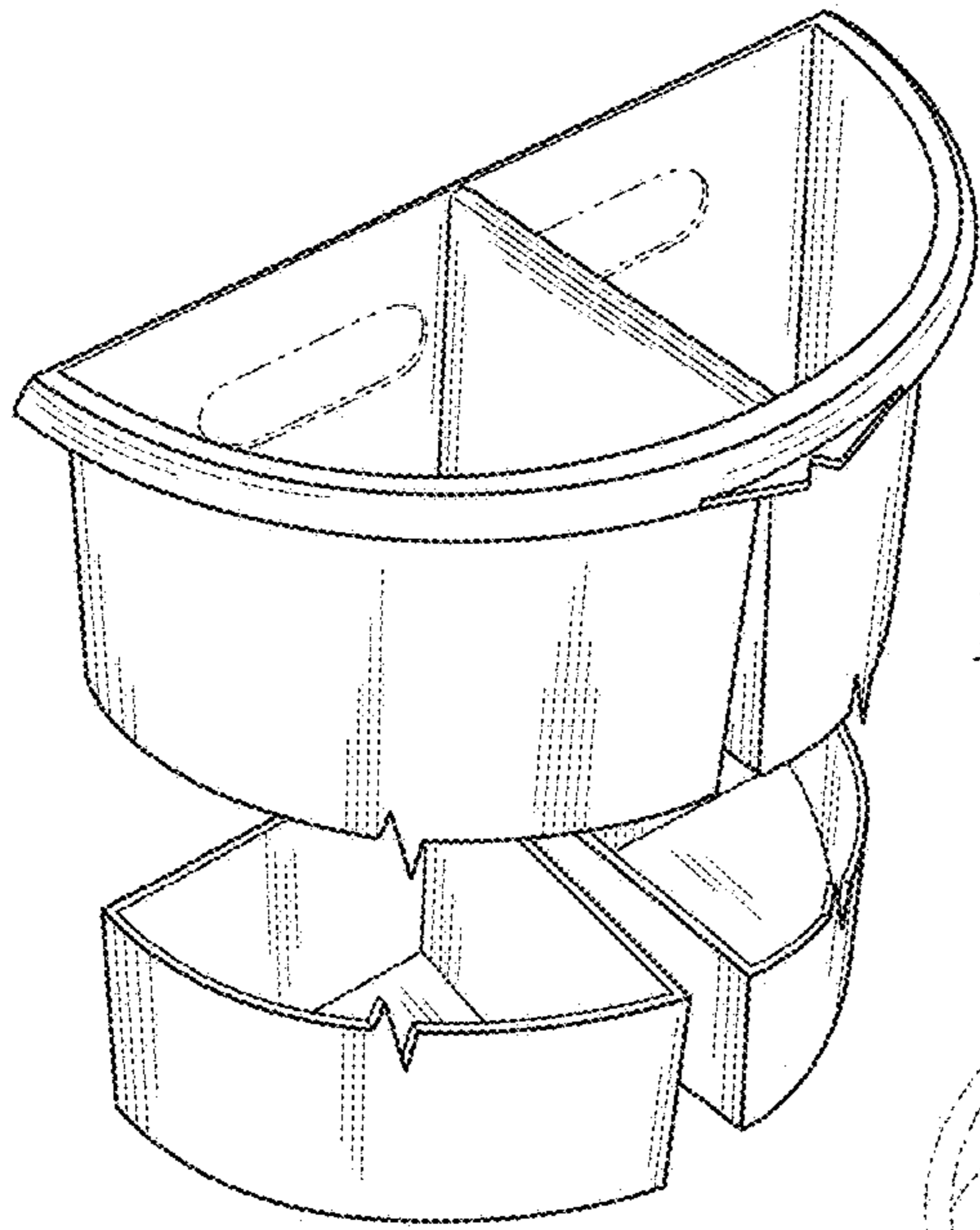


Fig. 1

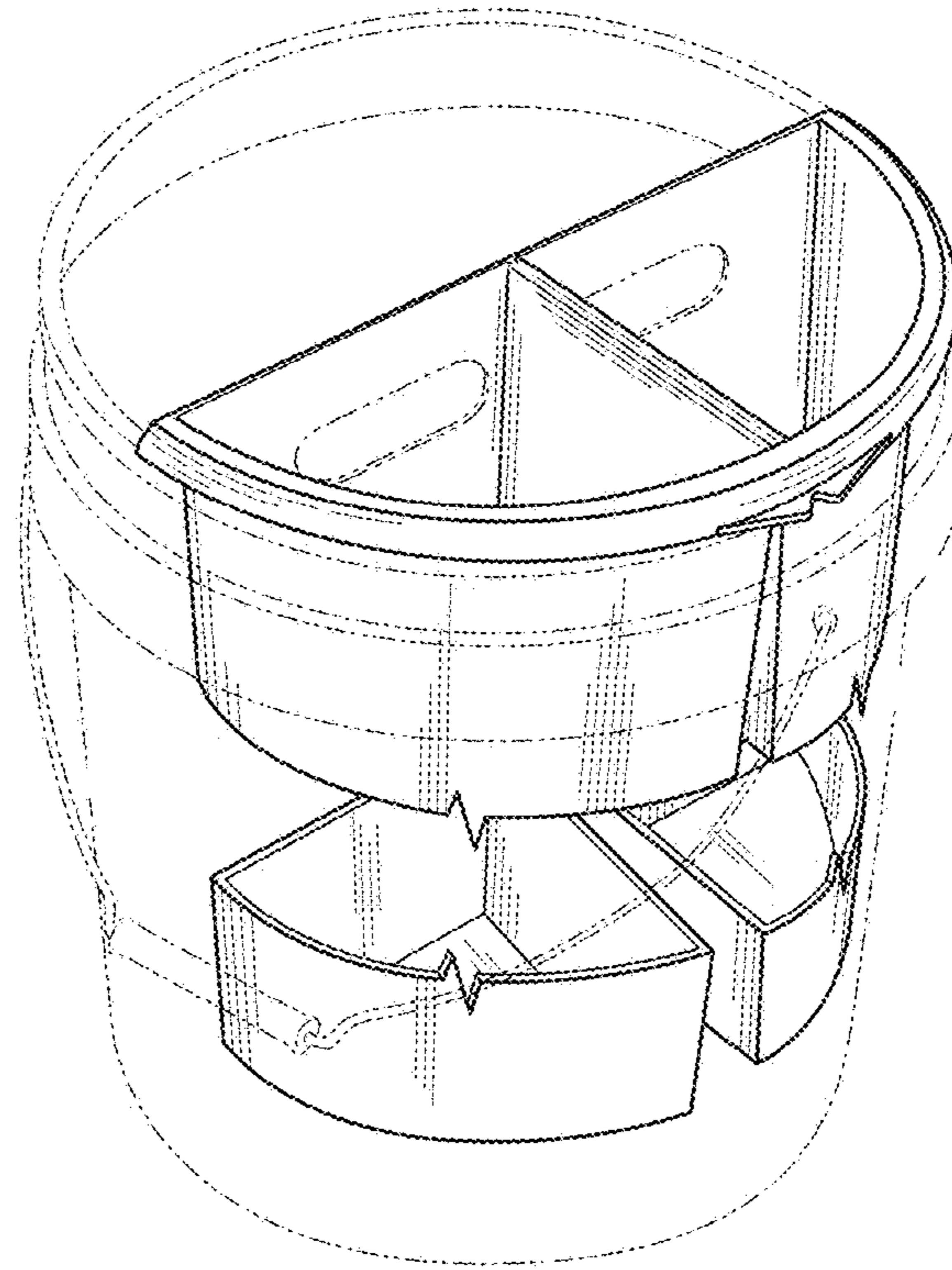


Fig. 2

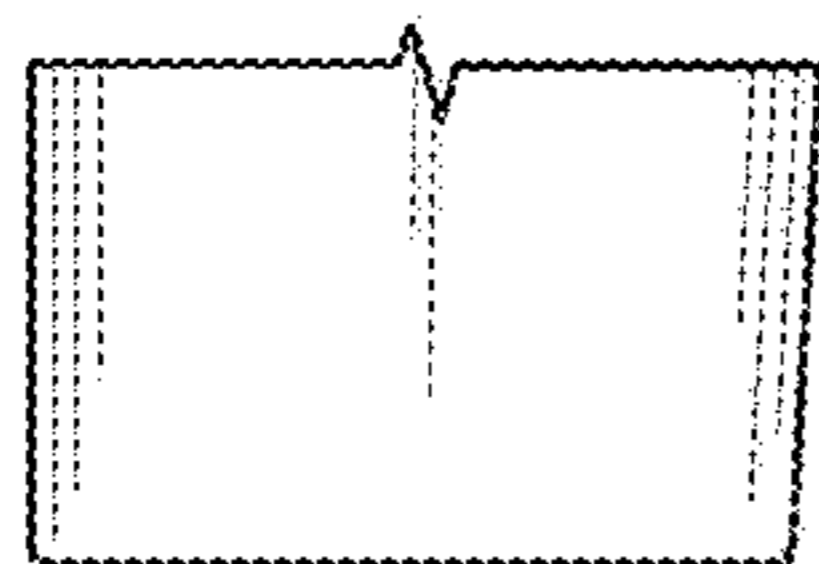
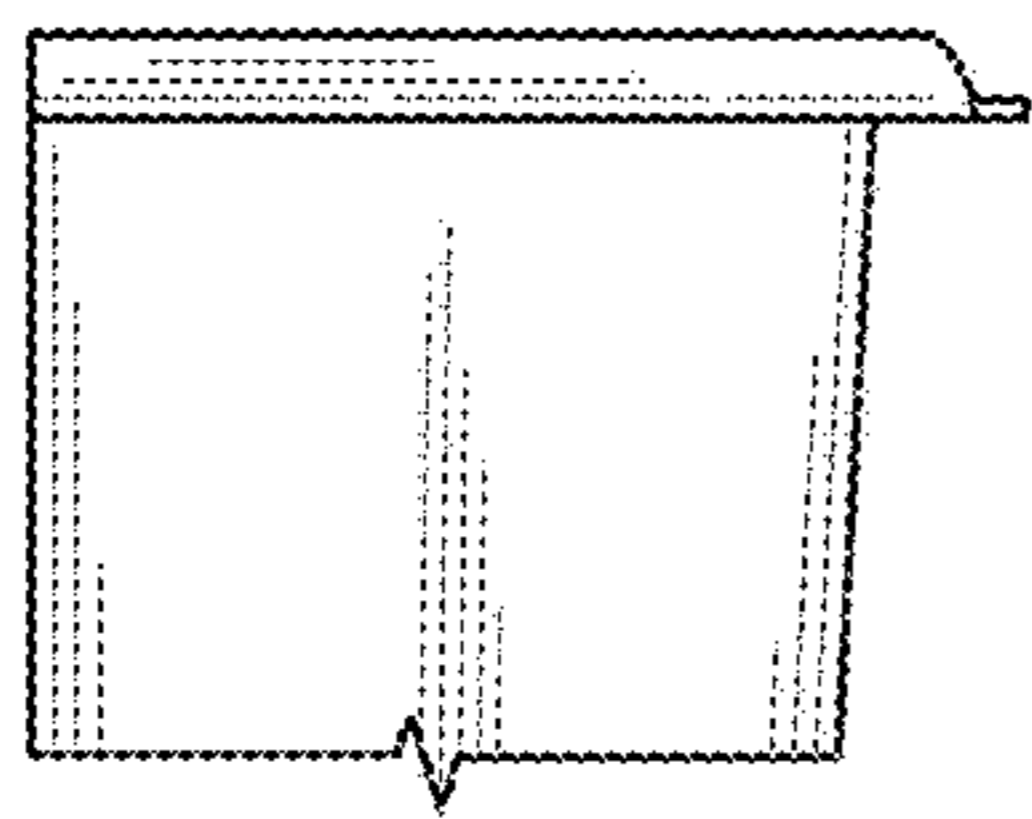


Fig. 3

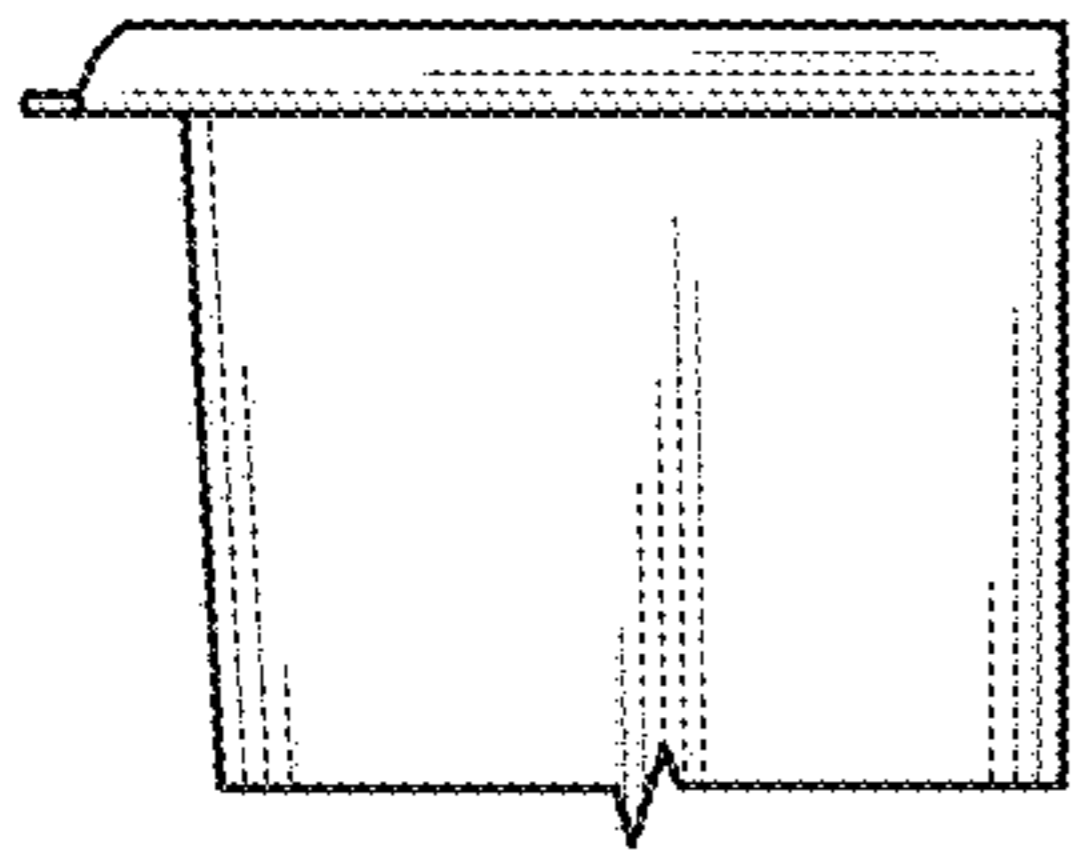


Fig. 4

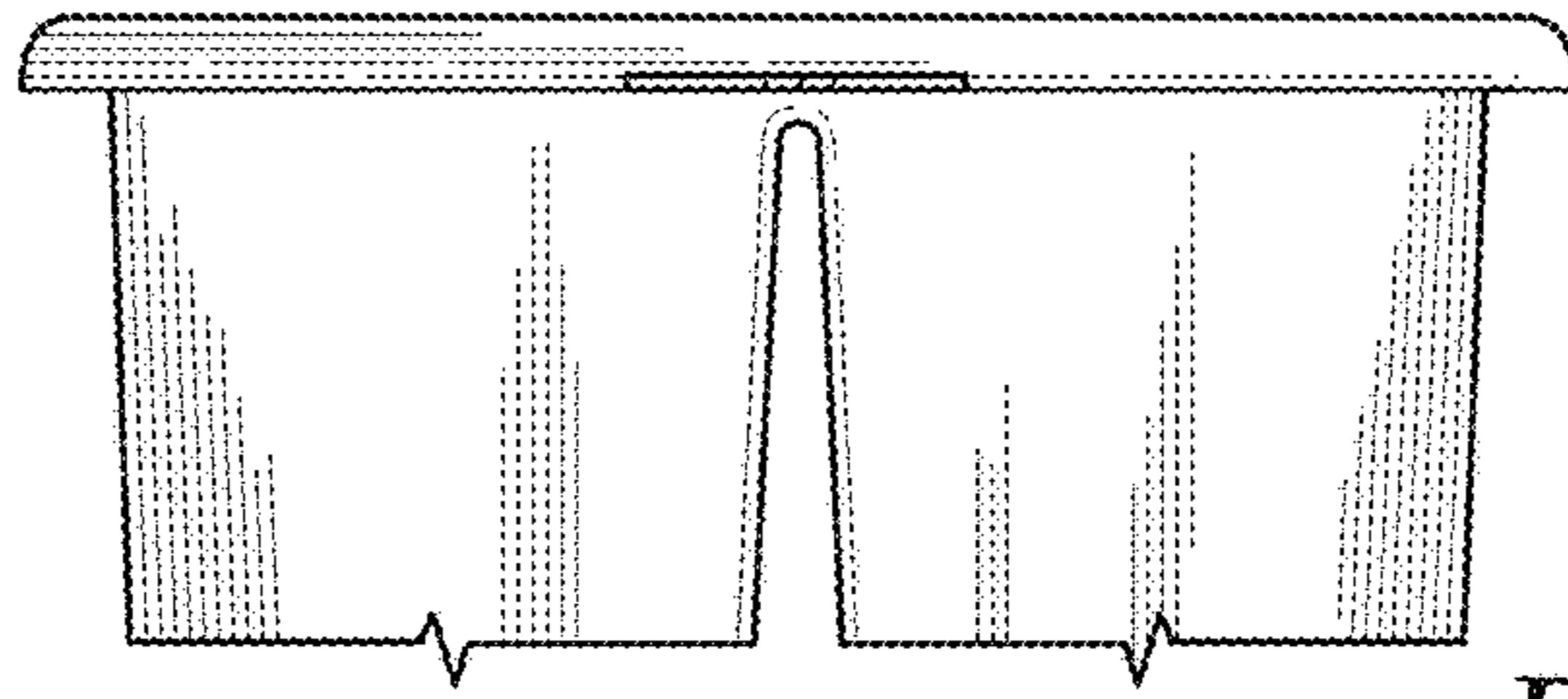
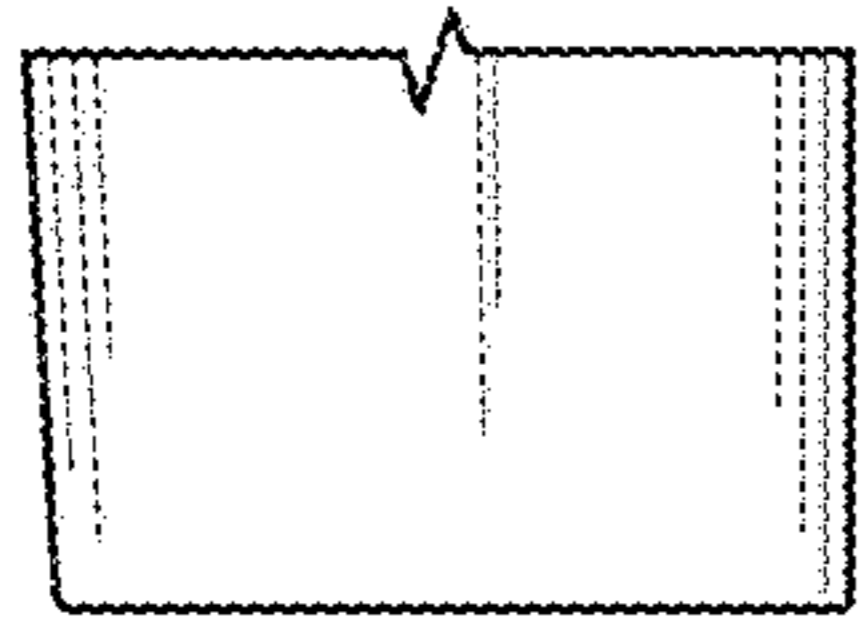


Fig. 5

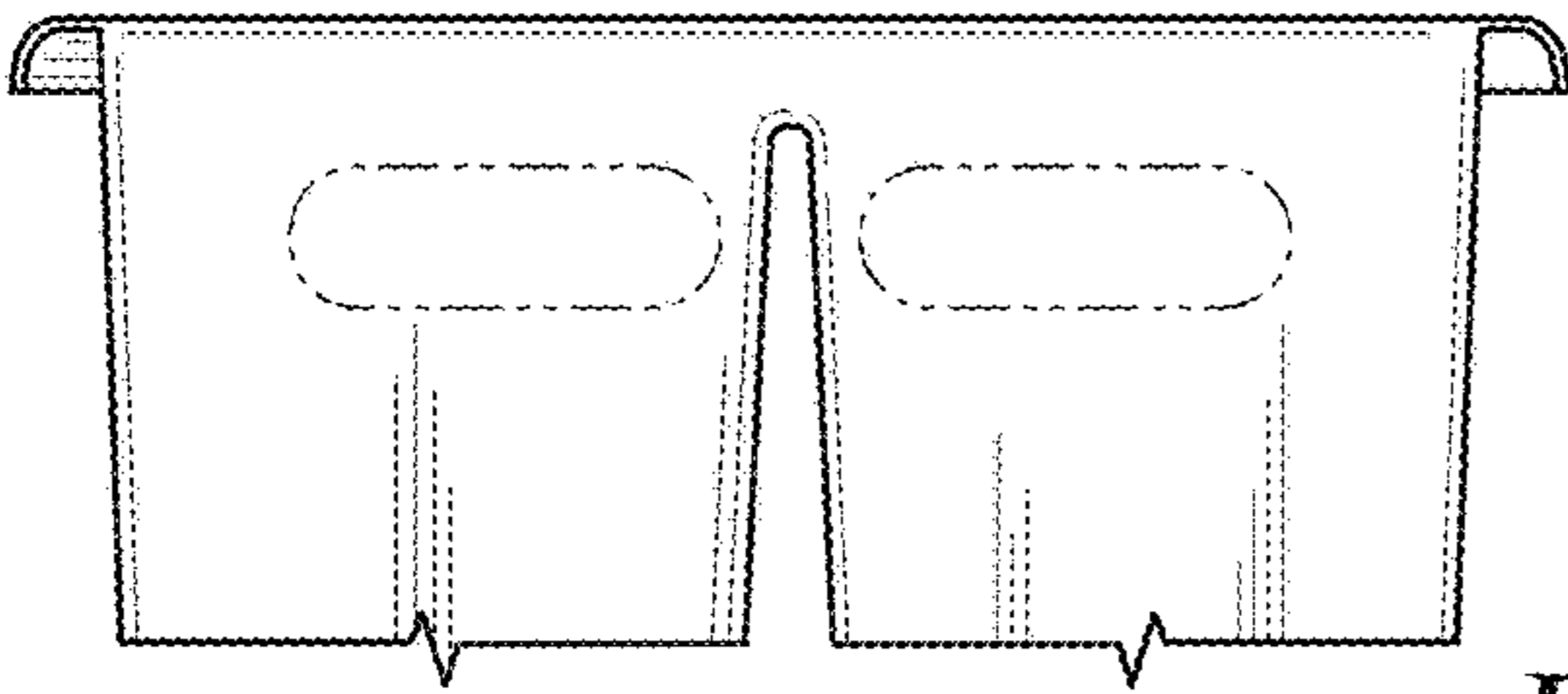
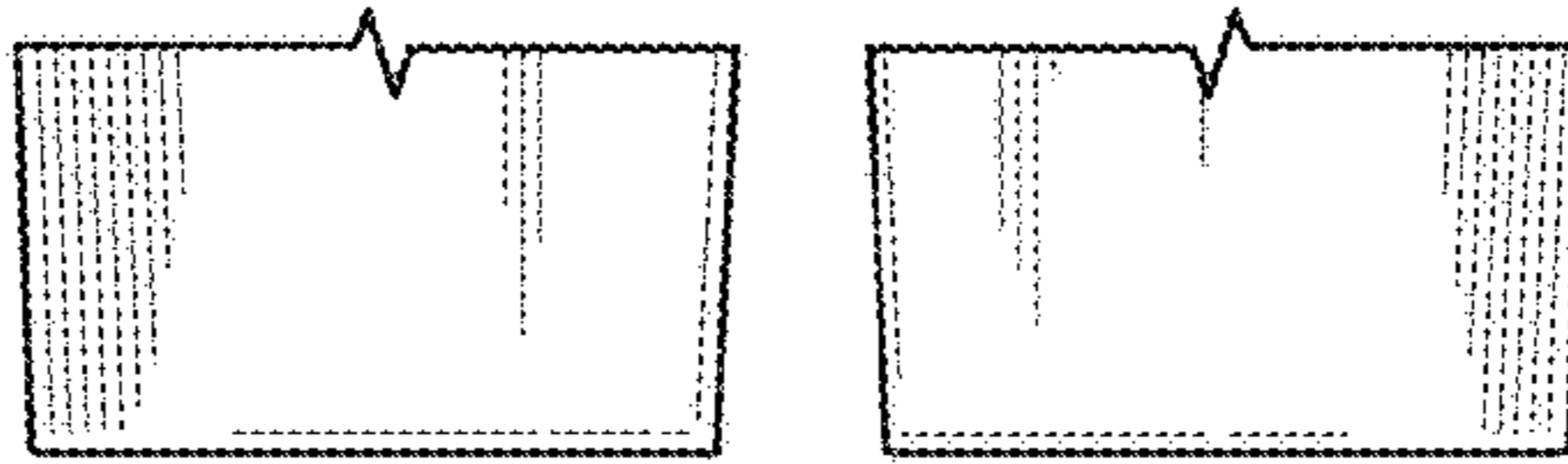


Fig. 6

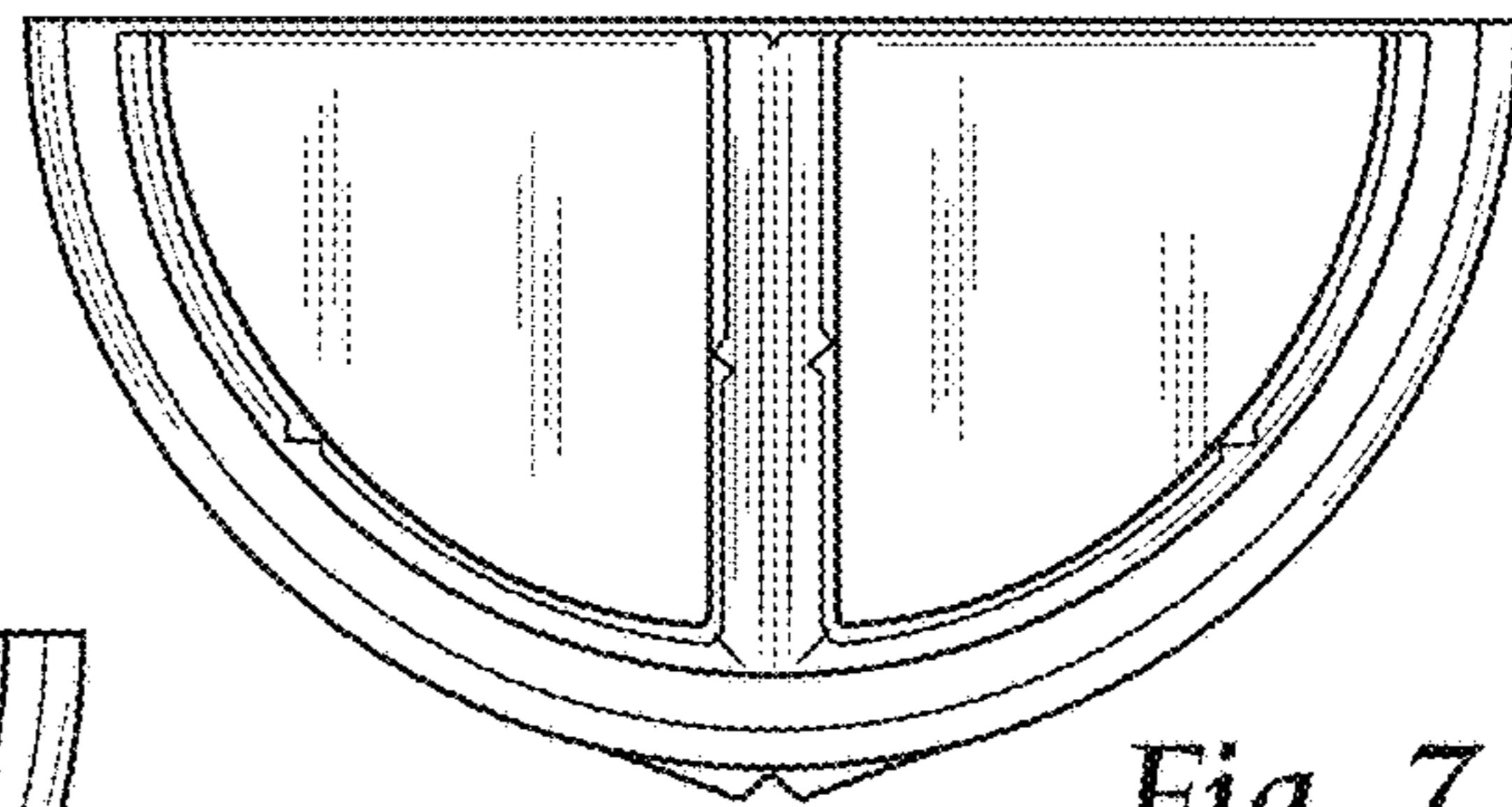
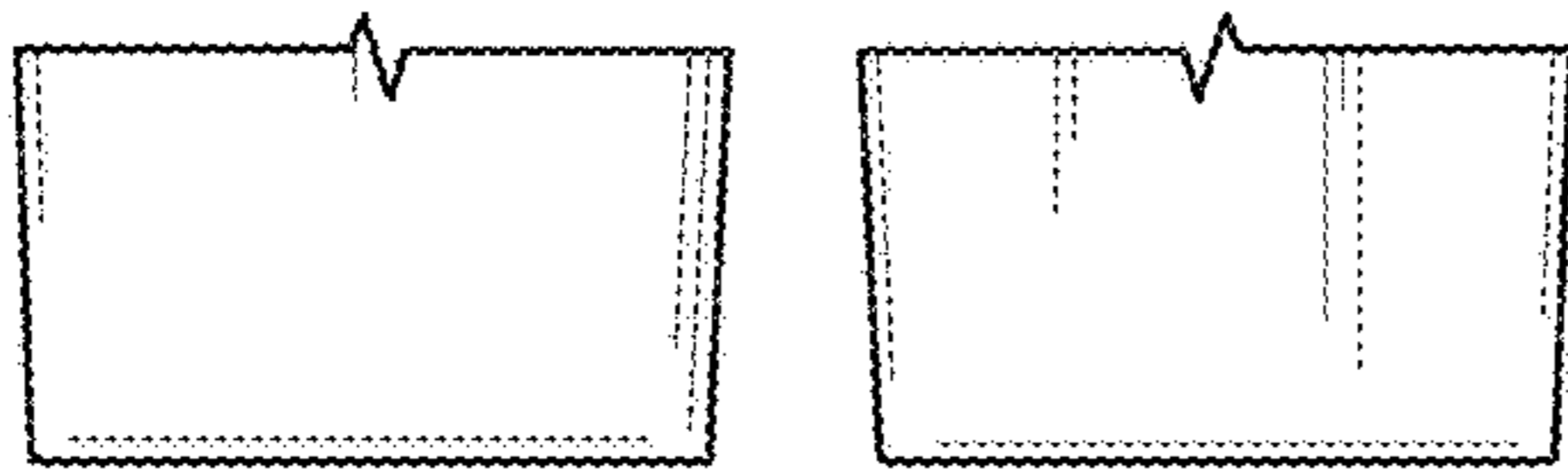


Fig. 7

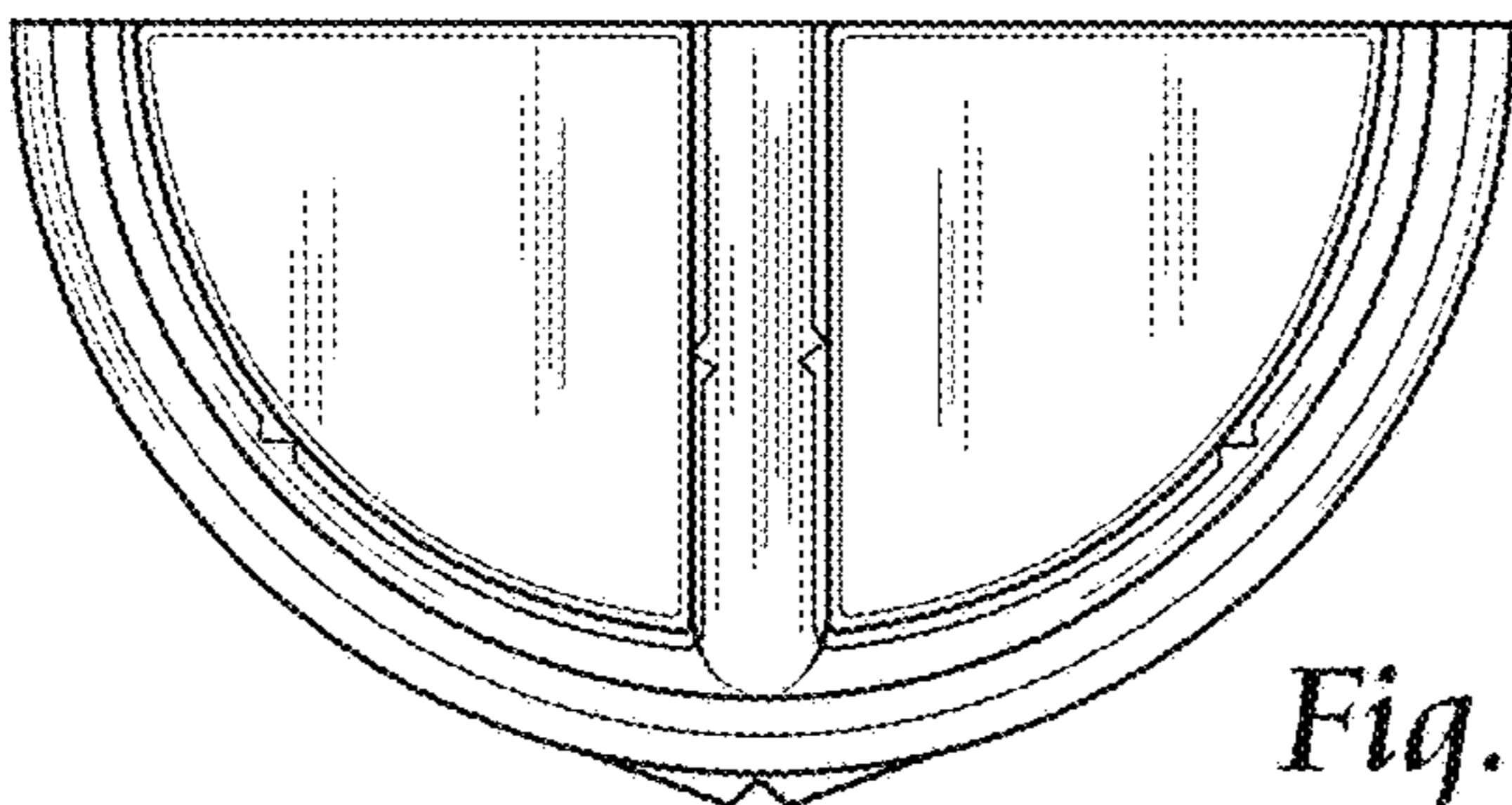


Fig. 8