



US00D832541S

(12) **United States Design Patent** (10) **Patent No.:** **US D832,541 S**
Schlegel et al. (45) **Date of Patent:** **** Oct. 30, 2018**

(54) **RETRACTABLE BROOM**

FOREIGN PATENT DOCUMENTS

(71) Applicants: **Reid Schlegel**, Oradell, NJ (US);
Linden Evans, Brooklyn, NY (US);
Vincent Valderrama, Staten Island, NY
(US); **Davin Stowell**, New York, NY
(US); **David Wight**, West Orange, NJ
(US); **Juan Escobar**, Brooklyn, NY
(US); **Claire Dunnington**, Berkeley,
CA (US)

CN 303924512 * 11/2016
CN 304202136 * 7/2017

(72) Inventors: **Reid Schlegel**, Oradell, NJ (US);
Linden Evans, Brooklyn, NY (US);
Vincent Valderrama, Staten Island, NY
(US); **Davin Stowell**, New York, NY
(US); **David Wight**, West Orange, NJ
(US); **Juan Escobar**, Brooklyn, NY
(US); **Claire Dunnington**, Berkeley,
CA (US)

OTHER PUBLICATIONS

Rubbermaid Polypropylene Long Handled Dust Pan, Grainger
website 2018, https://www.grainger.com/...WY1?cm_mmc=PPC:+Google+PLA&s_kwid=AL!2966!3!166591642290!!!s!102361954437!&ef_id=Wy-BRAAAAJseXWvT:20180629013321:s, site visited Jun.
28, 2018 (Year: 2018).*

Primary Examiner — John Windmuller
Assistant Examiner — John R Yeh

(73) Assignee: **HELEN OF TROY LIMITED**, St.
Michael (BB)

(57) **CLAIM**

(**) Term: **15 Years**

The ornamental design for a retractable broom, as shown
and described.

(21) Appl. No.: **29/592,620**

(22) Filed: **Jan. 31, 2017**

(51) **LOC (11) Cl.** **07-05**

(52) **U.S. Cl.**
USPC **D32/40**

DESCRIPTION

(58) **Field of Classification Search**
USPC D32/15, 40, 45, 50–52, 74; D4/130–133
CPC . A47L 13/10; A47L 13/20; A47L 7/00; A47L
5/24; A47L 13/16; A47L 13/12; B32B
27/04; A01D 7/06

FIG. 1 is a perspective view of the retractable broom in an
extended position;
FIG. 2 is a front view of the retractable broom;
FIG. 3 is a rear view of the retractable broom;
FIG. 4 is a side view of the retractable broom;
FIG. 5 is a top view of the retractable broom;
FIG. 6 is a bottom view of the retractable broom;
FIG. 7 is a perspective view of the retractable broom in a
retracted position;
FIG. 8 is a front view of the retractable broom;
FIG. 9 is a rear view of the retractable broom;
FIG. 10 is a side view of the retractable broom;
FIG. 11 is a top view of the retractable broom; and,
FIG. 12 is a bottom view of the retractable broom.

See application file for complete search history.

The broken lines in the drawings represent portions of the
retractable broom that form no part of the claimed design.

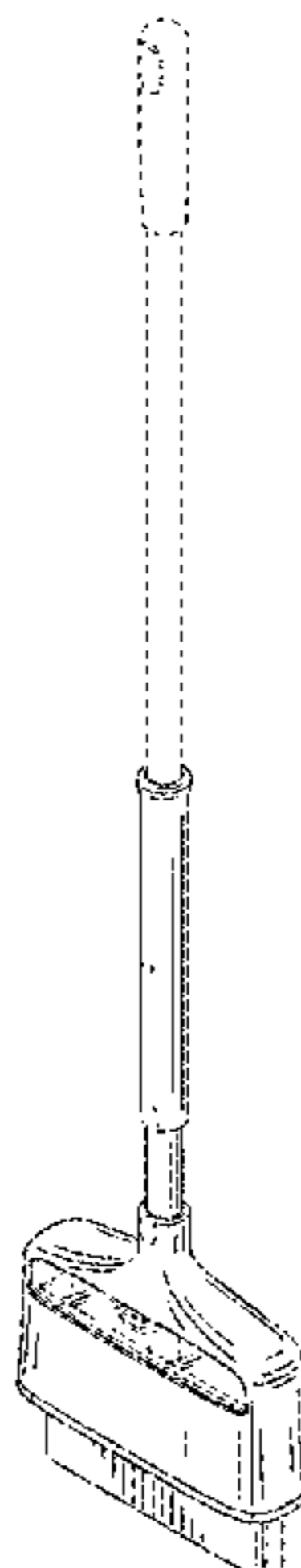
(56) **References Cited**

U.S. PATENT DOCUMENTS

21,842 A * 10/1858 McClay A47L 13/12
15/115
452,358 A * 5/1891 Bishop A47L 13/52
15/257.2
468,433 A * 2/1892 Bishop A47L 13/52
15/257.2

(Continued)

1 Claim, 12 Drawing Sheets



(56)

References Cited

U.S. PATENT DOCUMENTS

1,984,491 A * 12/1934 Ozdobinski A46B 15/00
15/168
1,990,026 A * 2/1935 Glen, Jr. A47L 13/52
15/246
3,029,455 A * 4/1962 Siculan A47L 13/52
15/144.4
3,082,455 A * 3/1963 Evancha A47L 13/52
15/105
3,733,636 A * 5/1973 Osadsky A01B 1/18
15/111
D268,447 S * 3/1983 Sudduth D32/45
D370,322 S * 5/1996 Canni Ferrari D32/31
D383,578 S * 9/1997 Ho D32/22
5,664,279 A * 9/1997 Vosbikian A46B 15/0055
15/168
5,839,145 A * 11/1998 Petner A46B 15/0055
15/105
D406,420 S * 3/1999 Sin D32/22
D420,774 S * 2/2000 Schupp D32/22
6,032,447 A * 3/2000 Shelton A01D 7/10
15/176.6
D424,263 S * 5/2000 Canni Ferrari D32/22
D468,106 S * 1/2003 Robertson D32/74
6,502,381 B2 * 1/2003 Crites A01D 7/10
56/400.12
6,971,138 B2 * 12/2005 Berti A47L 13/52
15/159.1
7,631,387 B2 * 12/2009 Sclafani A46B 7/10
15/41.1
7,707,683 B2 * 5/2010 Nurudeen A46B 7/023
15/159.1
D699,412 S * 2/2014 Smith D32/50

* cited by examiner

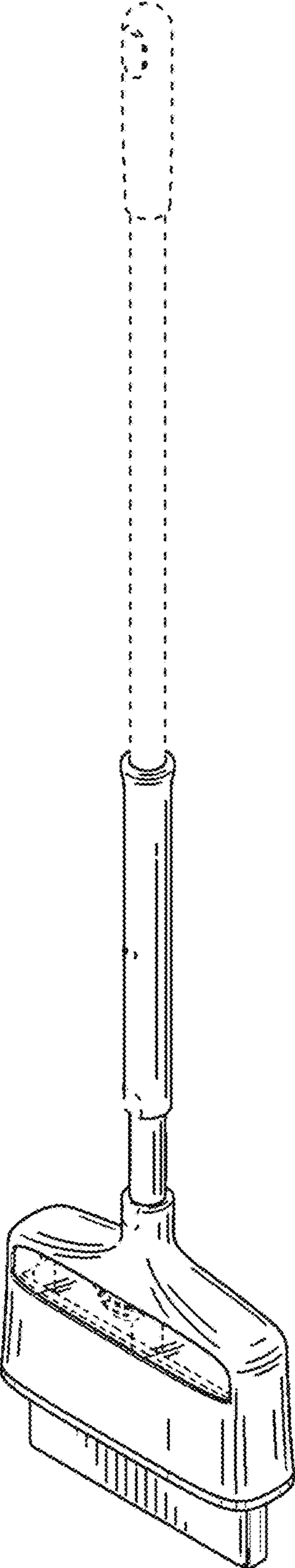


FIG. 1

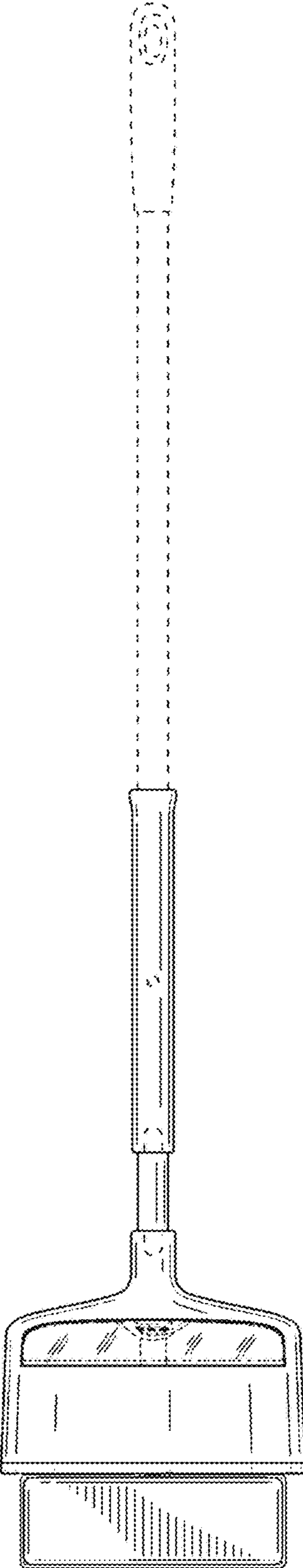


FIG. 2

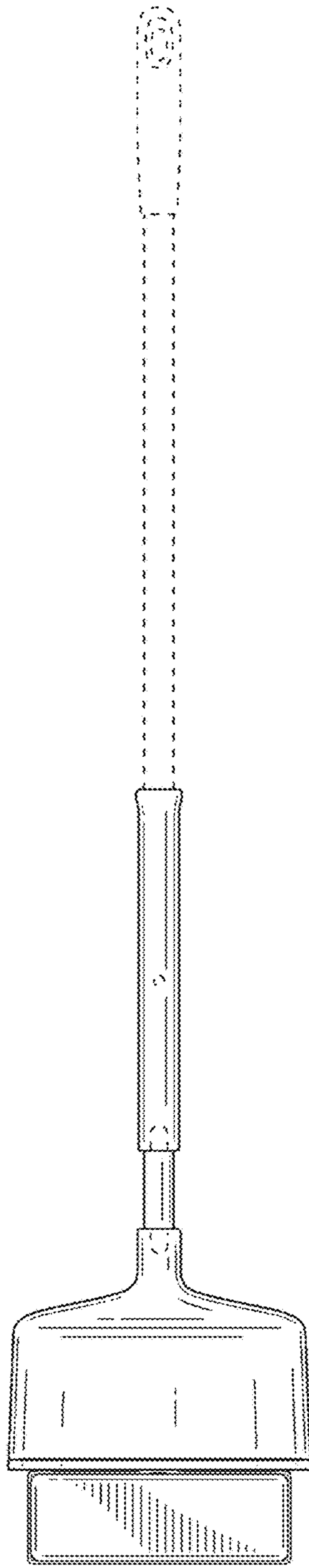


FIG. 3

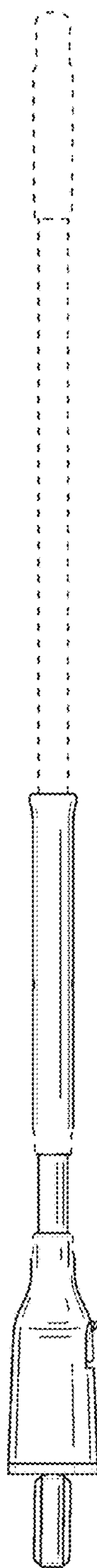


FIG. 4



FIG. 5

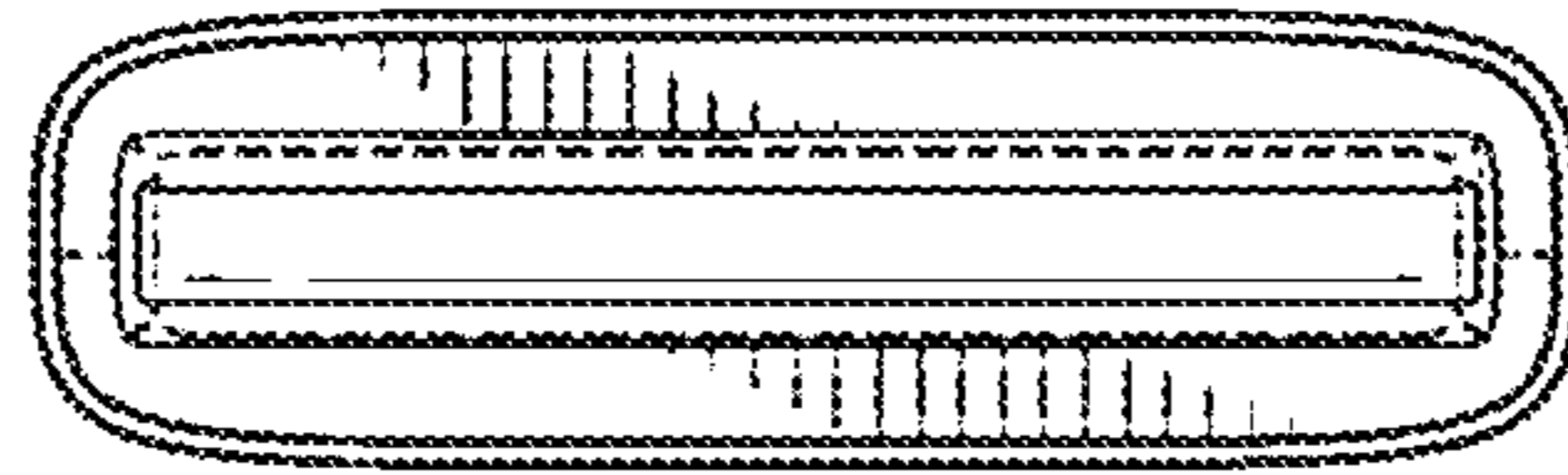


FIG. 6

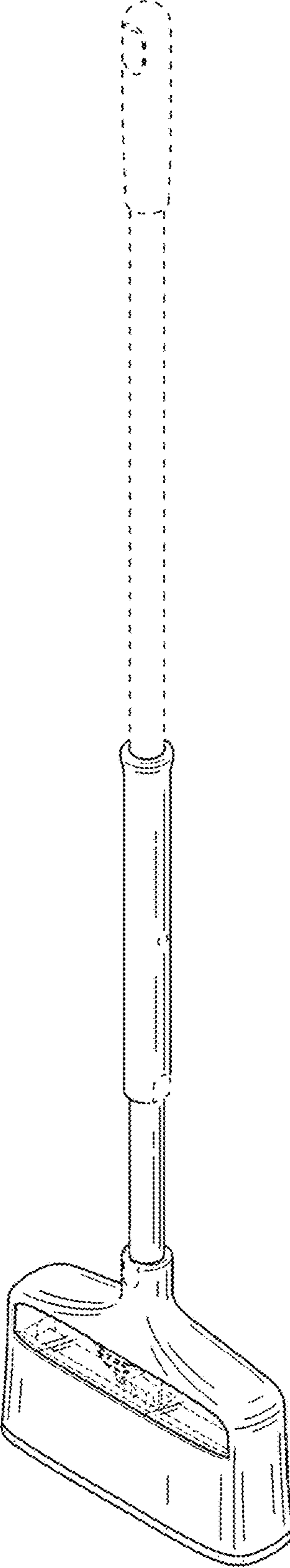


FIG. 7

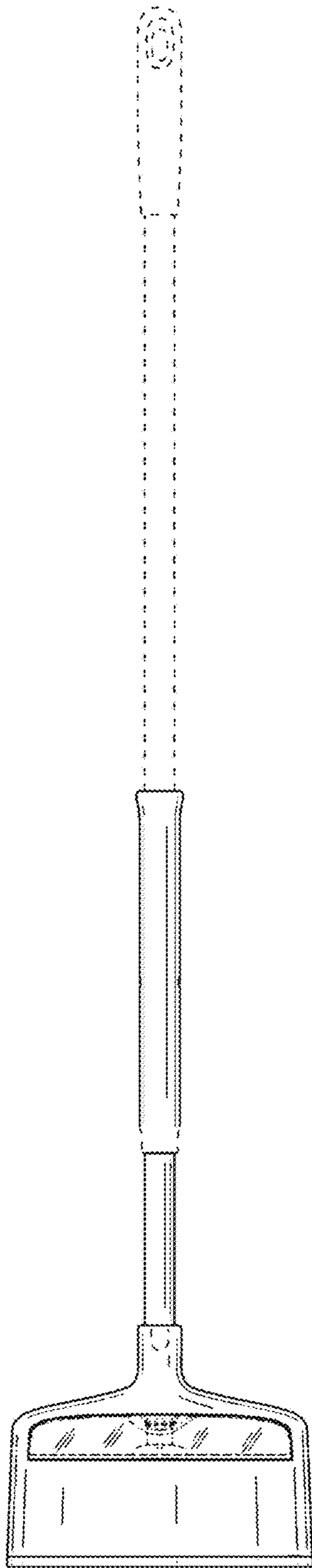


FIG. 8

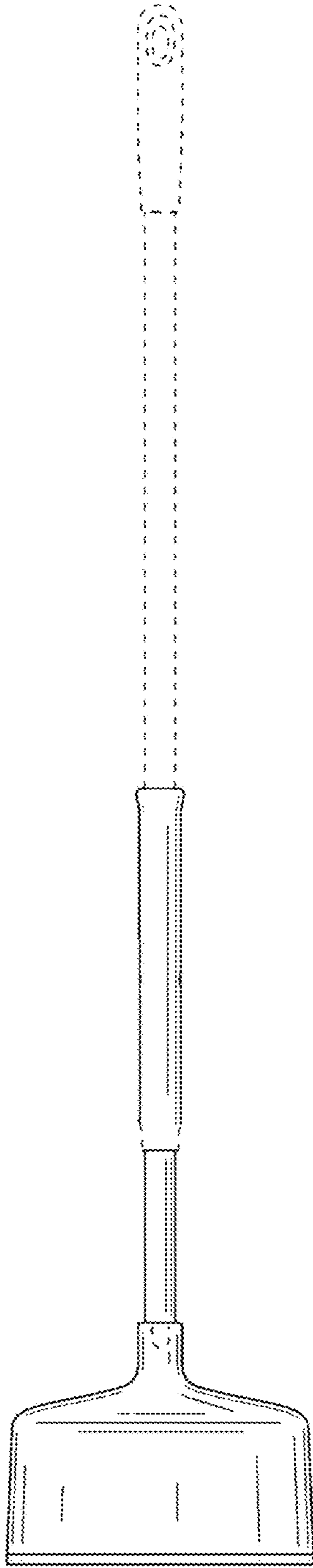


FIG. 9

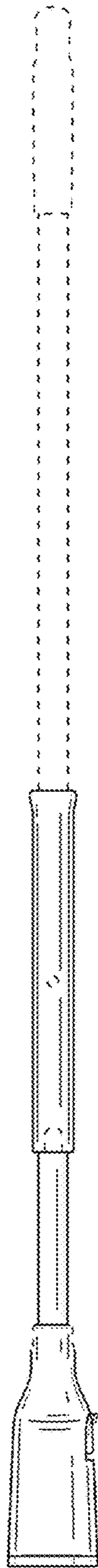


FIG. 10

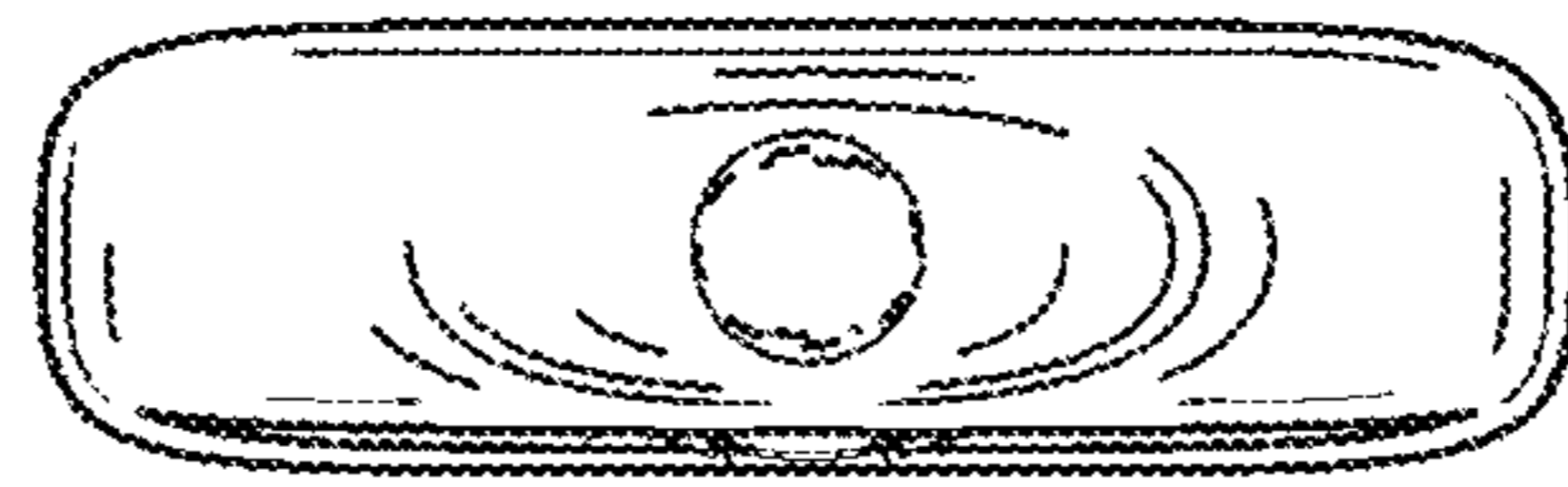


FIG. 11

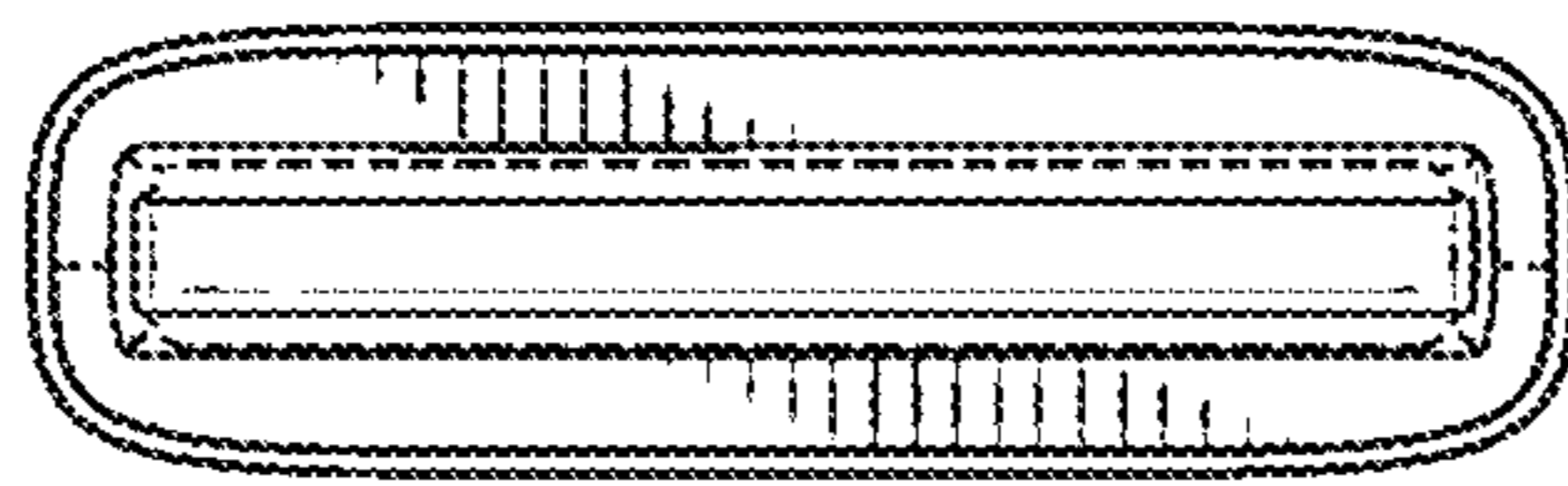


FIG. 12