



US00D832538S

(12) **United States Design Patent**  
**Borut et al.**

(10) **Patent No.:** **US D832,538 S**  
(45) **Date of Patent:** **\*\* Oct. 30, 2018**

(54) **FRONT PANEL FOR DISHWASHER**

(71) Applicant: **GORENJE GOSPODINJSKI APARATI, D.D.**, Velenje (SI)

(72) Inventors: **Kerzic Borut**, Ljubljana (SI); **Pritrznik Lidija**, Velenje (SI); **Bajt Uros**, Ljubljana (SI)

(73) Assignee: **GORENJE gospodinjski aparati, d.d.**, Velenje (SI)

(\*\*) Term: **15 Years**

(21) Appl. No.: **35/502,646**

(22) Filed: **Sep. 15, 2016**

(80) **Hague Agreement Data**

Int. Filing Date: **Sep. 15, 2016**

Int. Reg. No.: **DM/095137**

Int. Reg. Date: **Sep. 15, 2016**

Int. Reg. Pub. Date: **Mar. 17, 2017**

(51) **LOC (11) Cl.** ..... **15-05**

(52) **U.S. Cl.**  
USPC ..... **D32/28**

(58) **Field of Classification Search**  
USPC ..... D32/1, 2, 3, 28  
CPC ..... A47L 15/50; A47L 15/504; A47L 15/505;  
A47L 15/501; A47L 15/0084; A47L  
15/503; A47L 15/44  
See application file for complete search history.

(56) **References Cited**

U.S. PATENT DOCUMENTS

D481,179 S \* 10/2003 Wendt ..... D3/309  
D506,855 S \* 6/2005 Compagnucci ..... D32/3  
D640,842 S \* 6/2011 Eng ..... D32/3  
D665,957 S \* 8/2012 Eng ..... D32/2  
D667,596 S \* 9/2012 Berberet ..... D32/3  
D668,402 S \* 10/2012 Eng ..... D32/3

D668,403 S \* 10/2012 Eng ..... D32/3  
D668,404 S \* 10/2012 Eng ..... D32/3  
D670,457 S \* 11/2012 Eng ..... D32/3  
D675,386 S \* 1/2013 Burrows ..... D32/3  
D683,504 S \* 5/2013 Clores ..... D32/3  
D725,325 S \* 3/2015 Lee ..... D32/3  
D725,851 S \* 3/2015 Lee ..... D32/3  
D758,026 S \* 5/2016 Choi ..... D32/3  
D761,500 S \* 7/2016 Feddema ..... D32/3  
D762,019 S \* 7/2016 Ferencevich ..... D32/3  
D763,523 S \* 8/2016 Roberson ..... D32/3  
D765,923 S \* 9/2016 Roberson ..... D32/3  
D767,832 S \* 9/2016 Roberson ..... D32/3  
D770,696 S \* 11/2016 Roberson ..... D32/3  
D773,751 S \* 12/2016 Hederstierna ..... D32/3  
D778,007 S \* 1/2017 Roberson ..... D32/3  
D778,512 S \* 2/2017 Roberson ..... D32/3  
D796,750 S \* 9/2017 Hederstierna ..... D32/3  
D796,751 S \* 9/2017 Grobleben ..... D32/3  
D800,398 S \* 10/2017 Haft ..... D32/3  
D801,601 S \* 10/2017 Kim ..... D32/3  
D802,230 S \* 11/2017 Shoemaker ..... D32/2  
D802,231 S \* 11/2017 Criner ..... D32/3  
D803,491 S \* 11/2017 Kahwaji ..... D32/3  
D808,598 S \* 1/2018 Baldwin ..... D32/3  
D809,220 S \* 1/2018 Jacobs ..... D32/3

\* cited by examiner

*Primary Examiner* — Michael A. Pratt

(74) *Attorney, Agent, or Firm* — Studebaker & Brackett PC

(57) **CLAIM**

The ornamental design for a front panel for dishwasher, as shown and described.

**DESCRIPTION**

2.-4. Front panel for dishwasher

2.1 : Front

2.2 : Perspective

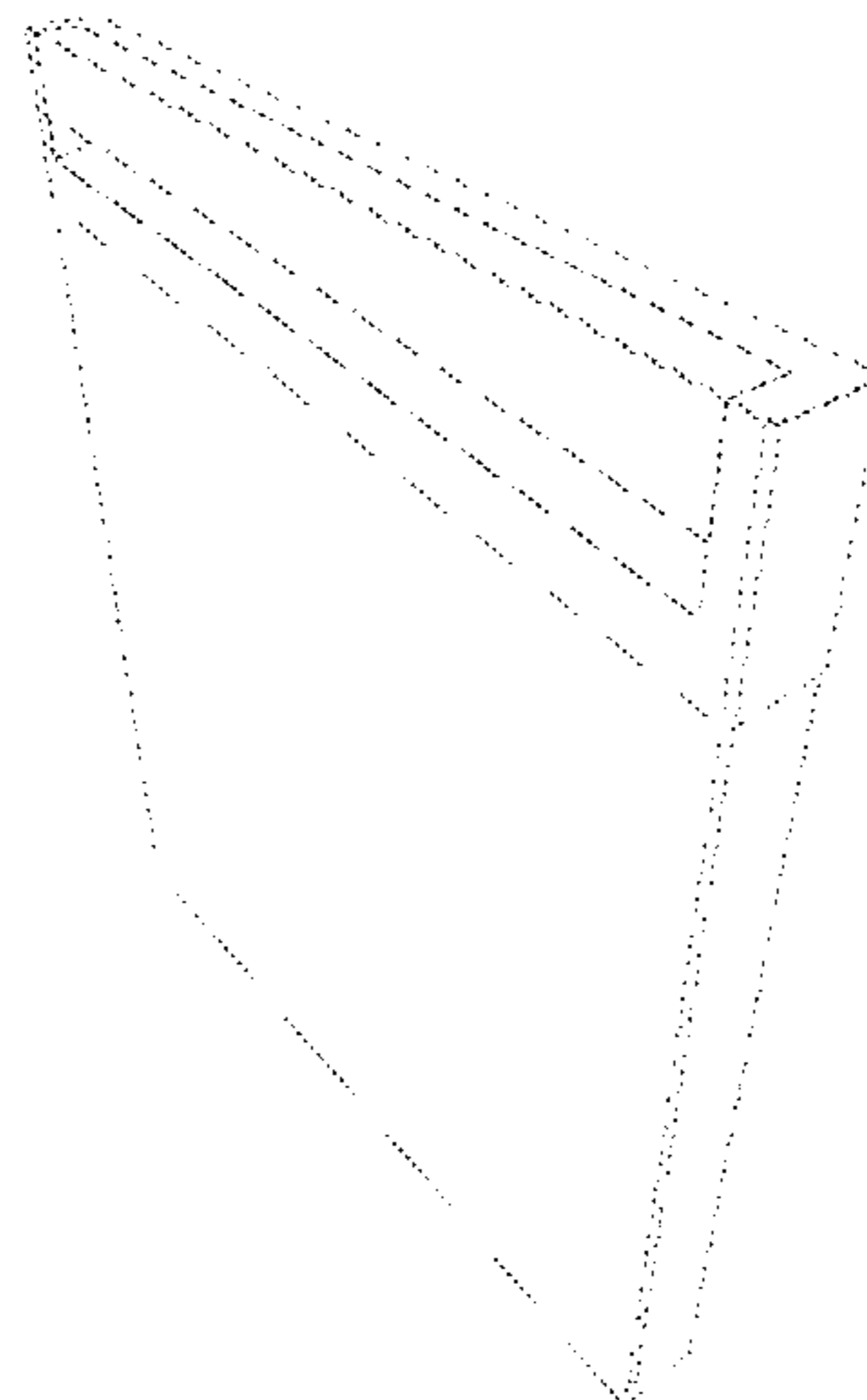
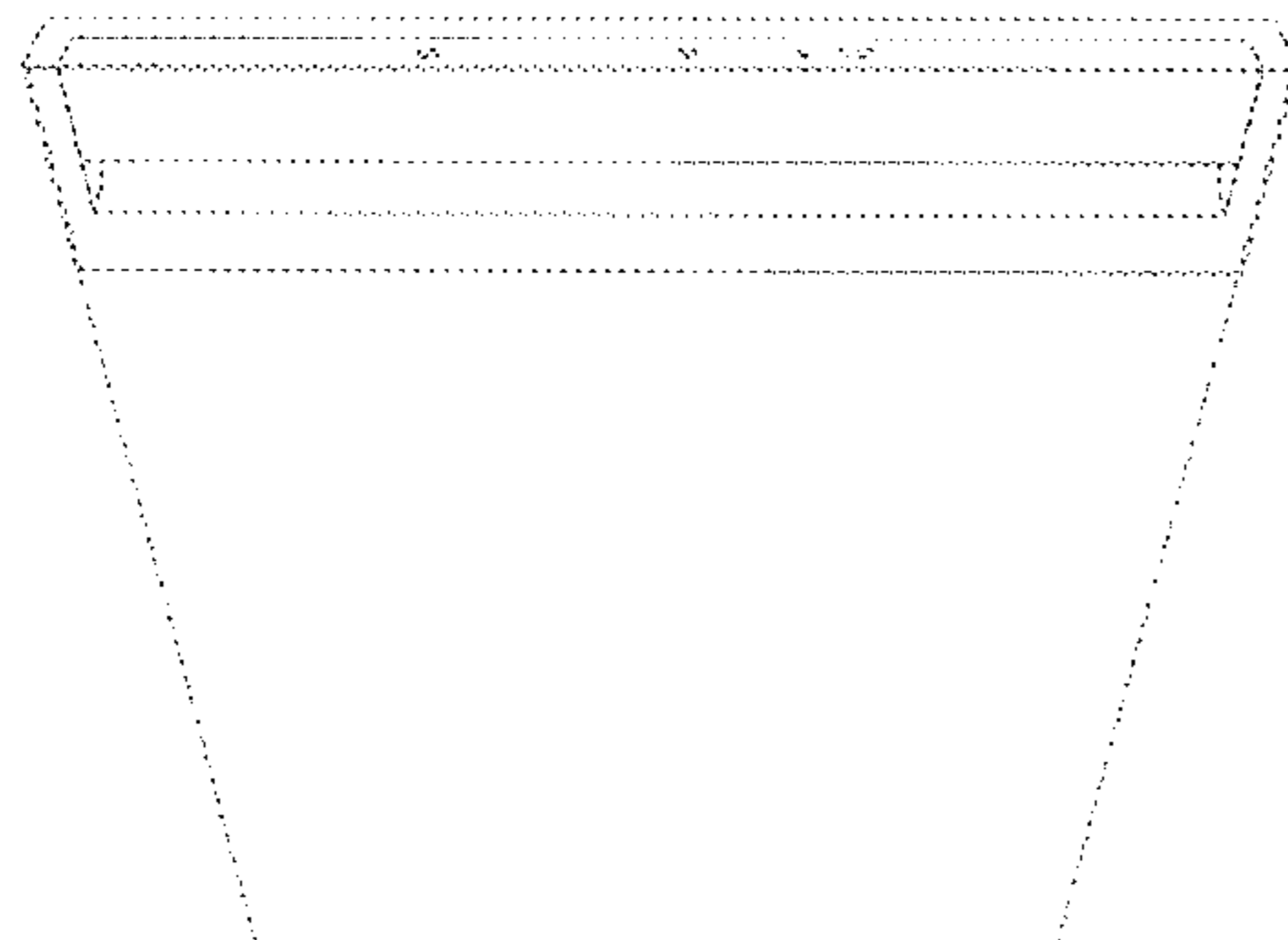
3.1 : Front

3.2 : Perspective

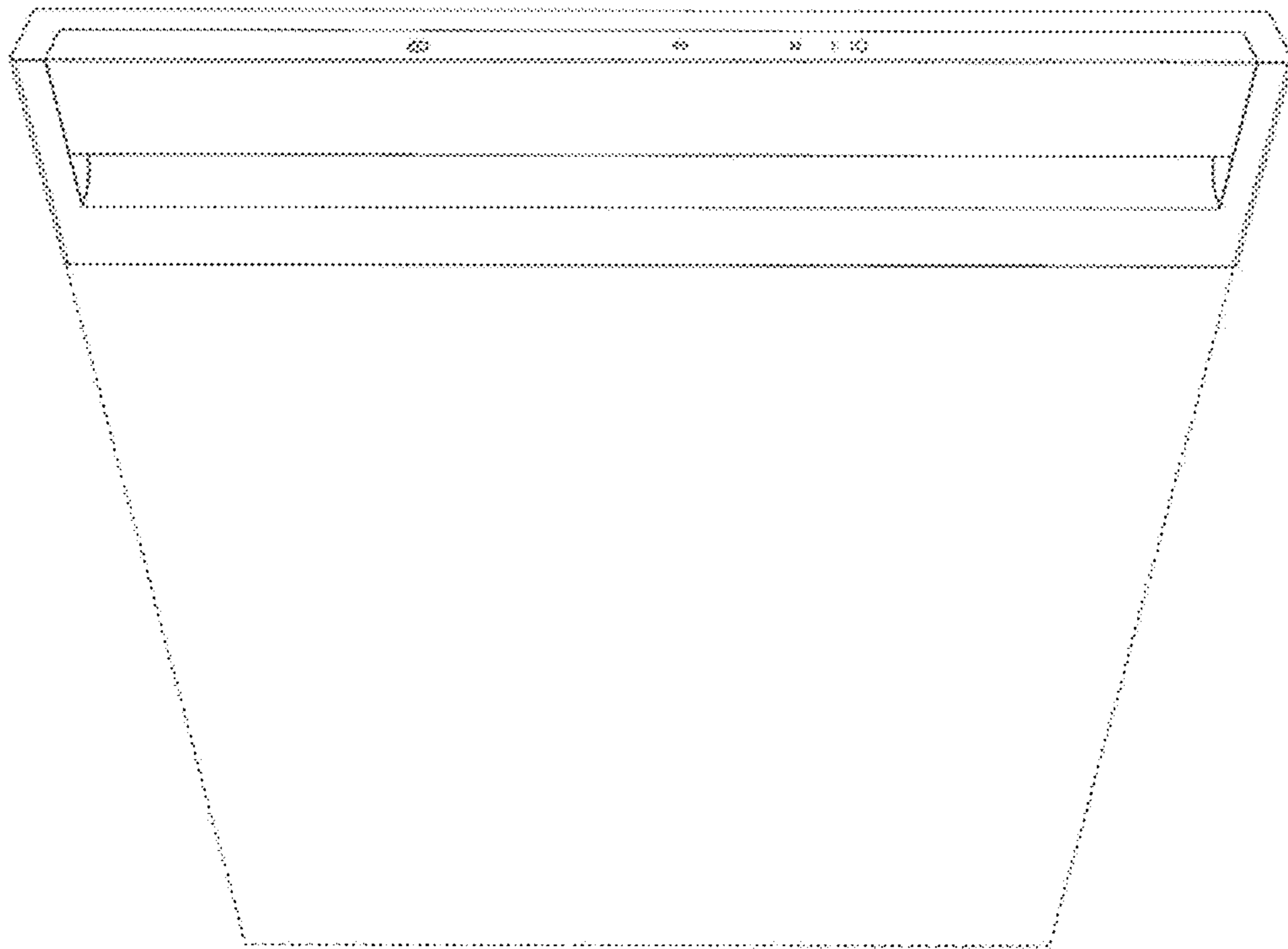
4.1 : Front

4.2 : Perspective

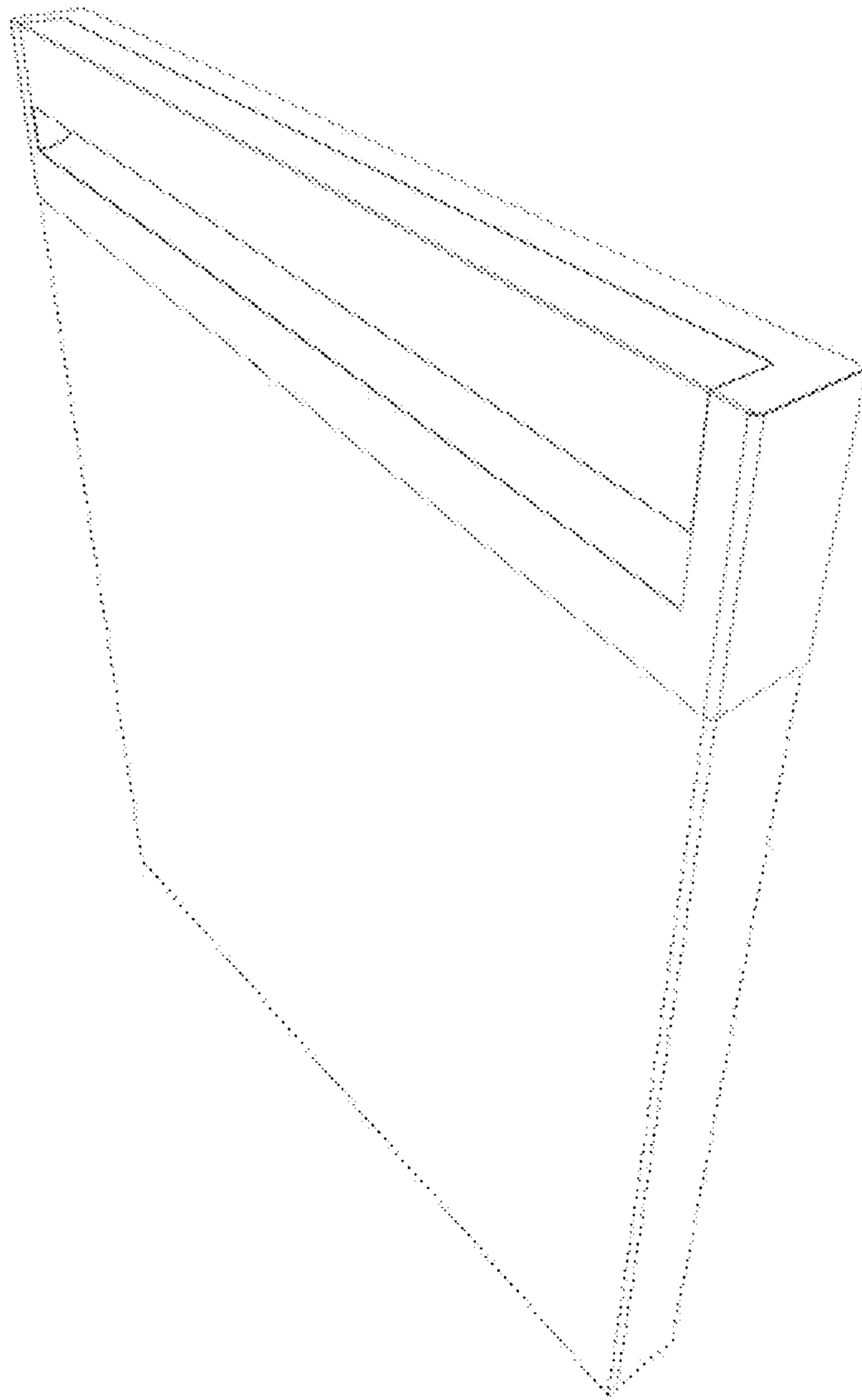
**1 Claim, 6 Drawing Sheets**



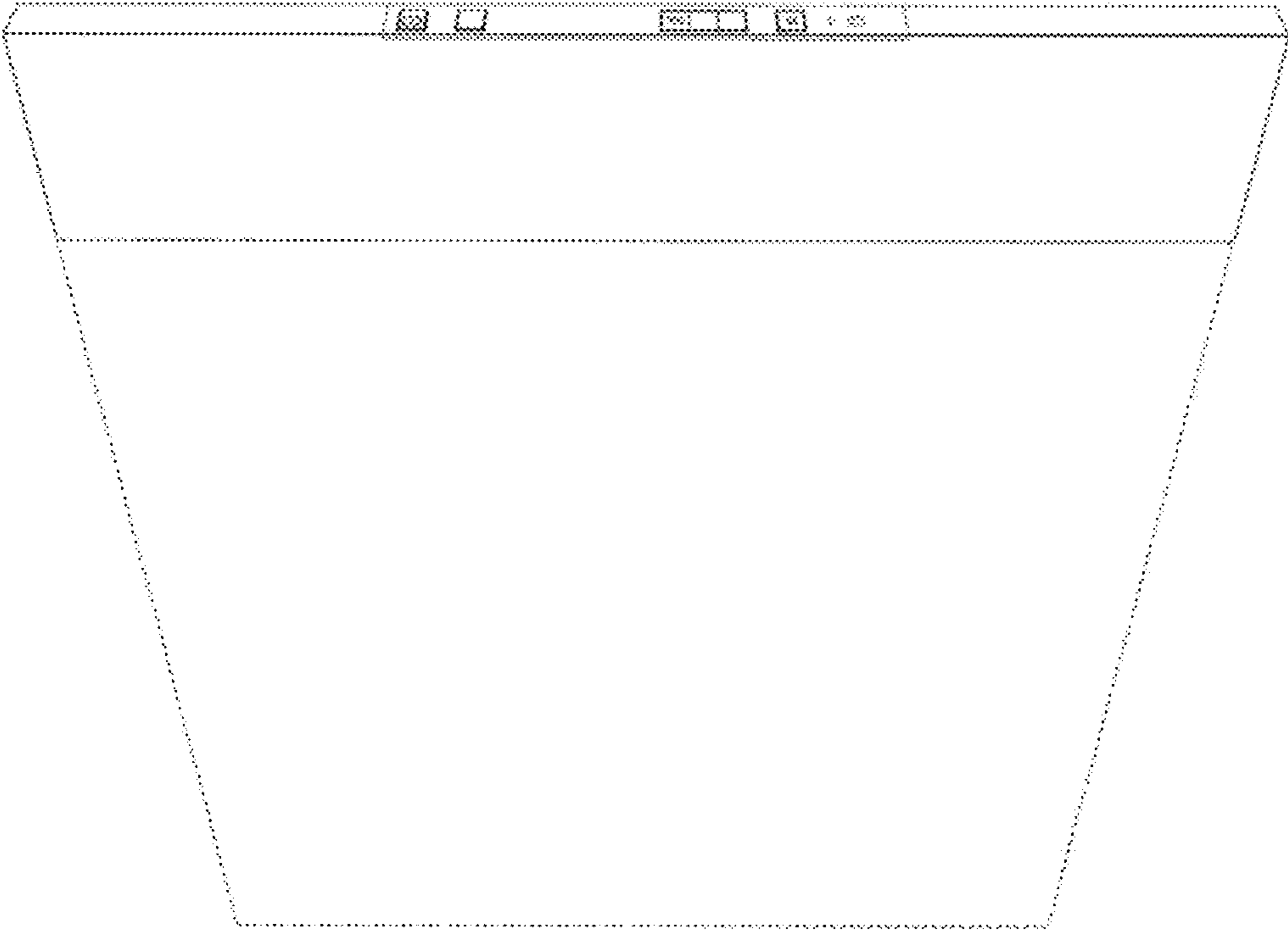
2.1



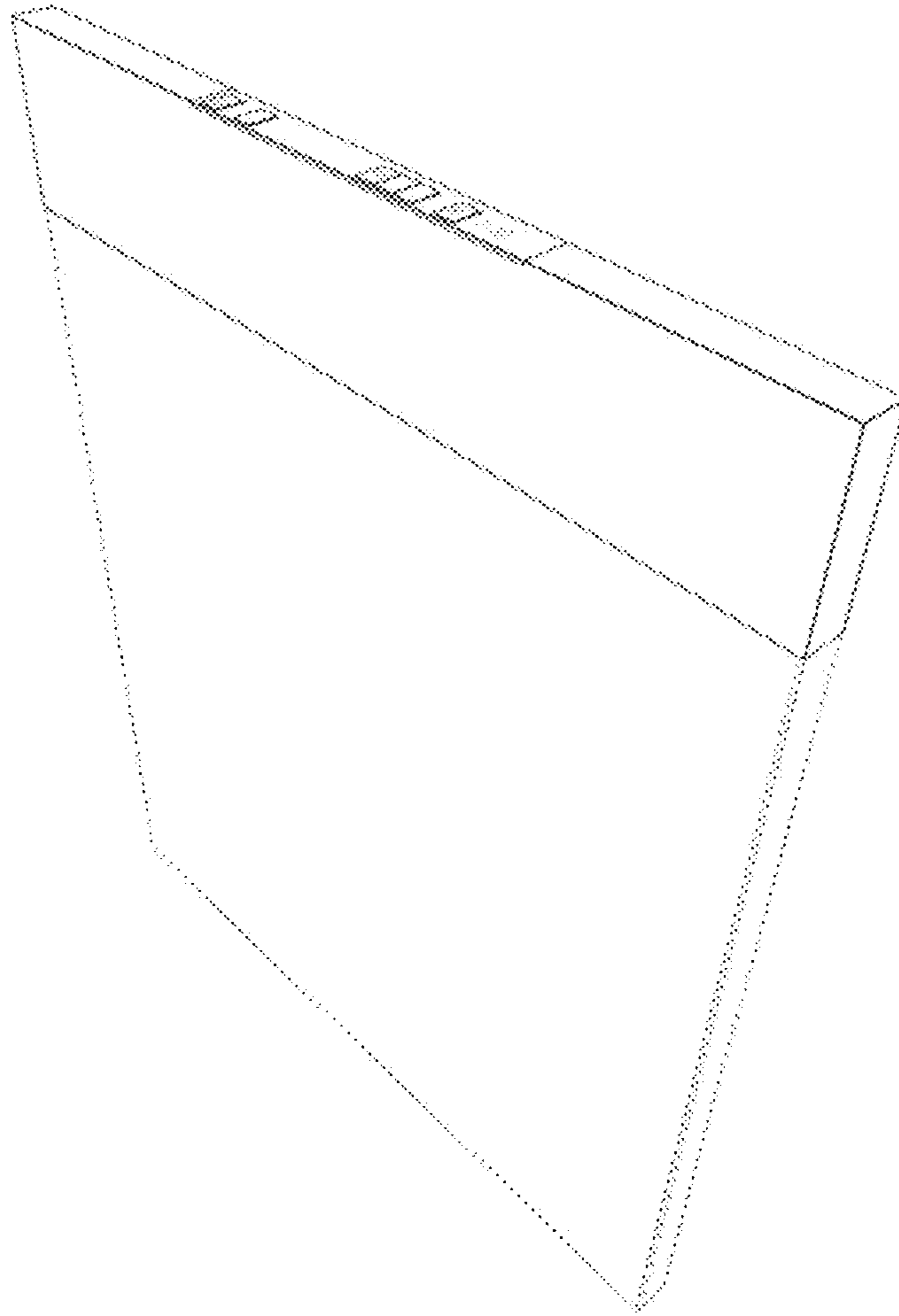
2.2



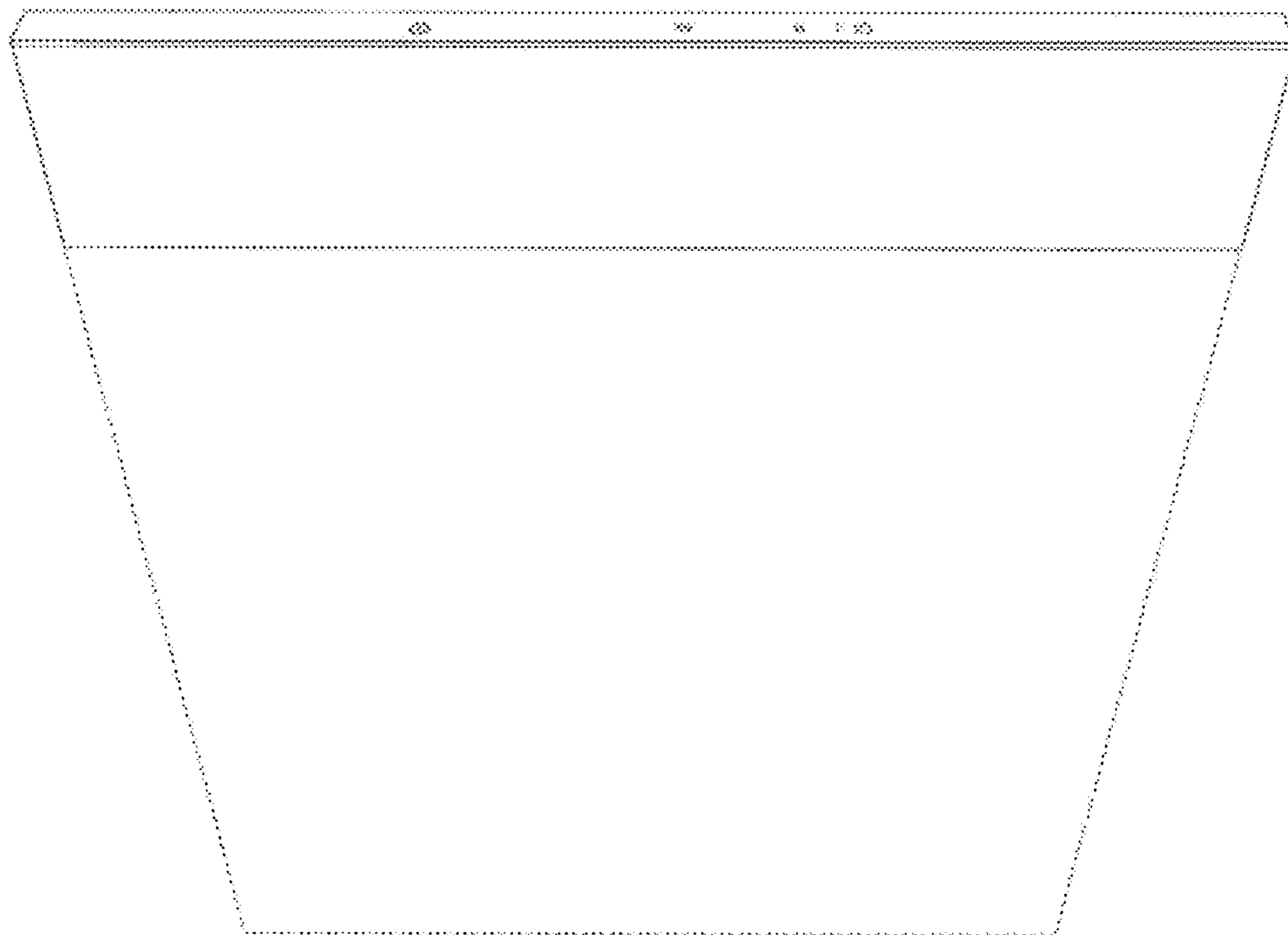
**3.1**



3.2



4.1



4.2

