



US00D832535S

(12) **United States Design Patent** (10) **Patent No.:** **US D832,535 S**  
**Ha et al.** (45) **Date of Patent:** **\*\* \*Oct. 30, 2018**

(54) **DOOR FOR WASHING MACHINE**

(56) **References Cited**

(71) Applicant: **LG ELECTRONICS INC.**, Seoul (KR)

U.S. PATENT DOCUMENTS

(72) Inventors: **Youngsoo Ha**, Seoul (KR); **Taewoo Yoo**, Seoul (KR); **Eunyoung Chee**, Seoul (KR); **Jeaseok Seong**, Seoul (KR)

D506,045 S *	6/2005	No	.....	D32/25
D515,260 S *	2/2006	Ha	.....	D32/25
D517,262 S *	3/2006	Ha	.....	D32/25
D517,263 S *	3/2006	Ha	.....	D32/25
D544,157 S *	6/2007	Crookshanks	.....	D32/25
D592,367 S *	5/2009	Crookshanks	.....	D32/25
D688,429 S *	8/2013	Meda	.....	D32/25
D688,430 S *	8/2013	Meda	.....	D32/25
D690,479 S *	9/2013	Geyer	.....	D32/25
D698,508 S *	1/2014	Cho	.....	D32/25
D700,409 S *	2/2014	Takahashi	.....	D32/25
D713,610 S *	9/2014	Geyer	.....	D32/25
D730,602 S *	5/2015	Choi	.....	D32/25
D731,131 S *	6/2015	Ha	.....	D32/25
D732,767 S *	6/2015	Ha	.....	D32/25
D732,768 S *	6/2015	Choi	.....	D32/25
D749,806 S *	2/2016	Hwang	.....	D32/25
D758,681 S *	6/2016	Park	.....	D32/25

(73) Assignee: **LG ELECTRONICS INC.**, Seoul (KR)

(\*) Notice: This patent is subject to a terminal disclaimer.

(\*\*) Term: **15 Years**

(21) Appl. No.: **35/502,557**

(22) Filed: **Sep. 6, 2016**

(80) **Hague Agreement Data**

Int. Filing Date: **Sep. 6, 2016**  
Int. Reg. No.: **DM/092453**  
Int. Reg. Date: **Sep. 6, 2016**  
Int. Reg. Pub. Date: **Mar. 10, 2017**

(30) **Foreign Application Priority Data**

Mar. 16, 2016 (KR) ..... 30-2016-0012171

(51) **LOC (11) Cl.** ..... **15-05**

(52) **U.S. Cl.**  
USPC ..... **D32/25**

(58) **Field of Classification Search**

USPC ..... D32/1, 5, 6, 8, 10, 25, 28  
CPC ..... D06F 3/02; D06F 2204/065; D06F 25/00;  
D06F 35/006; D06F 37/28; D06F 39/14;  
D06F 58/00; D06F 58/02; D06F 58/04;  
D06F 58/20; D06F 23/04; G05B 19/042

See application file for complete search history.

(Continued)

*Primary Examiner* — Darlington Ly

(74) *Attorney, Agent, or Firm* — Birch, Stewart, Kolasch & Birch, LLP

(57) **CLAIM**

The ornamental design for a door for washing machine, as shown and described.

**DESCRIPTION**

1. Door for washing machine

**1.1** is a top, front, and left side perspective view of a door for washing machine showing our new design;

**1.2** is a front elevation view thereof;

**1.3** is a rear elevation view thereof;

**1.4** is a left side elevation view thereof;

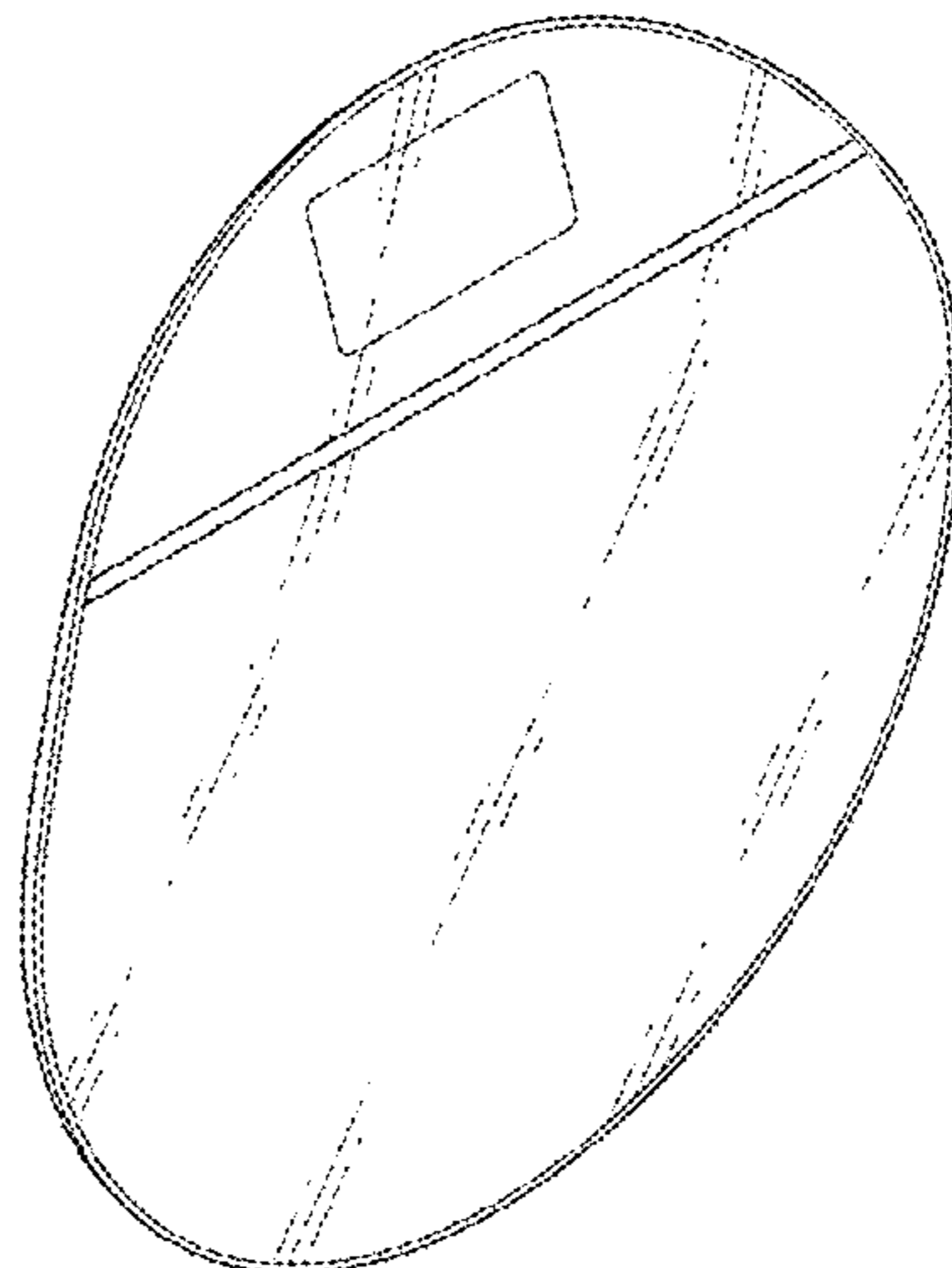
**1.5** is a right side elevation view thereof;

**1.6** is a top plan view thereof; and

**1.7** is a bottom plan view thereof.

The broken lines in the reproductions illustrate portions of the door for washing machine that form no part of the claimed design.

**1 Claim, 7 Drawing Sheets**



(56)

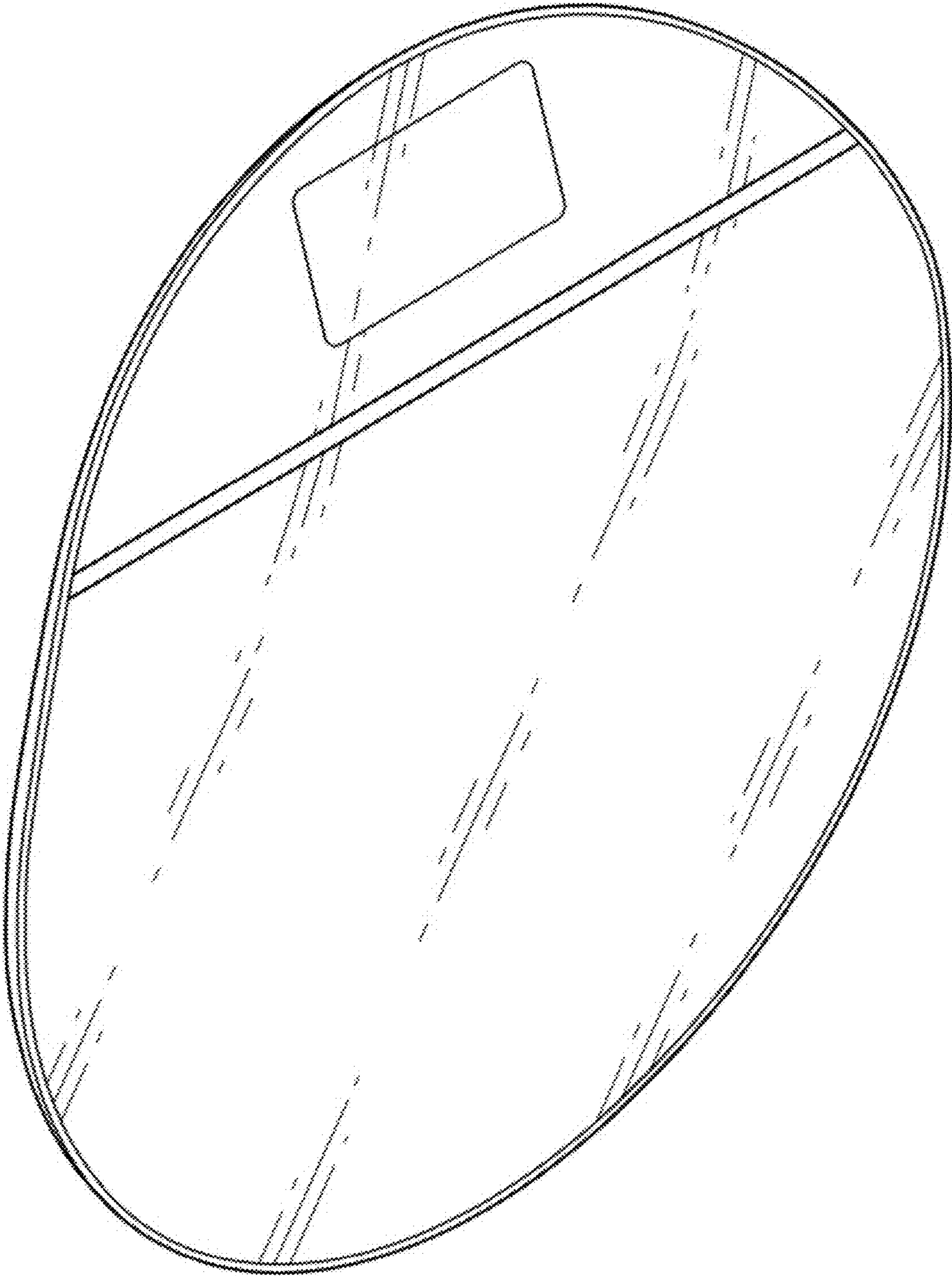
**References Cited**

U.S. PATENT DOCUMENTS

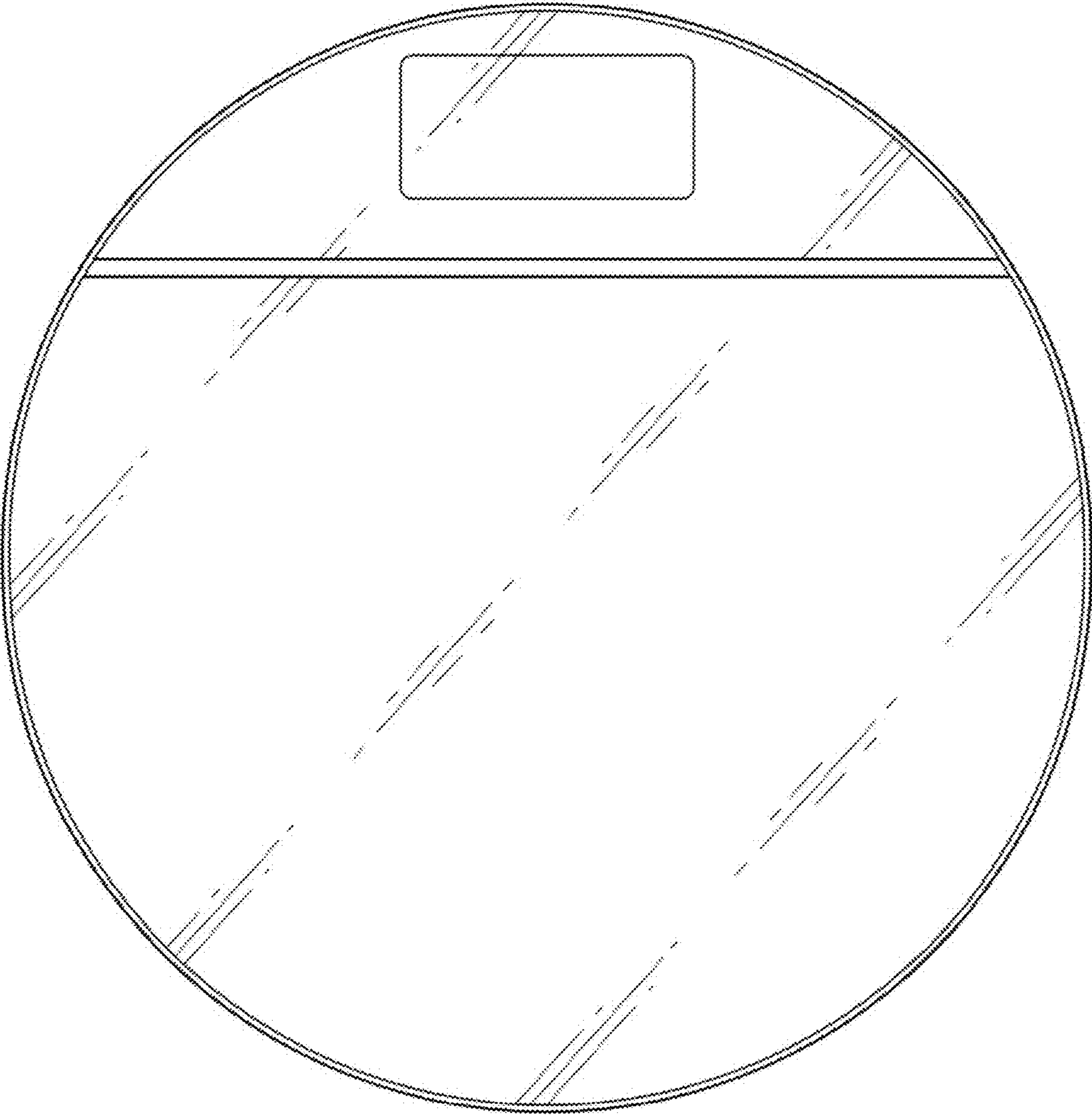
D758,682 S *	6/2016	Kim .....	D32/25
D771,886 S *	11/2016	Hwang .....	D32/25
D772,503 S *	11/2016	Yun .....	D32/25
D777,386 S *	1/2017	Armstrong .....	D32/25
2003/0046964 A1 *	3/2003	Bollmann .....	D06F 37/28 68/139

\* cited by examiner

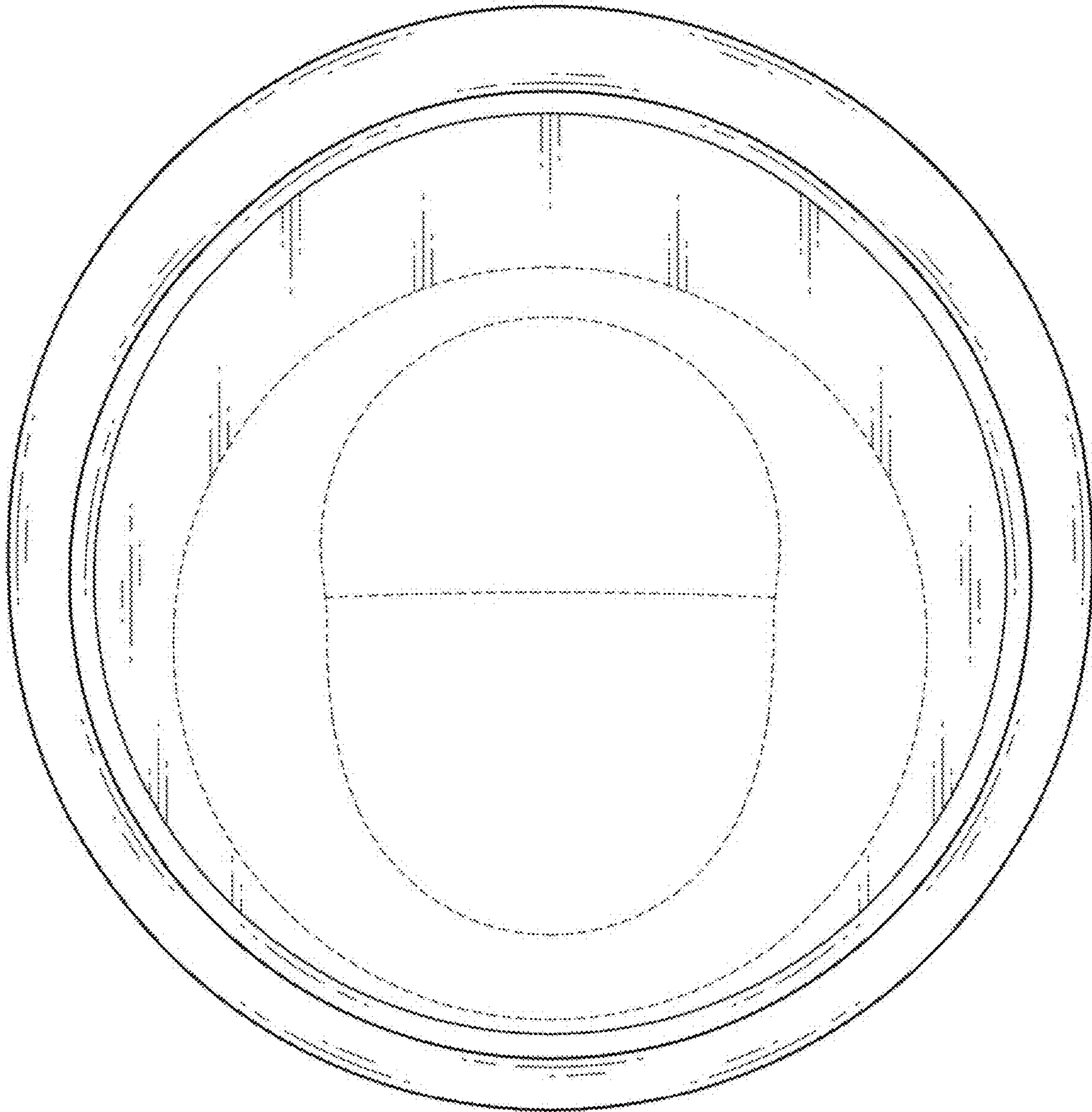
1.1



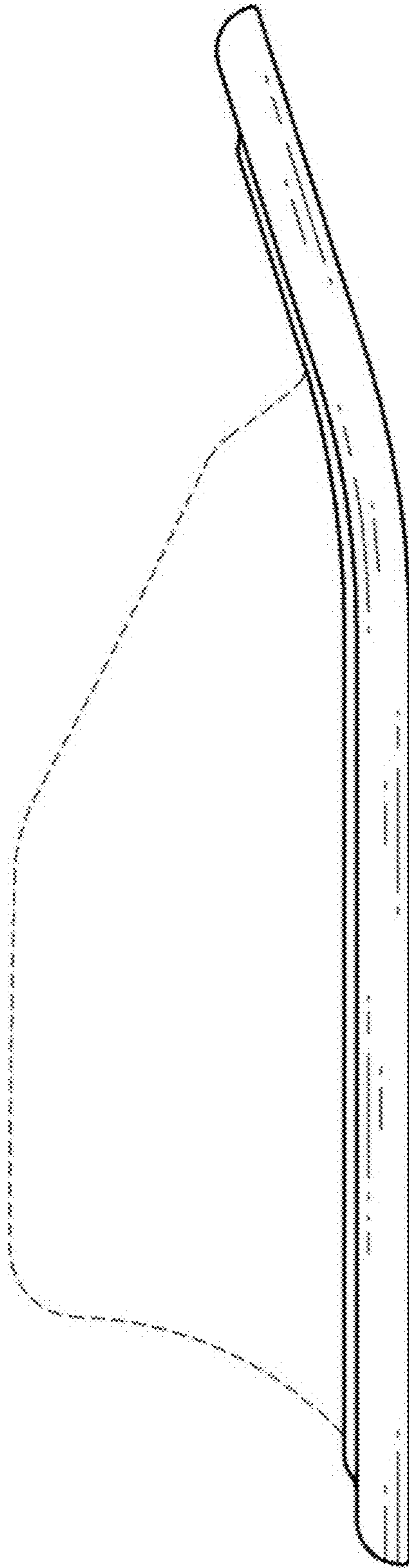
1.2



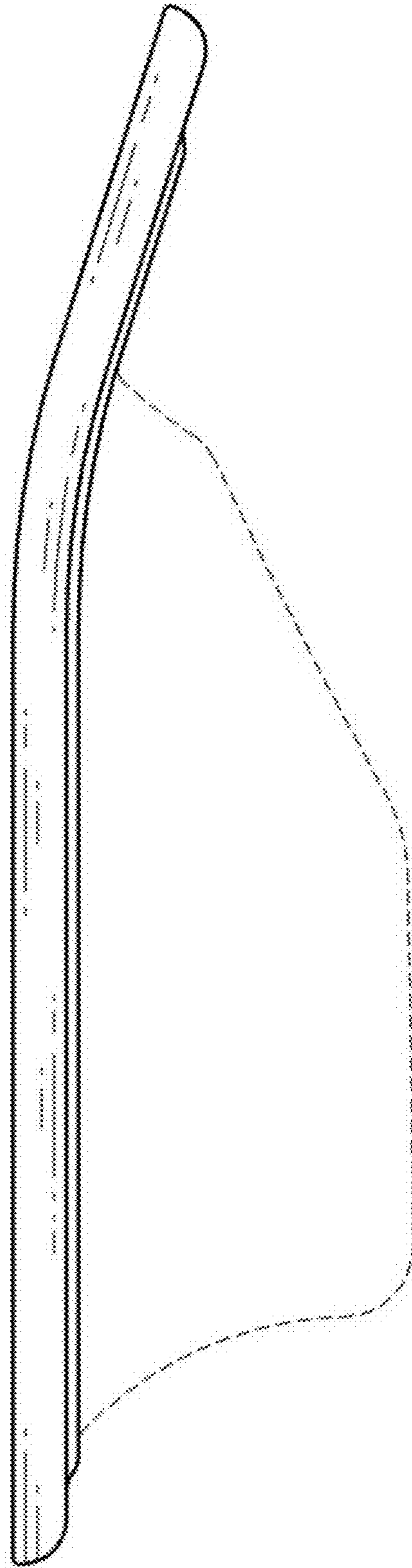
1.3



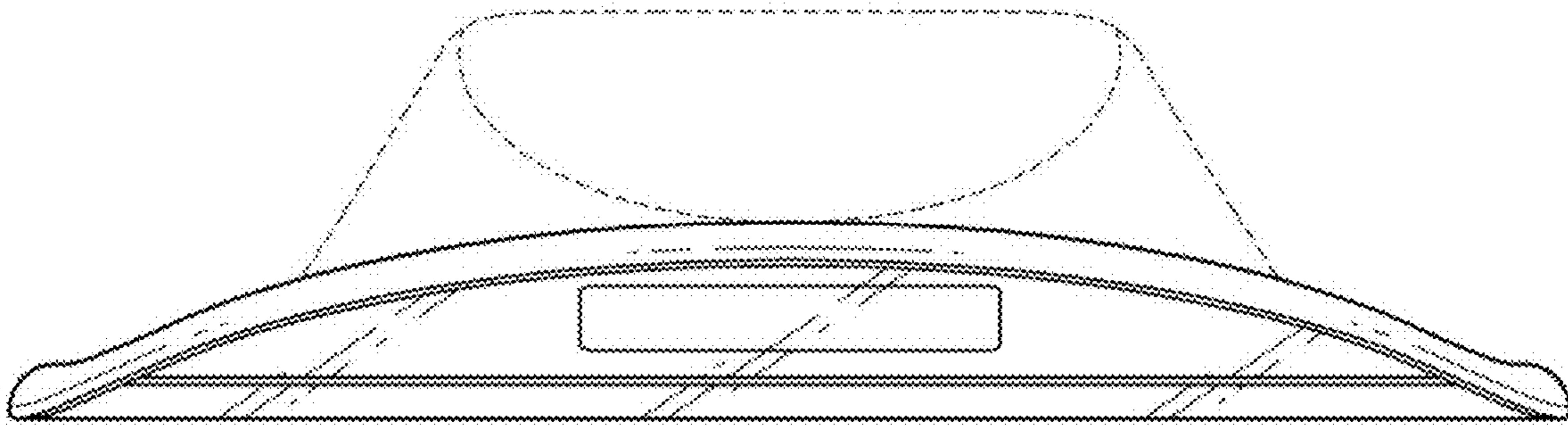
1.4



1.5



1.6





1.7

