



US00D832532S

(12) **United States Design Patent**
Geller

(10) **Patent No.:** **US D832,532 S**

(45) **Date of Patent:** **** Oct. 30, 2018**

(54) **PET TRAINING DEVICE**

(71) Applicant: **Tamar Geller**, Los Angeles, CA (US)

(72) Inventor: **Tamar Geller**, Los Angeles, CA (US)

(**) Term: **15 Years**

(21) Appl. No.: **29/580,845**

(22) Filed: **Oct. 13, 2016**

(51) **LOC (11) Cl.** **30-99**

(52) **U.S. Cl.**

USPC **D30/160**; D30/121; D11/90

(58) **Field of Classification Search**

USPC D30/108, 121, 124, 160; D1/106;
D11/89, 90, 164; D7/396.2, 321;
D9/307, 535, 546, 566; D26/153, 154;
215/136

CPC A10K 15/02; A10K 15/025; A10K 15/026;
B65D 41/00; A63H 33/18

See application file for complete search history.

(56) **References Cited**

U.S. PATENT DOCUMENTS

| | | | | |
|--------------|---------|------------|-------|------------|
| D79,944 S * | 11/1929 | Teague | | D9/546 |
| D81,167 S * | 5/1930 | Teague | | D9/566 |
| D81,602 S * | 7/1930 | Teague | | D9/546 |
| D97,681 S * | 12/1935 | Larsen | | D19/93 |
| D124,598 S * | 1/1941 | Brodovitch | | D11/90 |
| D178,925 S * | 10/1956 | March | | D9/430 |
| D214,132 S * | 5/1969 | Niemoller | | D21/373 |
| D239,534 S * | 4/1976 | Michaeli | | 52/DIG. 10 |
| D277,455 S * | 2/1985 | Tordjman | | D9/439 |
| D288,410 S * | 2/1987 | Crowell | | D9/418 |
| D289,142 S * | 4/1987 | Bijaoui | | D9/439 |
| D328,247 S * | 7/1992 | Robineau | | D7/321 |
| D359,997 S * | 7/1995 | Knudsen | | D21/505 |
| D369,558 S * | 5/1996 | Heinz | | D9/546 |
| D369,758 S * | 5/1996 | Remidio | | D11/90 |
| D369,978 S * | 5/1996 | Mohamed | | D9/529 |
| D374,640 S * | 10/1996 | Shryock | | D11/143 |

| | | | | |
|---------------|---------|--------------|-------|------------------------|
| D382,486 S * | 8/1997 | Heinz | | D9/439 |
| 5,758,604 A * | 6/1998 | Jørgensen | | A01K 15/025 119/711 |
| D399,611 S * | 10/1998 | Ericson | | D30/124 |
| D412,386 S * | 7/1999 | De Manjarrez | | D19/96 |
| 6,039,563 A * | 3/2000 | Hardy | | F21V 35/00 206/503 |
| D429,544 S * | 8/2000 | Terry, III | | 30/2 |
| D477,219 S * | 7/2003 | Waterhouse | | D9/430 |
| D477,227 S * | 7/2003 | Goswell | | D9/529 |
| D503,012 S * | 3/2005 | Schonbek | | D26/154 |
| D505,521 S * | 5/2005 | Schrodt | | 119/51.01 |
| D507,966 S * | 8/2005 | Abgarian | | D9/416 |
| D515,728 S * | 2/2006 | Yando | | D26/142 |
| D525,559 S * | 7/2006 | Aoyagi | | D11/90 |
| D526,084 S * | 8/2006 | Yando | | D26/153 |
| D529,377 S * | 10/2006 | Heiss | | D9/431 |
| D531,080 S * | 10/2006 | Swarovski | | D11/90 |

(Continued)

Primary Examiner — Barbara Fox

Assistant Examiner — Mehri F Bajoul

(74) *Attorney, Agent, or Firm* — Omni Legal Group;
Omid E. Khalifeh; Ariona K. Sontoro

(57) **CLAIM**

The ornamental design for a pet training device, as shown and described.

DESCRIPTION

FIG. 1 is a perspective view of a pet training device showing the new design;

FIG. 2 is a first elevational view thereof;

FIG. 3 is a second elevational view thereof;

FIG. 4 is a third elevational view thereof;

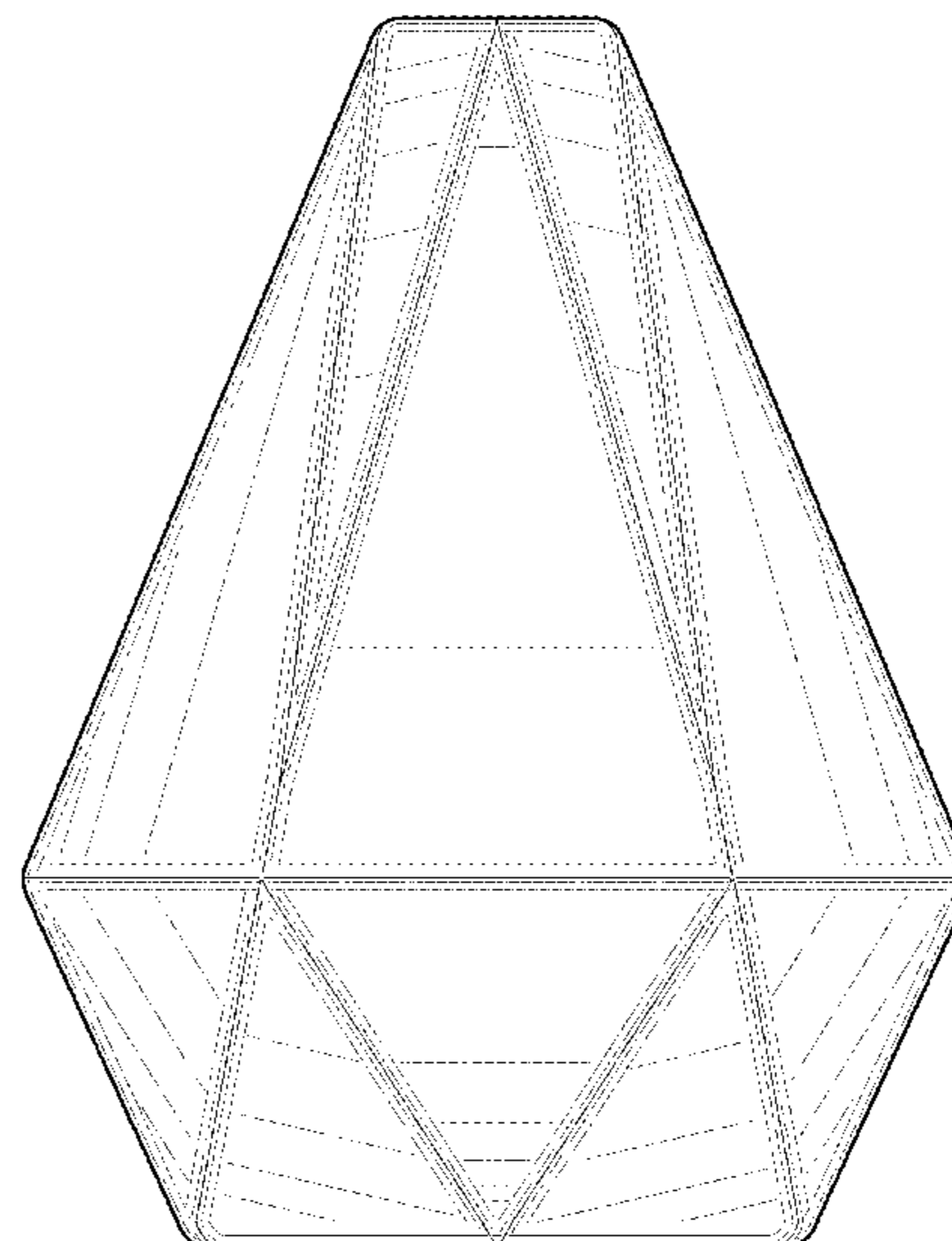
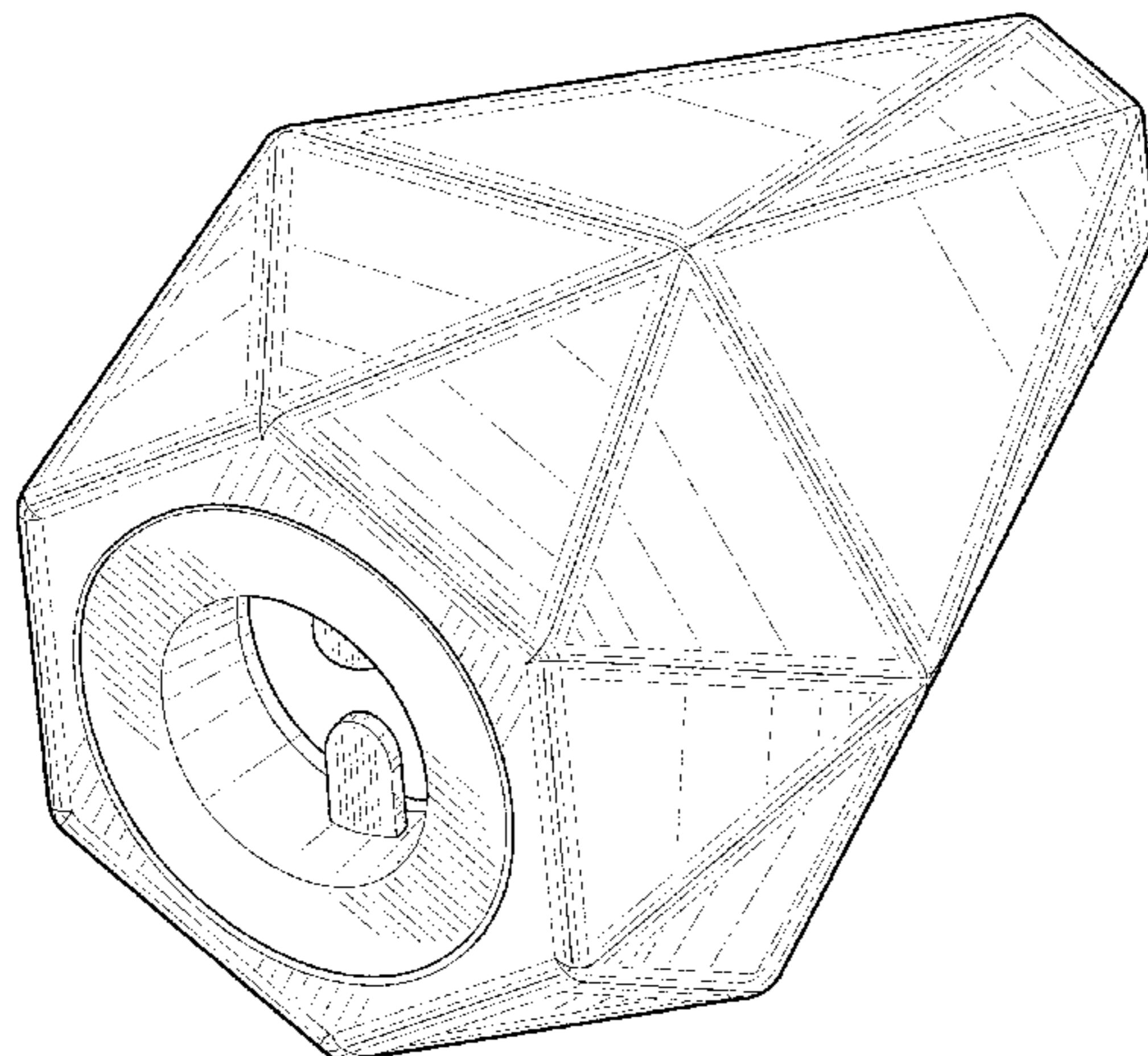
FIG. 5 is a fourth elevational view thereof;

FIG. 6 is a front view thereof; and,

FIG. 7 is a rear view thereof.

The broken lines in the drawings depict portions of a pet training device and form no part of the claimed design.

1 Claim, 7 Drawing Sheets



(56)

References Cited

U.S. PATENT DOCUMENTS

D531,229 S * 10/2006 Vanbeneden D21/386
7,234,253 B2 * 6/2007 Ossmann G09F 1/06
40/124.03
D546,230 S * 7/2007 Swarovski D11/90
D546,508 S * 7/2007 Robertson 119/51.03
D562,180 S * 2/2008 Siebenberg D11/90
D601,029 S * 9/2009 Wagner D9/535
D632,027 S * 2/2011 Johnston D30/121
D657,919 S * 4/2012 Papworth D30/128
D658,533 S * 5/2012 Neuner D11/89
D667,595 S * 9/2012 Johnston D30/121
D671,324 S * 11/2012 Maddadi D3/314
D678,436 S * 3/2013 Kulzer D21/694
D682,361 S * 5/2013 Lander D21/373
D694,147 S * 11/2013 Richter D11/89
D694,947 S * 12/2013 Liang D26/125
D698,259 S * 1/2014 Ngjelo D9/546
D701,468 S * 3/2014 Schweiger D11/89
D714,653 S * 10/2014 Tussy D9/651
D734,674 S * 7/2015 Tussy D9/651
D737,689 S * 9/2015 Monteparo D9/435
D748,599 S * 2/2016 Lehaneur D14/204
D767,442 S * 9/2016 Berdan D11/90
D769,769 S * 10/2016 Hasenfeld D11/90
D789,747 S * 6/2017 Hume D7/509
D789,777 S * 6/2017 Sotto D8/378
D790,924 S * 7/2017 Hume D7/523
2011/0266248 A1 * 11/2011 Popiel B65D 1/0223
215/316

* cited by examiner

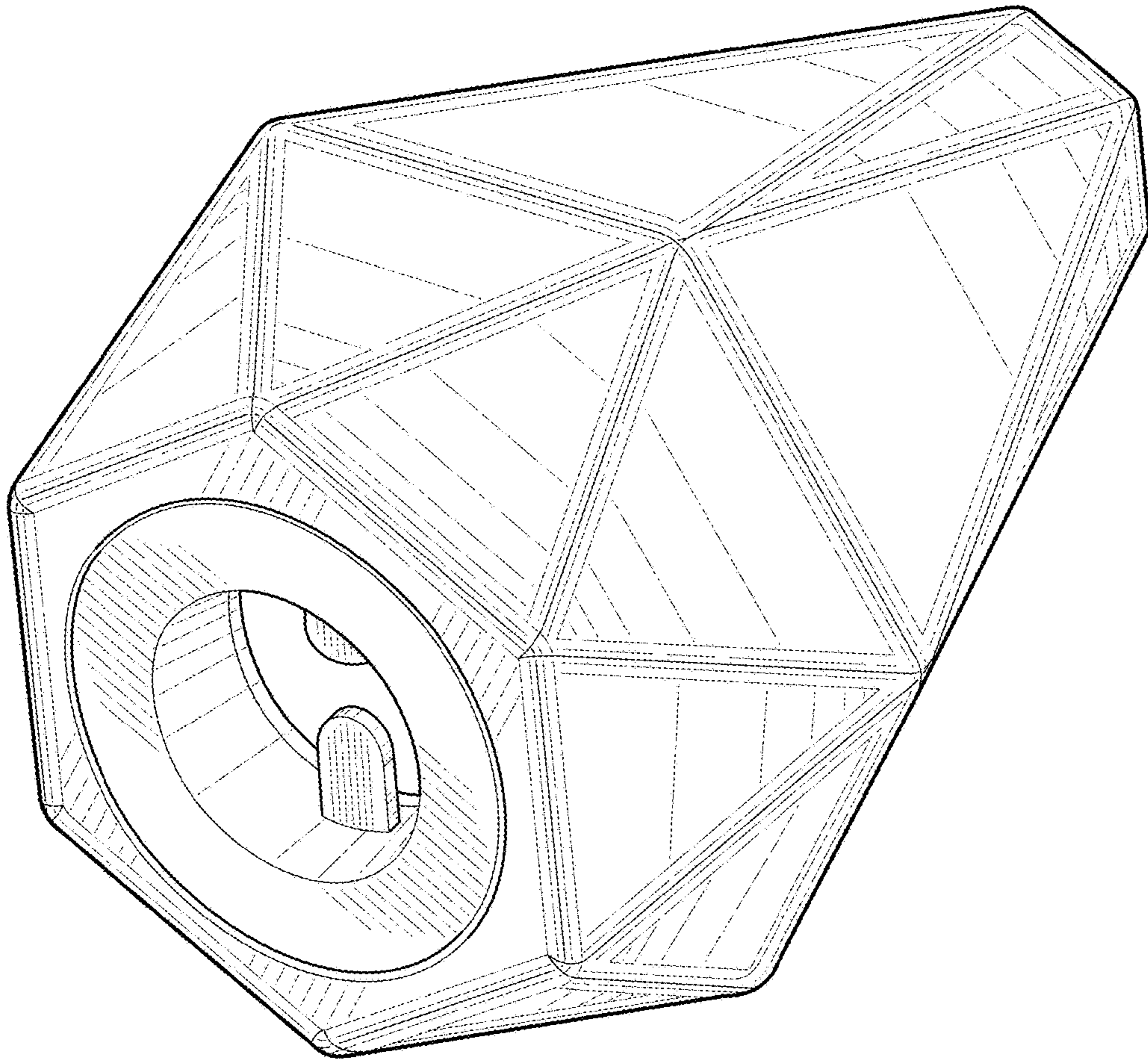


FIG. 1

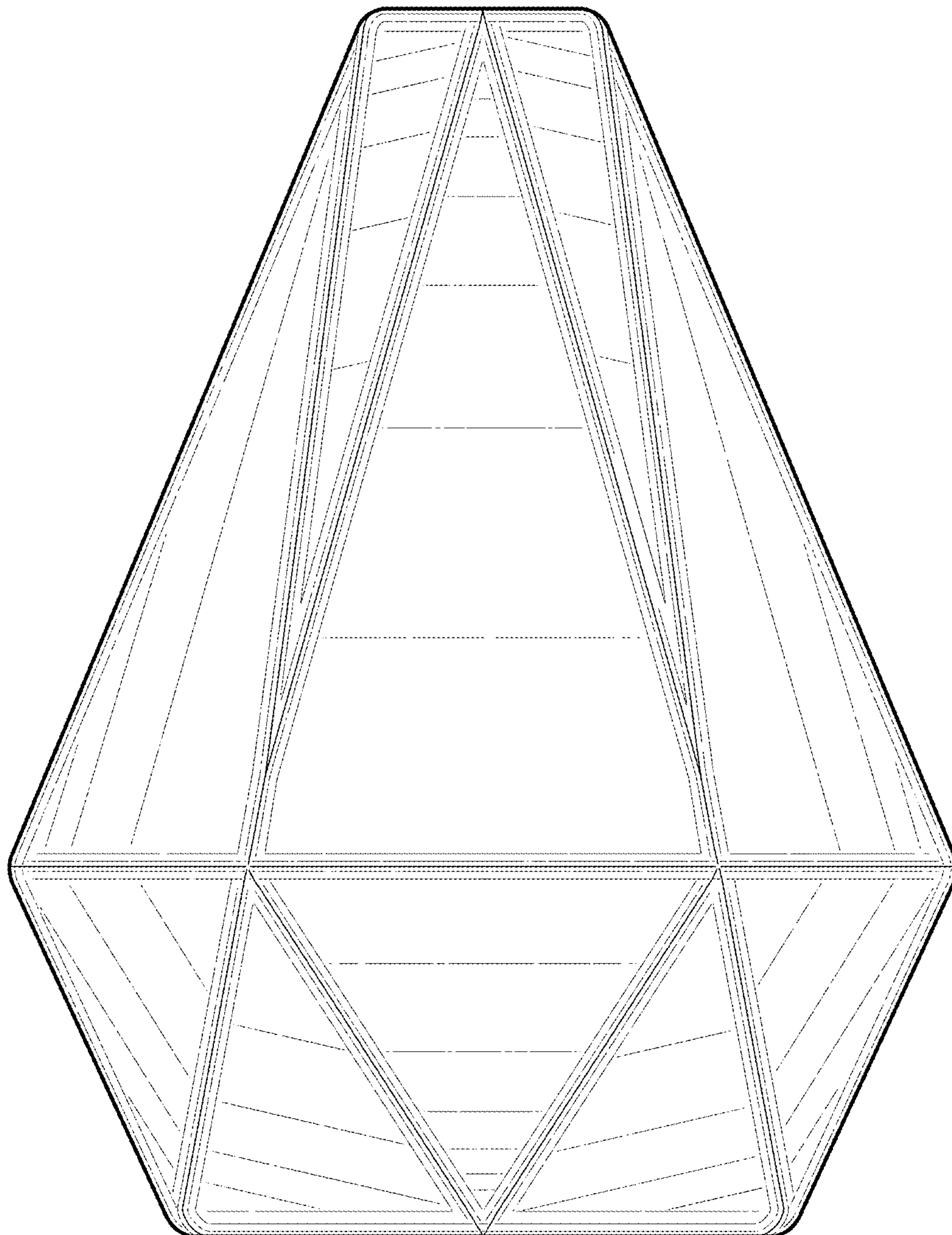


FIG. 2

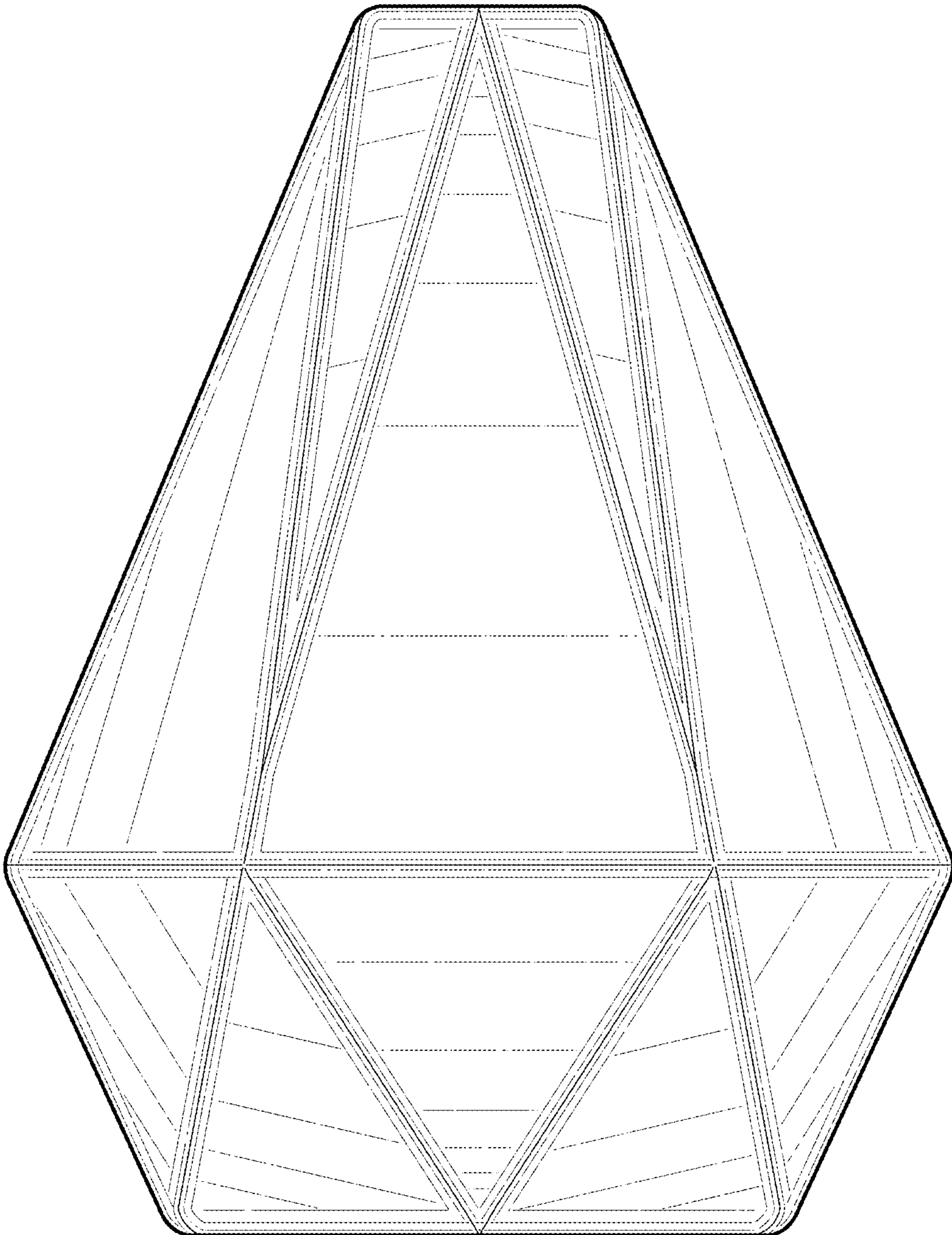


FIG. 3

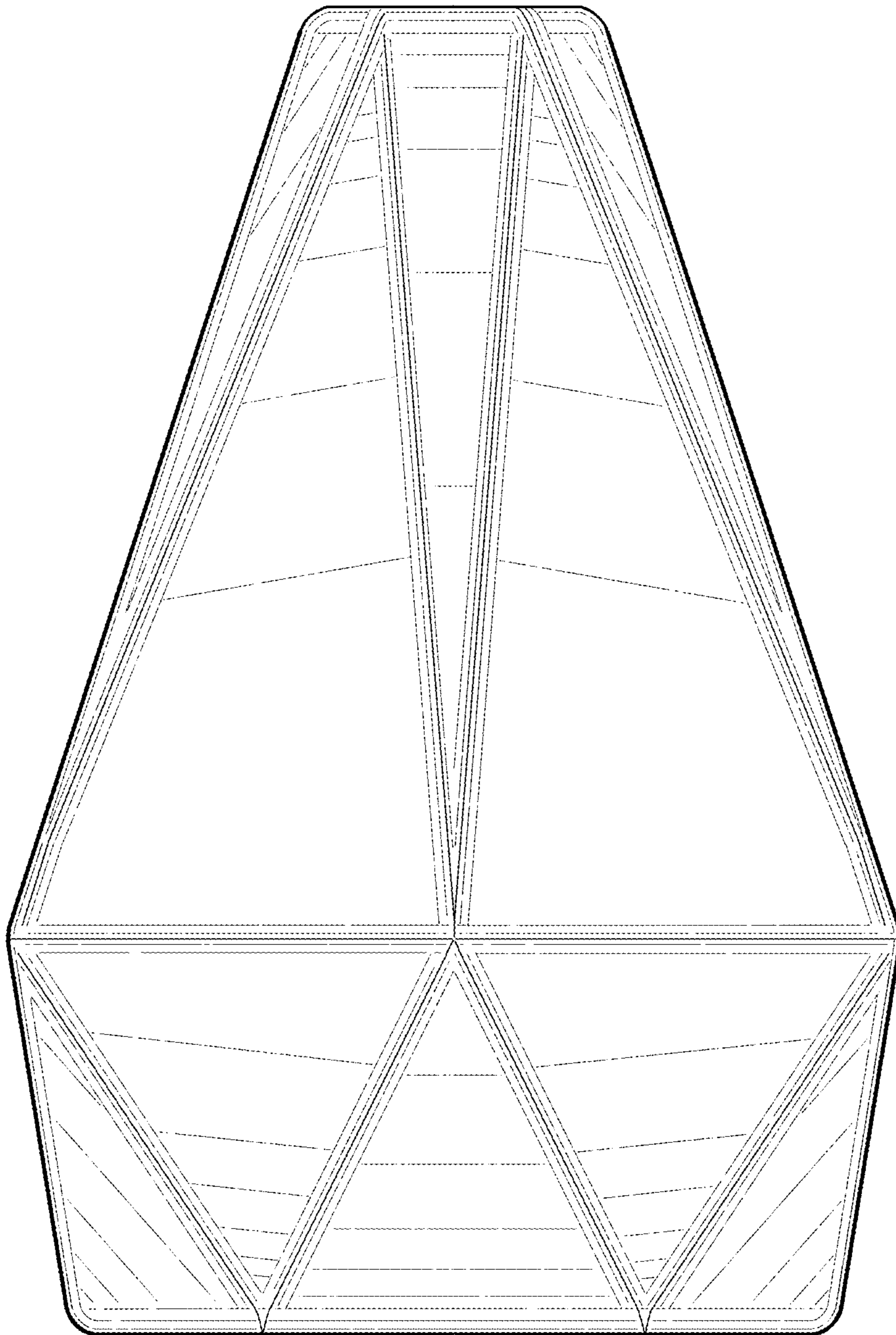


FIG.4

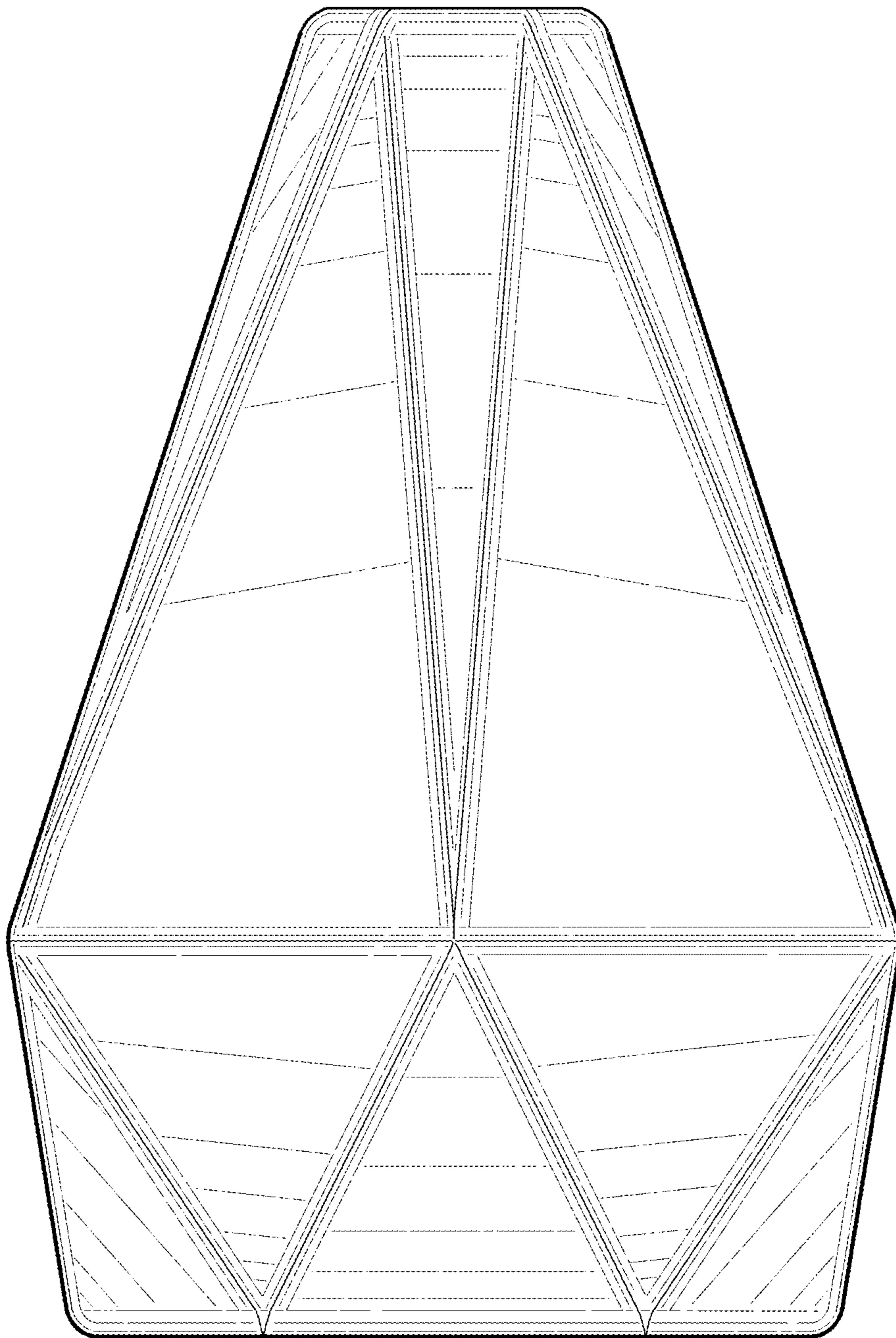


FIG.5

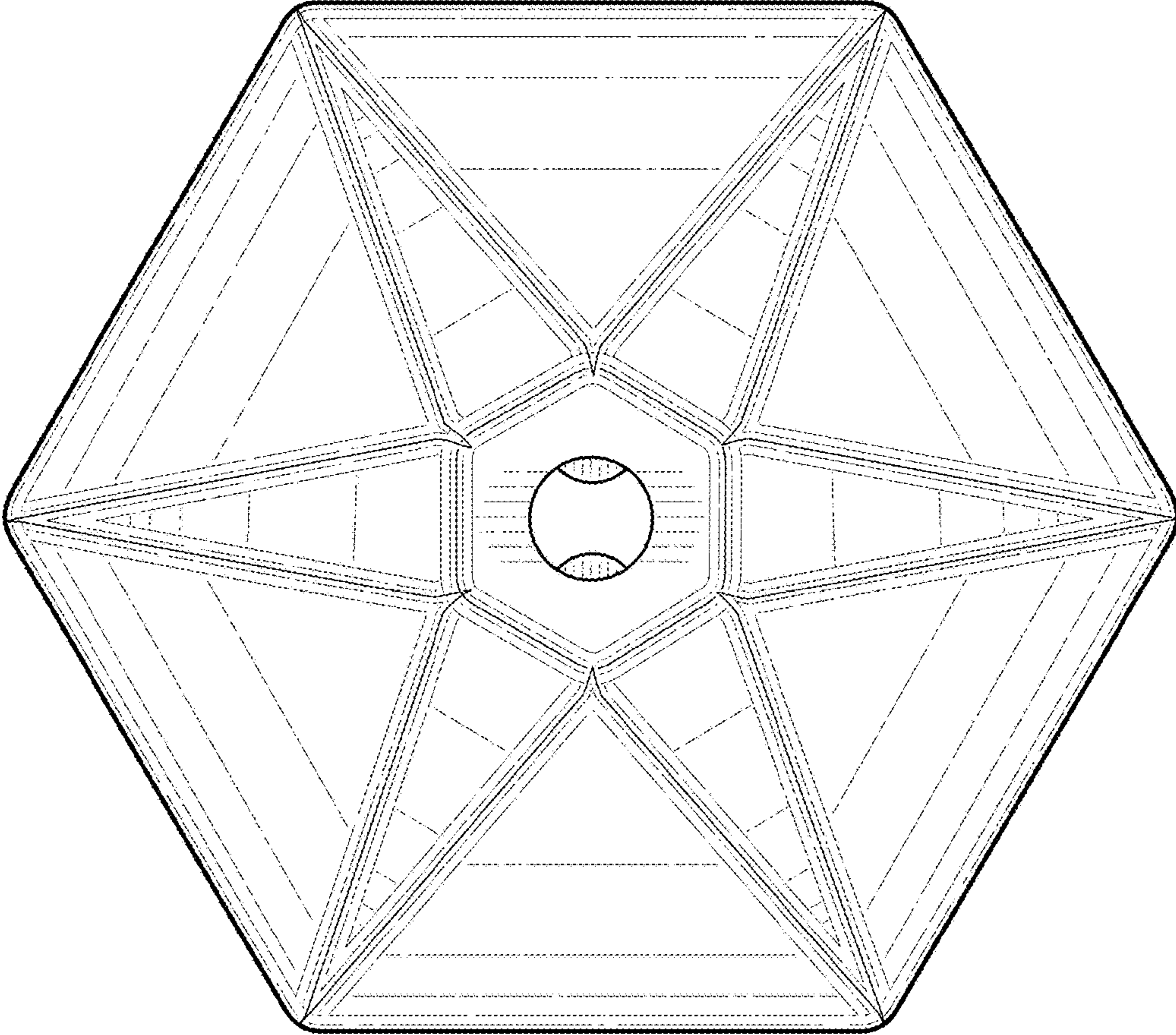


FIG. 6

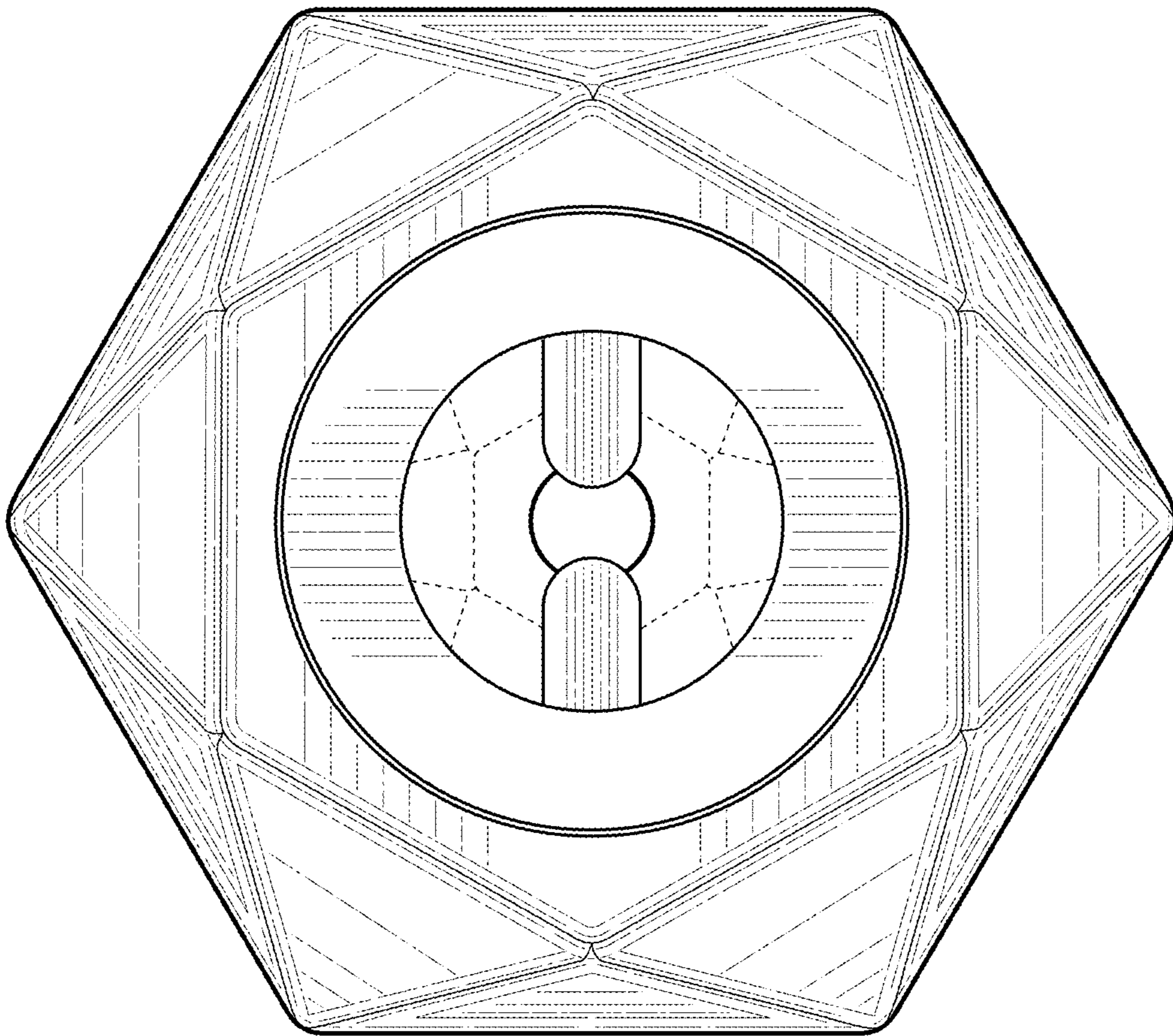


FIG. 7