



US00D832529S

(12) **United States Design Patent**
Elliott

(10) **Patent No.:** **US D832,529 S**

(45) **Date of Patent:** **** Oct. 30, 2018**

(54) **PET BOWL**

(71) Applicant: **Rhode Island Textile Company,**
Cumberland, RI (US)

(72) Inventor: **Glendon M Elliott,** Barrington, RI
(US)

(73) Assignee: **RHODE ISLAND TEXTILE**
COMPANY, Cumberland, RI (US)

(**) Term: **15 Years**

(21) Appl. No.: **29/591,246**

(22) Filed: **Jan. 18, 2017**

(51) **LOC (11) Cl.** **30-03**

(52) **U.S. Cl.**
USPC **D30/129**

(58) **Field of Classification Search**
USPC D30/121, 122, 129-133; 119/61.5, 51.01,
119/61.56, 51.03, 59, 62, 63, 51.5, 57.8,
119/74, 61.54, 61.55; 312/204; 248/151,
248/188; 108/156, 153.1-157;
220/23.87, 630, 737, 743, 9.4, 495.01,
220/574, 212, 255, 23.83; 206/515;
D7/586, 543, 550.1, 587, 505, 584, 545,
D7/500, 553.1-553.8, 546, 555, 556, 504,
D7/565, 562, 602; D9/429; 43/109;
D22/122; 99/430, DIG. 15
CPC A01K 5/0114; A01K 5/01; A01K 5/0135;
A01K 7/005; A01K 7/00; A01K 7/02;
A01K 5/0142; A01K 5/0121; A01K
5/0128; A01K 27/004; A01K 39/014;
A01K 39/00; A01K 39/02; A01K
39/0113; A47J 43/0727; A01M 29/34;
B29C 65/48; B65D 81/36

See application file for complete search history.

(56) **References Cited**

U.S. PATENT DOCUMENTS

| | | | | | |
|-----------|-----|---------|-----------|-------|---------------------------|
| 2,053,949 | A * | 9/1936 | Emery | | B65D 1/34 220/574 |
| 3,498,268 | A * | 3/1970 | Langevin | | A01K 5/0114 119/61.54 |
| 4,182,462 | A * | 1/1980 | Buff, Jr. | | A01K 5/0128 220/495.03 |
| D313,486 | S * | 1/1991 | Conner | | D30/121 |
| D313,487 | S * | 1/1991 | Conner | | D30/129 |
| D342,352 | S * | 12/1993 | Embrey | | D22/122 |
| 5,857,427 | A * | 1/1999 | Kelley | | A01K 5/0114 119/61.56 |
| D424,757 | S * | 5/2000 | Cooper | | D30/129 |
| 6,065,428 | A * | 5/2000 | Fronk | | A01K 5/0142 119/61.53 |

(Continued)

Primary Examiner — Susan Moon Lee

(74) *Attorney, Agent, or Firm* — McInnes & McLane,
LLP

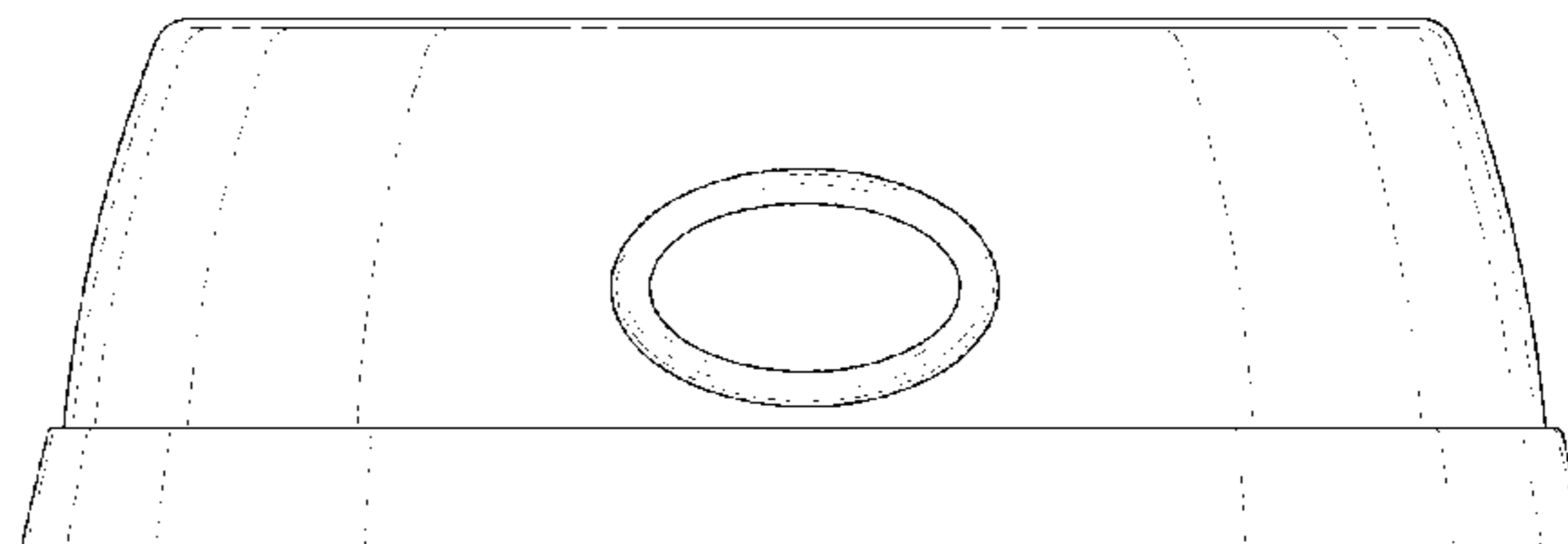
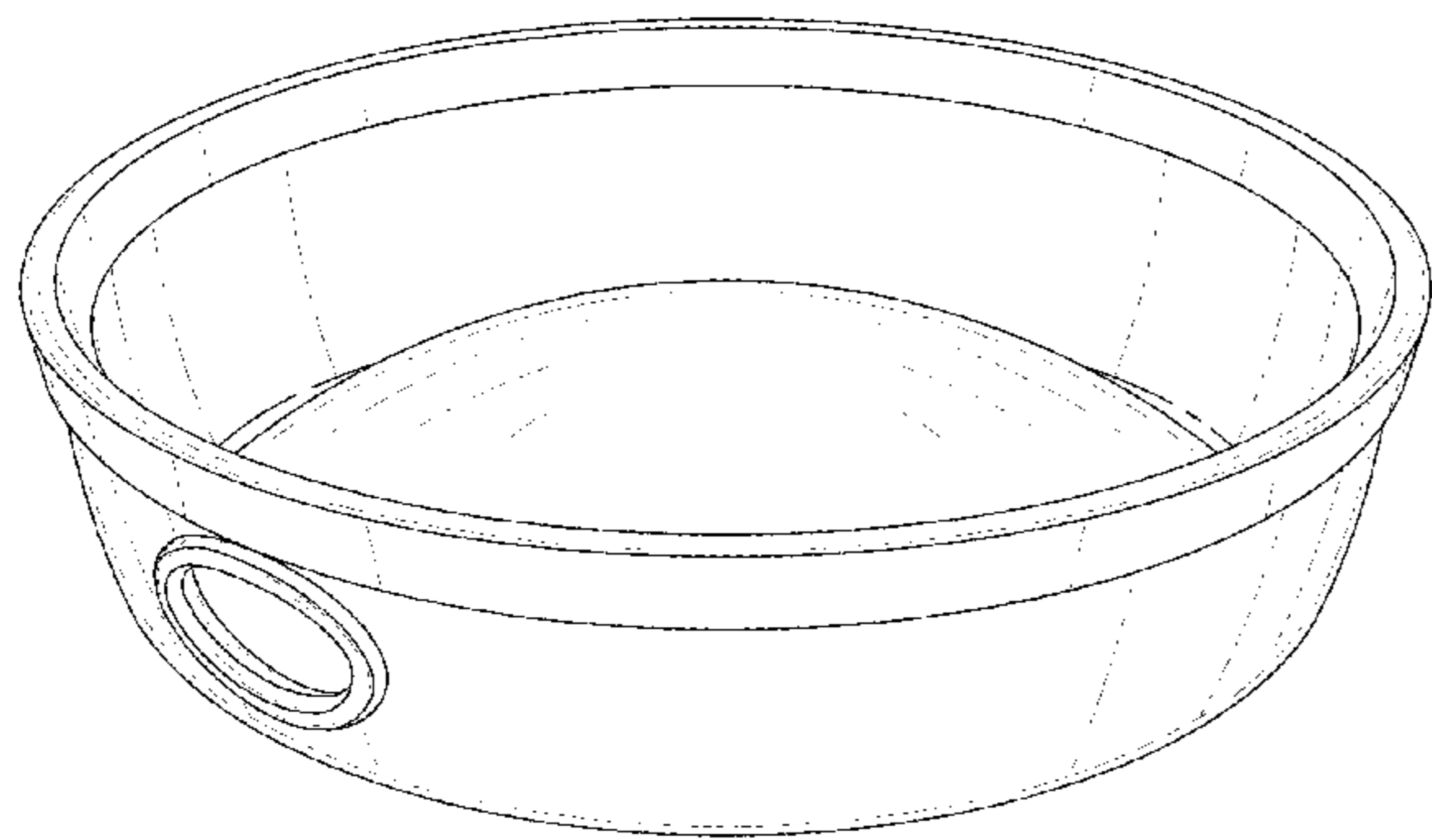
(57) **CLAIM**

I claim the ornamental design for a pet bowl, as shown and described.

DESCRIPTION

FIG. 1 is a top perspective view of an embodiment of a pet bowl showing my new design;
FIG. 2 is a bottom perspective view of the pet bowl of FIG. 1;
FIG. 3 is a top plan view of the pet bowl of FIG. 1;
FIG. 4 is a bottom plan view of the pet bowl of FIG. 1;
FIG. 5 is a front elevational view of the pet bowl of FIG. 1;
FIG. 6 is a rear view of the pet bowl of FIG. 1;
FIG. 7 is a right side elevational view of the pet bowl of FIG. 1; and,
FIG. 8 is a left side elevational view of the pet bowl of FIG. 1.
The portions shown in broken lines are included for illustrative purposes only and form no part of the claimed design.

1 Claim, 8 Drawing Sheets



(56)

References Cited

U.S. PATENT DOCUMENTS

6,314,911 B1 * 11/2001 Kaytovich A01K 5/0114
119/61.5
6,318,291 B1 * 11/2001 Wolanski A01K 5/0114
119/61.5
D504,196 S * 4/2005 Huthmaker D30/129
D563,607 S * 3/2008 Northrop D30/129
D581,604 S * 11/2008 Ragonetti D30/129
D590,551 S * 4/2009 Sperbeck D30/129
7,856,944 B1 * 12/2010 Stauffer A01K 5/0114
119/61.5
D634,486 S * 3/2011 Graham-Cretcher D30/129
D659,296 S * 5/2012 Anderson D30/129
8,534,632 B1 * 9/2013 Mancuso, Jr. A01K 97/20
248/146
D700,752 S * 3/2014 Gilkey D30/129
D721,860 S * 1/2015 Parks D30/129
9,901,075 B2 * 2/2018 Wolfe, Jr. A01K 15/026
2004/0231607 A1 * 11/2004 Hollinger A01K 5/0114
119/61.54
2010/0077963 A1 * 4/2010 Lipscomb A01K 5/0114
119/54
2010/0101499 A1 * 4/2010 Gibson A01K 7/005
119/61.5
2011/0253054 A1 * 10/2011 Hargrove A01K 5/0114
119/61.54
2012/0222624 A1 * 9/2012 Lanter A01K 5/0114
119/61.52
2014/0158054 A1 * 6/2014 Clarke A01K 5/0114
119/51.01
2015/0250138 A1 * 9/2015 McKinnon A01K 5/0128
119/61.5
2016/0255813 A1 * 9/2016 Wolfe, Jr. A01K 15/026

* cited by examiner

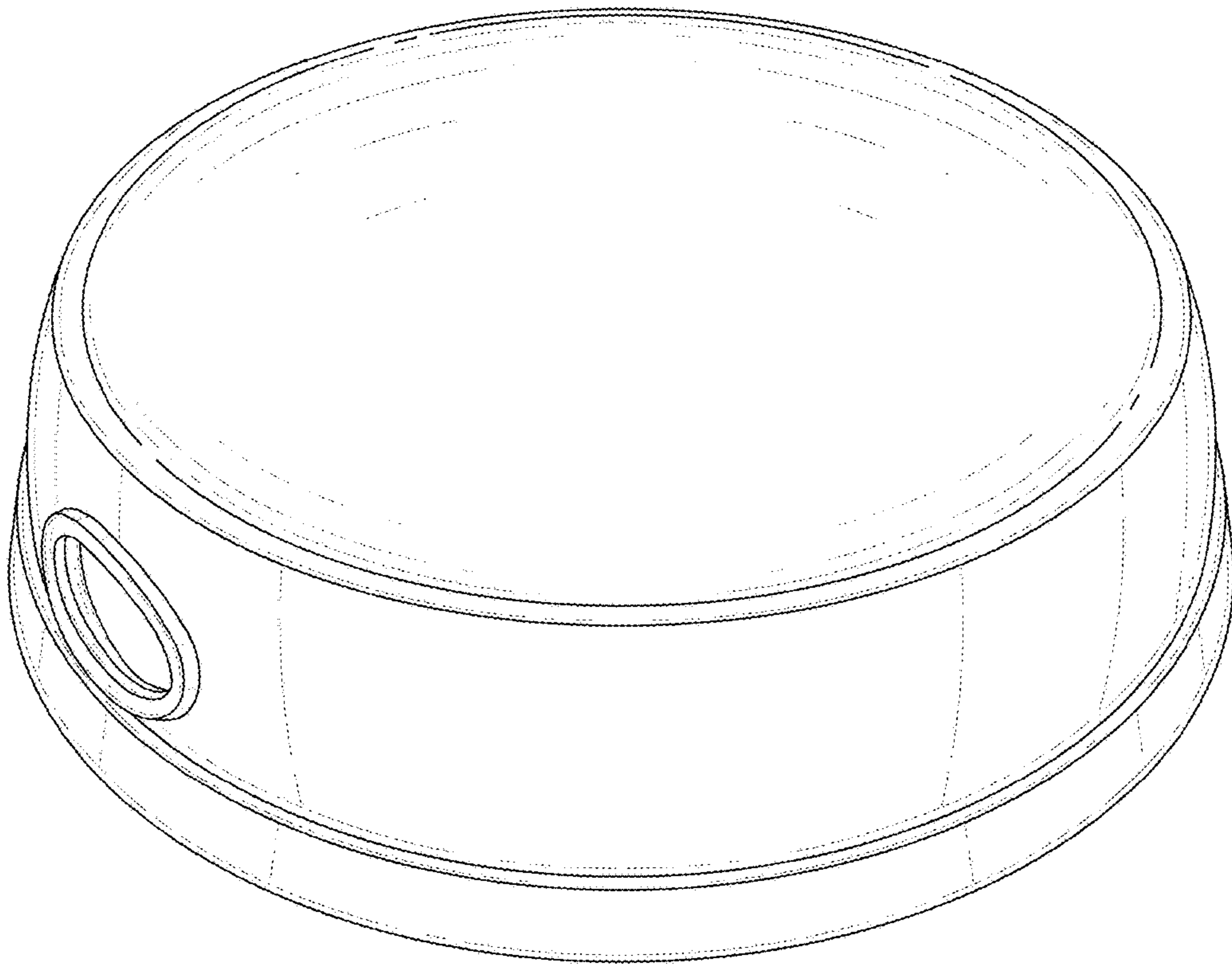


FIG. 1

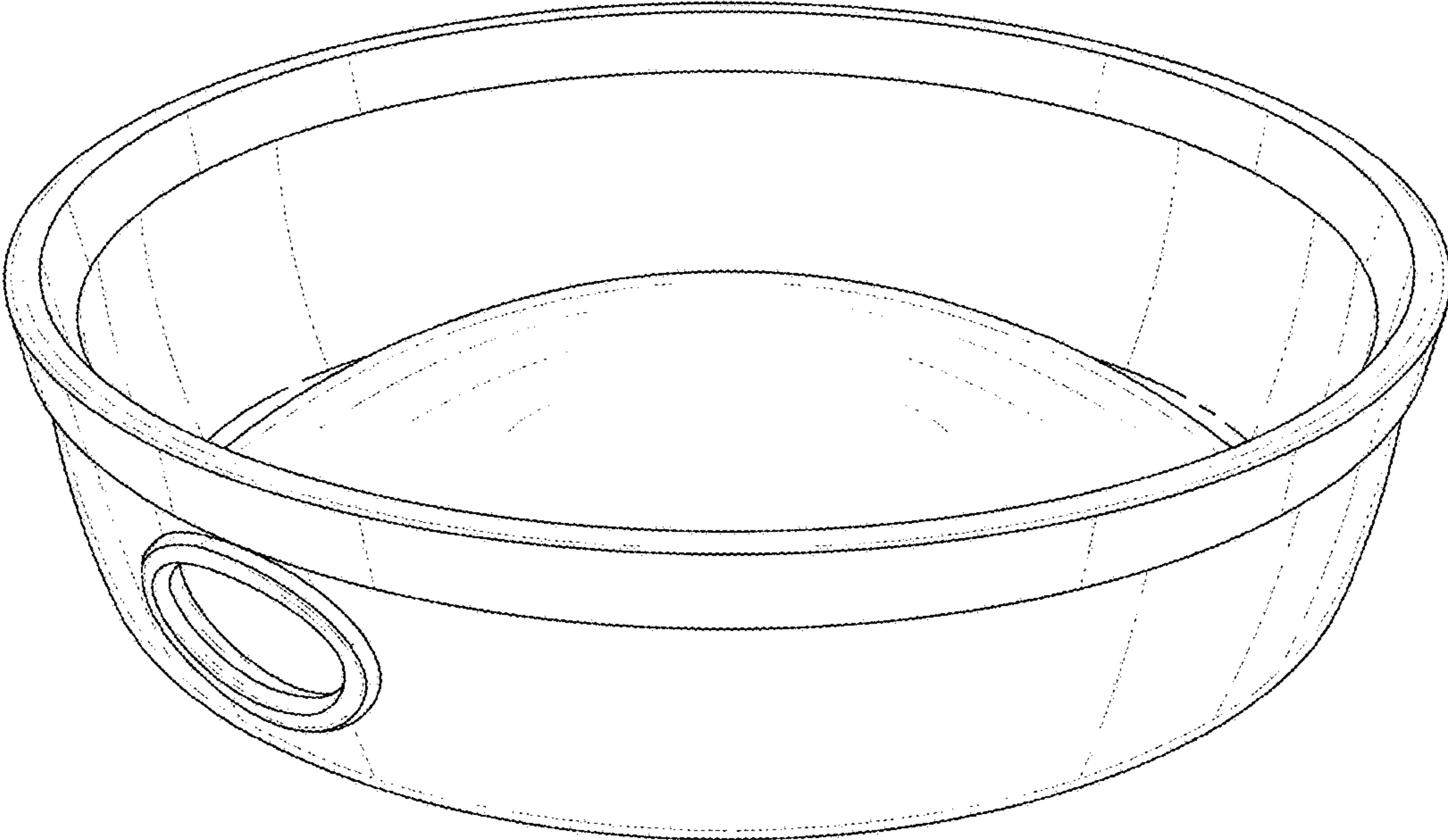


FIG.2

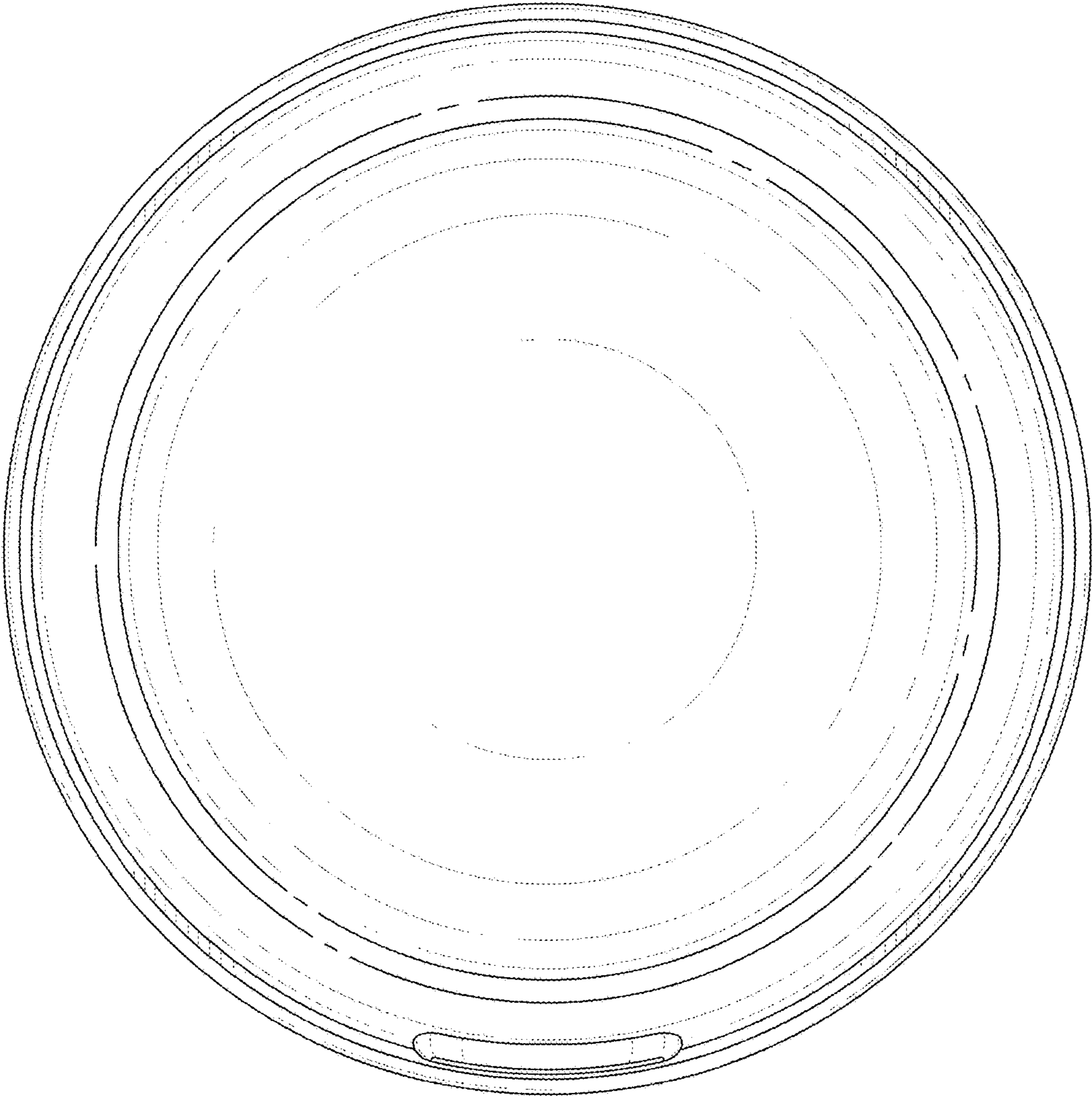


FIG.3

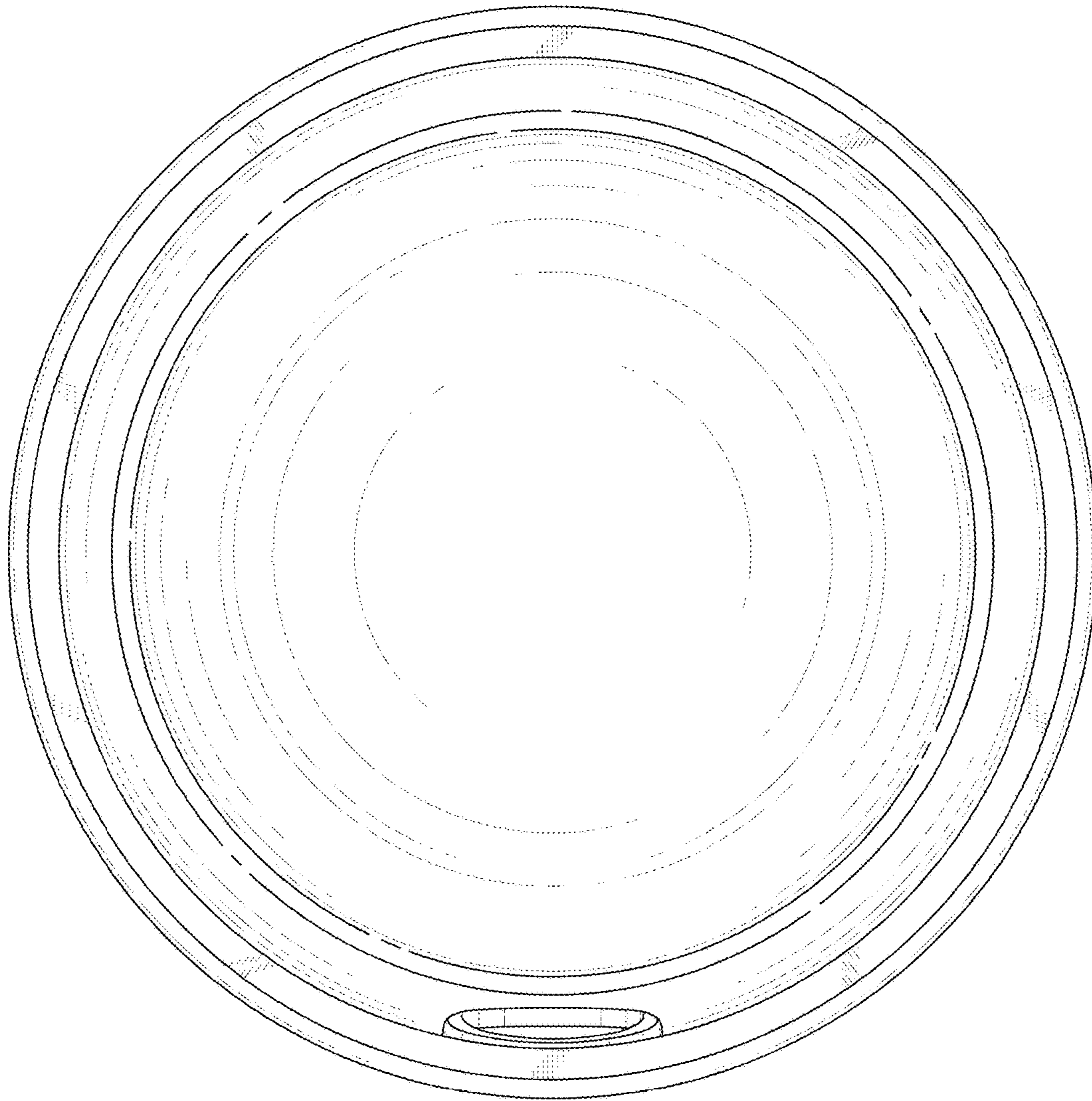


FIG.4

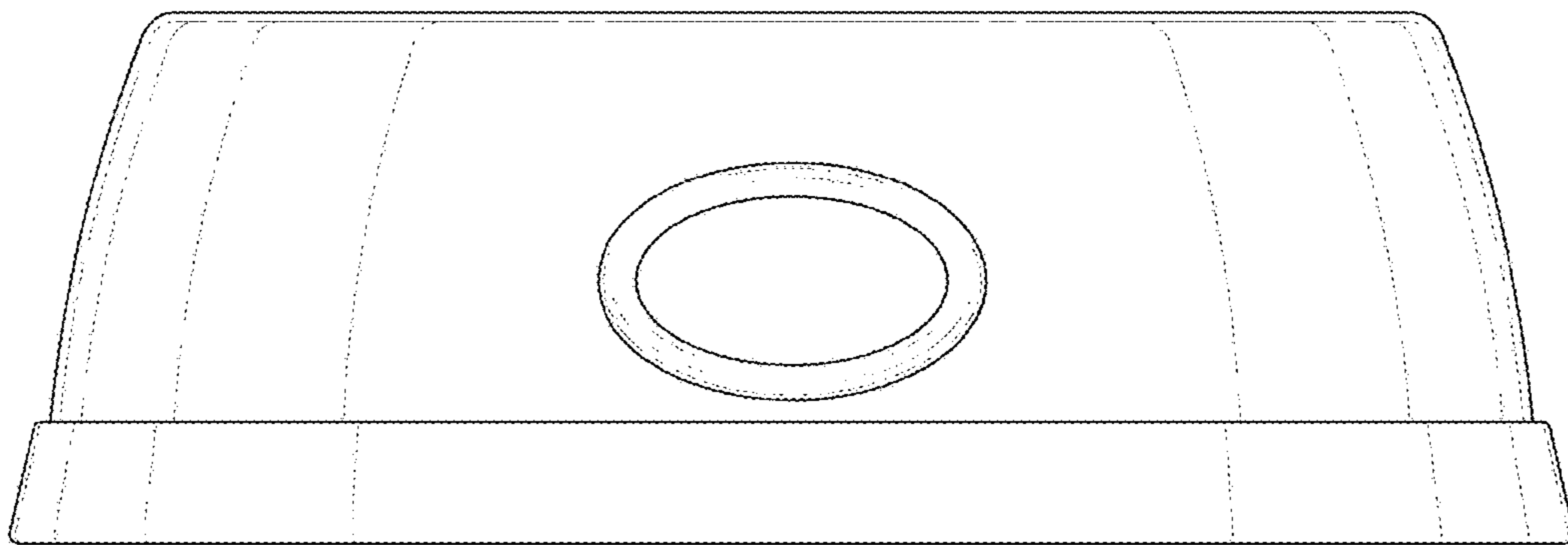


FIG.5

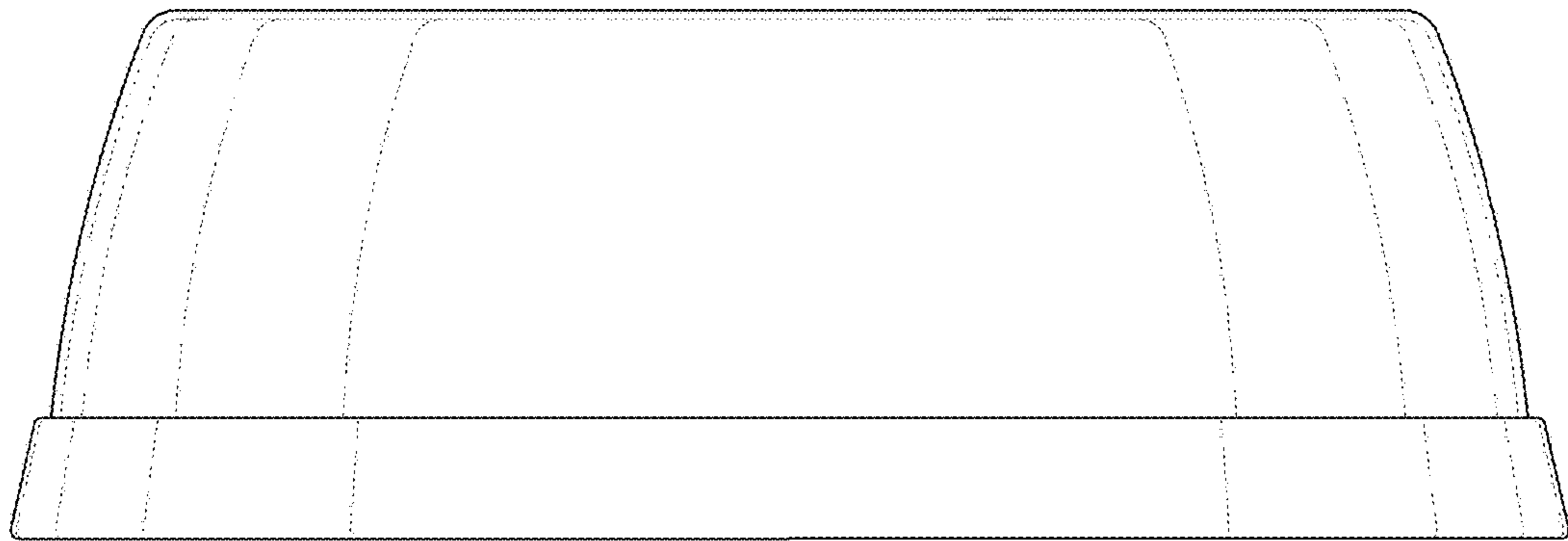


FIG. 6

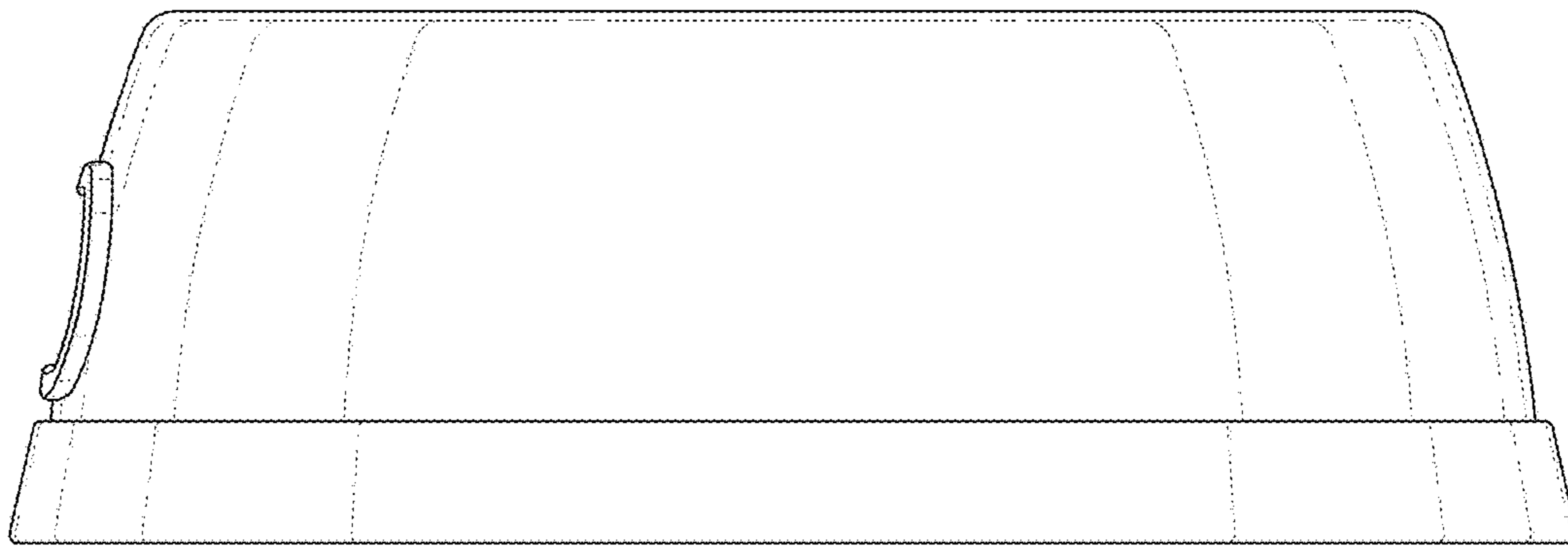


FIG. 7

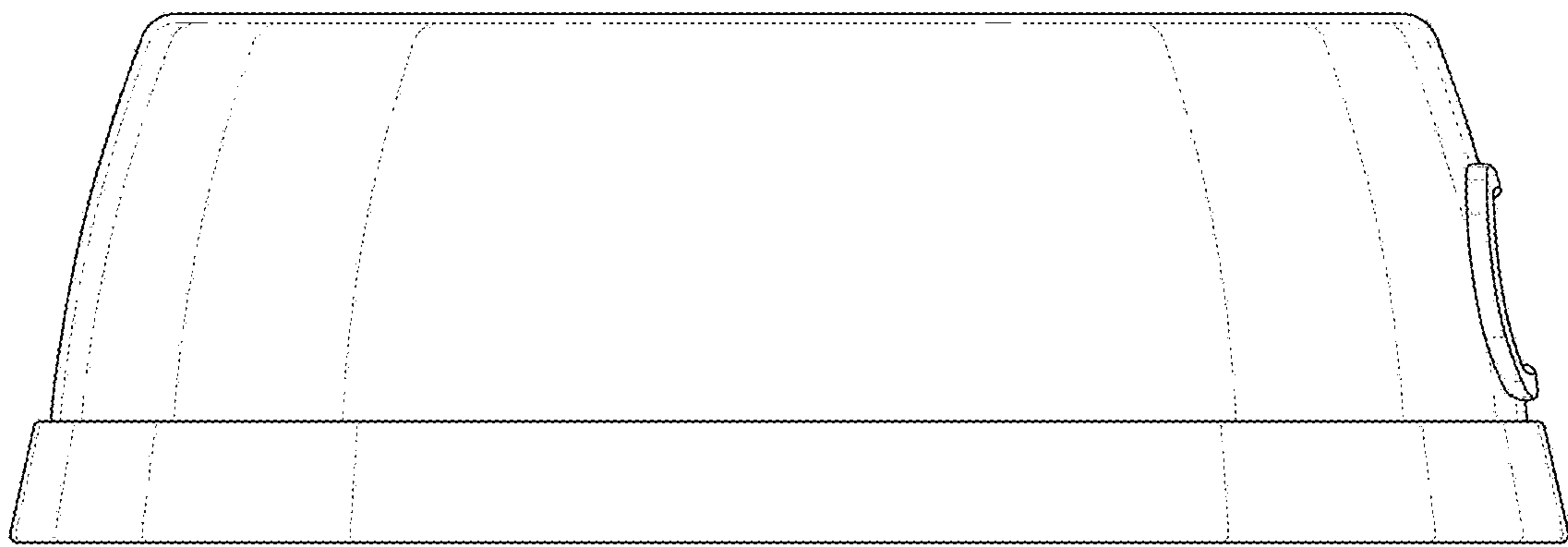


FIG. 8